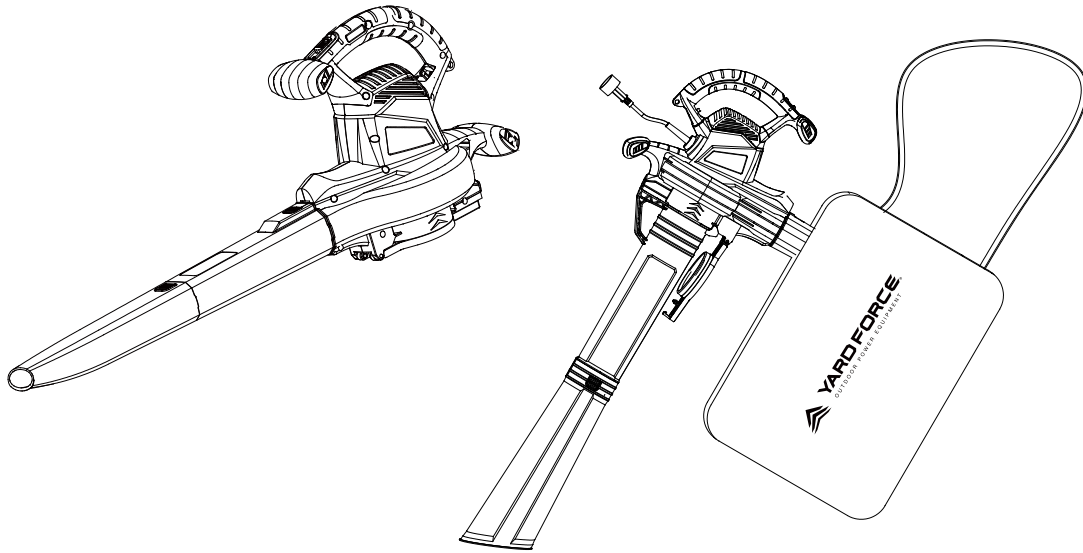




YARD FORCE[®]
OUTDOOR POWER EQUIPMENT

YF12BLV

12 AMP BLOWER/VACUUM/MULCHER OWNER'S MANUAL



Our Customer Service staff is ready to provide assistance.

In the case of a damaged or missing part, most replacement parts ship directly from Merotec USA in Atlanta or from one of our service partners in the US.

For immediate help with assembly, or for additional product information, email support@MerotecUSA.com or call 866-902-9690 M-F 8:30am – 5:00pm ET. More information can be found on www.YardForceUSA.com.



SAVE THIS MANUAL FOR REFERENCE

You will need this manual for safety instructions, operating procedures, and Warranty.



The original sales receipt is required for warranty service.

YARD FORCE

YF12BLV Original Instructions

TABLE OF CONTENTS

General Information	3
Intended Use	3
Explanation of Symbols	4
Safety Instructions	5
Part List	9
Technical Data	10
Assembly	11
Operation	14
Storage and Maintenance	18
Troubleshooting	19
Warranty	20

GENERAL INFORMATION

GENERAL INFORMATION

IMPORTANT SAFETY INSTRUCTIONS SAVE ALL WARNINGS AND INSTRUCTIONS FOR FUTURE REFERENCE.



WARNING! All operators must read these instruction before use. Failure to follow the warnings and instructions may result in electric shock, fire and/or serious injury.

READING AND STORING THE OPERATING MANUAL



This operating manual is a part of the electric blower(also called device). It contains important information on how to set up and use the product.

Before using the device, read the operating manual carefully, in particular the safety instructions. Failure to follow this operating manual may lead to severe injuries or product damage. Keep this operating manual for future reference. If you pass this device on to a third party, you must also supply this operating manual.

INTENDED USE

The electric blower vac is intended for blowing, vacuuming and mulching dry leaves, grass and yard debris.

Carefully remove the tool from its packaging and check that the following parts are present:

- Blower vac
- Upper and lower blower tube
- Upper and lower vacuum tube with wheel
- Collection bag

If any parts are missing or damaged, please contact Customer Service at 1-866-902-9690.



WARNING

Some dust created by power sanding, sawing, grinding, drilling and other construction activities contains chemicals known to the state of California to cause cancer, birth defects or other reproductive harm. Some examples of these chemicals are:

- Lead from lead - based paints
- Crystalline silica from bricks and cement and other masonry products, and
- Arsenic and chromium from chemically -treated lumber.












Your risk from these exposures varies,depending on how often you do this type of work.To reduce your exposure to these chemical:

work in a well ventilated area,and work with approved safety equipment,such as those dust masks that are specially designed to filter out microscopic particles.

For more information go to www.P65warnings.ca.gov.

EXPLANATION OF SYMBOLS

EXPLANATION OF SAFETY SYMBOLS

	<p>WARNING: Please read all of the safety and operating instructions carefully before using this tool. Please pay particular attention to all sections of this User Manual that carry warning symbols and notices. Some of the following symbols may be used on this tool.</p>
	<p>Observe caution and safety notes.</p>
	<p>To reduce the risk of injury, user must read and understand User Manual before using this tool.</p>
	<p>Wear hearing protection. Wear eye protection. Wear breathing protection.</p>
	<p>The rotating part will continuously run for several seconds after you turn off the machine.</p>
	<p>Switch off and remove plug from power source before cleaning or maintenance.</p>
	<p>Do not use in the rain or leave outdoors while it is raining.</p>
	<p>Keep bystanders away.</p>
	<p>Don't touch the inlet and outlet when the vacuum cover is opened or the tube is removed.</p>
	<p>Double insulation</p>
	<p>Remove plug from the power source immediately if the power cord is damaged or cut.</p>

SAFETY INSTRUCTIONS

SAFETY INSTRUCTIONS



WARNING!

When using electric gardening tools, basic safety precautions must always be followed to reduce the risk of fire, electric shock, and serious injury, including the following:

READ ALL INSTRUCTIONS BEFORE USE

A. FOR DOUBLE-INSULATED BLOWER VAC

1) Replacement Parts

When servicing, use only manufacturer approved replacement parts.

2) Polarized Plugs

To reduce the risk of electric shock, this blower vac has a polarized plug (one prong is wider than the other) and will require the use of a polarized extension cord. The blower vac plug will fit into a polarized extension cord only one way. If the plug does not fit fully into the extension cord, reverse the plug. If the plug still does not fit, obtain a correct polarized extension cord. A polarized extension cord will require the use of a polarized wall outlet. This plug will fit into the polarized wall outlet only one way. If the plug does not fit fully into the wall outlet, reverse the plug. If the plug still does not fit, contact a qualified electrician to install the proper wall outlet. Do not change the equipment plug, extension cord receptacle, or extension cord plug in any way.

B. FOR BLOWER VAC

1) Avoid Dangerous Environment – Don't use in damp or wet locations.

2) Don't use in rain.

3) Keep all other people, including children, pets and bystanders outside the 50 feet hazard zone. Stop the blower vac immediately if you are approached.

4) Dress Properly – Do not wear loose clothing or jewelry. These can be caught in moving parts. Use of rubber gloves and substantial footwear is recommended when working outdoors. Wear protective hair covering to contain long hair.

5) Wear eye protection – Always use face or dust mask if operation is dusty.

6) Use Right Blower Vac – Do not use blower vac for any job except that for which it is intended.

7) Ground Fault Circuit Interrupter (GFCI) protection should be provided on the circuit(s) or outlet(s) to be used for the blower vac. Receptacles with built-in GFCI protection should be used for safety.

8) Warning – To reduce the risk of electric shock, use only with an extension cord intended for outdoor use, such as an extension cord of cord type

SW-A, SOW-A, STW-A, STOW-A, SJW-A, SJOW-A, SJTW-A, or SJTOW-A.

9) Extension Cord – Make sure your extension cord is in good condition. When using an extension cord, be sure to use one heavy enough to carry the current your product will draw. An undersized extension cord will cause a drop in line voltage resulting in loss of power and overheating. If in doubt, use the next heavier gauge. The smaller the gauge number, the heavier the cord.

SAFETY INSTRUCTIONS

SELECT AN EXTENSION CORD

Table 1

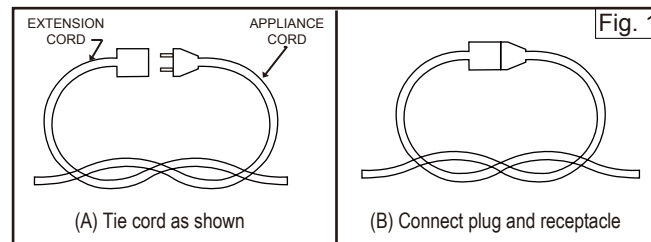
AMP RATING \ AWG	Total Extension Cord Length (in Feet)			
	25'	50'	100'	150'
0-6	18 Gauge	16 Gauge	16 Gauge	12 Gauge
6-10	18 Gauge	16 Gauge	14 Gauge	12 Gauge
10-12	16 Gauge	16 Gauge	14 Gauge	12 Gauge
12-16	14 Gauge	12 Gauge	Not Recommended	

To reduce the risk of disconnection of blower vac cord from the extension cord during operation:

i) Make a knot as shown in Fig. 1;

ii) Use one of the plug-receptacle retaining straps or connectors described in this guide.

- 10) **Avoid Unintentional Starting** – Don't carry plugged-in blower vac with finger on On/Off switch. Be sure switch is off before plugging in.
- 11) **Handle cord carefully** – Never carry blower vac by cord or yank it to disconnect from power source. Keep cord away from heat, oil, and sharp edges.



- 12) **Don't Force Blower Vac** – It will do the job better and with less likelihood of a risk of injury at the rate for which it was designed.
- 13) **Don't Overreach** – Keep proper footing and balance at all times.
- 14) **Stay Alert** – Watch what you are doing. Use common sense. Do not operate tool when you are tired or under the influence of alcohol, drugs or medications that cause drowsiness.
- 15) **Disconnect Blower Vac** – Disconnect the blower vac from the power supply when not in use, before servicing, when changing accessories such as blower tubes.
- 16) **Keep guards in place and in working order.**
- 17) **Keep hands and feet away from blowing area.**



WARNING!

To reduce the risk of fire, electric shock, or injury:

Additional Safety Warnings

1. Do not leave tool unattended when plugged in. Unplug from outlet when not in use and before servicing.
2. To reduce the risk of electric shock, do not expose to rain. Store indoors. Do not use on wet surfaces.
3. Do not allow blower to be used as a toy. Close attention is necessary when used by or near children.

SAFETY INSTRUCTIONS

4. Use only as described in the manual. Use only manufacturer's recommended attachments.
5. Do not use with damaged cord or plug. If tool is not working as it should, has been dropped, damaged, left outdoors, or dropped into water, take it to a service center.
6. Do not pull or carry by cord, use cord as a handle, close a door on cord, or pull cord around sharp edges or corners. Do not run tool over cord. Keep cord away from heated surfaces.
7. Do not unplug by pulling on cord. To unplug, grasp the plug, not the cord.
8. Do not handle plug or tool with wet hands.
9. Do not put any object into openings. Do not use with any opening blocked; keep free of dust, lint, hair and anything that may reduce air flow.
10. Keep hair, loose clothing, fingers, and all parts of body away from openings and moving parts.
11. Turn off all controls before unplugging.
12. Use extra care when cleaning on stairs.
13. Do not use to pick up flammable or combustible liquids, such as gasoline, or use in areas where they may be present.

SAVE THESE INSTRUCTIONS

1. Refer to User Manual frequently and use it to instruct others who may use this tool. If someone borrows this tool, make sure they have these instructions.
2. This tool is provided with double insulation. Use only manufacturer approved replacement parts. See Maintenance on Page 18.
3. Unplug before connecting the debris collection bag.

When using vacuum mode:

1. Do not pick up anything that is burning or smoking, such as cigarettes, matches, or hot ashes.
2. Do not use without dust bag and/or filters in place.

Getting Started

Identify all the parts packaged in the carton against the parts list. Remove all protective materials and place parts on a non-abrasive surface to avoid scratching. Please contact our customer service center (Monday-Friday 8:30AM-5:00PM ET) at 1-866-902-9690 if anything is missing.

Caution

Read all the instructions before assembly. Failure to do so may result in correct assembly and potential injury! Assemble product on a soft, non-abrasive surface such as carpet or cardboard to avoid damaging the item. Seek assistance to assemble bulky or heavy items.

Warning

1. Keep children and bystanders away while operating a power tool. Distractions cause a loss of control.
2. The tool's plug must match the outlet. Never modify the plug in any way. Do not use any adapter plugs with grounded power tools. Unmodified plugs and matching outlets will reduce risk of electric shock.
3. Use personal protective equipment. Always wear eye protection. Protective equipment such as dust mask, non-skid safety shoes, hard hat, or hearing protection used for appropriate conditions will reduce personal injuries.
4. Before using the tool and after any impact, check for signs of wear or damage, and repair as necessary.

SAFETY INSTRUCTIONS



WARNING!

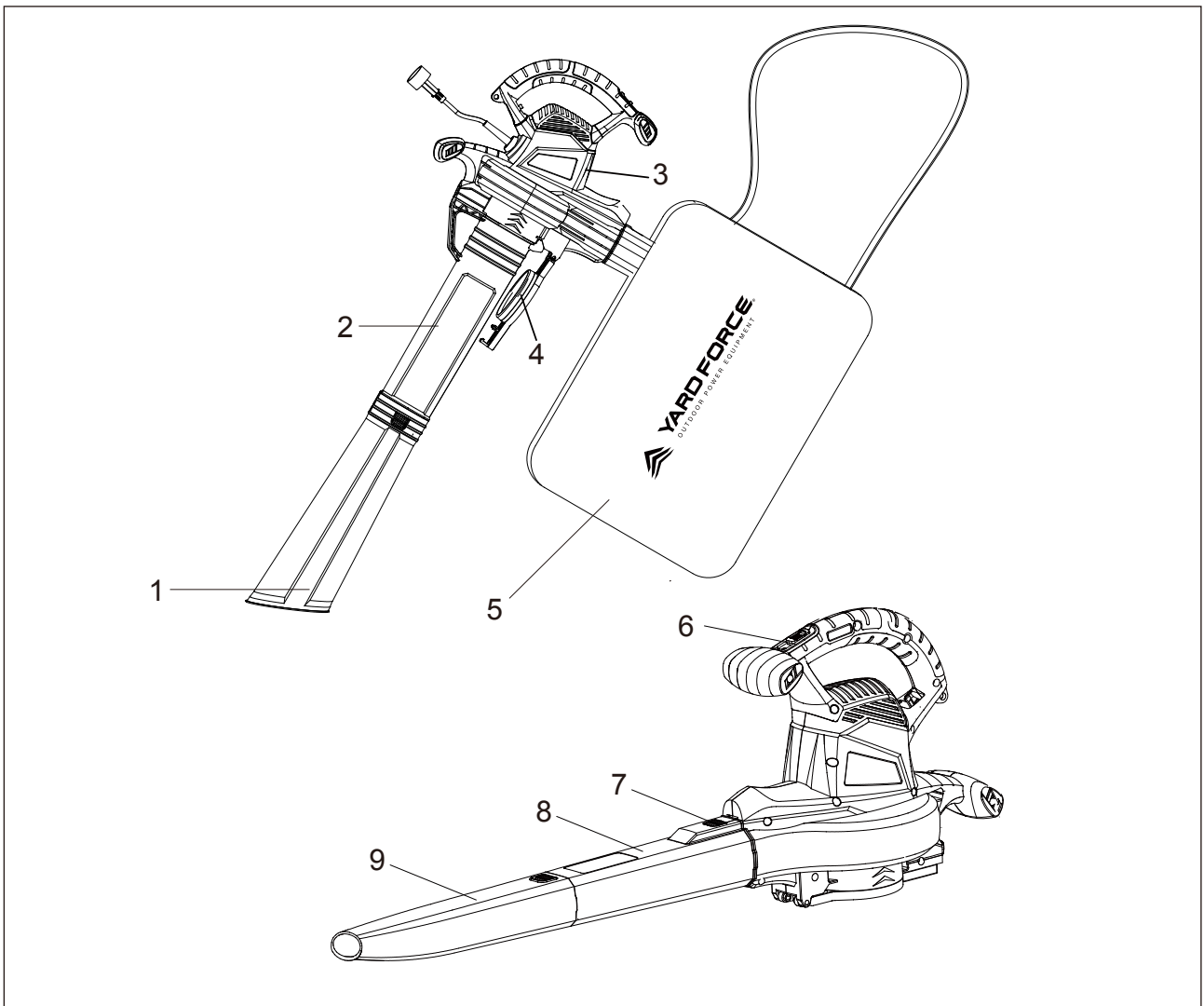
A garden vacuum-blower is not a wet suction tool! Please avoid the suction of wet materials (leaves and dirt), since this can lead to blockage of the shredder chamber and reduced performance.

5. The tool is designed only for the suction and blowing of dry leaves in private households and as a hobby tool in the garden. Any other utilization, which is not explicitly approved in these directions, can lead to damage to the tool and represent a serious danger to the user.
6. The tool **MUST NOT** be employed in areas where there is health endangering debris or as a wet suction tool.
7. The tool is designed for use by adults. Young people over 16 years may use the tool under supervision only.
8. The manufacturer is not liable for damage which is caused through inappropriate use or incorrect operation.

NOTE: Do not use any low power tools for heavy work.

PARTS LIST

KNOW YOUR 12 AMP BLOWER/VACUUM/MULCHER



1. Lower vacuum tube
2. Upper vacuum tube
3. Motor housing assembly
4. Vacuum cover
5. Collection bag
6. On/Off switch
7. Blower tube lock button
8. Upper blower tube
9. Lower blower tube

TECHNICAL DATA

Dimension	
Model #	BV-14EG-12A
Input Voltage Rating	120 V~60Hz
Amperage	12 AMP
No Load Speed	11000/15000 RPM
Max Blower Air Speed	155/245 MPH
Max Vacuum Air Volume	365 CFM
Collection Bag Capacity	2 Bushels

ASSEMBLY

ASSEMBLY FOR BLOWER MODE

1. Attaching the blower tube (Fig. 3 & 4)

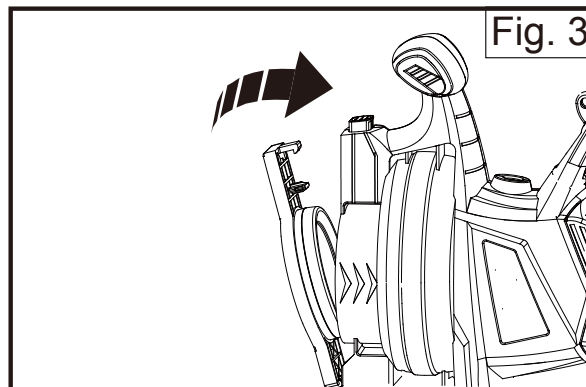


WARNING!

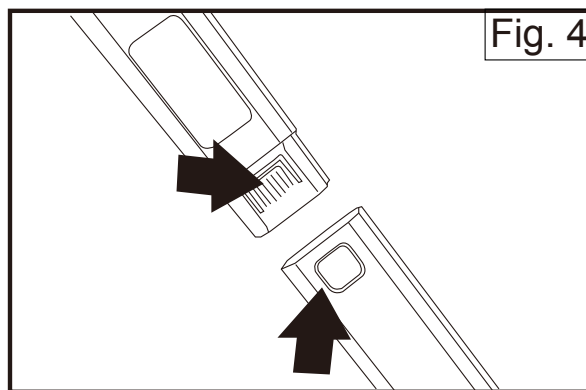
Ensure product is switched off and disconnected from the power supply when assembling or changing configuration.

Ensure vacuum cover is attached to the motor housing. If not, attach cover as shown in Fig. 3.

NOTE: Tool will not operate in blower mode without vacuum cover in place.

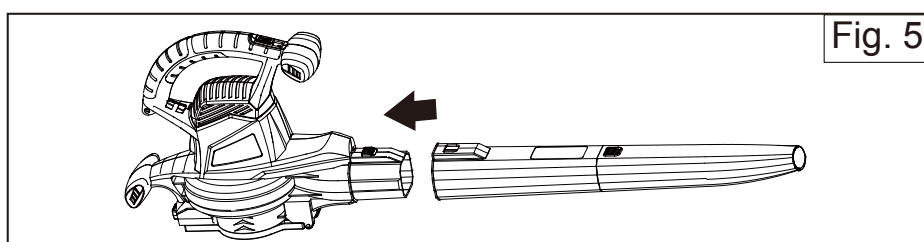


2. Push the lower tube firmly into the upper tube, until the tubes "clicks" into place.



3. Push blower tube forward until the lock button on the blower housing "clicks" into the slot on the tube as shown in Fig. 5.

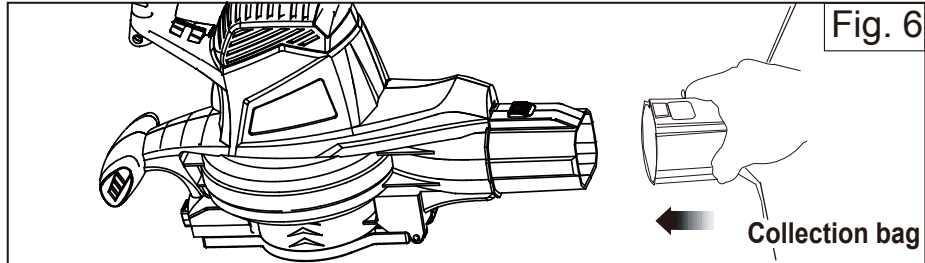
NOTE: Blower tube must be assembled to the motor housing before use. Never operate without tube assembled.



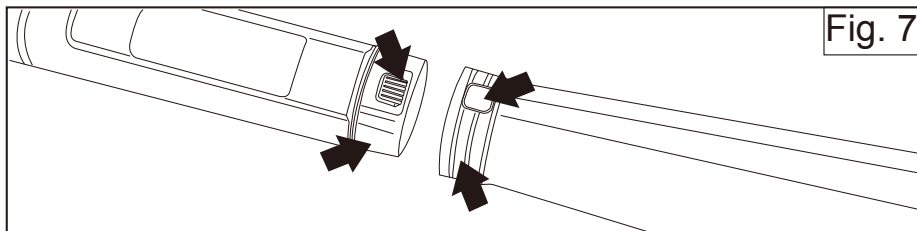
ASSEMBLY

ASSEMBLY FOR VACUUM MODE

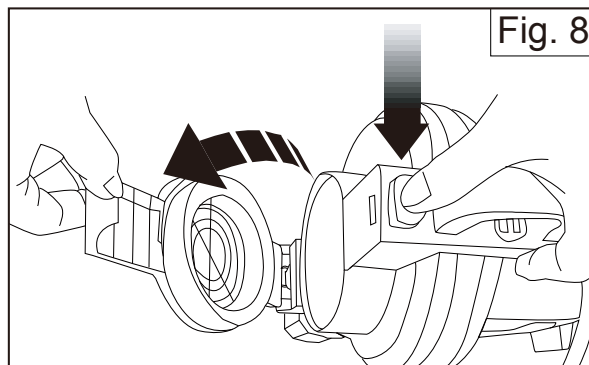
1. Attach the push-on collection bag connector to the outlet tube of the housing. Push the fitting of the collection bag directly onto the outlet until it “clicks” into position as shown in Fig. 6.



2. Push the lower tube firmly in to the upper tube, until the tubes “click” into place (Fig. 7).

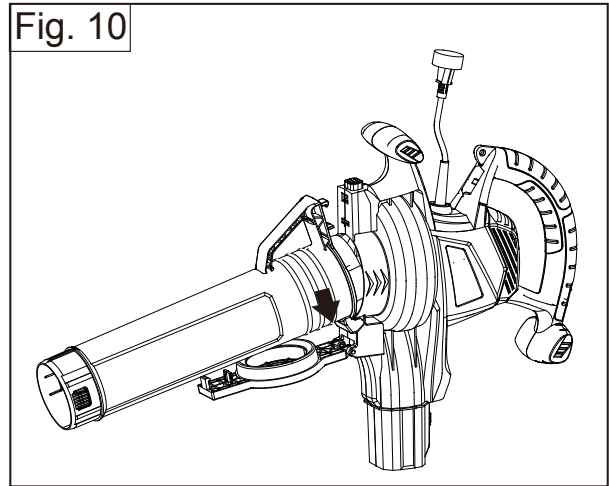
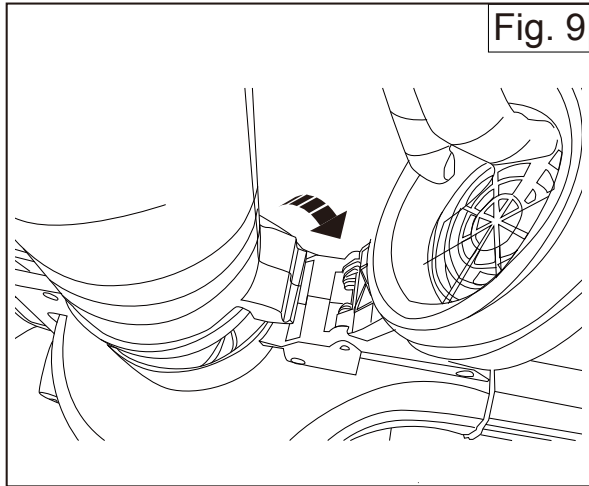


3. Open the vacuum cover from the bottom of the motor housing by depressing the lock button and pulling the cover down (Fig. 8).

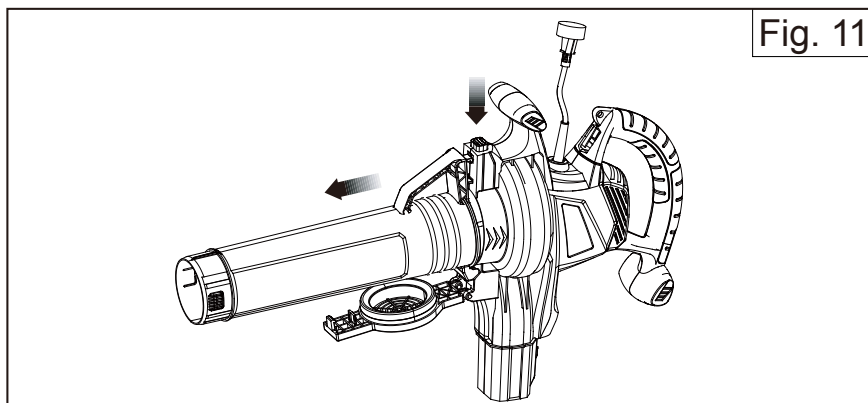


ASSEMBLY

4. Attach the upper vacuum tube assembly to the motor housing by inserting the assembly tab as indicated (Fig. 9). Next, pivot tube from this point until the locking/release catch "clicks" and is fully engaged (Fig.10).



5. To remove the vacuum tube, depress and hold the lock button then pivot the tube away from the lock button (Fig. 11).



OPERATION

OPERATION



WARNING!

Flying debris can cause serious personal injury to the operator, bystanders or pets. Keep bystanders and pets at least 15 feet away from the area of work and always wear suitable eye and ear protection, long pants and sturdy shoes or boots while operating the tool.

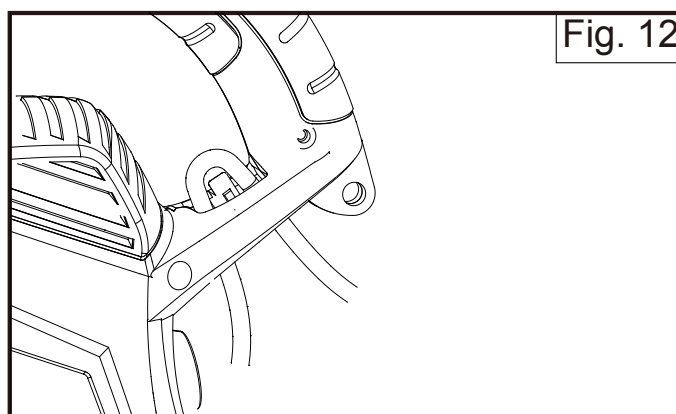
USE OF EXTENSION CORD



WARNING!

A damaged extension cord can cause electric shock or a fire. Please inspect the extension cord periodically. The tool must not be used if the cord is damaged in any way. Replace a damaged extension cord before use.

1. Use a heavy duty extension cord, labeled and suitable for outdoor use. An ordinary duty extension cord will cause loss of power and may overheat.
2. Keep the extension cord behind you, away from the area of operation.
3. Use the extension as shown in Fig. 12.



Operation of the Blower Vac

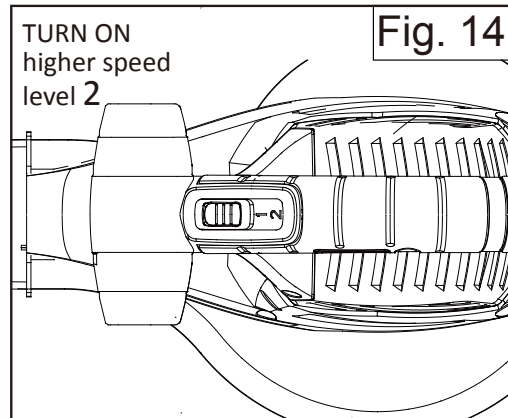
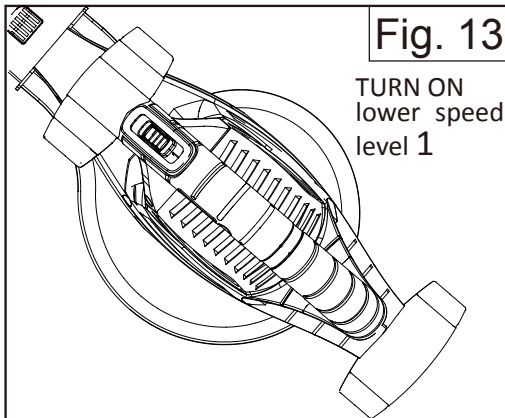
The blower vac is fitted with a variable speed switch located on the top of the motor housing below the handle. Prior to using the blower vac, ensure you have read and understood this User Manual.

Ensure you are wearing suitable clothing and also safety equipment like safety glasses, ear protection and mask if necessary. Ensure the attachments to the blower vac are correctly fitted and adjusted. Be aware of other people and animals in the area where you will be operating the blower vac.

OPERATION

To Turn the Blower Vac On

1. Plug the power cord into an approved electrical extension cord, and connect to the power source.
2. To turn the tool On and select lower speed level, push the switch button to position “1”, see Fig. 13.
3. To turn the tool On and select higher speed level, push the switch button to position “2”, see Fig. 14.

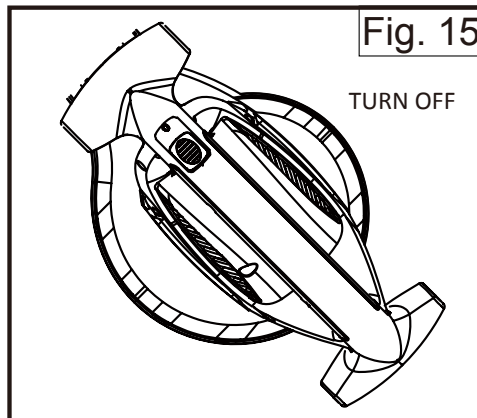


WARNING!

Hold the blower vac firmly on start up.

To Turn the Blower Vac Off

To turn tool Off, pull the switch button back to position “0” (Fig. 15).



IMPORTANT: After you have turned the blower vac off, do not leave tool plugged into the power source.

OPERATION



WARNING!

The tool runs for approximately 5 seconds after it has been switched off. Let the motor come to a complete standstill before setting the tool down.

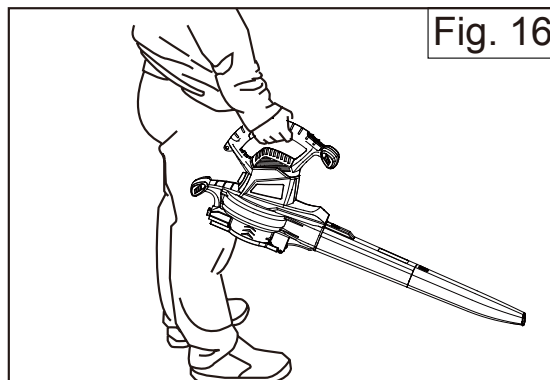


WARNING!

Ensure product is switched off and disconnected from the power supply when assembling or changing configuration.

Blower Mode (Fig. 16)

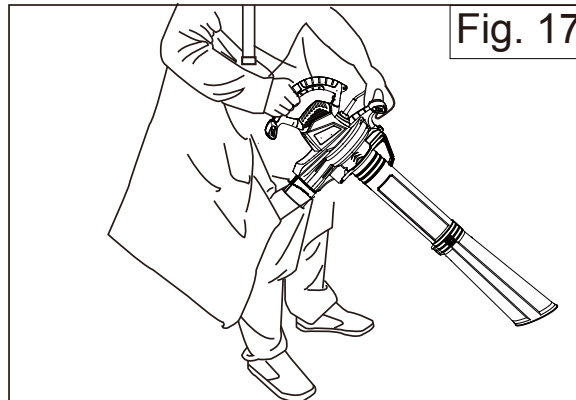
- Close vacuum cover firmly.
- Attach the blower tube assembly to the motor housing.
- Connect extension cord to the tool, then plug into power supply.
- Hold the blower tube approximately 2 to 4 inches above the ground, turn the blower vac on and using a sweeping motion from side to side, advance slowly keeping the accumulated debris/leaves in front of you.
- Once you have blown the debris/leaves into a pile, you can convert to vacuum mode to collect the debris.



Vacuum Mode (Fig. 17)

- Remove blower tube.
- Attach the vacuum tube.
- Attach the collection bag to the motor housing.
- Connect extension cord to the tool, then plug into power supply.
- Position the tube slightly above the debris/leaves. Turn the blower vac on, then using a sweeping motion the debris/leaves will be sucked up the tube, mulched and deposited into the collection bag.
- As the bag fills the power of the suction will decrease, turn the blower vac off and unplug from power supply and remove the bag from the machine to empty the bag.

OPERATION



WARNING!

Always make sure the collection bag is correctly attached.

Always be aware of what is being drawn up into the blow/vacuum tube. This product is only designed for garden debris like leaves and soft garden cuttings.

To Empty the Collection Bag

The collection bag is attached to the blower vac in two places. It is not necessary to remove the collection bag from the blower vac when the bag needs to be emptied. The rear of the bag has a full length zipper. Simply open the zipper and empty the contents. Ensure to close the zipper prior to operating the blower vac again.



WARNING!

Normal usage of the bag causes it to wear and deteriorate over time. A worn or deteriorated bag allows small objects to be thrown through the bag, possibly injuring the operator or bystanders. Check the bag frequently. If it is worn or deteriorated, replace it with a new vacuum bag.

Operating Tips

The following points may assist you in the operation of the blower vac. Always try to vacuum dry leaves, cuttings or general garden debris. Wet materials are difficult to mulch and can cause the blower vac to clog. If the leaves or other debris are damp, then use the blower vac in blow configuration to pile the leaves or other debris into one area, vacuum and mulch the leaves when dry. Avoid using the vacuum on areas where there are stones, or other hard objects. These objects will damage the impellor of the blower vac. It is also advisable not to allow the blower vac to pick up soil. Soil generally contains moisture and when combined with other garden debris can clog the blower vac. The blower vac is not a garbage disposal unit. Do not attempt to mulch any material other than general garden debris. For better performance and comfort, it is recommended the collection bag is emptied when it becomes approximately half full. This reduces the weight and allows the vacuum to operate at its highest level.

Once a year, hand wash the bag in soapy water and allow it to air dry.

STORAGE AND MAINTENANCE

STORAGE AND MAINTENANCE



WARNING!

Always wear protective gloves during maintenance operations. Do not carry out maintenance when the engine is running or hot.



WARNING!

Use only manufacturer approved replacement parts, accessories and attachments. Failure to do so can cause possible injury and poor performance.

1. Store the tool, User Manual and accessories in a secure, dry place. This way you will always have the information ready.
2. Keep the tool's air vents unclogged and clean at all times.
3. Remove dust and dirt regularly. Cleaning is best done with a rag or brush.
4. Never use caustic agents to clean plastic parts.
5. Empty the bag after each use to avoid deterioration and obstructing air flow, which will reduce the performance of the tool.
6. Wash the bag regularly and let it fully dry before zipping it closed.



WARNING!

Do not use cleaning agents to clean the plastic parts of the tool. A mild detergent on a damp cloth is recommended. Water must never come into contact with the tool.

STORAGE

Clean the blower or vacuum tubes thoroughly before storing.

Store the blower vac in a dry, well-ventilated place that is inaccessible to children. Store the tool locked up to prevent unauthorized use or damage.

TROUBLESHOOTING

TROUBLESHOOTING



WARNING!

Read User Manual first! Follow all safety precautions whenever diagnosing or servicing the tool. Disconnect power supply before service.

Problem	Possible Cause	Fault Correction
Tool will not start.	Tool's On/Off switch is in the OFF position.	Check whether the On/Off switch is in the On position.
	Cord not connected.	Check that cord is plugged in.
	No power at outlet.	Check power at outlet. If outlet is unpowered, turn off tool and check circuit breaker. If breaker is tripped, make sure circuit is right capacity for tool and circuit has no other loads.
Tool will not vacuum.	Leaf collection bag is full.	Empty leaf collection bag.
	Vacuum cover in the wrong position.	Place the vacuum cover in the correct position.
	Internal damage or wear.	Have authorized service center service tool.
Tool will not blow.	Blower cover in the wrong position.	Place the blower cover in the correct position.
	Internal damage or wear.	Have authorized service center service tool.

NOTE: If the tool vibrates, please immediately stop using it. Have the tool inspected by an authorized service center.

WARRANTY

WARRANTY

Product Warranty

Please keep your original purchase receipt in a safe place as proof of purchase.

The warranty period begins on the day that the product was purchased from an authorized retailer of Warranty coverage for this product must be verified by the original purchase receipt.

Yard Force products. Warranty coverage only applies to the original purchaser and is not transferrable.

Warranty coverage is only provided on products purchased from authorized Yard Force retailers.

Warranty only applies to products purchased and OPERATED in the USA. Any product purchased or operated outside of the USA is not covered by any warranty.

(2) Two-Year Limited Warranty

The Leaf Blower/Vacuum/Mulcher has a 2-Year Limited Warranty from the date of purchase against manufacturer defects for residential use only. Commercial use voids the warranty. This warranty does not cover accidental damage, unreasonable use, normal wear and tear, neglect or non-compliance with the Operating, Safety and Maintenance Instructions. All service, outside of normal maintenance as described in this manual, must be done by an authorized service technician. Any unauthorized service or changes to the original configuration of this product will void the warranty. All parts and accessories used on and with this product must be manufactured and or authorized by Merotec Inc.

(90) Ninety-Day Warranty – Components

The accessories included with the Leaf Blower/Vacuum/Mulcher including the tube, collection bag and other similar parts are warranted against manufacturer defects for residential use only for a period of 90 days from date of purchase.

Warranty does not cover loss of use or other consequential damages arising from any of the above, nor does it cover repairs made or attempted by unauthorized persons.

This warranty is void if the product is used for commercial, rental or industrial purposes.

Certain parts, attachments and accessories are subject to normal wear and tear and are excluded from the warranty.

Service and Warranty Claims Process

Contact the Yard Force Support Center toll-free at **(866) 902-9690 Monday-Friday between 8:30 AM and 5:00 PM** Eastern Time for service and warranty support.

Yard Force Service Support agents can help you troubleshoot problems over the phone to get you back up and running as quickly as possible. In the situation where service or warranty inspection is needed, please follow these steps:

1. Call Yard Force at **(866) 902-9690 Monday-Friday between 8:30 AM and 5:00 PM Eastern Time**.
2. Send in proof-of-purchase and serial number (if applicable) to confirm warranty Coverage as directed by Yard Force.
3. If service or a warranty evaluation is requested, Yard Force will provide an RGA number that should be used in all communications with Yard Force and is required to be indicated on the product itself and on the outside of the box.
4. All shipments to Yard Force must have an RGA number. Any shipment received that does not have an RGA number clearly marked on the outside of the box will be refused.
5. All shipments must be sent pre-paid, Yard Force does not pay for any shipping costs for service or warranty evaluation. Yard Force is not responsible for any packages that are lost by carrier. We recommend that shipments are made by a carrier that provides tracking and delcert confirmation

For more information or to ask questions, please call toll-free **(866) 902-9690 Monday-Friday between 8:30 AM and 5:00 PM Eastern Time**.

SAVE THESE INSTRUCTIONS



Need Help?

Please do not return the product to your place of purchase yet. We're here to help and take care of all your needs.

Contact our customer service department for help with:

- Product assembly or use
- Missing or damaged parts
- Troubleshooting
- Replacement parts and accessories

You can submit a support request by scanning the QR code on this page, or by visiting:
www.YardForceUSA.com/contact-support

Scan Code to connect with Yard Force Support



1-866-902-9690



www.YardForceUSA.com

Register your product today to maintain warranty coverage and stay up to date with information on the use, care, maintenance and service of your product.

Register online today at:

www.yardforceusa.com/product-registration



Merotec Inc.
3655 Kennesaw North Industrial Parkway
Kennesaw, GA 30144
Copyright © 2022 Merotec Inc.

Made in China at a SUMEC manufacturing facility.

Part Number: YF12BLVMAN-A
2206