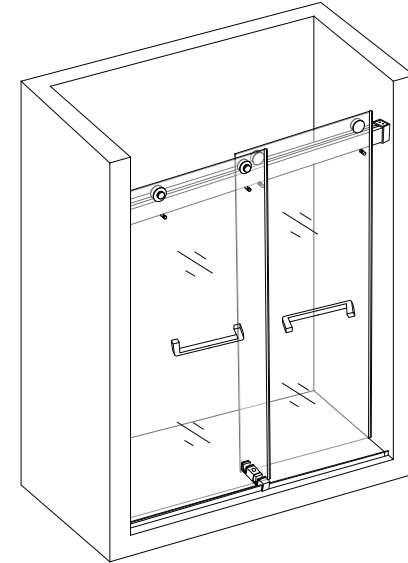


DELAVIN®



INSTALLATION INSTRUCTIONS

SHOWER DOORS

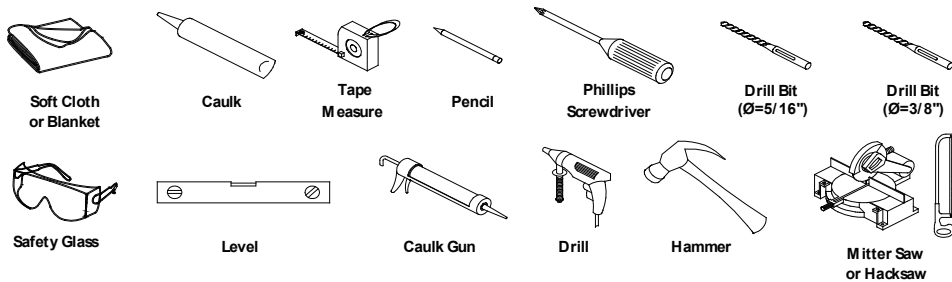
MODELS:
SHOWER DOORS:
W213-4875/W213-4875B/
W213-6075/W213-6075B

PREPARATION

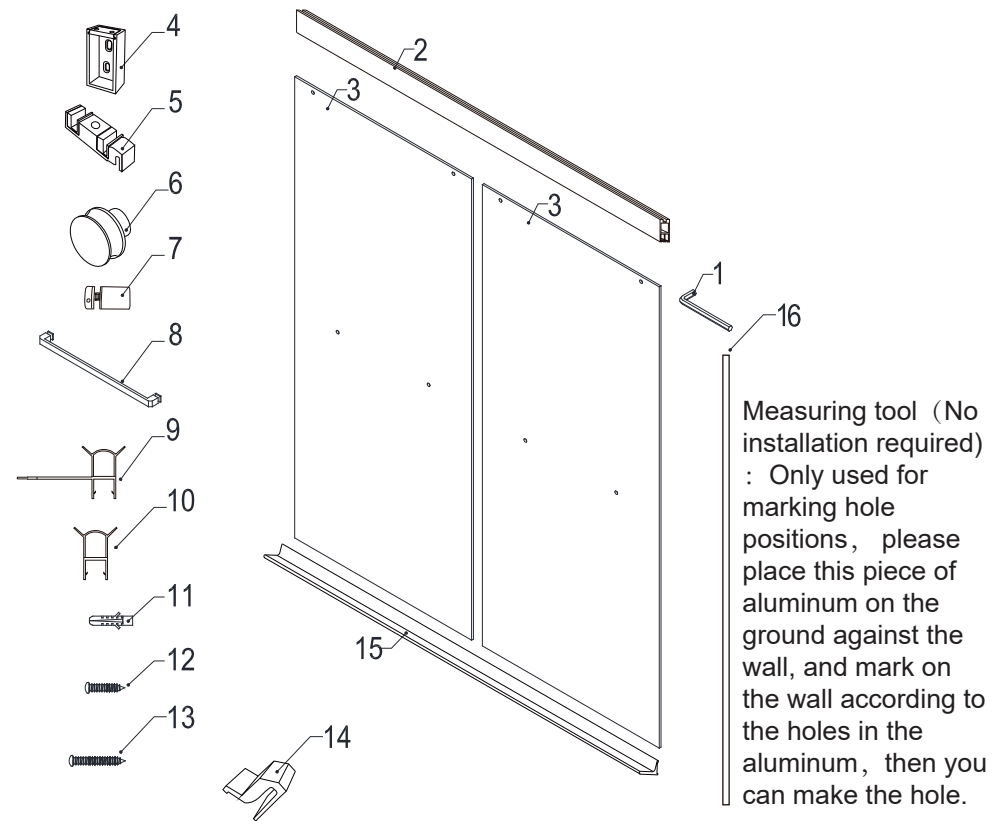
1. We strongly recommend that this product be installed by a licensed and insured professional contractor, including the assistance of a second person during installation.
2. After opening all boxes and packages, please read this introduction carefully. Check that all required parts are included in the package by marking all components on the Shower Door Components Detail Sheet. Inspect boxes and packages for shipping damage. If the unit has been damaged, has a finishing defect or has missing parts, please contact our customer support department within 3 business days of the delivery date. Please note that DELAVIN will not replace any damaged products or missing parts free of charge after 3 business days or if the product has been installed. Feel free to contact DELAVIN if you have any questions.
Attention: Please double check the glass corners and four edges of the two glass doors to ensure that all glass is in perfect condition and without any breakage. Do not attempt to install a shower door if the glass corners are broken.
3. Please note that if you are in doubt about installation compliance standards, please consult your local building codes. Building and plumbing codes may vary by location and DELAVIN is not responsible for your project's code compliance standards and does not accept any returns.
4. Before installation, make sure the installation surface is leveled and solid, and can support the total weight of the unit. Also, make sure the walls are at right angles. Irregular mounting surface levels or improper angle of side walls will cause serious problems during installation. Note that some adjustments and drilling may be required during installation.
5. Protect all major surfaces of the product during installation. Never place glasses directly on tile floors. Leave the corner protector in place until it needs to be removed. Always use a piece of wood or cardboard to protect the bottom edges and corners of the glass before and during installation.

TOOLS REQUIRED

OTHER TOOLS MAY BE REQUIRED



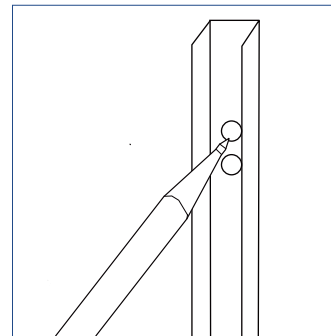
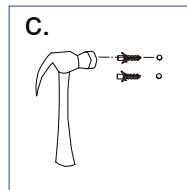
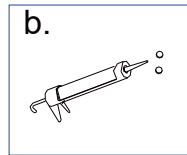
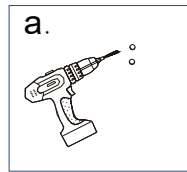
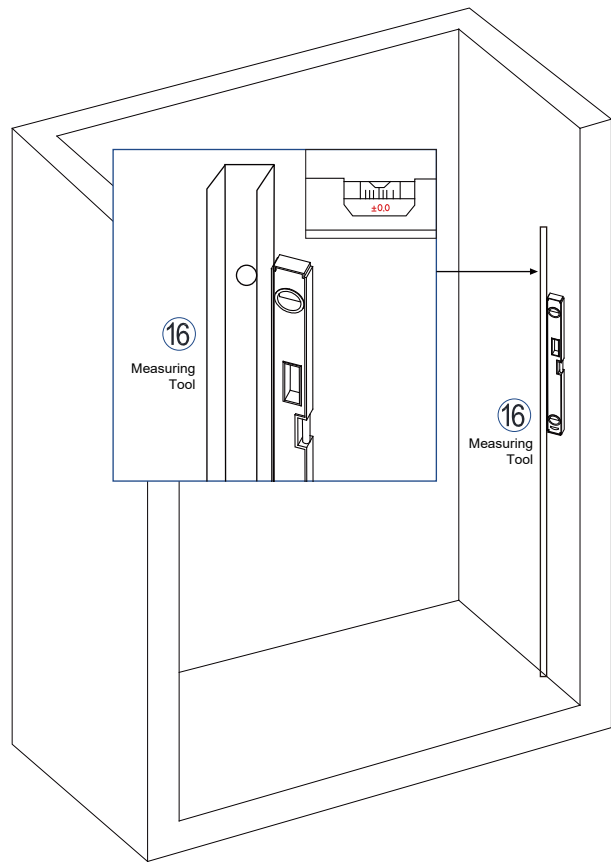
OTHER TOOLS MAY BE REQUIRED



Measuring tool (No installation required)
: Only used for marking hole positions, please place this piece of aluminum on the ground against the wall, and mark on the wall according to the holes in the aluminum, then you can make the hole.

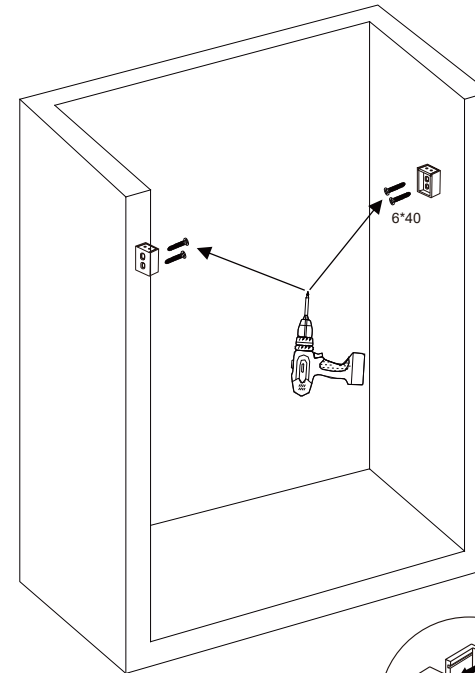
Parts List					
#	ITEM	Qty	#	ITEM	Qty
1	Allen Wrench	3pcs	9	Water Retaining Strip	2pcs
2	Upper Guide Rail	1pc	10	Water Retaining Strip	2pcs
3	Door Glass	2pcs	11	Plastic Wall Anchor	9pcs
4	Guide Rail Bracket	2pcs	12	Truss Head Self-Tapping Screw 6x40	4pcs
5	Bottom Guide Block	1pc	13	Truss Head Self-Tapping Screw 4x25	5pcs
6	Roller	4pcs	14	Positioning Block	2pc
7	Anti Jumping Knob	4pcs	15	Anti-Splash Threshold	1pc
8	Door Handle	2pcs	16	Measuring Tool	

TEAR OFF THE GLASS PROTECTIVE FILM BEFORE INSTALLATION

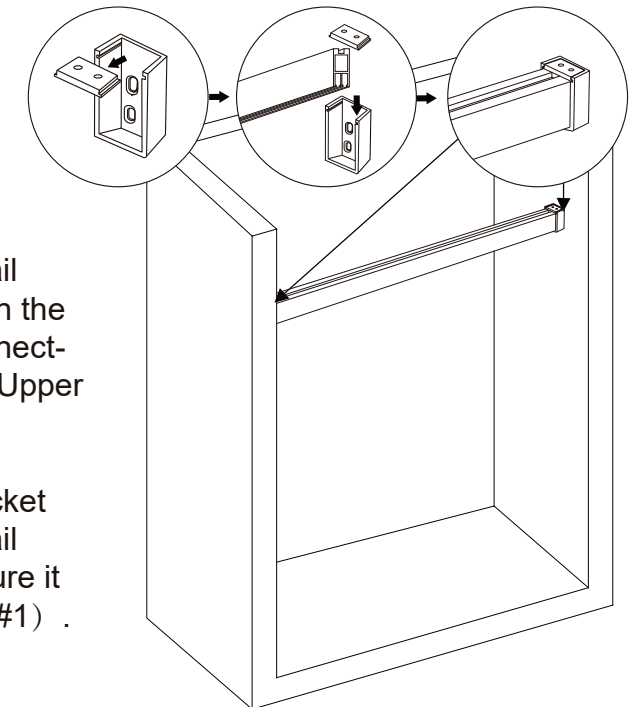


1. Place the Measuring Tool(#16) vertically from the ground on the left and right walls. Mark the installation holes on the walls according to the holes on the measuring Tool(#16)

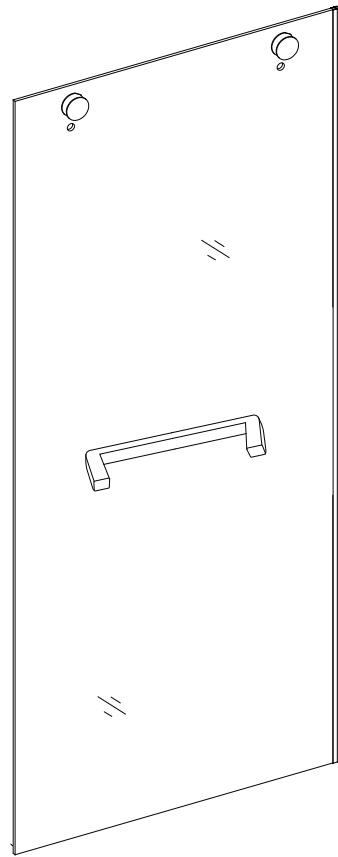
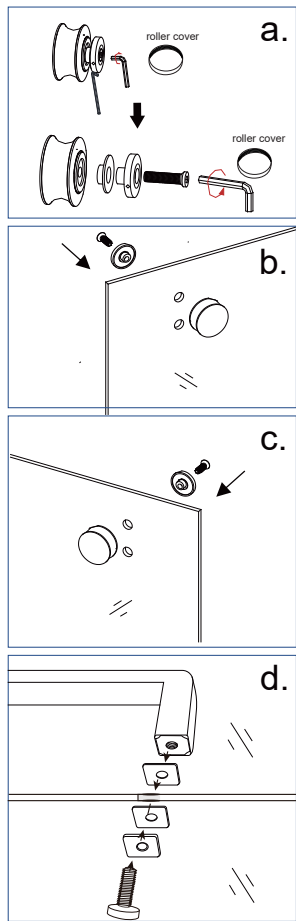
2. Drill holes in the location marked above and apply silicone into the holes, insert the Wall anchors (#11) for the Guide Rail Bracket.



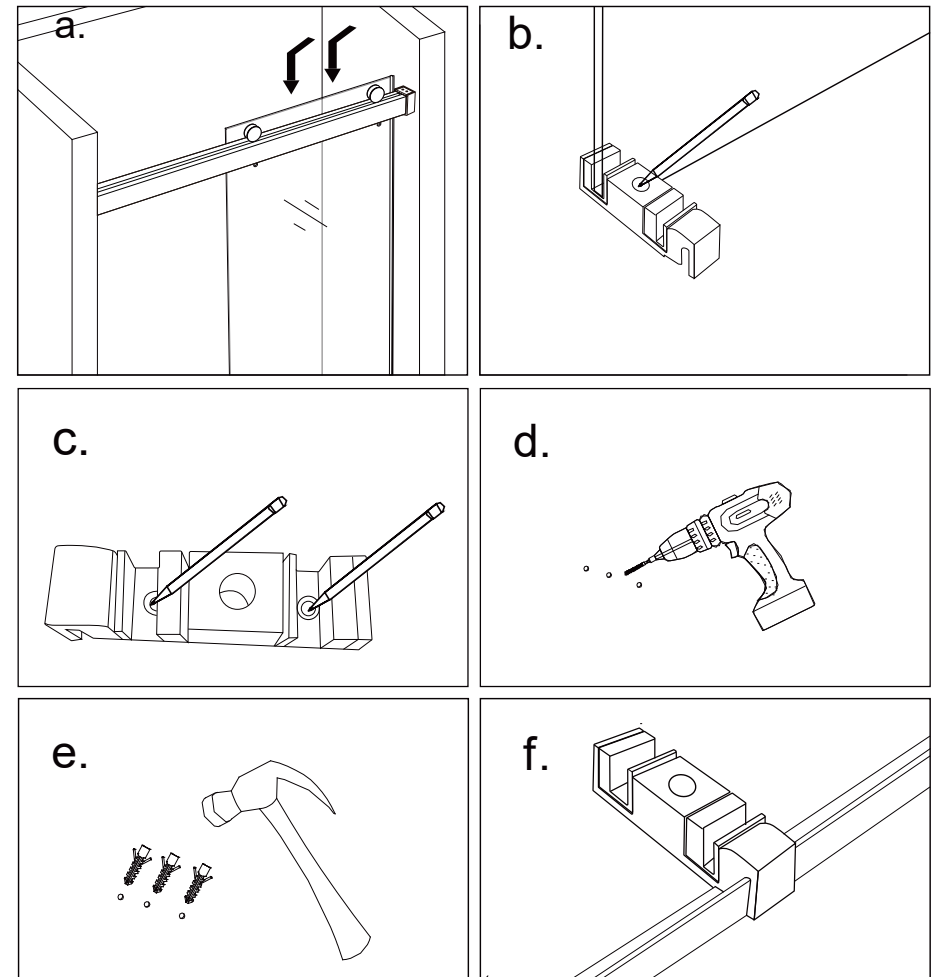
3. Fix the Guide Rail Bracket(#4) to the wall on both sides with 6*40 screws (#12) as shown in the picture. The other side of the Guide Rail Bracket (#4) is installed in the same way.



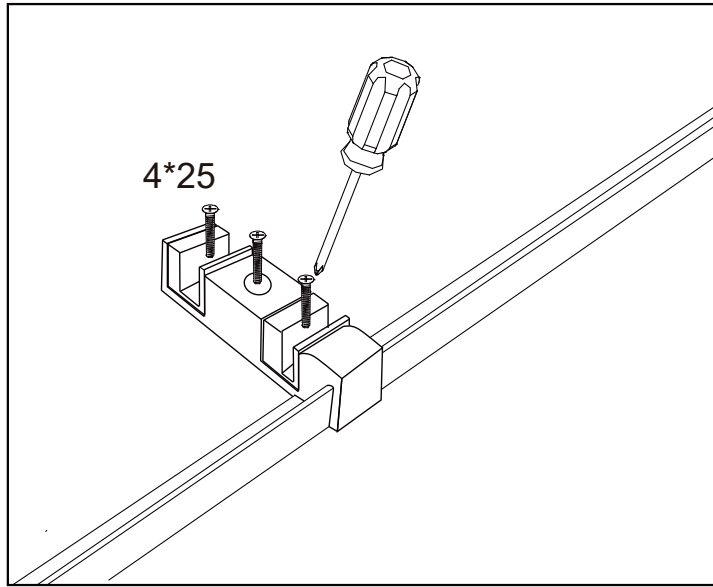
4. Detach the Guide Rail Bracket(#4) as shown in the picture to open the connecting rod, then insert the Upper Guide Rail (#2) into the Guide Rail Bracket(#4). Put the Guide Rail Bracket Covers to the Guide Rail Brackets (#4) and secure it tightly with Allen Key (#1) .



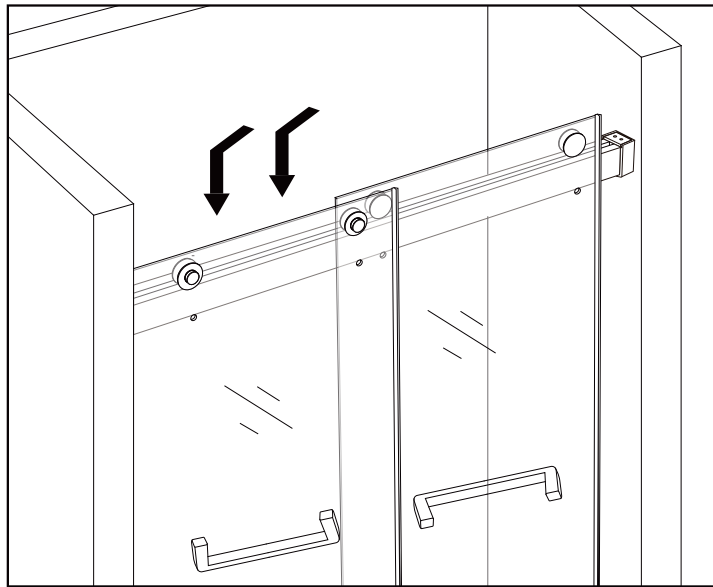
5. Assemble the Roller (#6) and Door Handle(#8) on the two pieces of Door Glass(#3) as shown.



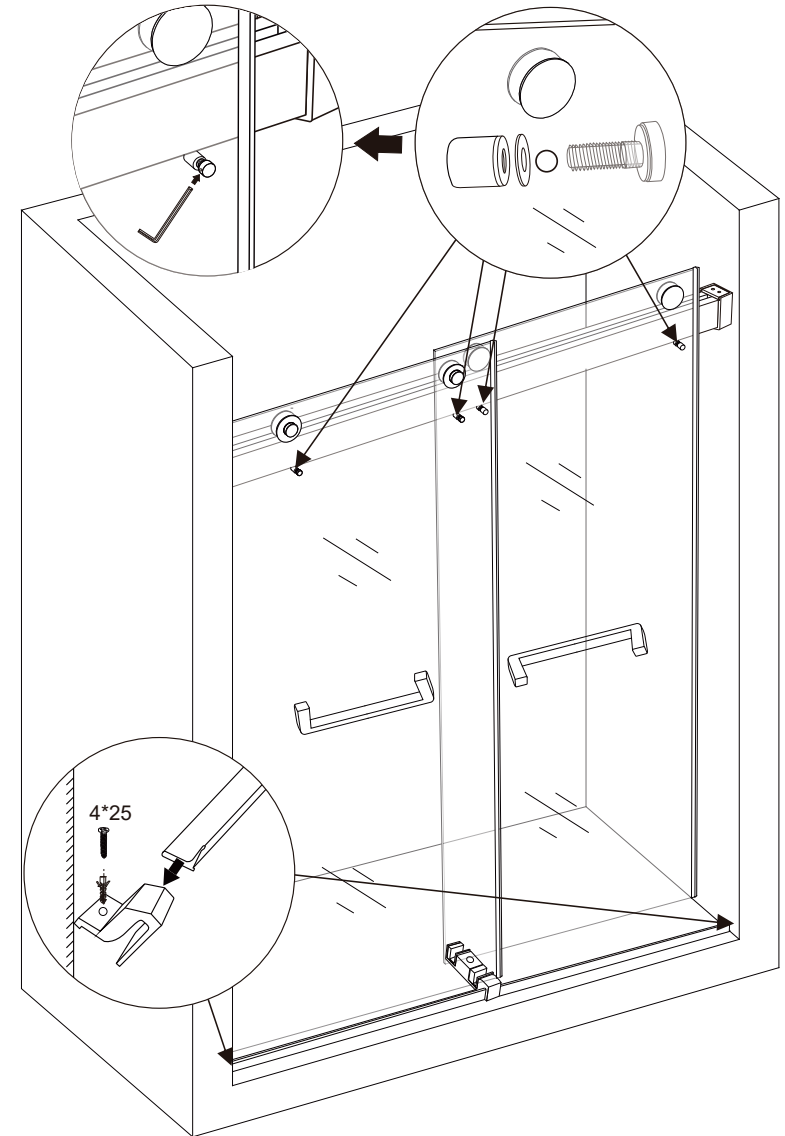
6. Hang the glass door (#3) assembly on the upper rail (#2). Make sure the rollers roll on the tracks of the upper rail (#2). Then slide the bottom edge of the glass door into the groove of the bottom guide (#5). Make sure the door glass is vertical and the bottom guides (#5) are centered left and right, then mark the hole locations for the bottom guides as shown. Remove the door glass and drill and apply silicone to the hole, then insert the wall anchor (#11). Hold the Anti-Splash Threshold (#15) against the shower floor, making sure the Threshold is level. Then place the bottom guide block (#5) on the Anti-Splash Threshold (#15) and coincides with the hole position.



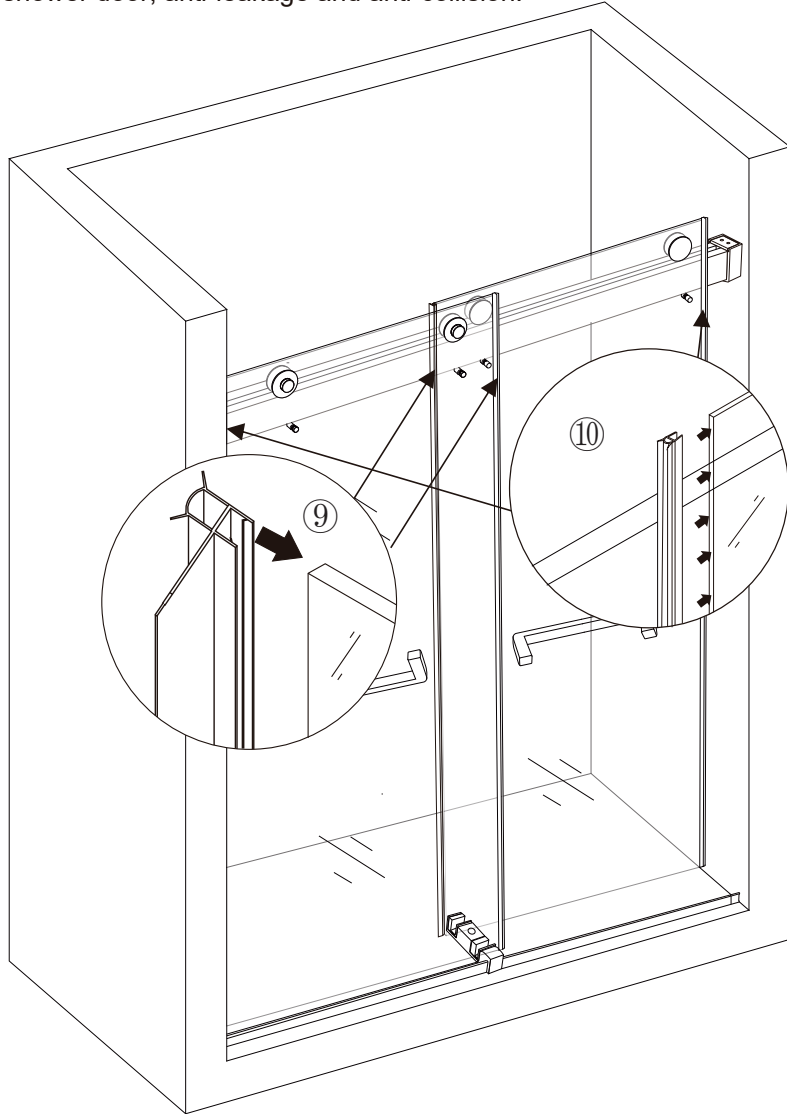
7. Secure the Bottom Guide Block (#5) to the floor using the Screw M4x25 (#13). Hang the two Door Glass(#3) Assembly to the Upper Guide Rail (#2) and then slide the bottom edge of the glass door into the groove of the Bottom Guide Block (#5). Make sure that the roller is rolling against the track of the Upper Guide Rail (#2).



8. Install the Anti jumping knob (#7) to the Door Glass (#3). Make sure that the clear gasket will be between the glass and the metal parts of the Anti jumping knob (#7) Then use 4x25 Screw (#13) to fix the Positioning Block (#14) at both ends of the anti-splash Threshold (#15).



9.10. Slide the Water retaining strip (#9) and (#10) to the two Door Glass (#3). PLEASE NOTE: The shower door is equipped with two types of Water Retaining Strips 9 and 10. 9: With side edge, installed in the middle of the shower door, with side to block the gap between two pieces of glass, need to be cut to accommodate sliding. 10: Without side, installed on both sides of the shower door, anti-leakage and anti-collision.



10. Apply silicone sealant on the seams between the anti-splash Threshold (#15) and the shower floor. MUST ALLOW SILICONE TO DRY FOR 24 HOURS BEFORE STARTING USING THE SHOWER

