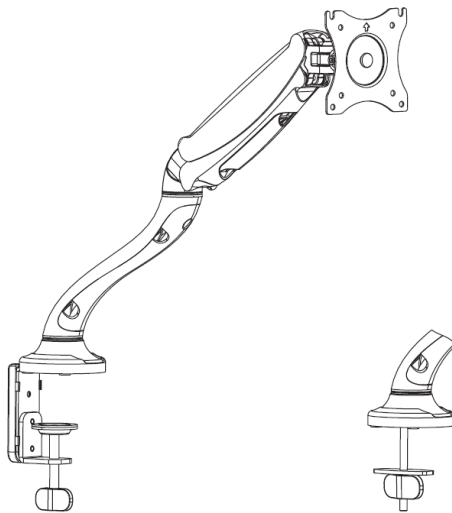


Pneumatic Arm Single Monitor Desk Mount Instruction Manual



SKU: STAND-V001B



Scan the QR code with your mobile device or follow the link for helpful videos and specifications related to this product.

<https://vivo-us.com/products/stand-v001b>

GET IN TOUCH | Monday-Friday from 7:00am-7:00pm CST



help@vivo-us.com



www.vivo-us.com
Chat live with an agent!



309-278-5303

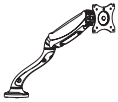
WARNING!

If you do not understand these directions, or if you have any doubts about the safety of the installation, please call a qualified technician. Check carefully to make sure there are no missing or defective parts. Improper installation may cause damage or serious injury. Do not use this product for any purpose that is not explicitly specified in this manual. Do not exceed weight capacity. We cannot be liable for damage or injury caused by improper mounting, incorrect assembly or inappropriate use.

WARNING: CHOKING HAZARD

SMALL PARTS - NOT FOR CHILDREN UNDER 3 YEARS. ADULT SUPERVISION IS REQUIRED.

PACKAGE CONTENTS



A (x1)
Monitor
Stand



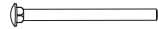
B (x1)
Clamp Support



C (x1)
Clamp



D (x1)
Cable Clip



E (x1)
Bolt



F (x1)
Grommet
Base



G (x1)
Knob



H (x5)
Screw



I (x1)
Support Plate



J (x1)
4mm Allen
Wrench



K (x1)
5mm Allen
Wrench



M-A (x4)
M4x12



M-B (x4)
M5x12



M-C (x4)
D5 Washer

NOTE: SOME HARDWARE INCLUDED MAY NOT BE USED

TOOLS NEEDED



DO NOT EXCEED WEIGHT CAPACITY.

Failure to do so may result in serious injury.

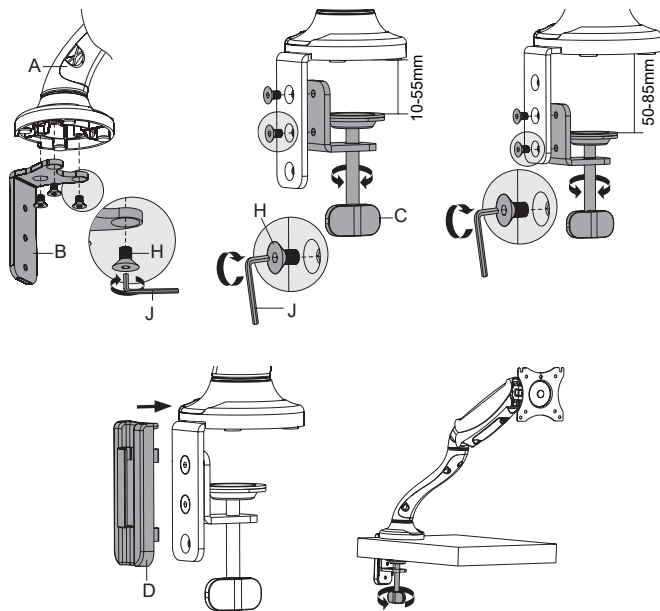


ASSEMBLY STEPS

STEP 1

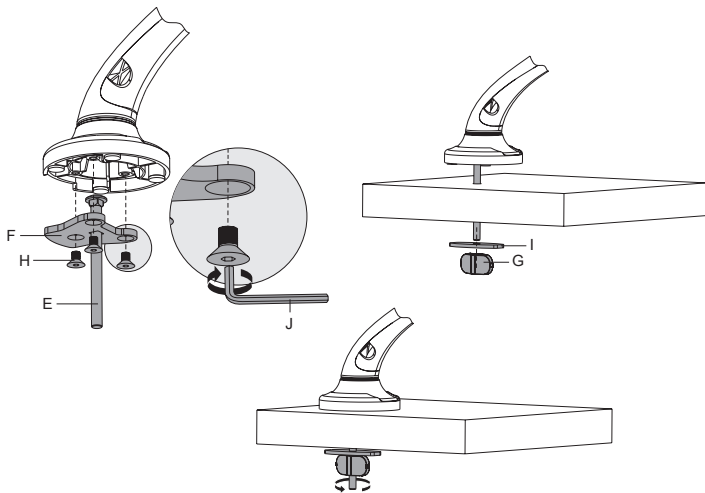
OPTION A: Desk Clamp Installation

Attach clamp support (B) onto base of monitor stand (A) with screws (H) using 4mm allen wrench (J). Attach clamp (C) to clamp support (B) at desired depth with screws (H) using 4mm allen wrench (J). Attach cable management clip (D) to clamp support (B). Secure to desk.



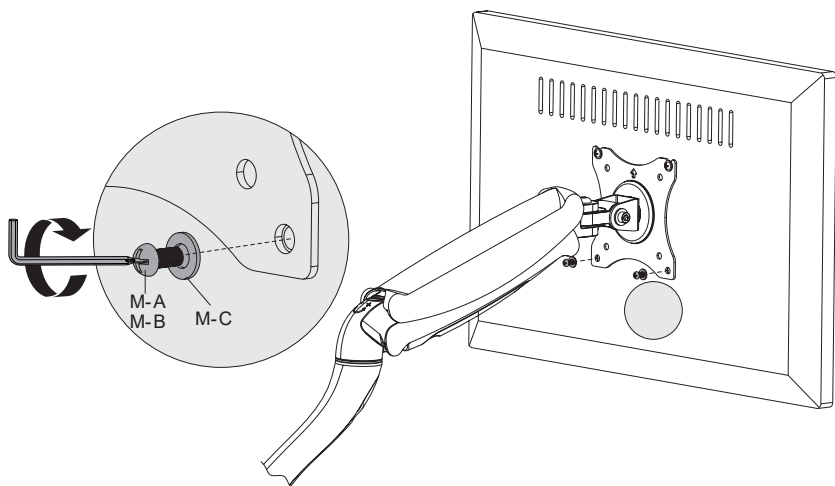
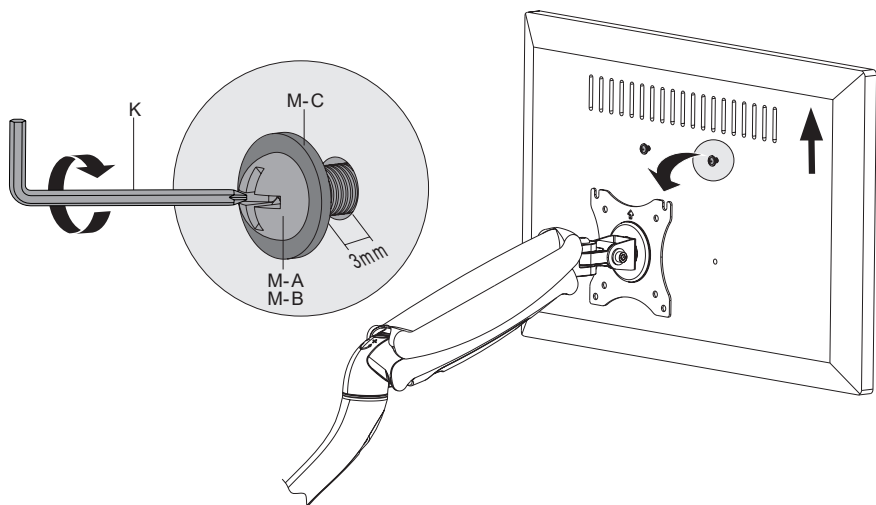
OPTION B: Grommet Base Installation

Slide bolt (E) through grommet base (F). Attach grommet base (F) to monitor stand (A) with screws (H) using 4mm allen wrench (J). Secure to desk with support plate (I) and knob (G).



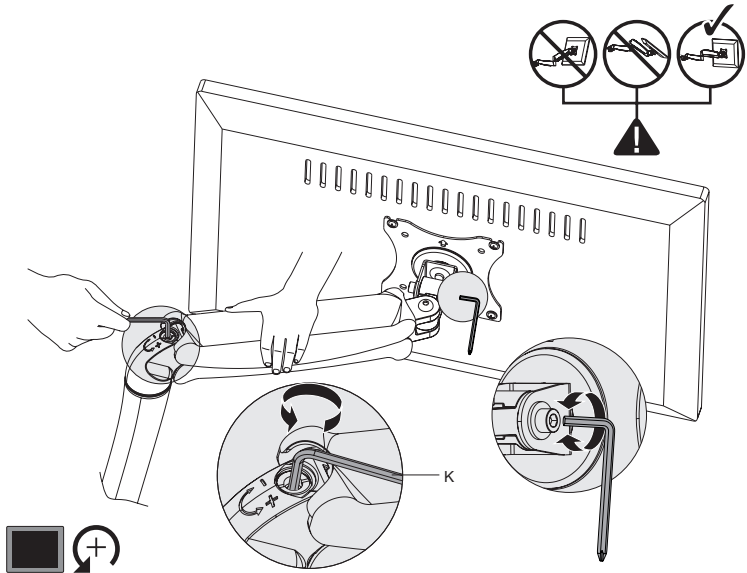
STEP 2

Insert screws (**M-A or M-B**) with washers (**M-C**) into top 2 holes on back of monitor. Leave slightly loosened. Slide monitor onto VESA plate. Insert screws (**M-A or M-B**) with washers (**M-C**) into bottom 2 holes of VESA plate into the monitor. Tighten all screws using 5mm allen wrench (**K**).



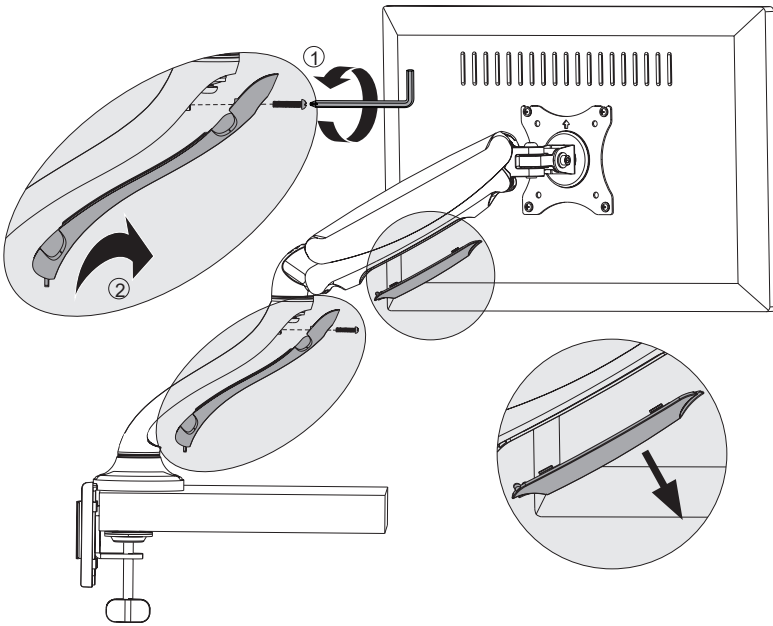
STEP 3

Adjust arm tension by turning bolt with 5mm Allen Wrench (**K**). Clockwise reduces tension, counterclockwise increases tension. The tension should be just enough to hold your monitor in place without lifting itself up. If needed, adjust the bolts on the sides of the hinge behind the VESA plate to tighten or loosen the tilt angle.



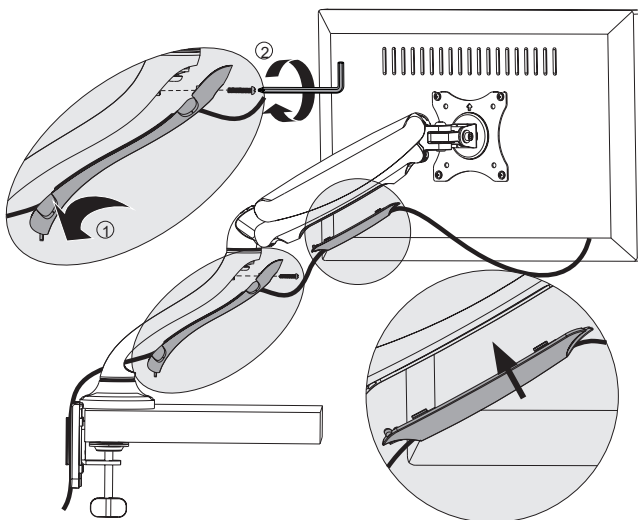
STEP 4

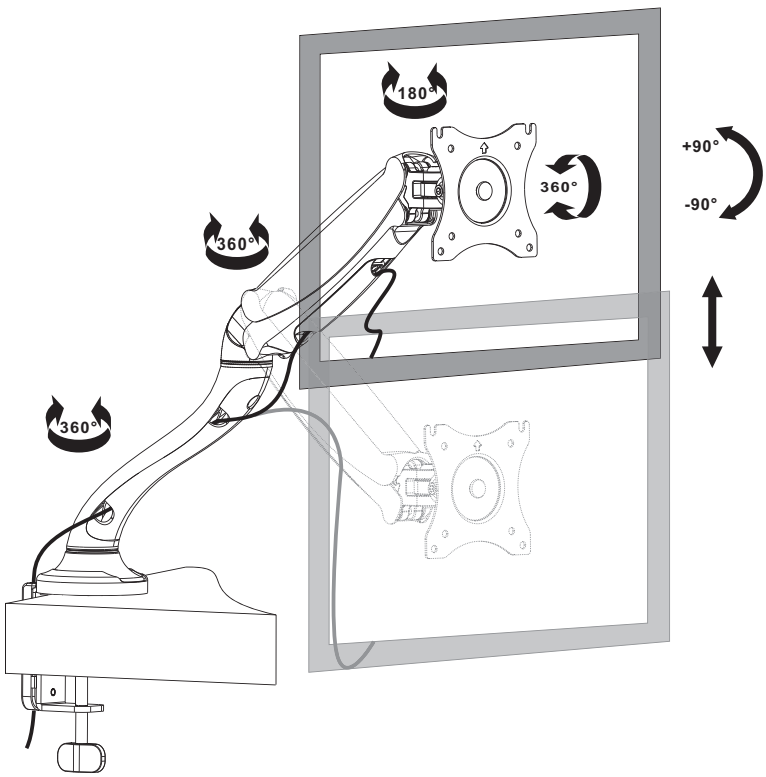
Remove cable covers from upper and lower arms. To remove lower cover, remove the screw as shown, pull slightly forward, up and off.



STEP 5

Insert cables. Replace covers making sure the cables have enough slack to allow free movement of the arm.







Open **Monday - Friday 7:00am - 7:00pm** CST,

our dedicated support team can offer immediate assistance with rapid response times. If any parts are received damaged or defective, please contact us. We are happy to replace parts to ensure you have a fully functioning product.


 help@vivo-us.com

AVG. RESPONSE TIME (*within office hrs*): **1HR 8M**

- 23% within < 15m
- 38% within < 30m
- 61% within < 1hr
- 83% within < 2hr
- 92% within < 3hr

 www.vivo-us.com
Chat live with an agent!

AVG. RESOLUTION TIME (*within office hrs*): **< 15 M**

 309-278-5303

AVG. RESOLUTION TIME (*within office hrs*): **5M 4S**