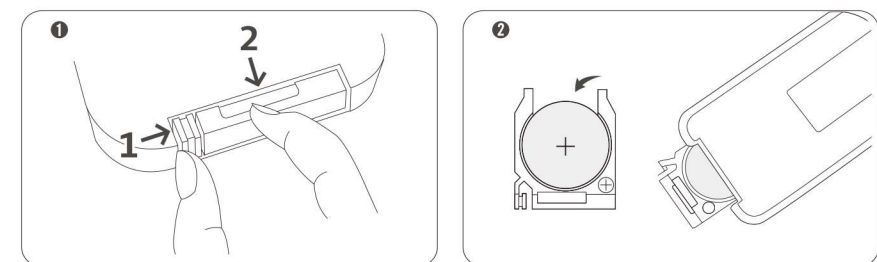


AFTER USE:

1. Please turn off the power and unplug the power plug after use .
2. Keep the power cord in a safe place.

REMOTE CONTROL BATTERY INSTALLATION:



1. lightly press the battery cover slot to the right, and then pull down as a whole to remove the battery cover.
2. put the battery into the battery box, and send the battery box into the original outlet. And fully buckle it completely. (Please pay attention to the positive and negative direction of the battery)

NOTES ON REMOTE CONTROL:

1. The remote control must be facing the receiver.
2. The applicable range of the remote control is within about 5 meters facing the receiver. If the remote control is not facing the receiver, the use range of the remote control will be reduced.
3. Do not place any obstructions between the receiver and the remote control; please keep the remote control properly to avoid impact and fall; when the remote control is not in use, please remove the battery and keep it properly.
4. Please keep the remote control in a safe place to avoid bumps and falls.
5. When the remote control is not used, please remove the battery and keep it properly.

WARNING: Chemical Burn Hazard. Keep batteries away from children. See manual.

CARE AND MAINTENANCE

- Please turn off the power and unplug the power plug before cleaning and maintenance.
- The dirt on the body must be cleaned to avoid discoloration and damage.
- Never rinse the body directly with water.
- This machine needs only general external cleaning and maintenance. First wipe with a kitchen detergent, and then wipe with a clean soft cloth.
- Do not wipe the body with thinner, toluene, acid lotion, lamp oil, alcohol or chemical cloth to avoid discoloration or deterioration.
- After each maintenance, the heater should be sufficient dry before powering on or storing. If the appliance will not be used for a long time, the parts should be packed into the original package and placed in a dry place for proper storage.

MAINTENANCE INSTRUCTIONS

No lubrication is needed for this product. The user can perform cleaning. All other servicing is to be done by qualified service personnel.

1. The Heater shall be cleaned if the surface is dirty or every three months.
2. To disconnect heater, turn controls to off, then remove plug from outlet.
3. That the heating element of the heater is cool.
4. Only use a wet cloth to clean the heater and heating element.
5. To restore the power when cleaning work is completed.

USER SERVICING INSTRUCTION

The product incorporated a manual reset thermal protector in case of overheat. If it operates, unplug and remove any covering material over air out. Wait until it is cool and then start the heater again. If it still does not work, discard heater or return to an authorized service facility for examination, and/or repair.

OPERATING INSTRUCTIONS

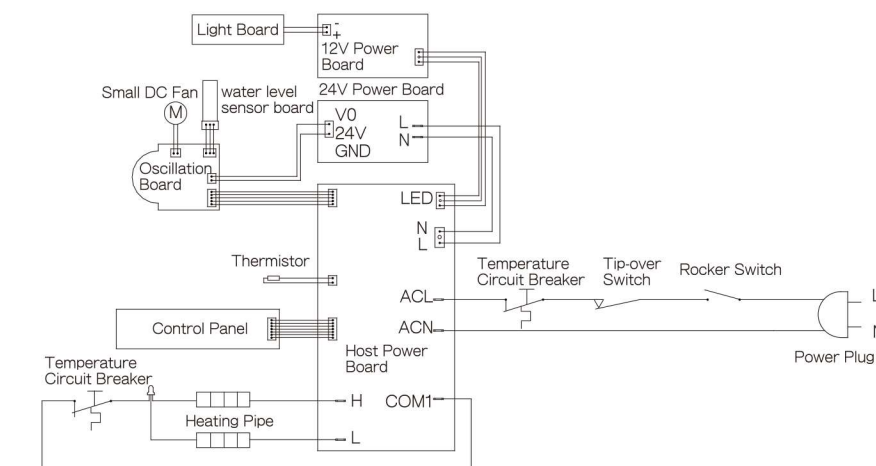
Place the product and connected cord so that the product is not likely to be upset. Do not overfill the product during use.

PRODUCT SPECIFICATION

MODEL	AIR6-G
VOLTAGE	120V 60Hz
WATTS	1200Watts

Tips:
Due to the normal attenuation of the heating equipment, it is recommended to replace the heating equipment with a new one after about 1000 hours of accumulative use.

PRODUCT CIRCUIT DIAGRAM



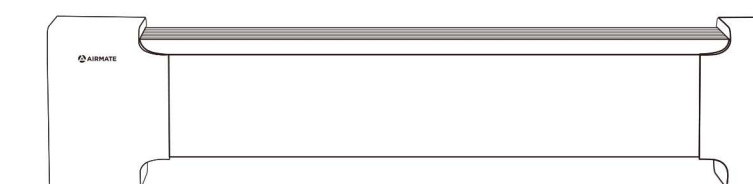
1. If the power cord is damaged, it must be replaced by a qualified person, repair or similar department from the manufacturer in order to avoid a hazard.
2. Keep switches and other controls out of reach of people in the bathtub or shower area.
3. It is normal for the new machine to have a smoke smell or peculiar smell when it is first used or not used for a long time, and it will disappear naturally after a period of use.
4. Do not use this heater around bathtubs, jets or swimming pools.
5. Heaters must not be placed directly under an electrical outlet.
6. To avoid overheating, do not cover this heater.
7. This product is not intended for use by persons with reduced physical, sensory or mental capabilities or lack of experience and knowledge, unless they have been given supervision or instruction concerning use of the appliance by a person responsible for their safety.
8. Take care of children and make sure they do not play with the appliance.



USER MANUAL

Baseboard Heater

MODEL: AIR6-G



READ & SAVE THESE INSTRUCTIONS

- Thank you very much for purchasing our Baseboard Heater.
- Please read this instruction carefully before using this appliance.
- For Household Use Only.

IMPORTANT INSTRUCTIONS

When using electrical appliances, basic precautions should always be followed to reduce the risk of fire, electric shock, and injury to persons, including the following:

1. Read all instructions before using this heater.
2. Use this heater only as described in this manual. Any other use not recommended by the manufacturer may cause fire, electric shock, or injury to persons.
3. Always plug heaters directly into a wall outlet/receptacle. Never use with an extension cord or relocatable power tap (outlet/power strip).
4. Do not operate any heater with a damaged cord or plug or after the heater malfunctions, has been dropped or damaged in any manner. Discard heater or return to an authorized service facility for examination, and/or repair.
5. Do not run cord under carpeting. Do not cover cord with throw rugs, runners, or similar coverings. Do not route cord under furniture or appliances. Arrange cord away from traffic area and where it will not be tripped over.
6. Always unplug heater when not in use.
7. To disconnect heater, turn controls to off, then remove plug from outlet.
8. A heater has hot and arcing or sparking parts inside. Do not use it in areas where gasoline, paint, or flammable liquids are used or stored.
9. This heater is hot when in use. To avoid burns, do not let bare skin touch hot surfaces. If provided, use handles when moving this heater. Keep combustible materials, such as furniture, pillows, bedding, papers, clothes, and curtains away from heater.
10. To prevent a possible fire, do not block air intakes or exhaust in any manner. Do not use on soft surfaces, like a bed, where openings may become blocked.
11. Do not insert or allow foreign objects to enter any ventilation or exhaust opening as this may cause an electric shock or fire, or damage the heater.
12. This heater is not intended for use in bathrooms, laundry areas and similar indoor locations. Never locate heater where it may fall into a bathtub or other water container.
13. CAUTION: TO PREVENT ELECTRIC SHOCK, MATCH WIDE BLADE OF PLUG TO WIDE SLOT AND FULLY INSERT.
14. This Heater is not intended to be used as baseboard-type heater system. If more than one Heater is intended to be used, each shall be kept 0.5m away from each other and connected to separated 15A socket outlet.
15. CAUTION - High Temperature, Keep Electrical Cords, Drapes, And Other Furnishings Away From Heater. The heater is to be located from drapes more than 0.5m.
16. To reduce the risk of fire, do not store or use gasoline or other flammable vapors and liquids in the vicinity of the heater.
17. The Heater shall be used according to the correct direction of TOP and BOTTOM.
18. For the remote controller:

WARNING: Chemical Burn Hazard. Keep batteries away from children.
This product contains a lithium button/coin cell battery. If a new or used lithium button/coin cell battery is swallowed or enters the body, it can cause severe internal burns and can lead to death in as little as 2 hours. Always completely secure the battery compartment. If the battery compartment does not close securely, stop using the product, remove the batteries, and keep it away from children. If you think batteries might have been swallowed or placed inside any part of the body, seek immediate medical attention.
The cells shall be disposed of properly, including keeping them away from children. Even used cells may cause injury.
SAVE THESE INSTRUCTIONS

USE SAFETY PRECAUTIONS

- Before use, please check whether the voltage is consistent with the product voltage label and whether the power cord and plug are damaged.
- Please use a separate power outlet to avoid overheating or other malfunctions.
- Please use a separate power outlet to avoid overheating or other malfunctions. It is forbidden to bend, pull the power cord or directly pull the power cord to move the body to avoid poor contact.
- Do not place the power cord on a hot body to avoid overheating and causing a fire.
- Do not spray volatile and insecticides, which may cause deterioration, damage or discoloration of the body shell.
- Do not place the body under the power cord socket to avoid accidents.
- When using, the body should be more than 50cm away from surrounding walls or other objects.
- Turn off the power before unplugging; do not pull the power plug with wet hands.
- Do not use or store it in a place where it is wet for a long time, exposed to water, and dusty.
- Do not use it in places where unsupervised children, elderly people with limited mobility, and disabled people are in order to avoid accidental release.
- Do not use it in outdoor, unstable and unsafe places, so as not to cause failures such as falling, damage, etc.
- It is forbidden to insert foreign objects, block or cover the hot air outlet and air inlet, which will cause high temperature, failure, influence and performance, overheating of the body, resulting in deformation and discoloration of the casing.
- It is forbidden to insert foreign objects, block or cover the hot air outlet and air inlet, which will cause high temperature, failure, influence and performance, overheating of the body, resulting in deformation and discoloration of the casing.

Special statement:

1. This product is subject to any technical changes without prior notice
2. The appearance and color of this product are subject to change, subject to the actual product.

PRODUCT DESCRIPTION

Tips: Do not open and close doors and windows frequently during use, so as not to affect the use effect.
It is normal to have a slight sound during use.

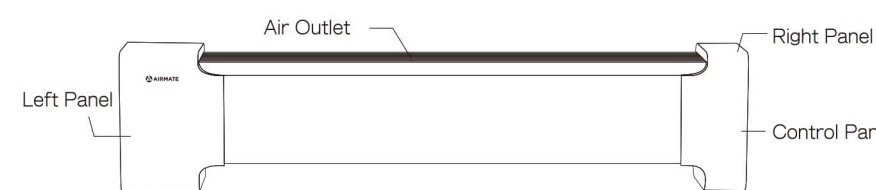
Product introduction:

Airmate is a professional manufacture of electric fans, electric heaters and small household appliances. Airmate electric heater is a new product developed by a variety of new materials, new originals and high-tech. After careful research and development, it has advanced technology novel shape, high thermal efficiency, fast heat dissipation, high quality and high safety. It has a series of advantages such as convenient cleaning and maintenance, and has gradually become a best-selling product in various regions.

Features and selling points:

1. Innovative flame/humidification baseboard, two-in-one heating and viewing.
2. The default setting of power on is 23 degrees Celsius, one-button comfort, more humane.
3. Multiple working modes, more convenient to use.
4. Humidify and replenish water with a large amount of fog, heating is not dry.
5. Memory function, save time, easy to control.
6. Auto power off in 24 hours.

PRODUCT PART NAME

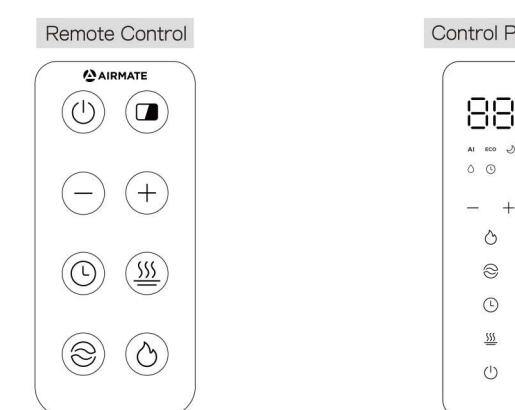


CAUTION: High Temperature, Keep Electrical Cords, Drapes, And Other Furnishings Away From Heater.

PRECAUTIONS BEFORE USE

1. ① Open the box and take out the body to confirm whether the product is in good condition.
② Power Outlet and Power Cord Requirements.
2. ① Place the body on a stable place, and then insert the power plug into the power outlet.
② Note: Because the body is equipped with a down switch, the body must be placed in a stable place to work.

INSTRUCTIONS FOR USE



ON/OFF

Plug in the power supply, turn on the power switch, press this key, all the keys will light up, enter the standby state. Press this key again to enter the working state, start working at the set temperature of 23°C, and adjust the temperature by the + and - keys (adjustable range 18-35°C). Under working conditions, press this key to turn off all functions. All indicators except the on/standby icon, the display is off.

ONE BUTTON HEATING

At the power-on status, set one button heating function by pressing this button, press this button again, will close heating enter into AI mode.

MODE

Press this in the power-on or reservation state, and press the mode to cycle in turn.

TIMER

To make appointment: In the standby state, press this key to set the scheduled start-up, and use the + and - keys to adjust the reservation time. The longest reservation time. The longest reservation time is 24 hours. After the reservation is set, other functions can be set in this state. The setting order is as follows:

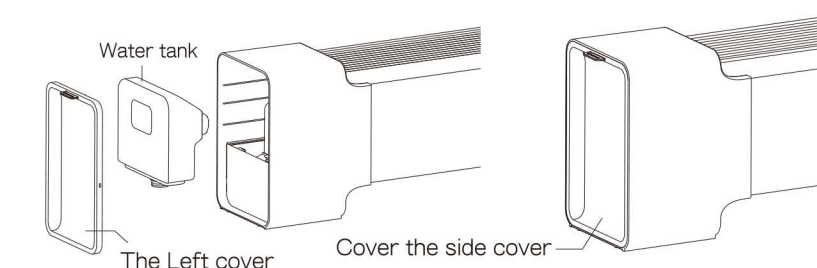
1h → 2h → 3h → 4h → → 24h

Timing: In the working state, press this key to set the appointment to start the machine, and adjust the appointment to start the machine, and adjust the appointment time through the + and - keys. The longest appointment time is 24 hours. After the appointment is set, other functions can be set in this state. The setting order is as follows:

1h → 2h → 3h → 4h → → 24h

HUMIDIFICATION/FLAME

1. Press this key in standby and power-on state, the whole machine works with flame humidification; press this key again to turn off the flame function, press this key again to turn off the flame function, press this key for the third time to turn off the humidification function, and cycle in turn.
2. There is a water level switch in the water tank of this product. When the water level drops to a predetermined position, the humidifying flame stops working and the icon starts to flash. Need to add water to the water tank to restore the humidification flame function again.
3. How to add water:
① Open the left cover, then take out the water tank and add water
② After adding water, put the water tank into the body and cover the left cover.



Note: Please unplug the power plug when adding water. To avoid damage to the atomizing plate and materials inside the machine, do not add essential oils, aromatherapy liquids or hot water to the water tank.

Do not tilt and move after filling with water.

In Intelligent mode, preset and timing state, press this key to increase the set value, press this key in other modes or shutdown state is invalid.

In Intelligent mode, preset and timing state, press this key to reduce the set value, in other modes or shutdown state, press this key is invalid.

SCREEN OFF KEY (Remote Control Function)

Press this key in the power-on state to set whether the display screen is off. When the screen-off function is turned on, press any key on the remote control or operation panel to wake up the display first; press the second key to enter the corresponding key function.