

## TECHNICAL DATE

<b>Voltage:</b>	<b>110~120V/60Hz</b>
<b>Wattage:</b>	<b>1600W</b>
<b>Rated pressure:</b>	<b>2200PSI</b>
<b>Max.Pressure:</b>	<b>3000PSI</b>
<b>Rated flow rate:</b>	<b>1.8GPM</b>
<b>Max.flow rate:</b>	<b>2.4GPM</b>
<b>Max.inlet water pressure:</b>	<b>1Mpa</b>
<b>Degree of protection:</b>	<b>IPX5</b>
<b>Rated temperature:</b>	<b>0-40°C</b>
<b>Machine weight:</b>	<b>7.3kg</b>
<b>Insulation class:</b>	<b>□/II</b>

# WHOLESUN



## HIGH PRESSURE WASHER INSTRUCTION MANUAL



## GENERAL SAFETY INFORMATION

### IMPORTANT SAFETY INSTRUCTIONS

**WARNING** – When using this product basic precautions should always be followed, including the following:

1. Read all the instructions before using the product.
  2. To reduce the risk of injury, close supervision is necessary when a product is used near children.
  3. Know how to stop the product and bleed pressures quickly. Be thoroughly familiar with the controls.
  4. Stay alert – watch what you are doing.
  5. Do not operate the product when fatigued or under the influence of alcohol or drugs.
  6. Keep operating area clear of all persons
  7. Do not overreach or stand on unstable support. Keep good footing and balance at all times.
  8. Follow the maintenance instructions specified in the manual.
  9. This Product Is Provided With A Ground Fault Circuit Interrupter Built Into The Power Cord Plug. If Replacement Of The Plug Or Cord Is Needed, Use Only Identical Replacement Parts.
- WARNING** – Risk of Injection or Injury– Do Not Direct Discharge Stream At Persons.

### SAVE THESE INSTRUCTIONS

### GROUND FAULT CIRCUIT INTERRUPTER PROTECTION

This pressure washer is provided with a ground-fault circuit-interrupter (GFCI) built into the plug of the power-supply cord. This device provides additional protection from the risk of electric shock. Should replacement of the plug or cord become necessary, use only identical replacement parts that include GFCI protection.

### SERVICING OF A DOUBLE- INSULATED APPLIANCE

In a double-insulated product, two systems of insulation are provided instead of grounding. No grounding means are provided for a double-insulated product, nor should grounding means be added to the product. Servicing a double-insulated product requires extreme care and knowledge of the system, and should be done only by qualified service personnel. Replacement parts for a double-insulated product must be identical to the original parts. A double-insulated product is marked with the words “Double Insulation” or “Double Insulated.” Product may also be marked with symbol shown below.



Double Insulated Symbol

### CALIFORNIA PROPOSITION 65

This product may contain chemicals known to the State of California to cause cancer and birth defects or other reproductive harm. Wash hands after handling.

## PROBLEM AND SOLUTION

**Warning!** Disconnect from the electrical power supply before carrying out user maintenance. If the mains cable is damaged it must be replaced by the manufacturer, or its service agent or similarly qualified person to avoid a hazard.

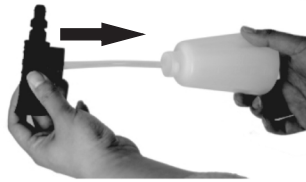
Problem	Possible Cause	Possible Solution
No detergent suction	Injector clogged on pump	Contact Service.
Unit begins to smoke	Overheated, overloaded or damaged motor	Turn off unit and Contact Service
Pressure washer does not start up	<ol style="list-style-type: none"> <li>1. Unit is pressurized</li> <li>2. GFCI has tripped.</li> <li>3. Plug is not well connected or electric socket is faulty</li> <li>4. Extension cord too long or wire size too small</li> <li>5. Main voltage supply too low</li> <li>6. Thermal safety switch has tripped</li> </ol>	<ol style="list-style-type: none"> <li>1. Squeeze trigger on gun</li> <li>2. Push reset button on plug</li> <li>3. Check plug, socket and fuse</li> <li>4. Remove extension cord</li> <li>5. Check that main supply voltage is adequate</li> <li>6. Switch off unit and allow motor to cool down</li> </ol>
Pump does not reach necessary pressure	<ol style="list-style-type: none"> <li>1. Water inlet filter is clogged</li> <li>2. Pump sucking air from hose connections</li> <li>3. Nozzle worn or not correct size</li> <li>4. Unloader clogged or worn</li> <li>5. Valves clogged or worn</li> </ol>	<ol style="list-style-type: none"> <li>1. Clean water inlet filter</li> <li>2. Check that connections and locking ring are properly tightened</li> <li>3. Contact service</li> <li>4. Contact service</li> <li>5. Contact service</li> </ol>
Fluctuating pressure	<ol style="list-style-type: none"> <li>1. Pump sucking in air</li> <li>2. Clogged nozzle</li> <li>3. Valves dirty, worn or stuck</li> <li>4. Water seals worn</li> </ol>	<ol style="list-style-type: none"> <li>1. Check that hoses and connections are tight</li> <li>2. Clean with tip cleaner</li> <li>3. Contact service</li> <li>4. Contact service</li> </ol>
Motor stops suddenly	<ol style="list-style-type: none"> <li>1. Extension cord too long or wire size too small</li> <li>2. Thermal safety switch has tripped due to overheating</li> </ol>	<ol style="list-style-type: none"> <li>1. Remove extension cord</li> <li>2. Check that main supply voltage corresponds to specifications</li> </ol>

## OPERATION

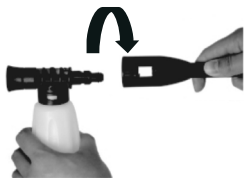
1. Turn the water source on.
2. Turn the switch to ON position.
3. Press the ON button in the gun handle.
4. Pull the trigger, high pressure water flow will come out.  
You could start your clean job.
5. When you finish your clean job turn the switch to OFF position.
6. Unplug the power cord from the power outlet.
7. Turn off water supply.
8. After motor and water supply are turned off trigger gun to depressurize system.

## TO WASH WITH DETERGENT

1. Unscrew the detergent bottle on the detergent dispenser and fill applicator with detergent.



2. Close detergent bottle in detergent dispenser.
3. Remove the spray lance from trigger gun. And replace the detergent dispenser in to the trigger gun.

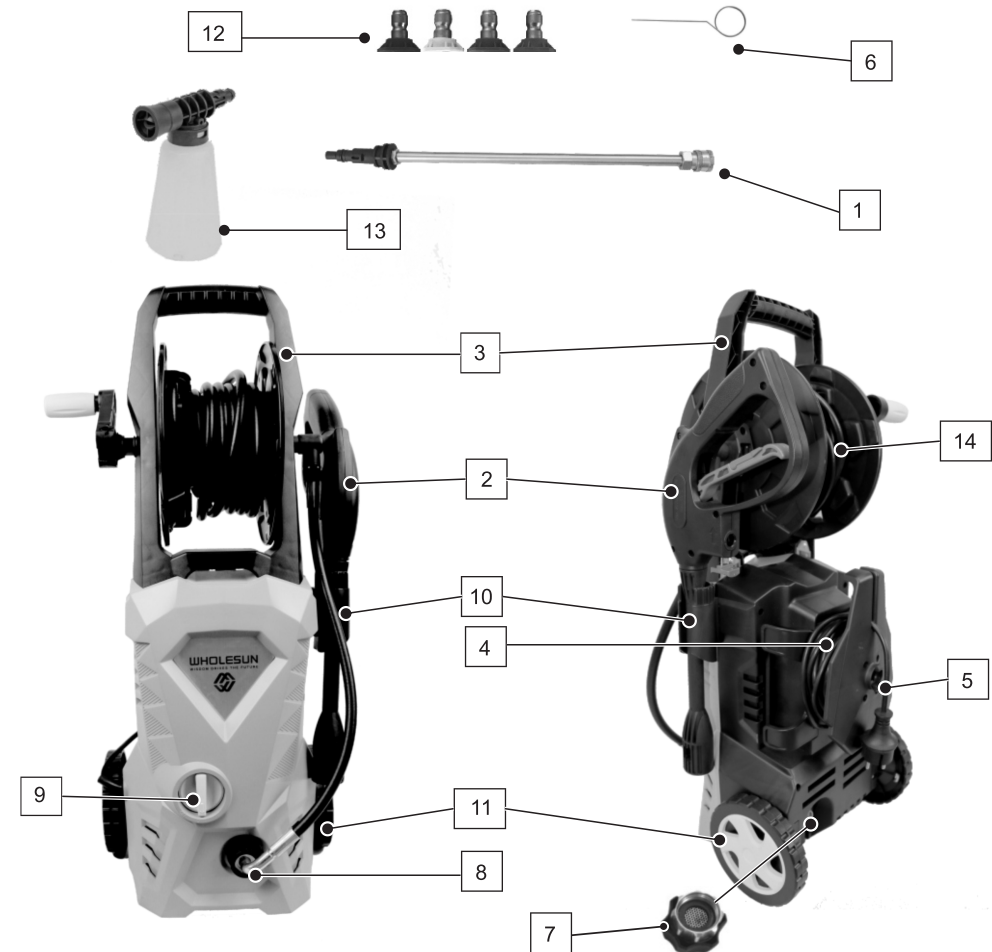


5

## ACCESSORY

When unpacking this product, check to make sure parts listed below are included and carefully inspect for any damage that may have occurred during transit. If any part is missing and damaged, do not attempt to assemble or use the product.

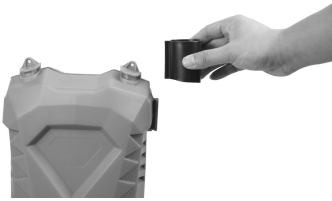
1. Lance	2. Gun stock
3. Handle	4. Cable
5. Cable stock	6. needle
7. Inlet filter	8. Outlet
9. Switch	10. Mesh stock
11. Wheel	12. 4 nozzles
13. Soap bottle	14. Hose reel



2

## ASSEMBLY

1、 Attach the Mesh Stock.



2、 Attach the Hose Reel Handle.



3、 Attach the Cable Stock.



4、 Attach the high pressure hose.



5、 Mount the lance to the gun and nozzle to the lance



6、 The water inlet connector to the connect the garden hose the to water inlet filter.

