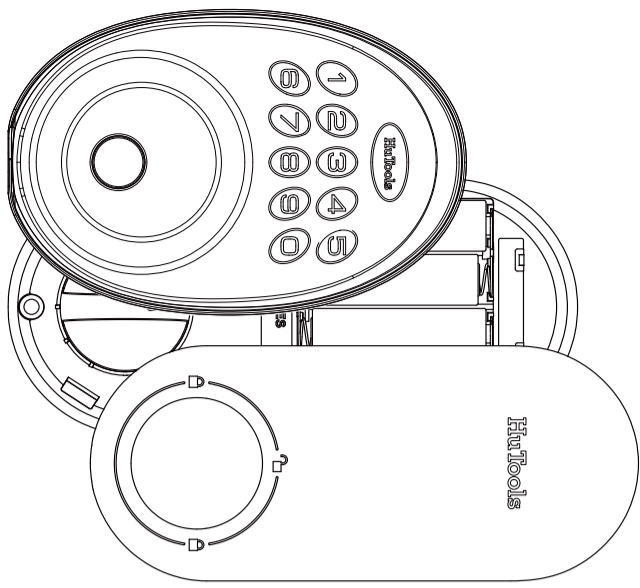


Read this manual carefully before installing and operating!



HuTools HT02 Installation Guide

Installation Overview

△ Read this manual carefully before installing and operating!

1 Install the physical lock
(Step 1-7)

Detect door orientation
(Step 8-9)

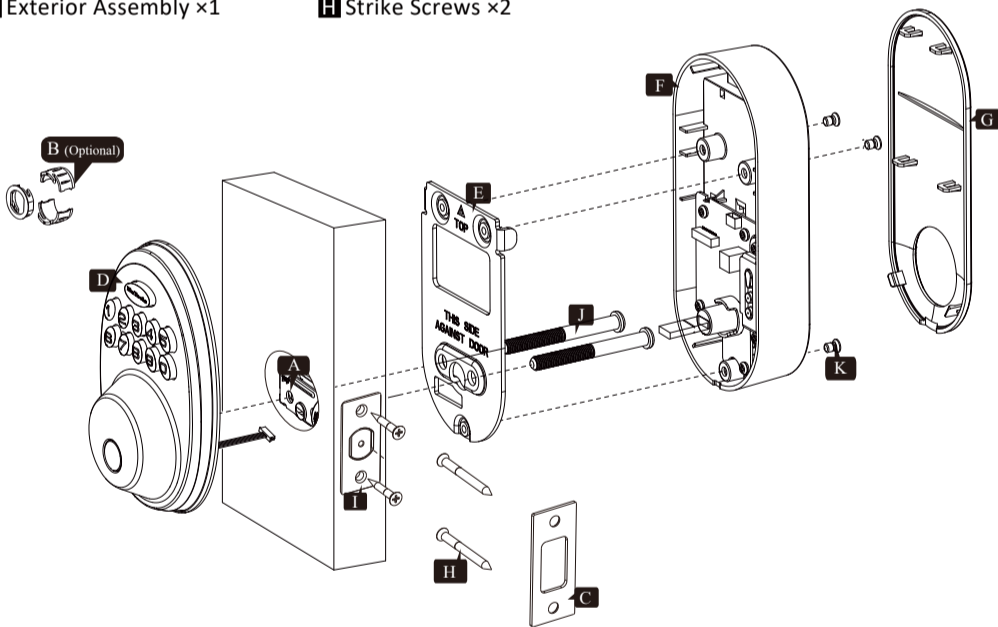
2 Change the default master code
(See Quick Set Up)

Customize setting
(See Quick Set Up)

3

Contents

- A** Latch ×1
- B** Drive-In Collar ×1
- C** Strike ×1
- D** Exterior Assembly ×1
- E** Mounting Plate ×1
- F** Interior Assembly ×1
- G** Battery Cover ×1
- H** Strike Screws ×2
- I** Latch Screws ×2
- J** Mounting Plate Screws ×2
- K** Interior Assembly Screws ×3



If any parts are missing or damaged, please contact Customer Support.

TOOL REQUIRED:



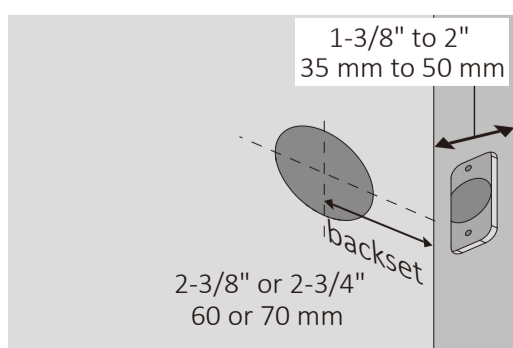
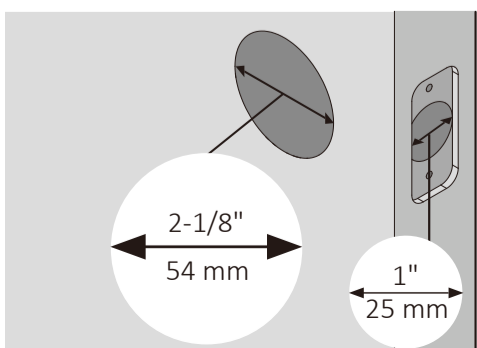
USE OF A POWERED
SCREWDRIVER IS
NOT RECOMMENDED

Installation

STEP

1

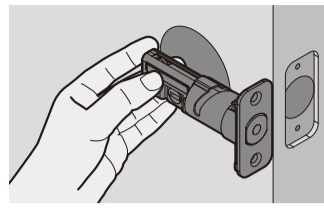
Prepare the door and check dimensions



STEP

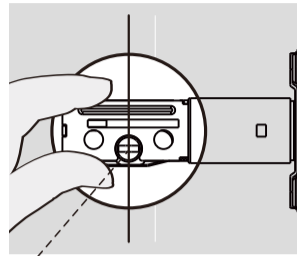
2

Determine backset and adjust the latch



Hold the latch in front of the door hole, with the latch face flush against the door edge. Is the slotted hole centered in the door hole?

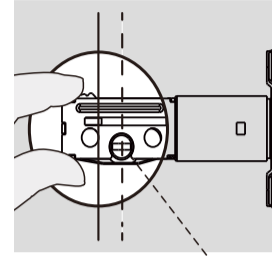
YES



Slotted hole is centered.

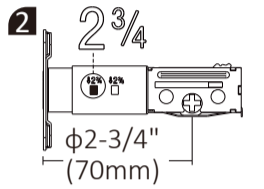
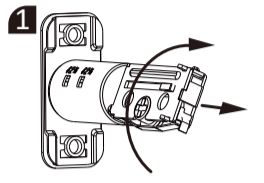
No adjustment is required.
Proceed to next step.

NO



Slotted hole is NOT centered.

Rotate and pull the latch as shown to extend latch.



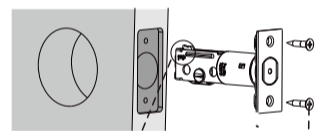
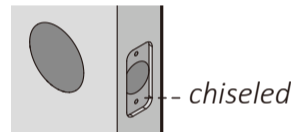
STEP

3

Install the latch

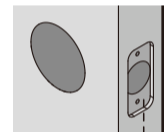
Is the door edge chiseled?

YES

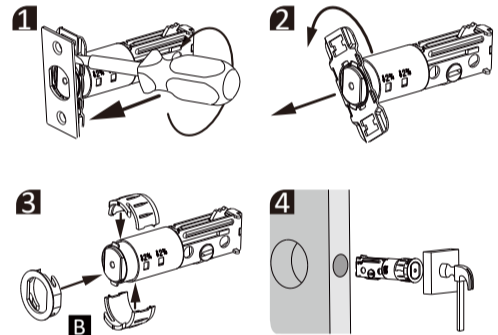


Do not overtighten screws.

NO



not chiseled

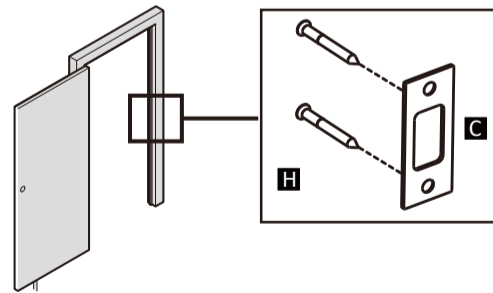


Install latch in door with wood block and hammer.

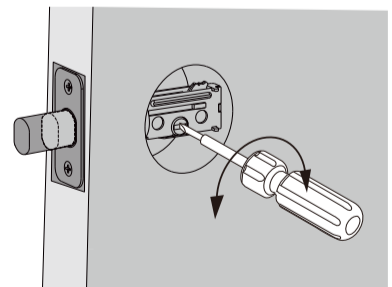
STEP

4

Install strike and test alignment



IMPORTANT: Make sure hole in door frame is drilled a minimum of 1" (25 mm) deep.




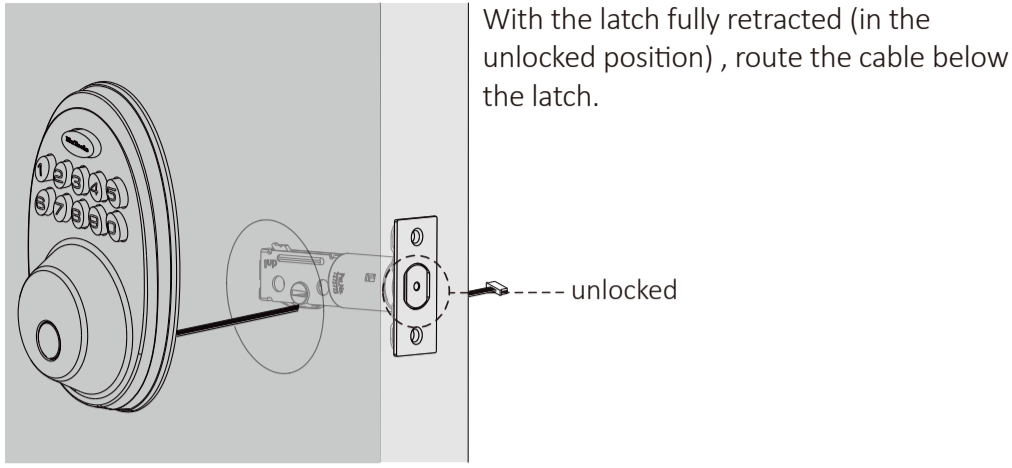
1. With the door closed, use a flat-head screwdriver to test if deadbolt works smoothly.

2. Check alignment between the latch and the strike, making sure when the deadbolt is extended, it is going into the bolt hole and not hitting the deadbolt strike or door frame.

STEP

5 Install exterior assembly

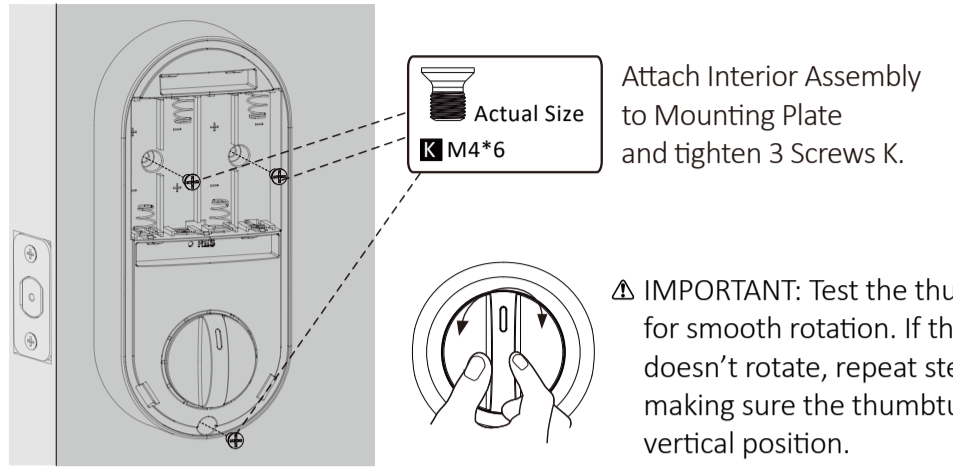
5A  IMPORTANT: Do not insert the physical key until lock is completely installed.




With the latch fully retracted (in the unlocked position), route the cable below the latch.

STEP

7c

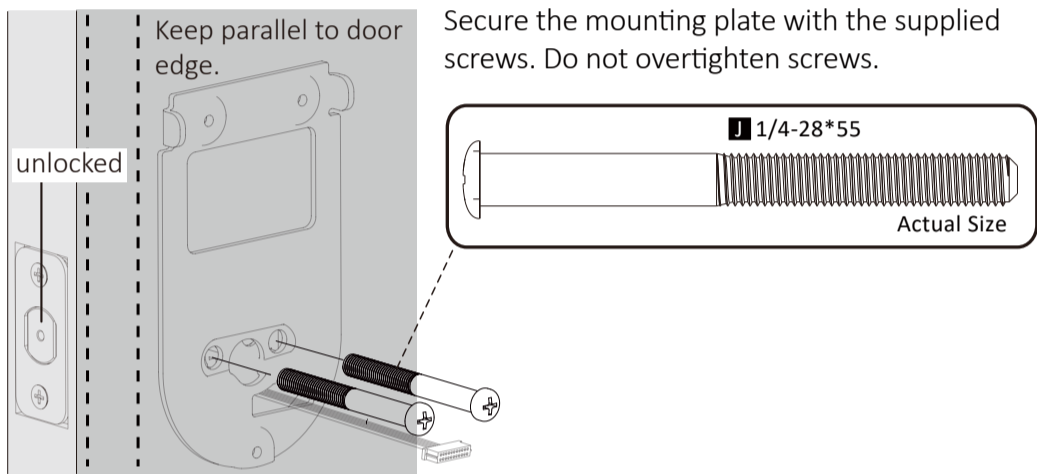


Attach Interior Assembly to Mounting Plate and tighten 3 Screws K.

 IMPORTANT: Test the thumbturn for smooth rotation. If thumbturn doesn't rotate, repeat step 7B, making sure the thumbturn in vertical position.

STEP

5B




Keep parallel to door edge.

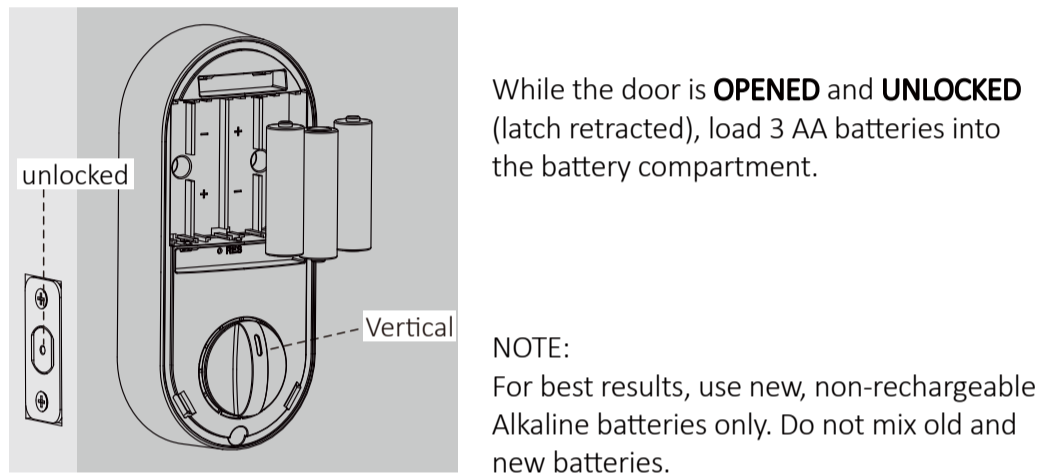
Secure the mounting plate with the supplied screws. Do not overtighten screws.

STEP

8A Door handing

Perform a factory reset to detect left/right door orientation.

8A  IMPORTANT: Always run this step after installation. The motor will not operate before completing the step.




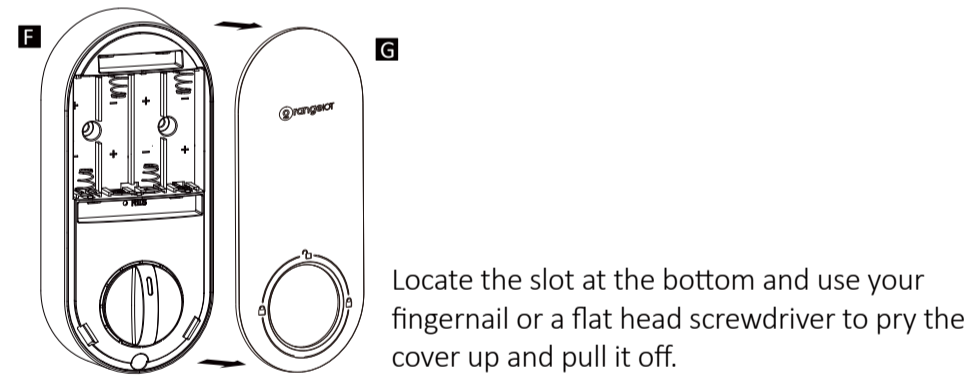
While the door is **OPENED** and **UNLOCKED** (latch retracted), load 3 AA batteries into the battery compartment.

NOTE: For best results, use new, non-rechargeable Alkaline batteries only. Do not mix old and new batteries.

STEP

6 Remove battery cover

6  IMPORTANT: Do not load batteries until lock is completely installed.

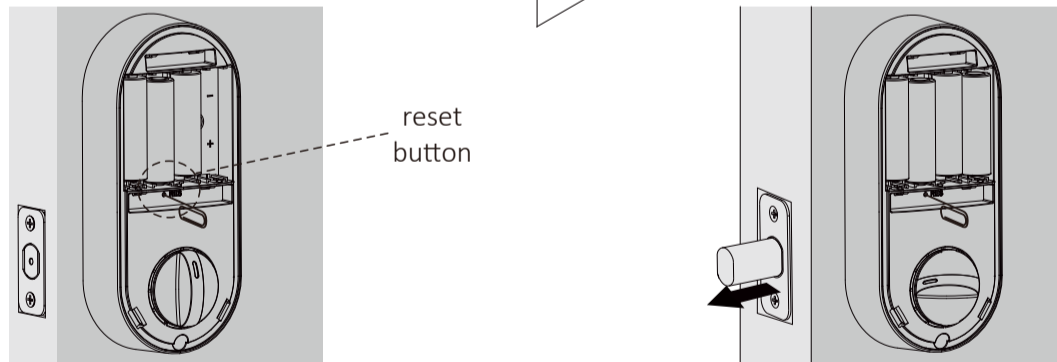



Locate the slot at the bottom and use your fingernail or a flat head screwdriver to pry the cover up and pull it off.

STEP

8B

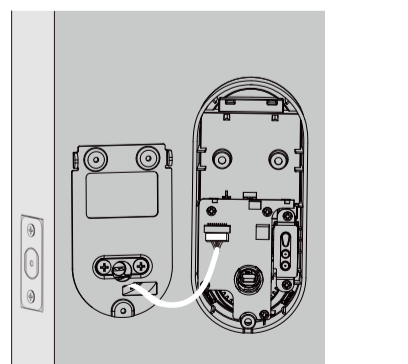
Press the Reset button first and keep holding it while you place the 4th battery.  Do not release the reset button, keep holding the reset button, until the latch bolt extend.



 IMPORTANT: If the latch doesn't extend within 10 seconds, repeat step 7B and 8A, making sure the thumbturn is always vertical and latch always retracted.

STEP

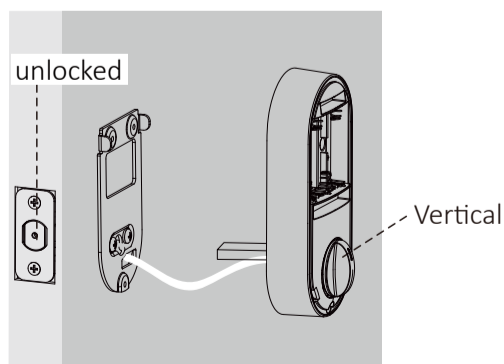
7A Install interior assembly



Insert the cable connector to the socket. Push the connector in firmly until it is completely seated.

STEP

7B



- Rotate the thumbturn and keep it in a vertical position.
- Make sure the latch is still fully retracted (unlocked).

STEP

9 Test the lock

Test with the door open to avoid an accidental lockout.



Lock
Press and hold any button for 2 seconds.

Unlock
Enter 12345678 →  on keypad

Programming Instruction

► How To Use

A. UNLOCK the door with fingerprint ID



Touch and hold the Sensor with your finger to unlock the lock.

B. UNLOCK the door from outside

Master code → Or User code →

C. LOCK the door from outside

Auto Lock Mode

The bolt will automatically extend in 30 seconds after unlocking. You need to enable this feature by programming.

Manual Mode

Press any button on keypad for 2 seconds



► Programming Basic

⚠ READ this before proceeding to programming.

A. Master Code

- The default master code is 12345678. This code must be changed prior to programming the lock.
- The Master Code is used for programming and for feature settings. It will also unlock the lock.

B. Code Format

- Code is 4-10 digits.
- Both master code and user code do not support the following sequence.

a. Forward number sequence	1	2	3	4	5	6	7	8	9	✗
b. Backward number sequence	9	8	7	6	5	4	3	2	1	✗
c. Repeat number sequence	2	2	2	2	2	2	2	2	2	✗
d. Contain existing code sequence	If	5	6	8	3	✓				
	Then	5	6	8	3	9	1			✗
	and	9	1	5	6	8	3			✗

C. Wrong Entry Limit

- After 10 unsuccessful attempts at entering a valid PIN code, the unit will shut down for 3 minutes.

D. Unlock with Fake code

- User can prevent pin code exposure from strangers by entering random digits before or after pin code.

83618 137192 14710
 password
 Random digits

E. Battery Indicator

- If you hear 10 beeps corresponding with 10 red flashes after pressing any key or lock and unlock the door, that's an indication that the batteries need to be replaced soon. Please replace with 4 new AA alkaline batteries and do not mix old and new batteries. All settings are retained in the memory when the batteries are removed and replaced.

F. Emergency Power Port

- Supply power by connecting an external power bank to the micro USB port under the keypad, when batteries are dead.

► Quick Set Up



IMPORTANT:

- Each programming step needs to be completed within 5 seconds.
- If you hear 5 rapid beeps that indicates entry error or time-out. Please start over.

★ A. Change Master Code



The default Master Code is 12345678. It is required that you change it to a code of your own before programming.

→ → Master Code → → 1 → New Master Code →
 → Enter the New Code Again →

B. Add User Code

- Up to 20 User Codes can be stored.

→ → Master Code → → 2 → New User Code →
 → Enter the New User Code Again →

C. Delete User Code

→ → Master Code → → 3 → Unwanted User Code →

D. Add User Fingerprint

- Up to 20 fingerprints can be stored.

→ → Master Code → → 4 → Scan Fingerprint 8 Times

E. Delete User Fingerprint

→ → Master Code → → 5 → Scan Unwanted Fingerprint 1 Times

F. Enable Silent Mode

- The beep sounds when pressing keypad can be muted. But you will still hear low battery and system alerts.

→ → Master Code → → 6 → 2 →

G. Disable Silent Mode

→ → Master Code → → 6 → 1 →

H. Enable Auto Lock

- Automatically locks the deadbolt 30 seconds after unlocking. This feature is off by default.

→ → Master Code → → 7 → 1 →

I. Disable Auto Lock

→ → Master Code → → 7 → 2 →

J. Vacation Mode

- This is a security feature for you when you are leaving your home for vacation or long trip. Enabling vacation mode will restrict all user codes until master code is entered on keypad. If the lock is unlocked by thumb turn, the lock will sound an alarm.

→ → Master Code → → 8 →

K. Add One-Time Code

- This code can only be used once and is automatically deleted when used.

→ → Master Code → → 9 → New Master Code →
 → Enter the New User Code Again →

L. Set Auto Lock Time Delay


- You can set the Auto Lock time delay between 10 and 99 seconds.

→ → Master Code → → 0 → Enter New Duration Time(10-99)
 →

► Factory Default Settings

Settings	Factory Default
Master Code	12345678
Auto Lock	Disabled
Silent Mode	Disabled
Wrong Code Entry Limit	10 times
Vacation Mode	Disabled

► How To Reset

 **IMPORTANT:** By performing the steps below, you will teach the lock the orientation of your door and delete all User Codes associated with the lock.

- Factory reset process is the same as door handing.

Step1 Keep the door opened and make sure the latch is retracted and thumbturn vertical.

Step2 Press and hold the reset button with one hand and the other hand takes out one battery and places it back.

Step3 Do not release the reset button after battery is connected, instead, keep holding it until the latch automatically extends.

► Safety Warnings

- Protect your User Codes and Master Code.
- Restrict access to your lock's interior assembly and routinely check your settings to ensure they have not been altered without your knowledge.
- Proper cleaning and maintenance of your lock ensures it will continue to work as it should.
- Do not apply cleaner or detergent directly to any part of the lock.
- The HuTools meets IP54 water-resistance. It can withstand water splashes ; however, do not let water and liquids get into the lock.
- Avoid exposure to direct sunlight. Long-term exposure to direct sunlight may damage the lock.
- The temperature range of the HuTools is between -4°F to 131°F.

► Troubleshooting

1 Problem: When resetting the lock, the latch does not extend but I can hear the motor is turning.

Cause(A): The latch and strike are misaligned, causing the latch to bind.

Solution(A): a. Adjust the position of the strike plate.

b. Make sure you reset the lock with the door opened.

Cause(B): Internal electronic components have a residual charge which the lock tries to use, and it is not adequate to allow the lock to function when connecting the batteries.

Solution(B): Disconnect the batteries. Press and release any key on the keypad and keep the batteries disconnected for at least 5 minutes. If there is residual charge within the lock, this will consume the charge.

Cause(C): The mounting screws securing the exterior keypad and the latch bolt are over-tightened.

Solution(C): Slightly loosen the screws.

2 Problem: When resetting the lock, the latch does not extend and I can't hear the motor turning.

Cause: The lock is not reset properly.

Solution: Repeat step 7B and 8A, make sure that the thumbturn is vertical and the deadbolt latch is retracted (unlocked) when installing and resetting.

3 Problem: The lock does not lock and unlock electronically.

Cause: The door handing process was not executed.

Solutions: Perform a factory reset to teach the lock the orientation of your door (Step 8).

► Troubleshooting (continued)

4 Problem: After installation, the thumbturn cannot rotate.

Cause(A): The lock is not installed properly.

Solution(A): Remove and re-install the whole lock, making sure that the thumbturn is vertical and the lock is in unlock position when installing.

Cause(B): Internal electronic components have a residual charge which the lock tries to use, and it is not adequate to allow the lock to function when battery connected.

Solution(B): Disconnect the batteries. Press and release any key on the keypad and keep the batteries disconnected for at least 5 minutes. If there is residual charge within the lock, this will consume the charge.

5 Problem: The lock doesn't recognize my fingerprint correctly; I cannot use fingerprint to unlock.

Solution: a. Fingers that are too clean or too dry can be difficult for the reader to recognize. Rubbing your finger on your forehead before placing it on the reader sometimes helps. If this does not help, try registering your fingerprint again. Do not use hand sanitizer or wash your hands just prior to using the fingerprint reader.

b. If the reader is in direct sunlight use your other hand to shield it from the sunlight while your fingerprint is being identified.

6 Problem: The keypad doesn't respond when touched (no lights are visible and no beeping is heard) .

Cause: The lock has no power.

Solution: a. Make sure the cable is properly connected.

b. Change the batteries with 4 fresh AA standard alkaline batteries. Do not mix old and new batteries.

c. If the above does not help, please connect a power bank to the micro USB port, to see if the lock can be powered up.

8 Problem: When attempting to lock the deadbolt electronically, the latch goes in and out for a few times.

Cause: The latch and strike are misaligned.

Solution: a. Make sure the bolt hole on the door frame is at least 1 inch deep so the bolt fully extends.

b. Check if the door closes properly. Make sure when the dead bolt is extended, it is going into the bolt hole and not hitting the deadbolt strike or door frame.

c. Check for loose door hinges.

9 Problem: When attempting to unlock the deadbolt electronically, the latch goes in and out for a few times.

Cause: As in the problem with locking the bolt, the bolt may be binding against the strike plate. There may be interference, especially if the door has warped due to a change in the weather.

Solution: a. Check if the door closes properly. Make sure when the deadbolt is extended, it is going into the bolt hole and not hitting the deadbolt strike or door frame.

b. Check for loose door hinges

10 Problem: I received 5 rapid beeps when programming.

Cause: a. Time-out

b. Wrong entry

Solution: a. Complete each step within 5 seconds.

b. Change the default master code before programming.

c. Enter a new code in correct format and within 4 to 10 digits.

11 Problem: I forgot my Master Code.

Solution: Perform a factory reset. Once the reset is completed, all codes and settings will be erased and the master code will return to the default value (12345678) .

12 Problem: I lost all the preset codes after door handing.

Cause: Door handing is the same as factory reset. You lock has restored to factory default.

Solution: Re-program your codes.

* If none of the above resolves your issue, please contact us.