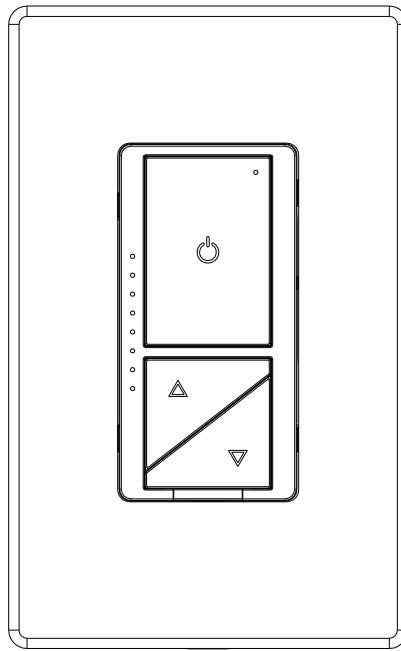




# MEW-DM680

## User Instructions



Model No.	MEW-DM680
Rated Voltage	120V
Rated Frequency	60Hz
Rated Wattage	Incandescent: 600W LED/CFL: 200W
Dimming Method	Phase-cut
Working Environment	Temperature: -20°C to 40°C
Model Size	4.14" L x 1.17" W x 1.28" D

✉ info@maxximastyle.com

☎ 866-MAXXIMA (629-9462)

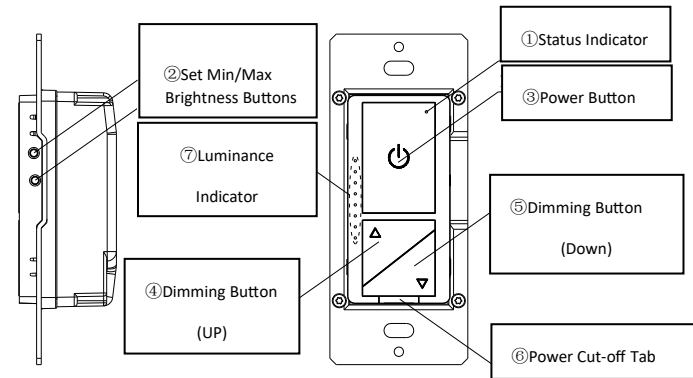
🌐 www.maxximastyle.com

📍 125 Cabot Court Hauppauge, NY 11788

## ⚠ Warnings and Cautions

- 1.1** Risk of fire and electrical shock, the dimmer should be installed in accordance with appropriate electrical codes and regulations.
- 1.2** Turn power off at the circuit breaker or fuse before installing.
- 1.3** Please Read ALL instructions before attempting to install this device.
- 1.4** If you are unsure about any part of these instructions, consult a licensed electrician.
- 1.5** To reduce the risk of overheating and possible damage to other equipment, do not install to control a receptacle, a motor-operated appliance or a transformer-supplied appliance.
- 1.6** Use with compatible dimmable LED, CFL bulbs, Incandescent or halogen bulbs only.
- 1.7** When multiple bulbs are used with one dimmer DO NOT mix bulb types. All bulbs shall be either LED, CFL or incandescent. Using the same model of each bulb will enhance dimmer performance.

## Functional Specifications



### ① Status Indicator

- Indicator lights red: OFF status
- Indicator lights green: ON status

Short press: Within 0.5s  
 Long press: Over 0.5s  
 Continuous short press: Each interval of short press should within 1s

### ② Set Minimum/Maximum Brightness using side Buttons

To set the minimum brightness level, short press the low button to decrease the minimum brightness. To set the maximum brightness level, short press the high button to increase the maximum brightness levels.

### ③ Set Minimum/Maximum Brightness using Power Button

- Turn on: Short press once when in OFF.
- Turn off: Short press once when in ON.
- Short press the power button six times to set the light to minimum brightness when in ON status.
- Short press the power button eight times to set the light to maximum brightness when in ON status.
- Continuous short press nine times to clear the setting brightness when in ON status.
- Continuous short press ten times and the status indicator flash three times to restore the factory default settings. When in the maximum brightness status.

### ④ Dimming Button (UP)

- Short press the dimming button once can increase a level of brightness when in ON status.
- Long press the dimming button can continuous to increase the brightness until release or reach the maximum brightness.
- Continuous short press two times to turn quickly to the maximum brightness.

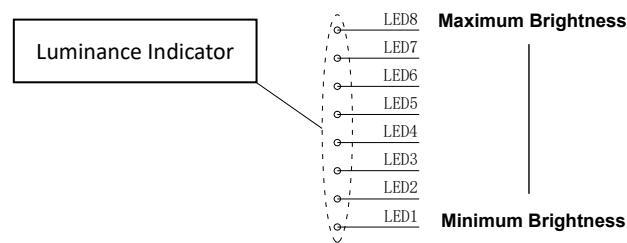
### ⑤ Dimming Button (Down)

- Short press the dimming button once can decrease a level of brightness when in ON status.
- Long press the dimming button can continuous to decrease the brightness until release or reach the minimum brightness.
- Continuous short press two times to turn quickly to the minimum brightness.

### ⑥ Power Cut-off Tab

- Push in the power cut-off tab to connect the power.
- Pull out the power cut-off tab to cut off the power.

### ⑦ Luminance Indicator

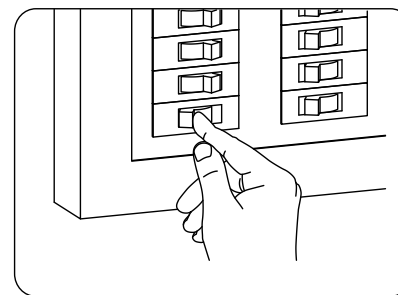


## Tools Needed for the Install

- Screwdriver ●Pliers ●Wire Strippers

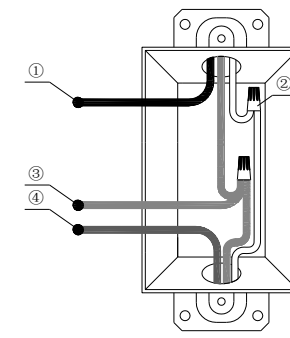
## Installation

- 1. ⚠WARNING:** To avoid fire and electrical shock, TURN OFF POWER at circuit breaker or fuse and test that power is off



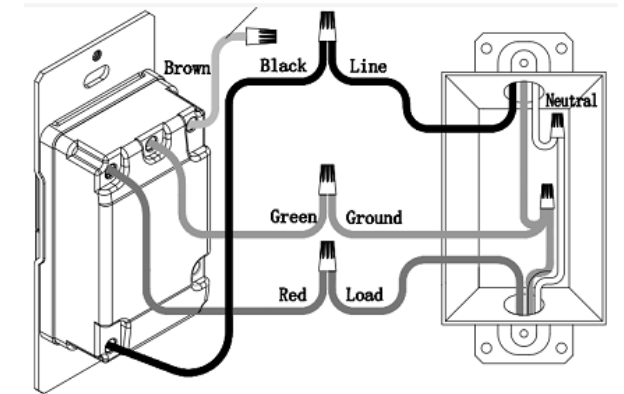
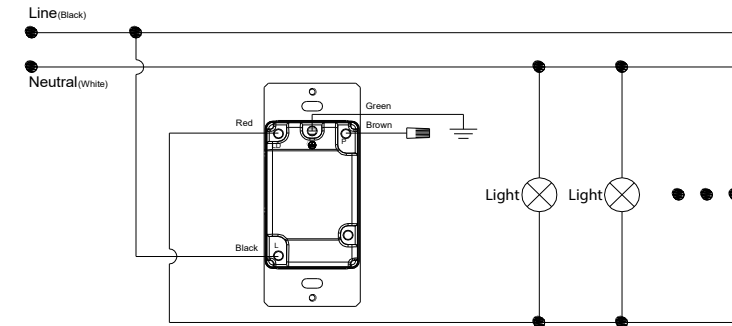
2. Remove the screws installed on the existing wall plate and switch. Pull the existing switch out. (The above step is not required for new installation.)
3. Identify the wires coming from the breaker. Take a picture of the connections for reference. Remove the connections between the wire from the wall box and the device.

Note: If the wires in the wall box are different from the following layouts, please consult an electrician.



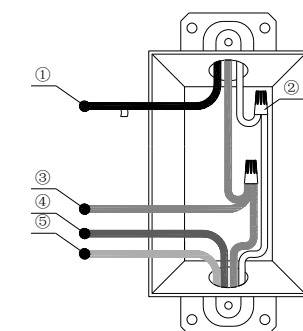
### Single Pole Install:

1. Line
2. Neutral
3. Ground
4. Load



Note: The brown wire should only be used for 3-way installation. In a single-pole application, the brown wire should be protected by a wire nut.

- Connect the green copper dimmer wire with the ground (bare/green) wire of the wall box, tighten with a wire nut.
- Connect the black dimmer wire with the breaker wire (typically black) of the wall box, tighten with a wire nut.
- Connect the red dimmer wire with the load wire (typically red or black) the wall box, tighten with a wire nut.

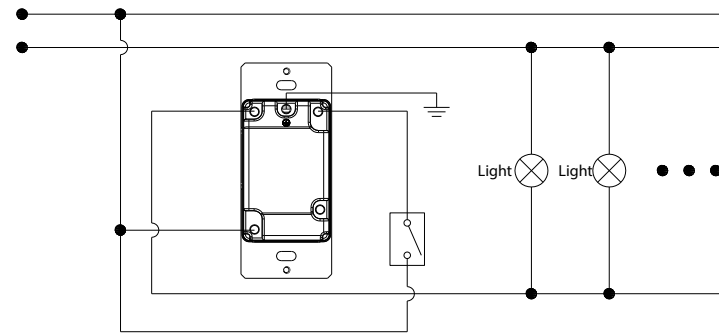


### 3 Way Install:

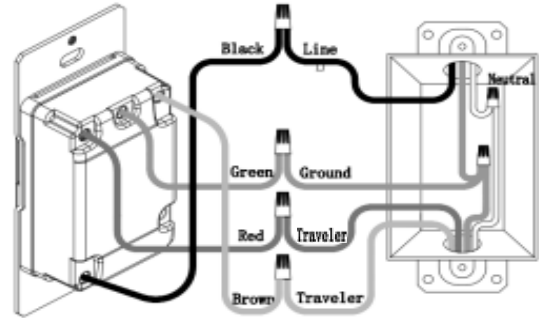
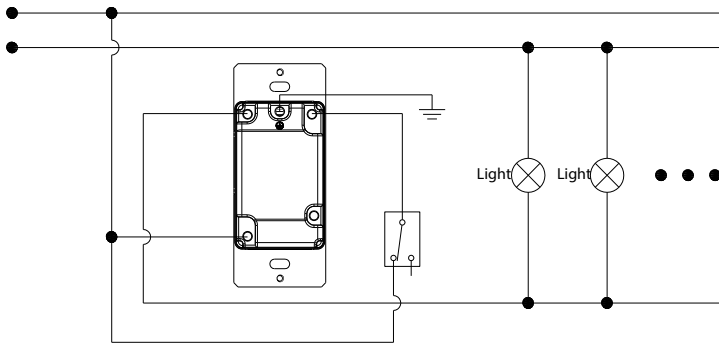
1. Line or Load
2. Neutral
3. Ground
4. Traveler 1
5. Traveler 2

Note: A dark colored screw (typically black or brass) is typically the Hot line. This can make identifying the traveler wires easier. Travelers are interchangeable.

### 3 way connection 1:

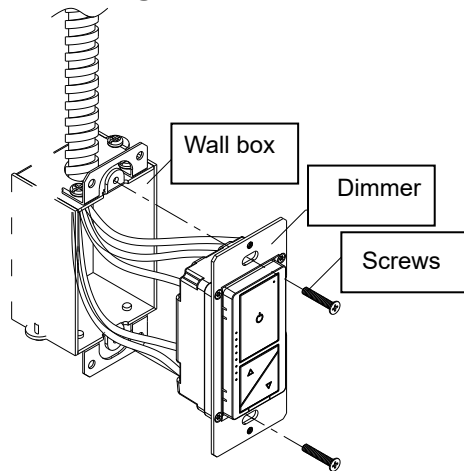


### 3 way connection 2:



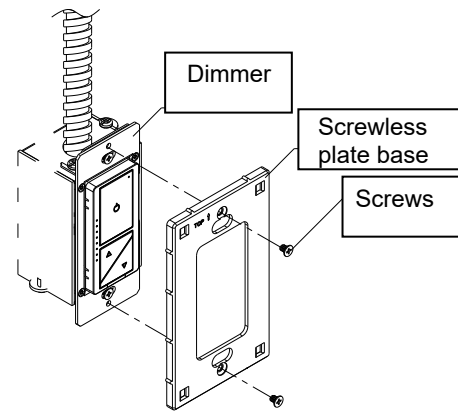
- Connect the green dimmer wire with the green/bare copper wire of the wall box, tighten with a wire nut.
- Connect the black dimmer wire with the breaker wire (typically black) the wall box, tighten with a wire nut.
- Connect the brown dimmer wire with the first traveler wire (typically black or red) of the wall box, tighten with a wire nut.
- Connect the red dimmer wire with the second traveler (typically black or red) of the wall box, tighten with a wire nut.

### Installing The Dimmer

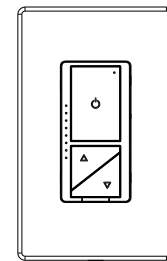
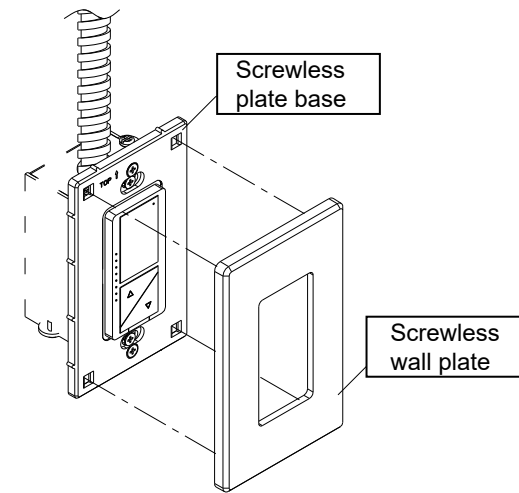


### Installing with the Screwless Wall Plate:

- Install the wall plate base on the dimmer and tighten with matched screws

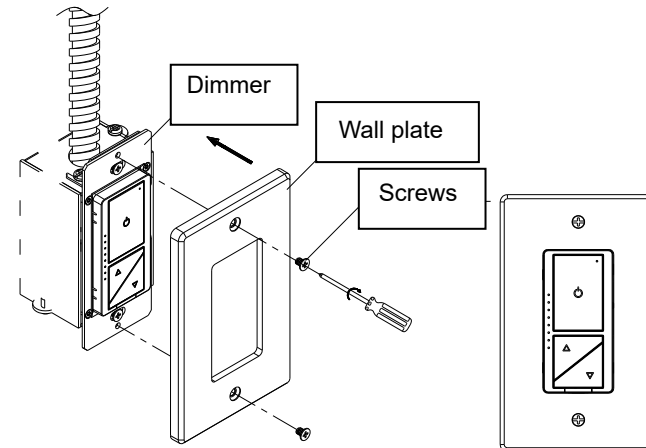


- Put the wall plate and base together, press gently to make sure it is installed firmly.



### Installing with a Wall Plate:

- Install the wall plate on the dimmer and tighten with the matched screws.



### Installation Is Complete. Turn on the Breaker.

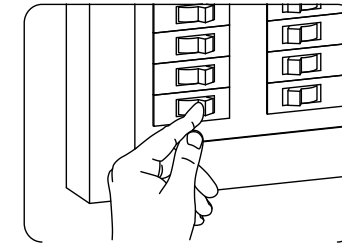


Table 1 Single-Pole

Function	Dimmer Operation Way
ON/OFF	Short press the power button once
Quickly turn to the maximum brightness	Short press the dimming button (UP) twice
Quickly turn to the minimum brightness	Short press the dimming button (DOWN) twice
Setting the maximum brightness	Short press the power button EIGHT times
Setting the minimum brightness	Short press the power button SIX times
Clear the minimum brightness	Short press the power button NINE times
Restore factory setting	Short press the power button TEN times

### Troubleshooting:

Problems	Possible causes	Solutions
Lights Flickering	Lamp has a bad connection	Reconnect and fix the wires
	Dimmer is connected to multiple types of lamps causing an interference and flicker	Change the bulbs to the same type.
	Dimmer Abnormal	Pull the power cut-off tab out to cut off the power to the device. Push the tab back in to reconnect the power to the device.
	Dimmer is not compatible.	Change lamp
LED and CFL flickers at low end of dimming range.	Lamp is operating below minimum brightness	Increase the minimum brightness just above the flicker level.
Lamps are not turning on	Circuit breaker has tripped	Turn power on
	Bad breaker	Change breaker
	Lamp burned out	Change lamp
	Neutral wires are not properly connected	Reconnect the neutral wires

## 2 YEAR WARRANTY

Maxxima extends a 2 year limited warranty to the original purchase that the product listed are free from defects in material and/or workmanship only. Maxxima will replace any warranted product to the original consumer/purchaser if the product fails because of defects due to workmanship and/or materials within the limited warranty period. Limited warranty is not transferable and applies to the original installation of the Maxxima product. This offer does not constitute in any way a product guarantee and Maxxima does not hereby assume any obligation whatsoever beyond sending a free replacement product.