

EVO® 6100 HOW TO...

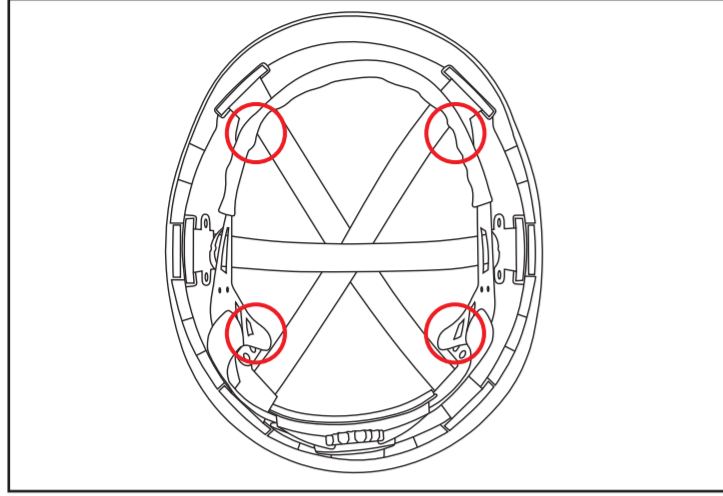


PROTECTIVE INDUSTRIAL PRODUCTS

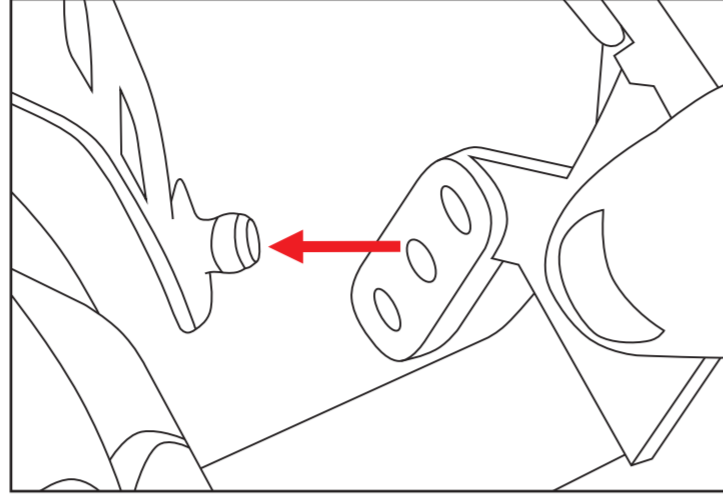


OXFORD, ENGLAND

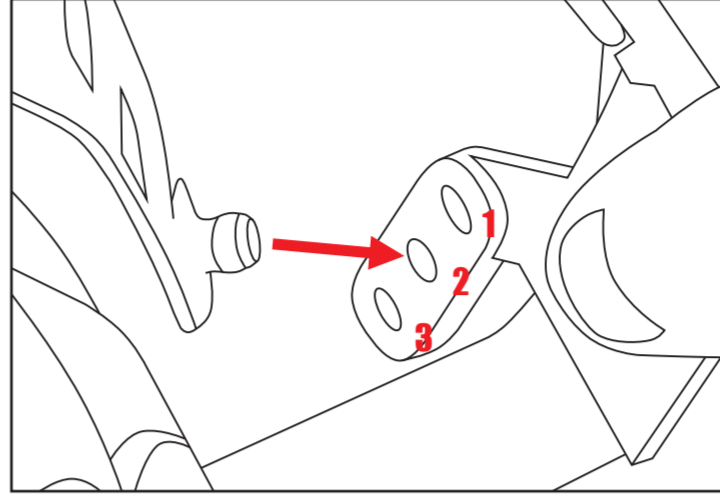
SET THE 3D ADJUSTMENT SYSTEM



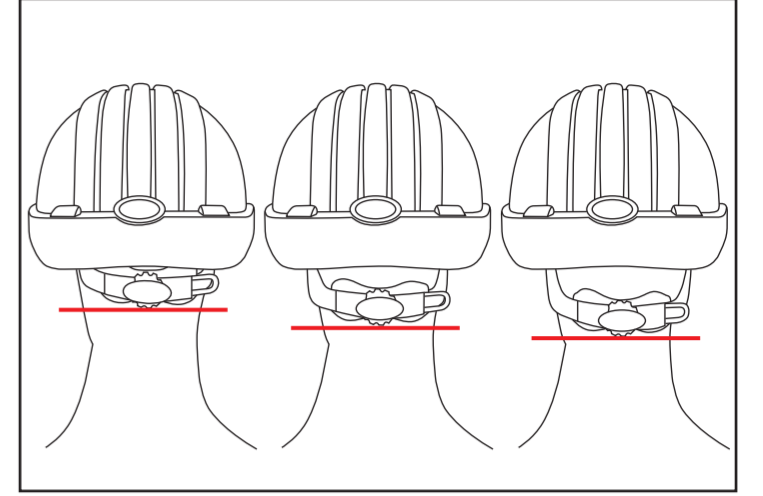
1. The EVO® 6100 features 4 height adjustment points.



2. To adjust the height, un-pop the arm from the receiver (hold the hard hat and receiver firmly whilst doing so).

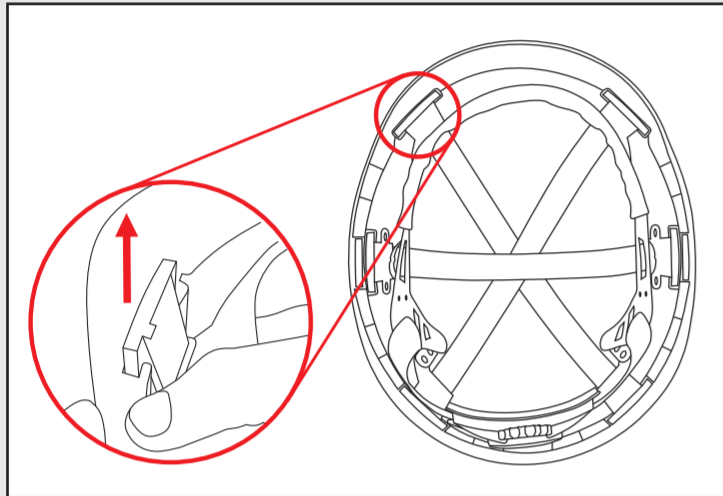


3. Then relocate the arm into 1 of 3 receivers. Repeat this process at all 4 adjustment points.

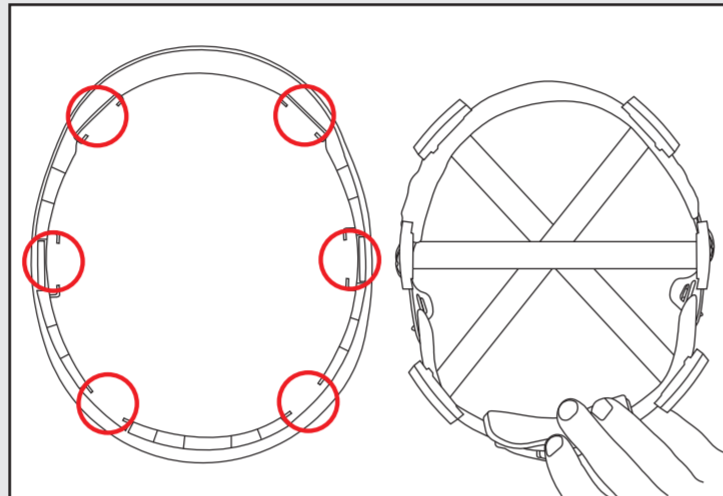


4. This will allow you to adjust the height of the ratchet until the perfect fit is attained.

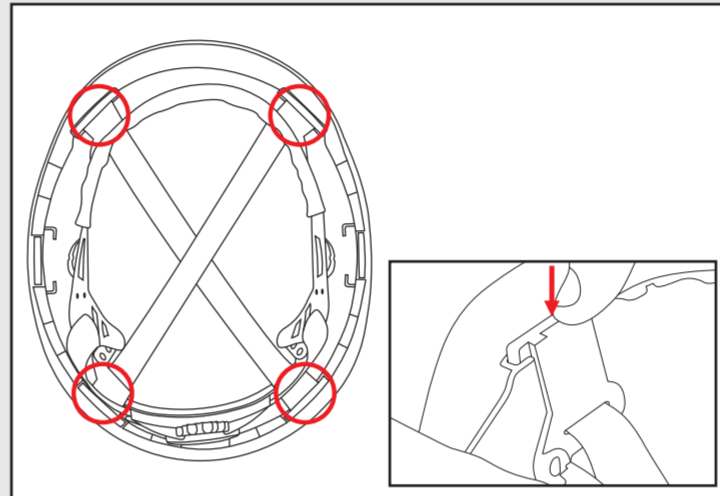
REPLACE THE ENTIRE SUSPENSION SYSTEM



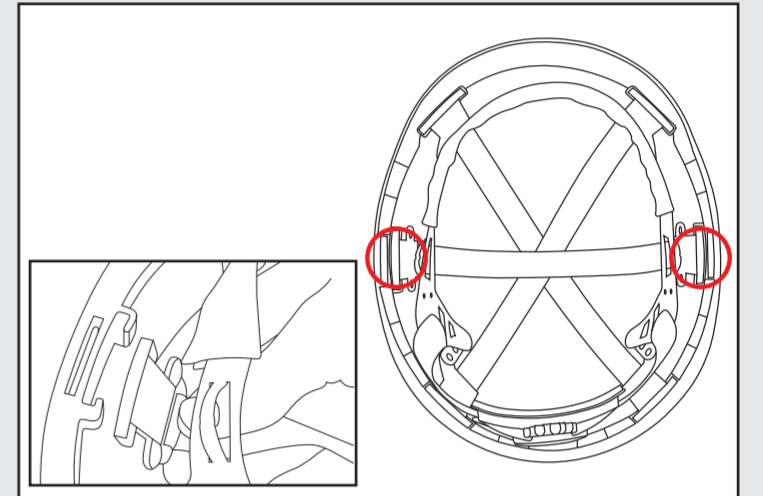
1. Remove the harness by placing your hand on the underside of the clip and pushing upwards and towards the back or front of the hard hat until it slides out of place.



2. Repeat this process for all 6 clips then take the suspension out from the hard hat.

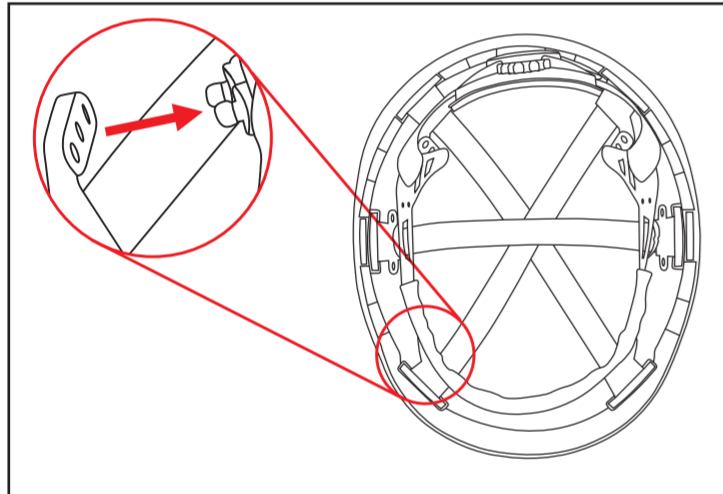


3. Place the new suspension inside the hard hat then click the first clip back down into position. Repeat the process for the 4 main clips.

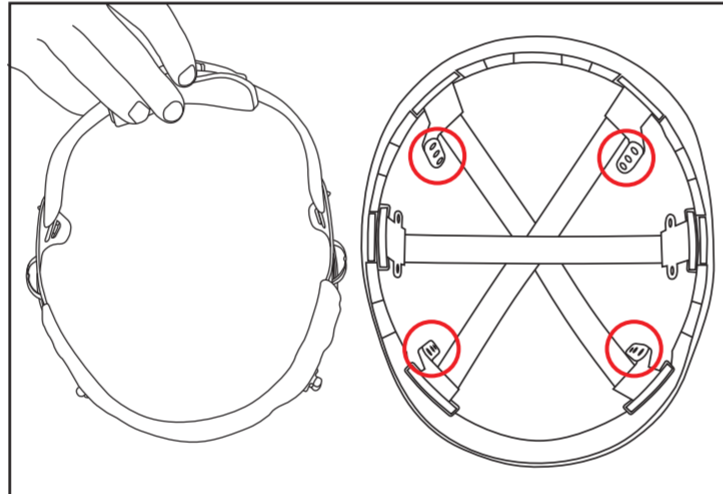


4. Now take the extra strap, thread the first clip between the suspension and the hard hat and click back down. Repeat this for the final clip, making sure that the strap is above the 2 diagonal straps already in place.

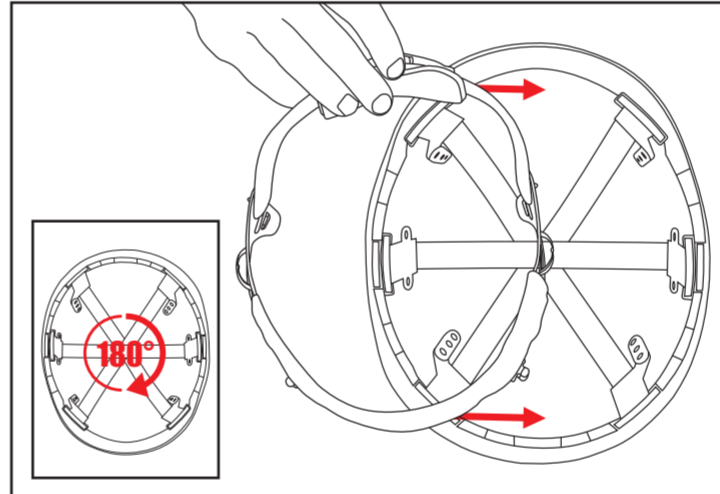
REVERSE THE SUSPENSION



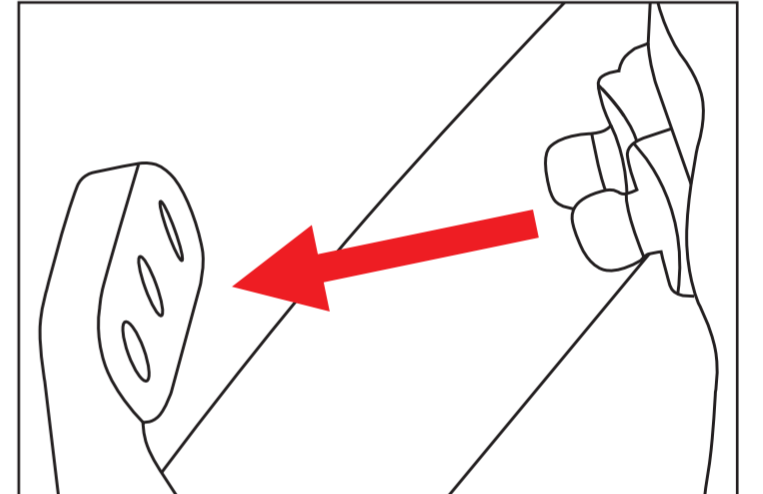
1. Remove the suspension by un-popping the arm from the receiver (hold the hard hat and receiver firmly whilst doing so).



2. Repeat this process for all 4 arms then take the suspension out from the hard hat.

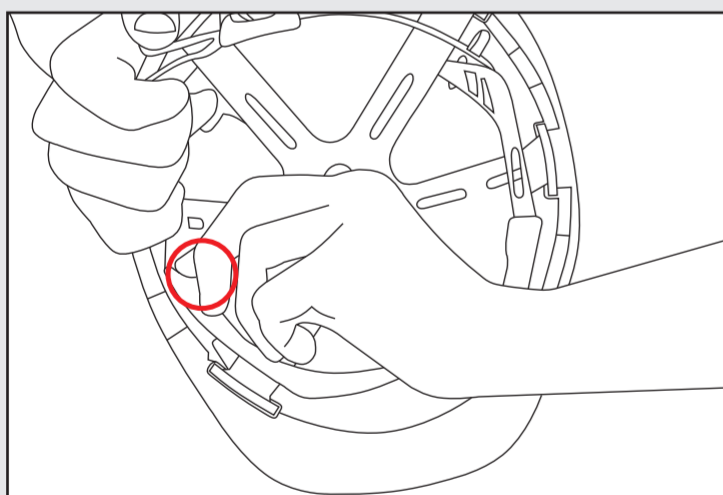


3. Now simply rotate the hard hat by 180° and place the suspension back inside.

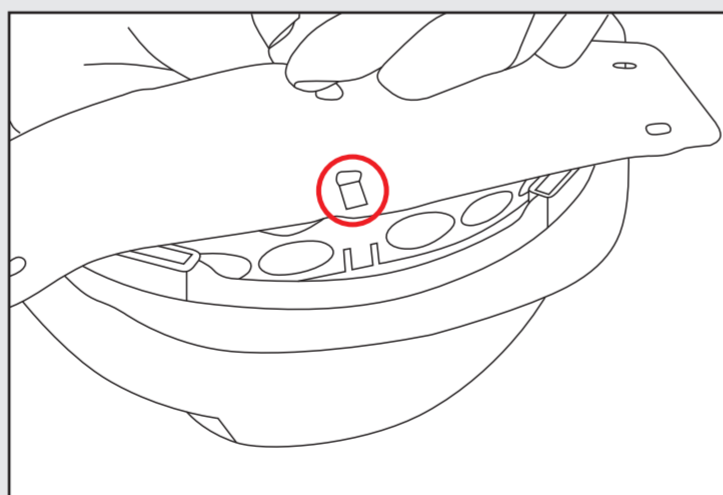


4. Then pop the first arm back into position and repeat the process for all 4 arms.

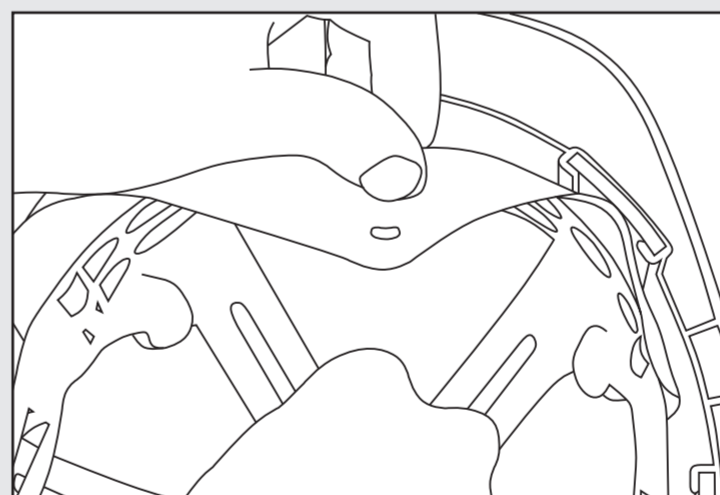
REPLACE THE CHAMLON SWEATBAND



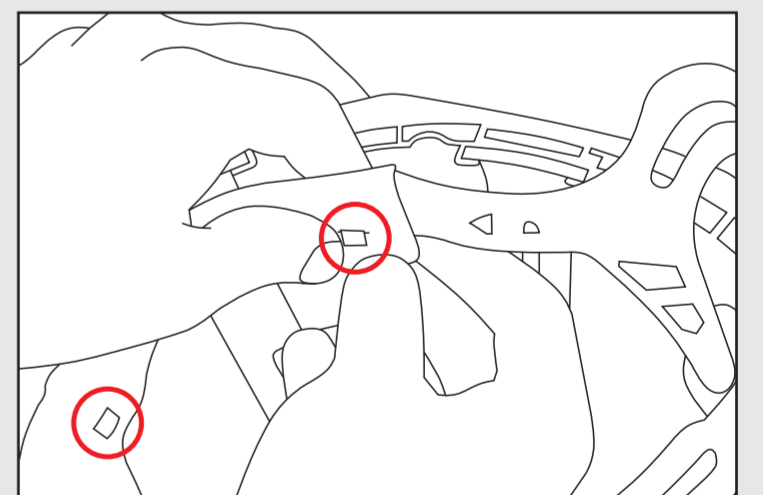
1. Remove the old sweatband from your EVO® safety hard hat by splitting at the weld at either corner and gently peeling the weld apart along the base of the old sweatband.



2. Place the holes from one side of the band over the tabs on the outside of the hard hat's suspension.

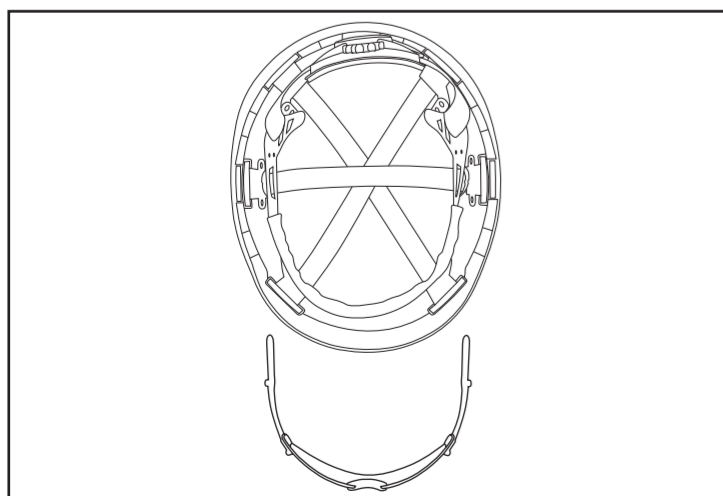


3. Fold the sweatband over the suspension.

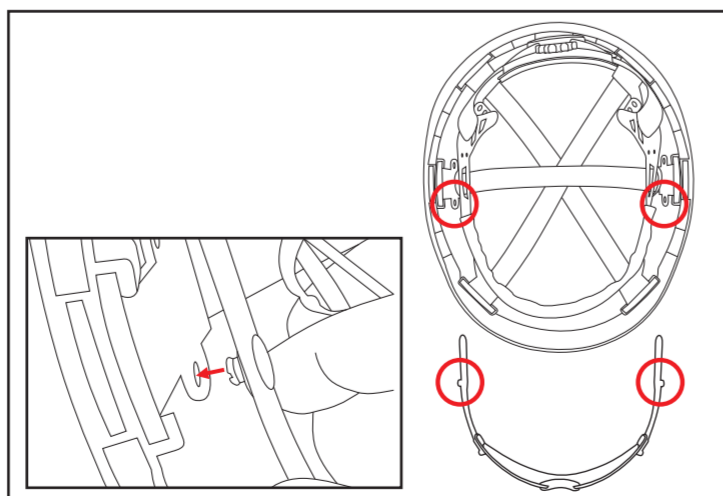


4. Hook the sweatband over the remaining tabs on the inside of the suspension.

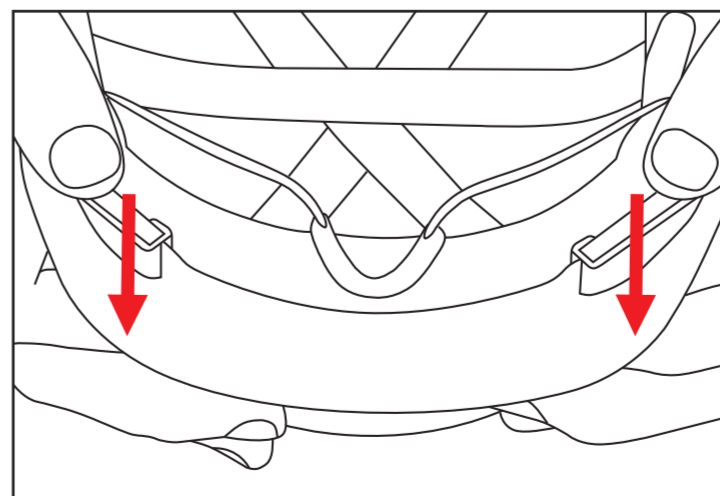
INSTALL EVOSPEC™ EYEWEAR



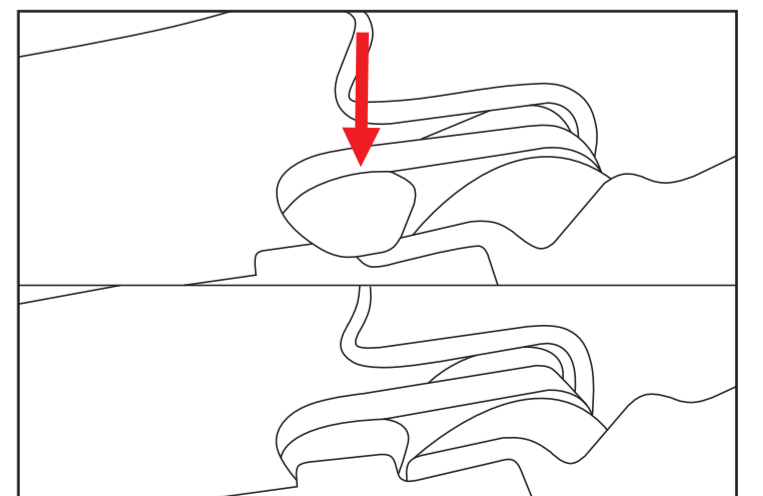
1. Lay the Evolution™ Deluxe hard hat and spec out like this.



2. The pins on the spec arms go into the sockets closest to the front of the hard hat in the centre webbing clip.



3. Once both pins are connected, slide the spec into the hard hat.



4. Push the spec down until the clips on the spec arm clip under the notches on the front webbing clips.