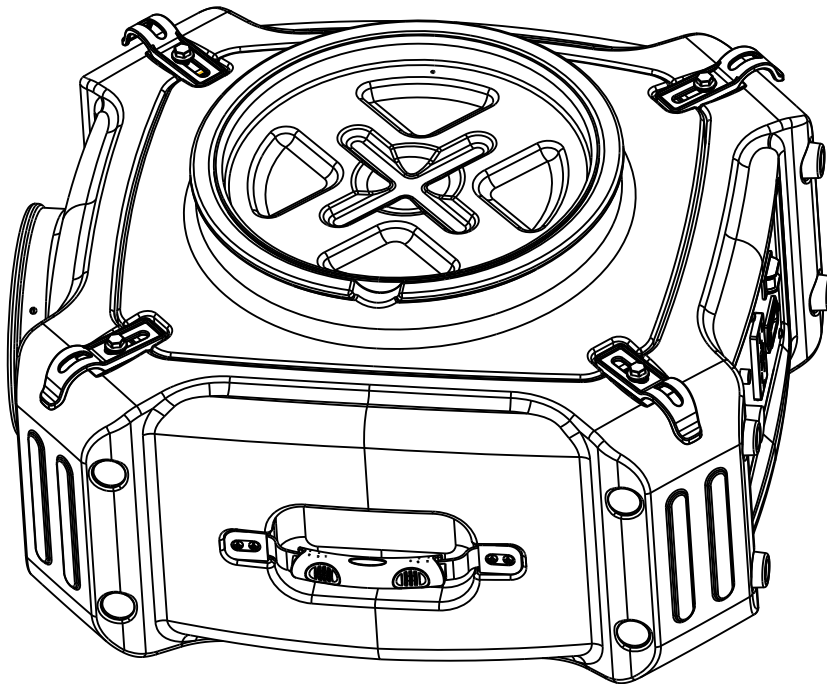


— Restoration & Moisture & Ventilation —

ALORAIR



PureAiro HEPA Max 770 Owner's Manual



READ AND SAVE THESE INSTRUCTIONS

AlorAir Solutions INC.

Add: 4240 Latham Street, Suite D, Riverside, CA 92501

Tel: 888-990-7469

E-mail: sales@alorair.com

WARNING!

Please note that the PureAiro HEPA Max 770 should only be used with parts approved by AlorAir. The use of unauthorized parts or alterations to the machine could void your warranty. Contact an approved distributor for further assistance.

To Avoid the Risk of Fire or Electric Shock:

- Unit must be electrically grounded.
- Insert 3-prong plug directly into outlet with Ground Fault Circuit Interrupting device.
- Do not use an adapter with this unit.
- Do not use the unit in standing water.
- If electrical parts get wet, they must be dried prior to use.

INTRODUCTION

The PureAiro HEPA Max 770 is a convenient filtration system that cleans the air. The PureAiro HEPA Max 770 uses an effective blend of air flow and advanced filtration to expel airborne particles like mold spores, dust, pollen, and pet dander. The PureAiro HEPA Max 770 is ideal for restoration jobs, including water, sewage, and fire.

IDENTIFICATION

Congratulations on purchasing a PureAiro HEPA Max 770 air scrubber. In order to take advantage of the warranty plan, be sure to note the serial number and date of purchase.

Serial Number: _____

Date of Purchase: _____

HOW IT WORKS

When set to maximum airflow, the scrubber draws air through two types of filters- a pre-filter and a HEPA/Activated Carbon Filter.

1. Pre-Filter

The first phase of filtration, the prefilter, captures initial dust and allergen particles.

2. HEPA/Activated Carbon Filter

The second phase of filtration, the HEPA/Activated Carbon Filter, catches smaller particles, down to 0.3 microns. Contributes to the control and prevention of the growth of bacteria, germs, and mold. Captures 99.99% of dust and allergens.

SPECIAL FEATURES

Daisy-Chain Capability

Using the auxiliary outlet on the control panel, you can link up to 3 units together. You can also daisy-chain the machines when they are stacked vertically (limit of 2 units).

Multi-Positional

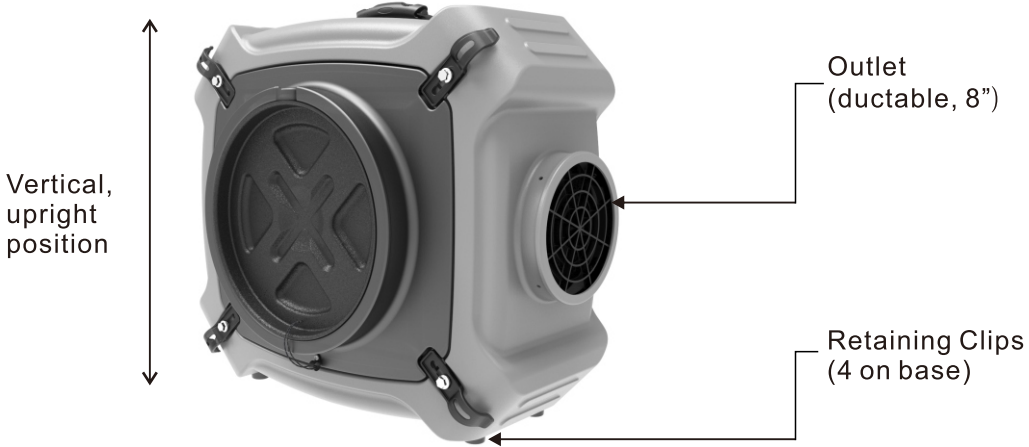
The PureAiro HEPA Max 770 can be operated in the vertical position, as well as, when stacked vertically (up to 2 units). When storing, the machines can be stacked horizontally to save space.

Removable Intake Panel

The PureAiro HEPA Max 770 is equipped with a removable panel on the intake side of the machine. The removable panel is quite useful in remediation applications, so you can draw air out the room and create more negative pressure (use a manometer to monitor air pressure). To use panel:

- 1. Remove the panel.
- 2. Install the machine outside the containment area to draw air out.
- 3. Cut a hole in the containment plastic that is the size of the unit's inlet.
- 4. Insert the inlet into plastic and seal the circumference tightly with duct tape.

KEY FEATURES



INSTRUCTIONS

SETUP

1. Place the PureAiro HEPA Max 770 so that it is in the upright , vertical position.
2. Plug the machine into a standard 115 volt outlet. *Note: Each unit needs 3 amps to operate.*
3. The PureAiro HEPA Max 770 can be operated in the vertical or horizontal postion, depending on the exact situation. At this point, adjust the machine to the optimal position.

THE CONTROL PANEL

Variable Speed Control

The Variable Speed Control is used to adjust the power of the machine. Turn the knob in a clockwise direction, to increase the speed from maximum to minimum .The minimum speed setting is located immediately under the OFF button.

Auxiliary Outlet

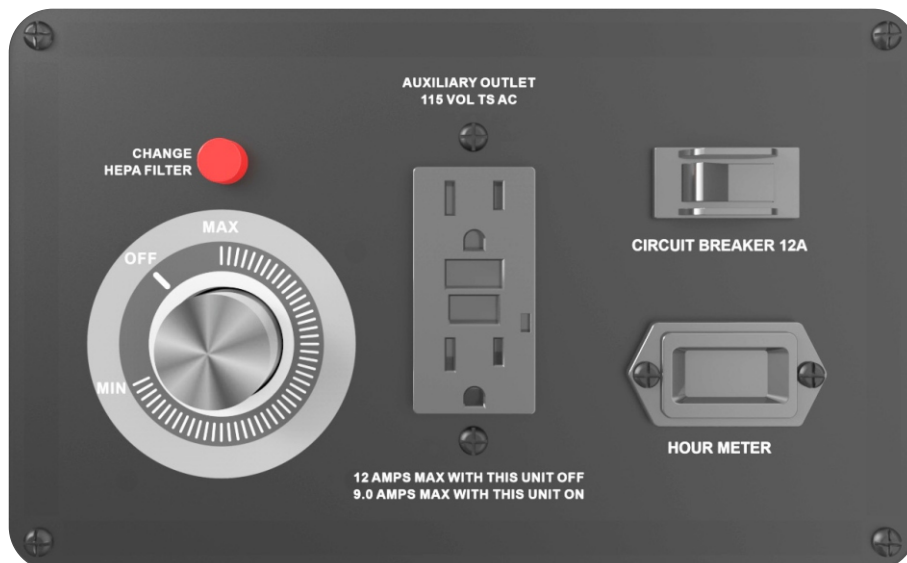
If more air filtration is necessary for a space, you can "daisy chain" or link up to 3 PureAiro HEPA Max 770's to the same outlet. There is a maximum amperage of 12 when the units are turned off, a maxium of 9 amps when the units are turned on. Other equipment can be plugged into the same outlet as the PureAiro HEPA Max 770 as long as it doesn't go above the max amperage.

Circuit Breaker Switch

The Circuit Breaker Switch protects the unit if there are more than 12 amps of electricity passing the circuit. If this occurs, the switch will cut off the power to the unit.

Timer

Used to time the running time of the device. Start timing when the device is running, and pause timing when the device is stopped.



CHANGING THE FILTERS

1. Loosen the 4 locks that hold the filter board in place.
2. Slide out the filter panel board.
3. Remove the used filters and replace with new filters.

WARNING

- Always wear approved protective gear when changing the filters.
- Filters should be changed after each remediation job.
- If the indicator light is on, always change the HEPA/Activated Carbon Filter.

APPLICATIONS

Water Damage

In this application, the PureAiro HEPA Max 770 should be placed in the center of the affected area. The air scrubber will draw in the air, filter it, then blow out the newly cleaned air. To begin the process, simply turn on the scrubber and it will start cleaning the air. Keep in mind that if you are working in a large area or one divided by walls, you may need several air scrubbers to effectively clean the air.

Odor Control

The PureAiro HEPA Max 770, when used with the HEPA/Activated Carbon Filter, is excellent at odor control, as well. Simply place the carbon filter in the pre-filter slot and it will capture a wide variety of odor-causing gas molecules, such as volatile organic compounds (VOC's), smoke, soot, and paint fumes.

Other Uses

The PureAiro HEPA Max 770 is also useful in many other applications including mold remediation, fire damage, dust control, and sewage remediation.

WARNING!

Breathing Hazard

- When using the PureAiro HEPA Max 770 in a containment area, always turn off power to open combustion appliances, such as fireplaces, furnaces, water heaters, and HVAC systems, to avoid the risk of backdrafting carbon monoxide fumes.
- If the Filter Change Light illuminates during the remediation process, immediately change the HEPA/Activated Carbon Filter.

Tipping Hazard

- Use caution when stacking units.
- Do not stack more than 2 units on top of each other.
- Falling equipment could cause bodily harm.

SAFETY NOTES

- Always unplug the unit prior to performing any maintenance.
- Check the power cord for damage (fraying, cuts, etc.) before use.
- Verify that the GFCI outlet is working by powering on the machine and pressing the red GFCI test button. If the outlet is working, the “reset” button will pop up. To operate, press the reset button again.
- To avoid electric shock, never use a water hose or pressure washer to clean the electrical components.
- Check the pre-filter prior to operating the machine to ensure it is not clogged. If there is any sign of air flow restriction change the filter.
- Make sure the unit is dry prior to installing clean filters.
- When using the PureAiro HEPA Max 770 for remediation purposes, replace both filters at the same time and always clean machine in between jobs. This will help prevent cross contamination.

WARRANTY

All warranty benefits apply to the original owner only Warranty cannot be transferred or assigned.

1 Year (from date of purchase): AlorAir warrants the machine will operate free of defects in workmanship and materials. At it's discretion, AlorAir will repair or replace any malfunctioning components, free of charge (excluding transportation costs)

Customer Responsibilities: In order to take advantage of the warranty service, the customer must do the following:

1. Customer must provide normal care and maintenance (including, but not limited to cleaning filters)
2. Removal and re-installation of unit is the sole responsibility of owner.
3. If customer cannot return unit to certified repair center, all costs associated with shipment are borne by the customer. In addition, all ancillary charges related to freight shipments, including but not limited to palletizing, wrapping, labeling, and pickup are associated with customer.
4. If shipped, customer is responsible for all risk of loss or damage.

AlorAir Warranty Steps:

1. Once goods are received , customers must log in www.alorair.com to fill out the warranty registration form and submit to AlorAir company. We will receive your purchasing and installation information and save it. If no warranty registration is sent to us, warranty period will begin the day the shipment left the warehouse. Please be sure to record serial # and date of installation. You will need this information to receive the RA number.
2. If warranty service is necessary, customers must contact AlorAir Tech Support by sales@alorair.com or local technical service phone to receive a Return Authorization (RA number). Once an RA has been issued, customers should bring the unit to a certified repair center. AlorAir will arrange the shipping to bring the unit back to the AlorAir warehouse (at the expense of the customers) if customers are not available.
3. After the unit has been received by AlorAir (whether at a repair center or the warehouse), AlorAir will have an initial inspection. If it is determined to be invalid warranty claim (see exclusions below), customers have to pay for all associated repair costs and shipping costs for units repair.
4. Customers can pick up the unit after repair at their own expense for shipping. Units will have a rigorous testing before sending it back to customers
5. If the unit can no longer be fixed , and it is in the warranty period and determined to be valid claim, we will ship the customer a new unit within the same year warranty from the date of replacement.
6. After parts are repaired or replaced by AlorAir, the original warranty period continues to apply until it meets its deadline. No extensions to the original warranty period.

Warranty Exclusions:

DAMAGE DUE TO THE FOLLOWING IS NOT covered under warranty

1. Acts of Nature- including but not limited to:

Flooding

Fire

Water damage

Hurricane/storm damage

2. IMPROPER USAGE- Including but not limited to:

Misuse, abuse, or tampering whether intentional or accidental

Improper installation or design

Improper voltage

Lack of normal care

Failure to follow instructions

3. Corrosion

4. Freezing

5. Any additional costs due to changes in laws or building codes

6. Freight charges

7. Any costs due to lost profit or delay

8. Damage to property

9. Cause beyond control

10. Consumable parts, including but not limited to:

Filters

Batteries

Power cords

Valves

Switches

Rubber parts

11. Direct, indirect, collateral or inconsequential damages of any kind

THE WARRANTIES AND LIABILITIES SET FORTH ARE IN LIEU OF ALL OTHER WARRANTIES EXPRESSED OR IMPLIED, IN LAW OR IN FACT, INCLUDING IMPLIED WARRANTIES OF MERCHANTABILITY AND FITNESS FOR PARTICULAR PURPOSE.

AlorAir's total liability, regardless of nature of claim shall not exceed original purchase price of the product. If a product or component is replaced while under warranty, the applicable warranty period shall not be extended beyond the original warranty time period.

The foregoing shall constitute the total liability of seller in the case of defective performance of all or any of the equipment or services provided to Buyer. Buyer agrees to accept and hereby accepts the foregoing as the sole and exclusive remedy for any breach or alleged breach of warranty by Seller.

Any dishonesty or fraud in connection with AlorAir warranty thoroughly voids all warranty policies. AlorAir expressly reserves the right to pursue legal action in the event of dishonesty, fraud, or attempted fraud.

Wiring Diagram

