

**iSpring Reverse Osmosis Tanks are constructed using the finest FDA approved materials available.**

The water storage chamber is assembled using a virgin polypropylene liner, high-grade Chlorobutyl diaphragm and patented stainless steel water connection. In addition, every diaphragm is post cured to remove any harmful materials or chemicals prior to assembly. This ensures tasteless, odorless, and contaminant free water, so you know that when you use an iSpring Reverse Osmosis Tank you only get pure pristine water when filling your glass!

With regards to structural integrity, deep drawn steel domes and precision weld seams give iSpring Reverse Osmosis Tanks unparalleled reliability. To be sure, iSpring Reverse Osmosis Tanks are quality tested at multiple stages in the production process to ensure the structural integrity of every tank. In addition iSpring Reverse Osmosis Tanks are built with sealed brass air valves and o-ring sealed air valve caps to ensure leak-free air chambers. This means no more checking air precharge and makes iSpring Reverse Osmosis Tanks maintenance free!

# Reverse Osmosis Tank



## FEATURES

- ◆ Patented stainless steel water connection.
- ◆ High-grade Chlorobutyl diaphragm
- ◆ Virgin polypropylene liner
- ◆ Smooth internal construction prevents diaphragm abrasion damage
- ◆ Two part epoxy primer, polyurethane paint finish
- ◆ CE approved
- ◆ Comprehensive testing.
- ◆ Maintenance free

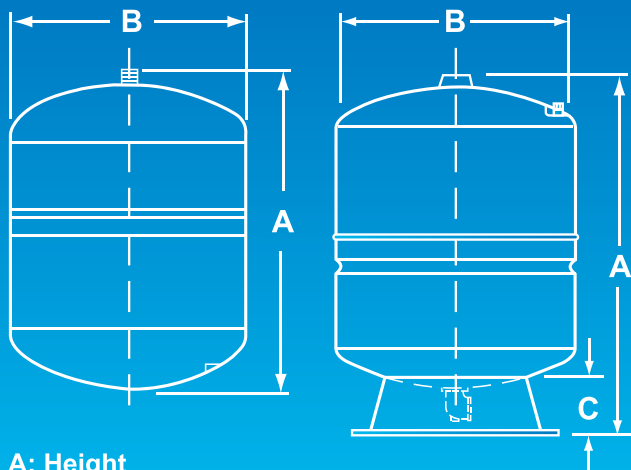
# SPECIFICATIONS

MODEL NO.	Dimensions						Volume		Shipping (box) Volume		Shipping (box) Weight	
	HEIGHT (A)		DIAMENTER (B)		BASE (C)							
	cm	inch	cm	inch	cm	inch	liter	gal	CBM	Cuft	Kgs	lbs
<b>Vertical Models Model RO-1070 ~ TP-150 1" BSPP Elbow with 1/4" NPT plastic extension</b>												
RO-105	20.0	7.9	12.6	5.0			2	0.5	0.0037	0.13	0.88	1.94
TP - 4	24.2	9.5	16	6.3			4	1	0.0075	0.265	1.58	3.48
RO-120	31.7	12.7	20.3	8.1			8	2	0.016	0.55	2.23	4.92
T32M	36.6	14.6	24.4	9.8			12	3.2	0.02	0.72	2.82	6.22
RO-132	36.8	14.7	27.9	11.2			18	4.4	0.03	1.03	3.65	8.05
T55M	39	15.6	29	11.6			21	5.5	0.036	1.3	4.73	10.40
TP - 35	53.8	21.2	31.8	12.5	4.5	1.7	35	9.2	0.056	1.93	7.16	15.79
T11M	62.6	25	38.9	15.5	10.4	4.2	60	14	0.09	3.3	10.66	23.50
T20M	79	31.6	38.9	15.5	10.4	4.2	80	20	0.13	4.5	14.45	31.86
TP - 100	80.4	31.6	43	16.9	12.9	5	100	28	0.16	5.7	18.93	41.73
T40M	106.5	41.9	43	16.9	12.9	5	150	40	0.21	7.4	26.75	58.86
<b>Plasteel Models Model TP-12P ~ TP-19P is available in Plasteel version (steel tank clad in plastic shell )</b>												
TP - 12P	36.4	14.3	24	9.4			12	3.2	0.02	0.8	3.64	8.02
TP - 16P	37.2	14.6	25	9.8			16	4.2	0.028	0.98	4.00	8.82
TP - 19P	40.1	15.8	28	11			19	5	0.036	1.3	4.32	9.52

◆ Maximum temperature: 40°C/104°F

◆ Maximum working pressure: 100 psi

◆ The volume above is total capacity, not the water storage volume.



A: Height  
B: Diameter  
C: Base

