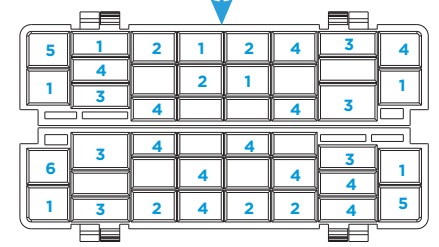
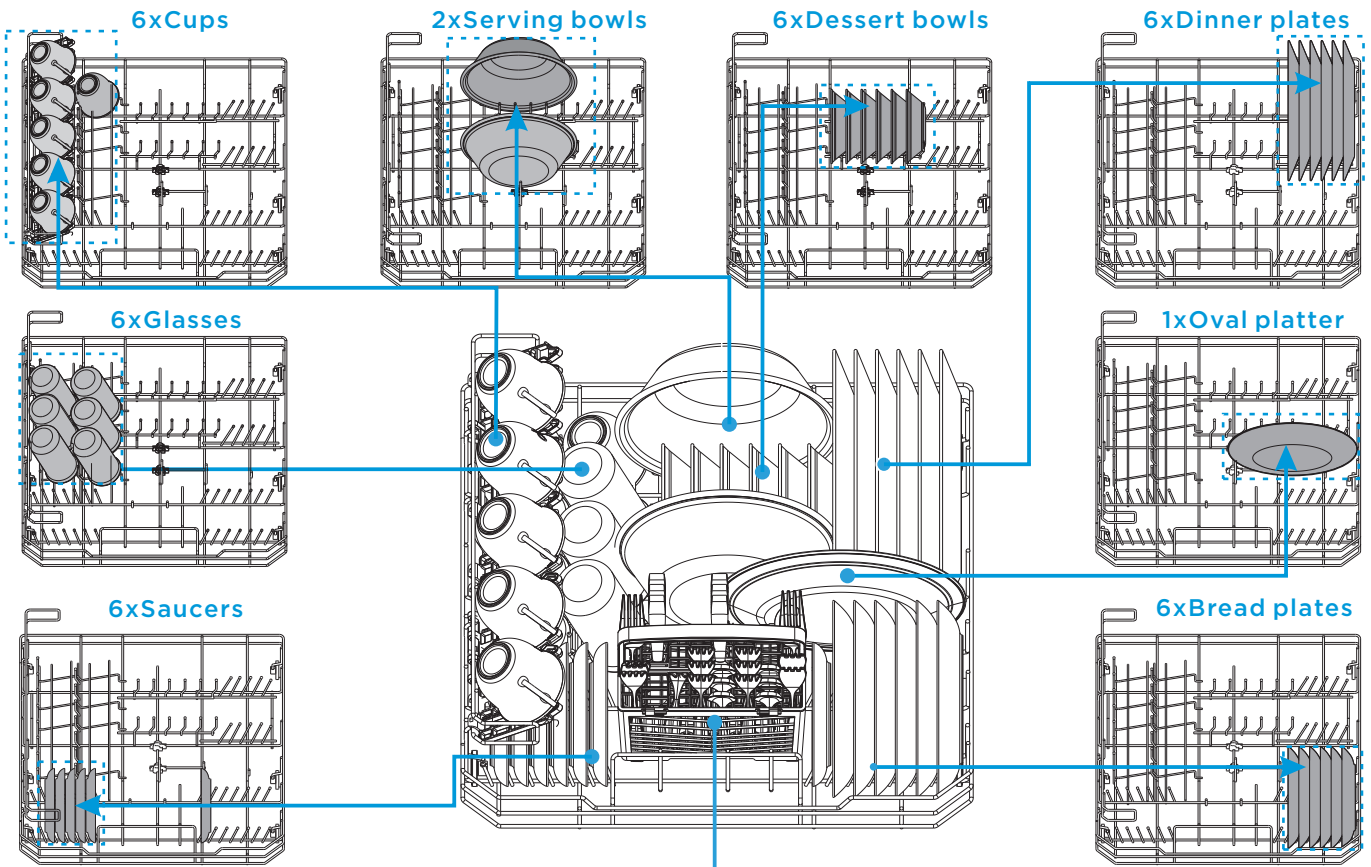
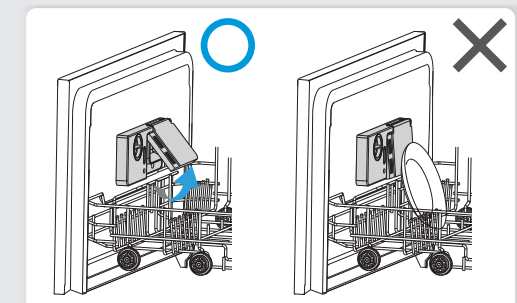
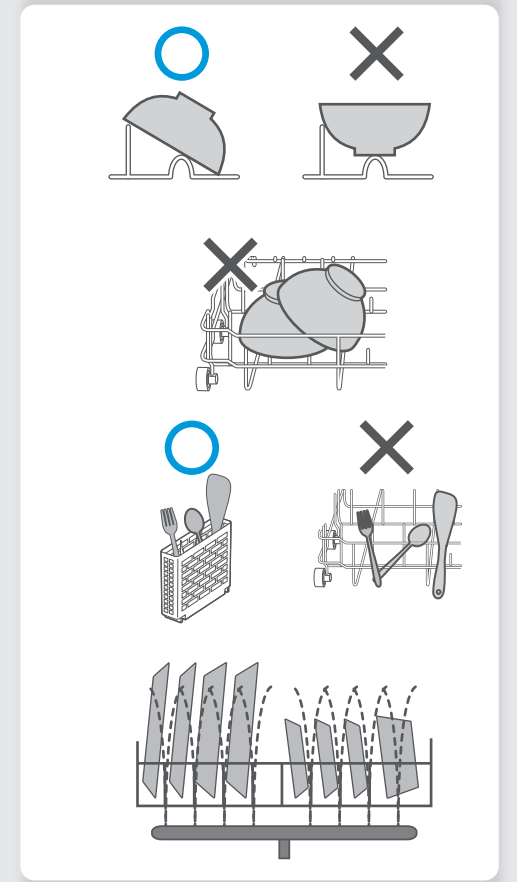


Dishwasher Loading Instruction



1. Forks
2. Salad Forks
3. Knives
4. Spoons
5. Large Spoons
6. Large Forks



DO NOT BLOCK THE DISPENSER

ATTENTION: DO NOT place utensils or dishes too close to the dispenser, as it may result in the dispenser cover not opening properly, which may lead to residue of dishwasher detergent and reduce washing performance.