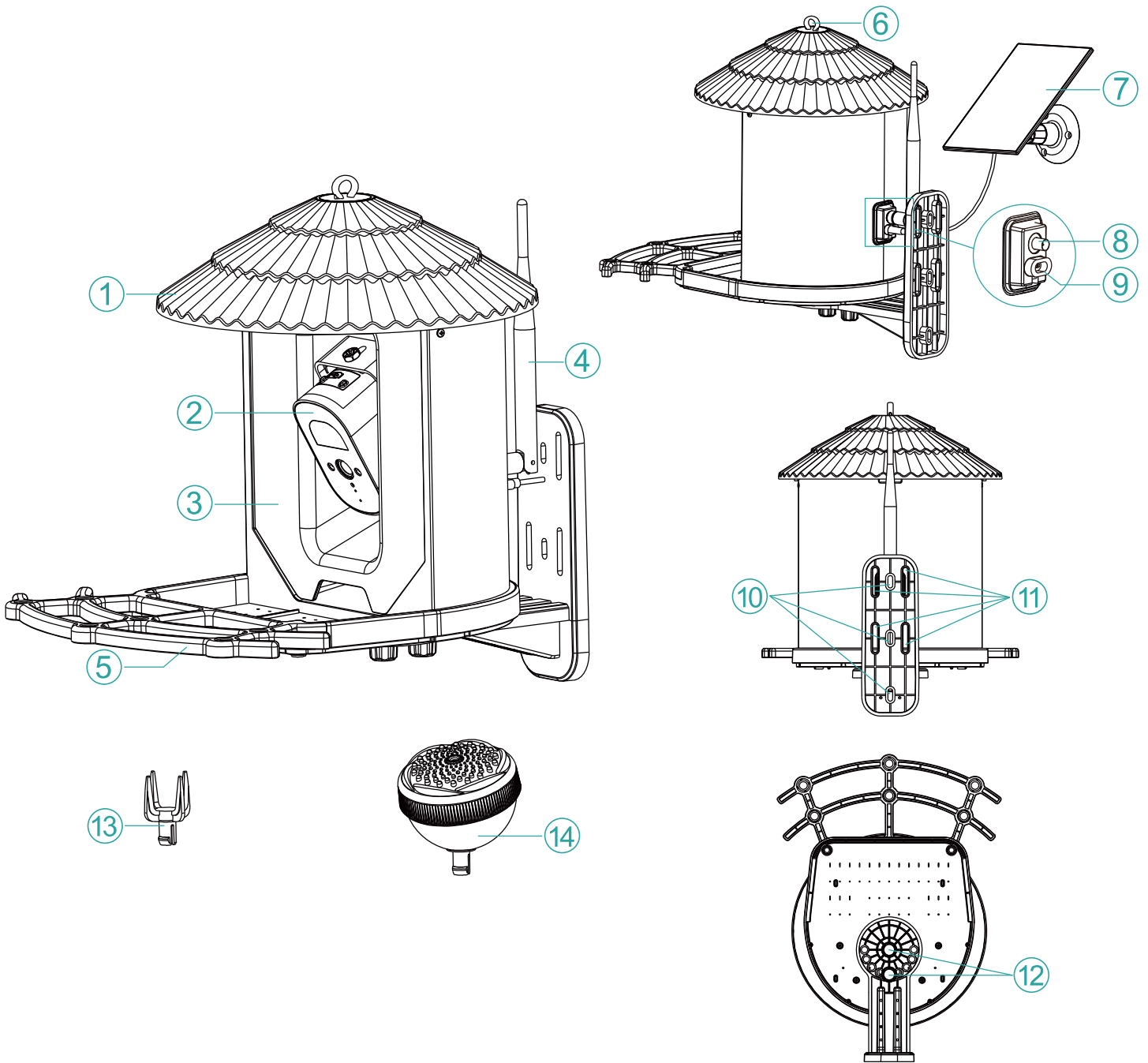


Smart Bird Feeder Operation Guide

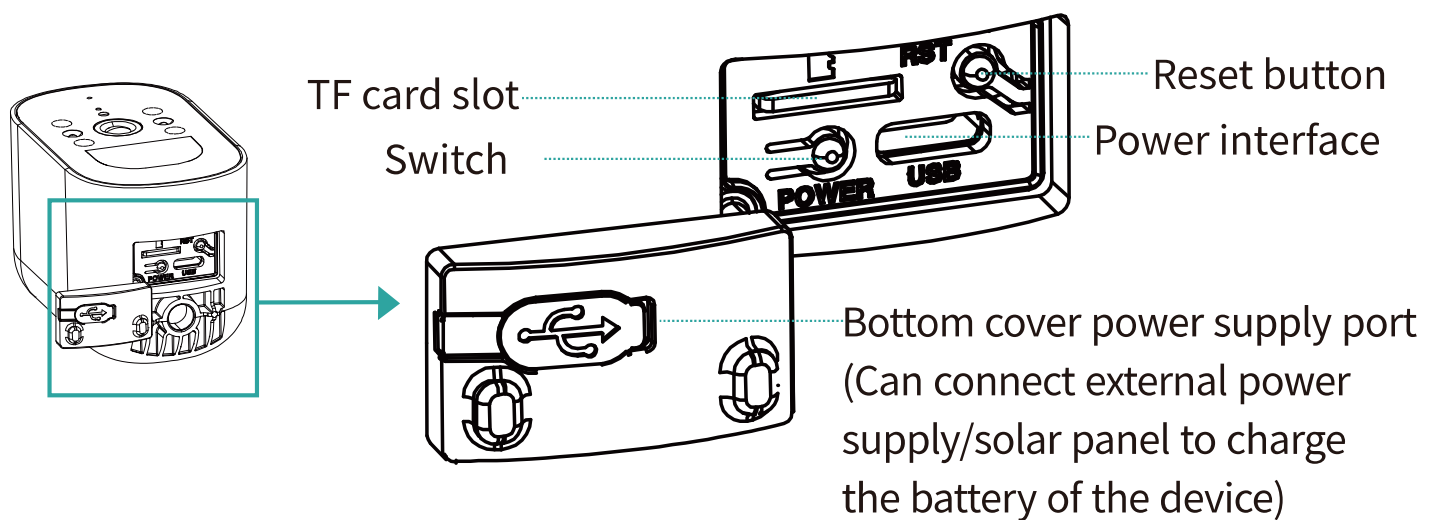
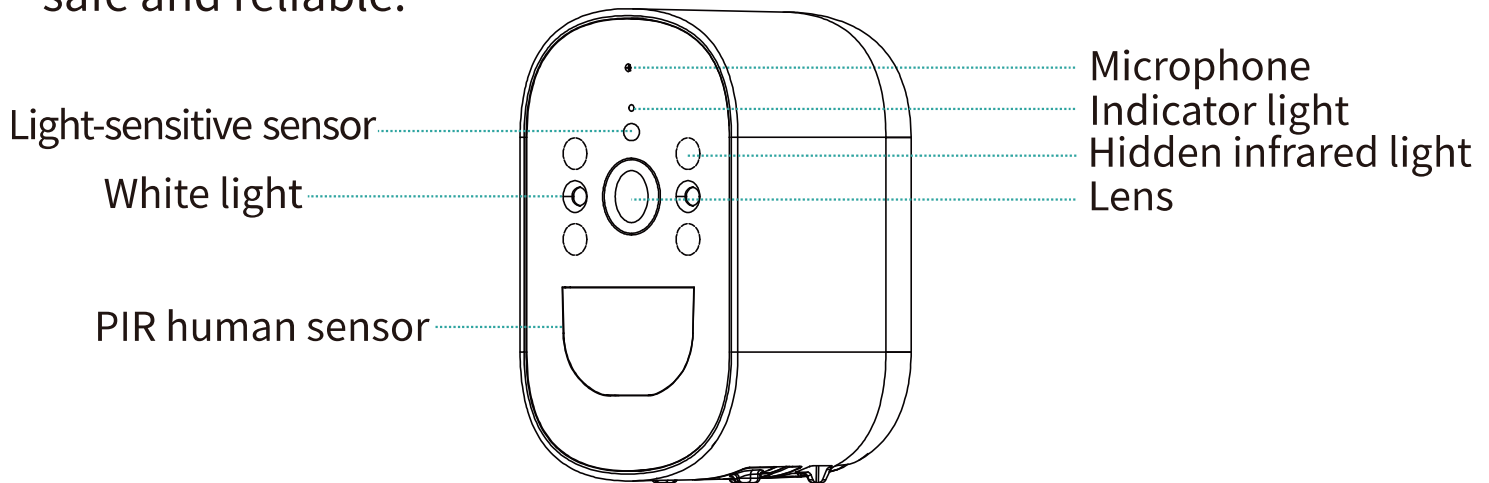
Camera Structure



- ① Granary cover
- ② Bird Feeder Camera
- ③ Granary
- ④ Antennae
- ⑤ Bird Standing Stands
- ⑥ Hook hole
- ⑦ Solar panel
- ⑧ Antenna port
- ⑨ Solar charging port
- ⑩ Bracket screw holes
- ⑪ Banding holes
- ⑫ Screw holes
- ⑬ Fruit Fork (optional)
- ⑭ Honey jar/Water Jar (optional)

Appearance of the device

Install or remove the Micro SD card, please turn off the device power before proceeding. It is recommended to use cloud storage, alarm recording cloud storage, real-time push alarm short video, safe and reliable.



- Power key: long press for 3-4 seconds to turn on/off the device, you will hear a tone
- The blue light is always on: the device has been awakened and is working normally
- Blue light flashes quickly: waiting for network configuration
- Reset button: long press for 5-10 seconds to restore the device to factory settings
- Slow flashing blue light: The device is being accessed by the client
- Light off: the device is in low-power standby/not started

Quick configuration

Step 1 Download app and Register an account

- ① Scan the QR code to download Tris Home or search Tris Home in mobile application market to download.
- ② Run Tris Home, register an account and login(Support third-party account)



Tris Home

Step 2 Configure and add device

- ① Click "+" in the middle of the APP interface or "+" in the upper right corner to add device as shown in Figure 1, select bird feeder as shown in Figure 2.

NOTE:If you are using a dual-band router , please connect your phone to WIFI on the 2.4G band when configuring the network for your device

Figure 1

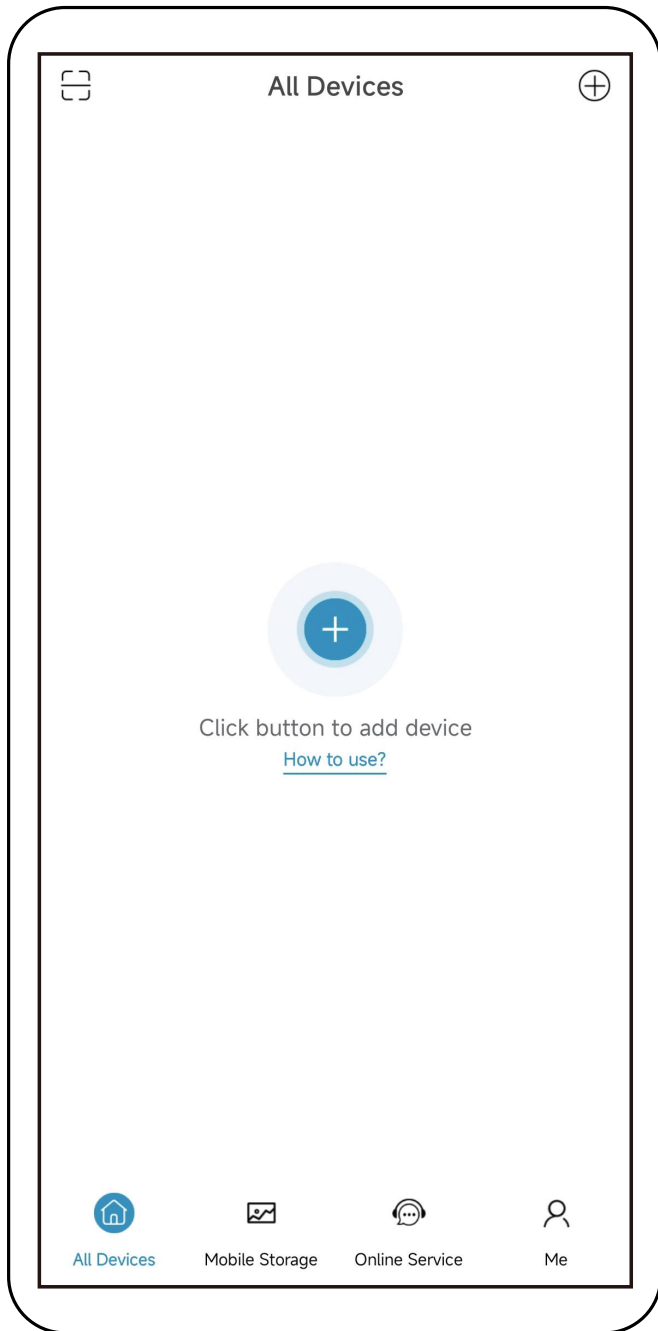


Figure 2



② Long press the power button at the top for 3~4 seconds until you hear a tone, then the blue light will flash.

NOTE: If you don't hear a tone and the indicator doesn't light up, please charge your device first

③ If the blue indicator light is not flashing quickly, please try to long press the reset button at the bottom for 5-10 seconds to restore the device to default as shown in Figure 3. Follow the interface guide to connect the solar panel, enter the wifi password to configure the network as shown in Figure 4.

Figure 3

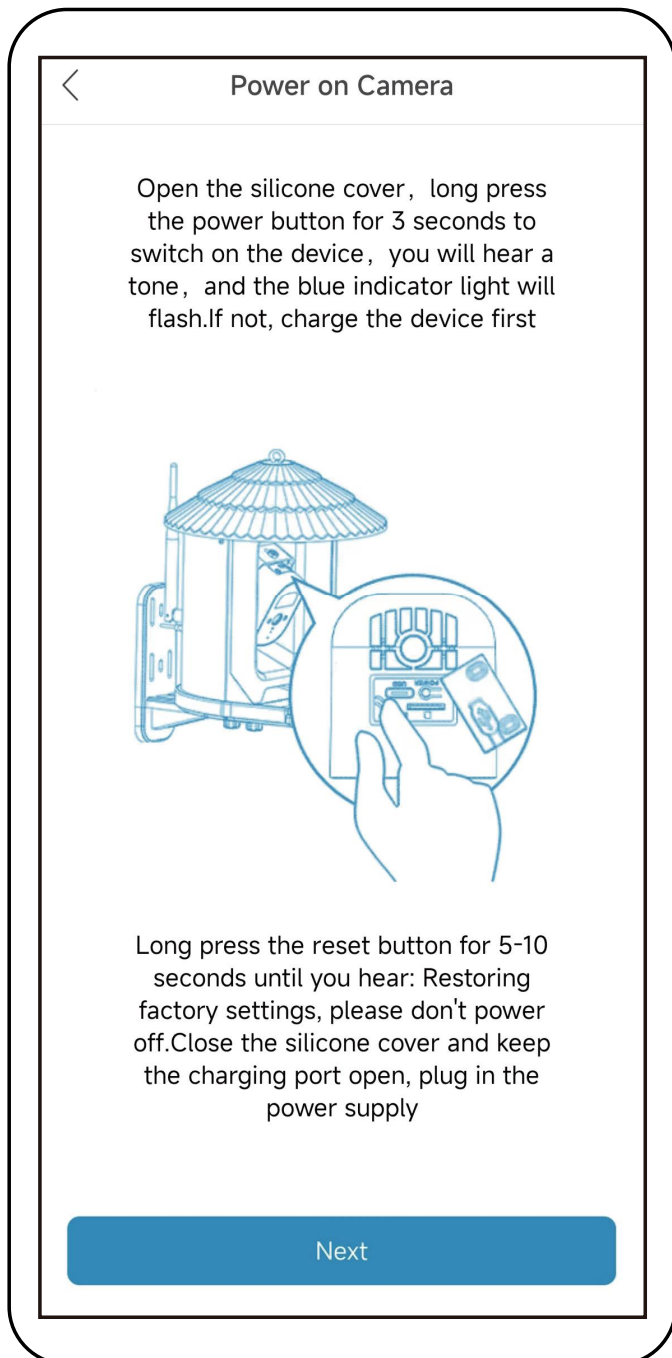


Figure 4



④ Your phone will generate a QR code, place the QR code in front of the camera about 25-35cm (about 1 ft) as shown in Figure 5, wait for the configuration to complete as shown in Figure 6.

Figure 5

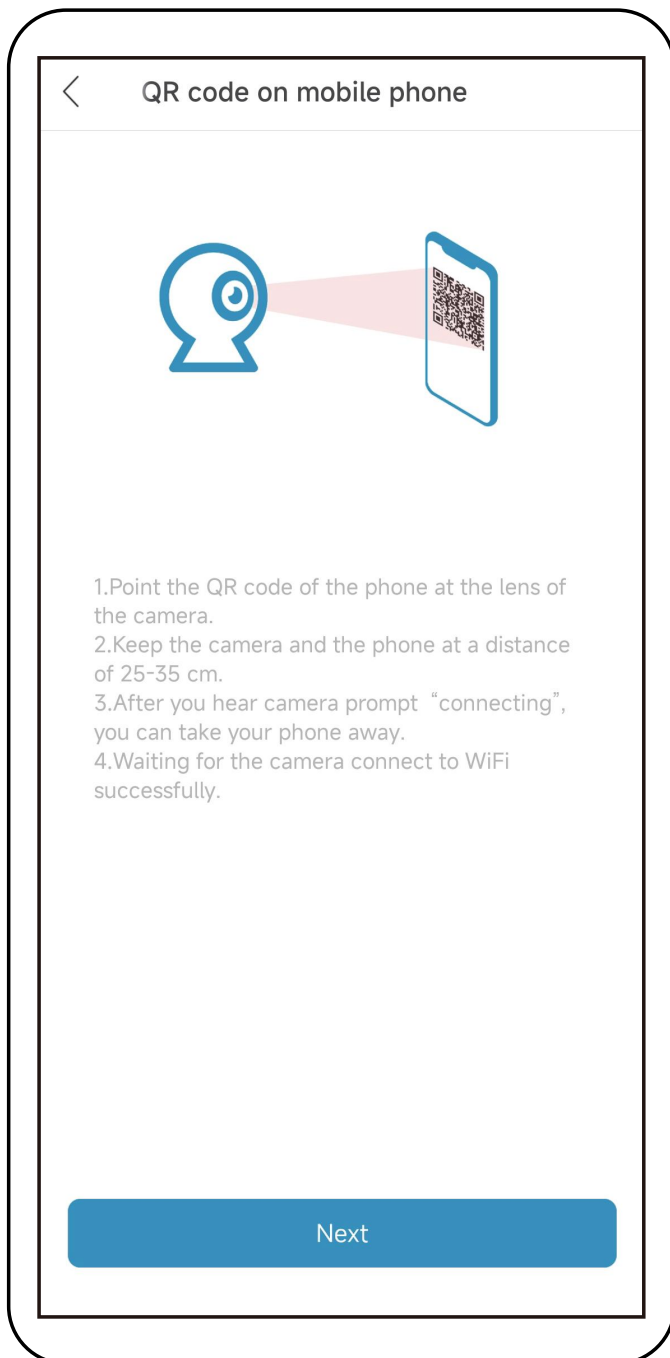
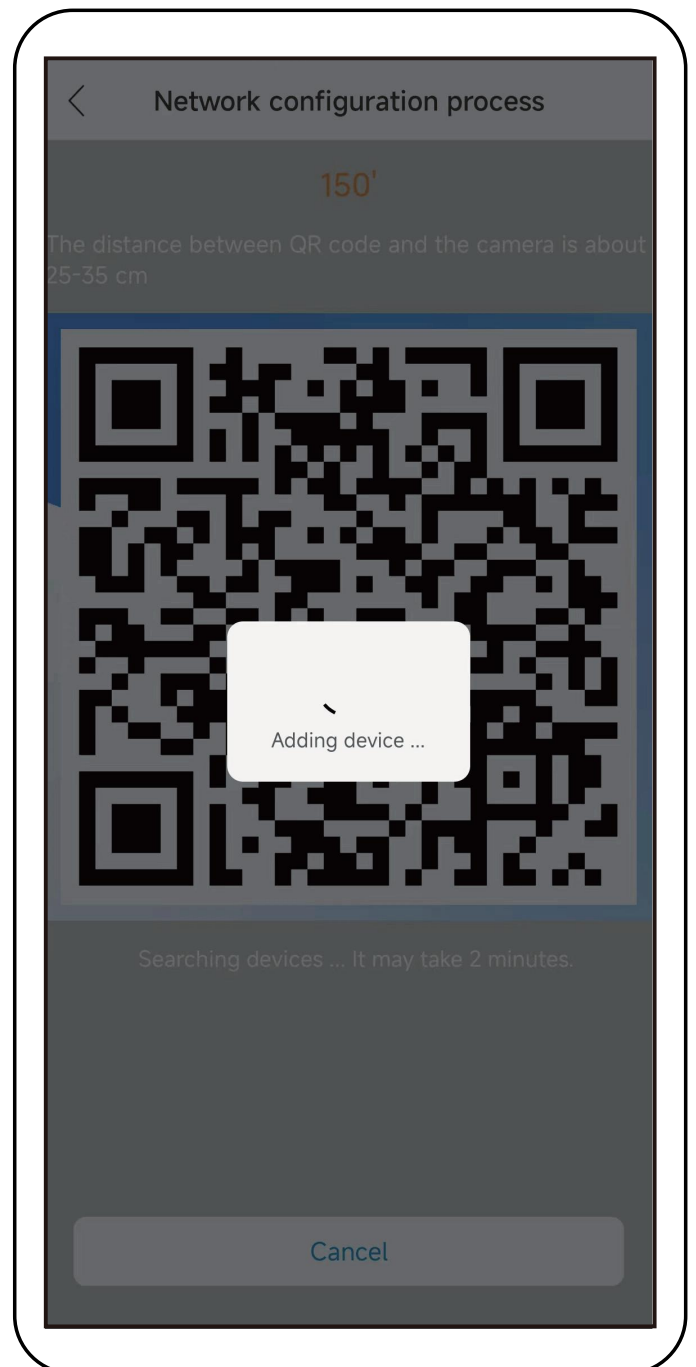


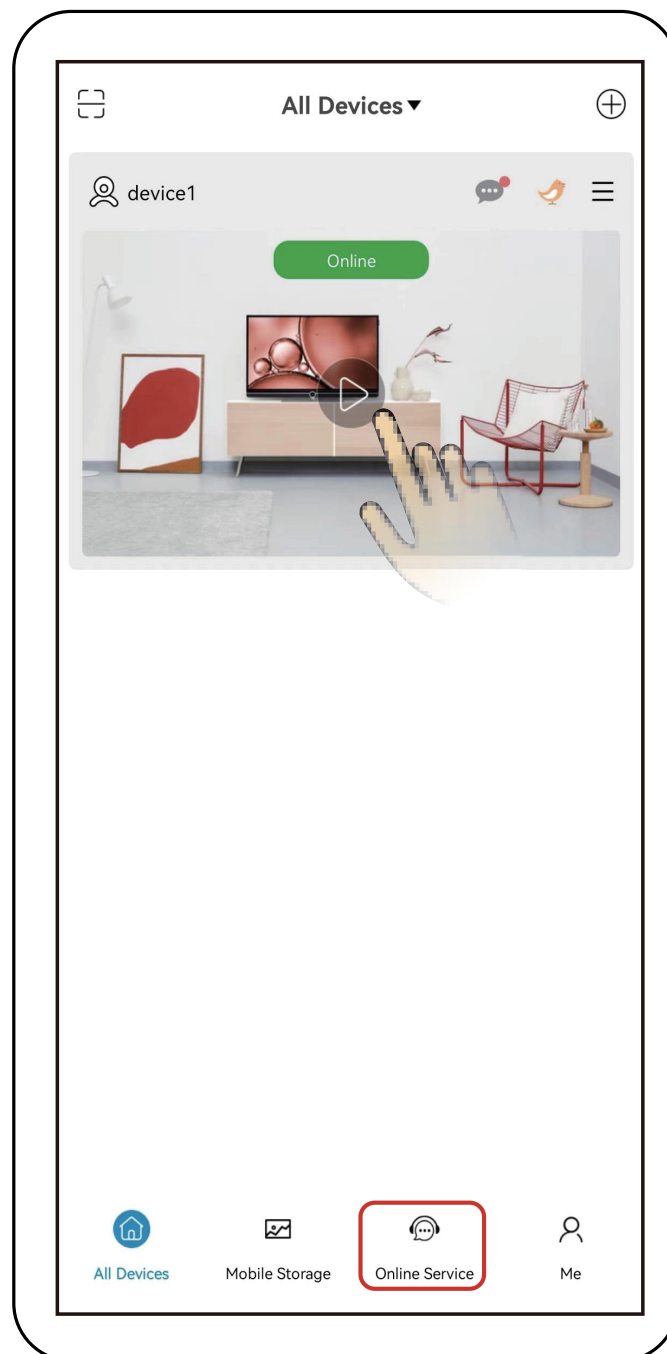
Figure 6



Step 3 Confirm configuration result

After configuration is successful, jump to device list page, click the device to open real-time view live or device setting. **If you have any other questions can check in app- online serviceas shown in Figure 7.**

Figure 7



Step 4 Cloud Storage / Bird Recognition

Click on the "Bird" icon to enter the Cloud Service store in Figure 8, Purchase the cloud storage services, that can identify more than 10K species of birds and save more than 3-days Loop Alarm record. Now you can experience one month for free. If the bird comes, the camera will automatically recognize and save the video to the cloud, and you will receive a message. Click on the "Cloud Event" icon to see the bird's video and Wikipedia's introduction to the bird.

Figure 8



FAQ

Q: How to save camera recordings?

A: 1. Local TF card storage, maximum to 128G. when TF card is full, auto delete older videos, loop record video.
2. Recommend cloud storage, Alarm video storage to cloud server, real-time push alarm small video, safe and reliable, you can learn more on APP cloud service page.

Q: What should I do if forget device password?

A: restore factory setting , reconnect and set new password

Note: The access password involves privacy and security, please treat it with caution

Q: What should I do if can't connect to camera or abnormal offline in use?

A: 1. check if camera battery is charged and if the router network is normal
2. Press and hold the power button to power off and restart the camera
3. restore factory setting (Press and hold the reset button for 6 seconds until you hear "Restoring to factory settings, do not power off" and release it), follow instructions to re-add device

Q: Does it support 5G band routers?

A: If 5G band and 2.4G band of your router are the same SSID, you can connect directly. If 5G band and 2.4G band are not the same SSID (2 SSIDs, 5G band is XXXXX-5G, 2.4G band is XXXXX-2.4G), Please connect WIFI of phone to 2.4G SSID (XXXXX-2.4G) of router , then configure camera