

User Manual of Product 1:

Hamilton Beach Food Processor & Vegetable Chopper for Slicing, Shredding, Mincing, and Puree, 8 Cup, Black

User Manual of Product 2:

BLACK+DECKER Lightweight Hand Mixer, White, MX1500W

READ BEFORE USE
LIRE AVANT UTILISATION
LEA ANTES DE USAR

Visit www.hamiltonbeach.com for our complete line of products and Use and Care Guides – as well as delicious recipes, tips, and to register your product online

Rendez-vous sur www.hamiltonbeach.ca pour notre liste complète de produits et de nos manuels utilisateur – ainsi que nos délicieuses recettes, nos conseils et pour enregistrer votre produit en ligne

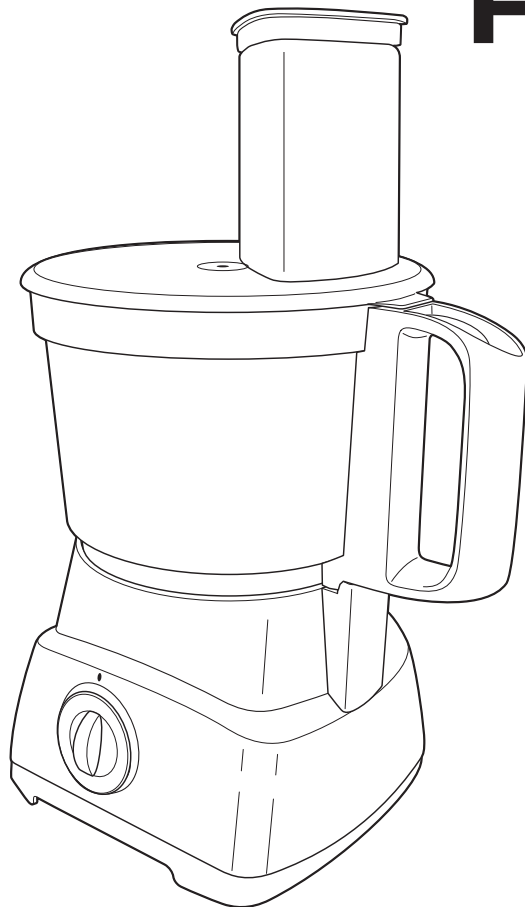
Visite www.hamiltonbeach.com.mx para obtener nuestra línea completa de productos y las Guías de Uso y Cuidado, además de deliciosas recetas, consejos y para registrar su producto en línea

Questions
Please call us – our friendly associates are ready to help.
USA: 1.800.851.8900

Questions
N'hésitez pas à nous appeler – nos associés s'empresseront de vous aider.
CAN : 1.800.267.2826

Preguntas
Por favor llámenos – nuestros amables representantes están listos para ayudar.
MEX: 800 71 16 100

Le invitamos a leer cuidadosamente este instructivo antes de usar su aparato.



Hamilton Beach®

Food Processor Robot culinaire Procesador de Alimentos

English 2
Français 13
Español 25

IMPORTANT SAFEGUARDS

When using electrical appliances, basic safety precautions should always be followed to reduce the risk of fire, electric shock, and/or injury to persons, including the following:

1. Read and save all instructions.
2. This appliance is not intended for use by persons with reduced physical, sensory, or mental capabilities, or lack of experience and knowledge, unless they are closely supervised and instructed concerning use of the appliance by a person responsible for their safety.
3. This appliance shall not be used by children. Keep the appliance and its cord out of reach of children.
4. Close supervision is necessary when any appliance is used near children. Children should be supervised to ensure that they do not play with the appliance.
5. To protect against risk of electrical shock, do not immerse base, motor, cord, or plug in water or other liquid.
6. Turn the appliance OFF(●), then unplug from outlet when not in use, before putting on or taking off parts, and before cleaning. To unplug, grasp the plug and pull from the outlet. Never pull from the power cord.
7. Avoid contacting moving parts. Keep fingers out of feed chute.
8. Do not operate any appliance with a damaged supply cord or plug, or after the appliance malfunctions or has been dropped or damaged in any manner. Supply cord replacement and repairs must be conducted by the manufacturer, its service agent, or similarly qualified persons in order to avoid a hazard. Call the provided customer service number for information on examination, repair, or adjustment.
9. The use of attachments not recommended or sold by the appliance manufacturer may cause fire, electric shock, or injury.
10. Do not use your food processor if any part is broken.
11. Do not use appliance outdoors.
12. Do not let cord hang over edge of table or counter or touch hot surfaces, including stove.
13. Keep hands and utensils away from moving blade and disc while processing food to reduce the risk of severe personal injury and/or damage to the food processor. A rubber scraper may be used but ONLY when the food processor is not running.
14. Blades are sharp. Handle cutting blades carefully when inserting or removing, emptying the bowl, and during cleaning. Store out of reach of children.
15. To reduce the risk of injury, never place cutting blade or disc on base without first putting bowl properly in place.
16. Be certain lid is securely locked in place before operating appliance.
17. Never feed food into food chute by hand. Always use the food pushers.
18. Do not attempt to defeat the lid interlock mechanism.
19. Make sure the blade or disc has come to a full stop before removing lid.
20. To reduce the risk of injury, be sure to insert or remove blade and disc using hubs provided for this purpose. Use caution when removing blade and disc from the bowl, when emptying the bowl, and when cleaning.
21. Check that the appliance is OFF (●) before plugging cord into wall outlet. To disconnect, turn the control to OFF (●); then remove plug from wall outlet. To unplug, grasp the plug and pull from the outlet. Never pull from the power cord.
22. Be sure to turn switch to OFF (●) position after each use. Always use the pushers to clear the food chute. When this method is not possible, unplug cord from outlet and disassemble unit to remove the remaining food.
23. The appliance is not intended for commercial, professional, or industrial use. It is designed and built exclusively for household use only.

24. Never use appliance for a longer period or with a larger amount of ingredients other than that recommended by appliance manufacturer.
25. The maximum rating of this unit is based on using the chopping/mixing blade. Using the slicing/shredding disc may draw significantly less power.
26. Do not place on or near a hot gas or electric burner or in a heated oven.
27. Do not use appliance for other than intended purpose.
28. To reduce the risk of injury, be sure to insert or remove blade and disc using hubs provided for this purpose. Use caution when removing blade and disc from the bowl, when emptying the bowl, and when cleaning.
29. Be careful if hot liquid is poured into the food processor bowl as it can be ejected out of the appliance due to a sudden steaming.
30. Do not fill the bowl above the marked maximum fill line (or rated capacity) to avoid risk of injury due to damage to the cover or bowl.
31. **CAUTION!** In order to avoid a hazard due to inadvertent resetting of the thermal cut-out, this appliance must not be supplied through an external switching device, such as a timer, or connected to a circuit that is regularly switched on and off by the utility.

SAVE THESE INSTRUCTIONS

Other Consumer Safety Information

This product is intended for household use only.

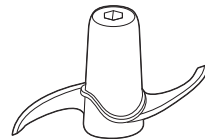
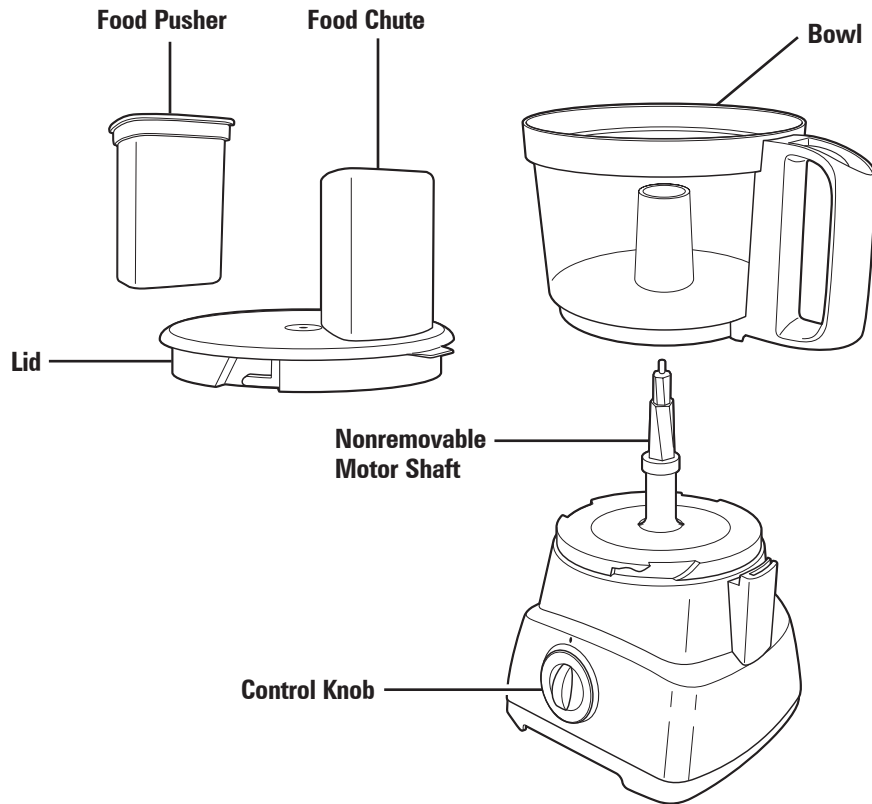
⚠ WARNING Shock Hazard: This appliance has a polarized plug (one wide blade) that reduces the risk of electric shock. The plug fits only one way into a polarized outlet. Do not defeat the safety purpose of the plug by modifying the plug in any way or by using an adapter. If the plug does not fit fully into the outlet, reverse the plug. If it still does not fit, have an electrician replace the outlet.

The length of the cord used on this appliance was selected to reduce the hazards of becoming tangled in or tripping over a longer cord. If a longer cord is necessary, an approved extension cord may be used. The electrical rating of the extension cord must be equal to or greater than the rating of the appliance. Care must be taken to arrange the extension cord so that it will not drape over the countertop or tabletop where it can be pulled on by children or accidentally tripped over.

To avoid an electrical circuit overload, do not use another high-wattage appliance on the same circuit with your food processor.

Parts and Features

BEFORE FIRST USE: Unpack processor. Handle blade and disc(s) carefully; they are very sharp. Wash all parts except base in hot, soapy water. Rinse; then dry.



Chopping/Mixing Blade

Use to coarsely chop, mince, mix, or puree food.



Reversible Slicing/Shredding Disc

Use to shred cheese or to slice or shred a variety of foods (such as potatoes, pepperoni, carrots, celery).

OPTIONAL ACCESSORY

Crinkle Cut/Fine Shred Disc

To order:

1.800.851.8900 (US)

1.800.267.2826 (Canada)

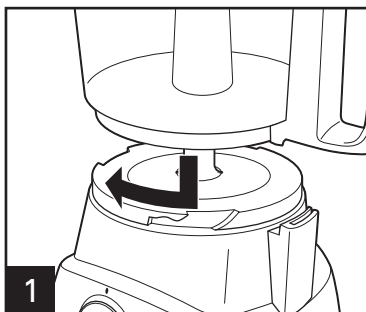
How to Use Chopping/Mixing Blade

⚠ WARNING Laceration Hazard.

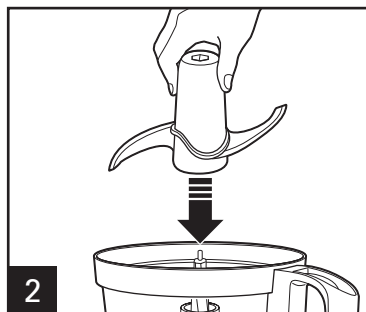
Handle blade carefully; it is very sharp.

Make sure control knob is turned to OFF (O) and unit is unplugged.

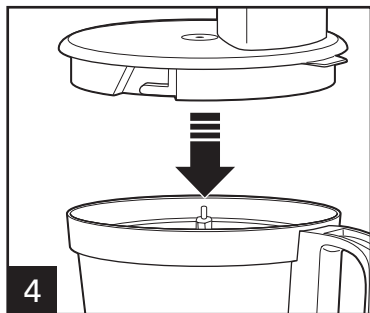
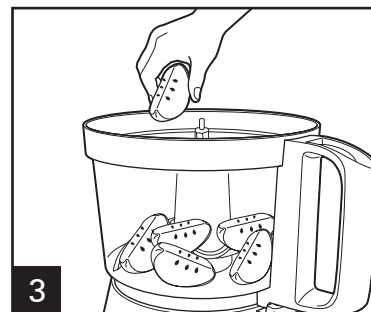
NOTE: Operate using only one blade or disc at a time.



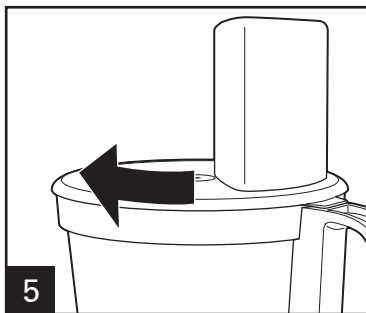
1 Align bowl and base. Turn bowl clockwise to lock into place.
NOTE: Unit will not work unless bowl is locked.



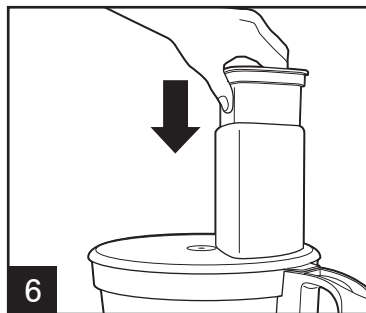
2 Carefully place blade onto motor shaft.



4 Align lid and bowl.



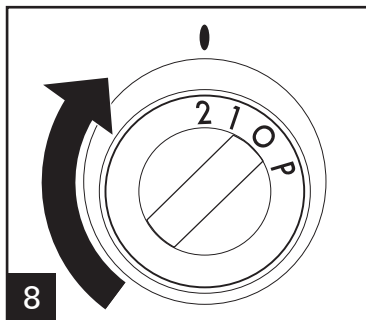
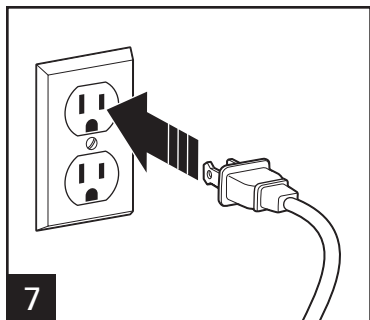
5 Turn lid clockwise to lock into place. **NOTE:** Unit will not work unless lid is locked.



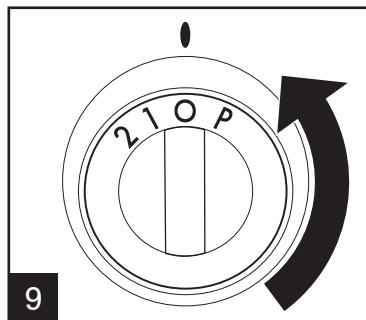
6 Place food pusher in food chute.

⚠ WARNING Laceration Hazard:
Always use food pusher to feed food into the chute. **NEVER PUSH FOOD THROUGH CHUTE WITH HANDS OR OTHER OBJECTS.**

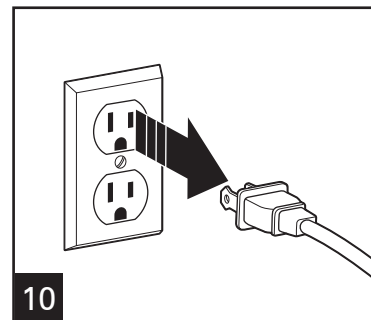
How to Use Chopping/Mixing Blade (cont.)



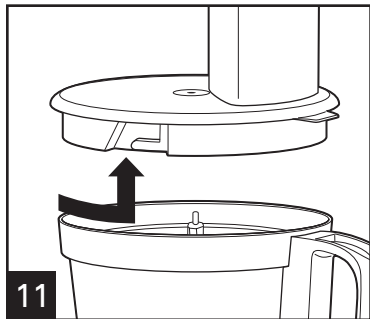
Select 1, 2, or P on control knob. 1 or 2: Processor will run continuously. P (PULSE): For instant on and off control.



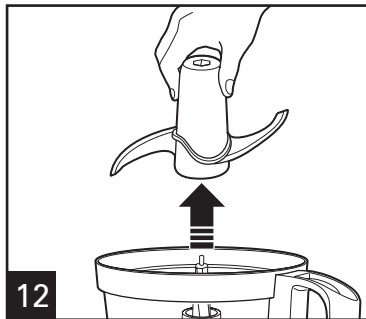
When finished, turn OFF (O) and unplug.



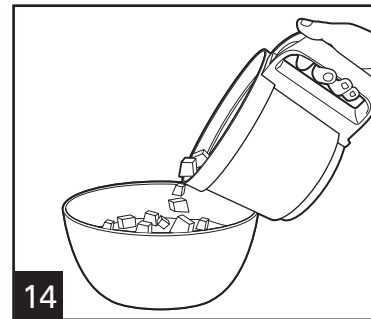
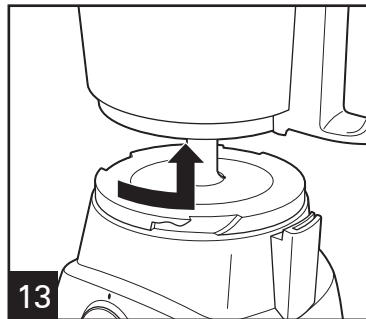
⚠ WARNING Laceration Hazard: Always unplug unit before removing lid.



Always remove lid before removing bowl to avoid possible damage to the appliance.



Carefully remove blade from motor shaft.



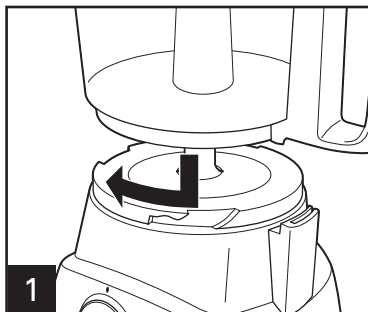
How to Use Slicing/Shredding Disc

⚠ WARNING Laceration Hazard.

Handle blade carefully; it is very sharp.

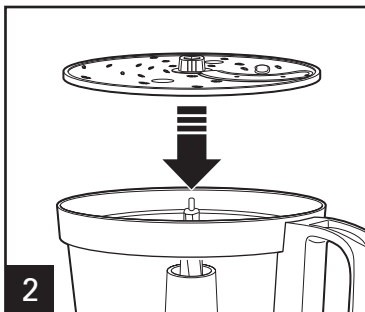
Make sure control knob is turned to OFF (O) and unit is unplugged.

NOTE: Operate using only one blade or disc at a time.

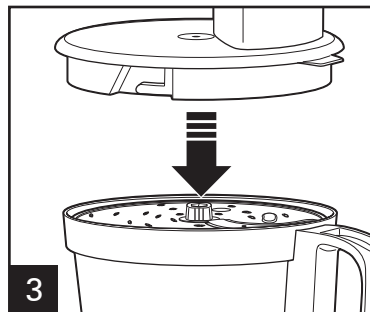


1 Align bowl and base. Turn bowl clockwise to lock into place.

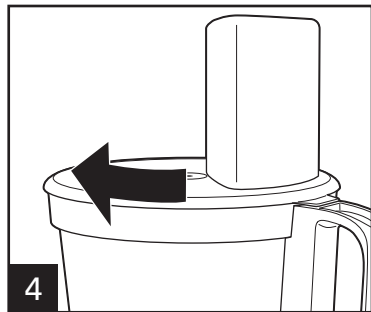
NOTE: Unit will not work unless bowl is locked.



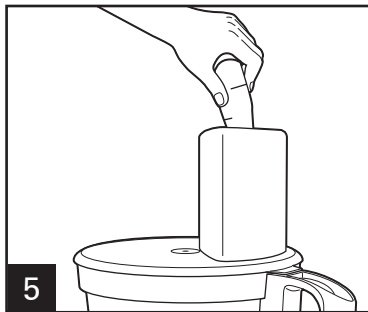
2 Carefully place disc onto motor shaft with desired side facing UP. ("SLICE" or "SHRED" is stamped on each side of the blade.)



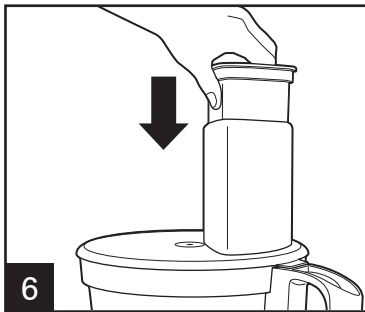
3 Align lid and bowl.



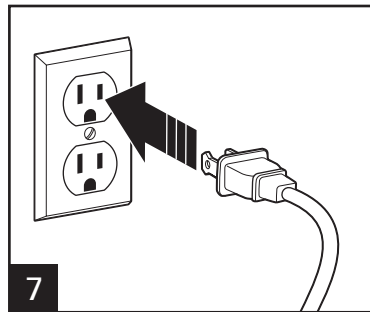
4 Turn lid clockwise to lock into place. **NOTE:** Unit will not work unless lid is locked.



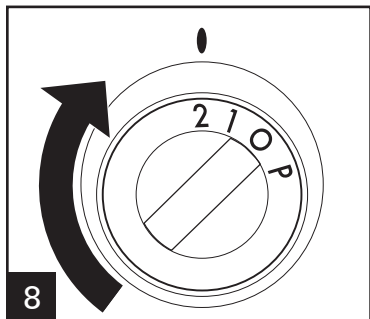
5 Cut food to fit food chute. Fill chute with food.



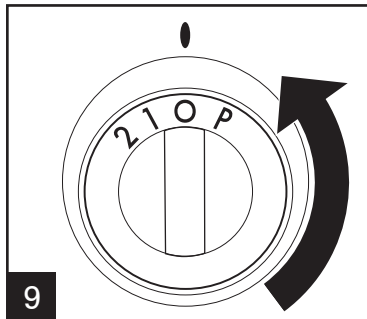
⚠ WARNING Laceration Hazard:
Always use food pusher to feed food into the chute. **NEVER PUSH FOOD THROUGH CHUTE WITH HANDS OR OTHER OBJECTS.**



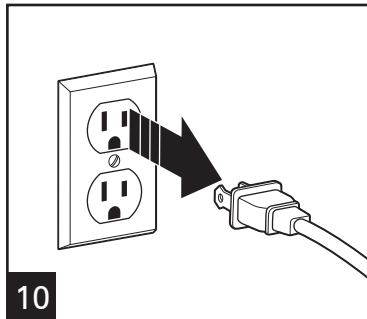
How to Use Slicing/Shredding Disc (cont.)



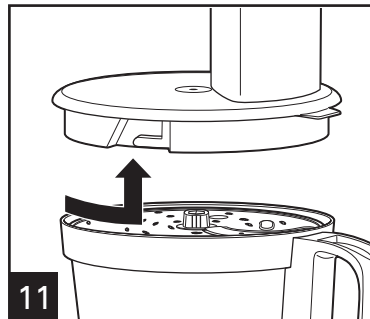
Select 1, 2, or P on control knob. 1 or 2: Processor will run continuously. P (PULSE): For instant on and off control.



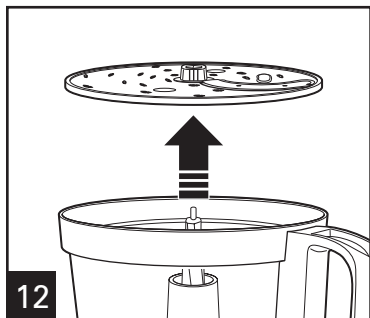
When finished, turn OFF (O) and unplug.



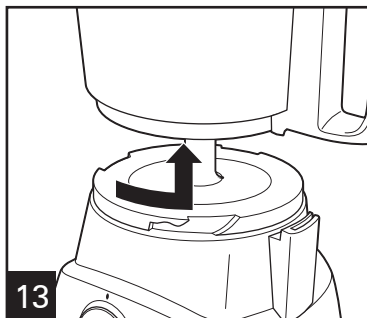
⚠ WARNING Laceration Hazard: Always unplug unit before removing lid.



Always remove lid before removing bowl to avoid possible damage to the appliance.



Carefully remove disc from motor shaft.



Tips and Techniques

- For a more uniform consistency, start with pieces of food that are similar in size. Cut food into 1-inch (2.5-cm) pieces before processing with chopping/mixing blade and leave room in bowl for the food to be tossed around.
- This food processor is excellent to chop, mix, slice, or shred most foods. However, to maintain peak performance, do not use your food processor for the following: grinding grain, coffee beans, or spices; slicing frozen meats; kneading dough; or crushing ice.
- When chopping foods, pulsing on and off will produce the best results.
- Operating time will depend on quantity of food being processed. Most foods can be sliced, chopped, or shredded in seconds. If unit is operated continuously for an extended period of time, let the processor rest about 4 minutes before continuing.
- Do not puree or mash starchy vegetables like potatoes as they are easily overprocessed and will become gummy.
- To slice or shred cheese, select firm cheese like Cheddar or Swiss. For best results, process cheese that is chilled. Cheese should be processed immediately after being removed from the refrigerator. Soft cheese like mozzarella must be placed in the freezer for 30 minutes prior to processing to ensure it is firm enough for shredding.
- The reversible slicing/shredding disc has a slicing blade on one side and shredding teeth on the other. The name stamped on the blade, facing up, is the function selected. Place on motor shaft with desired cutting edge facing up.
- To julienne vegetables, slice and then remove from bowl. Restack the vegetables. Pack into food chute with slices vertical. Slice again to make matchstick-cut vegetables.

Processing Charts

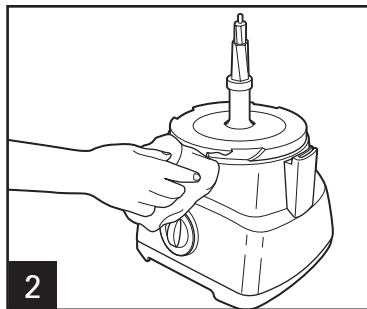
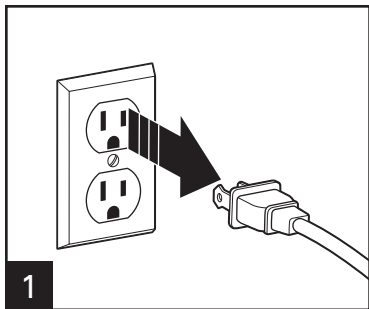
Disc attachments are reversible and labeled. The label should face up for the desired function. When using disc attachments, do not process past the MAX LEVEL on the bowl.

ATTACHMENT	FOODS
Chopping/Mixing Blade	Chop: nuts, meat, garlic, onions, peppers, celery, herbs, bread (for crumbs), crackers Mince/Puree: vegetables, fruit Mix: salad dressings Puree: soups, sauces Grate: firm cheese, such as Parmesan (chilled)
Slicing Disc (slicing side facing UP)	Cucumbers, apples, mushrooms, carrots, potatoes, cabbage, tomatoes, pepperoni, peppers, radishes, firm cheeses (chilled)
Shredding Disc shredding side facing UP)	Cabbage, potatoes, carrots, firm cheese (chilled)

For best results do not exceed the following amounts when chopping, mincing, or pureeing with the chopping/mixing blade.

FOOD	MAXIMUM AMOUNT
Fruits and Vegetables	2 to 3 cups (500 to 750 ml) (cut into 1-in. [2.5-cm] cubes)
Meats	0.7 lb. (350 g) (cut into 1-in. [2.5-cm] cubes)
Parmesan or Romano, chilled	5 ounces (140 g) (cut into 1-in. [2.5-cm] cubes)
Cheddar, Jack, Mozzarella, chilled	8 ounces (226 g) (cut into 1-in. [2.5-cm] cubes)
Crackers	10 cups (2.3 L) (can fill bowl and lid up into chute)

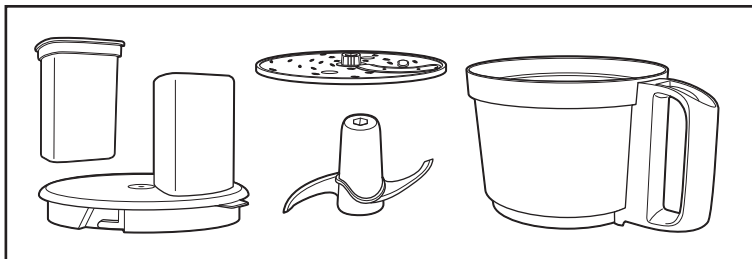
Cleaning and Care



Wipe base, control knob, and cord with a damp cloth or sponge. If necessary, use a mild nonabrasive cleanser.

⚠ WARNING Electrical Shock Hazard.

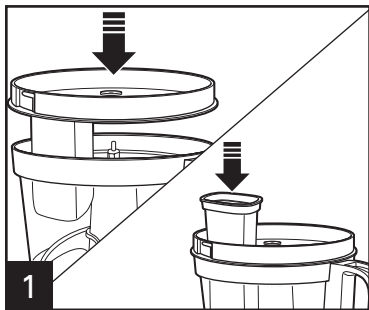
Disconnect power before cleaning. Do not immerse cord, plug, or base in any liquid.



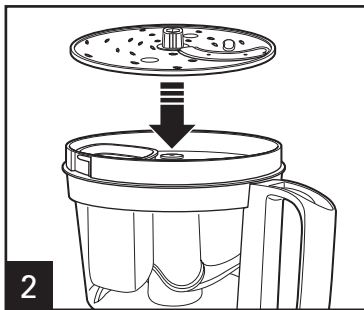
DISHWASHER-SAFE (TOP RACK ONLY)

DO NOT use the "SANI" setting when washing in the dishwasher. "SANI" cycle temperatures could damage your product. All removable parts may also be cleaned in the sink with hot, soapy water. Use caution when washing chopping/mixing blade and slicing/shredding disc.

Space-Saving Storage



Place chopping/mixing blade on motor shaft. Flip lid upside down and place in bowl. Place food pusher in food chute.



Place slicing/shredding disc onto motor shaft.

⚠ WARNING Laceration Hazard.

Store sliding/shredding disc with slicing side down. Handle carefully.

Troubleshooting

PROBLEM

PROBABLE CAUSE

Unit does not operate on any speed or Pulse.

- Is the unit plugged in? Does the outlet work?
- Are the bowl and lid locked in place? See “How to Use” sections.

Food is not sliced or shredded uniformly.

- Packing too much food in the food chute or pushing too hard on the food pusher may cause the processed food to be irregularly sliced or shredded. Refer to the Food Processing Charts for recommended sizes and quantities.

Unit stops and will not come back on.

- Are the bowl and lid locked in place? They may have moved slightly during processing. See “How to Use” sections.
- Is the outlet still working? Check it by plugging in a working lamp or other appliance. You may have overloaded the circuit and blown a fuse or tripped the circuit breaker.
- Turn unit OFF (●), allow to stand for 3 to 4 minutes, and then turn back ON. If none of these suggestions correct the problem, DO NOT attempt to repair the unit. Call the Customer Service number to get the name of your nearest Authorized Service Center.

Unit has a burning smell.

- There may be a residue left on the motor from the manufacturing process, causing a slight odor during initial use. This will go away. If a strong odor or any visible smoke appears, unplug unit IMMEDIATELY and call the Customer Service number.

Motor seems weak.

- Are you using the recommended food size and quantity to be processed? Refer to the Food Processing Charts for recommended food sizes and speeds.

It is difficult to remove bowl from base.

- Rub a small amount of vegetable oil on the snaps, located on the base. Do not lock bowl and lid during storage.

Cheese is not shredding well.

- Cheese should be processed immediately after being removed from the refrigerator. Soft cheese like mozzarella must be placed in the freezer for 30 minutes prior to processing to ensure it is firm enough for shredding.

Vegetables are not shredding or slicing.

- Store vegetables with high water content in the refrigerator prior to processing. Room-temperature vegetables are less firm and do not perform as well.

Limited Warranty

This warranty applies to products purchased and used in the U.S. and Canada. This is the only express warranty for this product and is in lieu of any other warranty or condition.

This product is warranted to be free from defects in material and workmanship for a period of one (1) year from the date of original purchase. During this period, your exclusive remedy is repair or replacement of this product or any component found to be defective, at our option; however, you are responsible for all costs associated with returning the product to us and our returning a product or component under this warranty to you. If the product or component is no longer available, we will replace with a similar one of equal or greater value.

This warranty does not cover glass, filters, wear from normal use, use not in conformity with the printed directions, or damage to the product resulting from accident, alteration, abuse, or misuse. This warranty extends only to the original consumer purchaser or gift recipient. Keep the original sales receipt, as proof of purchase is required to make a warranty claim. This warranty is void if the product is used for other than single-family household use or subjected to any voltage and waveform other than as specified on the rating label (e.g., 120V ~ 60 Hz).

We exclude all claims for special, incidental, and consequential damages caused by breach of express or implied warranty. All liability is limited to the amount of the purchase price. **Every implied warranty, including any statutory warranty or condition of merchantability or fitness for a particular purpose, is disclaimed except to the extent prohibited by law, in which case such warranty or condition is limited to the duration of this written warranty.** This warranty gives you specific legal rights. You may have other legal rights that vary depending on where you live. Some states or provinces do not allow limitations on implied warranties or special, incidental, or consequential damages, so the foregoing limitations may not apply to you.

To make a warranty claim, do not return this appliance to the store. Please call 1.800.851.8900 in the U.S. or 1.800.267.2826 in Canada or visit hamiltonbeach.com in the U.S. or hamiltonbeach.ca in Canada. For faster service, locate the model, type, and series numbers on your appliance.

PRÉCAUTIONS IMPORTANTES

Pour utiliser un appareil électroménager, vous devez toujours prendre des mesures élémentaires de sécurité pour réduire le risque d'incendie, d'électrocution et/ou de blessure corporelle, en particulier les mesures suivantes :

1. Lire et conserver toutes les instructions.
2. Cet appareil n'est pas destiné à être utilisé par des personnes dont les capacités physiques, sensorielles ou mentales sont réduites, ou manquant d'expérience et de connaissance, sauf si elles sont étroitement surveillées et instruites sur l'utilisation de l'appareil par une personne responsable de leur sécurité.
3. Cet appareil ne devrait pas être utilisé par des enfants. Garder l'appareil et son cordon hors de la portée des enfants.
4. Une surveillance étroite est requise pour tout appareil utilisé près des enfants. Surveiller que les enfants ne jouent pas avec l'appareil.
5. Pour éviter les risques d'électrocution, ne pas immerger le cordon, la fiche, la base ou le moteur dans l'eau ou tout autre liquide.
6. Fermer l'appareil (O), puis le débrancher de la prise lorsqu'il n'est pas utilisé, avant d'assembler ou de désassembler des pièces ou avant de le nettoyer. Pour le débrancher, tenir la fiche et la retirer de la prise. Ne jamais tirer sur le cordon.
7. Éviter le contact avec les pièces mobiles. Veiller à ne pas mettre les doigts dans la trémie.
8. Ne pas faire fonctionner un appareil électroménager avec un cordon ou une fiche endommagée, ou lorsque l'appareil ne fonctionne pas bien ou a été échappé ou endommagé d'une manière quelconque. Le remplacement et la réparation du cordon d'alimentation doivent être faits par le fabricant, son agent de service ou toute personne qualifiée de façon à éviter tout danger. Appeler le numéro de service à la clientèle fourni pour des renseignements concernant l'examen, la réparation ou l'ajustement.
9. L'utilisation d'accessoires non recommandés par le fabricant ou vendus par le fabricant de l'appareil peut causer des blessures.
10. Ne pas utiliser votre robot culinaire si des pièces sont brisées.
11. Ne pas utiliser à l'extérieur.
12. Ne pas laisser pendre le cordon de la table ou du comptoir et éviter tout contact entre le cordon et les surfaces chaudes incluant la cuisinière.
13. Tenir les mains et les ustensiles éloignés de la lame et du disque en mouvement pendant la transformation des aliments pour éviter les blessures graves et les dommages au robot culinaire. Un racloir en plastique peut être utilisé, mais UNIQUEMENT pendant l'arrêt du robot culinaire.
14. Les lames sont tranchantes. Manipuler les lames de coupe avec soins pendant l'insertion ou le retrait, lors du vidage du bol et pendant le nettoyage. Ranger hors de la portée des enfants.
15. Pour éviter les risques de blessures, s'assurer d'installer ou de retirer la lame et le disque en utilisant les embouts fournis à cet effet. Faire preuve de prudence au moment de retirer la lame ou le disque du récipient, pendant le vidage du récipient et lors du nettoyage.
16. S'assurer que le couvercle est en place et verrouillé correctement avant de faire fonctionner l'appareil.
17. Ne jamais introduire d'aliments dans l'entonnoir avec les mains. Toujours utiliser les poussoirs.
18. Ne pas tenter de modifier aucun mécanisme de verrouillage par enclenchement.
19. S'assurer que la lame ou le disque cesse de fonctionner avant de retirer le couvercle.
20. Pour éviter les risques de blessures, ne jamais placer la lame de coupe ou un disque sur le socle sans avoir préalablement installé le récipient correctement.

21. S'assurer que l'appareil est OFF (○/arrêt) avant de brancher la fiche dans la prise de courant. Pour débrancher, tourner la commande à et mettre à OFF (○/arrêt) puis débrancher la fiche de la prise de courant. Pour débrancher, saisir la fiche et la retirer de la prise. Ne pas tirer sur le cordon d'alimentation.
22. S'assurer que le commutateur est en position OFF (○/arrêt) après chaque utilisation. Toujours utiliser les poussoirs pour désobstruer l'entonnoir. Lorsque cette méthode est impossible, débrancher le cordon de la prise et démonter le récipient pour retirer les aliments coincés.
23. Cet appareil n'est pas conçu pour une utilisation commerciale, professionnelle ou industrielle. Cet appareil est conçu uniquement pour une utilisation domestique.
24. Ne jamais prolonger le temps de fonctionnement de cet appareil ou utiliser des quantités d'aliments supérieures aux recommandations du fabricant.
25. La valeur nominale de cet appareil repose uniquement sur l'utilisation de la lame à hacher/mélanger. L'utilisation du disque à trancher/râper exige est moins énergivore.
26. Ne placer jamais votre appareil électroménager à proximité ou sur un brûleur électrique ou à gaz chaud ou dans un four chaud.
27. N'utiliser cet appareil que pour les fonctions auxquelles il est destiné.
28. Ne pas remplir le bol au-delà de la marque de remplissage maximum (ou de la capacité indiquée) pour éviter les risques de blessure causée par des dommages occasionnée au couvercle ou au bol.
29. Soyez prudent lorsque vous versez un liquide chaud dans le bol du robot culinaire, car il peut éclabousser hors de l'appareil en raison de la production d'une vapeur soudaine.
30. Ne pas remplir le bol au-delà de la marque de remplissage maximum (ou de la capacité indiquée) pour éviter les risques de blessure causée par des dommages occasionnée au couvercle ou au bol.
31. **ATTENTION !** Afin d'éviter un danger découlant d'une réinitialisation accidentelle du rupteur thermique, se dispositif ne doit pas être alimenté par l'entremise d'un appareil de connexion externe, comme une minuterie, ou connecté à un circuit qui est régulièrement mis sous et hors tension par le service public.

CONSERVER CES INSTRUCTIONS

Autres consignes de sécurité pour le consommateur

Cet appareil est conçu pour une utilisation domestique seulement.

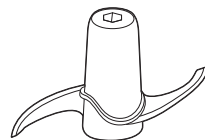
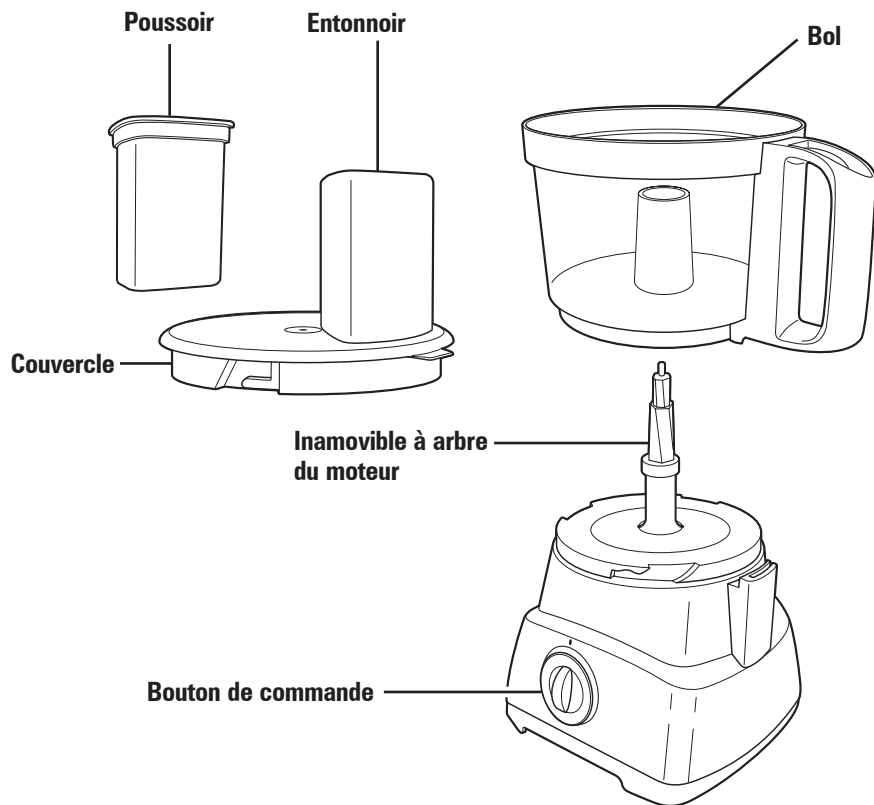
⚠ AVERTISSEMENT Risque d'électrocution : Cet appareil électroménager possède une fiche polarisée (une broche large) qui réduit le risque d'électrocution. Cette fiche n'entre que dans un seul sens dans une prise polarisée. Ne contrecarrez pas l'objectif sécuritaire de cette fiche en la modifiant de quelque manière que ce soit ou en utilisant un adaptateur. Si vous ne pouvez pas insérer complètement la fiche dans la prise, inversez la fiche. Si elle refuse toujours de s'insérer, faire remplacer la prise par un électricien.

La longueur du cordon installé sur cet appareil a été sélectionnée afin de réduire les risques d'enchevêtrement ou de faux pas causés par un fil trop long. L'utilisation d'une rallonge approuvée est permise si le cordon est trop court. Les caractéristiques électriques de la rallonge doivent être équivalentes ou supérieures aux caractéristiques de l'appareil. Prendre toutes les précautions nécessaires pour installer la rallonge de manière à ne pas la faire courir sur le comptoir ou sur une table pour éviter qu'un enfant ne tire sur le cordon ou trébuche accidentellement.

Pour éviter une surcharge du circuit électrique, ne pas faire fonctionner d'autre appareil à grande puissance sur le même circuit que le robot culinaire.

Pièces et caractéristiques

AVANT LA PREMIÈRE UTILISATION : Déballage du robot culinaire.
Manipuler la lame et les disques avec soin; elles sont très coupantes.
Laver toutes les pièces, sauf le socle, à l'eau chaude savonneuse.
Rincer et sécher.



Lame à hacher/mélanger

Utiliser pour hacher grossièrement les aliments, pour les ciseler, pour les mélanger ou pour les purer.



Disque réversible à trancher/râper

Utiliser pour effilocheur le fromage ou pour trancher ou hacher divers types d'aliments (pommes de terre, saucissons, carottes, céleri, etc.).

ACCESSOIRE FACULTATIF

Disque pour frites ondulées/disque déchiqueteur fin

Pour commander :

1.800.851.8900 (É.-U.)

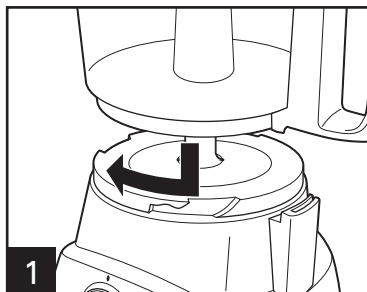
1.800.267.2826 (Canada)

Utilisation de la lame à hacher/mélanger

⚠ AVERTISSEMENT Risque de déchirures. Tenir la lame avec soins; elle est très coupante.

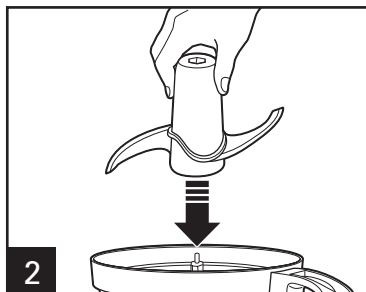
S'assurer que le bouton de commande est en position d'ARRÊT (O) et que l'appareil est débranché.

NOTE : N'utiliser qu'une seule lame ou un seul disque à la fois.

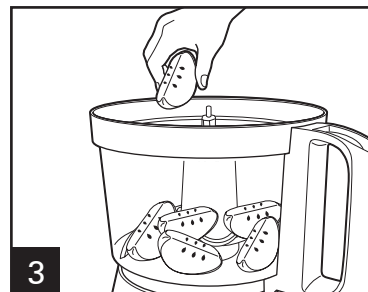


1 Aligner le bol au socle. Tourner le bol dans le sens des aiguilles d'une montre pour le verrouiller en place.

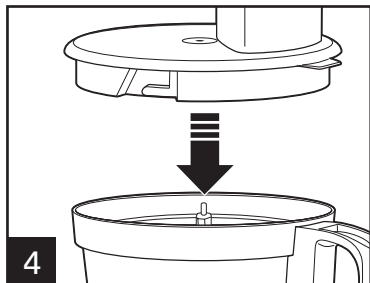
NOTE : L'appareil ne fonctionne que si le bol est verrouillé.



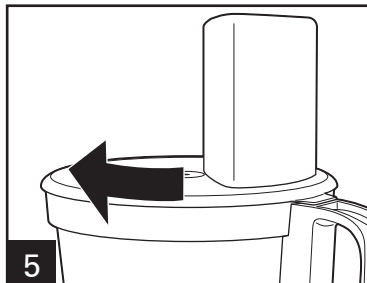
2 Placer soigneusement la lame sur l'arbre du moteur.



3



4 Aligner le bol et couvercle.



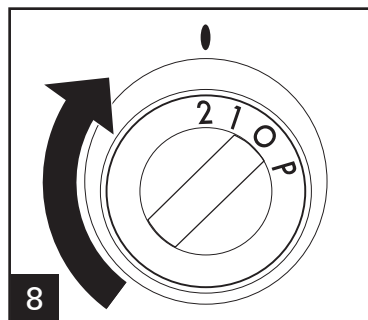
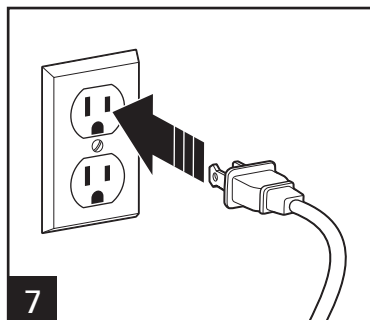
5 Tourner le couvercle dans le sens des aiguilles d'une montre pour verrouiller en place. **NOTE** : L'appareil ne fonctionne que si le couvercle est verrouillé.



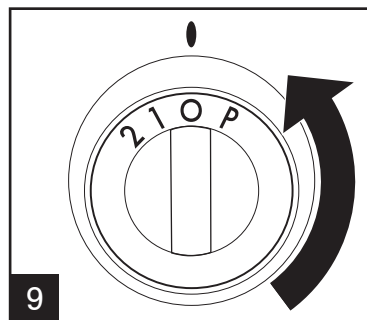
6 Insérer le poussoir dans l'entonnoir.

⚠ AVERTISSEMENT Risque de déchirures : Utiliser toujours le poussoir pour charger les aliments dans l'entonnoir. **NE JAMAIS INTRODUIRE D'ALIMENTS DANS L'ENTONNOIR AVEC LES MAINS OU D'AUTRES OBJETS.**

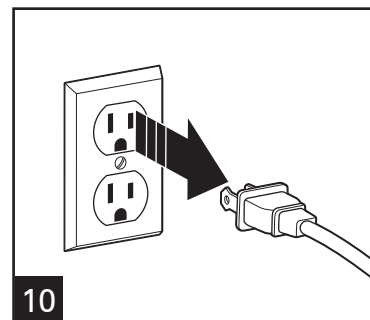
Utilisation de la lame à hacher/mélanger (suite)



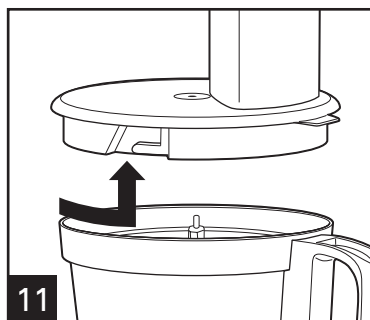
Choisir 1, 2, ou P sur le bouton de commande. 1 ou 2 : Le robot fonctionnera de façon continue. P (PULSE) : Pour contrôler le fonctionnement ou l'arrêt instantané.



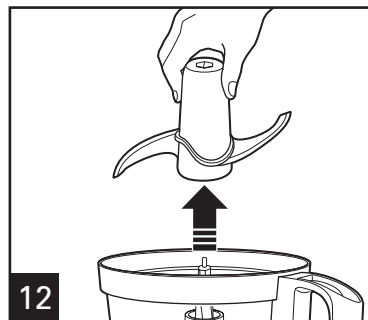
Une fois le travail terminé, éteindre (0) l'appareil et débrancher la base.



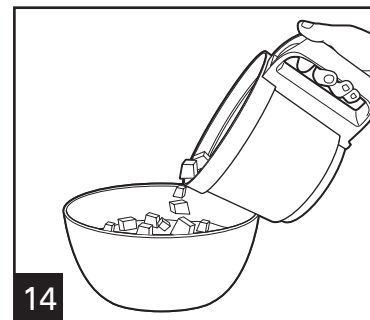
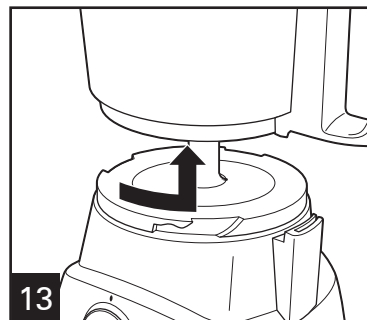
⚠ AVERTISSEMENT Risque de déchirures : Toujours débrancher l'appareil avant de retirer le couvercle.



Pour éviter tout risque de dommage à l'appareil, toujours retirer le couvercle avant de retirer le bol.



Retirer soigneusement la lame de l'arbre du moteur.

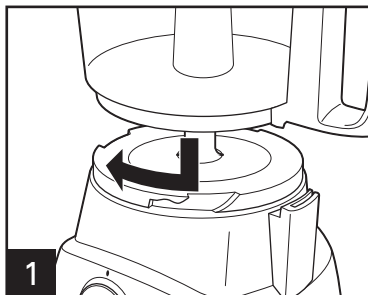


Utilisation du disque à trancher/râper

⚠ AVERTISSEMENT Risque de déchirures. Tenir la lame avec soins; elle est très coupante.

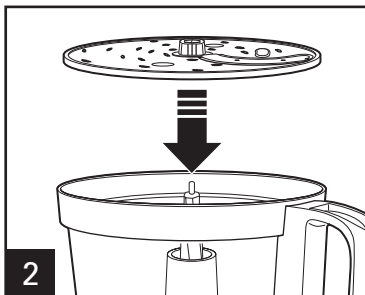
S'assurer que le bouton de commande est en position d'ARRÊT (○) et que l'appareil est débranché.

NOTE : N'utiliser qu'une seule lame ou un seul disque à la fois.

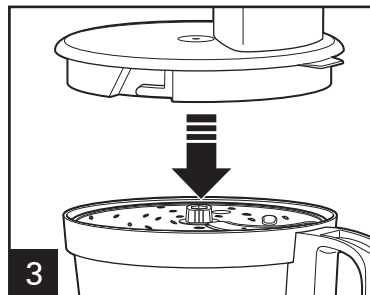


1 Aligner le bol au socle. Tourner le bol dans le sens des aiguilles d'une montre pour le verrouiller en place.

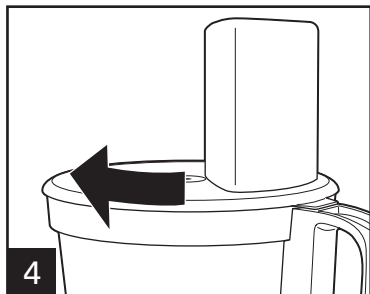
NOTE : L'appareil ne fonctionne que si le bol est verrouillé.



2 Placer soigneusement le disque sur l'arbre du moteur en plaçant la face désirée vers le HAUT. (La lame est gravée des mots « SLICE » [trancher] ou « SHRED » [râper] de chaque côté de la lame).



3 Aligner le bol et couvercle.



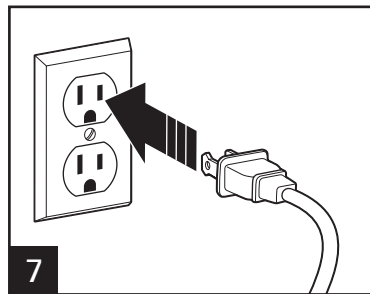
4 Tourner le couvercle dans le sens des aiguilles d'une montre pour verrouiller en place. **NOTE** : L'appareil ne fonctionne que si le couvercle est verrouillé.



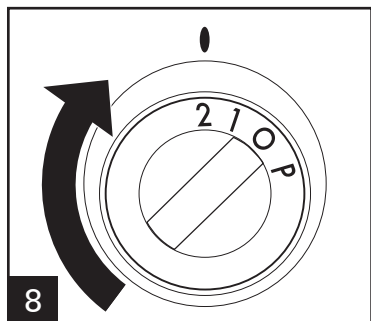
5 Tailler les aliments pour qu'ils s'insèrent dans l'entonnoir. Remplir l'entonnoir d'aliments.



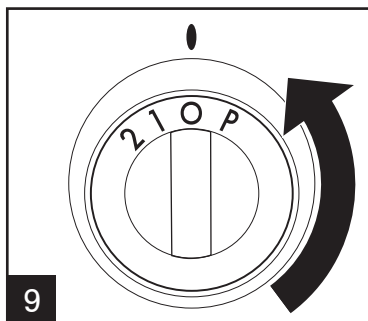
⚠ AVERTISSEMENT Risque de déchirures : Utiliser toujours le poussoir pour charger les aliments dans l'entonnoir. **NE JAMAIS INTRODUIRE D'ALIMENTS DANS L'ENTONNOIR AVEC LES MAINS OU D'AUTRES OBJETS.**



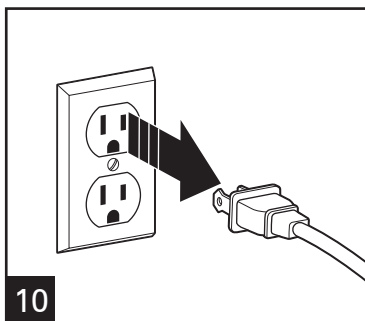
Utilisation du disque à trancher/râper (suite)



8 Choisir **1**, **2**, ou **P** sur le bouton de commande. **1** ou **2** : Le robot fonctionnera de façon continue. **P (PULSE)** : Pour contrôler le fonctionnement ou l'arrêt instantané.

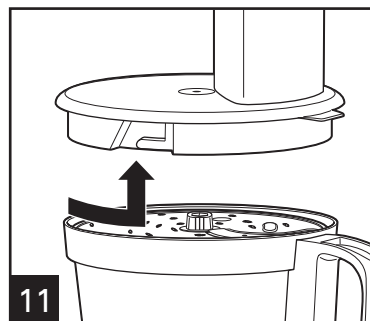


9 Une fois le travail terminé, éteindre (0) l'appareil et débrancher la base.



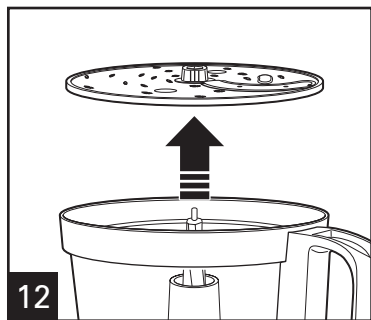
10

⚠ AVERTISSEMENT Risque de déchirures : Toujours débrancher l'appareil avant de retirer le couvercle.



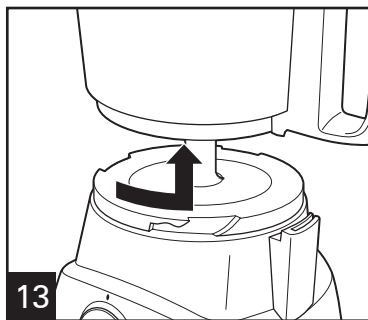
11

Pour éviter tout risque de dommage à l'appareil, toujours retirer le couvercle avant de retirer le bol.

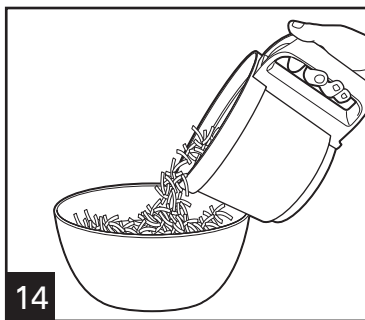


12

Retirer soigneusement le disque de l'arbre du moteur.



13



14

Conseils et méthodes

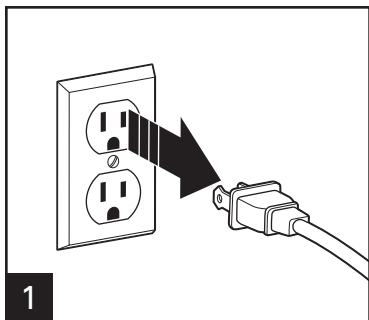
- Pour obtenir une consistance uniforme, commencer par les morceaux d'aliments de même taille. Couper les aliments en morceaux de 1 pouce (2,5 cm) avant de les passer à la lame à hacher/mélanger; laisser suffisamment d'espace dans bol pour que les aliments circulent.
- Ce robot culinaire est idéal pour hacher, mélanger, trancher ou râper la plupart des aliments. Toutefois, pour assurer un rendement optimal, ne pas utiliser le robot culinaire pour les tâches suivantes : mouler le grain, mouler les grains de café ou les épices; trancher de la viande congelée, pétrir la pâte ou concasser de la glace.
- Pour hacher les aliments et obtenir des résultats optimaux, utiliser le mode d'impulsion en alternant la marche/arrêt.
- Le temps de fonctionnement dépend de la quantité d'aliments à transformer. La plupart des aliments peuvent être tranchés, hachés ou déchiquetés en quelques secondes. Si l'appareil est utilisé pour une période de temps prolongée, laisser reposer le robot culinaire pendant 4 minutes approximativement avant de poursuivre.
- Ne pas mettre en purée ou piler des légumes tels que les pommes de terre, car leur surtransformation est rapide et la texture sera collante.
- Pour trancher ou râper du fromage, choisir des fromages fermes comme le cheddar ou le suisse. Pour des résultats optimaux, le fromage doit être refroidi avant de le transformer. Le fromage doit être réfrigéré dès sa sortie du réfrigérateur. Les fromages mous comme la mozzarella doivent être placés au congélateur pendant 30 minutes avant sa transformation pour assurer une fermeté suffisante avant de le râper.
- Le disque réversible à trancher/râper possède une face avec une lame pour trancher et une autre avec des dents pour déchiqueter. Le nom gravé sur la lame, face vers le haut, est la fonction choisie. Placer la lame sur l'arbre du moteur en plaçant la face de coupe désirée vers le haut.
- Pour tailler les légumes en julienne, les trancher et ensuite les retirer de la bol. Les empiler à nouveau. Remettre les légumes taillés dans l'entonnoir en plaçant les tranches à la verticale. Trancher à nouveau pour obtenir des légumes taillés en julienne fine.

Tableaux de transformation

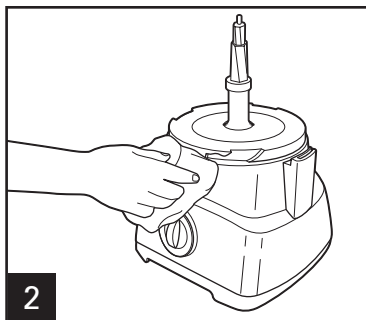
Les disques accessoires sont réversibles et identifiés. Cette étiquette doit se retrouver vers le HAUT pour obtenir la fonction désirée. Ne pas dépasser le niveau de remplissage maximal (MAX LEVEL) indiqué sur le récipient lors de l'utilisation des disques accessoires.

ACCESSOIRES	ALIMENTS
Lame à hacher/mélanger	Couper en morceaux : les noix, la viande, l'ail, les oignons, les poivrons, le céleri, les fines herbes, le pain (pour des miettes) et des craquelins Émincer/passé en purée : les légumes et les fruits Mélanger : les vinaigrettes Passer en purée : les soupes et les sauces Râper : le fromage à pâte ferme tel que le Parmesan (refroidi)
Disque à tranche (face à trancher vers le HAUT)	Les concombres, les pommes, les champignons, les carottes, les pommes de terre, le chou, les tomates, les saucissons, les poivrons, les radis, les fromages à pâte fermes (refroidis)
Disque à râper (face à râper vers le HAUT)	Le chou, les pommes de terre, les carottes, le fromage à pâte ferme (refroidi)
Pour des résultats optimaux, ne pas excéder les quantités suivantes pour hacher, émincer ou mettre en purée à l'aide de la lame à hacher/mélanger.	
ALIMENT	QUANTITÉ MAXIMALE
Fruits et légumes	2 à 3 tasses (500 ml à 750 ml) (couper en cubes de 1 po [2,5 cm])
Viandes	0,7 lb. (350 g) (couper en cubes de 1 po [2,5 cm])
Parmesan ou Romano, refroidis	5 oz. (140 g) (couper en cubes de 1 po [2,5 cm])
Cheddar, Monterey Jack, Mozzarella, refroidis	8 oz. (226 g) (couper en cubes de 1 po [2,5 cm])
Craquelins	10 tasses (2,3 L) remplissage du récipient jusqu'au niveau de l'entonnoir

Nettoyage et entretien

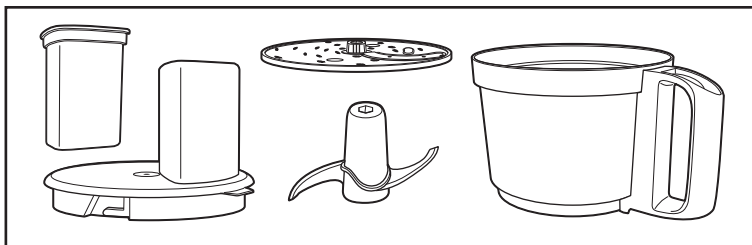


Essuyer le socle, le bouton de commande et le cordon avec un linge humide ou une éponge. Pour enlever les taches rebelles, utiliser un nettoyeur doux et non abrasif.



⚠ AVERTISSEMENT Risque d'électrocution.

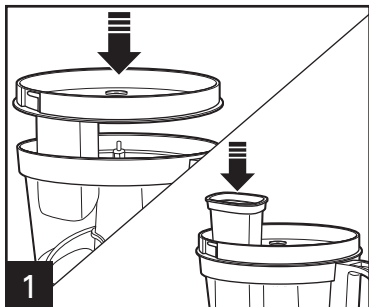
Débrancher l'appareil avant le nettoyage. Ne pas immerger le cordon, la fiche ou la base dans tout autre liquide.



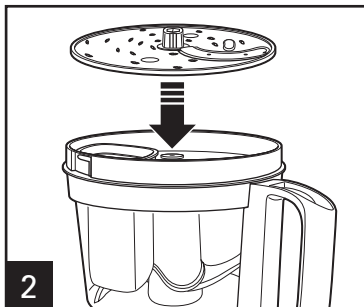
LAVABLE AU LAVE-VAISSELLE (PANIER SUPÉRIEUR SEULEMENT)

NE PAS utiliser le réglage "SANI" du lave-vaisselle. Les températures du cycle "SANI" peuvent endommager le produit. Toutes les pièces amovibles peuvent être lavées dans l'évier et de l'eau chaude savonneuse. Laver la lame de hacher/mélanger et le disque de trancher/râper avec prudence.

Rangement compact



Fixer la lame à hacher/mélanger sur l'arbre du moteur. Basculer le couvercle à l'envers et le placer dans le bol. Insérer le poussoir dans l'entonnoir.



Installer le disque à trancher/râper sur l'arbre du moteur.

⚠ AVERTISSEMENT Risque de lacerations. Ranger la lame à trancher/déchieter avec la face de tranche vers le bas. Manipuler avec soin.

Dépannage

PROBLÈME

CAUSE POSSIBLE

Les vitesses et le mode d'impulsion de l'appareil ne fonctionnent pas.

- L'appareil est-il branché ? La prise fonctionne-t-elle ?
- Le bol et le couvercle sont-ils verrouillés ? Voir les chapitres « Utilisation ».

Les aliments ne sont pas tranchés ou râpés uniformément.

- Le bourrage excessif d'aliments dans l'entonnoir ou l'enfonçage trop fort des poussoirs risque de produire des aliments tranchés ou déchiquetés irrégulièrement. Consultez les tableaux de transformation des aliments qui indiquent les grosseurs et quantités suggérées.

L'appareil s'arrête et refuse de fonctionner.

- Le bol et le couvercle sont-ils verrouillés ? Ces éléments peuvent avoir été déplacés légèrement pendant la transformation. Voir les chapitres « Utilisation ».
- Est-ce que la prise est fonctionnelle ? Vérifier son fonctionnement avec une lampe ou un autre appareil. Le circuit a probablement été surchargé et fait sauter un fusible ou déclenché un disjoncteur.
- Mettre l'appareil hors tension (●) ; attendre 3 à 4 minutes, puis remettre sous tension. Si aucune de ces solutions ne corrige le problème, NE PAS tenter de réparer l'appareil. Composer le numéro sans frais du service à la clientèle pour obtenir les coordonnées du centre de service autorisé le plus près de chez vous.

L'appareil dégage une odeur de brûlé.

- Un résidu de fabrication peut se trouver sur le moteur et peut occasionner une légère odeur de brûlé au cours de la première utilisation. Ceci ne se reproduira plus. Si une forte odeur et une fumée se dégagent de l'appareil, débrancher l'appareil IMMÉDIATEMENT et appeler le numéro sans frais du service à la clientèle.

Le régime du moteur semble faible.

- Est-ce que la grosseur et la quantité d'aliments transformés sont respectées ? Consulter les tableaux de transformation pour obtenir les grosseurs d'aliments et les vitesses recommandées.

Le bol est difficile à retirer de la base.

- Frotter une petite quantité d'huile végétale sur les taquets situés sur la base. Ne pas verrouiller le bol et le couvercle lors du rangement.

Le fromage ne se râpe pas bien.

- Le fromage doit être transformé dès sa sortie du réfrigérateur. Les fromages mous comme la mozzarella doivent être placés au congélateur pendant 30 minutes avant sa transformation pour assurer une fermeté suffisante avant de le râper.

Les légumes ne se tranchent pas ou ne se râpent pas.

- Réfrigérer les légumes à haute teneur en eau avant de les transformer. Les légumes laissés à la température ambiante sont moins fermes et ne se transforment pas aussi bien.

Notes

Garantie limitée

Cette garantie s'applique aux produits achetés et utilisés aux É.-U. et au Canada. C'est la seule garantie expresse pour ce produit et est en lieu et place de tout autre garantie ou condition.

Ce produit est garanti contre tout défaut de matériaux et de main-d'oeuvre pour une période de un (1) an à compter de la date d'achat d'origine. Au cours de cette période, votre seul recours est la réparation ou le remplacement de ce produit ou tout composant s'avérant défectueux, à notre gré, mais vous êtes responsable de tous les coûts liés à l'expédition du produit et le retour d'un produit ou d'un composant dans le cadre de cette garantie. Si le produit ou un composant n'est plus offert, nous le remplacerons par un produit similaire de valeur égale ou supérieure.

Cette garantie ne couvre pas le verre, les filtres, l'usure d'un usage normal, l'utilisation non conforme aux directives imprimées, ou des dommages au produit résultant d'un accident, modification, utilisation abusive ou incorrecte. Cette garantie s'applique seulement à l'acheteur original ou à la personne l'ayant reçu en cadeau. La présentation du reçu de vente d'origine comme preuve d'achat est nécessaire pour faire une réclamation au titre de cette garantie. Cette garantie s'annule si le produit est utilisé autrement que par une famille ou si l'appareil est soumis à toute tension ou forme d'onde différente des caractéristiques nominales précisées sur l'étiquette (par ex. : 120 V ~ 60 Hz).

Nous excluons toutes les réclamations au titre de cette garantie pour les dommages spéciaux, consécutifs et indirects causés par la violation de garantie expresse ou implicite. Toute responsabilité est limitée au prix d'achat. **Chaque garantie implicite, y compris toute garantie ou condition de qualité marchande ou d'adéquation à un usage particulier, est exonérée, sauf dans la mesure interdite par la loi, auquel cas la garantie ou condition est limitée à la durée de cette garantie écrite.** Cette garantie vous donne des droits légaux précis. Vous pouvez avoir d'autres droits qui varient selon l'endroit où vous habitez. Certaines provinces ne permettent pas les limitations sur les garanties implicites ou les dommages spéciaux ou indirects de telle sorte que les limitations ci-dessus ne s'appliquent peut-être pas à votre cas.

Ne pas retourner cet appareil au magasin lors d'une réclamation au titre de cette garantie. Téléphoner au 1.800.851.8900 aux É.-U. ou au 1.800.267.2826 au Canada ou visiter le site internet www.hamiltonbeach.com aux É.-U. ou www.hamiltonbeach.ca au Canada. Pour un service plus rapide, trouvez le numéro de modèle, le type d'appareil et les numéros de série sur votre appareil.

SALVAGUARDIAS IMPORTANTES

Cuando utilice artefactos eléctricos, siempre deben seguirse precauciones de seguridad básicas a fin de reducir el riesgo de incendio, descarga eléctrica, y/o lesiones a personas, incluyendo las siguientes:

1. Lea todas las instrucciones.
2. Este aparato no se destina para utilizarse por personas cuyas capacidades físicas, sensoriales o mentales sean diferentes o estén reducidas, o carezcan de experiencia o conocimiento, a menos que dichas personas reciban una supervisión o capacitación para el funcionamiento del aparato por una persona responsable de su seguridad.
3. Este electrodoméstico no debe ser utilizado por niños. Mantenga el electrodoméstico y su cable fuera del alcance de los niños.
4. Se requiere de una estrecha supervisión cuando el aparato se use por o cerca de niños. Los niños deben supervisarse para asegurar que ellos no empleen los aparatos como juguete.
5. Verifique que el voltaje de su instalación corresponda con el del producto.
6. Para protegerse contra un riesgo de descarga eléctrica, no ponga el cable, enchufe, base o motor en agua o cualquier otro líquido.
7. APAGUE el electrodoméstico (●) y, después, desenchúfelo del tomacorriente cuando no esté en uso, antes de armar o desarmar piezas y antes de limpiarlo. Para desenchufarlo, tome el enchufe y retírelo del tomacorriente. Nunca tire del cable eléctrico.
8. Evite todo contacto con piezas móviles. Mantenga los dedos fuera de la tolva de alimentación.
9. No opere ningún aparato con cables o enchufe dañados o después de que el aparato funcione mal o se caiga o dañe de cualquier manera. El reemplazo del cable de suministro y las reparaciones deben ser efectuadas por el fabricante, su agente de servicio, o personas igualmente calificadas para poder evitar un peligro. Llame al número de servicio al cliente proporcionado para información sobre examinación, reparación o ajuste.
10. El uso de aditamentos no recomendados o vendidos por el fabricante del aparato pueden causar un riesgo de lesiones personales.
11. No use su procesador de alimentos si alguna pieza está quebrada.
12. No lo use en exteriores.
13. No deje que el cable cuelgue del borde de la mesa o cubierta, o toque superficies calientes, incluyendo la estufa.
14. Mantenga las manos y utensilios lejos de la cuchilla móvil y del disco mientras se procesa alimento para reducir el riesgo de lesiones personales severas y/o daño al procesador de alimentos. Se puede usar un raspador de plástico SOLAMENTE cuando el procesador de alimento no funcione.
15. Las cuchillas están filosas. Maneje las cuchillas de corte con cuidado cuando las coloque o quite, cuando vacíe el tazón y durante la limpieza. Almacene lejos del alcance de los niños.
16. Para reducir el riesgo de una lesión, asegúrese de insertar o remover la cuchilla y disco usando los concentradores provisto para tal propósito. Tenga cuidado cuando remueva la cuchilla y disco del tazón, cuando vacíe el tazón y cuando limpie.
17. Asegúrese de que la tapa esté fijada de manera segura en su lugar antes de usar el aparato.
18. Nunca meta el alimento en el ducto con la mano. Siempre use los empujadores de alimento.
19. No trate de anular ningún mecanismo de bloqueo.
20. Asegúrese que la cuchilla o disco se hayan detenido completamente antes de remover la tapa.
21. Para reducir el riesgo de lesiones, nunca coloque la cuchilla cortante o disco en la base sin primero poner el tazón adecuadamente en su lugar.

22. Verifique que el artefacto esté OFF (●/apagado) antes de enchufar el cable en el tomacorriente. Para desconectar, gire el control a OFF (●/apagado), luego quite el enchufe del tomacorriente. Para desconectarlo, agarre el enchufe y retire del tomacorrientes. Nunca tire el cable de alimentación.
23. Asegúrese de poner el interruptor en posición de OFF (●/apagado) después de cada uso. Siempre use los empujadores para vaciar el ducto de alimentos. Cuando este método no sea posible, desconecte el cable de la toma y desensamble la unidad para remover el resto del alimento.
24. El aparato no fue hecho para uso comercial, profesional o industrial. Fue diseñado y construido exclusivamente para uso casero solamente.
25. Nunca use el aparato por un periodo más largo o con una cantidad mayor de ingredientes de los recomendados por el fabricante del aparato.
26. La clasificación máxima de esta unidad está basada en el uso de la cuchilla picadora/mezcladora. Usando el disco para rebanar/rallar puede requerir menos energía.
27. No lo coloque sobre o cerca de un quemador caliente eléctrica o a gas, o dentro de un horno caliente.
28. No use el aparato para otro propósito que no sea para el que fue hecho.
29. Para reducir el riesgo de una lesión, asegúrese de insertar o remover la cuchilla y disco usando los concentradores provisto para tal propósito. Tenga cuidado cuando remueva la cuchilla y disco del tazón, cuando vacíe el tazón y cuando limpie.
30. Tenga cuidado si se vierte líquido caliente en el tazón del procesador de alimentos, ya que puede salir expulsado del aparato debido a una formación repentina de vapor.
31. No llene el tazón por encima de la línea de llenado máximo marcada (o de la capacidad nominal) para evitar el riesgo de lesiones por daños en la cubierta o en el tazón.
32. **¡PRECAUCIÓN!** A fin de evitar un riesgo debido a la reconfiguración inadvertida de la protección térmica, este artefacto no debe recibir suministro mediante un dispositivo de derivación externo, como un temporizador, o conectarse a un circuito que la empresa de servicio regularmente activa y desactiva.

GUARDE ESTAS INSTRUCCIONES

Otra Información de Seguridad para el Cliente

Este aparato está planeado para uso doméstico.

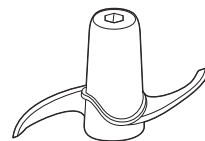
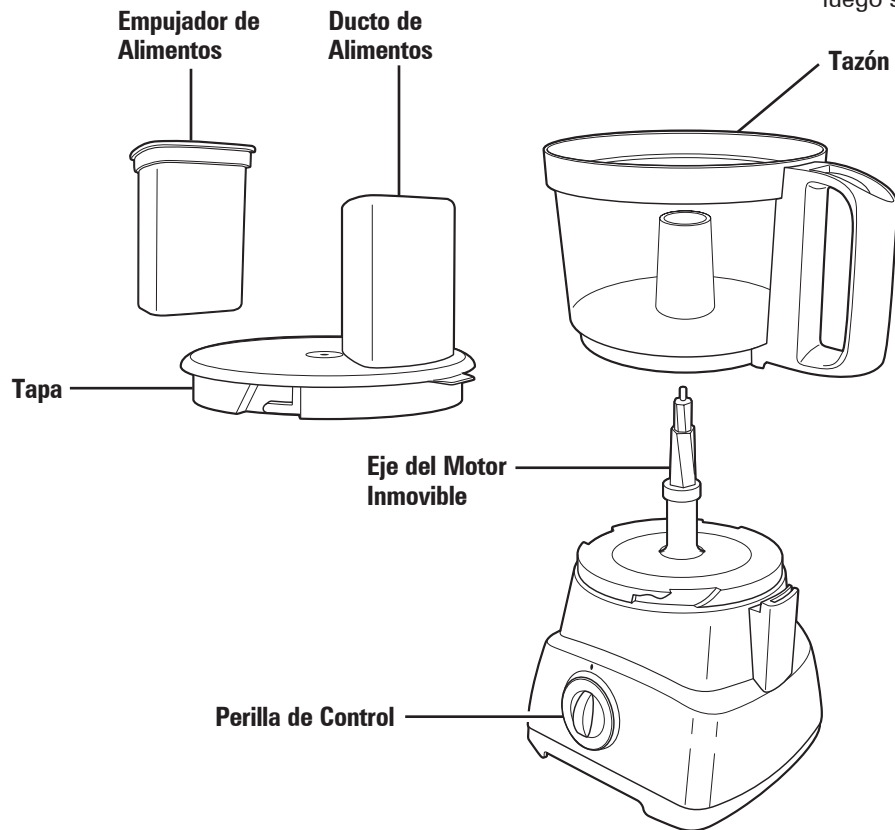
⚠ ADVERTENCIA Peligro de Descarga Eléctrica: Este aparato cuenta con un enchufe polarizado (una pata más ancha) que reduce el riesgo de una descarga eléctrica. El enchufe embona únicamente en una dirección dentro de un tomacorriente polarizado. No trate de obviar el propósito de seguridad del enchufe modificándolo de alguna manera o utilizando un adaptador. Si el enchufe no entra completamente en la toma, invierta el enchufe. Si aún no entra, haga que un electricista reemplace la toma.

El largo del cable que se usa en este aparato fue seleccionado para reducir el peligro de que alguien se enganche o tropiece con un cable más largo. Si es necesario usar un cable más largo, se podrá usar un cable de extensión aprobado. La clasificación eléctrica nominal del cable de extensión debe ser igual o mayor que la clasificación nominal del aparato. Es importante tener cuidado de colocar el cable de extensión para que no se pliegue sobre el mostrador o la mesera en donde niños puedan tirar del mismo o tropezarse accidentalmente.

Para evitar una sobrecarga del circuito eléctrico, no use otro aparato de alto voltaje en el mismo circuito junto con su procesador de alimentos.

Partes y Características

ANTES DE USAR POR PRIMERA VEZ: Desempaque el procesador. Maneje la cuchilla y el(los) disco(s) cuidadosamente; están muy afilados. Lave todas las partes excepto la base en agua caliente y jabonosa. Enjuague, luego seque.



Cuchilla Picadora/Mezcladora

Use para cortar, picar, mezclar o hacer puré el alimento.



Disco para Rebanar/Rallador Reversible

Úselo para rallar queso o rebanar o rallar una variedad de alimentos (como papas, peperoni, zanahorias, apio).

ACCESORIO OPCIONAL

Disco para Corte Plisado/Deshebrado Fino

Para ordenar:

1.800.851.8900 (EUA)

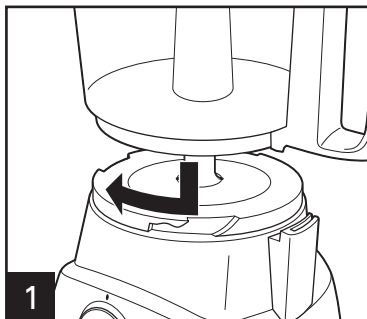
01.800.71.16.100 (México)

Cómo Usar la Cuchilla Picadora/Mezcladora

⚠ ADVERTENCIA Peligro de Laceración. Maneje la cuchilla cuidadosamente; está muy afilada.

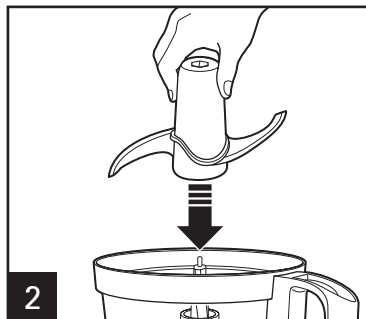
Asegúrese que la perilla de control esté en APAGADO (O) y la unidad esté desconectada.

NOTA: Use sólo con una cuchilla o disco a la vez.

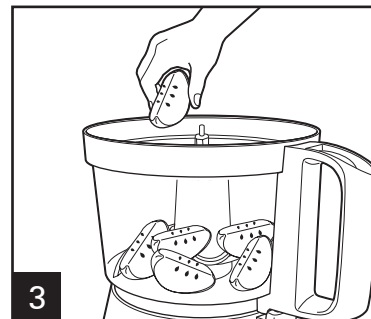


1 Alinee el tazón y la base. Gire el tazón en el sentido de las agujas del reloj para ajustarlo en su lugar.

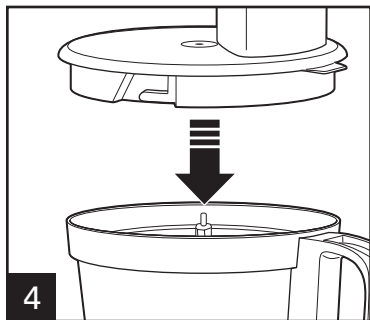
NOTA: La unidad no funcionará a menos que el tazón esté ajustado.



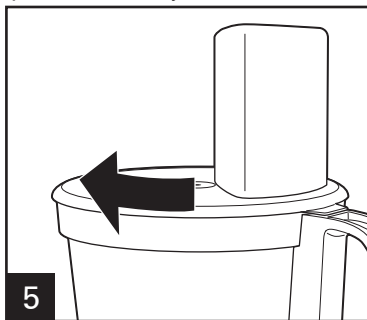
2 Coloque cuidadosamente la cuchilla en el eje del motor.



3

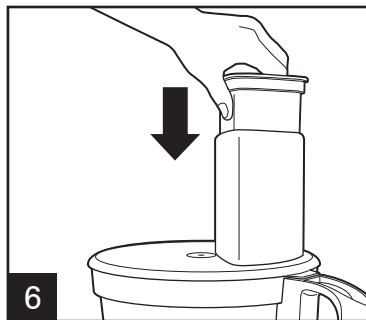


4 Alinee la tapa y el tazón.



5 Gire la tapa en el sentido de las agujas del reloj para ajustarla en su lugar.

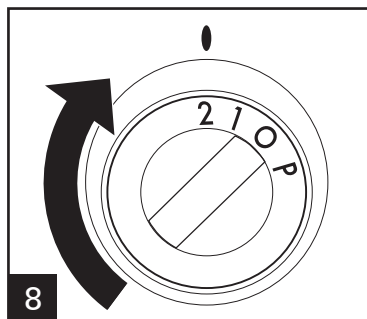
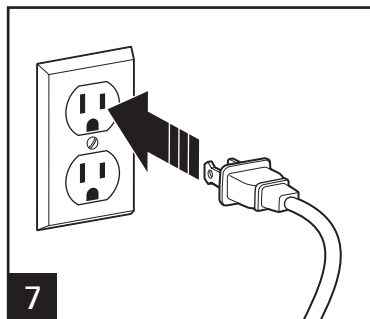
NOTA: La unidad no funcionará a menos que la tapa esté ajustada.



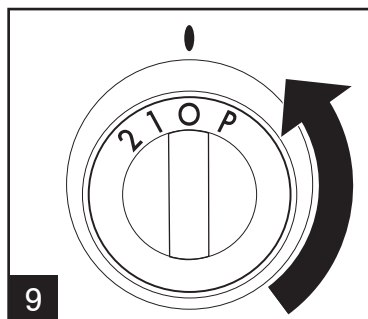
6 Coloque el empujador de alimento en el ducto de alimento.

⚠ ADVERTENCIA Peligro de Laceración: Siempre use el empujador de alimento para ingresar alimento en el ducto. **NUNCA EMPUJE EL ALIMENTO POR EL DUCTO USANDO LAS MANOS O OBJETOS OTROS.**

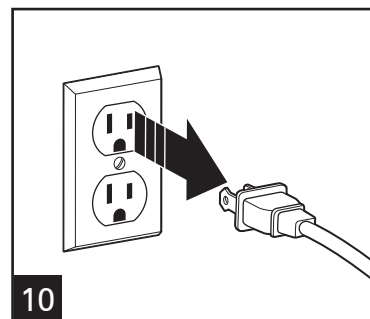
Cómo Usar la Cuchilla Picadora/Mezcladora (cont.)



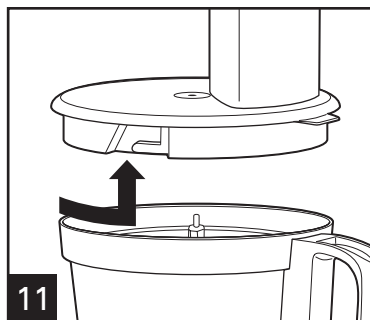
7
8
Seleccione 1, 2, o P en el perilla de control. 1 o 2: El procesador funcionará continuamente. P (PULSE): Para un control de encendido y apagado al instante.



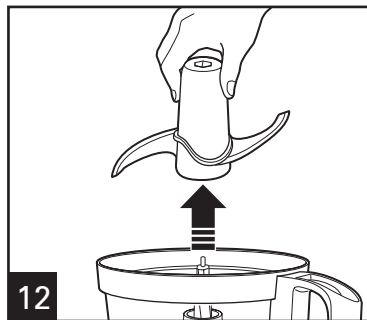
9
10
Cuando termine, apague (O) y desconecte.



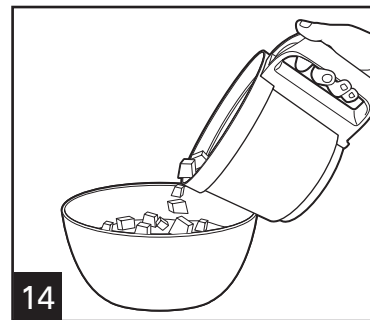
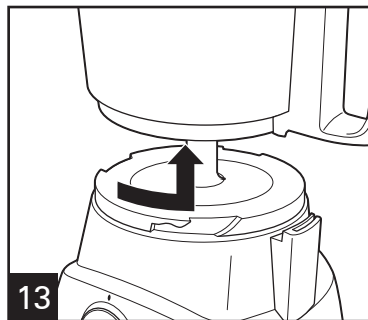
⚠ ADVERTENCIA Peligro de Laceración: Siempre desenchufe la unidad antes de quitar la tapa.



11
Siempre remueva la tapa antes de remover el tazón para evitar posibles daños al aparato.



12
13
14
Remueva cuidadosamente la cuchilla del eje del motor.

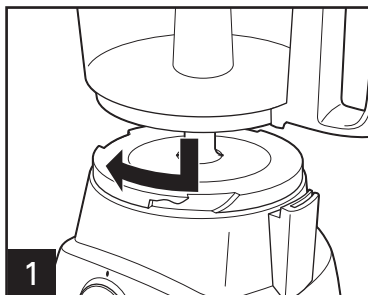


Cómo Usar el Disco para Rebanar/Rallar

⚠ ADVERTENCIA Peligro de Laceración. Maneje la cuchilla cuidadosamente; está muy afilada.

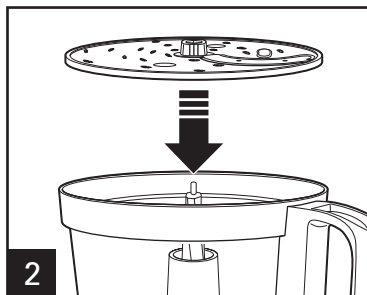
Asegúrese que la perilla de control esté en APAGADO (O) y la unidad esté desconectada.

NOTA: Use sólo con una cuchilla o disco a la vez.

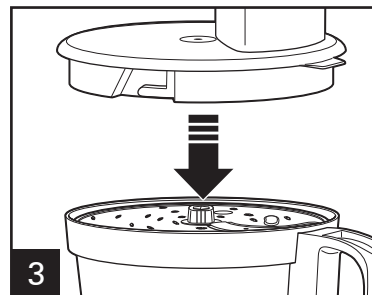


1 Alinee el tazón y la base. Gire el tazón en el sentido de las agujas del reloj para ajustar en su lugar.

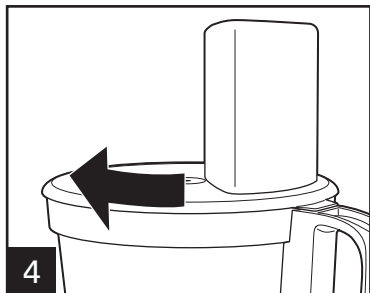
NOTA: La unidad no funcionará a menos que el tazón esté ajustado.



2 Coloque cuidadosamente el disco en el eje del motor con el lado deseado viendo hacia ARRIBA. ("SLICE" [rebanar] o "SHRED" [rallar] se encuentran indicados en cada lado de la cuchilla).



3 Alinee la tapa y el tazón.



4 Gire la tapa en el sentido de las agujas del reloj para ajustar en su lugar.

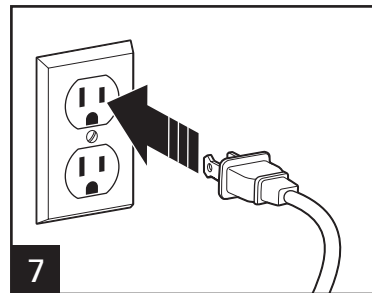
NOTA: La unidad no funcionará a menos que la tapa esté ajustada.



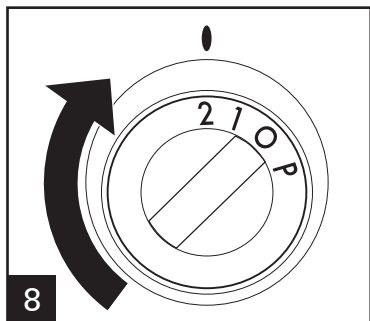
5 Corte el alimento para que quepa en el ducto de alimentos. Llene el ducto con alimento.



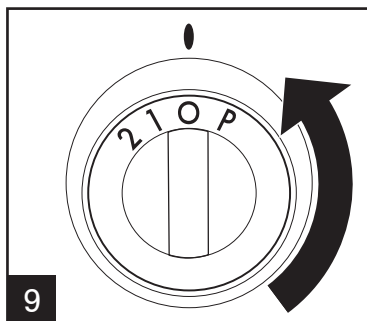
⚠ ADVERTENCIA Peligro de Laceración: Siempre use el empujador de alimento para ingresar alimento en el ducto. **NUNCA EMPUJE EL ALIMENTO POR EL DUCTO USANDO LAS MANOS O OBJETOS OTROS.**



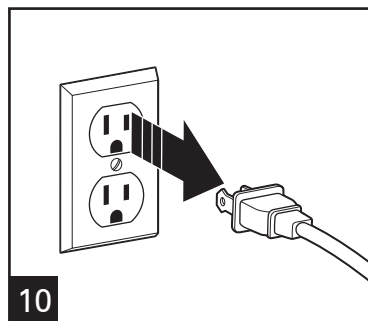
Cómo Usar el Disco para Rebanar/Rallar (cont.)



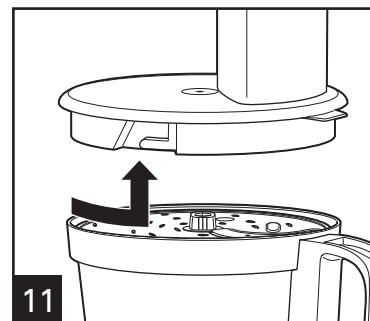
8
Seleccione **1**, **2**, o **P** en el perilla de control. **1** o **2**: El procesador funcionará continuamente. **P (PULSE)**: Para un control de encendido y apagado al instante.



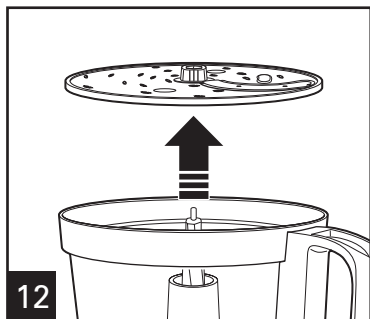
9
Cuando termine, apague (**O**) y desconecte.



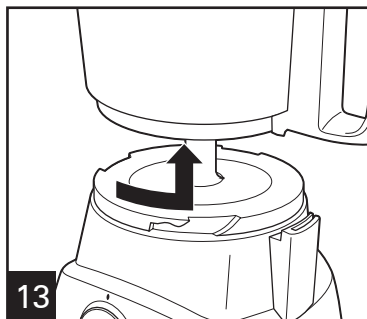
10
⚠ ADVERTENCIA Peligro de Laceración: Siempre desenchufe la unidad antes de quitar la tapa.



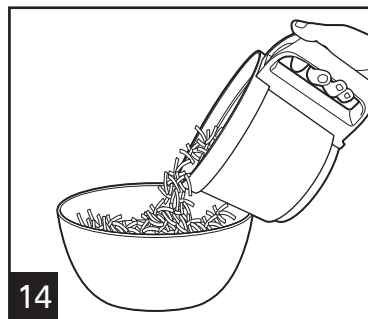
11
Siempre remueva la tapa antes de remover el tazón para evitar posibles daños al aparato.



12
Remueva cuidadosamente el disco del eje del motor.



13



14

Consejos y Técnicas

- Para una consistencia más uniforme, comience con pedazos de alimento que sean similares en tamaño. Corte el alimento en pedazos de 1 pulgada (2.5 cm) antes de procesar con la cuchilla de picado/mezclado y deje espacio en el tazón para que se mueva el alimento.
- Este procesador de alimentos es excelente para cortar, mezclar, rebanar o rallar la mayoría de los alimentos. Sin embargo, para mantener un desempeño máximo, no use su procesador de alimentos para lo siguiente: moler granos, granos de café o especias; rebanar carne congelada; amasar masa; o triturar hielo.
- Cuando corte alimentos, empujando poco a poco producirá mejores resultados.
- El tiempo de funcionamiento dependerá de la cantidad de alimento a ser procesada. La mayoría de los alimentos pueden ser rebanados, picados o rallados en segundos. Si la unidad es usada por un período de tiempo prolongado, deje que el procesador descanse por unos 4 minutos antes de continuar.
- No haga puré o masa vegetales almidonados como papas ya que pueden ser fácilmente sobre-procesadas y se volverán gomosas.
- Para rebanar o deshebrar queso, seleccione quesos firmes como Cheddar o Suizo. Para mejores resultados, procese el queso que esté refrigerado. El queso debe procesarse inmediatamente después de retirarse del refrigerador. Los quesos blandos como el mozzarella debe pueden colocarse en el congelador por 30 minutos antes de procesarse para garantizar que estén lo suficientemente firmes para poder rallarlos.
- El disco para rebanar/rallar reversible tiene una cuchilla rebanadora en un lado y dientes para deshebrar en el otr. El nombre grabado en la cuchilla, viendo hacia arriba, es la función seleccionada. Colóquelo en el eje del motor con el borde de corte deseado viendo hacia arriba.
- Para preparar vegetales tipo juliana, rebane y luego remueva del tazón. Vuelva a colocar las verduras. Empaque en ducto de alimento con las rebanadas en vertical. Rebane de nuevo para hacer vegetales de corte tipo cerillo.

Tablas de Procesamiento

Los aditamentos de disco son reversibles y marcados. Esta marca debe ver hacia arriba para la función deseada. Cuando use aditamentos de disco, no procese más allá del NIVEL MÁX. en el Tazón.

ADITAMENTO	ALIMENTOS
Cuchilla Picadora/Mezcladora	Cortar: Nueces, carne, ajo, cebollas, pimientos, apio, hierbas, pan (para migajas), galletas Picar/Puré: Verduras, frutas Mezclar: Aderezos de ensalada Puré: Sopas, salsas Rallar: Queso duro como el parmesano (refrigerado)

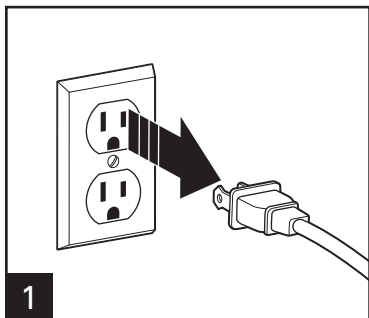
Disco Rebanar (lado de rebanado viendo hacia ARRIBA)	Pepinos, manzanas, champiñones, zanahorias, papas, repollo, tomates, peperoni, pimientos, rábanos, quesos duros (refrigerados)
--	--

Disco para Rallar (lado de ralla viendo hacia ARRIBA)	Repollo, papas, zanahorias, queso duro (refrigerado)
---	--

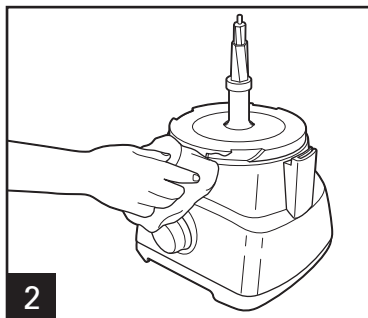
Para mejores resultados no exceda las cantidades siguientes cuando corte, pique, o haga puré con la cuchilla picadora/mezcladora.

ALIMENTO	CANTIDADES MÁXIMAS
Frutas y Vegetales	2 a 3 tazas (500 ml a 750 ml) (corte en cubos de 1" [2.5 cm])
Carnes	0.7 libra (350 g) (corte en cubos de 1" [2.5 cm])
Parmesano o Romano, refrigerados	5 onzas (140 g) (corte en cubos de 1" [2.5 cm])
Cheddar, Monterey Jack, Mozzarella, refrigerados	8 onzas (226 g) (corte en cubos de 1" [2.5 cm])
Galletas	10 tazas (2.3 L) (puede llenar el tazón y tapa hasta el ducto)

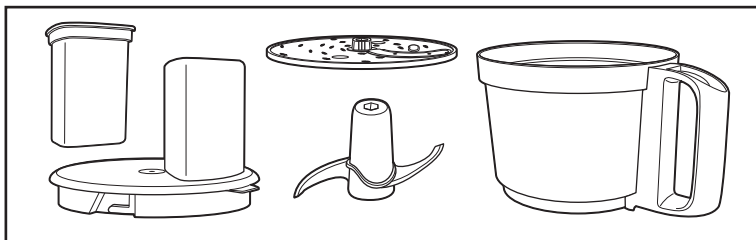
Limpieza y Cuidado



Limpie la base, perilla de control, y cable con un trapo o esponja húmeda. Si fuera necesario, use un limpiador suave no abrasivo.

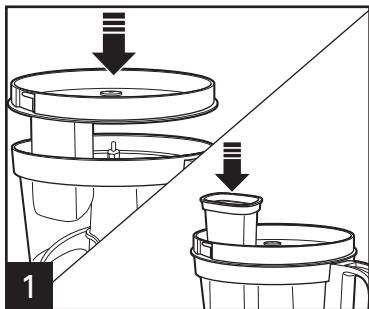


⚠ ADVERTENCIA Peligro de Descarga Eléctrica. Desconecte la electricidad antes de limpiar. No sumerja el cable, enchufe o base en ningún líquido.

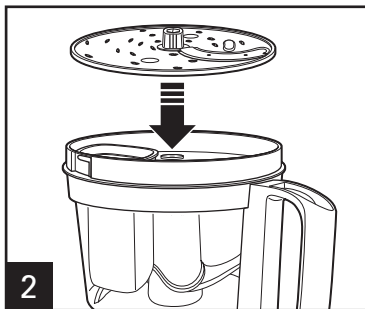


No utilice la configuración "SANI" cuando la lave en el lavavajillas. Las temperaturas del ciclo "SANI" pueden dañar su producto. Todas las piezas desmontables también pueden lavarse en el fregadero con agua caliente jabonosa. Tenga cuidado al lavar la cuchilla picadora/mezcladora y el disco para rebanar/rallar de corte.

Almacenamiento con Economía de Espacio



Coloque la cuchilla de picado/mezclado en el eje del motor. Gire la tapa con la parte de arriba hacia abajo y coloque en el tazón. Coloque el empujador de alimento en el ducto de alimento.



Coloque el disco para rebanar/rallar en el eje del motor.

⚠ ADVERTENCIA Peligro de Laceración. Almacene el disco para rebanar/rallar con el lado de rebanado hacia abajo. Manéjelo con cuidado.

Resolviendo Problemas

PROBLEMA

PROBABLE CAUSA

La unidad no funciona a ninguna velocidad o Pulso.

- ¿Está conectada la unidad? ¿Funciona la toma?
- ¿Están el tazón y la tapa asegurados en su lugar? Vea las secciones de Cómo Usar.

El alimento no es rebanado o deshebrado uniformemente.

- El empacar mucho alimento en el ducto de alimentos o empujar demasiado duro con el empujador de alimentos puede causar que el alimento procesado sea rebanado o deshebrado irregularmente. Consulte las tablas de procesamiento por tamaños y cantidades recomendadas.

La unidad se detiene y no se vuelve a encender.

- ¿Están el tazón y la tapa asegurados en su lugar? Se pueden haber movido un poco durante el procesamiento. Vea las secciones de Cómo Usar.
- ¿Está aún funcionando la toma? Revísela conectando una lámpara u otro aparato que funcione. Puede que haya sobrecargado el circuito y volado un fusible o botado el interruptor de circuito.
- APAGUE (●) la unidad, déjela descansar por 3 a 4 minutos, luego vuelva a ENCENDERLA. Si ninguna de estas sugerencias corrigen el problema, NO intente reparar la unidad. Llame al número de Servicio al Cliente para obtener el nombre de su Centro de Servicio Autorizado más cercano.

La unidad huele a quemado.

- Puede haber un residuo del proceso de fabricación aún en el motor, causando un ligero olor durante el uso inicial. Esto desaparecerá. Si aparece un fuerte olor o un humo visible, desconecte la unidad INMEDIATAMENTE y llame al número de Servicio al Cliente.

El motor parece débil.

- ¿Está usando el tamaño y cantidad de alimento recomendado a ser procesado? Consulte las tablas de procesamiento para tamaños de alimento y velocidades recomendados.

Resulta difícil quitar el tazón de la base.

- Frote una pequeña cantidad de aceite vegetal en las trabas, ubicadas en la base. No trabe el tazón y la tapa durante el almacenamiento.

El queso no queda bien rallado.

- El queso debe procesarse inmediatamente después de retirarse del refrigerador. Los quesos blandos como el mozzarella debe pueden colocarse en el congelador por 30 minutos antes de procesarse para garantizar que estén lo suficientemente firmes para poder rallarlos.

Los vegetales no quedan bien rallados o rebanados.

- Guarde los vegetales con un contenido elevado de agua en el refrigerador antes de procesarlos. Los vegetales que se encuentran a temperatura ambiente no son tan firmes y no pueden procesarse tan bien.

GARANTÍA PARA PRODUCTOS COMPRADOS EN MÉXICO

PRODUCTO:

MARCA:

MODELO:

Grupo HB PS, S.A. de C.V. cuenta con una Red de Centros de Servicio Autorizada, por favor consulte en la lista anexa el nombre y dirección de los establecimientos en la República Mexicana en donde usted podrá hacer efectiva la garantía, obtener partes, componentes, consumibles y accesorios; así como también obtener servicio para productos fuera de garantía. Para mayor información llame al: **Centro de Atención al consumidor: 800 71 16 100**

Grupo HB PS, S.A. de C.V. le otorga a partir de la fecha de compra:
GARANTÍA DE 1 AÑO.

COBERTURA

- Esta garantía ampara, todas las piezas y componentes del producto que resulten con defecto de fabricación incluyendo la mano de obra.
- Grupo HB PS, S.A. de C.V. se obliga a reemplazar, reparar o reponer, cualquier pieza o componente defectuoso; proporcionar la mano de obra necesaria para su diagnóstico y reparación, todo lo anterior sin costo adicional para el consumidor.
- Esta garantía incluye los gastos de transportación del producto que deriven de su cumplimiento dentro de su red de servicio.

LIMITACIONES

- Esta garantía no ampara el reemplazo de piezas deterioradas por uso o por desgaste normal, como son: cuchillas, vasos, jarras, filtros, etc.
- Grupo HB PS, S.A. de C.V. no se hace responsable por los accidentes producidos a consecuencia de una instalación eléctrica defectuosa, ausencia de toma de tierra, clavija o enchufe en mal estado, etc.

EXCEPCIONES

Esta garantía no será efectiva en los siguientes casos:

- a) Cuando el producto se hubiese utilizado en condiciones distintas a las normales. (Uso industrial, semi-industrial o comercial.)
- b) Cuando el producto no hubiese sido operado de acuerdo con el instructivo de uso.
- c) Cuando el producto hubiese sido alterado o reparado por personas no autorizadas por Grupo HB PS, S.A. de C.V. el fabricante nacional, importador o comercializador responsable respectivo.

El consumidor puede solicitar que se haga efectiva la garantía ante la propia casa comercial donde adquirió su producto, siempre y cuando Grupo HB PS, S.A. de C.V. no cuente con talleres de servicio.

PROCEDIMIENTO PARA HACER EFECTIVA LA GARANTÍA

- Para hacer efectiva la garantía, lleve su aparato al Centro de Servicio Autorizado más cercano a su domicilio (consulte la lista anexa).
- Si no existe Centro de Servicio Autorizado en su localidad llame a nuestro Centro de Atención al Consumidor para recibir instrucciones de como hacer efectiva su garantía.

FECHA DE ENTREGA	SELLO DEL VENDEDOR	QUEJAS Y SUGERENCIAS
DÍA__ MES__ AÑO__		Si desea hacer comentarios o sugerencias con respecto a nuestro servicio o tiene alguna queja derivada de la atención recibida en alguno de nuestros Centros de Servicio Autorizados, por favor dirigirse a: GERENCIA INTERNACIONAL DE SERVICIO 800 71 16 100 Email: mexico.service@hamiltonbeach.com

CENTROS DE SERVICIO AUTORIZADOS**Ciudad de México****ELECTRODOMÉSTICOS**

Av. Plutarco Elias Cailles No. 1499
Zacahuitzco, Benito Juárez, Ciudad de México, C.P. 09490
Tel: 55 5235 2323

CASA GARCÍA

Av. Patriotismo No. 875-B
Mixcoac, Benito Juárez, Ciudad de México, C.P. 03910
Tel: 55 5563 8723

Nuevo León**FERNANDO SEPÚLVEDA REFACCIONES**

Ruperto Martínez No. 238 Ote.
Col. Centro Monterrey, N.L., CP 6400
Tel: 81 8343 6700

Jalisco**SERVICIOS DE MANTENIMIENTO CASTILLO**

Garibaldi No. 1450
Ladrón de Guevara, Guadalajara, Jalisco, C.P. 44660
Tel: 33 3825 3480

Modelo:
70740

Tipo:
FP21

Características Eléctricas:
120 V~ 60 Hz 450 W

Los modelos incluidos en el instructivo de Uso y Cuidado pueden ir seguidos o no por un sufijo correspondiente a una o varias letras del alfabeto y sus combinaciones, separadas o no por un espacio, coma, diagonal, o guión. Como ejemplos los sufijos pueden ser: "Y" y/o "MX" y/o "MXY" y/o "Z".

BLACK+DECKER

Customer Care Line: 1-800-231-9786
For online customer service:
www.prodprotect.com/applica

Línea de Atención del Cliente: 1-800-231-9786
Para servicio al cliente en línea:
www.prodprotect.com/applica

LIGHTWEIGHT HAND MIXER

BATIDORA DE MANO LIVIANA

use and care manual
manual de uso y cuidado

MX1500W



PARTS AND FEATURES



1. Wire beaters (Part# MX1500W-01)
2. Mixer body
3. Speed wheel
4. Turbo boost button

5. Easy eject feature
6. Heel and bowl rest

Product may vary slightly from what is illustrated.

GETTING STARTED

- Remove all packing material, any stickers, and the plastic band around the power plug.
- Remove and save literature.
- Please go to www.prodprotect.com/applica to register your warranty.
- Wash all removable parts.

WHAT SPEED TO USE

1 (Low)	2 (Low/Med)	3 (Medium)	4 (Med/High)	5 (High)	TURBO (high speed burst)
Stir	Combine	Mix	Blend	Beat/Whip	
Combining dry and wet ingredients. Adding to mixtures: nuts, dried fruits, chocolate chips.	Preparing puddings; mixing dough or thin batter.	Creaming butter and sugar; mixing cake batters and frostings.	Beating whole eggs or frozen desserts; mixing light batter, such as for popovers.	Whipping cream and egg whites; mashing potatoes.	Use at any speed setting to get maximum power for tough mixing tasks.

HOW TO CLEAN

Wipe mixer body with damp cloth and dry thoroughly with a dry cloth. Hand wash attachments in warm, soapy water or in the dishwasher.

IMPORTANT SAFEGUARDS

When using electrical appliances, basic safety precautions should always be followed, including the following:

- Read all instructions.
- To protect against risk of electrical shock do not immerse cord, plugs or appliance in water or other liquid.
- Close supervision is necessary when any appliance is used by or near children.
- Unplug from outlet when not in use, before putting on or taking off parts and before cleaning.
- Avoid contacting moving parts. Keep hands, hair and clothing- as well as spatulas and other utensils- away from beaters during operation to reduce the risk of injury to persons, and/or damage to the mixer.
- Do not operate appliance with a damaged cord or plug, or after the appliance malfunctions or has been dropped or damaged in any manner. Contact Consumer Support at the toll-free number listed in the warranty section.
- This appliance has important markings on the plug blade. The attachment plug or entire cord set (if plug is molded onto cord) is not suitable for replacement. If damaged, the appliance must be replaced.
- The use of attachments not recommended or sold by the manufacturer may cause fire, electric shock or injury.
- Do not use outdoors.
- Do not let cord hang over edge of table or counter.
- Do not let cord contact hot surface, including the stove.
- Remove beaters from mixer before washing.
- This appliance is not intended for use by persons (including children) with reduce physical, sensory or mental capabilities, or lack of experience and knowledge, unless they have been given supervision or instruction concerning use of the appliance by a person responsible for their safety.
- Children should be supervised to ensure that they do not play with the appliance.
- The maximum rated wattage for this product was obtained with the dough hooks. Other recommended attachments may draw significantly less power or current.

SAVE THESE INSTRUCTIONS.

This product is for household use only.

POLARIZED PLUG

This appliance has a polarized plug (one blade is wider than the other). To reduce the risk of electric shock, this plug is intended to fit into a polarized outlet only one way. If the plug does not fit fully into the outlet, reverse the plug. If it still does not fit, contact a qualified electrician. Do not attempt to modify the plug in any way.

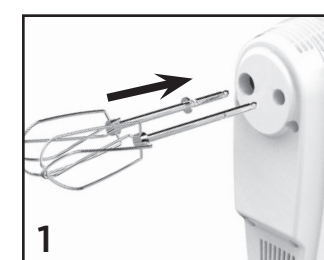
TAMPER-RESISTANT SCREW

Warning: This appliance is equipped with a tamper-resistant screw to prevent removal of the outer cover. To reduce the risk of fire or electric shock, do not attempt to remove the outer cover. There are no user-serviceable parts inside. Repair should be done only by authorized service personnel.

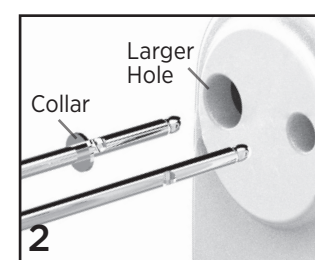
ELECTRICAL CORD

- A short power-supply cord is provided to reduce the risks resulting from becoming entangled in or tripping over a longer cord.
 - Extension cords are available and may be used if care is exercised in their use.
 - If an extension cord is used:
 - The marked electrical rating of the extension cord should be at least as great as the electrical rating of the appliance; and
 - The cord should be arranged so that it will not drape over the counter top or tabletop where it can be pulled on by children or tripped over.
- Note:** If the power cord is damaged, please contact the warranty department listed in these instructions.

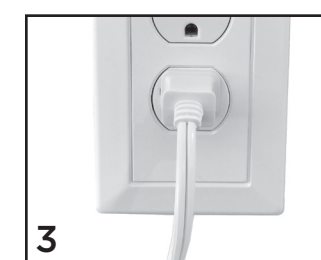
HOW TO USE



With mixer unplugged from outlet, insert beaters.



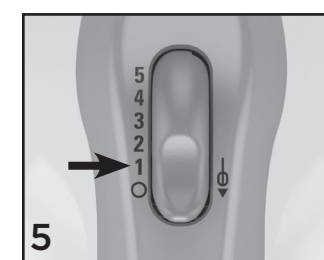
NOTE: To insert beaters, put the one with a collar into the larger hole.



Once beaters are firmly inserted, plug the mixer into an outlet.



For least-mess mixing: Before turning on, insert beaters into the center of food at a 90 degree angle.



NOTE: Begin all mixing tasks on speed #1, then increase speed as needed.



TIP: To scrape the bowl with a spatula, first turn mixer off then place mixer on heel rest.



When finished, turn speed wheel to O (OFF) and unplug mixer. Then press wheel downwards to eject beaters.



WARRANTY AND CUSTOMER SERVICE INFORMATION

Two-Year Limited Warranty (Applies only in the United States and Canada)

For service, repair or any questions regarding your appliance, call the appropriate 800 number listed within this section. Please DO NOT return the product to the place of purchase. Also, please DO NOT mail product back to manufacturer, nor bring it to a service center. You may also want to consult the website listed on the cover of this manual.

What does it cover?

- Any defect in material or workmanship provided; however, Spectrum Brands Inc's liability will not exceed the purchase price of product.

For how long?

- Two years from the date of original purchase with proof of purchase.

What will we do to help you?

- Provide you with a reasonably similar replacement product that is either new or factory refurbished.

How do you get service?

- Save your receipt as proof of date of sale.
- Visit the online service website at www.prodprotect.com/applica, or call toll-free 1-800-231-9786, for general warranty service.
- If you need parts or accessories, please call 1-800-738-0245.

What does your warranty not cover?

- Damage from commercial use
- Damage from misuse, abuse or neglect
- Products that have been modified in any way
- Products used or serviced outside the country of purchase
- Glass parts and other accessory items that are packed with the unit
- Shipping and handling costs associated with the replacement of the unit
- Consequential or incidental damages (Please note, however, that some states do not allow the exclusion or limitation of consequential or incidental damages, so this limitation may not apply to you.)

How does state law relate to this warranty?

- This warranty gives you specific legal rights. You may also have other rights that vary from state to state or province to province.

BLACK+DECKER



Comercializado por:
Spectrum Brands de México, S.A de C.V
Autopista México Querétaro
No 3069-C Oficina 004
Colonia San Andrés Atenco, Tlalnepantla
Estado de México, C.P. 54040
Mexico.
Tel: (55) 5831 - 7070
Servicio y Reparación
Art. 123 No. 95
Col. Centro, C.P. 06050
Deleg. Cuauhtemoc
Servicio al Consumidor,
Venta de Refacciones y Accesorios
01 800 714 2503
Importado por / Imported by:
RAYOVAC ARGENTINA S.R.L.
Humboldt 2495 Piso# 3
(C1425FUG) C.A.B.A. Argentina.
C.U.I.T No. 30-70706168-1

Importado por / Imported by:
Spectrum Brands de México, S.A de C.V
Autopista México Querétaro
No 3069-C Oficina 004
Colonia San Andrés Atenco, Tlalnepantla
Estado de México, C.P. 54040
Mexico.
Tel: (55) 5831-7070
Para atención de garantía marque:
01 (800) 714 2503
Importado por / Imported by:
Spectrum Brands
En Chile, Household Products Chile Ltda
Av. Del Valle 570, Ofic. 704
Ciudad Empresarial, Huechuraba
Santiago - Chile
Fono: (562) 2571 3700
Importado por / Imported by:
Spectrum Brands S.A.
Carrera 17 No.89-40
Bogotá, Colombia
Línea de atención al cliente: 018000510012

BLACK & DECKER, BLACK+DECKER, the BLACK & DECKER and BLACK+DECKER logos and product names are trademarks of The Black & Decker Corporation, used under license. All rights reserved.

BLACK & DECKER, BLACK+DECKER, the BLACK & DECKER and los logos y nombres de productos de BLACK+DECKER son marcas registradas de The Black & Decker Corporation, usados bajo licencia. Todos los derechos reservados.

Made and Printed in People's Republic of China.
Fabricado e Impreso en la Republica Popular de China.

16277-00
T22-5003377

© 2016 The Black & Decker Corporation and Spectrum Brands, Inc., Middleton, WI 53562

250W 120V~ 60Hz.

Código de fecha / Date Code / Le code de date:

Sello del Distribuidor:

Fecha de compra:

Modelo:

Por favor lea este instructivo antes de usar el producto.

INSTRUCCIONES IMPORTANTES DE SEGURIDAD

Cuando se usan aparatos eléctricos, siempre se deben respetar las siguientes medidas básicas de seguridad:

- Por favor lea todas las instrucciones.
- A fin de protegerse contra el riesgo de un choque eléctrico, no sumerja el cable, los enchufes ni el aparato en agua ni en ningún otro líquido.
- Todo aparato eléctrico usado en la presencia de los niños o por ellos mismos requiere la supervisión de un adulto.
- Desconecte el aparato del tomacorriente cuando no esté en uso, antes de instalarle o retirarle piezas y antes de limpiarlo.
- Evite el contacto con las piezas móviles. Cuando el aparato está en funcionamiento se debe mantener las manos, el cabello y la ropa, al igual que las espátulas y demás utensilios, alejados de los batidores para reducir el riesgo de lesiones a las personas y [o] daño a la batidora.
- No opere ningún aparato eléctrico con un cable o enchufe dañado, que presente un problema de funcionamiento o que se haya caído o dañado de manera alguna. Comuníquese con Servicio al Cliente al número de teléfono gratuito que aparece en la sección de garantía.
- Este aparato contiene marcas importantes en la clavija del enchufe. Ni el enchufe de accesorio ni el enchufe completo (si el enchufe está moldeado en el cable) puede ser reemplazado. Si se daña, el aparato debe ser reemplazado.

- El uso de accesorios no recomendados por el fabricante del aparato puede ocasionar incendio, choque eléctrico o lesiones.
- No use este aparato a la intemperie.
- No permita que el cable cuelgue del borde de la mesa o del mostrador.
- No permita que el cable entre en contacto con ninguna superficie caliente, incluyendo la estufa.
- Remueva los batidores de la batidora antes de lavarla.
- Este aparato no está diseñado para ser utilizado por personas (incluyendo los niños) con su capacidad física, psíquica o sensorial reducida, o con falta de experiencia o sabiduría, a menos que sean supervisadas o hayan recibido instrucciones acerca del uso del aparato por una persona responsable de su seguridad.
- Se debe asegurar la supervisión de los niños para evitar que usen el aparato como juguete.
- La potencia eléctrica máxima de este producto fue obtenida con los ganchos de masa. Otros accesorios recomendados podrían extraer considerablemente menos cantidad de potencia o electricidad.

CONSERVE ESTAS INSTRUCCIONES.

Este aparato eléctrico es para uso doméstico solamente.

ENCHUFE POLARIZADO

Este aparato cuenta con un enchufe polarizado (un contacto es más ancho que el otro). A fin de reducir el riesgo de un choque eléctrico, este enchufe encaja en un tomacorriente polarizado en un solo sentido. Si el enchufe no entra en el tomacorriente, inviértalo y si aun así no encaja, consulte con un electricista. Por favor no trate de alterar esta medida de seguridad.

TORNILLO DE SEGURIDAD

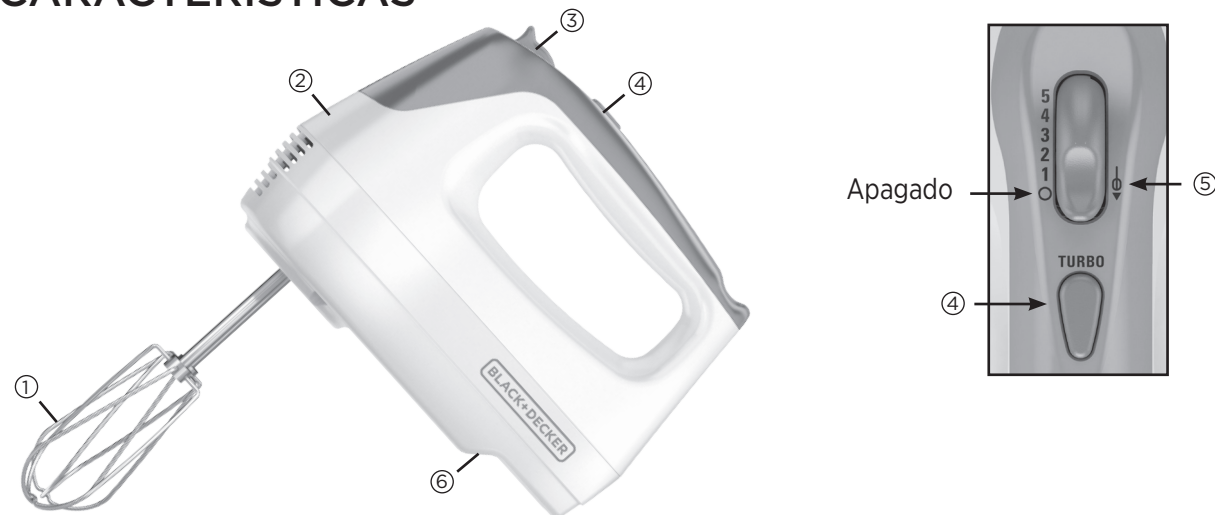
Advertencia: Este aparato cuenta con un tornillo de seguridad para evitar la remoción de la cubierta exterior del mismo. A fin de reducir el riesgo de incendio o de choque eléctrico, por favor no trate de remover la cubierta exterior. Este producto no contiene piezas reparables por el consumidor. Toda reparación se debe llevar a cabo únicamente por personal de servicio autorizado

CABLE ELÉCTRICO

- 1) Un cable de alimentación corto es provisto para reducir los riesgos de enredarse o tropezar con un cable más largo.
- 2) Existen cables de extensión disponibles y estos pueden ser utilizados si se toma el cuidado debido en su uso.
- 3) Si se utiliza un cable de extensión:
 - a) La clasificación eléctrica marcada del cable de extensión debe ser, como mínimo, igual a la clasificación eléctrica del aparato; y
 - b) El cable debe ser acomodado de manera que no cuelgue del mostrador o de la mesa para evitar que un niño tire del mismo o que alguien se tropiece sin darse cuenta.

Nota: Si el cable de alimentación está dañado, por favor llame al número del departamento de garantía que aparece en estas instrucciones.

PIEZAS Y CARACTERÍSTICAS



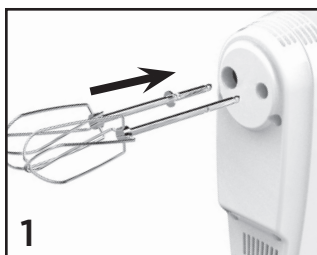
1. Batidores de alambre (pieza no. MX1500W-01)
2. Cuerpo de la batidora
3. Rueda de velocidad
4. Botón de impulso Turbo
5. Función de expulsión fácil
6. Descanso para talón y recipient

Este producto puede variar ligeramente del que aparece ilustrado.

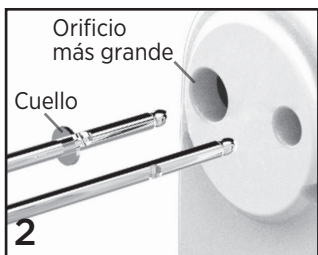
PRIMEROS PASOS

- Retire todo material de empaque, etiquetas y la tira plástica alrededor del enchufe.
- Retire y conserve la literatura.
- Por favor, visite www.prodprotect.com/applca para registrar su garantía.
- Lave todas las piezas removibles.

CÓMO USAR



Con la batidora desenchufada del tomacorriente, inserte los batidores.



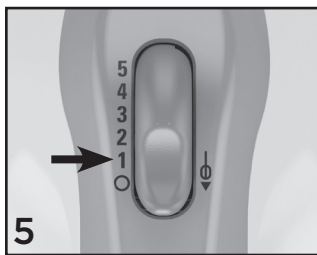
NOTA: Para insertar los batidores, coloque el que tiene el anillo dentro del orificio más grande.



Una vez que los batidores estén insertados firmemente, enchufe la batidora a un tomacorriente.



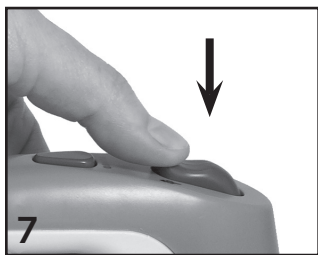
Para el menor desorden al mezclar: Antes de encender la batidora, inserte los batidores en el centro de los alimentos a un ángulo de 90 grados.



NOTA: Comience las tareas de mezclado en la velocidad no. 1, luego aumente la velocidad según sea necesario.



CONSEJO: Para raspar el recipiente con una espátula, primero apague la batidora y luego coloque la batidora en el descanso para el talón.



Cuando haya terminado, gire la rueda de velocidad a la posición O (apagado) y desenchufe la batidora. Luego presione el botón de rueda hacia abajo para expulsar los batidores.

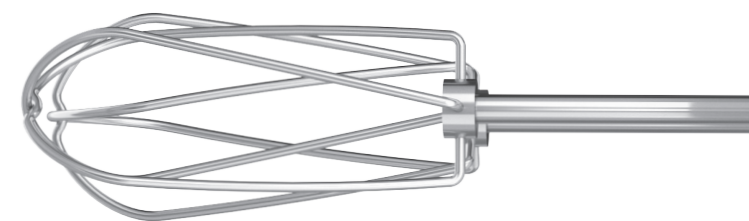


QUÉ VELOCIDAD DEBE UTILIZAR

1 (Baja)	2 (Baja/Media)	3 (Media)	4 (Media/Alta)	5 (Alta)	TURBO (impulsos de velocidad alta)
Revolver	Combinar	Mezclar	Incorporar	Batir/Agitar	
Para combinar ingredientes secos y mojados. Añadir a mezclas: nueces, frutas secas, chispas de chocolate.	Para preparar pudines; mezclar masas o mezclas finas.	Para hacer crema de mantequilla y azúcar, mezclar mezclas para tortas y glaseados.	Para batir huevos enteros o postres congelados; mezclar mezclas ligeras, tal como para panecillos ligeros (popovers).	Para batir agitadamente crema y claras de huevos; hacer puré de papas.	Utilice a cualquier velocidad para obtener la potencia máxima para tareas de mezclado más difíciles.

CÓMO LIMPIAR

Limpie el cuerpo de la batidora con un paño húmedo y seque completamente con un paño seco. Lave los accesorios a mano en agua caliente, jabonosa o en la máquina lavaplatos.



¿NECESITA AYUDA?

Garantía limitada de dos años (Solamente aplica en los Estados Unidos y el Canadá).

- Para servicio, reparaciones o cualquier pregunta sobre su electrodoméstico, por favor llame a nuestra Línea de Servicio al Cliente al 1-800-231-9786. Por favor, NO devuelva el producto al lugar donde lo compró. Además, por favor NO envíe el producto por correos al fabricante ni lo lleve a un centro de servicio. También puede consultar el sitio web que aparece en la portada de este manual.

¿Qué cubre mi garantía?

- Su garantía cubre cualquier defecto de material o de mano de obra, siempre y cuando la responsabilidad de Spectrum Brands, Inc. no exceda el precio de compra del producto.

¿Por cuánto tiempo es válida la garantía?

- Su garantía se extiende por dos años a partir de la fecha original de compra mientras que tenga una prueba de la compra.

¿Qué tipo de asistencia provee mi garantía?

- Su garantía le brinda un producto de reemplazo similar que sea nuevo o que ha sido restaurado de fábrica.

¿Cómo se puede obtener asistencia?

- Conserve el recibo original de compra.
- Para servicio al cliente y para registrar su garantía, visite www.prodprotect.com/applca, o llame al número 1-800-231-9786, para servicio al cliente
- Por favor llame al número del centro de servicio autorizado. 1-800-738-0245.

¿Qué no cubre mi garantía?

- Los productos que han sido utilizados en condiciones distintas a las normales.
- Los daños ocasionados por el mal uso, el abuso o negligencia.
- Los productos que han sido alterados de alguna manera.
- Los daños ocasionados por el uso comercial del producto.
- Los productos utilizados o reparados fuera del país original de compra.
- Las piezas de vidrio y demás accesorios empacados con el aparato.
- Los gastos de tramitación y embarque asociados al reemplazo del producto.
- Los daños y perjuicios indirectos o incidentales.

¿Cómo afecta a mi garantía la ley estatal?

- Esta garantía le otorga derechos legales específicos y el consumidor podría tener otros derechos que varían de una región a otra.

PÓLIZA DE GARANTÍA

(Válida sólo para México)

Duración

- Spectrum Brands de México, SA de CV garantiza este producto por 2 años a partir de la fecha original de compra.
- ¿Qué cubre esta garantía?
- Esta Garantía cubre cualquier defecto que presenten las piezas, componentes y la mano de obra contenidas en este producto.
- Requisitos para hacer válida la garantía
- Para reclamar su Garantía deberá presentar al Centro de Servicio Autorizado la póliza sellada por el establecimiento en donde adquirió el producto. Si no la tiene, podrá presentar el comprobante de compra original.

¿Dónde hago válida la garantía?

- Llame sin costo al teléfono 01 800 714 2503, para ubicar el Centro de Servicio Autorizado más cercano a su domicilio en donde usted podrá encontrar partes, componentes, consumibles y accesorios.

Procedimiento para hacer válida la garantía

- Acuda al Centro de Servicio Autorizado con el producto con la póliza de Garantía sellada o el comprobante de compra original, ahí se reemplazará cualquier pieza o componente defectuoso sin cargo alguno para el usuario final. Esta Garantía incluye los gastos de transportación que se deriven de su cumplimiento.

Excepciones

- Esta Garantía no será válida cuando el producto:
- A) Se hubiese utilizado en condiciones distintas a las normales.
 - B) No hubiese sido operado de acuerdo con el instructivo de uso que le acompaña.
 - C) Cuando el producto hubiese sido alterado o reparado por personas no autorizadas por Spectrum Brands de México, SA de CV.
- Nota:** Usted podrá encontrar partes, componentes, consumibles y accesorios en los centros de servicios autorizados. Esta garantía incluye los gastos de transportación que se deriven de sus cumplimiento dentro de sus red de servicio.

¿NECESITA AYUDA?

DOS AÑOS DE GARANTÍA LIMITADA (No aplica en México, Estados Unidos y Canada)

Para servicio, reparaciones o preguntas relacionadas al producto, por favor llame al número del centro de servicio que se indica para el país donde usted compró su producto. NO devuelva el producto al fabricante. Llame o lleve el producto a un centro de servicio autorizado.

¿Qué cubre la garantía?

- La garantía cubre cualquier defecto de materiales o de mano de obra que no haya sido generado por el uso incorrecto del producto.

¿Por cuánto tiempo es válida la garantía?

- Por dos años a partir de la fecha original de compra mientras que tenga una prueba de la compra.

¿Cómo se obtiene el servicio necesario?

- Conserve el recibo original como comprobante de la fecha de compra, comuníquese con el centro de servicio de su país y haga efectiva su garantía si cumple lo indicado en el manual de instrucciones.

¿Cómo se puede obtener servicio?

- Conserve el recibo original de compra.
- Por favor llame al número del centro de servicio autorizado.

¿Qué aspectos no cubre esta garantía?

- Los productos que han sido utilizados en condiciones distintas a las normales.
- Los daños ocasionados por el mal uso, el abuso o negligencia.
- Los productos que han sido alterados de alguna manera.
- Los daños ocasionados por el uso comercial del producto.
- Los productos utilizados o reparados fuera del país original de compra.
- Las piezas de vidrio y demás accesorios empacados con el aparato.
- Los gastos de tramitación y embarque asociados al reemplazo del producto.
- Los daños y perjuicios indirectos o incidentales.

¿Qué relación tiene la ley estatal con esta garantía?

- Esta garantía le otorga derechos legales específicos y el consumidor podría tener otros derechos que varían de una región a otra.

Por favor llame al número correspondiente que aparece en la lista a continuación para solicitar que se haga efectiva la garantía y donde Ud. puede solicitar servicio, reparaciones o partes en el país donde el producto fué comprado.

Argentina Atención al consumidor 0800 444 7296 Horario de atención: Lunes a viernes de 9 a 13 hs y de 14.30 a 17 hs. email: servicios@rayovac.com.ar Humboldt 2495 piso 3 C.A.B.A. - Argentina	Costa Rica Aplicaciones Electromecánicas Calle 22 y 24 en Avenida 3 BLV de la torre Mercedes Benz 200 mts norte y 50 mts este San José, Costa Rica Tel. (506) 2257-5716	Honduras Serviteca San Pedro Sula, B Los Andes, 2 calle-entre 11-12 Avenida Honduras Tel. (504) 2550-1074	Perú Servicio Central Fast Service Av. Angamos Este 2431 San Borja, Lima Perú Tel. (51) 2251 388
Chile SERVICIO DE MAQUINAS Y HERRAMIENTAS LTDA. Portugal N° 644 Santiago - Chile Fonos: 02-6355208 / 02-6341169 Email: servicio@spectrumbrands.cl Call center: 800-171-051	Ecuador Servicio Master Dirección: Capitán Rafael Ramos OE 1-85 y Galo plaza lasso. Tel (593) 2281-3882 / 2240-9870	México Artículo 123 # 95 Local 109 y 112 Col. Centro, Cuahtemoc, México, D.F. Tel. 01 800 714 2503	Puerto Rico Buckeye Service Jesús P. Piñero #1013 Puerto Nuevo, SJ PR 00920 Tel.: (787) 782-6175
Colombia Rayovac Varta S.A Carrera 17 Número 89-40 Línea gratuita nacional 018000510012	El Salvador Sedeblack Calle San Antonio Abad, Colonia Lisboa No 2936 San Salvador, Depto. de San Salvador Tel. (503) 2284-8374	Nicaragua LRM ELECTRONICA Managua - Sinsa Altamira 1.5 kilómetros al norte Nicaragua Tel. (505) 2270-2684	Republica Dominicana Prolongación Av. Rómulo Betancourt Zona Industrial de Herrera Santo Domingo, República Dominicana Tel.: (809) 530-5409
	Guatemala Kinal 17 avenida 26-75, zona 11 Centro comercial Novicentro, Local 37 - Ciudad Guatemala Tel. (502)-2476-7367	Panamá Supermarcas Centro comercial El dorado, Plaza Dorado, Local 2. Panamá Tel. (507) 392-6231	Venezuela Inversiones BDR CA Av. Casanova C.C. City Market Nivel Plaza Local 153 Diagonal Hotel Melia, Caracas. Tel. (582) 324-0969