

FLUANCE®

RT80/RT81 - High Fidelity Vinyl Turntable User Manual v2.1

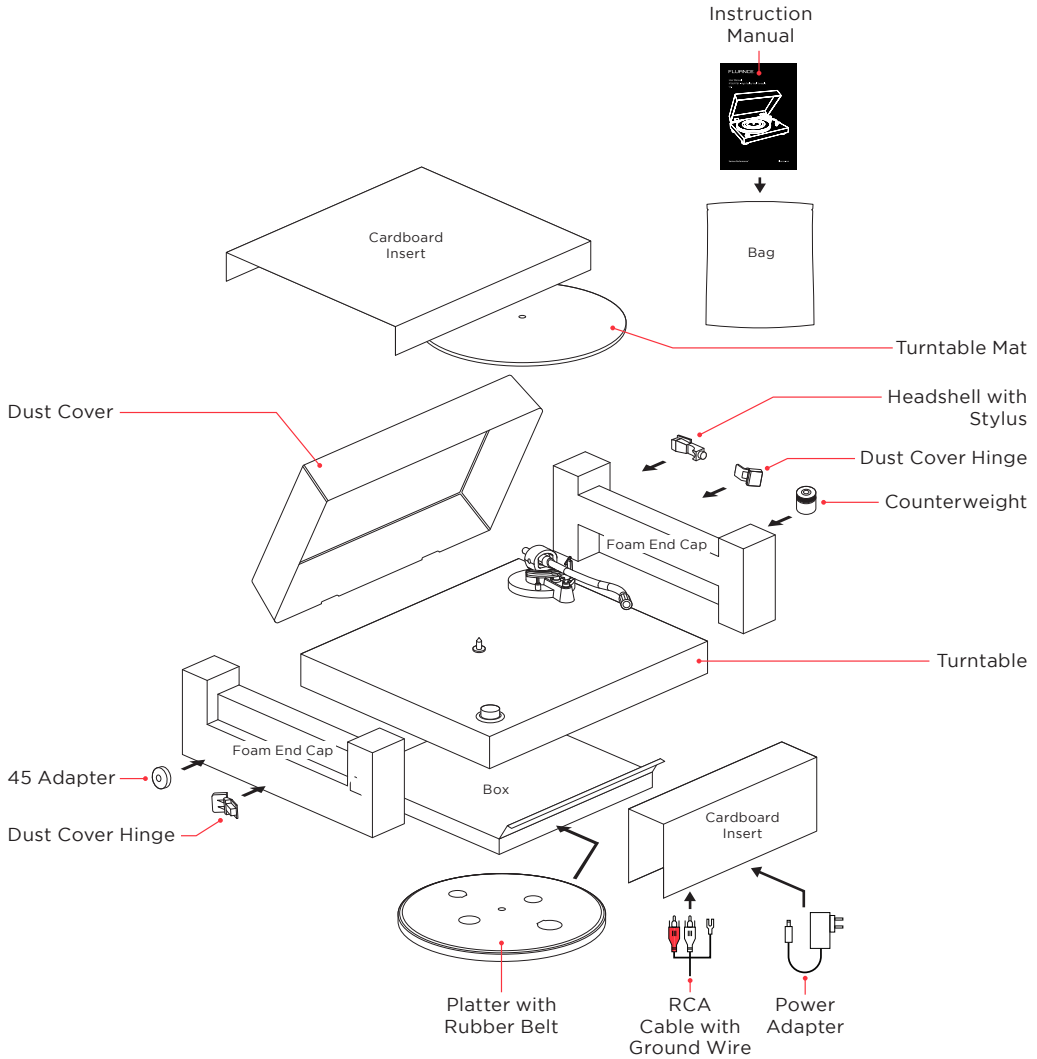


Serious Performance™

Fluance.com

Introduction

Fluance believes everyone should experience audio in its truest form, recreating the performance the way the artist intended. Utilizing only superior components and expert audio engineering, their products are a testament to the performance that can be achieved when a passion for music takes center stage. The perfect complement to any audiophile's lifestyle, you'll be enjoying live performances in your home for years to come.



Thank you for your purchase of this Fluance® product.
We hope you enjoy your experience.

Questions?

Give us a chance to help, we're just a click away.



Fluance.com/resources



Fluance.com/support



Fluance.com/contact

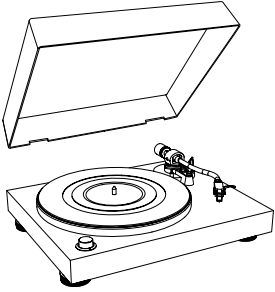
Don't forget to register your product with us!

Fluance.com/registration/

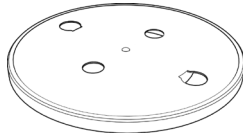
Table of Contents

| | |
|--|----|
| What's Included | 4 |
| Components and Connections | 5 |
| First Time Setup | 6 |
| Step One: Installing the Platter | 6 |
| Step Two: Installing the Counterweight | 7 |
| Step Three: Installing the Headshell | 7 |
| Step Four: Balancing the Tonearm | 8 |
| Step Five: Setting the Preamp Switch | 9 |
| Step Six: Connecting the Power | 10 |
| Step Seven: Connecting the RCA Cable | 10 |
| Step Eight: Dust Cover Installation | 11 |
| Playing a Record | 12 |
| Auto Stop Function | 12 |
| Maintenance | 13 |
| Cleaning the Turntable | 13 |
| Replacing the Stylus | 13 |
| Replacing the Cartridge | 13 |
| Cartridge Connections | 13 |
| Replacing the Rubber Belt | 14 |
| Record Care | 14 |
| Stylus Care | 14 |
| Troubleshooting | 15 |
| Specifications | 17 |
| Warranty | 19 |
| Important Safety Instructions | 20 |
| FCC & IC Information | 21 |
| Cartridge Alignment Protractor Cutout | 23 |

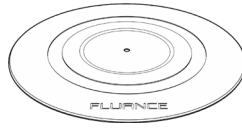
What's Included



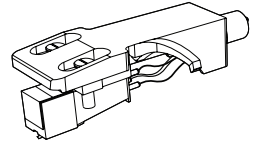
Dust Cover & Turntable



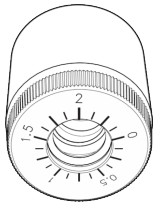
Platter with Rubber Belt



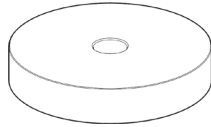
Turntable Mat



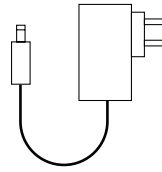
Headshell with Stylus



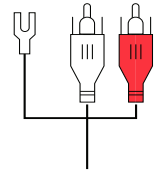
Counterweight



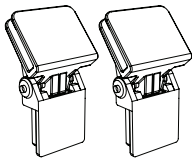
45 Adapter



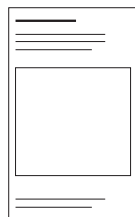
Power Adapter



RCA Audio Cable with Ground



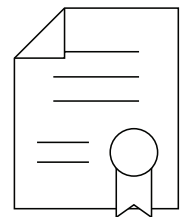
Dust Cover Hinges



User Manual

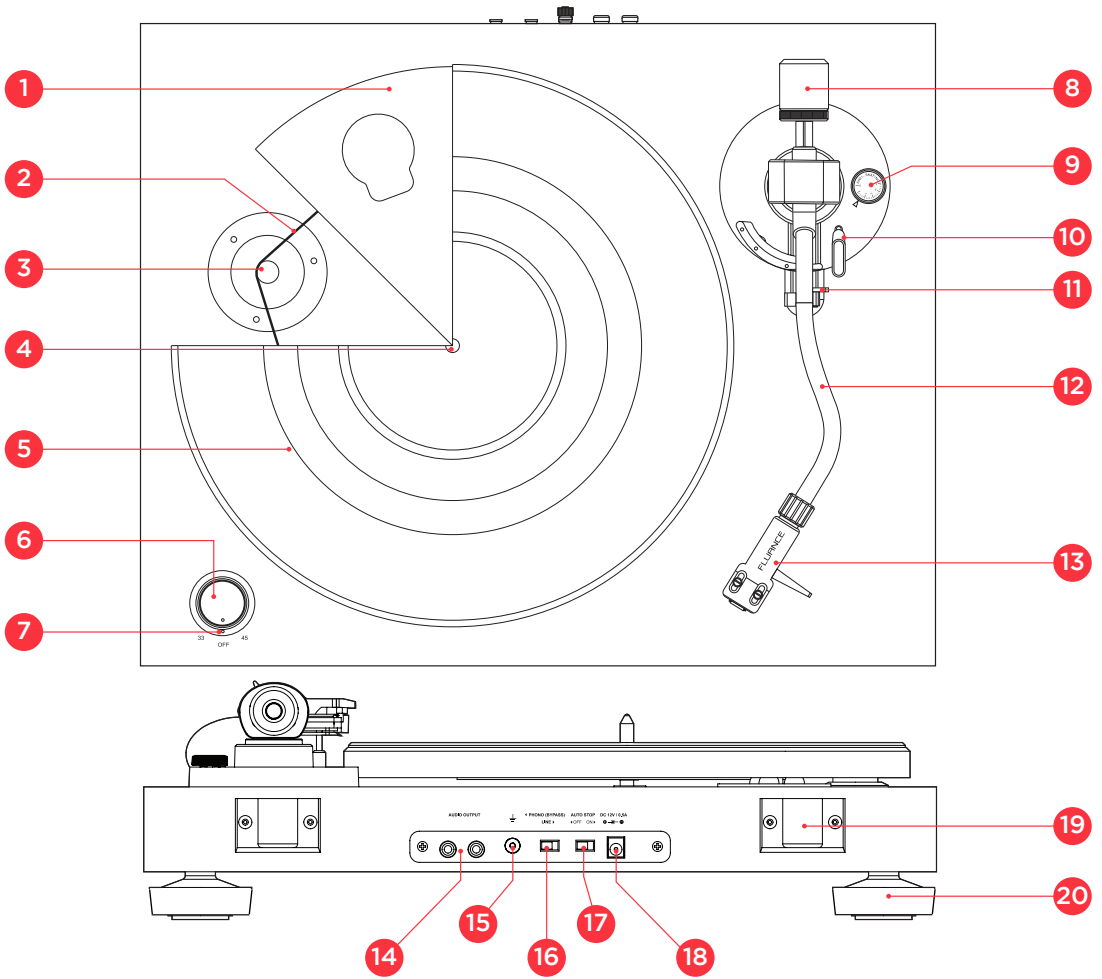


Lifetime Customer Support



2 Year Warranty

Components and Connections

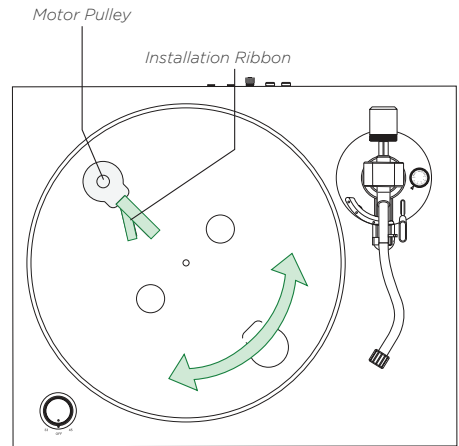
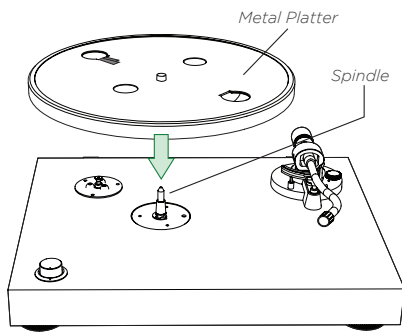


- | | |
|-------------------------|------------------------|
| 1. Platter | 11. Tonearm Lock |
| 2. Rubber Belt | 12. Tonearm |
| 3. Motor Pulley | 13. Headshell & Stylus |
| 4. Spindle | 14. RCA Audio Outputs |
| 5. Turntable Mat | 15. Ground Terminal |
| 6. Speed Selection | 16. Preamp Switch |
| 7. Power LED | 17. Auto Stop Switch |
| 8. Counterweight | 18. Power Input |
| 9. Anti-Skating Control | 19. Hinge |
| 10. Cueing Lever | 20. Isolation Feet |

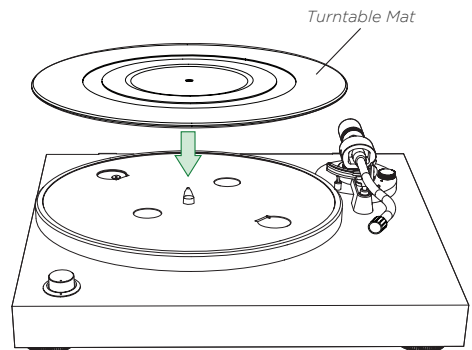
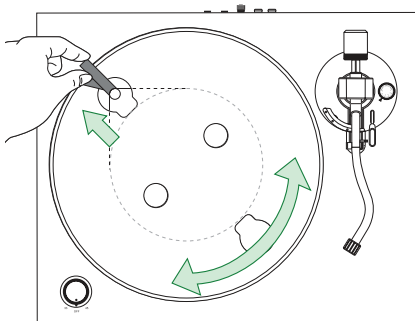
First Time Setup

Step One: Installing the Platter

1. Remove the protective packaging and ensure the turntable is placed on a sturdy and level surface. Place the metal platter onto the spindle located in the middle of the turntable.
2. Rotate the platter until the rubber belt installation ribbon aligns with the motor pulley. Remove the tape from the installation ribbon.

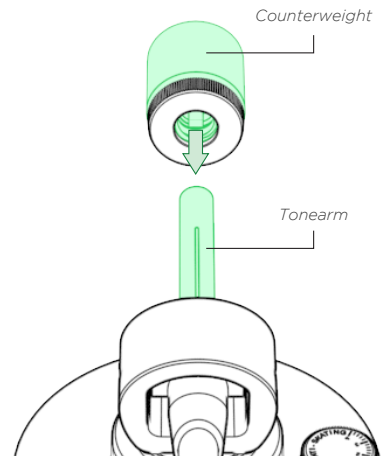
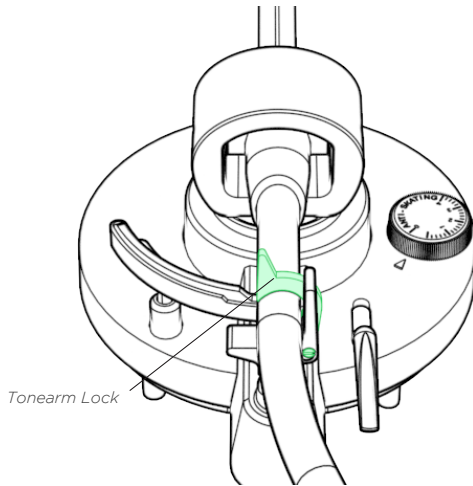


3. Use the installation ribbon to lift the rubber belt and place it around the motor pulley. Remove the installation ribbon and rotate the platter several times to ensure the rubber belt is secure and not twisted.
 4. Place the turntable mat on top of the platter.
- Note:** When using the Fluance rubber turntable mat ensure the Fluance logo is facing up when placing the mat.



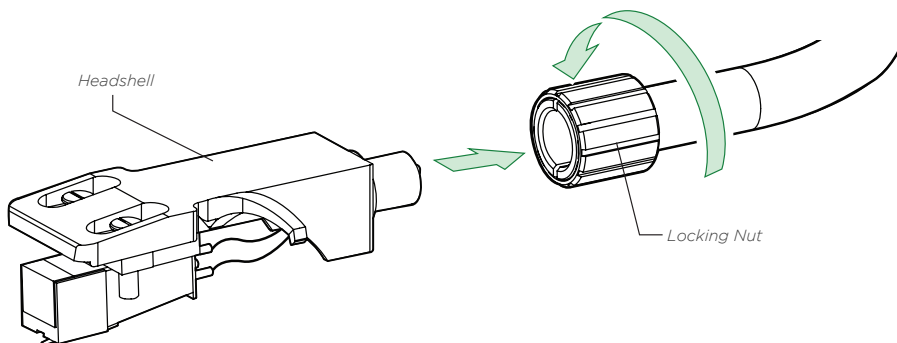
Step Two: Installing the Counterweight

1. Secure the tonearm using the tonearm lock.
2. Slide the counterweight onto the end of the tonearm with numbers facing forward until it clicks on.



Step Three: Installing the Headshell

1. Remove the headshell from the protective packaging and insert into the end of the tonearm.
2. Tighten the locking nut until the headshell is secure.

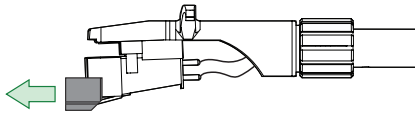


Step Four: Balancing the Tonearm

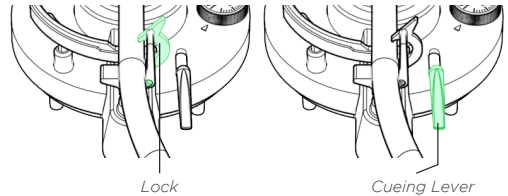
Important!

Complete all steps for balancing the tonearm. Incorrect tonearm balancing can cause damage to the stylus and to your records. For additional assistance go to: www.fluance.com/support to watch a tutorial video for this process

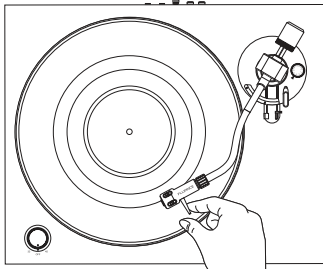
1. Remove the stylus protector.



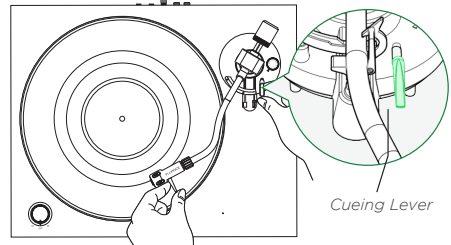
2. Unlock the tone arm and lift the cueing lever.



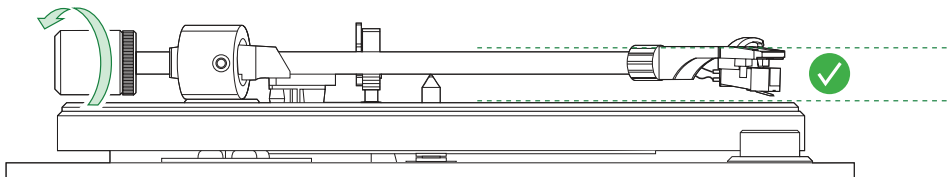
3. Position the tonearm over the platter.



4. Hold the headshell and lower the cueing lever completely. Protect the stylus from touching the platter.

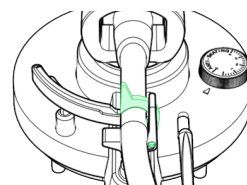
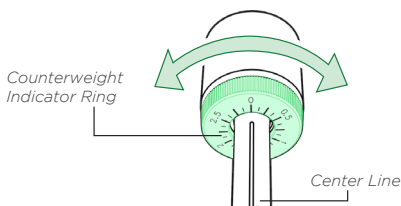


5. With the cueing lever now lowered, turn the *entire* counterweight until the tonearm is balanced and floating horizontally when headshell is released.



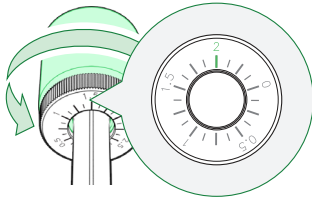
Tip: When balancing the tonearm make sure the cueing lever is down and the anti-skating control is set to 0.

6. Set only the counterweight indicator ring to “0” on the center line while keeping the tonearm balanced then lock the tonearm on the tonearm rest.

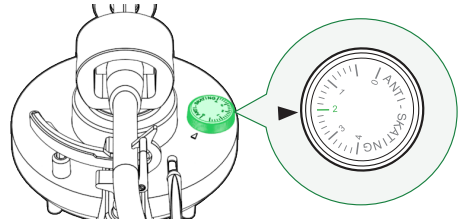


Step Four (Continued): Balancing the Tonearm

7. Rotate the entire counterweight counterclockwise until the indicator ring is set to “2” on the center line. This will set the tracking force to the recommended 2.0 gram tracking force of the included stylus.



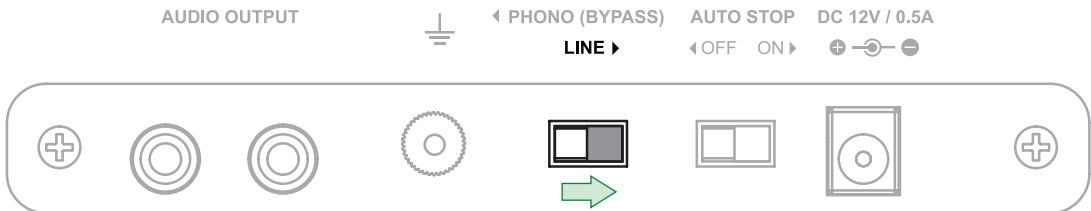
8. Set the anti-skating control to “2” to match the tracking force.



Tip: When setting the counterweight make sure you are turning the entire weight and not just the counterweight indicator ring.

Step Five: Setting the Preamp Switch

This turntable includes a built-in preamp. To enable the internal preamp set the switch on the back of the unit to the LINE position.

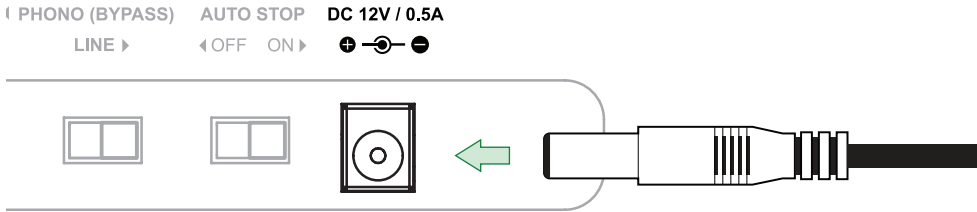


Optional:

If you wish to use an external preamp you can disable the internal preamp by moving the switch to the PHONO position. All electronics are bypassed when the internal preamp is disabled.

Step Six: Connecting the Power

Ensure the power adapter is securely connected to a power outlet. Insert the power cable into the power input on the back of the turntable.

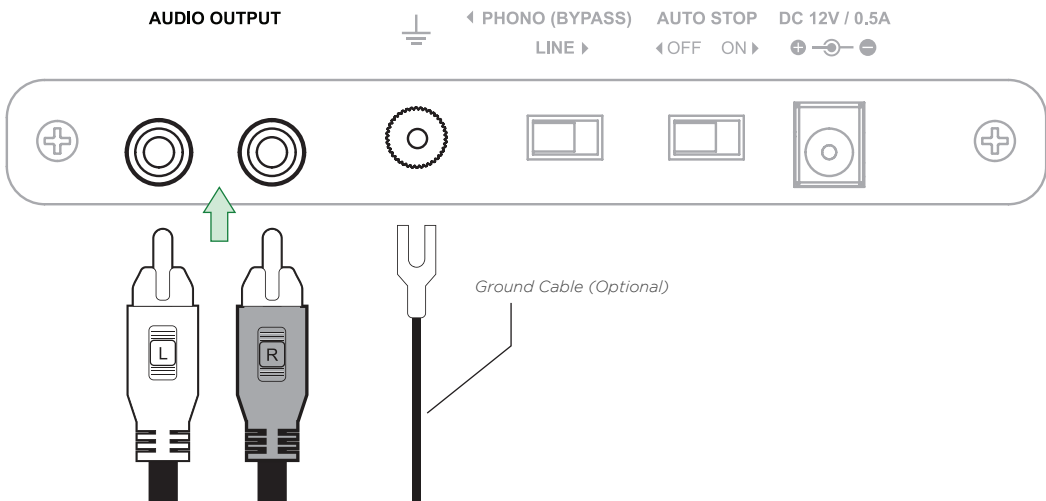


Step Seven: Connecting the RCA Cable

The included RCA cable has a ground cable attached. When using the internal preamp the ground cable is not required. Connect the RCA cables to the audio outputs on the back of the turntable and then plug the other end into your stereo.

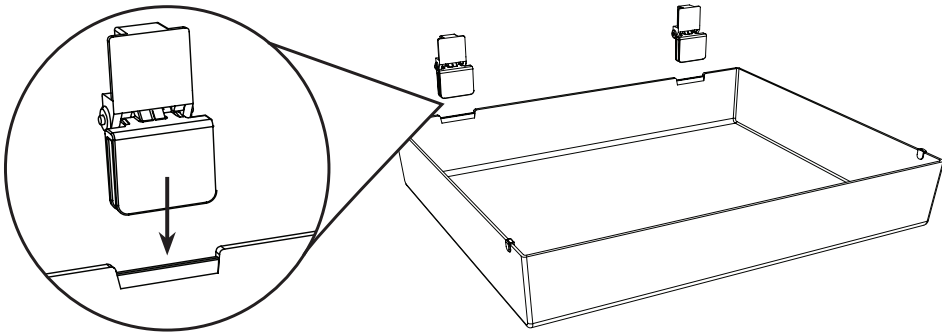
Optional:

When using an external preamp the ground cable should be connected to the ground terminal on the back of the turntable and also connected to the external preamp. Connect the RCA cables to the audio outputs on the back of the turntable and then plug the other end into your preamp.

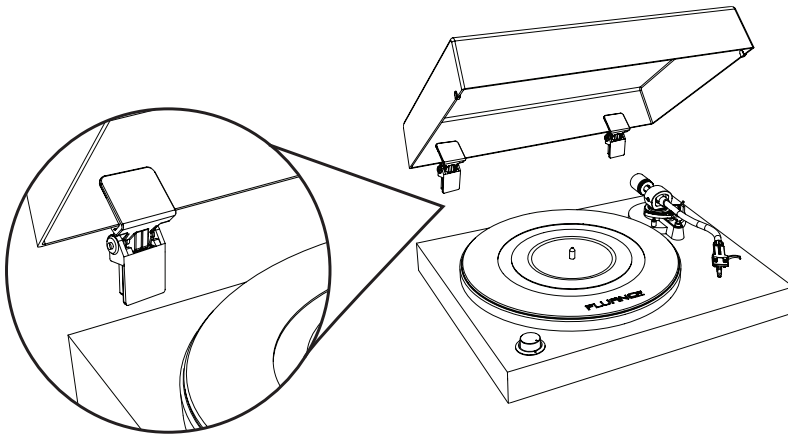


Step Eight: Dust Cover Installation

1. Install the hinges on the provided grooves located on the back of the dust cover.
Important: Place dust cover on a soft surface to avoid scratching it.
CAUTION: The hinges are spring loaded and can close with strong force. Use caution when installing.



2. Carefully open the hinges on the dust cover and insert into the hinge mounts installed on the back of the turntable.



The turntable setup is now complete! Enjoy your Fluance turntable. Should you require any further assistance please contact us at: www.fluance.com/support

Playing a Record

Tip: For best audio performance the dust cover should be removed during playback.

1. Lift the dust cover
2. Place a record on the spindle (use the 45 Adapter if necessary)
3. Turn the speed selection knob to the correct RPM typically listed on your record (Normal LP playback speed is 33 RPM)
4. Unlock the tonearm lock
5. Lift the cueing lever
6. Move the tonearm to the desired starting point
7. Lower the cueing lever

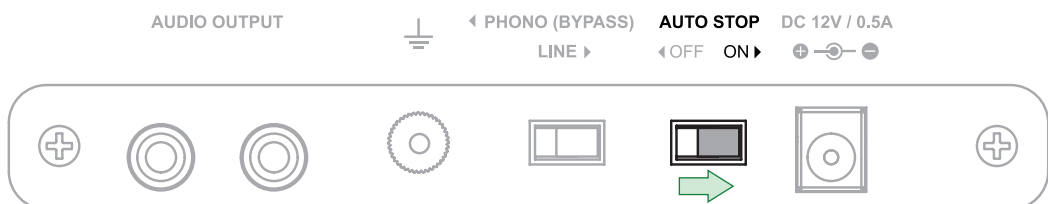
Fluance recommends burning in your record player for 24 hours. To do this turn off Auto Stop on the back of your record player and then select either the 33 or 45 speed setting. Your platter should begin spinning and start the burn-in process.

Note: When the turntable is not in use the speed selection knob should be set to OFF to turn the turntable completely off.

Auto Stop Function

The auto stop function is designed to save the life of your stylus. At the end of a record the platter will automatically stop spinning if auto stop is enabled. This feature will also require that the tonearm is moved over the record before the platter will start spinning at the selected speed.

If the auto stop switch is set to the OFF position the platter will begin spinning as soon as the speed selection knob is set to 33 or 45. To stop the record from spinning set the speed selection knob to the OFF position.



Note: The Auto Stop function will take approximately 30 seconds at the end of the record before the turntable stops spinning. Due to variances in vinyl record production some records may not work correctly with the Auto Stop function.

Maintenance

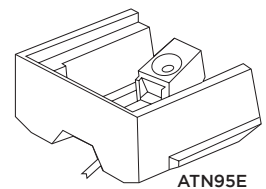
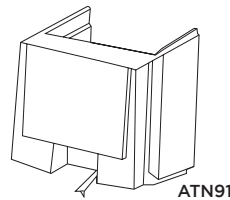
Cleaning the Turntable

1. Use a soft dry microfiber cloth to wipe dust from the turntable surface.
2. Keep the dust cover closed to ensure the turntable components remain dust free.

Replacing the Stylus

Use the chart below to ensure you replace your stylus with the correct model. Replacement stylus and instructions are available at www.fluance.com

| Model | Stylus |
|-------|--------|
| RT80 | ATN91 |
| RT81 | ATN95E |



Replacing the Cartridge

Replacement cartridges and a helpful cartridge installation guide and video are available on www.fluance.com. There is also a Cartridge Alignment Protractor at the end of this manual for convenience.

Cartridge Connections

| Wire | Channel |
|-------|-----------|
| White | Left (+) |
| Blue | Left (-) |
| Red | Right (+) |
| Green | Right (-) |

Replacing the Rubber Belt

1. Remove the defective rubber belt from the motor pulley.
2. Lift and remove the platter from the spindle. Remove and discard the defective rubber belt.
3. Wrap the new rubber belt around the inner ring on the underside of the platter and ensure the rubber belt is not twisted.
4. Place the platter on the spindle and turn it until the motor pulley is visible.
5. Lift the rubber belt and place it over the motor pulley.
6. Rotate the turntable several times to ensure the rubber belt is secure and not twisted.

Note: See images in Step One of the First Time Setup instructions.

Record Care

1. Records should be stored vertically in a dry environment away from sources of heat.
2. An anti-static brush can be used to remove dirt from the record's grooved surface. Use a record cleaning solution to further clean your records to ensure crystal clear playback.
3. It is important to use the cueing lever when lifting or lowering the tonearm to prevent accidental slipping and scratching.

Stylus Care

1. When the turntable is not in use always use the provided stylus protector to prevent accidental damage.
2. A stylus cleaning brush can be used to remove dust and debris from the stylus.
3. Enabling the auto stop function will reduce wear and tear on the stylus.

Troubleshooting

Turntable Not Spinning

- The turntable should be connected to a known good power outlet and the power cable should be securely inserted into the unit.
- Remove the turntable mat and rotate the platter until the motor pulley is visible. Ensure the rubber belt is intact and hooked around the motor pulley.
- Turn the speed selection knob to 33 or 45 (power led should light up). Lift the tonearm over the platter and it should start spinning.

No Power

- The turntable should be connected to a known good power outlet and the power cable should be securely inserted into the unit.
- The power LED should light up when the speed selection knob is set to 33 or 45.

Wrong Speed

1. Check the record label for the correct playback speed and that the speed selection knob is set to match it. Normal LP playback speed is 33 1/3 rpm.
2. Ensure the turntable 24 hour burn-in process has been completed.
3. If incorrect speed persists a speed adjustment video is available at: www.fluance.com/resources

Skipping

- Ensure the record surface is clear of dirt and debris. Also check that the record is not warped or deformed.
- Inspect the stylus for built up dirt or debris. Use a stylus cleaning brush to clean if necessary.
- Ensure the turntable is on a sturdy and level surface.
- Use instructions in step four of the first time setup instructions to confirm the tonearm was balanced correctly and set to the correct tracking force of 2.0 Grams.
- Check that the anti-skating control is set to 2.

Audio Feedback

- If audio feedback occurs ensure the speakers are positioned away from the turntable. The turntable should not be placed in front of the speakers.
- For best audio performance the dust cover should be removed during playback.

Cueing Lever Not Lowering Tonearm

- Use instructions in step four of the first time setup instructions to confirm the tonearm was balanced and set to the correct tracking force of 2 Grams.
- Lock the tonearm and lower the cueing lever. Gently press down on the tonearm bridge until fully lowered to reset the tonearm lowering mechanism.

Low Volume

- Check the RCA connections are correct and fully inserted.
- Ensure that the Preamp Switch is set to the LINE position if not using an external preamp.
- If low volume persists more information is available at: www.fluance.com/support

Need Additional Help?

- Do not return this product to the store.
- Please contact a Fluance Customer Support Representative first, regarding any additional information on product features, specifications or assistance with setup.
- Online web chat or Support: www.fluance.com/support

Specifications

| Specifications | RT80 | RT81 |
|------------------------------------|--|--|
| Cabinet Specifications | | |
| Material | MDF | MDF |
| Finish | Painted High Gloss (Black) | High Gloss Walnut |
| Dust Cover | Yes - Tinted | Yes - Tinted |
| Turntable Specifications | | |
| Drive System | Belt Drive | Belt Drive |
| Motor | DC Motor | DC Motor |
| Speed | 33 1/3 RPM, 45 RPM | 33 1/3 RPM, 45 RPM |
| Wow and Flutter | 0.2% | 0.2% |
| Speed Variation | +/-1.00% | +/-1.00% |
| Signal-to-Noise Ratio (Weighted) | 67dB or higher (A-weighted, 20kHz LPF) | 67dB or higher (A-weighted, 20kHz LPF) |
| Signal-to-Noise Ratio (Unweighted) | 60dB or higher (unweighted, 20kHz LPF) | 60dB or higher (unweighted, 20kHz LPF) |
| Platter | Aluminum | Aluminum |
| Diameter of Platter | 12", 30cm | 12", 30cm |
| Auto-Stop | Yes | Yes |
| Turntable Mat | Felt | Rubber |
| Tonearm Specifications | | |
| Type | Static Balanced, S-Type | Static Balanced, S-Type |
| Supported Cartridge Weight | 3.5 to 6.5g | 3.5 to 6.5g |
| Anti-skating Adjustment | Yes | Yes |
| Pivot Bearing | Yes | Yes |
| Material | Aluminum | Aluminum |
| Effective Tonearm Mass | 28.2 grams | 28.2 grams |
| Overhang | 19.2mm | 19.2mm |
| Effective Tonearm Length | 224mm | 224mm |
| Headshell Mount | H-4 Bayonet Mount | H-4 Bayonet Mount |
| Tonearm Height | 17mm | 17mm |
| Tonearm Wire | 4 x 33 AWG Litz Cable | 4 x 33 AWG Litz Cable |
| Cartridge Specifications | | |
| Type | Moving Magnet (MM) | Moving Magnet (MM) |
| Cartridge Model | Audio Technica: AT91 | Audio Technica: AT95E |
| Replacement Stylus | ATN91 | ATN95E |
| Stylus | 0.6mil Bonded Conical (Diamond) | 0.4x0.7mil Bonded Elliptical (Diamond) |
| Cantilever | Carbon Fiber | Aluminum |
| Mount | Half inch | Half inch |
| Frequency Response | 20-20,000Hz | 20-20,000Hz |

| Specifications | RT80 | RT81 |
|-----------------------------------|-------------------------------|-------------------------------|
| Channel Separation | 18dB at 1kHz | 20dB at 1kHz |
| Channel Balance | 2.5dB or less at 1kHz | 2.0dB or less at 1kHz |
| Load Impedance/Capacitance | 47k Ohms/100pF | 47k Ohms/100pF |
| Output Voltage | 2.5mV +/-3dB | 2.5mV (+/-3dB) |
| Weight | 5.0g (+/- 0.5g) | 5.7g (+/- 0.5g) |
| Headshell Weight | 10.7g | 10.7g |
| Recommended Tracking Force | 2.0g (+/-0.5g) | 2.0g (+/-0.5g) |
| Vertical Tracking Angle | 20 degrees | 20 degrees |
| Rubber Belt Specifications | | |
| Thickness | 0.6mm | 0.6mm |
| Width | 4.5mm | 4.5mm |
| Length | 534.07mm | 534.07mm |
| Output Specifications | | |
| Connector | RCA (Gold-plated) | RCA (Gold-plated) |
| Preamp | Yes, PHONO/LINE Switchable | Yes, PHONO/LINE Switchable |
| Phono Output | 2.5mV +/-3dB | 2.5mV +/-3dB |
| Line Output | 140mV (-17dBV) | 140mV (-17dBV) |
| Ground Terminal | Yes | Yes |
| Power Specifications | | |
| Input | 100V-240V AC (50/60Hz) | 100V - 240V AC (50/60Hz) |
| Output | 12V / 500mA | 12V / 500mA |
| Consumption | 1.5W | 1.5W |
| General Specifications | | |
| Unit Dimensions (W x H x D) | 16.5" x 5.5" x 13.75" | 16.5" x 5.5" x 13.75" |
| Unit Weight | 4.5 kg (9.9 lb) | 6.4 kg (14.1 lb) |
| Optimal Operating Temperature | 20°C | 20°C |

Warranty

Fluance gives the following warranty to the original customer of each new Fluance product purchased from a dealer authorized by Fluance. Fluance warrants that each new product, under normal use, is free from defects, subject to the terms and conditions set forth. If a defect should occur within the warranty period, repairs will be made free of charge for parts and labor when such defects are determined by us to be attributable to faulty materials or workmanship at time of manufacture.

Warranty Period

The Fluance products listed below are warranted for parts and labor for the stated period from the date of original purchase and are subject to the terms and conditions of the warranty.

- Home Audio Passive Speakers: Lifetime Warranty
- Active/Powered Speakers: 2 Year Warranty
- HiFi Turntables: 2 Year Warranty

Warranty Exclusions

- Products purchased from a dealer not authorized by Fluance.
- Products with the serial number defaced, altered or missing.
- Defects resulting from disaster, accident, abuse, misuse, lightning, power surges, neglect, unauthorized modification or water damage.
- Defects or damage as a result of repairs performed by a person or party not authorized by Fluance.
- Defects or damage occurring during shipping (claims should be made with the shipping company).
- Defect or damage as a result of connecting a product to an outlet with the incorrect voltage. Voltage converters must be used where applicable.

To Obtain Warranty Service

Should your Fluance product require warranty service, please contact your Fluance Authorized Dealer and send your product fully insured and freight prepaid to the nearest Fluance authorized service center. Before sending to Fluance, you will be required to get a Return Authorization Number from your dealer.

Products shipped without a valid Return Authorization Number will be refused. To avoid possible shipping damage, make sure the product is properly packaged and well protected. Include a copy of your original bill of sale as proof of warranty along with your name, home and/or work telephone number(s), a complete return address and a detailed description of the faults.

Products repaired within warranty will be returned freight prepaid. This warranty in itself is not considered a valid proof of purchase. When applying for warranty repairs, you must present the original copy of your bill of sale as proof of warranty.

Important Safety Instructions

WARNING:

TO REDUCE THE RISK OF FIRE OR ELECTRIC SHOCK, DO NOT EXPOSE THIS APPARATUS TO RAIN OR MOISTURE

CAUTION:

TO REDUCE THE RISK OF ELECTRIC SHOCK, DO NOT REMOVE COVER (OR BACK). NO USER SERVICEABLE PARTS INSIDE. REFER SERVICING TO QUALIFIED SERVICE PERSONNEL.



WARNING
RISK OF ELECTRIC SHOCK
DO NOT OPEN



The lightning flash with arrowhead symbol within an equilateral triangle is intended to alert the user to the presence of uninsulated dangerous voltage within the product's enclosure that may be of sufficient magnitude to constitute a risk of electric shock to persons.



The exclamation point within an equilateral triangle is intended to alert the user to the presence of important operating and maintenance (servicing) instructions in the literature accompanying the appliance.

To prevent fire or shock hazard, do not use this plug with an extension cord, receptacle or other outlet unless the blades can be fully inserted to prevent blade exposure. To prevent fire or shock hazard, do not expose this appliance to rain or moisture.

1. Read these instructions.
2. Keep these instructions.
3. Heed all warnings.
4. Follow all instructions.
5. Do not use this apparatus near water.
6. Clean only with dry cloth.
7. Do not block any ventilation openings. Install in accordance with the manufacturer's instructions.
8. Do not install near any heat sources such as radiators, heat registers, stoves, or other apparatus (including amplifiers) that produce heat.
9. Do not defeat the safety purpose of the polarized or grounding type plug. A polarized plug has two blades with one wider than the other. A grounding type plug has two blades and a third grounding prong. The wide blade or the third prong is provided for your safety. If the provided plug does not fit into your outlet, consult an electrician for replacement of the obsolete outlet.
10. Protect the power cord from being walked on or pinched particularly at plugs, convenience receptacles, and point where they exit from the apparatus.
11. Only use attachments / accessories specified by the manufacturer.
12. Unplug this apparatus during lightning storms or when unused for long periods of time.
13. Refer all servicing to qualified service personnel. Servicing is required when the apparatus has been damaged in any way, such as power-supply cord or plug is damaged, liquid has been spilled or objects have fallen into the apparatus, the apparatus has been exposed to rain or moisture, does not operate normally, or has been dropped.
14. Water and Moisture – This product should be kept away from direct contact with liquids. The apparatus shall not be exposed to dripping or splashing and that no objects filled with liquids, such as vases, shall be placed on the apparatus.
15. Do not overload wall outlet. Use only power source as indicated.
16. Use replacement parts as specified by the manufacturer.
17. The product may be mounted to a wall only if recommended by the manufacturer.
18. Upon completion of any service or repairs to this product, ask the service technician to perform safety checks.
19. Avoid installing this unit in places exposed to direct sunlight or close to heat radiating appliances such as electric heaters, on top of other stereo equipment that radiates too much heat, places lacking ventilation or dusty areas, places subject to constant vibration and/or humid or moist areas.
20. Do not attempt to clean this unit with chemical solvents as this might damage the finish. Use a clean dry cloth.
21. Operate controls and switches as described in the manual. Before turning on the power, make certain that power cord is properly installed.
22. This symbol means the equipment is a Class II or double-insulated electrical appliance. It has been designed in such a way that it does not require a safety connection to electrical earth.
23. Do not install this equipment in a confined or "boxed-in" space such as a bookcase or similar unit, and maintain good ventilation conditions. The ventilation should not be impeded by covering the ventilation openings with items such as newspaper, tablecloths, curtains, etc.
24. Power Sources - This product should be connected to a power supply only of the type described in these operating instructions, or as marked on the unit.
25. When moving or not using the appliance, secure the power cord (e.g., wrap it with a cable tie). Be careful not to damage the power cord. Before using it again, make sure the power cord has not been damaged. If the power cord has been damaged at all, bring the unit and cord to a qualified service technician for repair or replacement as specified by the manufacturer.
26. Unplug this apparatus during lightning storms or when unused for long periods of time power cord has not been damaged. If the power cord has been damaged at all, bring the unit and cord to a qualified service technician for repair or replacement as specified by the manufacturer. Use caution when wearing loose clothing or articles near the spinning turntable.

FCC & IC Information

WARNING: To reduce the risk of fire or electrical shock, do not expose this appliance to rain or moisture. Electrical equipment should NEVER be kept or stored in damp environments.

This equipment has been tested and found to comply with the limits for a Class B digital device, pursuant to Part 15 of the FCC Rules. This digital apparatus does not exceed the Class B limits for radio noise emissions from digital apparatus as set out in the Radio Interference Regulations of Industry Canada.

These limits are designed to provide reasonable protection against harmful interference in a residential installation. This equipment generates, uses and can radiate radio frequency energy and, if not installed and used in accordance with the instructions, may cause harmful interference to radio communications. However, there is no guarantee that interference will not occur in a particular installation. If this equipment does cause harmful interference to radio or television reception, which can be determined by turning the equipment off and on, the user is encouraged to try to correct the interference by one or more of the following measures:

- Re-orient or relocate the receiving antenna.
- Increase the separation between the equipment and receiver.
- Connect the equipment into an outlet on a circuit different from that to which the receiver is connected.
- Consult the dealer or an experienced radio/TV technician for help.

This device complies with Part 15 of the FCC Rules. Operation is subject to the following two conditions:

1. This device may not cause harmful interference, and
2. This device must accept any interference received, including interference that may cause undesired operation.

NOTICE CONCERNING FCC REGULATIONS:

You are cautioned that changes or modifications not expressly approved by the part responsible for compliance could void the user's authority to operate the equipment.

This unit does not exceed the Class B limits for radio noise emission from digital apparatus set out in the radio interference regulations of the Canadian Department of Communications.

This symbol means the equipment is a Class II or double-insulated electrical appliance. It has been designed in such a way that it does not require a safety connection to electrical earth.



DOUBLE INSULATED - When servicing use only identical replacement parts.

Correct Disposal of this product: This marking indicates that this product should not be disposed with other household wastes through the EU. To prevent possible harm to the environment or human health from uncontrolled waste disposal, recycle it responsibly to promote the sustainable reuse of material resources. To return your used device, please use the return and collection systems or contact the retailer where the product was purchased. They can take this product for environmentally safe recycling.

CAUTION: This product was intended to use for professional person, does not provide power management function. Once don't use/operate the equipment, please power off to save the energy.

IMPORTANT!: Since digital circuitry may cause interference to other radio or television tuners nearby, switch this unit off when not in use or move it away from the affected radio/television tuner.

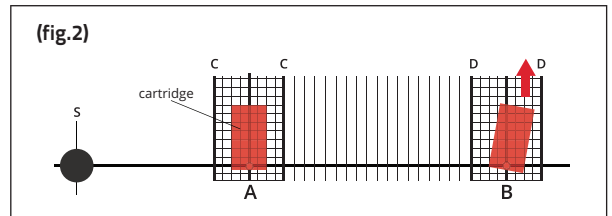
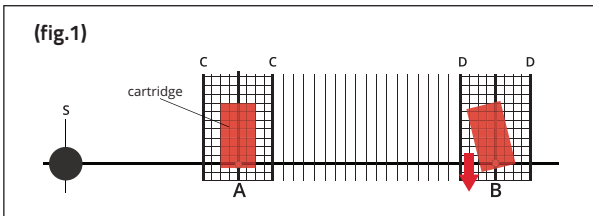
Cartridge Alignment Protractor

Correct cartridge alignment ensures the stylus is positioned properly relative to the grooves on the record. Incorrect alignment can cause distortion and can also cause unwanted wear and tear on your stylus.

Follow the instructions below to ensure your cartridge is mounted correctly.

Instructions

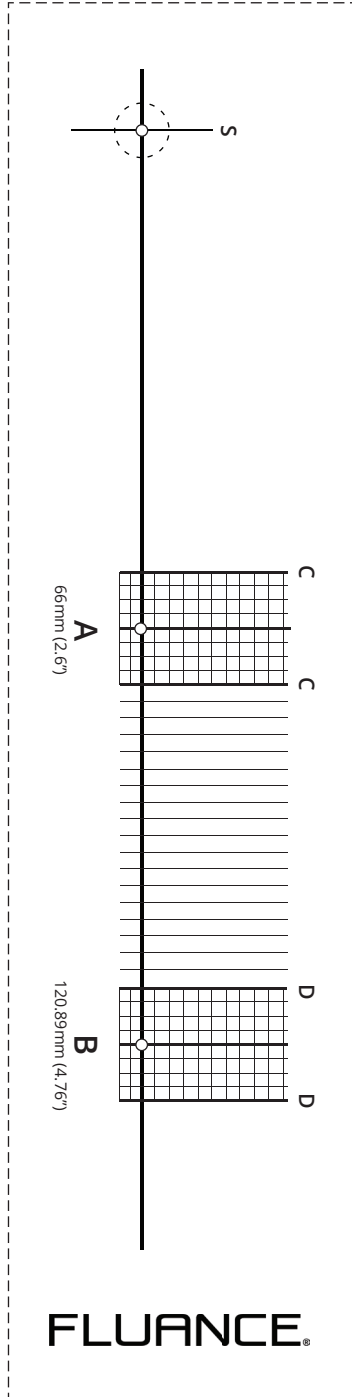
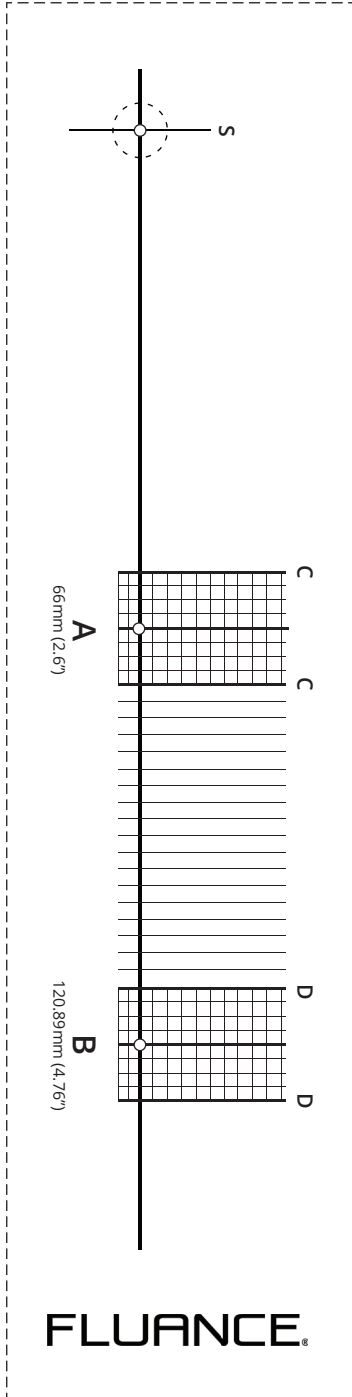
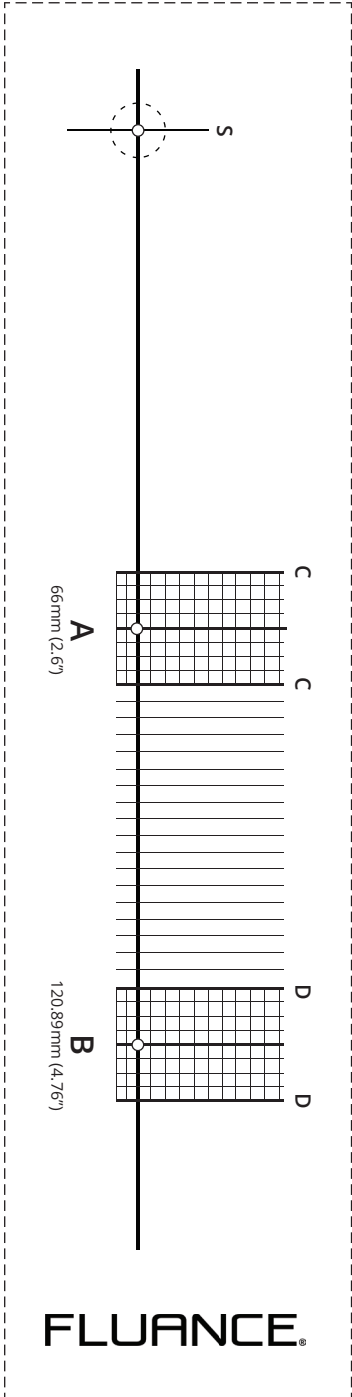
1. Cut out the Cartridge Alignment Protractor* and carefully cut out the spindle hole (S).
*See page 23 for cutout.
2. Place the protractor on the spindle.
3. With the stylus protector removed, gently place the stylus on point A.
4. Rotate the cartridge so that the sides of the cartridge are parallel with the grid lines (C).
5. Place the stylus on point B and confirm the sides are parallel with the grid lines (D).
6. If the cartridge sides are not parallel at point B move the cartridge forward (fig.1) or backward (fig.2) and repeat steps 4-6 until the sides are parallel at both points.



For more information and support please visit www.fluance.com/support

Cartridge Alignment Protractor Cutout

Note: Only 1 protractor is required for the cartridge alignment process. 3 cutouts have been provided for convenience.



Fluance.com