

# OFFICE CHAIR ASSEMBLY INSTRUCTION

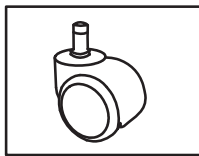
<http://www.paylesshere.com>



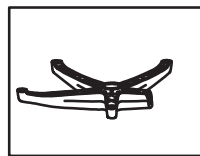
THANK YOU FOR PURCHASING OFFICE CHAIR

VN-H03/ VN-H99 / VN-OC25

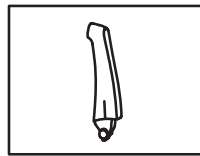
## PARTS LIST



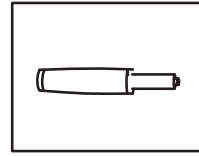
A 5×Wheels



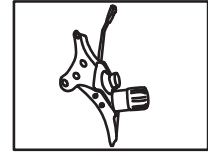
B1 1×base



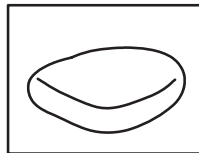
B4 1×Split base tube



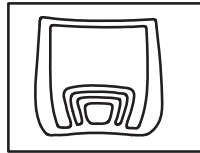
C1 1×gas lift



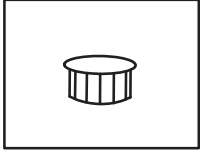
D 1×mechanism



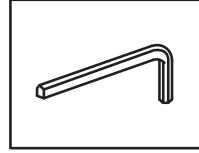
E 1×seat



F 1×back



G 4×Plastic caps



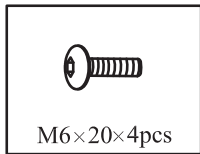
H 1×allen key



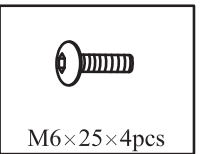
I1 1×right armrests



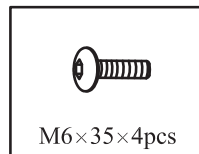
I2 1×left armrests



M6×20×4pcs



M6×25×4pcs



M6×35×4pcs

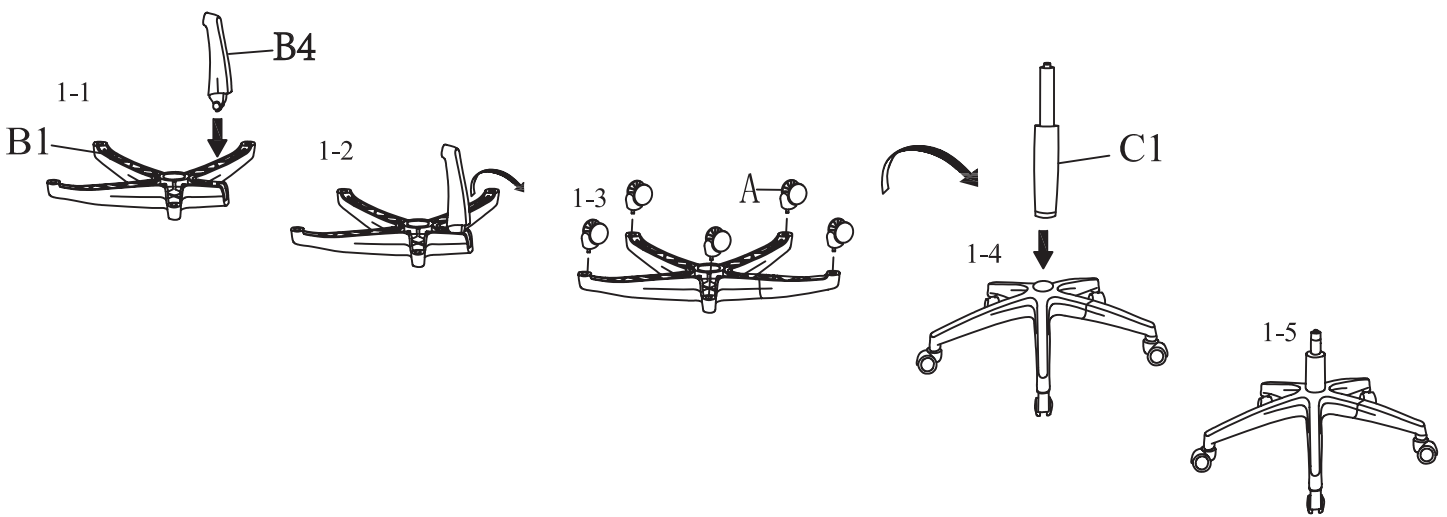
Z12 4×screws

Z19 4×screws

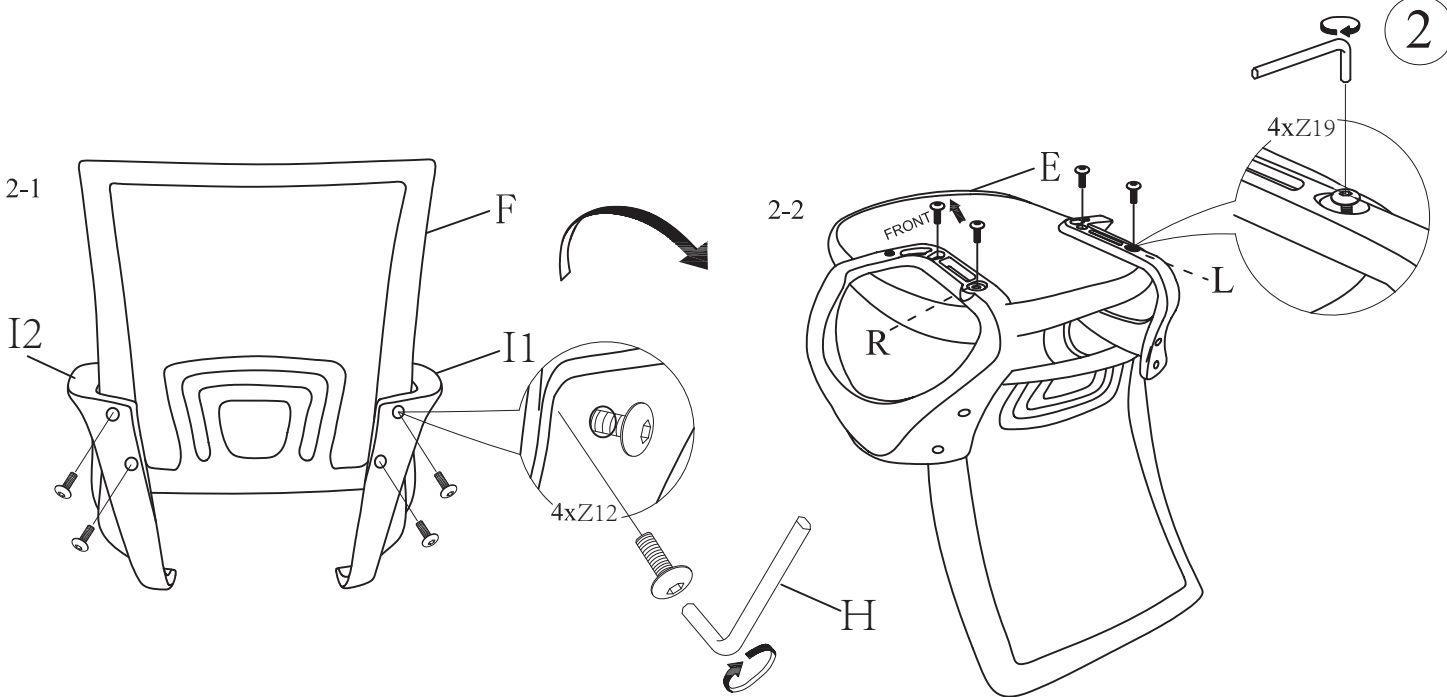
## WARNING

- Do not stand in this chair or use the chair as a step ladder use it as chair only.
- This chair is designed for one person to use at a time.
- This chair is designed for one person weighing up to 250lbs(113kgs).
- Do not use this chair unless all bolts, screws and knobs are firmly secured.
- Check all bolts,screws and knobs every 90days. Tighten if any are loose.
- Failure to follow these instructions may result in serious injury or death of yourself and people around you.
- Some of the part are heavy and/or has shape edge, please install it carefully to avoid hurt you and people around you.

1

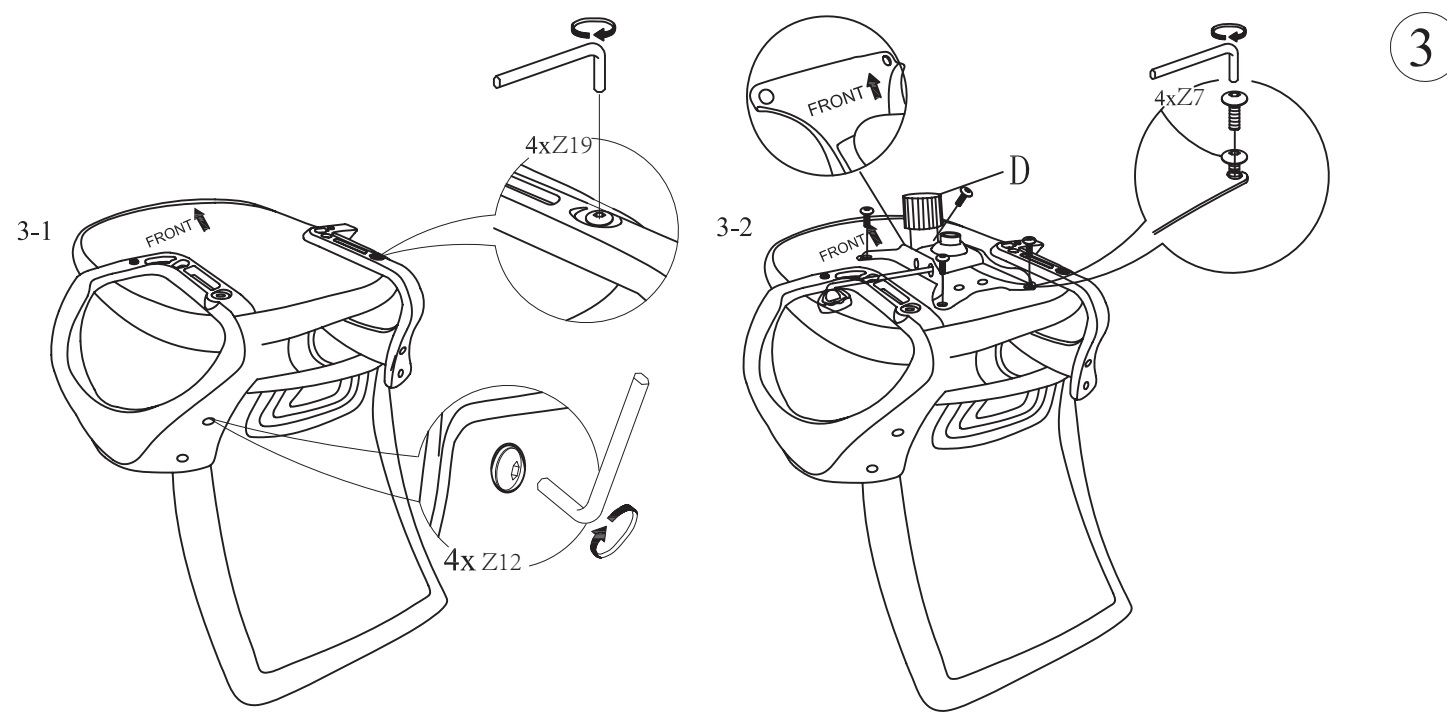


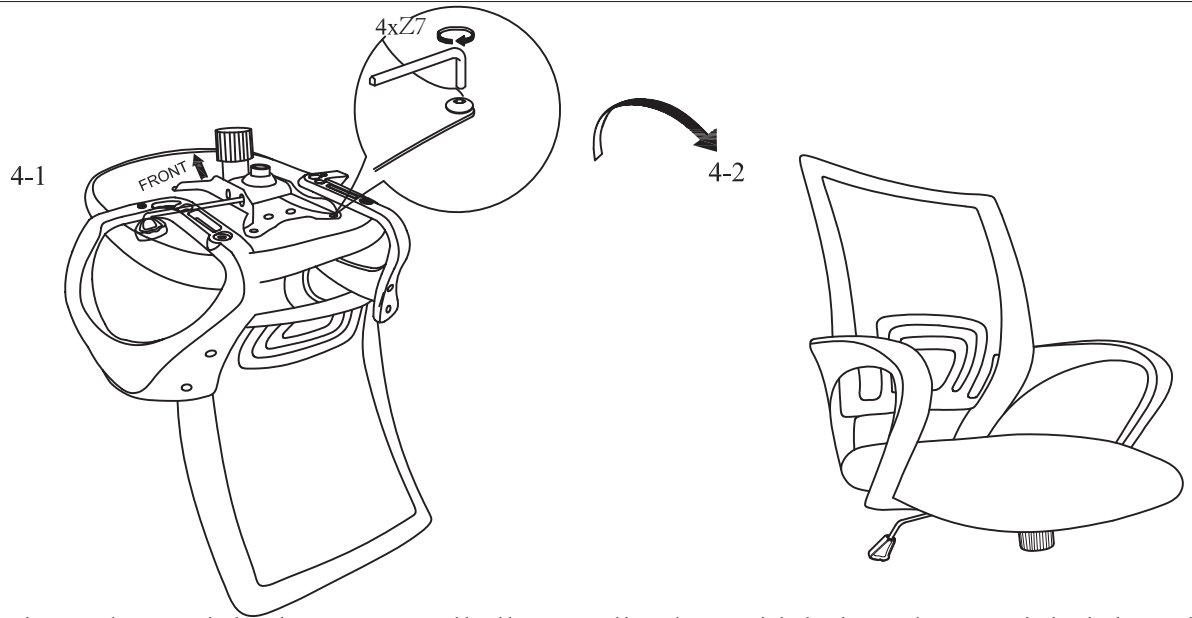
2



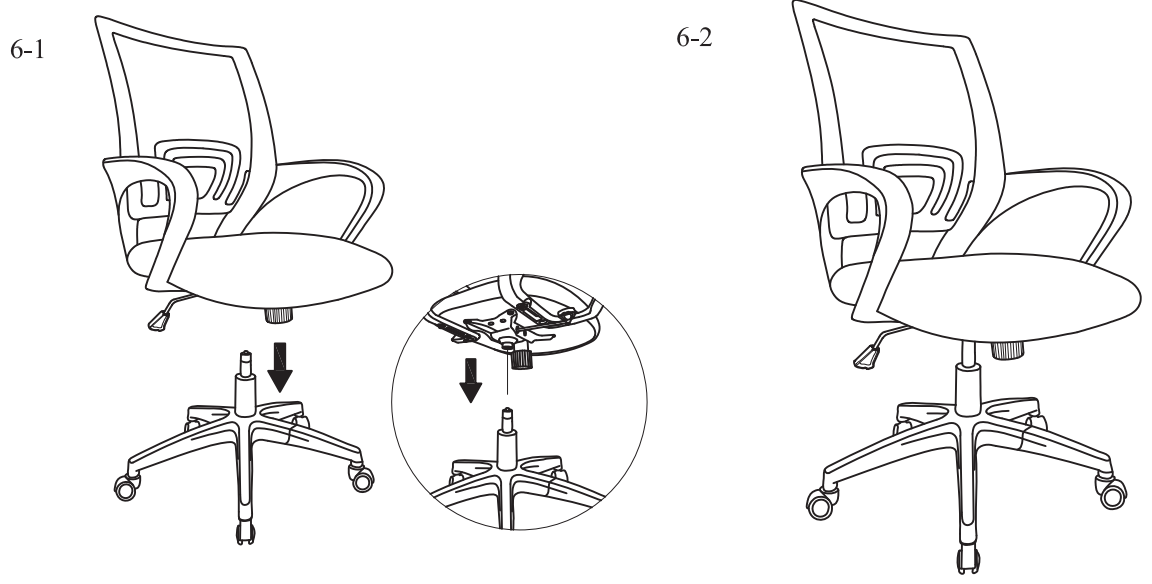
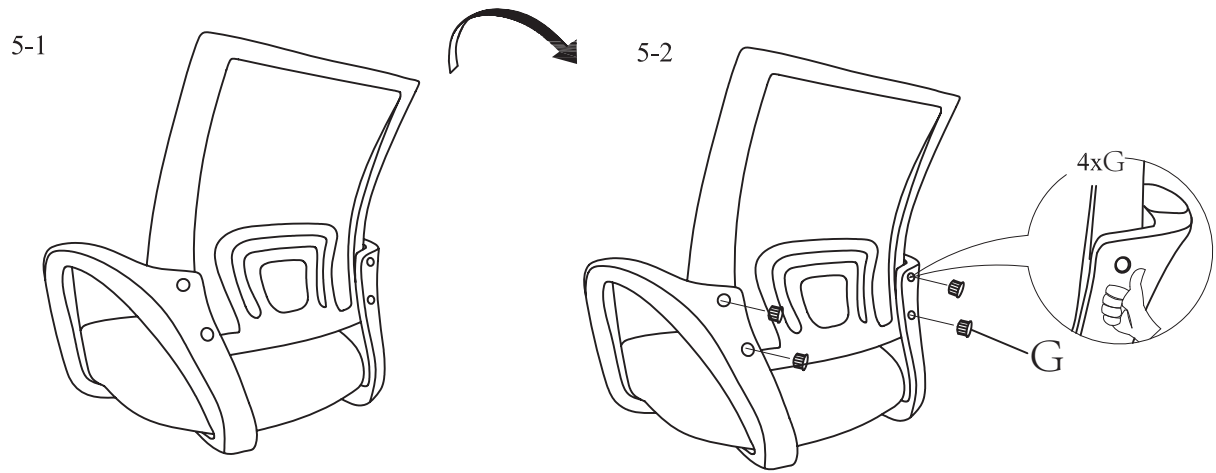
The left and right side hand rest is different

3

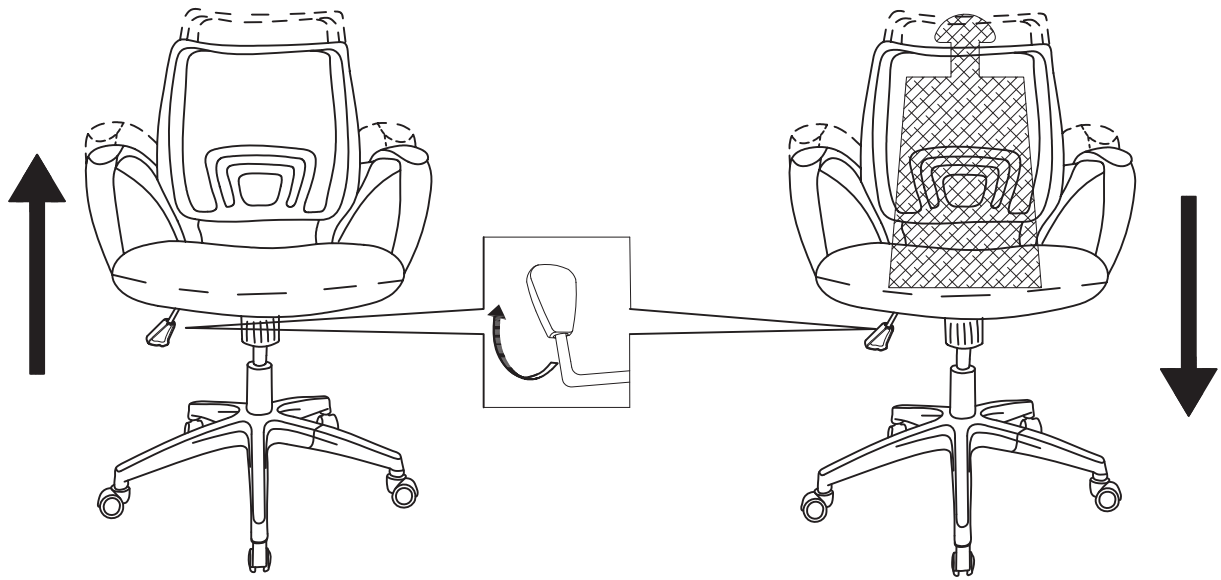




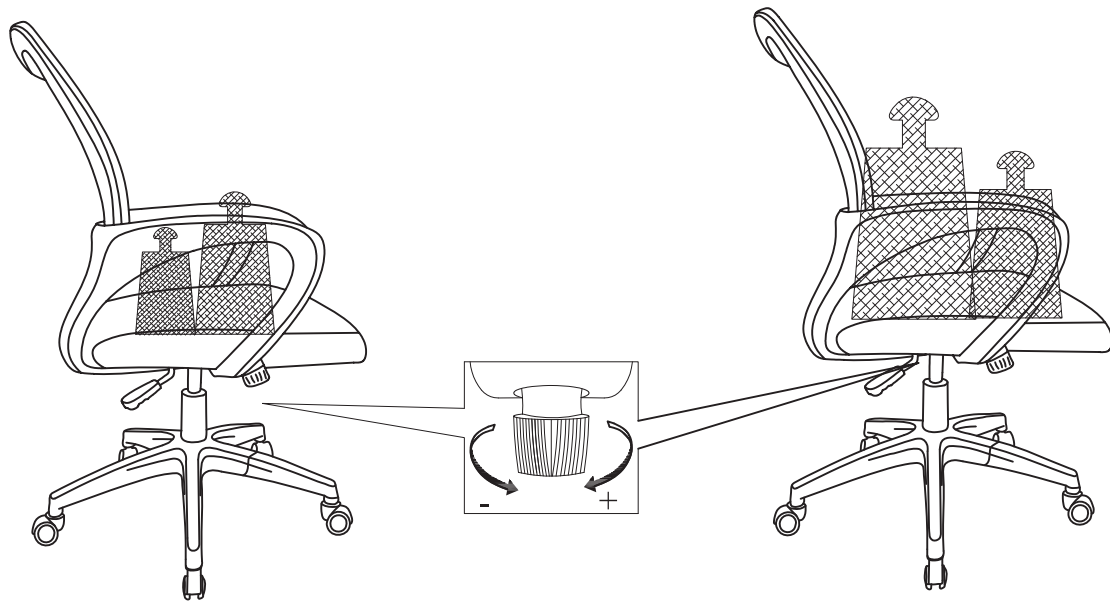
Please do not tight the screw until all screw lined up with hole and try to tight it loosely initially in all screws then tight a little bit more in all screws do not overnight one screws that will make other screw hard to tight but tight all screw firmly in the end



7

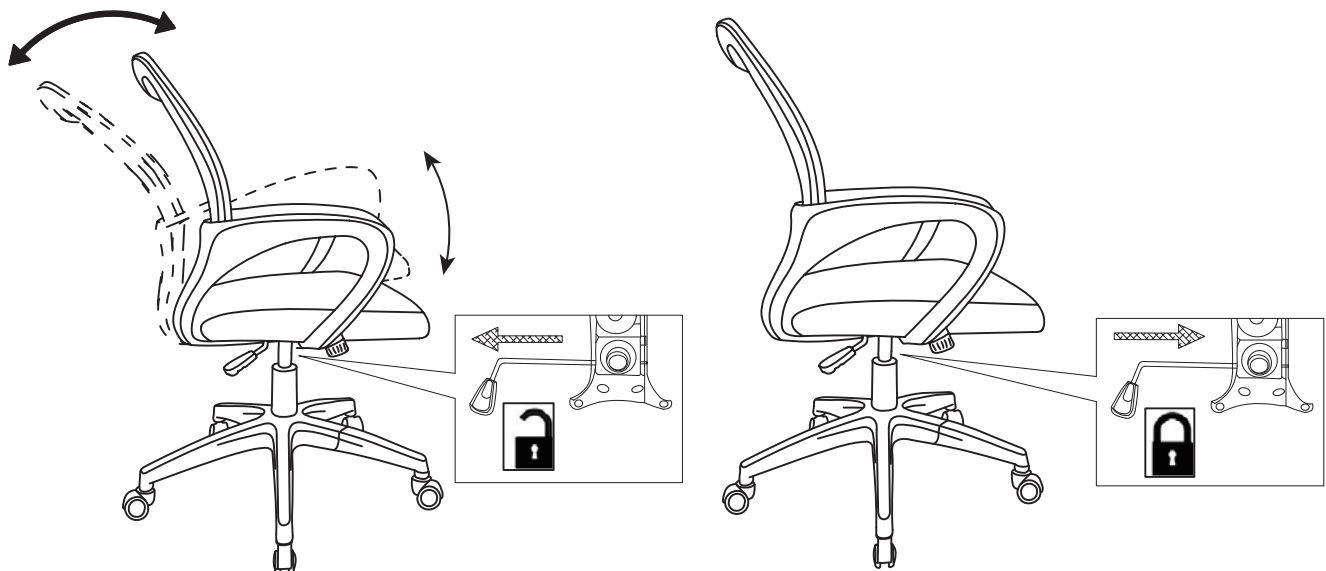


8



there's a circle under the chair if you turn it, it will lessen the force required to the lean back in the chair.

9



This chair will not lay flat but can recline, in order to recline, please pull the handle on the side out.