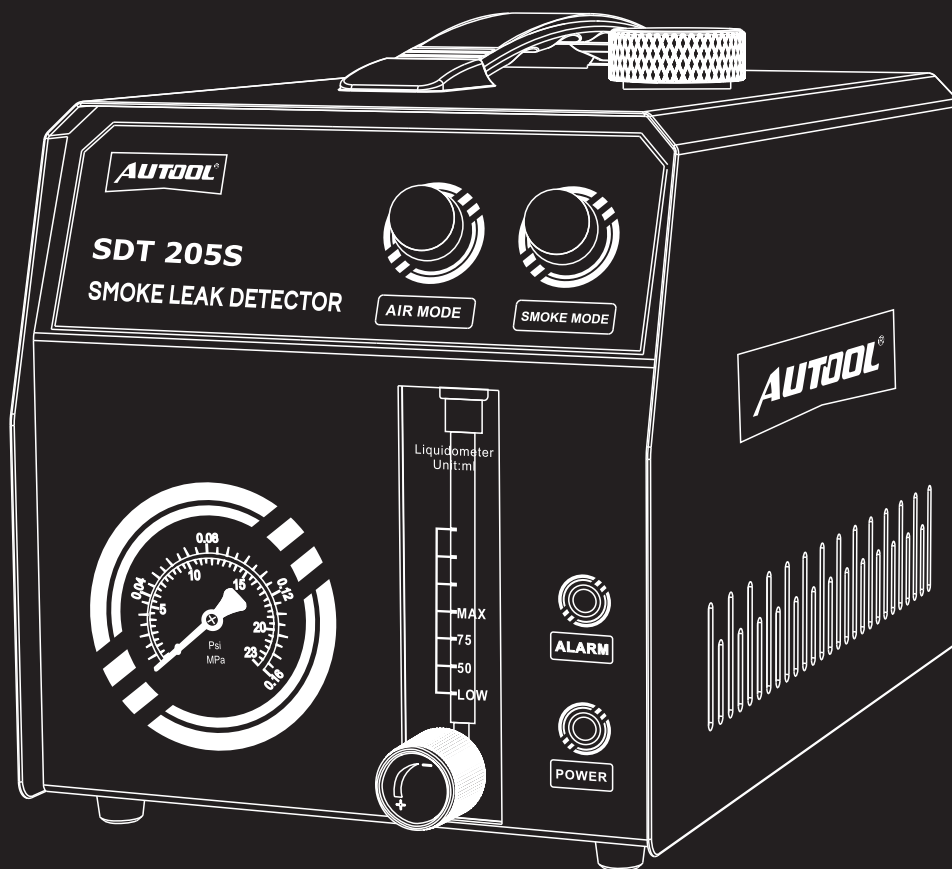


AUTOOL[®]

AUTOOL SDT 205S Smoke Leak Detector

User Manual



Copyright Information

All rights reserved by AUTOOL TECH. CO., LTD. No part of this publication may be reproduced, stored in a retrieval system, or transmitted in any form or by any means, electronic, mechanical, photocopying, recording or otherwise, without the prior written permission of AUTOOL. The information contained herein is designed only for the use of this unit. AUTOOL is not responsible for any use of this information as applied to other units.

Neither AUTOOL nor its affiliates shall be liable to the purchaser of this unit or third parties for damages, losses, costs, or expenses incurred by purchaser or third parties as a result of: accident, misuse, or abuse of this unit, or unauthorized modifications, repairs, or alterations to this unit, or failure to strictly comply with AUTOOL operating and maintenance instructions.

AUTOOL shall not be liable for any damages or problems arising from the use of any options or any consumable products other than those designated as Original AUTOOL Products or AUTOOL Approved Products by AUTOOL.

Other product names used herein are for identification purposes only and may be trademarks of their respective owners. AUTOOL disclaims any and all rights in those marks.

This unit is made for the purpose of persons who have special techniques and certifications.

Manual are either trademarks, registered trademarks, service marks, domain names, logos, company names of or are otherwise the property of AUTOOL or its affiliates. In countries where any of the AUTOOL trademarks, service marks, domain names, logos and company names are not registered, AUTOOL claims other rights associated with unregistered trademarks, service marks, domain names, logos, and company names. Other products or company names referred to in this manual may be trademarks of their respective owners. You may not use any trademark, service mark, domain name, logo, or company name of AUTOOL or any third party without permission from the owner of the applicable trademark, service mark, domain name, logo, or company name. You may contact AUTOOL by visiting AUTOOL at <https://www.autooltech.com>, or writing to aftersale@autooltech.com, to request written permission to use Materials on this manual for purposes or for all other questions relating to this manual.



Safety Precautions

- Never allow improperly trained personnel to perform these procedures or operate the equipment, otherwise, all losses caused by this should be borne by the user.
- This product is powered by the power supply and should be placed away from the children.
- To avoid short circuit, do not immerse the product in water or other liquids.
- Please use the standard voltage and power cord.
- When not using this product, do not expose it to strong light or high temperature.
- When performing leak detection, stay away from smoke-sensitive parts such as headlights.
- When for the first time using this detector, please add 10-20 ml oil and do not exceed this range.
- Change the test oil regularly. Pour out any left oil in the detector before refilling with new oil.
- Test oil: both liquid paraffin and baby oil are OK. However, please make sure there is no water in it and no viscous liquids are allowed.
- Equipped with temperature protector. If the machine runs for a long period of time, it will automatically stop and provide protection after overheating, at which point the unit should be turned off, disconnected and stopped for 3-5 minutes.
- You can use strong airflow outside the device to cool the device, but do not directly use liquid for heat dissipation.

Please save this User Manual!

Introduction

This is a professional tool for automotive pipeline leak detection. Diagnostic Leak Detectors can quickly locate hard-to-find leaks in any sealed system using a visual smoke system, such as EVAP systems, air intake systems, exhaust systems, air and water leaks, pressurized air coolers, turbochargers, pipes, fittings, hoses and many other components. It helps technicians resolve issues quickly and at once, reducing the cost of repeat vehicle returns, dramatically reducing diagnostic time and improving customer service.

Features

- Small and portable, sized to fit in a toolbox;
- Built-in air compressor, ready for diagnosis and maintenance at any time;
- Pressure display: leaks can be found by maintaining a certain pressure value;
- Compact, lightweight design;

Specifications

Product Name: Smoke Leak Detector;

Input voltage: DC12V;

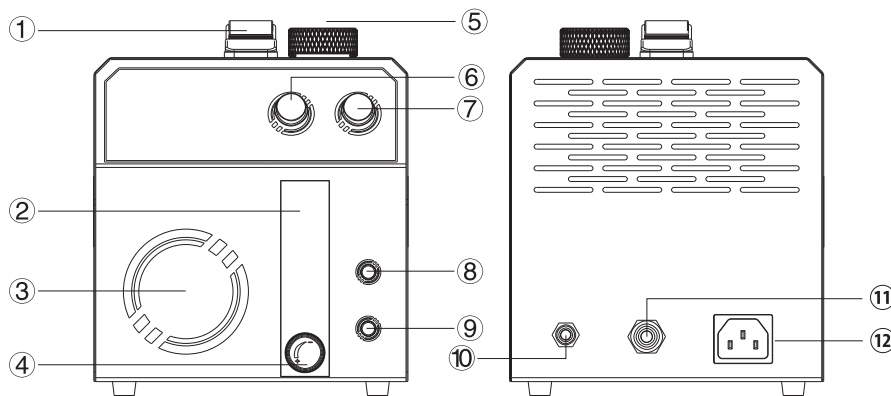
Output pressure: $\leq 15\text{Psi}$ ($\approx 1\text{Kg}$);

Output smoke flow : 6(L/min);

Package size: 360x320x240(mm);

Weight: 4.2Kg;

Structure



1-handle; 2-flowmeter; 3-pressure gauge; 4-flow adjustment knob; 5-oil inlet; 6-air switch;
7-smoke switch; 8-protection indicator; 9-Power Indicator ; 10-oil outlet; 11-smoke outlet;
12-Power socket;

Operation steps

- Open the Engine cover and hook the detector to the front cover of the engine.
- Open the access port of the system to be tested, and seal it with plugging the standard tapered adapter. If the tested system has multiple open accesses, please block them with corresponding rubber plugs.
- Connect to a standard tapered adaptor with a tapered quick coupling on the smoke exit pipe of the tested device.
- Connect the detector with a DC12V battery: red clamp with positive terminal, black clamp with negative terminal. Do not connect in the opposite way.
- After the power supply is correctly connected, the equipped air pump will start to work and output smoke.
- If there is no leakage in the tested system, the pressure gauge reading can reach more than 15PSI. But if the reading is low and fluctuates continuously, there is a leak.

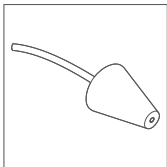
- Turn on the power switch of the detector, the detector will output smoke at speed of 6L/min to the inside of the tested system. Soon the pipe will be filled with large amount of smoke. The leak point will leak smoke outward. In order to improve the detection effect, a bright light can be used.
- After finishing the detection, please put away the cables, smoke duct pipeline, and related accessories.

Maintenance

Smoke and oil can oxidize and deteriorate under long-time exposure to high temperatures. It will affect the lifespan of the smoke generator, so please change the test oil regularly for better maintenance.

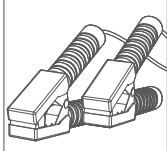
- Before adding new test oil, pour out the remaining test oil in the detector device.
- If there are drops on the smoke output, replace the test oil. Note: Baby oil and massage mineral oil can be used as test oil (be sure to confirm before using the formula can not contain water).
- Please use the equipped oil bottle filled with fresh oil for refilling.

Fittings and Specification



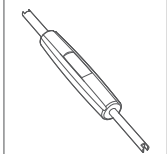
Standard Cone Adapter

Ø30-85mm, used to seal the air intake ports & introduce smoke into the exhaust system.



Power Cord Clamp

The cable length is 1.5m with 10A rated current, used to connect the device to the battery power supply.



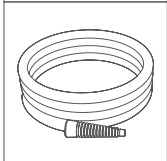
Valve Core Wrench

The double heads measure Ø4mm/6mm with an overall length of 122mm & used as a tool to remove and install the EVAP service port valve core.



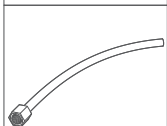
Test Oil Refill Bottle

The capacity is 100ml & used for adding smoke test oil.



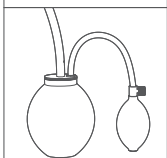
Smoke Hose

Length is 1.5m, oil-resistant hose with Ø6x9mm tapered couplings, for conducting air & smoke.



EVAP Special Connector

Ø12.7mm, connects to the car's EVAP access port, which then introduces smoke.



Universal Airbag Adapter

Its minimum is Ø25mm & maximum expansion is Ø110mm, used to seal the air inlet.

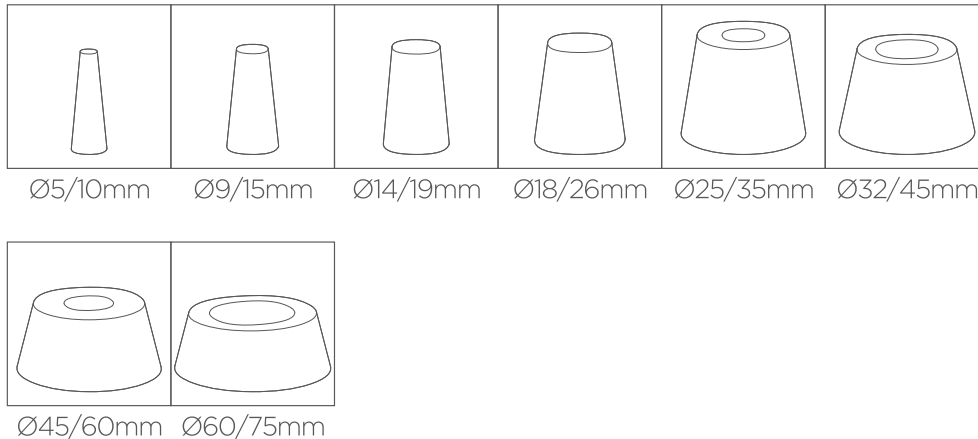


Rubber Connector Parts

The bigger side is Ø16/10mm and smaller one is Ø4/3mm, used to connect the hose mouth to a smaller interface.

Soft Rubber Hose Plug

Used for sealing the hose.



Warranty

There are 3 years warranty of the main unit from the date of the customer received the AUTOOL product and 1 year warranty for accessories.

Warranty Access

- Repair or replace the equipment will be done according to the specific fault conditions;
- We guarantee that all replacement parts, accessories or equipment are brand new;
- Within 90 days after the customer receives the product, if the product has faulty, the buyer can provide videos and pictures, we will bear the shipping costs and provide free replacement parts for the customer.

Warranty is not Covered on the Condition Listed Below

- Product is bought through non-official AUTOOL purchase channel.
- Product failure is caused by incorrect use of the product, use for other wrong purpose or human factors.

Disclaimer: All information, illustrations, and specifications contained in this manual, AUTOOL reserves the right of modify this manual and the machine itself with no prior notice. The physical appearance and color may differ from what is shown in the manual, please refer to the actual product. Every effort has been made to make all descriptions in the book accurate, but inevitably there are still inaccuracies, if in doubt, please contact your dealer or AUTOOL after-service centre, we are not responsible for any consequences arising from misunderstandings.