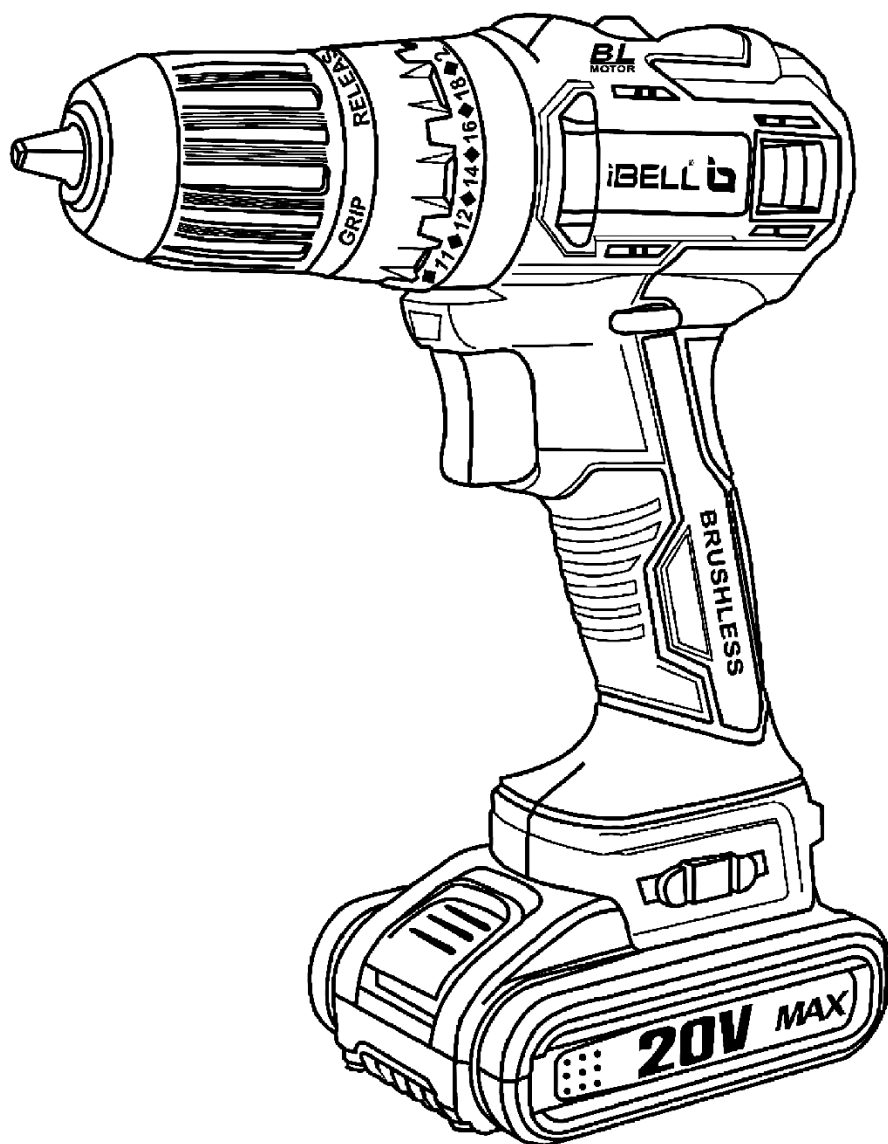




OPERATOR'S MANUAL



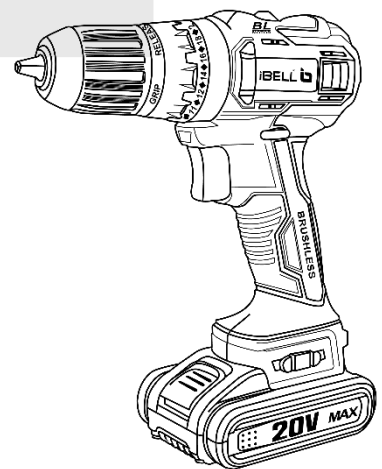
BRUSHLESS CORDLESS IMPACT DRILL

BM18-60 20V Max

<Read manual carefully before using>

TABLE OF CONTENTS

1. GENERAL POWER TOOL SAFETY WARNINGS	3
2. SCREWDRIVER SAFETY WARNINGS	6
3. PRODUCT OVERVIEW	10
4. PRODUCT SPECIFICATIONS	11
5. SETUP	12
6. PRODUCT FUNCTIONS	17
7. GENERAL OPERATION	20
8. TROUBLESHOOTING	23



GENERAL POWER TOOL SAFETY WARNINGS

⚠ WARNING! Read all safety warnings, instructions, illustrations and specifications provided with this power tool. Failure to follow all instructions listed below may result in electric shock, fire and/or serious injury. Save all warnings and instructions for future reference. The term “power tool” in the warnings refers to your mains-operated (corded) power tool or battery-operated (cordless) power tool

WORK AREA SAFETY

- **Keep work area clean and well lit.** Cluttered or dark areas invite accidents.
- **Do not operate power tools in explosive atmospheres, such as in the presence of flammable liquids, gases or dust.** Power tools create sparks which may ignite the dust or fumes.
- **Keep children and bystanders away while operating a power tool.** Distractions can cause you to lose control.

ELECTRICAL SAFETY

- **Power tool plugs must match the outlet. Never modify the plug in any way.** Do not use any adapted plugs with earthed(grounded) power tools. Modified plugs and un-matching outlets will increase the risk of electric shock.
- **Avoid body contact with earthed or grounded surfaces, such as pipes, radiators, ranges and refrigerators.** There is an increased risk of electric shock if your body is earthed or grounded.
- **Do not expose power tools to rain or wet conditions.** Water entering a power tool will increase the risk of electric shock.
- **Do not abuse the cord.** Never use the cord for carrying, pulling or unplugging the power tool. Keep it away from heat, oil, sharp edges or moving parts.
- **When operating a power tool outdoors, use an extension cord suitable for outdoor use.** Use of a cord suitable for outdoor use reduces the risk of electric shock.

PERSONAL SAFETY

- **Stay alert, watch what you are doing and use common sense when operating a power tool.** Do not use a power tool while you are tired or under the influence of drugs or alcohol. A moment of inattention while operating power tools may result in serious personal injury.
- **Use personal protective equipment.** Always wear eye protection. Protective equipment such as a dust mask, non-skid safety shoes, hard hat, or hearing protection used for appropriate conditions will reduce personal injuries.
- **Prevent unintentional starting.** Ensure the switch is in the off-position before connecting to power source and/or battery pack, picking up or carrying the tool.
- **Remove any adjusting key or wrench before turning the power tool on.** A wrench or a key left attached to a rotating part of the power tool may result in personal injury.
- **Do not overreach.** Keep proper footing and balance at all times. This enables better control of the power tool in unexpected situations.
- **Dress properly, say no to loose clothing or jewellery.** Keep your hair, clothing away from moving parts. Loose clothes, jewellery or long hair can be caught in moving parts.
- **If devices are provided for the connection of dust extraction and collection facilities, ensure these are connected and properly used.** Use of dust collection can reduce dust-related hazards.

SERVICE

- **Have your power tool serviced by a qualified repair-person** using only identical replacement parts. This will ensure that the safety of the power tool is maintained.
- **When servicing a power tool, use only identical replacement parts.** Follow instructions in the maintenance section of this manual. Use of unauthorized parts or failure to follow maintenance instructions may create a risk of shock or injury.

POWER TOOL USE AND CARE

- **Do not force the power tool.** Use the correct power tool for your application. The correct power tool will do the job better and safer at the rate for which it was designed.
- **Do not use the power tool if the switch does not turn it on and off.** Any power tool that cannot be controlled with the switch is dangerous and must be repaired.
- **Disconnect the plug from the power source and/or the battery pack from the power tool before making any adjustments, changing accessories, or storing power tools.** Such preventive safety measures reduce the risk of starting the power tool accidentally.
- **Store idle power tools out of the reach of children and do not allow persons unfamiliar with the power tool or these instructions to operate the power tool.** Power tools are dangerous in the hands of untrained users.
- **Keep cutting tools sharp and clean.** Properly maintained cutting tools with sharp cutting edges are less likely to bind and are easier to control.
- **Use the power tool, accessories and tool bits etc. in accordance with these instructions, taking into account the working conditions and the work to be performed.** Use of the power tool for operations different from those intended could result in a hazardous situation.
- **Keep handles and grasping surfaces dry, clean and free from oil and grease.** Slippery handles and grasping surfaces do not allow for safe handling and control of the tool in unexpected situations.
- **Use power tools only with specifically designated battery packs.** Use of any other battery packs may create a risk of injury and fire.
- **Battery of the tools should be recharged only with the charger specified by the manufacturer.** A charger that is suitable for one type of battery pack may create a risk of fire when used with another battery pack.

IMPACT DRIVER SAFETY WARNINGS

- **Hold power tool by insulated gripping surfaces**, when performing an operation where the fastener may contact hidden wiring.
- **Wear personal protective devices** when impact drilling or hammering. Exposure to the work can cause hearing loss and eye problems. Wear safety goggles or other eye protection. Hammering and drilling operations cause chips to fly.
- **Use clamps or other practical way to secure and support the work piece to a stable platform.** Holding the work by hand or against your body is unstable and may lead to loss of control.
- Accessories and tools get hot during operation. Wear gloves when touching them.
- **Do not operate this tool for long periods of time.** Vibration caused by tool action may be harmful to your hands and arms. Use gloves to provide extra cushion and limit exposure by taking frequent rest periods.
- **Always use respiratory protection appropriate for the dust exposure.** Avoid prolonged contact with dust from drilling, and other activities. Wear protective clothing and wash exposed areas with soap and water. Allowing dust to get into your mouth, eyes, or lay on the skin may promote absorption of harmful chemicals.
- **When not in use, place tool on its side on a stable surface where it will not cause a tripping or falling hazard.** Some tools with large battery packs will stand upright on the battery pack but may be easily knocked over.
- **Adopt the correct working practices in order to reduce the exposure to vibration.** While working with this power tool, hand/arm vibrations occur.
- **Never attempt to open the product housing for any reason.** If the plastic housing of the product breaks open or cracks, immediately discontinue its use and do not recharge it.
- Always be alert when using this product, so that you can recognise and handle risks early. Fast intervention can prevent serious injury and damage to property.

BATTERY PACKS

- **Do not charge or use the battery pack in explosive atmospheres**, such as in the presence of flammable liquids, gases or dust. Inserting or removing the battery pack from the charger may ignite the dust or fumes.
- **Never force the battery pack into the charger.** Do not modify the battery pack in any way to fit into a non-compatible charger as battery pack may rupture causing serious personal injury. Consult the chart at the end of this manual for compatibility of batteries and chargers.
- **Do not store battery pack in locations where the temperature may reach or exceed 104 °F (40 °C) (such as outside sheds or metal buildings in summer).** For best life store battery packs in a cool, dry location.
- Do not splash or immerse the battery in water or other liquids.
- **Do not store the battery packs in a tool with the trigger switch locked on.** Never tape the trigger switch in the ON position.
- Damaged battery packs should be returned to the service centre for recycling.
- **Never attempt to open the battery pack for any reason.** If the battery pack case is cracked or damaged, do not insert into the charger. Do not crush, drop or damage the battery pack
- If battery contents come into contact with the skin, immediately wash area with mild soap and water. If battery liquid gets into the eye, rinse water over the open eye until irritation ceases.

BATTERY CHARGER

- **Do not attempt to charge the battery pack with any chargers other than the one in this tool-box.** The charger and battery pack are specifically designed to work together.
- **Protect the charger against moisture and wet conditions.** There is a danger of electric shock.
- **Pull by the plug rather than the cord when disconnecting the charger.** This will reduce the risk of damage to the electric plug and cord.

- **Charge/operate and store the product in an ambient temperature of 15-25°C** to ensure the longest battery life and best performance. Do not charge/operate or store the battery in temperatures below 5°C and above 40°C.
- **Do not place any object on top of the charger or place the charger on a soft surface that might block the ventilation slots and result in excessive internal heat.** Place the charger in a position away from any heat source. The charger is ventilated through slots in the top and the bottom of the housing.
- **Do not disassemble the charger;** take it to an authorized service centre when service or repair is required. Incorrect reassembly may result in a risk of electric shock, electrocution or fire.
- **Do not operate the charger with a damaged cord or plug.** Disconnect the charger from the outlet before attempting any cleaning. This will reduce the risk of electric shock. Removing the battery pack will not reduce this risk. Never attempt to connect 2 chargers together.
- **The charger is designed to operate on standard 100-240V household electrical power.** Do not attempt to use it on any other voltage. This does not apply to the vehicular charger

RESIDUAL RISKS

Even if you are operating this product in accordance with all the safety requirements, potential risks of injury and damage remain. The following dangers can arise:

- Health defects resulting from vibration emission if the product is being used over long periods of time or not adequately managed and properly maintained.
- Injuries and damage to property due to broken cutting attachments or the sudden impact of hidden objects during use.
- Danger of injury and property damage caused by other objects or due to natural reactions or calamities.

SYMBOLS

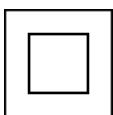
On the product or on the packing box, the rating label and within these instructions you will find among others the following symbols and abbreviations. Familiarize yourself with them to reduce hazards like personal injuries and damage to property.



Caution / Warning



Wear protective



This product is of protection class II. That means it is equipped with enhanced or double insulation



Wear hearing and eye protection



Approx. 1 hr charging time



Indoor use only



Do not expose battery packs to heat in excess of 40°C. Do not charge or store the battery pack in temperatures below 0°C and above 40°C

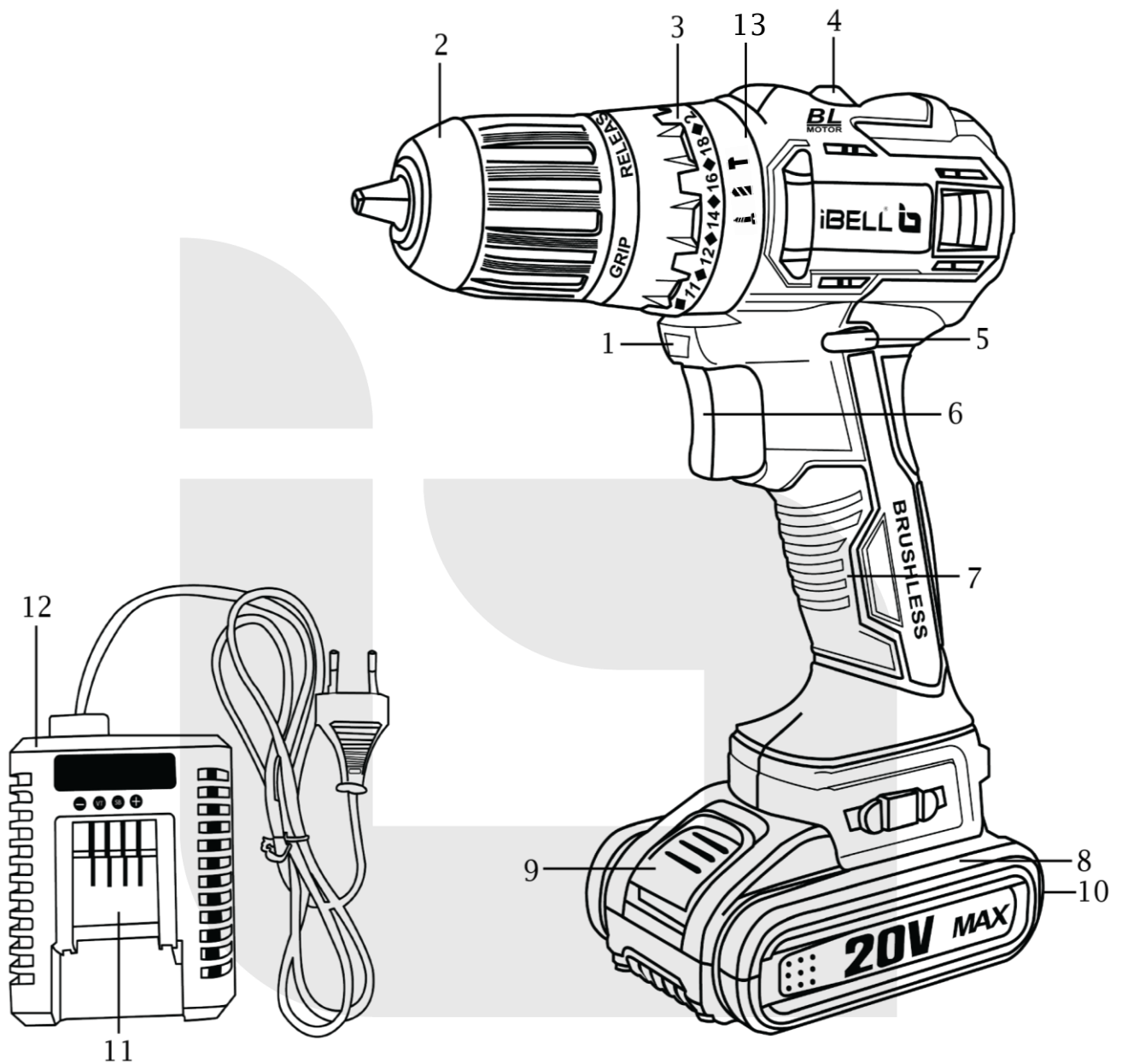


Do not dispose of battery packs in fire. They will explode and cause injury



Do not dispose of battery packs in water bodies or immerse in water

PRODUCT OVERVIEW



1. Work light

2. Chuck

3. Torque adjustment ring

4. Two-speed gear control

5. Forward/Reverse rotation control switch

6. ON/OFF trigger switch

7. Handle

8. Battery pack

9. Release button

10. Power indicator light

11. Charging base

12. Charger

13. Operation mode adjustment ring

PRODUCT SPECIFICATIONS

IMPACT-DRIVER

Rated voltage	: 18V
Maximum voltage	: 20V
Rated no load speed	: 0-450/0-1450 rpm
Torque	: 20 Settings (+3 mode settings)
Weight	: 1.14 Kg
Chuck capacity	: 10 mm
Drilling capacity	: Wood-15 mm Steel-10mm

BATTERY PACK

Type	: Li-Ion
Capacity	: 1500 mAh
Voltage	: 20V DC max
Weight	: 0.4 Kg

CHARGER

Rated input voltage	: 100-240V~50/60Hz
Rated output voltage	: 20V DC
Protection class	: Class II
Charging time	: approx. 1 hr
Weight	: 0.2 Kg

SETUP

UNPACKING AND ENSURING

- Unpack all parts and lay them on flat, stable surface. Remove all packing materials. Make sure the delivery contents are complete and free of any damage. If you find that parts are missing or show damage, do not use the product but contact your dealer. Using an incomplete or damaged product represents a hazard to people and property.
- Ensure that you have all the accessories and tools needed for assembly and operation. This also includes suitable personal protective equipment.

⚠ WARNING! The product must be fully assembled before operation! Do not use a product that is only partly assembled or assembled with damaged parts! Follow the assembly instructions step-by-step and use the pictures provided as a visual guide to easily assemble the product! Do not connect the product to power supply before it is completely assembled!

INTENDED USE

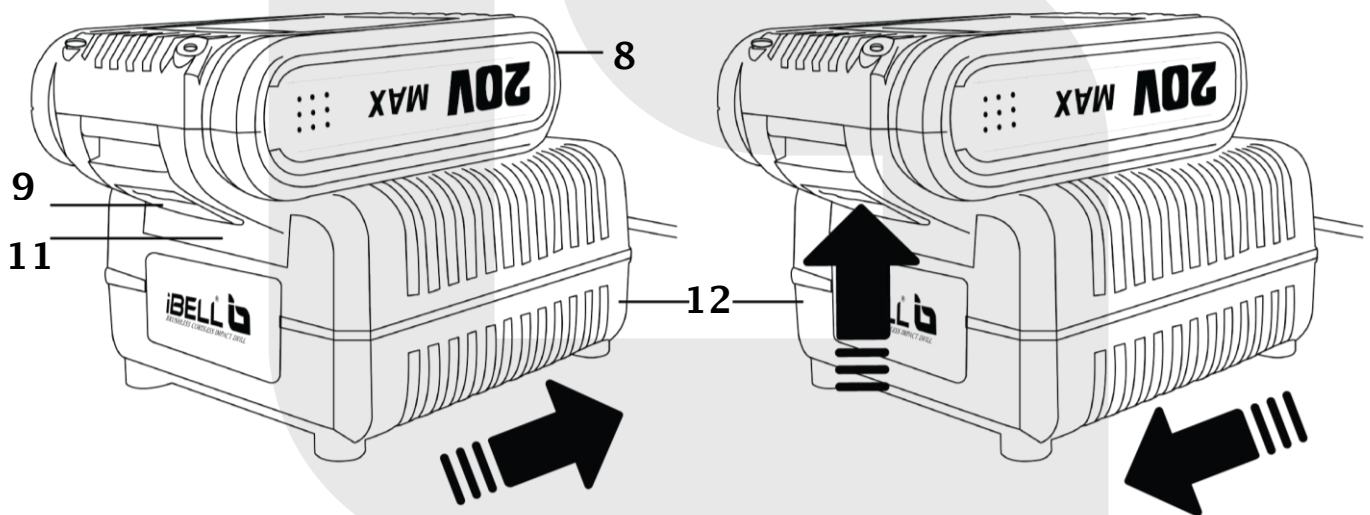
- **The product is intended for driving in, loosening screws as well as for drilling in wood, steel, plastic only and also for hammering.** This product is intended for light and medium impact drilling in brickwork/masonry. It should not be used for working on materials that are dangerous to health. It must not be used for tightening or loosening car wheel nuts.
- For safety reasons it is essential to read the entire instruction manual before first operation and to observe all the instructions mentioned in it.

CHARGING

The tool uses an iBELL charger and battery with the above mentioned specifications exclusively for this product. Use of other charging procedures are not appreciated. There is an option for an additional battery pack as well *.

CHARGING THE BATTERY:

- Slide the battery pack (8) into the charger base (11) until it locks in place. Connect the charger (12) to the power supply. The indicator light (displays in the iBell logo) lights in red when battery is charging and green/blue when charging is finished.
- After charging finished, disconnect the charger from power supply and remove battery pack from the charger base by pressing the release button (9) and pulling out the battery pack.

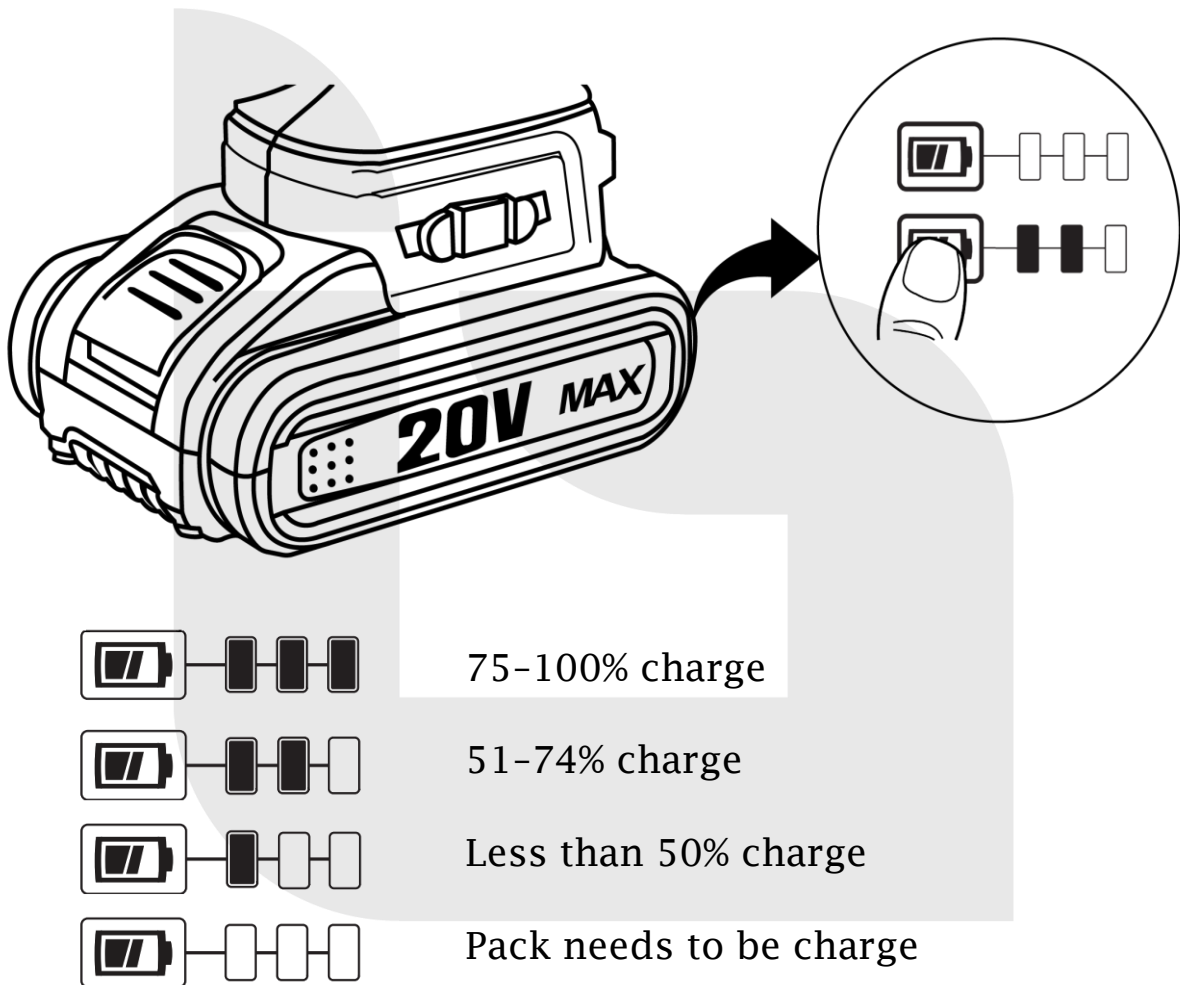


⚠ WARNING! Do not use any charger other than that specifically provided for use with the product. If the battery pack is very hot you must remove your battery pack from the charger and allow time for the battery to cool down before recharging. Please charge the battery to reach full or no less than half charge before storage. If the tool will not be used for long periods of time, charge the battery every 3-6 months.

BATTERY PACK

The iBELL battery packs include a battery gauge which consists of three LED lights that indicate the level of charge remaining in the battery pack.

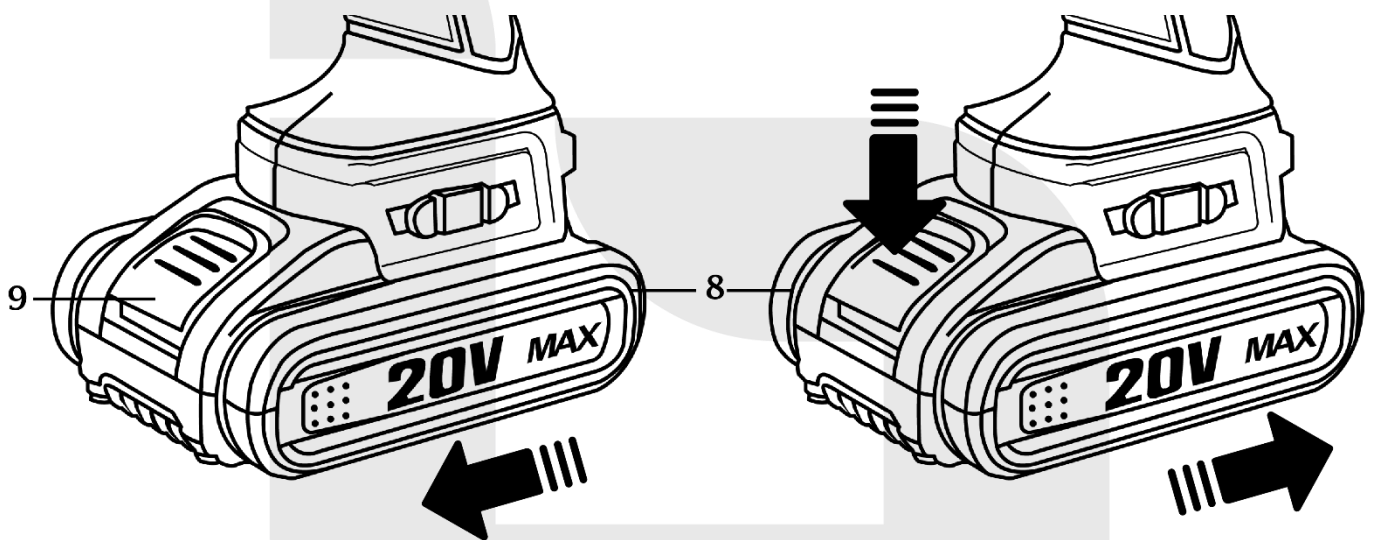
To actuate the battery gauge, press and hold the gauge button. When the level of charge in the battery is below the usable limit, the gauge meter will not illuminate and the battery will need to be recharged.



NOTE: The battery gauge is only an indication of the charge left on the battery pack. It does not indicate tool functionality and is subject to variation based on product components, temperature and end-user application.

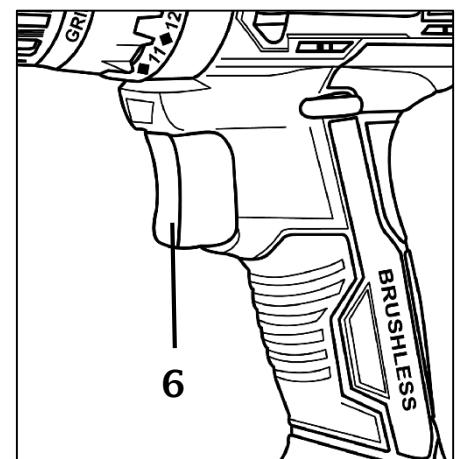
BATTERY PACK: INSTALLATION AND REMOVAL

- Lock the ON/OFF switch (6) to avoid accidental starting by moving the forward/reverse rotation control (5) into the middle position.
- To attach the battery to the product, align the battery pack (8) with the sliding slots of the battery docking port and slide the battery pack in. Ensure it clicks in place.
- To remove the battery, press the release button (9) and pull out the battery pack from the product.



ON/OFF TRIGGER SWITCH

Switch the device ON by pressing the ON/OFF switch (6) and OFF by releasing the switch. It is also a variable speed switch that delivers higher speed and torque with increased trigger pressure.



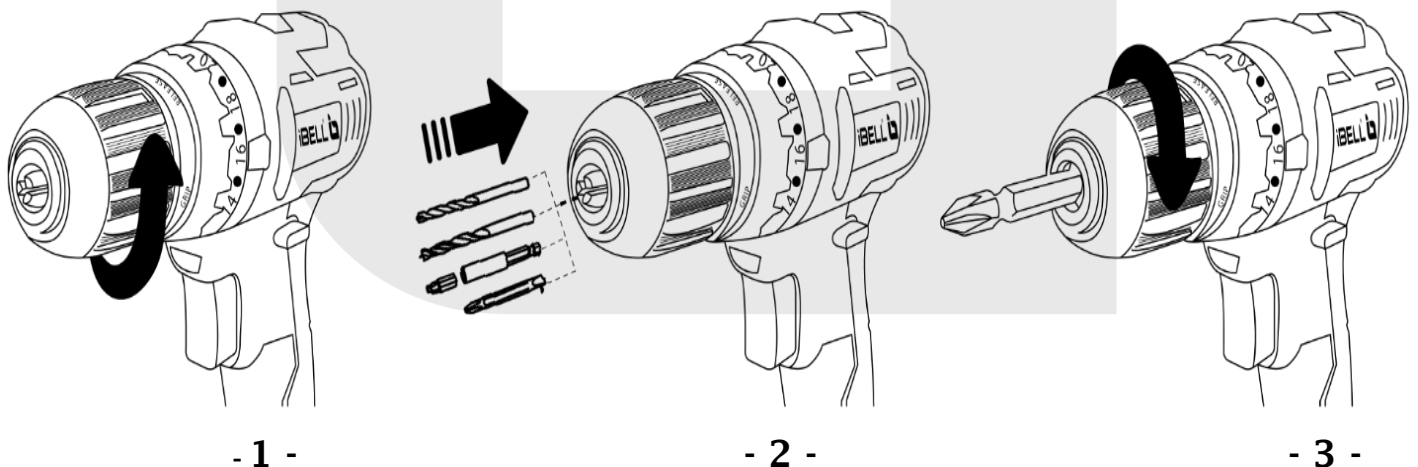
DRIVER/DRILL BITS

Different drill and driver bits (size of Hex 6.35 mm usually with 25 mm or 50 mm long) can be used with this product depending on the material being worked with.

⚠ WARNING! Always use drill bits according to the intended use! Never use a drill bit intended for working on wood for working on steel or vice versa! Observe the technical requirements of this product when purchasing and using drill bits! Some drill bits become hot during use, handle them carefully! Wear protective gloves!

INSERTING PROCEDURE:

1. Turn the chuck sleeve (2) anticlockwise until the chuck jaws are opened wide enough to insert the drill bit.
2. Insert the drill bit all the way to the stop. If using a 25 mm driver bit, insert it into the socket of a bit holder.
3. Turn the chuck sleeve clockwise until the drill bit is properly fastened in the chuck jaws.



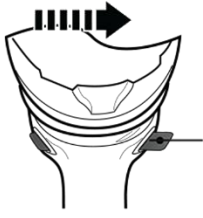
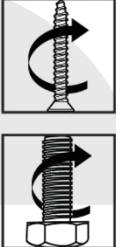
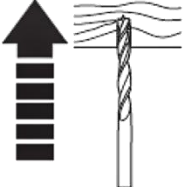
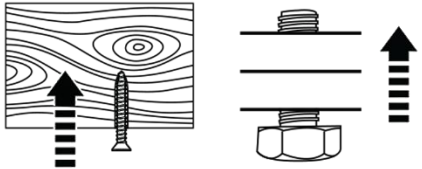
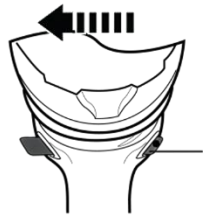
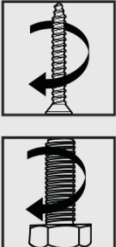
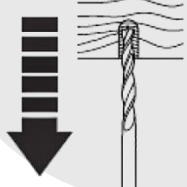
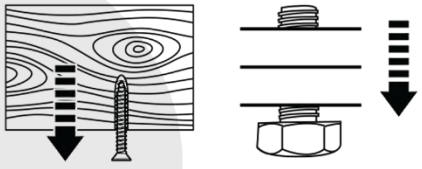
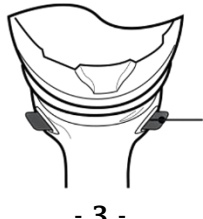
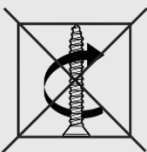

REMOVING/REPLACING:

- Turn the chuck sleeve (2) anticlockwise until the chuck jaws are opened wide enough to remove the bit.
- Remove the bit and insert a new one as described above if desired.

PRODUCT FUNCTIONS

FORWARD / REVERSE ROTATION CONTROL

Change the rotational direction from forward to reverse by pressing the forward /reverse rotation control (5).

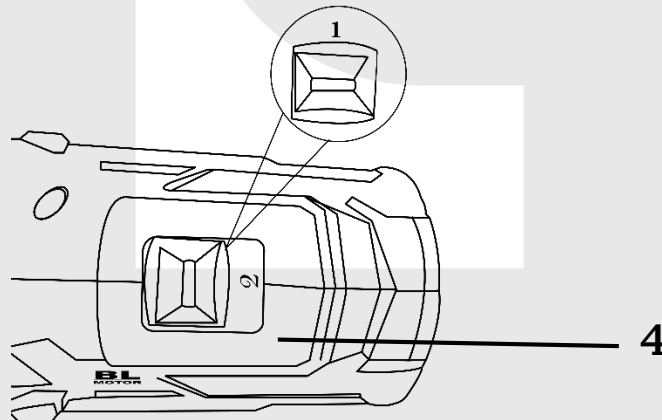
Position	Rotational direction	Application	
 <p>- 1 -</p>		 <p>Drilling into material</p>	 <p>Screw-driving</p>
 <p>- 2 -</p>		 <p>Loosen drill bits</p>	 <p>Screw removing</p>
 <p>- 3 -</p>		 <p>Lock the ON/OFF switch and avoid accidental starting</p>	

1. Move the forward/reverse rotation control switch (5) to the left (as seen from the operator position) in order to use the product in a clockwise rotational mode.
2. Move the forward/reverse rotation control switch to the right (as seen from the operator position) in order to use the product in anticlockwise rotational mode.
3. Move the rotation control switch to the centre position to lock the ON/OFF switch and avoid accidental starting.

⚠ WARNING! Only change the rotational direction when the product is switched off and has come to a complete stop! Always ensure that the forward/reverse rotation control is adjusted to the correct position depending on the intended operation! Always push the forward/reverse rotation control as far as it will go! Do not use the product with the control switch in any other intermediate position!

TWO-SPEED GEAR CONTROL

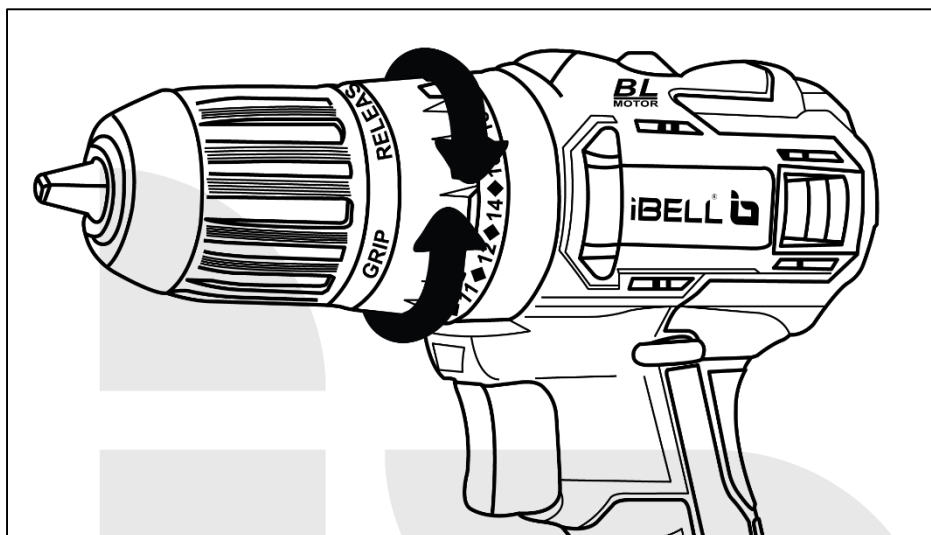
The two-speed gear control (4) is used to switch between two working modes. When the gear is set to position '1', the speed will decrease and the drill will have greater power and torque. When the gear is set to position '2', the speed will increase and the drill will have less power and torque.





Gear position	Description
1	Low speed range for screw-driving or working with large drilling diameter
2	High speed range for working with small drilling diameter.

TORQUE ADJUSTMENT

It is possible to adjust the output torque to each of the twenty settings. The torque is adjusted by rotating the torque adjustment ring (3). Torque is greater when the torque adjustment ring is set on a higher setting and lower when set on a lower setting.

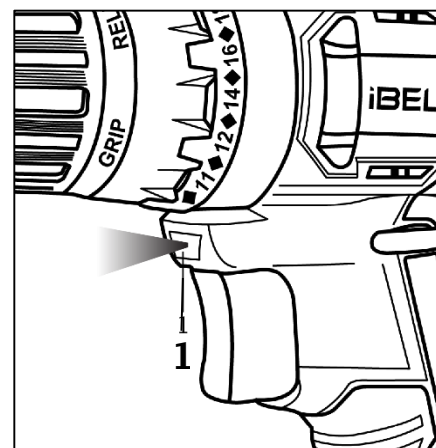


Torque	Description
1 - 4	For driving small screws
5 - 9	For driving screws into soft material
10 - 14	For driving screws into soft and hard material
15 - 20	For driving screws into hard wood
	For drilling in wood, plastic and steel
	For light hammer drilling

AUTOMATIC WORK LIGHT

The work light (1) will automatically illuminate by pressing the ON/OFF switch (6).

This helps to focus on the work more thoroughly and could work on a not much bright environment as well.



GENERAL OPERATION

- Check the product and charger as well as accessories for damage before each use. Do not use the product if it is damaged or shows wear. Double check that the accessories and attachments are properly fixed.
- Always hold the product on its handle. Keep the handle dry to ensure safe support.
- Switch the product off immediately if you are disturbed while working by other people entering the working area. Always let the product come to complete stop before putting it down.
- Do not overwork yourself. Take regular breaks to ensure you can concentrate on the work and have full control over the product.

DRILLING

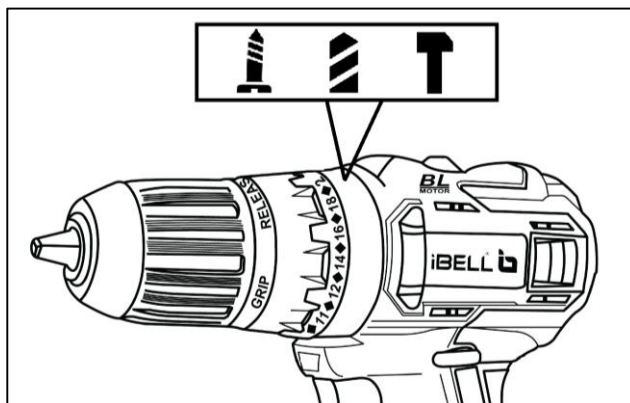
- Set the mode adjustment ring to drilling mode when drilling into wood, plastic or steel.
- Always hold the product perpendicular to the point to be drilled. Holding at an angle may cause slipping/jamming of the drill bit.
- Always place the drill tip directly on the point to be drilled first and then switch the product on.
- Pre-drill larger holes with a small diameter drill bit first. Doing so makes drilling with a larger diameter drill bit easier.
- Do not always drill at top speed. This unnecessarily increases the wear and tear of the product and drill bit.
- Remove blocked and stuck drill bits by changing the rotational direction.
- On plastics and steel, punch the drilling point before operation in order to avoid slipping of the drill.
- Use suitable drill bit for drilling into plastic and steel.

SCREW DRIVING

- Set the mode adjustment ring to screw driving mode. Adjust the torque setting according to the screw size and work-piece material.
- Pre-drill the holes with a smaller diameter of the screw to be screwed.
- Hold the product perpendicular to the screw to be screwed in or out. Holding it at an angle may cause slipping or jamming of the driver bit.
- Place the tip of the driver bit directly on the screw first and then switch the product on.
- Only apply as much pressure as necessary to keep the screw in place and the driver bit in contact with the screw head. Too much pressure will cause damage to the screw head and driver bit; too little pressure will cause the driver bit to slide away.
- Remove blocked and stuck screws by changing the rotational direction.

OTHER OPERATIONS

The tool can also be used as a hammer drill, to pulverize holes in brick and other similar materials (**light masonry works only**). As well as can be used to loosen jammed screws, nuts, bolts etc., with suitable accessories. With the help of the Operation mode adjustment ring (13), these operations can be carried.



CLEANING AND STORAGE

- Keep the product clean. Remove debris from it after each use and before storage. **Do not use chemical, alkaline, abrasive or other aggressive detergents or disinfectants to clean this product** as they might be harmful to its surfaces. Regular and proper cleaning will help ensure safe use and prolong the life of the product. Clean the product with a dry cloth. Use a brush for areas that are hard to reach.
- **Always store the product in a place that is inaccessible to children.** We recommend using the original package for storage or covering the product with a suitable cloth or enclosure to protect it against dust.

MAINTENANCE AND REPAIR

- Before and after each use, check the product and accessories (or attachments) for wear and damage. If required, exchange them for new ones as described in this instruction manual. Observe the technical requirements.
- This product does not contain any parts that can be repaired by the consumer. Contact an authorised service centre or a similarly qualified person to have it checked and repaired.

⚠ WARNING! Always switch the product off, disconnect the product from the power supply and let the product cool down before performing inspection, maintenance and cleaning work! Only perform repairs and maintenance work according to these instructions! All further works must be performed by a qualified specialist!

TROUBLESHOOTING

Suspected malfunctions are often due to causes that the users can fix themselves, therefore check the product using this section. In most cases the problem can be solved quickly.

Problem	Possible Cause	Solution
1. Product does not start	1.1 Battery discharged 1.2 Battery damaged 1.3 Other electrical defect to the product	1.1 Charge battery 1.2 Check by an electrician 1.3 Check by an electrician
2. Product does not reach full power	2.1 Battery capacity too low	2.1 Charge battery
3. Unsatisfactory result	3.1 Driver bit is worn 3.2 Driver bit not suitable for intended operation	3.1 Replace with a new one 3.2 Use suitable driver bit
4. Product suddenly stops	4.1 Product overloaded 4.2 Battery pack discharged 4.3 Battery too hot	4.1 Remove the product from the work-piece and switch it on again 4.2 Remove and charge battery pack 4.3 Remove battery pack and let it cool down

⚠ WARNING! Only perform the steps described within these instructions! All further inspection, maintenance and repair work must be performed by an authorised service centre or a similarly qualified specialist if you cannot solve the problem yourself!



Waste electrical products should not be disposed of with household waste. Please recycle where facilities exist. Check with your Local Authority or local store for recycling advice.

Disposal of an exhausted battery pack. The built-in battery is Li-Ion type. To preserve natural resources, please recycle or dispose of the battery properly. Consult your local waste authority for information regarding available recycling and/ or disposal options. Discharge your battery by operating your product before disposal. To remove the built-in battery from the product, separate the handle shells from one another by removing the fixing screws for handle, disconnect the battery from the circuit with a suitable tool. Fully wrap it with tape to avoid exposing two conductive ends of the battery.

CONTACT US

**HiTech Machineries & Equipments
IV/540E, Thottumugham, P.O, Aluva
Ernakulam(Dist), Kerala, India- 683105**

Toll Free : 1800 103 4090

Whatsapp : +91 8943 651651

Website : www.ibelltools.com

Email : icare@ibelltools.com

