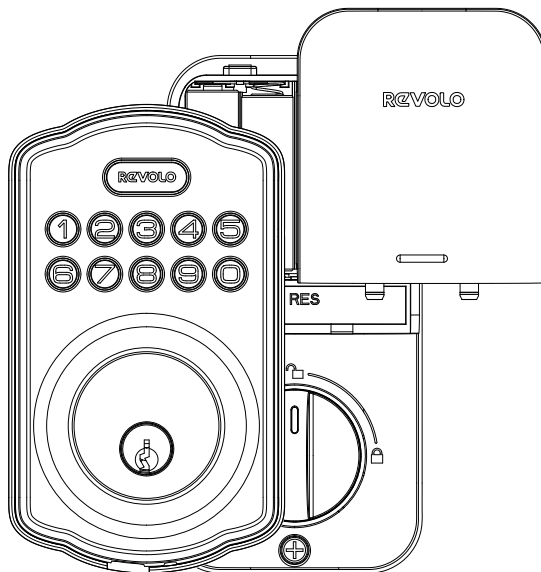


# REVOLVO

## Installation Instructions





The video of installation



The video of restoring  
factory default settings

## Table of Contents

Installation Instructions .....	1-2
Installing the Handle Parts (Part A) .....	4-10
Installing the Electronic Lock (Part B) .....	12-19
Restoring Factory Default Setting .....	20-21
Programming Instructions .....	22-25
Troubleshooting .....	26-27
Quick set up .....	28

# REVOLVO

## Installation Instructions



Before Installing the Lock, Check Door Jamb and Door Preparation



Door thickness :  
1-3/8" to 2"  
(35mm to 50mm)

Backset:  
2-3/8" or 2-3/4"  
(60 mm or 70 mm)

2-1/8"(54mm)

2-1/8"(54mm)

1"(25 mm)

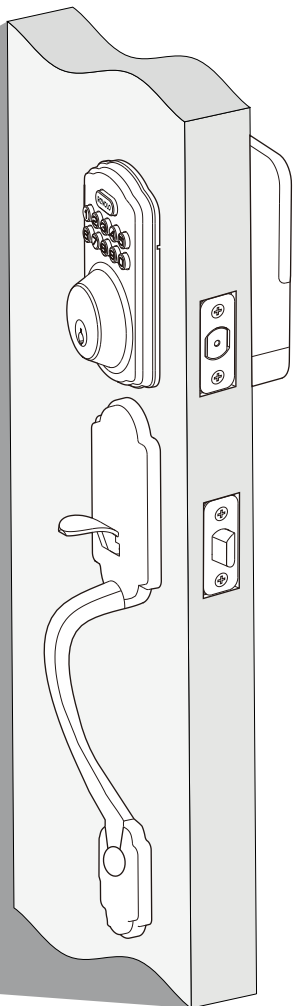
or

5"(127mm)

1"(25 mm)

3/8"(10mm)

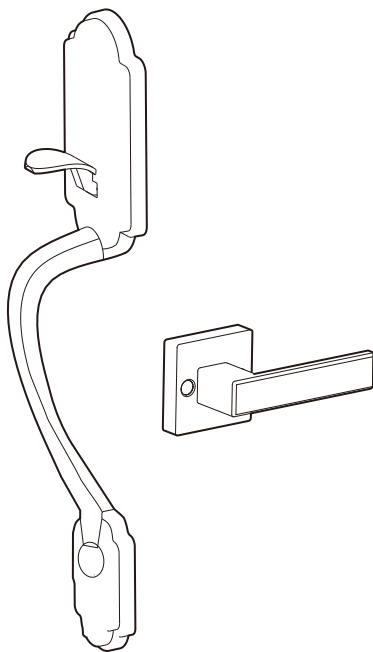
8-7/16"(214mm)





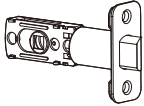
# REVOLVO

## PART A



# A: Parts identification

a



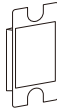
Latch

b



Strike

c



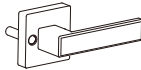
Dust Cover

d



Spacer

e



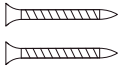
Handed Lever

f



Handleset

g



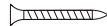
Handed Lever Screws

h



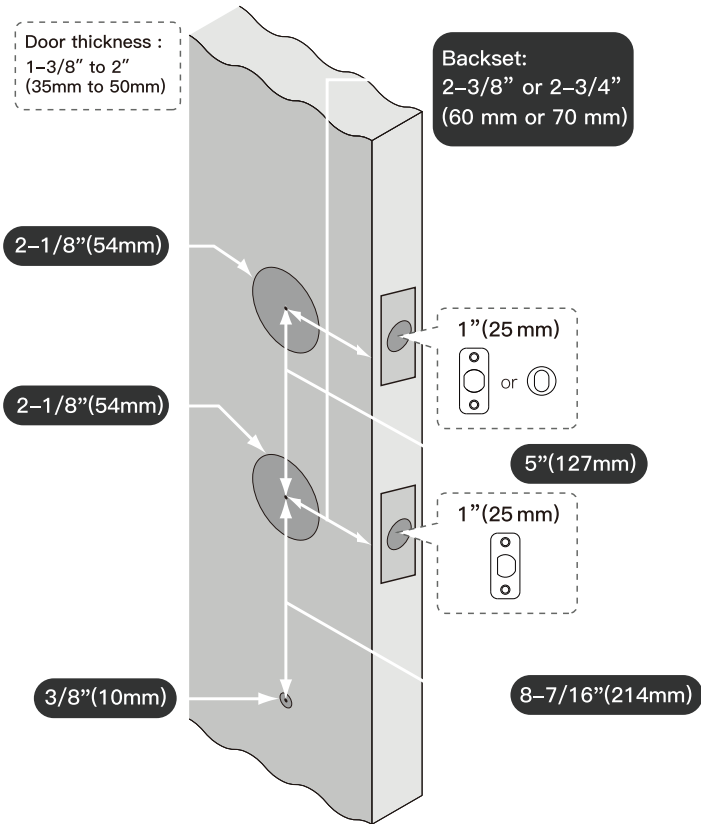
Latch/Strike Screws

i

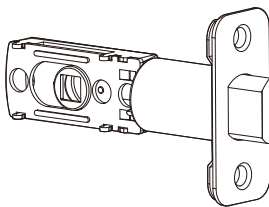
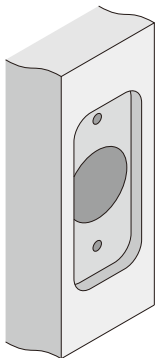


Spacer Screws

# 1. Prepare the door and check dimensions

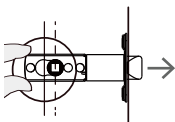
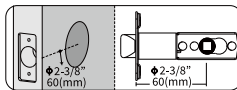
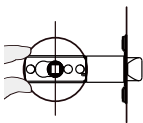
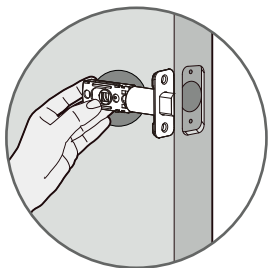


## 2. Choose faceplate

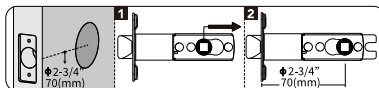


a

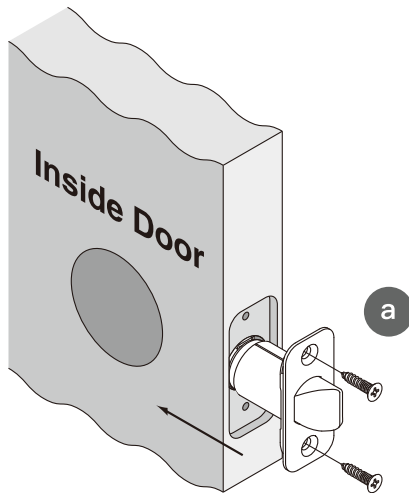
## Is the slotted hole centered in the door hole?



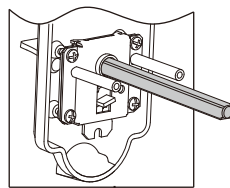
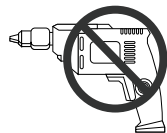
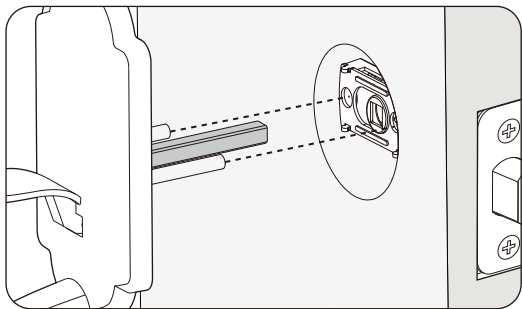
Bolt ships with backset in 2-3/8" (60mm) position. If required, turn the bolt case and pull to extend to 2-3/4" (70mm) backset position.



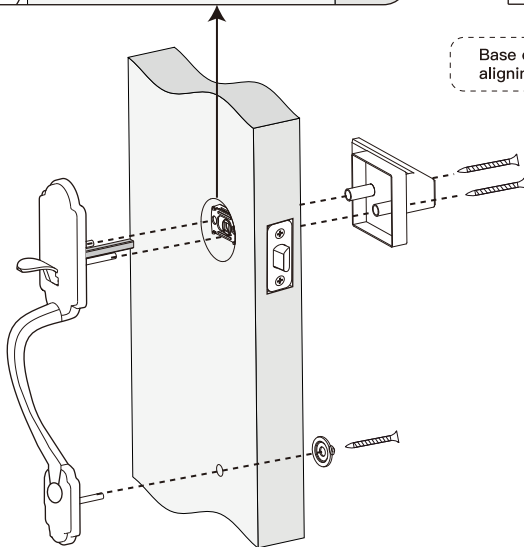
### 3. Install latch



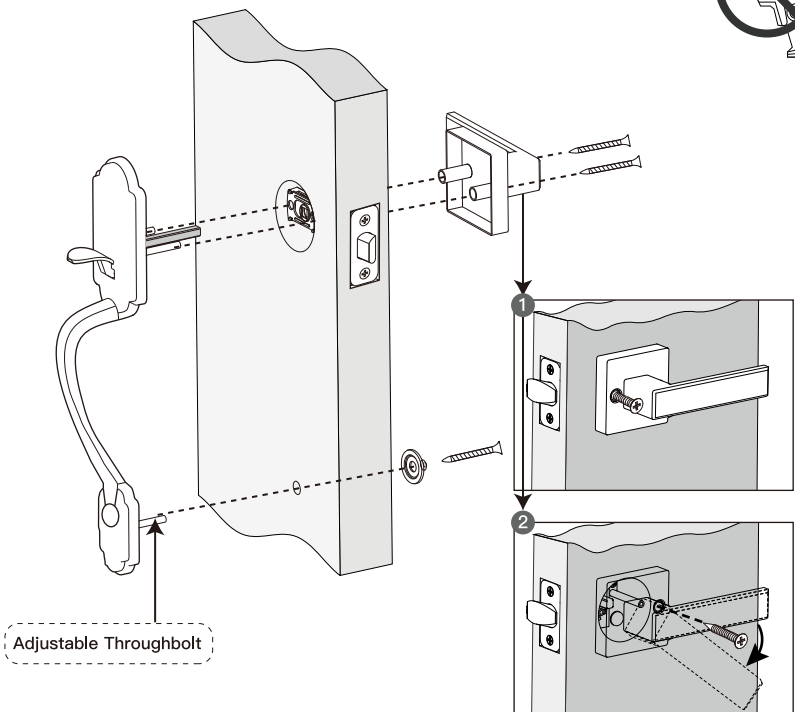
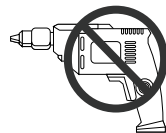
## 4. Install handleset



Base of spindle must be rotated  
aligning to the hole.



## 5. Install lever

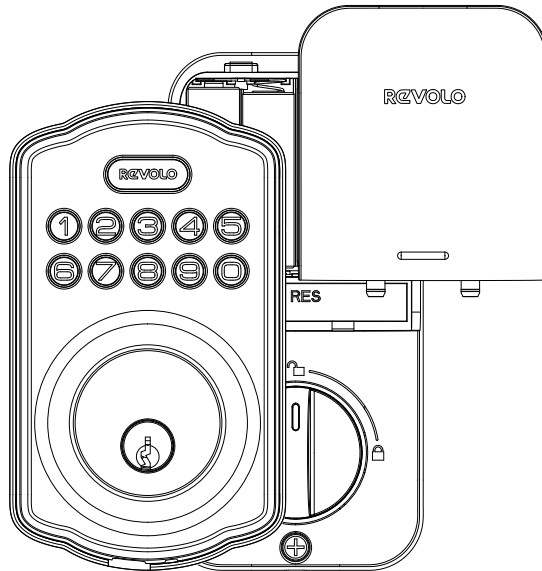


### Test the lock after installation.

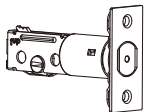
Keep the door opened, retract the latch by pressing knob from outside and pushing the lever from inside of the door to test if the lock works smoothly.

# REVOLVO

## PART B



## B: Parts identification



j

Latch



k

Drive-In Collar



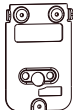
l

Strike



l-1

Reinforcement plate



m

Mounting Plate



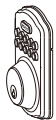
n

Interior Assembly



o

Battery Cover



p

Exterior Assembly



q

Reset Tool



r

Backup Key



s

Mounting Screws



t

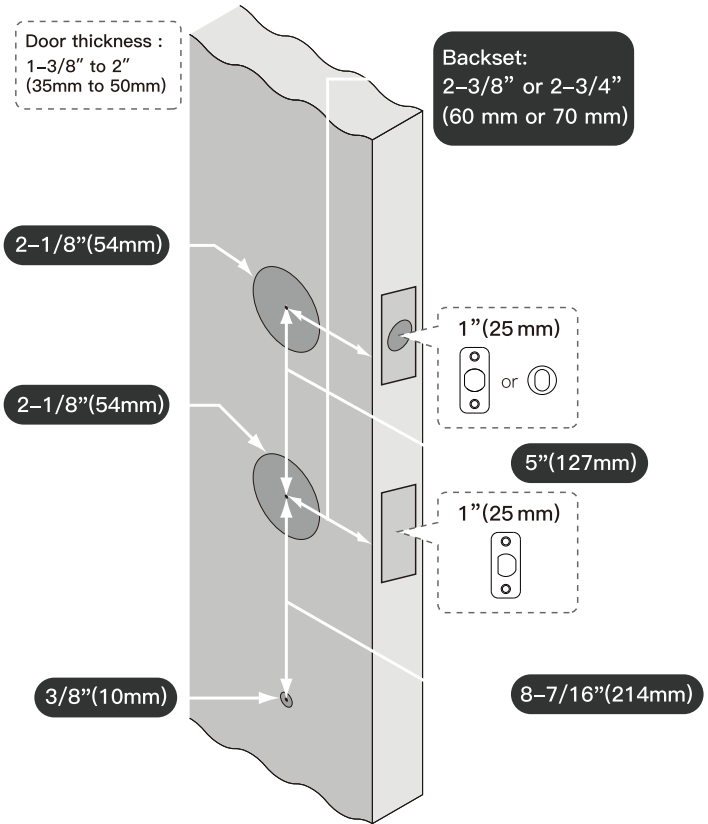
Latch/Strike Screws



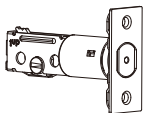
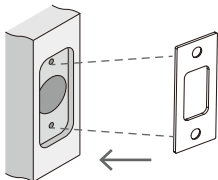
u

Screws

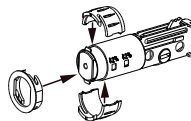
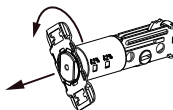
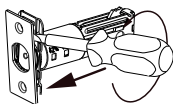
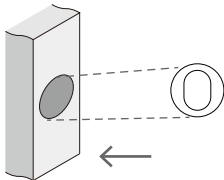
# 1. Prepare the door and check dimensions



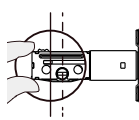
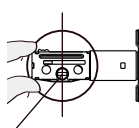
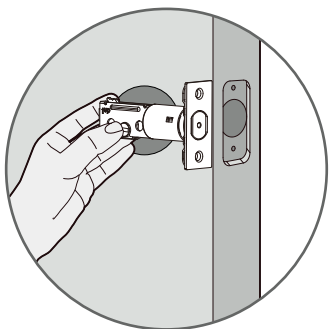
## 2. Choose faceplate



OR



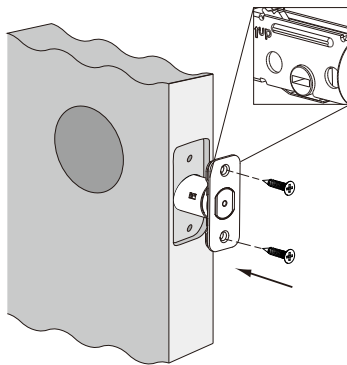
### Is the slotted hole centered in the door hole?



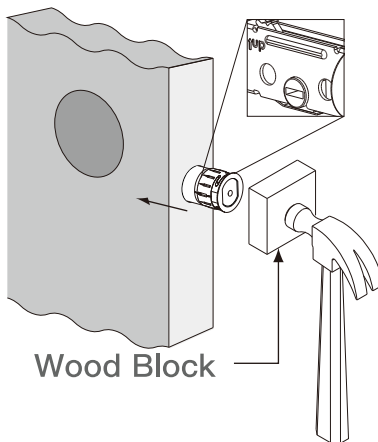
Rotate and pull the latch as shown to extend latch.



### 3. Install latch and deadbolt

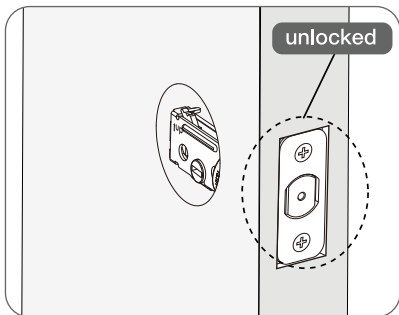
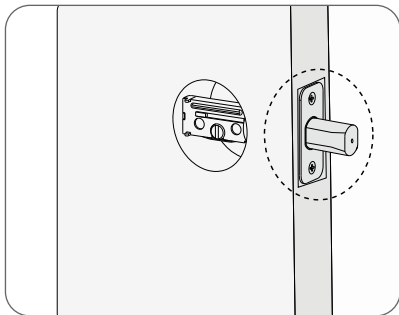


OR

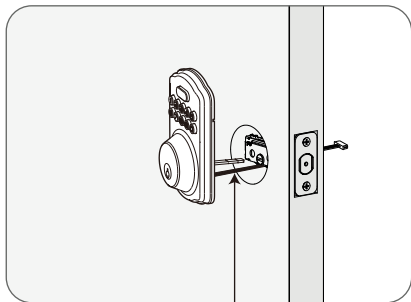




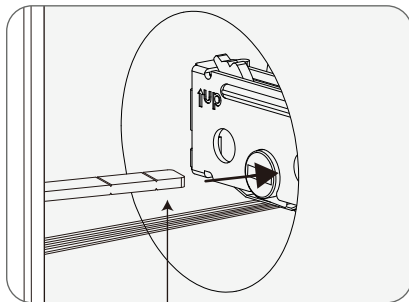
**IMPORTANT:** Keep the latch in unlocked position before installation.



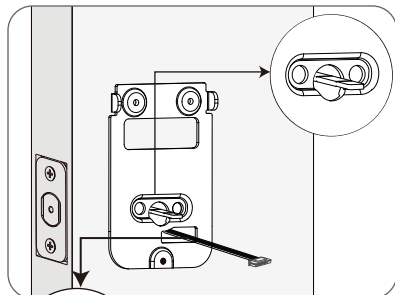
## 4. Install exterior assembly



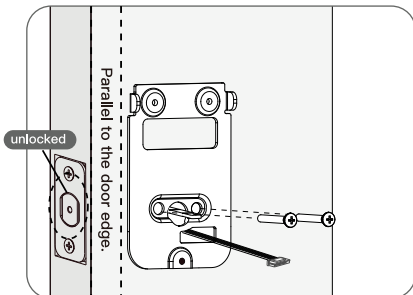
Route the cable below the latch.



**IMPORTANT:** Bolt must be in unlock position.  
Note horizontal orientation of torque blade.



Route the cable through the hole in the mounting plate.

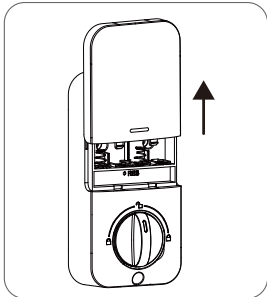


Secure the mounting plate with the supplied screws.

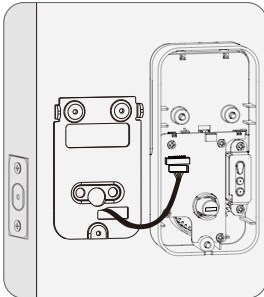
## 5. Install interior assembly



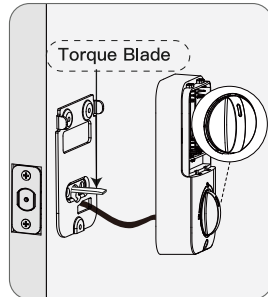
Do not load batteries until lock is completely installed.



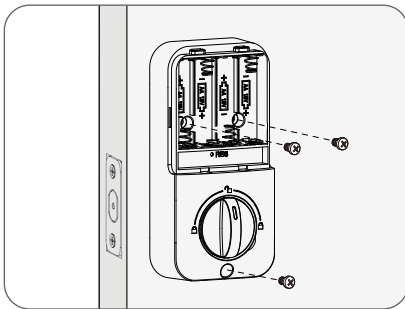
Remove the battery cover.



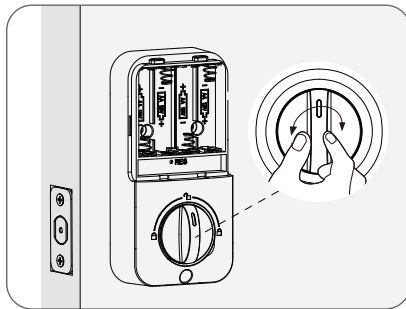
Connect the cable and ensure tight cable connection.



Rotate the Thumb turn in vertical position and insert the horizontal orientation of torque blade into the inside escutcheon.



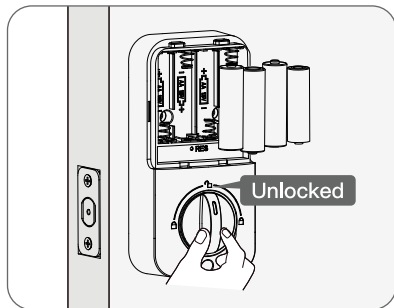
Secure the interior assembly with the supplied screws.



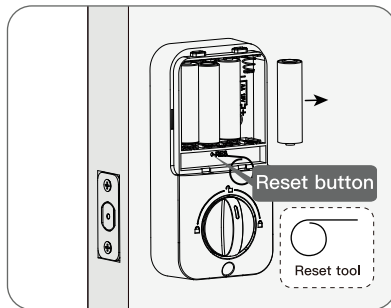
Test the lock by rotating the thumb turn to see if the bolt can be extended and retracted smoothly.

## 6. Restoring Factory Default Setting

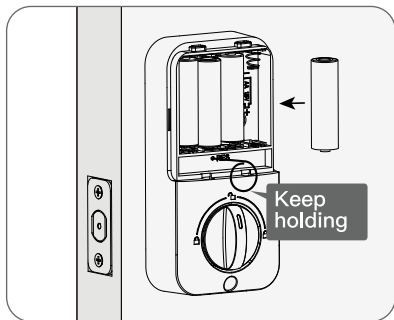
**! IMPORTANT:** This step is required and crucial for the lock after installation!



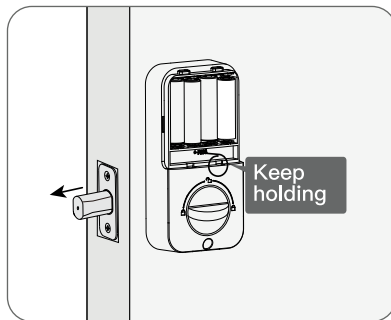
**Step 1** Rotate the knob to unlocked position.



**Step 2** 1.Long press the reset button with a reset tool;  
2.Take out one battery.



**Step 3** Re-install the battery while holding the reset button.



**Step 4** Keep holding the reset button until you hear the sound of "BEEP".

## Restoring Factory Default Setting

SETTINGS	FACTORY DEFAULT
Master code	12345678
Auto lock	Disabled
Silent mode	Disabled
Wrong code entry limit	10 times
Shutdown time	3 mins
Vacation mode	Disabled