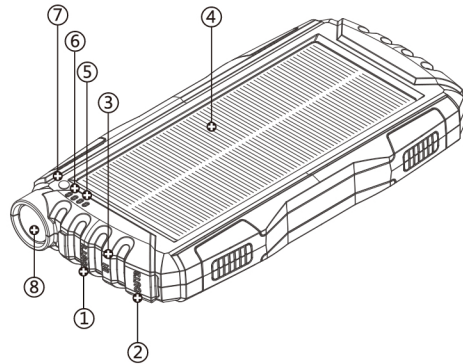


## USER MANUAL

Thank you for purchasing our product. In order for you to use this product safely, please read the instructions carefully before use, and keep this manual for future use.



### Product Structure:

①Output (USB-A1) ②Output (USB-A2) ③Input (Micro) ④Solar panel  
⑤Battery indicators ⑥Solar charging indicator ⑦Switch button ⑧Flashlight

I-01 EN

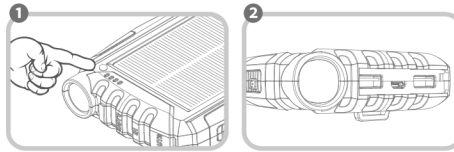
### Product Specification:

- Product Model: YD-819
- Solar Charging: 150×69mm (5.5V/300mA)
- Input (Micro): 5V/2.4A
- Output (USB-A1): 5V/3A 9V/2A 12V/1.5A(18W)
- Output (USB-A2): 5V/3A
- Flashlight LED Power: 2W
- Flashlight lighting distance: 100ft
- Product Size: L195 x W102 x H35(mm)
- Battery Type: Li-Polymer
- LED Brightness: 180Lumen
- Working Temperature: -10°C-50°C
- Product weight: ≈425g

### Instructions for use:

#### 1. How to use flashlight

Long press the button 4S, flashlight on, then long press 4S to turn off the flashlight.



I-02 EN

### 2. LED indicators

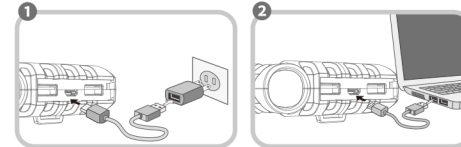
Shortly press the power switch to show the remaining power and charging status:

| Indicator light: | ON   | OFF  | Battery capacity: |
|------------------|------|------|-------------------|
|                  | ●●●● | ●●●● | 0%                |
|                  | ●●●● | ●●●● | 1%-25%            |
|                  | ●●●● | ●●●● | 25%-50%           |
|                  | ●●●● | ●●●● | 50%-75%           |
|                  | ●●●● | ●●●● | 75%-100%          |

### 3. Power bank charging

#### (01) Adapter Recharging

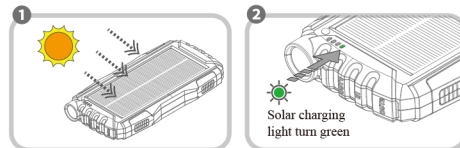
You can use the adapter to charge the power adapter. When charging, the indicator light will flash, and when it is fully charged, all 4 indicator lights will light up.



I-03 EN

### (02) Solar Recharging

Place the product's solar panel in the direction of vertical sunlight (avoid high temperatures, because this could damage the battery), or in an environment with sufficient light, the solar power bank can charge itself without any action required. The solar charging indicator light will be always green when solar powered, and when battery is fully charged, the four power indicator lights are all light up. The solar charging should only be used for emergency power. If you can, use the wall plug in daily life.



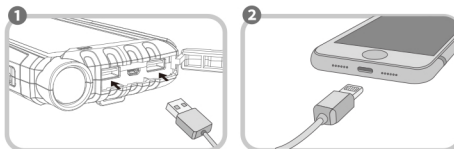
### ⚠ Please Note:

The output power of a solar panel depends on factors such as solar irradiance and solar panel temperature, and is limited by natural conditions such as day and night, season, geographic latitude and altitude, and random factors such as sunny, cloudy, cloud, and rain. The irradiance of the sun reaching a certain ground is both intermittent and unstable. When the solar panel is facing the sun, the time is between 10 am and 3 pm, the atmospheric mass is AM1.5, and the light intensity is 1000W / m<sup>2</sup>. The temperature is 25°C. Under this condition, the maximum power output by the solar panel is also called the peak power.

I-04 EN

### 4. Power delivery for digital devices

This power bank has 2 USB-A output port, The cell phone can be connected to any one of the output. When the LED indicator light up, it means the cell phone device is charging. When the device is fully charged, the power bank will automatically switch off to save battery.



I-05 EN

### Precautions:

- For the first use, please fully charge the product.
- If the product has abnormalities such as battery expansion, leakage, deformation, water immersion, or short circuit, stop using it immediately.
- Do not drop or use this product in high temperature, humid, strong magnetic environment.
- Keep this product out of the reach of children.
- Do not leave this product in the car, the closed high temperature environment will cause damage to this product.
- When charging is completed, please unplug the connection line in time to avoid loss.
- When the product enters the protection state due to short circuit, over-discharge, etc. (the performance is that the product has no output), it can be reactivated by shortly pressing the switch button. If it is invalid, please connect to the external power adapter for charging to recover.
- Do not use an all-in-one data cable to charge multiple devices at the same time to prevent damage to the devices.
- This product has a built-in over-temperature protection function. When the ambient temperature exceeds the normal use temperature range, over-temperature protection may occur. At this time, just move the product to the normal use temperature environment and click the button to restore the output.
- If the mobile power supply is not used for a long time, over discharge may occur. In order not to affect the performance of the mobile power supply, please fully charge and discharge the mobile power supply at least every 3 months.

### Warning:

- This product contains lithium-ion batteries, the unauthorized open shell product, to avoid possible damage caused by cell or other hazards.
- Never disassemble, crush, puncture, short product, or fire or exposed to temperatures above 60 °C environment, to avoid fire hazard.

I-06 EN

### Thank you for your purchase!

#### Dear buyer:

Thank you for your purchase! As a reliable seller, I am committed to providing products and services which make all customers satisfied! Hence, I sincerely hope that such shopping experience can give you a happy memory.

Although your satisfaction is our purpose, some unforeseen circumstances may occur inevitably. Contact us immediately if you aren't satisfied with our products, you want to offer any suggestions, or you have other requirements on our services!

We promise to try our best to offer a satisfied solution as soon as possible  
(our email : [szjt5201314@163.com](mailto:szjt5201314@163.com)).

All the very best wishes to you.  
A sincere seller

I-07 EN