



ApexDesk™

ELECTRIC HEIGHT-ADJUSTED SIT TO STAND DESK

71"/60" Elite Series Assembly Guide

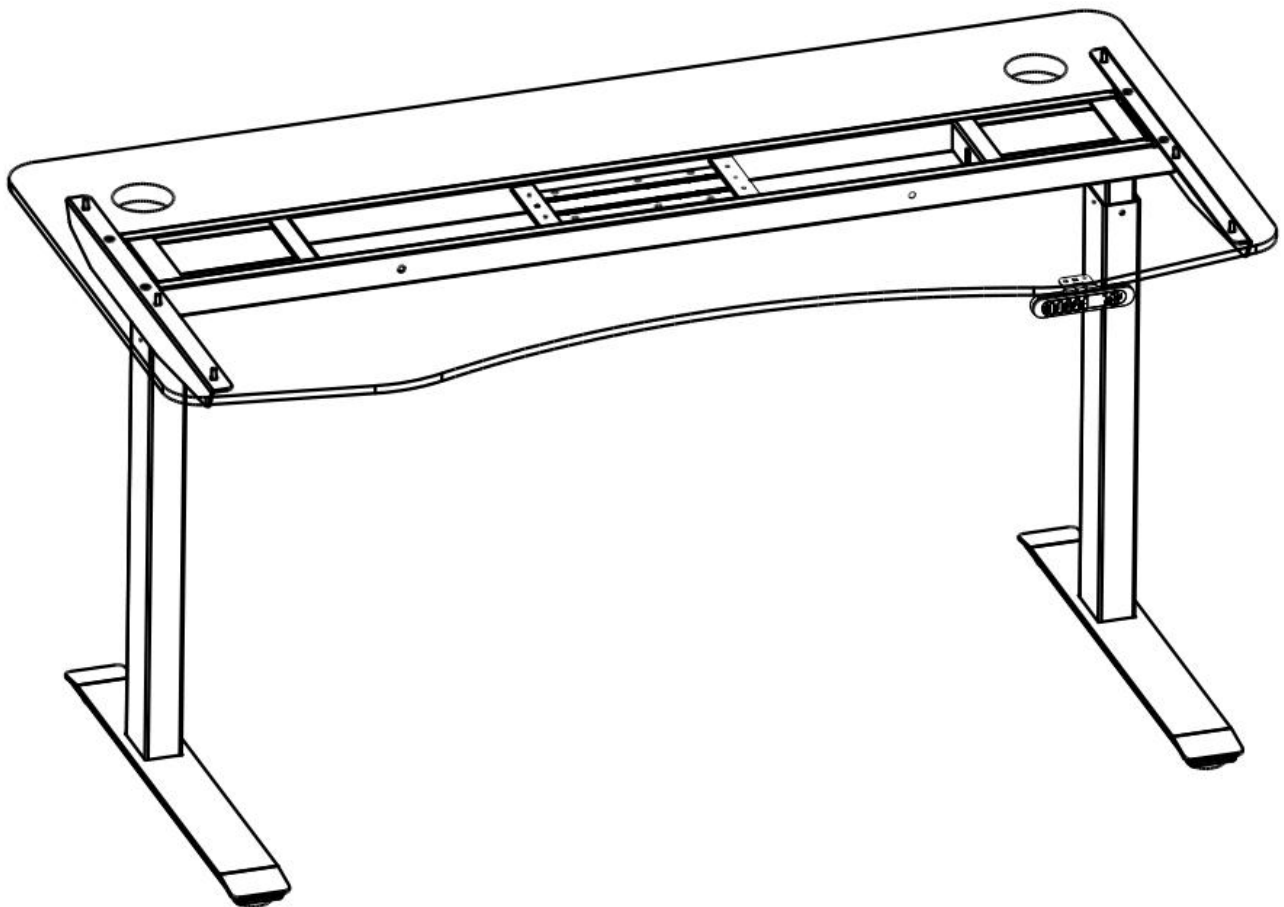


Table of Contents

<i>CAUTION, USE & LIABILITY</i>	3
<i>PARTS & HARDWARE LIST</i>	4
<i>PARTS / COMPONENT DIAGRAMS</i>	5
<i>ASSEMBLY INSTRUCTIONS</i>	6
<i>TROUBLESHOOTING</i>	15
<i>ERROR CODE</i>	16
<i>SPECIFICATIONS</i>	19
<i>WARRANTY INFORMATION</i>	20

CAUTION, USE & LIABILITY

CAUTION

Make sure no obstacles are in the desk's path. Make sure the desktop is not touching any walls. Make sure all cords are of appropriate lengths to accommodate the change in desk height.



Read and understand this manual before attempting to install or operate.



This product is not intended for use by young children or for those who require supervision



Do not sit or stand on the desk. Do not crawl or lie under the desk.



Do not place any objects taller than 20" underneath the desk.



Do not open any of the components – lifting columns, control box, or controller. There is a risk of electric shock.




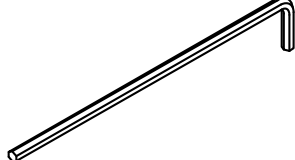
This desk must be INITIALIZED before first use.

USE & LIABILITY

This sit-to-stand adjustable desk has electric motors and is designed for use in an indoor environment and dry work areas only. The desk height is adjustable so that it can be positioned at the most suitable height. Any other use is at user's risk. Under no circumstances does the manufacturer accept warranty claims or liability claims for damages caused from improper use or handling of the desk.

PARTS & HARDWARE LIST

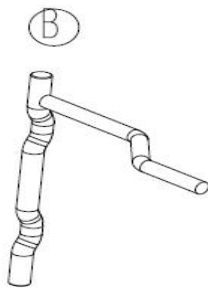
TOOLS REQUIRED

 Allen wrench 4mm x 1	 Allen wrench 5mm x 1
---	--

HARDWARE INCLUDED



14PCS
M6×16 Dome Head



4PCS
φ 8×135mm



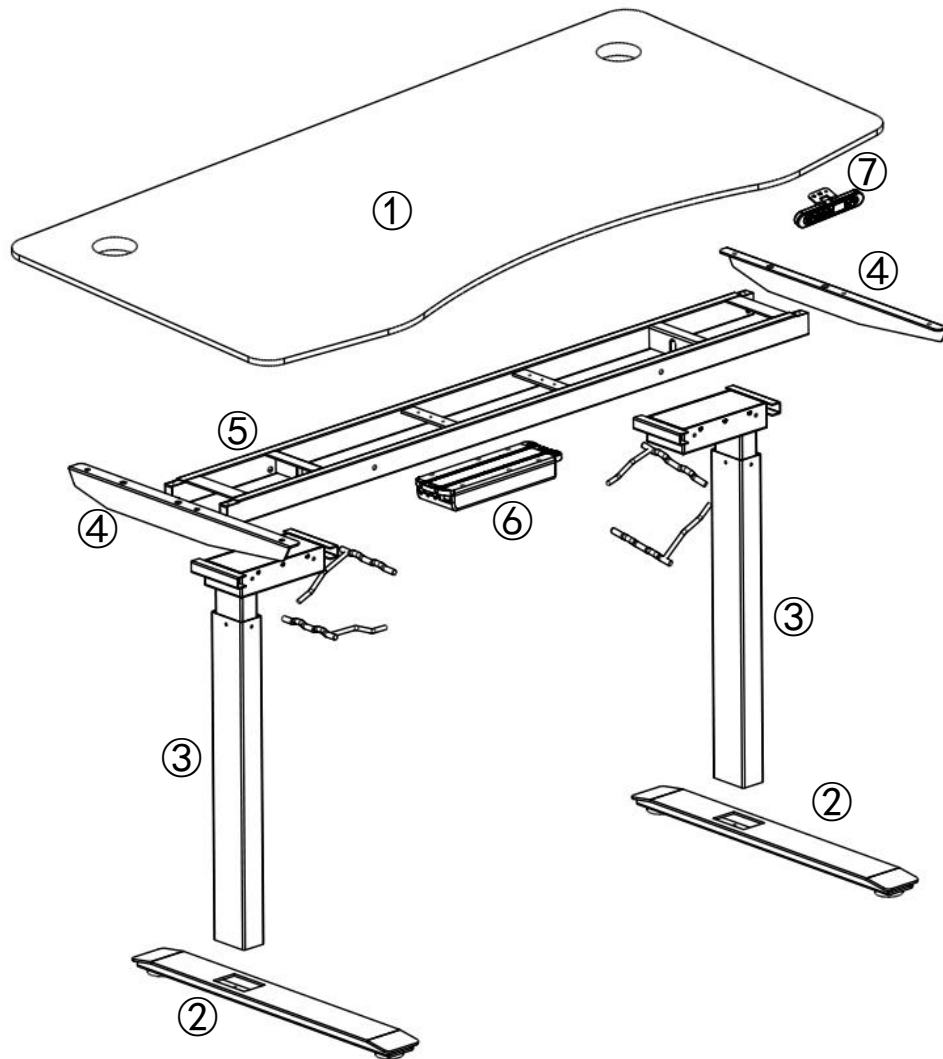
3PCS
M5×10



4PCS
M6×16 Flat Head

No.	Usage	Qty
A	8 for securing feet to lifting column, 6 for securing top	14
B	L-shaped locking lever for securing legs to crossbar	4
C	Secure control box to crossbar	3
D	Secure upper supports to crossbar	4
E	Secure controller to tabletop (Not pictured. Packaged w/ controller)	2

PARTS / COMPONENT DIAGRAMS



No.	PARTS / COMPONENT LIST	Qty
1	Desktop	1
2	Foot	2
3	Lifting column (leg)	2
4	Top support bracket (upper support)	2
5	Beam (crossbar)	1
6	Control box	1
7	Controller	1
8	Power cord (not pictured)	1
9	Motor Cables (not pictured)	2

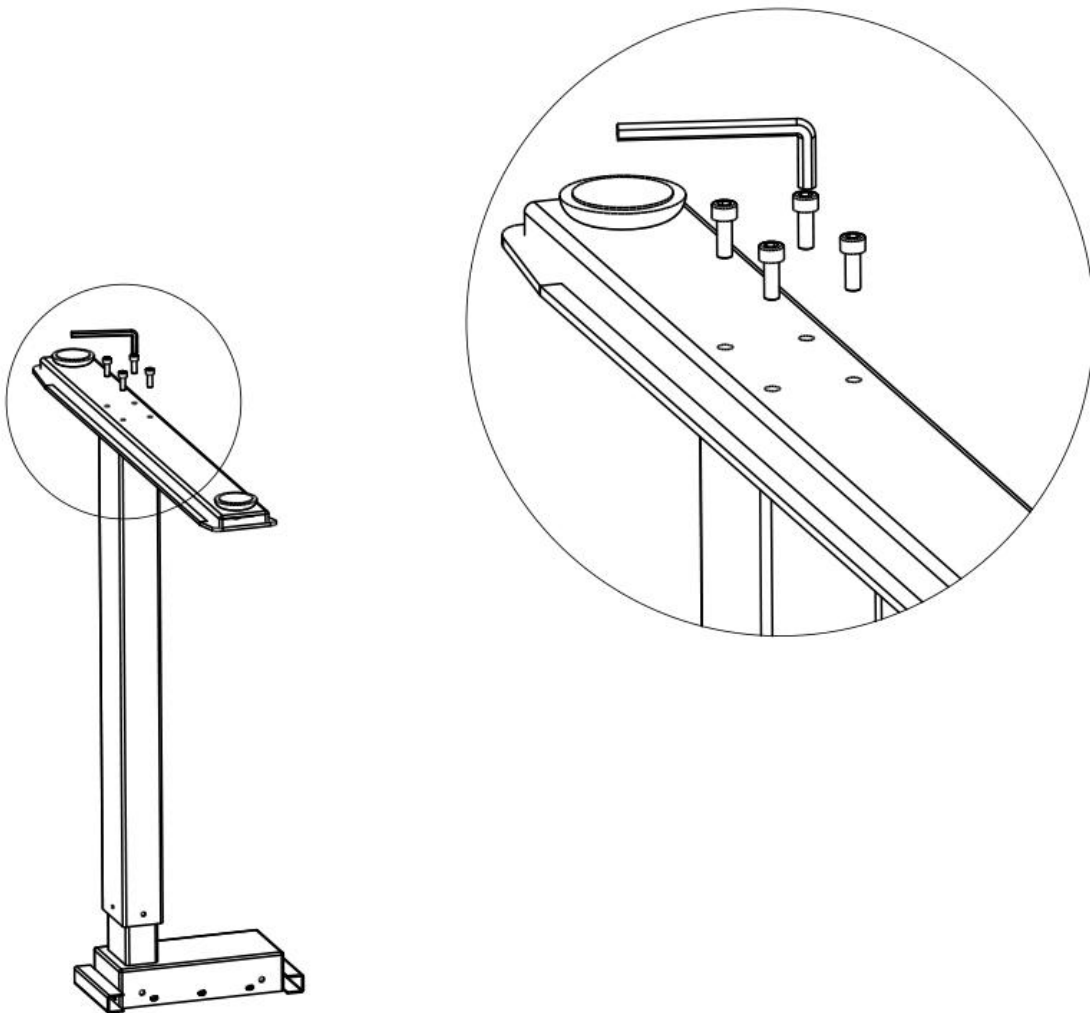
ASSEMBLY INSTRUCTIONS

BEFORE YOU BEGIN

1. Check all components and hardware to ensure that you have everything listed on Page 4 and 5. Don't contact retailers for missing parts. Contact manufacturer directly. Email to support@apexdesk.com (24 hours) or call 877-516-3375 (10a to 4p PST M-F). Missing parts are normally shipped within 24 hours from Los Angeles.
2. Assemble on soft and non-abrasive surface to avoid scratch or damage to the desktop.

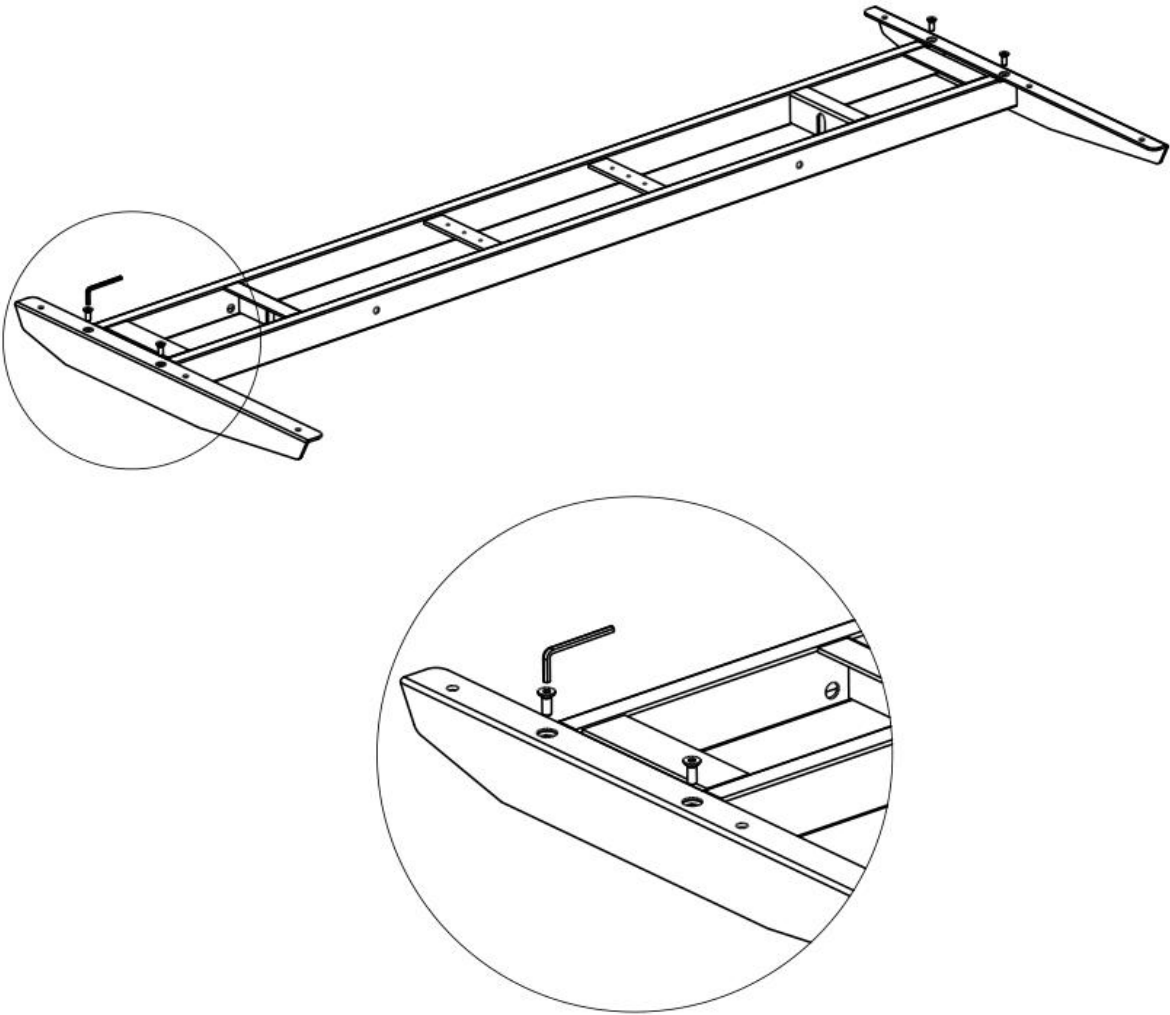
STEP 1

Use 5mm Allen wrench to secure feet to column with four Screw A on each side.



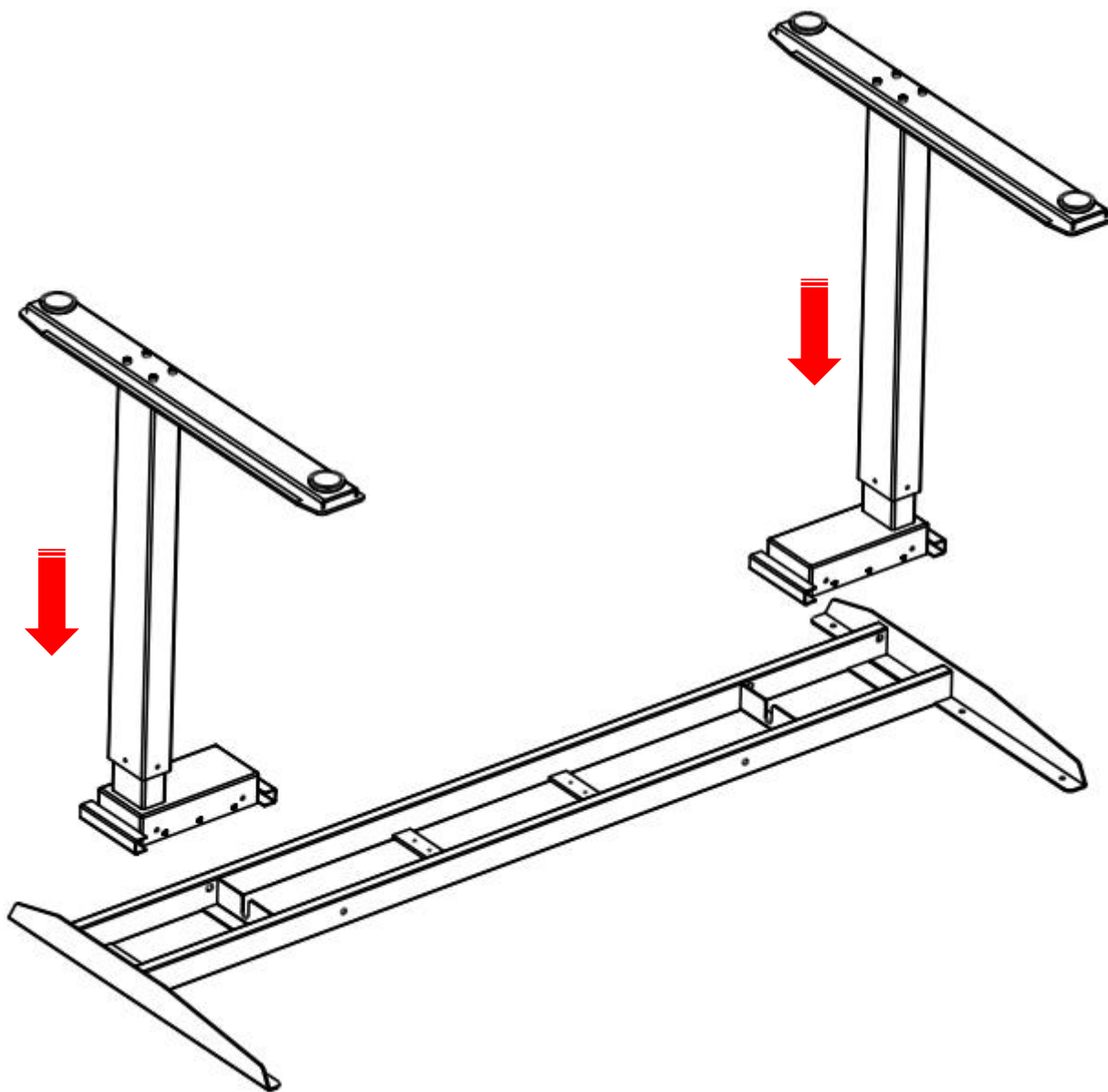
STEP 2

Use 4mm Allen wrench to secure top support brackets to beam with two Screw D on each side.



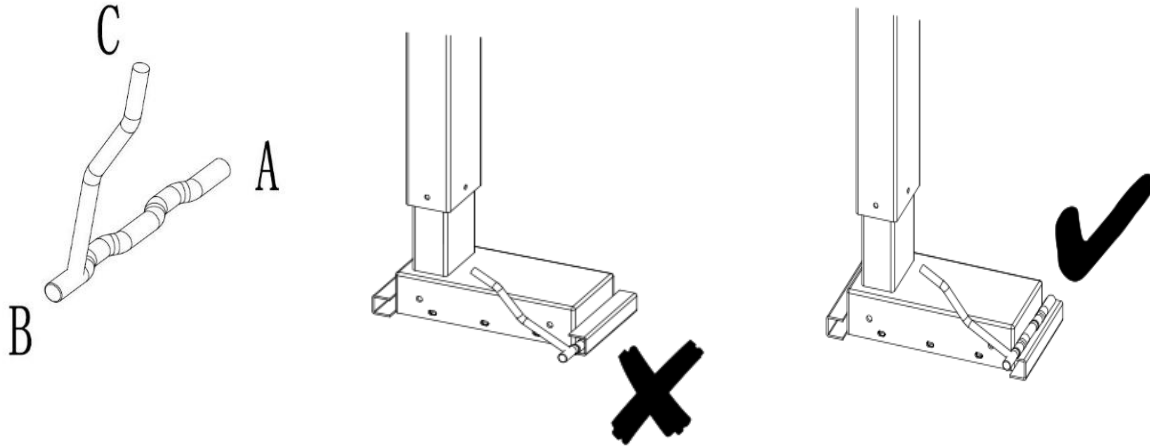
STEP 3

Turn assembled beam over. Place assembled lifting columns from Step 1 into the beam. The lifting columns are not centered in relation to feet. Make sure the longer end of foot match that of upper support.



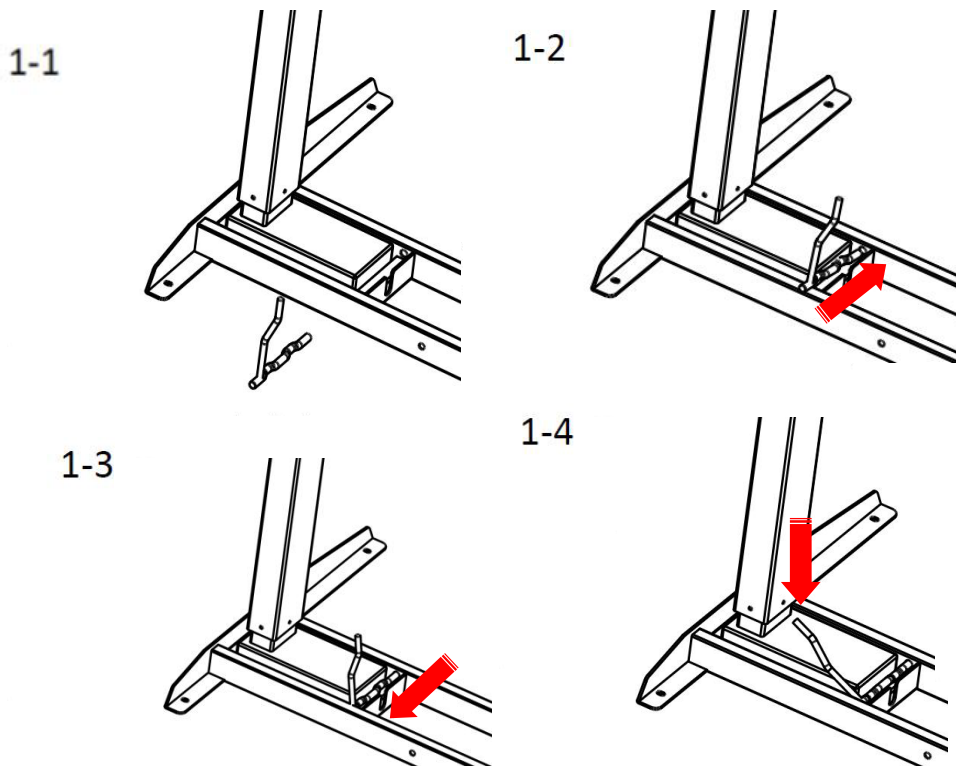
STEP 4

On the **inner side** of beam, there are eight holes – two for each locking lever. Each lifting column is to be secured by two locking levers. Each locking lever has a shorter bar aka axle (A to B measuring 5.55”) and curved longer bar AKA handle (B to C 6.14”).



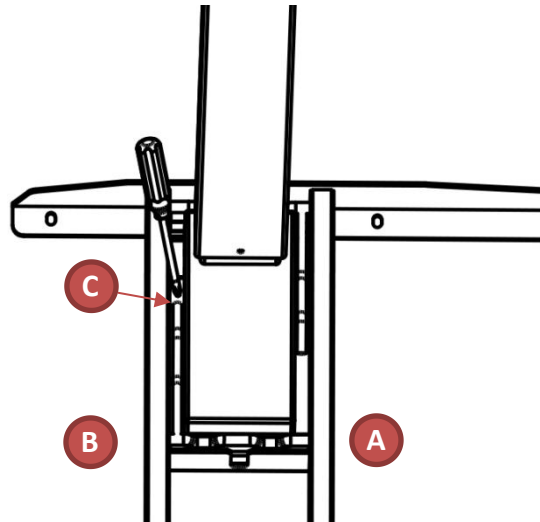
Pls note the levers stay outside. Don't thread thru the hole.

Following diagrams illustrate how each leg is secured to the crossbar



STEP 4 – CONTINUED

- 1-1 Place leg into crossbar
- 1-2 Insert A end of locking lever into the hole
- 1-3 Slide locking lever all way to the left and insert B end into the hole
- 1-4 Press C end to clamp down.

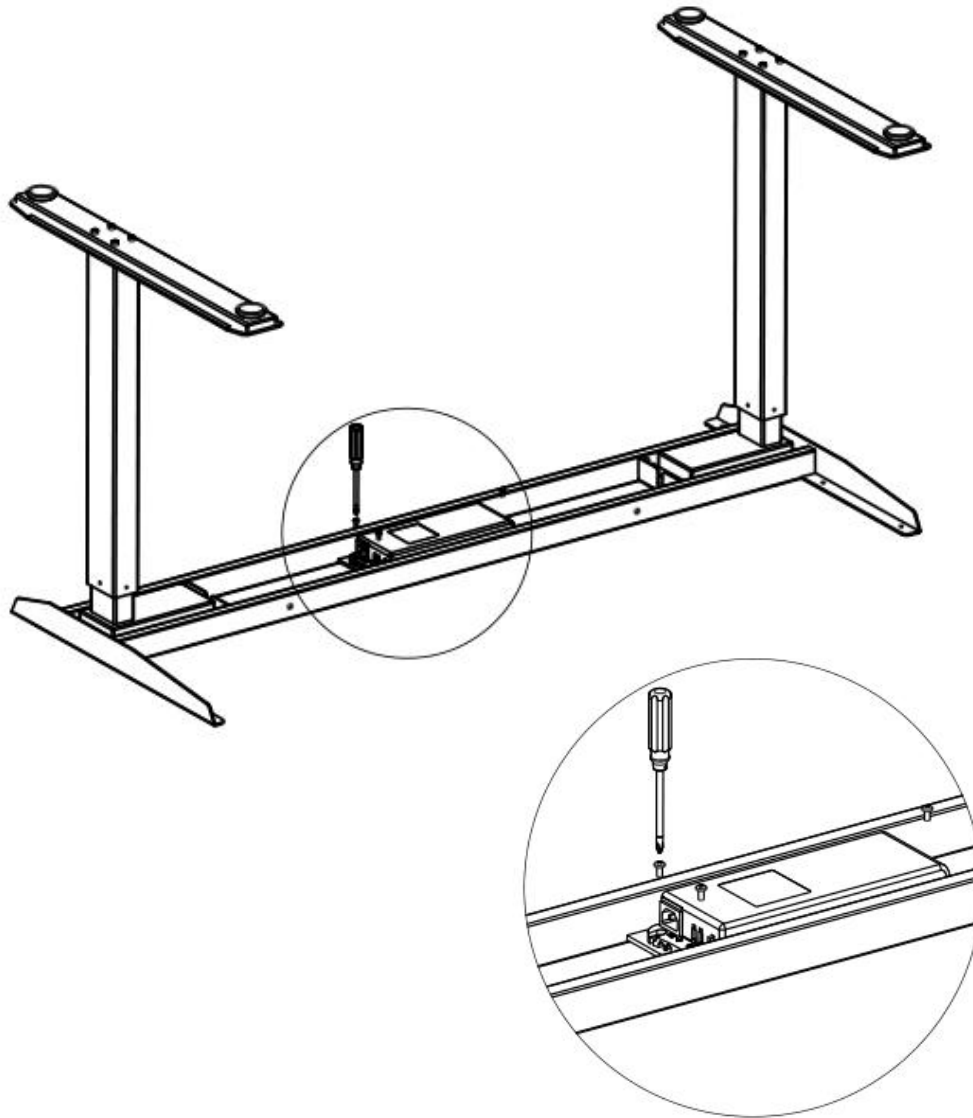


With both A and B ends into the holes, push the handle C down with your hand toward the lifting column. You should feel some pressure while pushing it down. Once the handle is flush with the beam, use a tool such as a flat-head screwdriver to push it further down.

⚠ *Each lifting column requires two locking levers to secure it correctly. It is normal that you feel more pressure on one handle than the other when pushing levers down. Shake the lift column with your hand when both levers are installed and make sure each lifting column is tightly secured and does not wiggle.*

STEP 5

Use Phillips screwdriver to secure control box with two Screw C on one end and one Screw C on the other end.

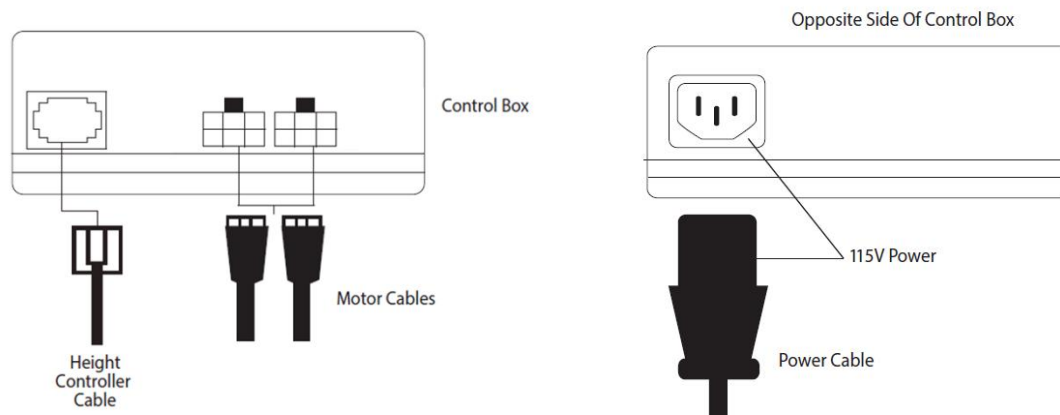


The above drawing illustrates the mounting position of control box if controller is mounted on the right-hand side. If you want controller to be installed on the left hand, simply reverse the control box. Please note that two pilot holes for controller are only pre-drilled on the right-hand side not on the left-hand side of the desktop.

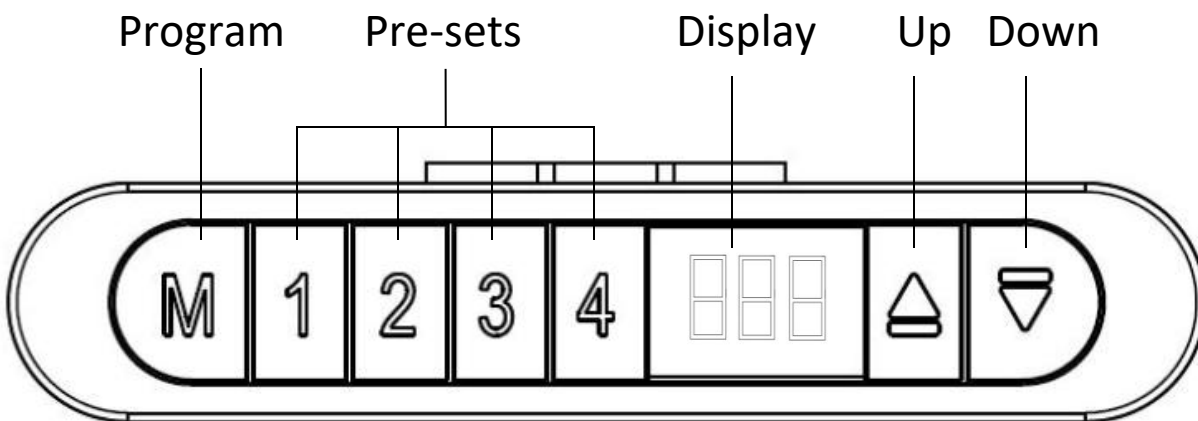
STEP 6

Now that you have completed the assembly of underframe, it is a good idea to initialize the desk and make sure everything works before mounting the top to the underframe.

1. Connect height controller cable to the left plug on control box.
2. Connect motor cables to control box. Motor cables can be connected to either port and interchangeably. Switching cables from one port to another may be needed when troubleshooting. Please refer to trouble-shooting section for details.
3. Plug power cord to control box.
4. Plug power cord to a power outlet



STEP 7: INITIALZE DESK



DESK MUST BE INITIALIZED BEFORE YOUR FIRST USE, and may need to be re-initialized (reset) from time to time to for desk to work properly. Please note that a reset requires more than just a simple power-off and power-on.

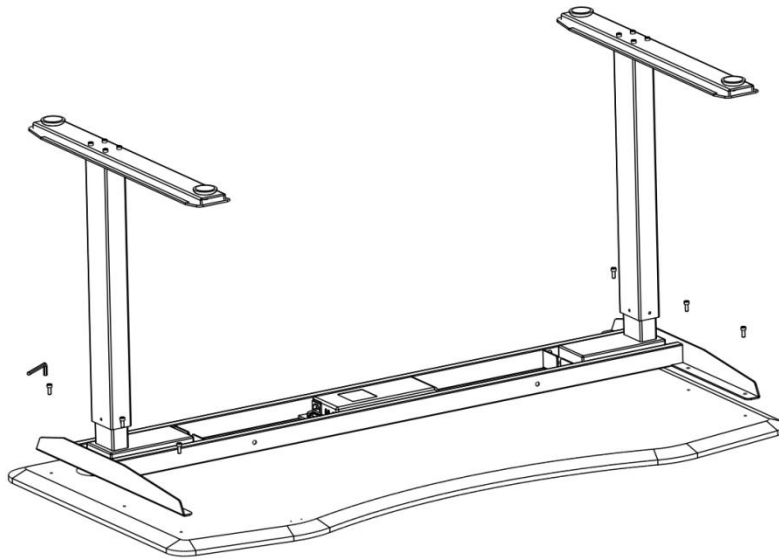
Press and hold UP and DOWN arrow buttons until blinking 000 appears on the display, and then release both buttons. The desk will first go to the lowest position, then the highest position and finally stops in between. The initialization is complete when number 38 (+/- 1) appears on the display. Your desk is now ready to use.

HOW TO PRESET HEIGHT

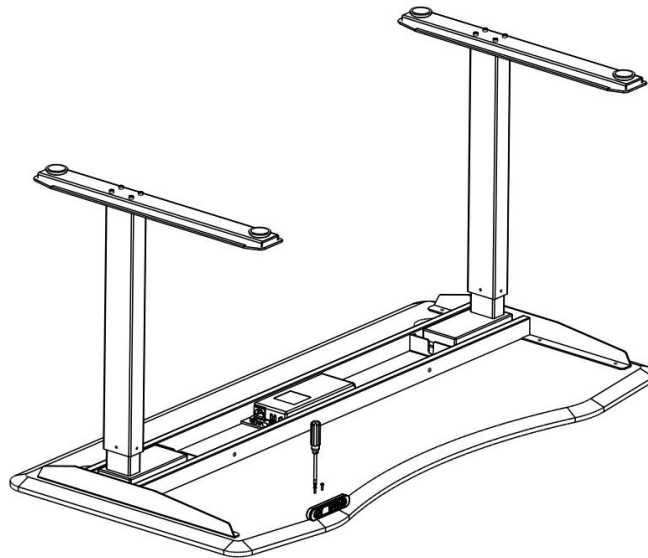
You can preset up to four positions. Use UP or DOWN arrow buttons to move desk to your desired position. Press M and one of the number buttons together for about 3 seconds until displayed height starts blinking, and then release both buttons. To go to your preset height, simply press the number button **TWICE** or press and hold the button.

STEP 8

This step is a two-person job. Carefully move the assembled frame onto desktop.



Align the holes on the support brackets to those pre-installed anchors on the top. Secure each side with three Screw A. Adjust leveling studs on the feet. Make sure the stubs make solid contact with the floor.



Use a Philips screwdriver to secure controller to the pre-drilled holes on the bottom of the top with two Screw E. Pilot holes are only pre-drilled on the right-hand side. Use a power tool to drill new holes if you wish to mount in a different position.

TROUBLESHOOTING

Issues(s)	Solution
Desk does not go up or down	Check all connections. Make sure wall outlet has power and power cord is plugged firmly into control box and controller lights up. Reset desk. If problem persists, switch motor cables from one port to another at control box and attempt another reset. Report error code(s) to dealer for further assistance.
Columns do not go up evenly	Unplug the power cord and re-plug after 10 seconds. Reset desk. If problem persists, switch motor cables from one port to another at control box and attempt another reset. Report error code(s) to dealer for further assistance.
Desk wobbles excessively	It is normal that desk wobbles slightly at standing height. Make sure all the screws are tightened and adjust leveling studs if the floor is uneven.
Desk is unusually noisy	It is normal that the desk is noisier when one stage extends into the other. Apply silicon- based lubricant if it is unusually noisy.

RESET may be needed from time to time in events like long-time no-movement, uneven movement, sudden power outage, over-load, overheat and etc. Most issues get resolved with a reset.

For most electronic devices, reset is simply a power-off and a power-on. This desk has dual motors. The reset involves more than a conventional power-off and power-on as both motors need to be synchronized. Press and hold both UP and DOWN arrow buttons, and release both buttons when flashing 000 appears. The desk will first go to the lowest position, then the highest position and finally stops in between. The reset is complete when number 38 (+/- 1) appears on the display.

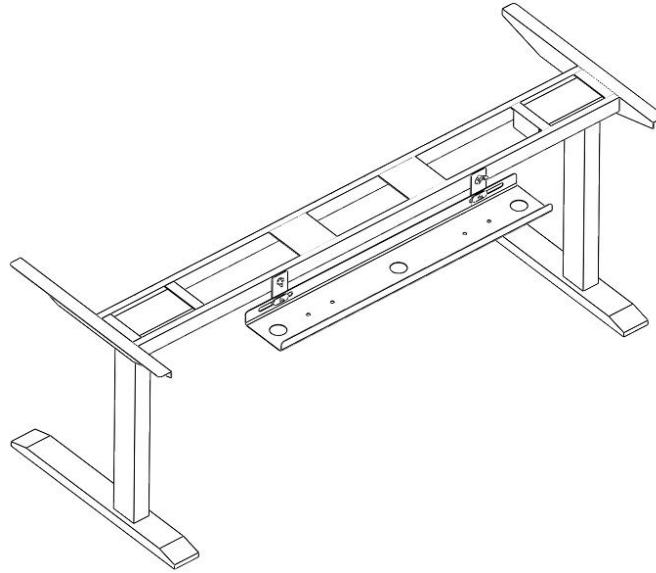
ERROR CODE

Error Code	Solution
- - -	Desk not initialized. Reset desk.
E0	Control system malfunction. Contact dealer.
E1	System failure. Contact dealer.
E3	Starting current exception. Unplug power and re-plug after 10 seconds. Reset desk. Contact dealer if problem persists.
E4	Power supply failure. Contact dealer.
E5	Desk not synchronized. Unplug power and re-plug after 10 seconds. Reset desk. If problem persists, switch motor cables at control box and attempt another reset. Motor failure if error code changes to E9.
E6	Motor A stalled. Unplug power and re-plug after 10 seconds. Reset desk. If problem persists, switch motor cables at control box and attempt another reset.
E7	Motor B stalled. Unplug power and re-plug after 10 seconds. Reset desk. If problem persists, switch motor cables at control box and attempt another reset.
E8	Motor cable malfunction or loose connection. Check all connections and inspect cables any physical damage.
E9	Desk not synchronized. Unplug power and re-plug after 10 seconds. Reset desk. If problem persists, switch motor cables at control box and attempt another reset. Motor failure if error code changes to E5.
E11	Anti-collision protection activated prematurely. Reduce sensitivity or turn off anti-collision function.

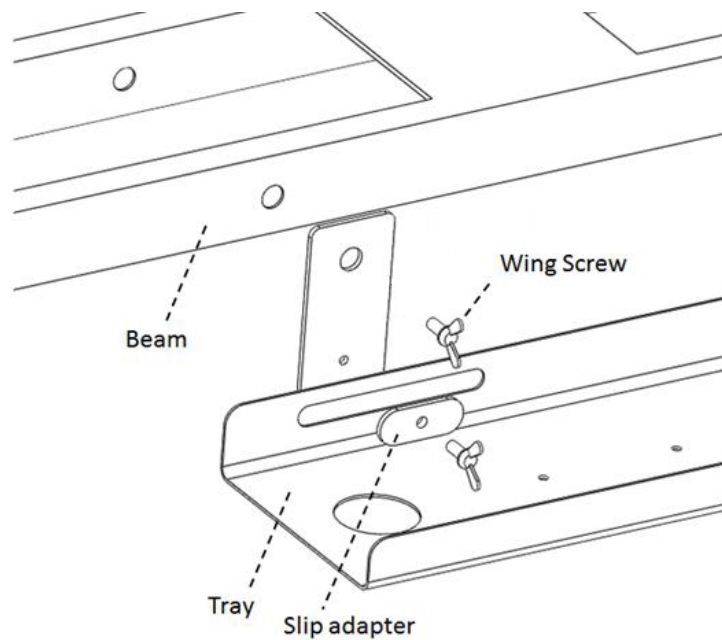
INSTALLING CABLE MANAGEMENT TRAY

Sold separately at Apexdesk.com

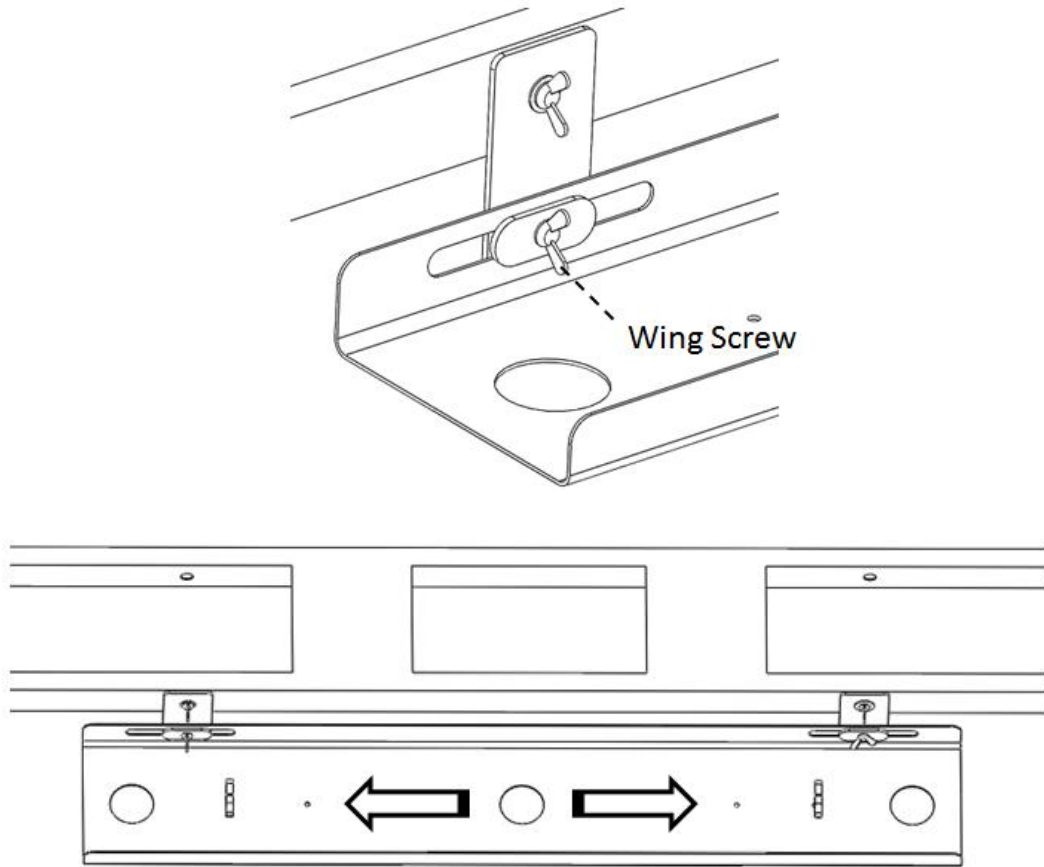
Item # CMT7133-BLACK & CMT7133-WHITE



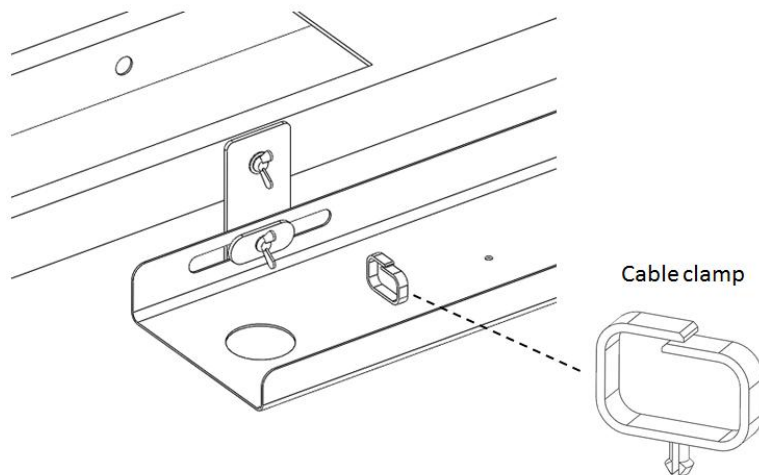
Step 1: Locate two screw holes on the backside of the beam and mount the tray as illustrated below with two wing screws.



Step 2: If adjustment is needed, loosen the screws below, slide the tray to the left or right and tighten the screws.



Step 3: Insert two cable clamps



SPECIFICATIONS

Height range without desktop	29" - 48"
Noise Level (dB)without Load	<50dB
Max Load Capacity	245 Lbs
Speed at Full Load	1.3" /per second
Input (VAC)	100-240V
Lowest position	29"
Highest position	48"
Frame Width	71" Model: 66.7 60" Model: 55.7"
Foot Length	680MM / 26.8"
Overload Protection	Yes
Controller Type	Memory with 4 presets
Anti-collision	Yes (Factory default is off)
Net/ Gross Weight	Motor: 31.1/ 34.6 lbs 71" Frame: 38/41 lbs 60" Frame: 34/37 lbs
Package Dimensions	Motor: 32.8"x15.1"x 6.9" 71" Frame: 68"x12"x2.7" 60" Frame: 57.5"x12.8"x3.3"

WARRANTY INFORMATION

SCOPE OF WARRANTY

Apex Furniture LLC (“ApexDesk”) warrants to the original purchaser its new desk (except for components not warranted under “Exclusions”) manufactured by ApexDesk to be free from defects in material and workmanship under normal use and service. ApexDesk’s obligation under this warranty is limited to the repair or replacement, at ApexDesk’s sole option, of the parts or products the defect of which are reported to ApexDesk within the applicable warranty period and which, upon examination by ApexDesk, prove to be defective.

APPLICABLE WARRANTY PERIOD

The applicable warranty period, measured from the date of delivery to the original user, shall be two (2) years on electric parts, five (5) years on non-electric parts.

EXCLUSIONS

This limited warranty does not cover and ApexDesk shall not be liable for the following: (1) repairs and replacements because of misuse, abuse, negligence, alteration, accident, freight damage, or tampering; (2) products which are not installed, used, stored and properly cleaned as required in the ApexDesk “Assembly Guide” for this product; (3) products considered to be of a consumable nature; (4) Shipping to or from repair center; (5) accessories or parts not manufactured by ApexDesk; (6) charges by anyone for adjustments, repairs, replacement parts, installation, or other work performed upon or in connection with such products which is not expressly authorized in writing in advance by ApexDesk.

EXCLUSIVE REMEDY

ApexDesk’s only obligation under this warranty is the repair or replacement of defective parts. ApexDesk shall not be liable for any direct, special, indirect, incidental, exemplary, or consequential damages or delay, including, but not limited to, damages for loss of profits or loss of use.

CONTACT INFORMATION

Apex Furniture LLC (“ApexDesk”)
18467 Railroad Street, City of Industry, CA 91748
Email: support@apexdesk.com
(877) 516-DESK
www.apexdesk.com

For technical assistance, please send email to support@apexdesk.com.