

Cleaning and Maintenance

Unplug the coffee warmer and allow the heating surface to completely cool before cleaning.

1. Do not clean this product with a water spray or the like.
2. Use a damp cloth to wipe down the surface of the coffee warmer. Dry immediately with a clean, dry cloth.
3. **Do not** immerse the coffee warmer in water or liquids.

Common Troubleshooting

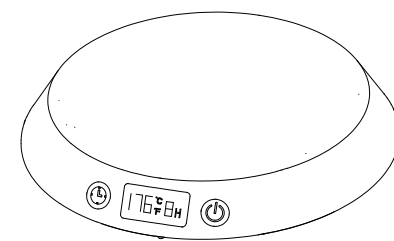
1. Unable to turn on:
Please try to unplug, wait for a while and then replug, turn on the power button.
2. Setting changes automatically or hard to turn on:
Please check if there is any water or liquid on or around button, please clean it and try again.
3. Feel smell:
If you are sensitive you may feel a little smell at the beginning of use. But no worry, it is normal and safe, nothing melted.
4. If these tips still can not solve your problem, please do not hesitate to contact seller for help.

Q&A

1. How long does it take to heat the drink?
This product is mainly used for keeping drinks warm, rather than heat up beverage quickly, so it usually takes about half an hour to an hour or even longer to heat cold drinks.
2. Do I need to wait till 4 hours to automatically turn off coffee warmer?
No, you can always turn it off manually.

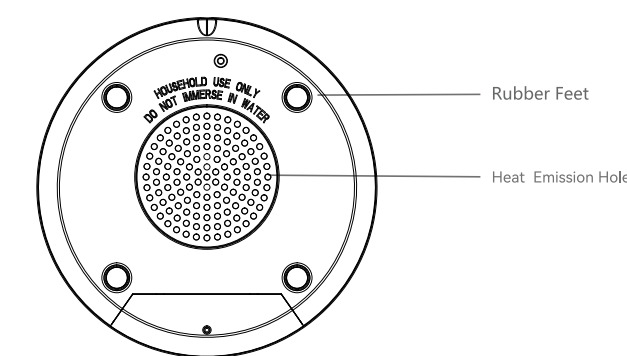
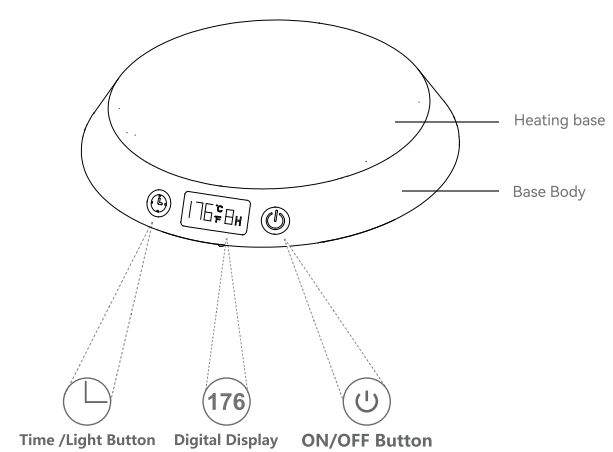
Coffee Mug Warmer

User Manual
DS1213



Before operating the coffee mug warmer, please read these instructions completely and save carefully.

Getting to know your coffee mug



1. Wipe the water at the bottom of the cup before use, do not immerse the unit, cord, or plug in water or other liquid.
2. Simply plug the cord, place cup in the middle of the heating plate, and press the power button to turn it on.
3. Place cup in the middle of the heating plate, and the unit starts to work.

4. Choose working modes:

- 1) Press the power button once: the light turns to red (High temperature setting). The screen shows 176° F and it keeps the temperature of drinks to 150-176° F(65-80 °C).
- 2) Press the power button twice: the light turns to purple (Middle temperature setting). The screen shows 150° F and it keeps the temperature of drinks to 130-150° F(55-65 °C).
- 3) Press the power button the third time: the light turns to blue (low temperature setting). The screen shows 130° F and it keeps the temperature of drinks to 105-130° F(40-55 °C).
5. Press the power button the fourth time to turn off the unit.

6. Timer: Press timer button to set auto-off time from 2-9H, it will turn off automatically by the time you set. Default timing is 4 hours.
7. Night light: Long press the timer button to turn off/on the light during working model if necessary. Three colors match each setting, red is for high setting, pink for middle and blue for low.

8. Auto shut off: The warmer will auto shut off after 4 hours using for safe use.

Note: The temperature we mentioned is that we tested in lab in room temperature, it will be surely varied depends on different jugs or ambient temperature.

Specifications

Model	DS1213
Voltage	AC 120V/60Hz
Temperature Range	105 -176 °F / 40-80 °C
Dimensions	6.3*6.3*1.18inch/160*160*30mm
Power	55W
Auto-Off	4 Hours
Weight	0.7lb /320g

IMPORTANT SAFEGUARDS

1. Read all instructions carefully.
2. Do not use the appliances if there is any broken or crack on the surface.
3. Do not touch the hot surface at any time.
4. To protect against electrical shock do not immerse cord, plugs, or (state specific part or parts in question) in water or other liquid.
5. Close supervision is necessary when any appliance is used by or near children.
6. Unplug from outlet when not in use and before cleaning. Allow to cool before putting on or taking off parts.
7. Do not operate any appliance with a damaged cord or plug or after the appliance malfunctions or has been damaged in any manner. Return appliance to the nearest authorized service facility for examination, repair, or adjustment.
8. The use of accessory attachments not recommended by the appliance manufacturer may cause injuries.
9. Do not use outdoors (this item may be omitted if the product is specifically intended for outdoor use).

11. Do not place on or near a hot gas or electric burner, or in a heated oven.
12. Please turn off the appliances and unplug to cooldown before moving.

13. Always attach plug to appliance first, then plug cord into the wall outlet. To disconnect, turn any control to "off", then remove plug from wall outlet.

14. Do not use appliance for other than intended use.
15. This appliance has a polarized plug (one blade is wider than the other). To reduce the risk of electric shock, this plug is intended to fit into a polarized outlet only one way. If the plug does not fit fully into the outlet, reverse the plug. If it still does not fit, contact a qualified electrician. Do not attempt to modify the plug in any way.

16. Store appliances indoors when not in use - out of the reach of children.
17. A fire may occur if appliances are covered or touching flammable material, including curtains, draperies, books, and the like, when in operation.

18. Do not operate unattended.
19. Sealed beverage cans should be opened before heating.
20. The warming effect varies from material of cups, it works best with flat-bottomed stainless steel mugs or flat-bottomed ceramic mugs or flat-bottomed glass. Covering the lid can help keep the heat.

21. Please do not use plastic cups. Insulated tumbler cup, thick bottom cup and paper cups.
22. Please cut off the power immediately and cooldown then wipe up the liquid if beverage is pouring onto the heating plate.

23. Never allow your children or pet to play with it as a toy.
24. Do not disassemble it by yourself.
25. This appliance is spill-resistant but not waterproof. Unplug from outlet when not in use and. Allow to cool before putting on or taking off parts, and before cleaning.

26. Do not use an extension cord with this appliance.
27. CAUTION HOT SURFACE! Please do not touch during or immediately after use and keep out of reach of children.

28. Please turn off or unplug after use.
29. Never put this appliance on any leather tables, valuable furnitures or other vulnerable tables when working.
30. Do not use cups or mugs with diameter over heating plate's size.

31. SAVE THESE INSTRUCTIONS

7

1

2

3

4

5

6

DS1213 说明书尺寸：105*143mm/120g双铜，彩色印刷，折页/展开尺寸735*143mm