

# kidzone



Ride On SUV Personalize License Plate (24V)  
item number: 060-ROT-02V2



**Warning!**

The foam on the product belongs to the packaging, please remove it when using it

**⚠ ATTENTION**



This product is packed with the battery disconnected.  
Connect the battery before use.

# Safety Instruction

When using electrical product, basic safety precaution should always be followed including the following

## Read all Instruction before use

- To Protect against electrical shock, do not immerse cord, charger, transformer, battery, or the product in water or other liquid.
- Only use charging devices, transformer, and battery provided or recommended by the manufacturer.
- For your children's safety, the product should be assembled by adult.
- This toy is not intended for children below 37 months old.
- Close supervision is necessary when your children is using the product.
- Unlatch the battery if not used for a long time.
- Personal protective equipment such as helmet is needed when using this product.
- Do not use this product as a traffic tool.
- Do not use this product on public road, raceway, by the swimming pool, or at any potential dangerous places.
- Do not use this product on slippery surface.
- Always keep hands, hair, and clothing away from moving parts.
- Maximum users weight for this product is 77.2 lb.
- Do not change, modify or add any electrical wiring on this product.
- Avoid using this product in tight environment to prevent damage to the product or injury to the user.
- Do not use this product in the dark. Only operate this product during daytime or well lit area.
- For your child's safety, pls make sure fasten the seat belt when using this product.
- Personal protective equipment such as helmet is needed when using this product.



## Product Specification

Item: 060-ROT-02V2

Battery: 12V7AH\*2 (24V)

Motor: 200W\*2,550,20000rpm

Age: 37-96 Months

Max Weight: 77.2LB

Product Dimension: 48.4" x 34.6" x 31.5"

Speed: 1.8-3.1MPH

Play time: 50 minutes

Charger: DC 24V1000mA

First charging time: 8-12hours

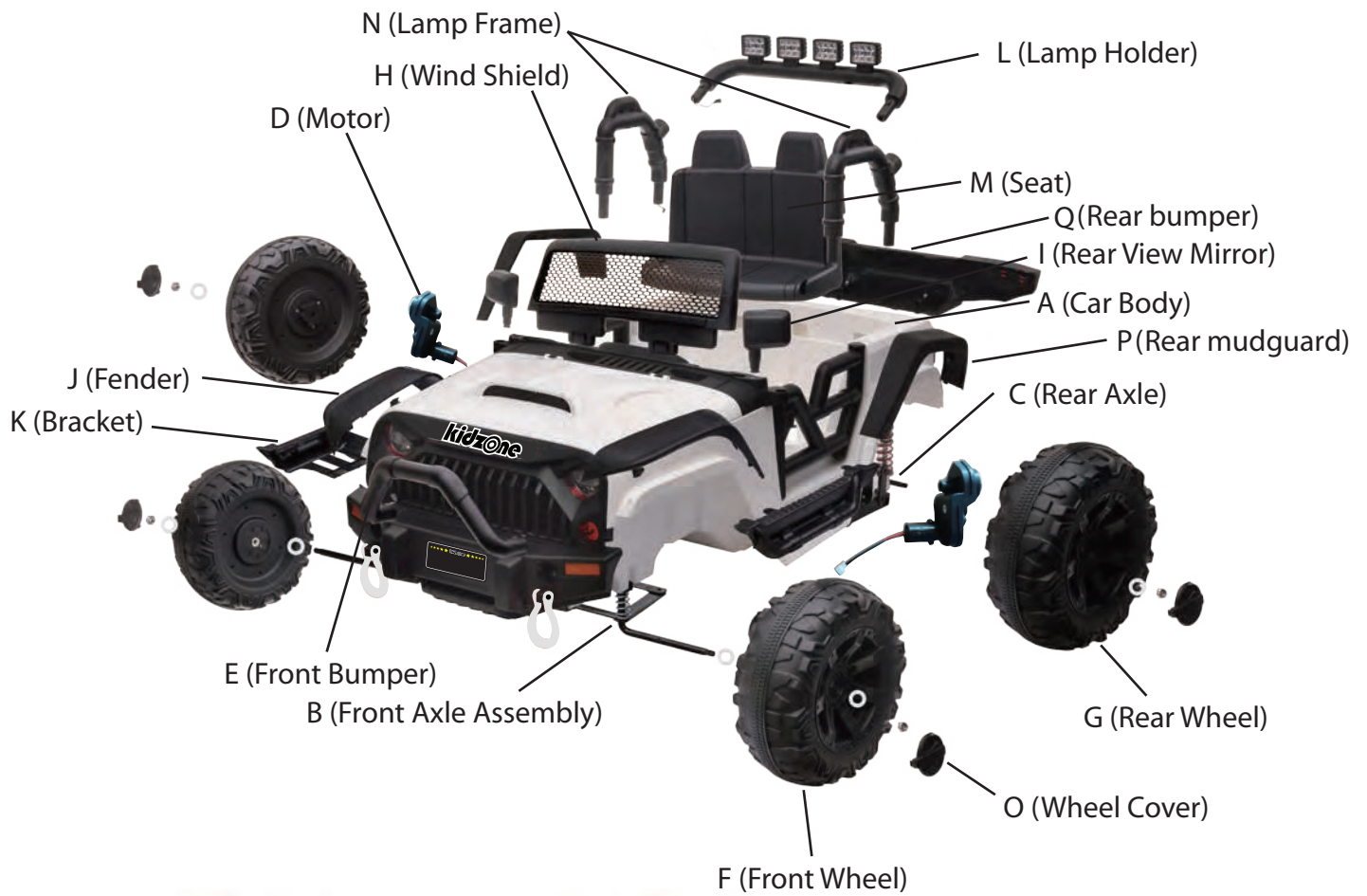
Charing time after first charge: 8-12hours

Max charging time: 12 hours

Average battery life: One year

Battery (Temperature tolerance): -68°F to 140°F

# Parts and Feature



P (Steering Wheel)

1x



R (Charger)

1x



T (Small Washer)

1x



V (M4x10)

41x



Q (Remote Control)

1x



S (Big Washer)

6x



U (Nut)

4x



W (M4x16)

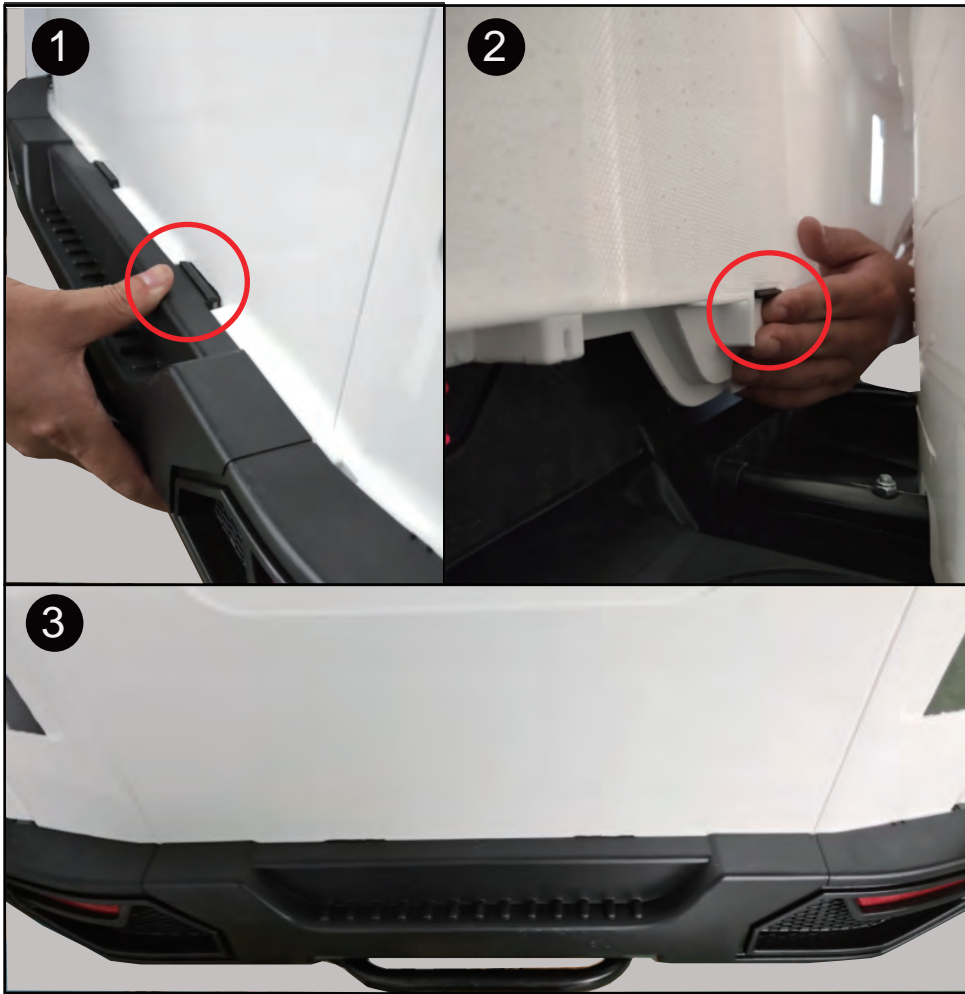
10x



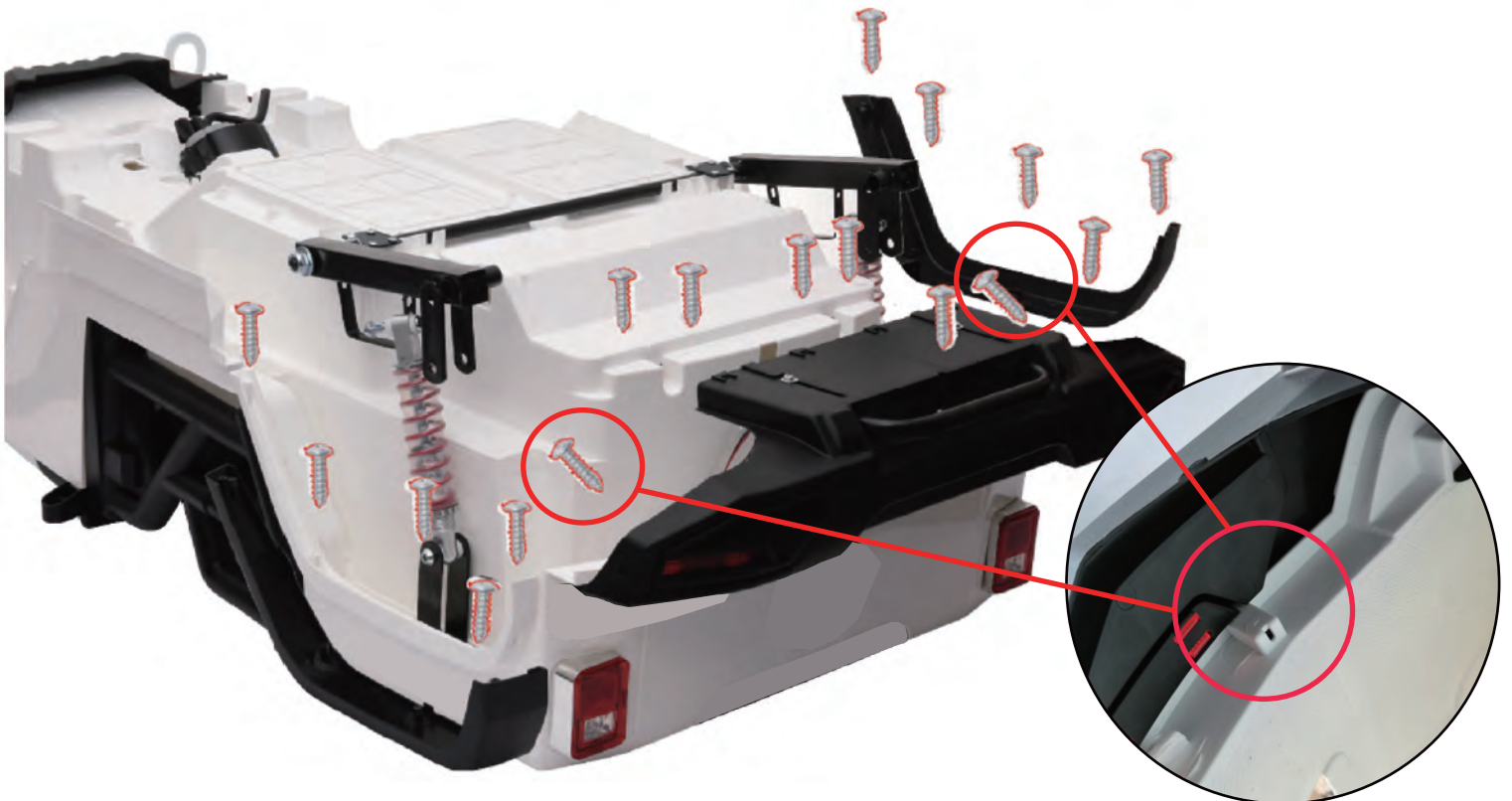
X (Cotter Pin)



# Assembly Instruction



Align the rear bumper to the vehicle body.  
Hold the support the vehicle body with 1 hand, press and click the bumper into place.



Assemble the rear bumper to the car body.  
Assemble rear mudguard to the side of the car body and secure using M4x10 screws

screw fixing position indication

# Assembly Instruction

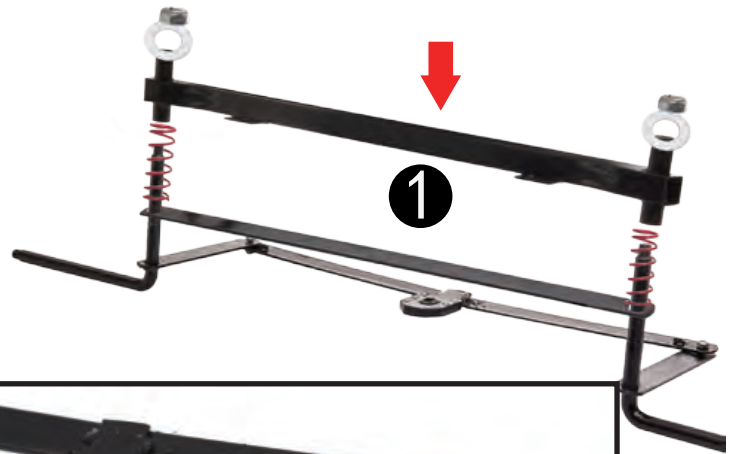
3



2



1



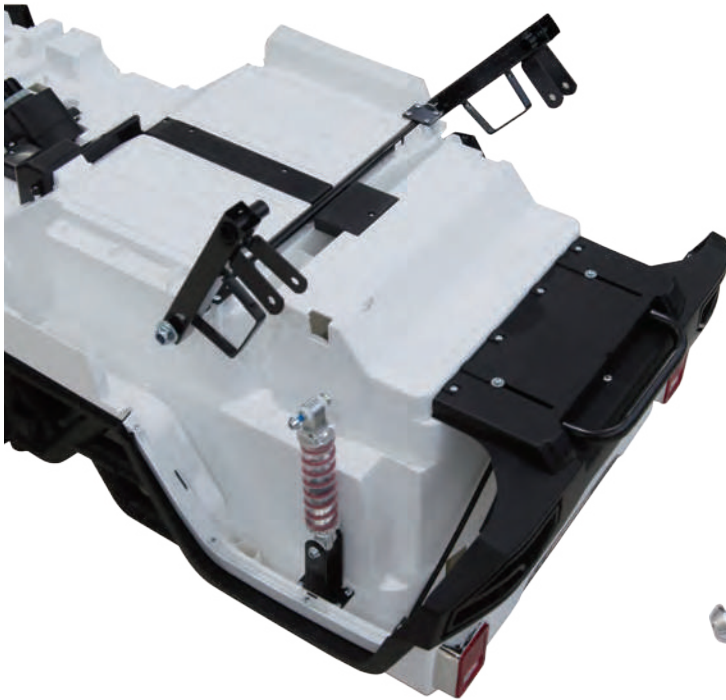
1-1



Complete the front axle Assemble.

Turn the car body and assemble the front axle assembly and secure using 8 M4x16 screws.

Connect the direction lever with a washer and cotter pin.

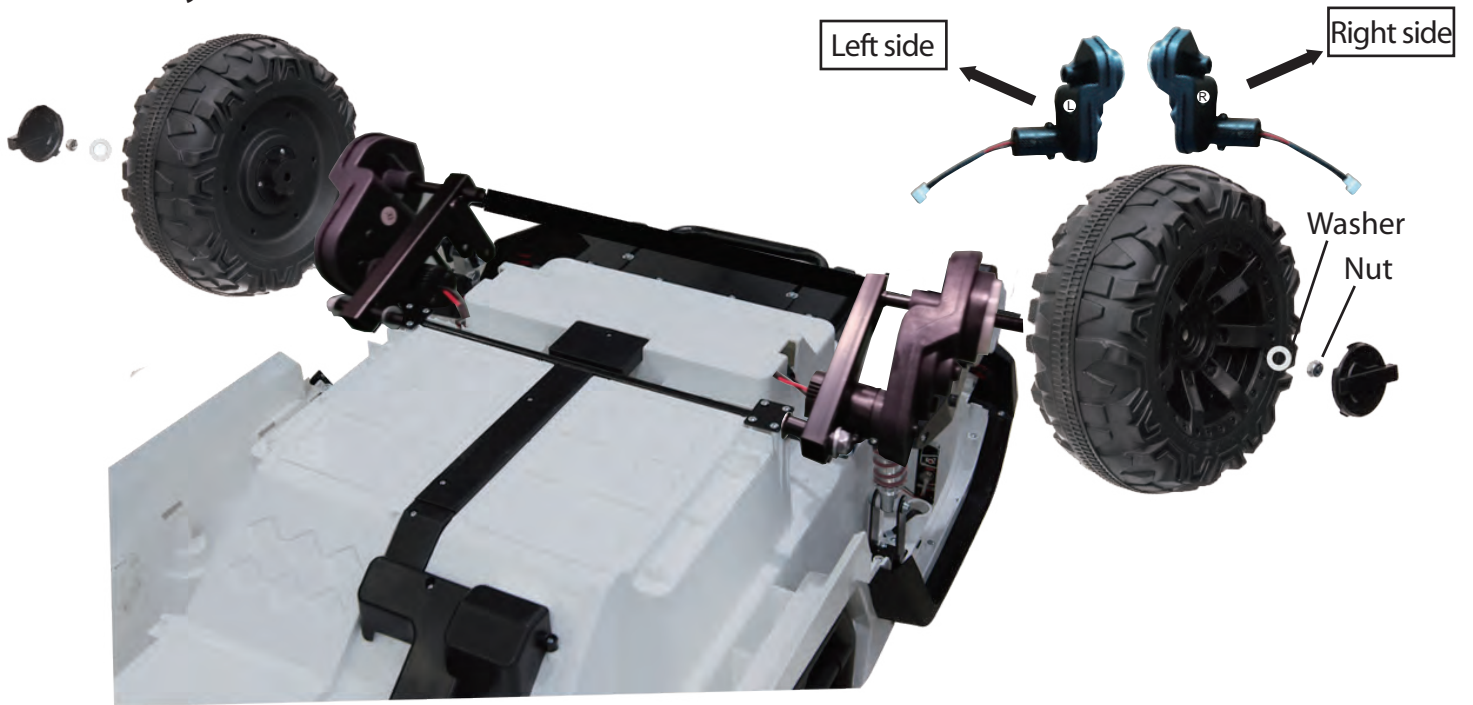


The membrane on the rear shock spring cannot be removed

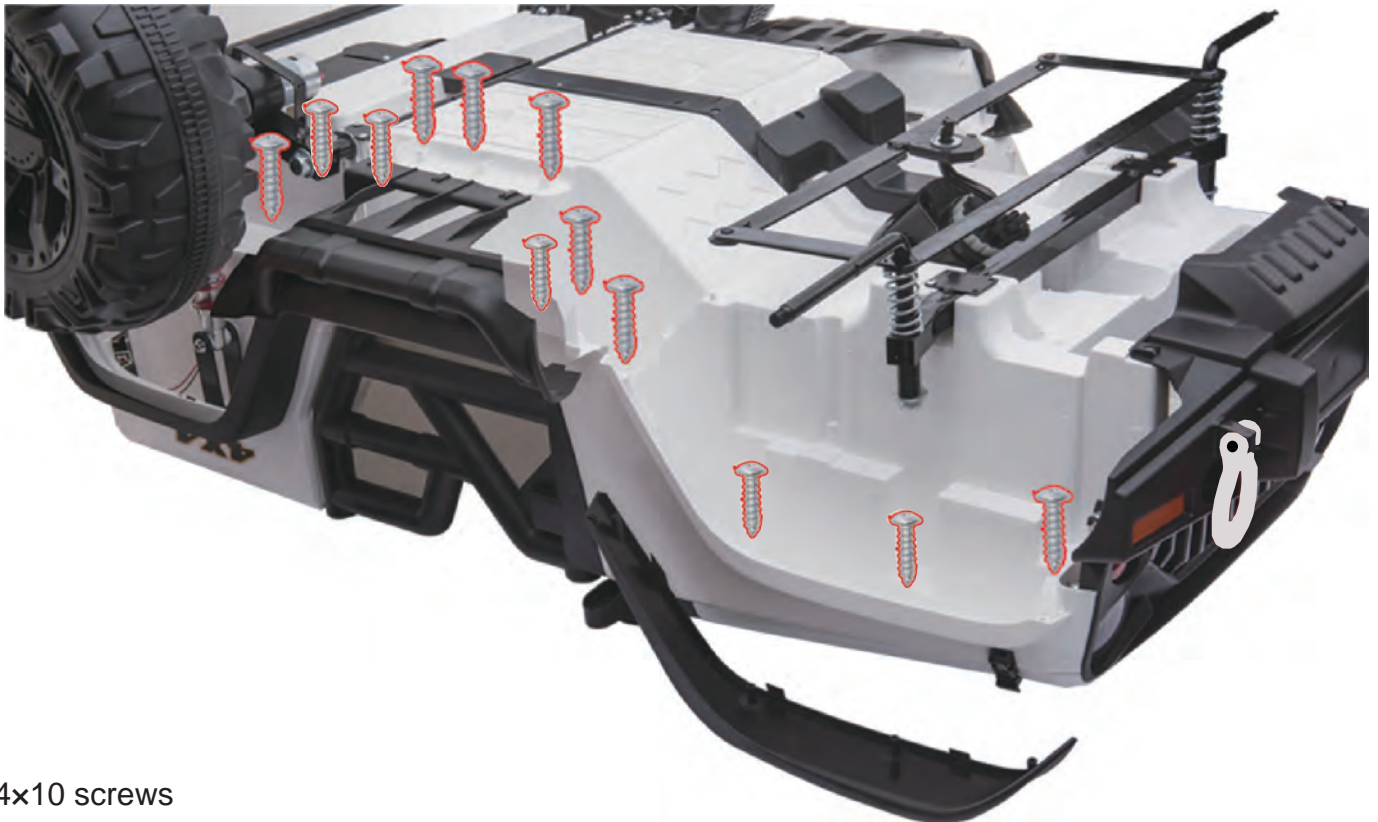


Connect the shock spring to the rear axle arm.

# Assembly Instruction



Assemble the motor, rear wheel, nut to the rear axle and secure with provided nut. Then cover it with the wheel cover. Make sure the motors are assemble on the correct side.



M4x10 screws

Install the brackets and fender to the car body and fix it with screws. Make sure to assemble the parts on the correct side.

# Assembly Instruction



Assemble the washer, front wheel, follow by another washer to the front axle and secure with provided nut. Then cover it with the wheel cover.



Remove the screw and nut from the steering wheel. Slide the steering wheel to the car body and align the screw hole. Then secure it with the previously removed screw and nut.

# Assembly Instruction



Insert the windshield and rear view mirrors on the vehicle body.



Insert the light frame on the car body. Then connect the electric terminals of that to the car and to the light. Insert the light holder to the light frame.

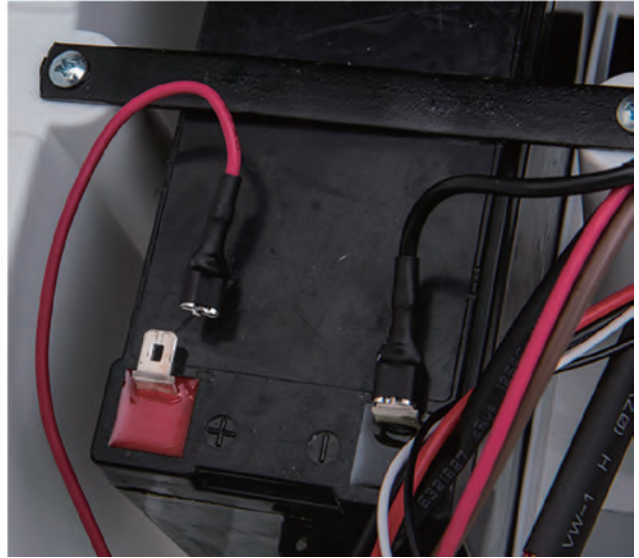
Note: after the wire terminal is inserted on the rear tailstock, insert the wire terminal into the hole of the rear tailstock, so that it will be installed the rear tailstock better

【As shown on the picture, press the two buckles of the rear bumper by hand for better installing】

# Assembly Instruction



The terminals can be plugged in either ways



Connect the motor wiring under the seat.  
Open the front engine hood and connect the battery wiring.



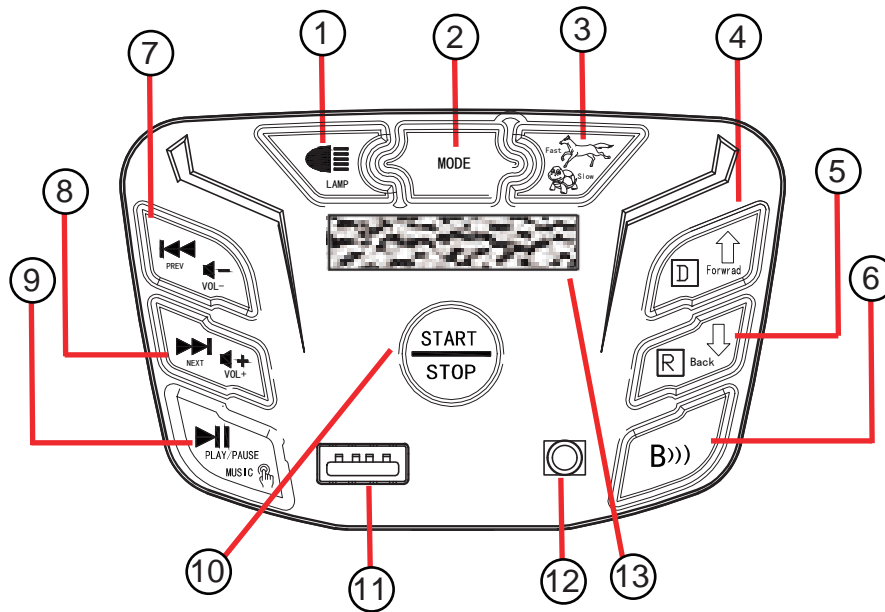
Assemble the seat on the car body and secure with 2 M4 x 16 screws.

# Assembly Instruction



Insert the front bumper to the front of the car.

# User Instruction



Control the vehicle

## 1. Light Button

Turn the light on and off .

## 2. Multifunction Button

Press the multifunction button to cycle through different modes: Bluetooth(Kidzone Ride-On) / Radio / USB.

## 3. Speed Button

Choose between high and low speed.

## 4. Forward Button

Press the button to enable the vehicle to move forward.

## 5. Reverse Switch

Press the switch to enable the vehicle to move reverse.

⚠ Do not change the speed or direction until the vehicle comes to a complete stop.

## 6. Bluetooth Button

Press the button to enable the Bluetooth mode.

## 7. Previous track / Decrease Volume Button

Press the button once to play the previous track. Press and hold to decrease volume.

## 8. Next track / Increase Volume Button

Press the button once to play the next track. Press and hold to increase volume.

## 9. Play / Pause Button

## 10. Start / Stop Button

Press to turn on or off the vehicle.

## 11. USB connector

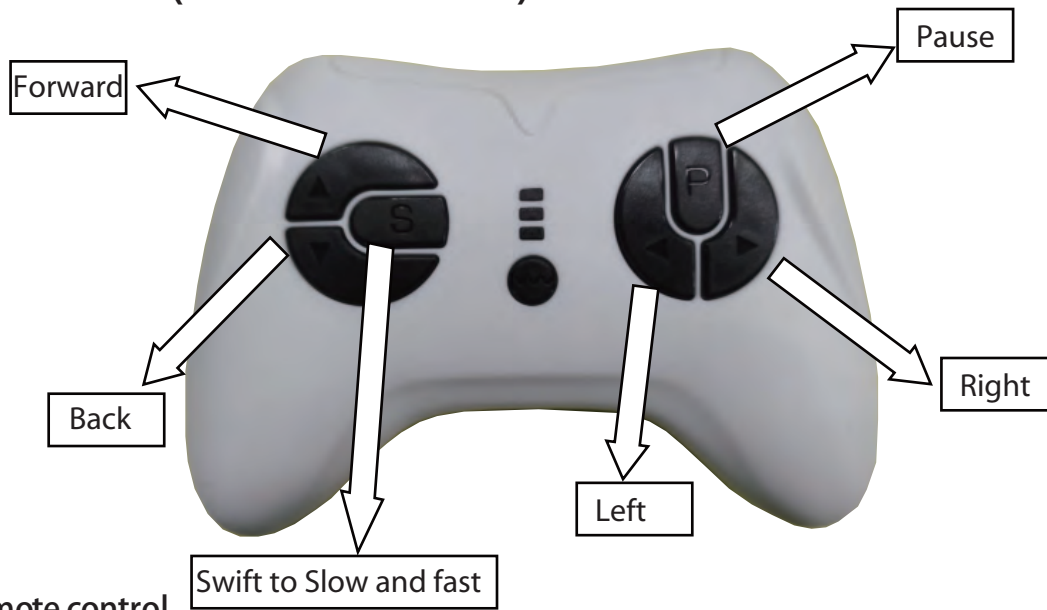
Insert USB to play the music.

## 12. AUX connector

Auxiliary port.

## 13. Power display

## User Instruction (Remote Control)

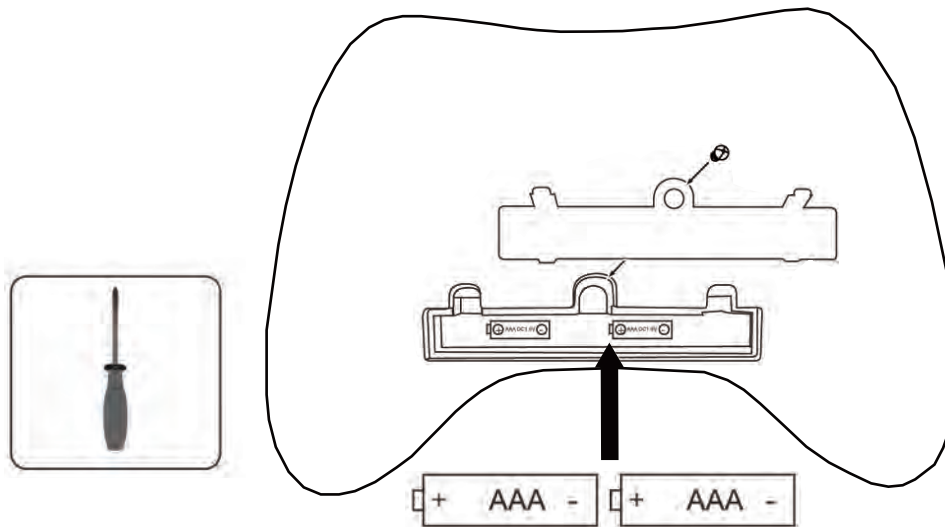


### Using the remote control

The remote control should only be used by adult. Remote control will over ride all control input from the vehicle

To pair the remote control to the vehicle,

1. Turn on the power of the vehicle.
2. Press and hold the forward and backward button for 3 seconds on the remote control until the indicator lights up.



### ⚠ WARNING!

The battery should only be replaced by an adult.

### Replacing the battery

1. Remove the cover on the back side with a screwdriver.
2. Replace the old battery with two new AAA 1.5V batteries in correct polarity.
3. Put the cover back in place and secure with the screw.

## User Instruction (Charging)



### **⚠ WARNING!**

**The battery should only be charged by an adult.**

### Charging the battery

1. Insert the charging cable to the charging port located below the vehicle seat.
  2. Insert the charger plug into a wall outlet.
- **The vehicle must be OFF when charging**
  - Recharge the battery if the vehicle operates slowly.
  - The vehicle cannot be operated when charging.

### NOTE:

Damage to the battery may occur if it is completely drained.  
Do not charge the battery for more than 12 hours.

## Care and Maintenance

- Check the product regularly and make sure there is no missing or loose parts. Re-tighten any loose parts if necessary.
- Make sure there is no cracked or broken plastic parts.
- When not using store the product away from heat source, cover it with a tarp and away from wet weather.
- Turn off the product and disconnect the battery if the product is not use for a long period of time.
- Clean the vehicle with a cloth. Use a non-wax furniture polish to restore shine to plastic parts. Do not use abrasive cleaner.
- Do not wash the product with a hose or immerse any parts in water or other liquid.
- Occasionally use lightweight oil to lubricate moving parts

## Troubleshooting

Problem	Possible Reason	Solution
Vehicle does not move	Low Battery	Fully charge the battery
	Fuse Protection	Replace with a new fuse
	Disconnected / Badly connected battery	Reconnect the battery
	Failed battery / engine	Contact Customer Service
Vehicle does not run very long	Low Battery	Fully charge the battery
	Old Battery	Replace battery if necessary
Vehicle runs very slow	Low Battery	Fully charge the battery
	Old Battery	Replace battery if necessary
	Vehicle is overloaded	Make sure user's weight is under 77.2 lb
	Vehicle is being used in harsh environment	Avoid using the vehicle in harsh environment

# Troubleshooting

Problem	Possible Reason	Solution
Vehicle needs a push to go forward	Poor wire connection	Check if the battery connectors are firmly connected. Contact Customer service if necessary
	"Dead spot" on motor	Contact customer service
Loud grinding sound or clicking sound from the motor or gear box	Damaged motor or gear box	Contact customer service
Battery does not charge	Disconnected / Badly connected battery	Reconnect the battery
	Disconnected / Badly connected charger	Make sure the charger is firmly plugged into the power source and connected to the charging port
	Charger not working	Contact customer service
Charger feels warm with charging	Normal	

# Limited Term Warranty (One Year from Date of Purchase)

## WARRANTY TERMS

KIDZONE warrants that its merchandise are free from manufacturing defects (workmanship and/or material) and will either give credit or replace defective parts for a period of up to one (1) year from the date of purchase in accordance with the conditions set forth below. If a manufacturing defect is found, KIDZONE should be notified promptly of the defect and supplied a copy of the invoice and delivery ticket. Inspection by a KIDZONE employee or representative may be necessary to verify that a manufacturing defect exists, or you may be required to submit samples to KIDZONE along with a digital image of the defects. If replacement is required in accordance with this warranty and the defective material or merchandise has been discontinued or unavailable, KIDZONE reserves the right to select and supply similar merchandise or offer full credit for the merchandise; otherwise the same material or merchandise will be supplied for replacement purposes. This warranty is made solely to the retailer and is not transferable under any circumstances. It is the retailer's responsibility to contact KIDZONE with a claim. We will not handle claims from consumers directly; all requests must go through the retailer who sold the merchandise to the consumer. We advise all retailers to retain invoices for a minimum of one (1) year for warranty purposes. This warranty supersedes and replaces all implied warranties of merchantability and use for particular purpose. No representative, employee, agent or any other person is authorized to assume for KIDZONE any additional liability or responsibility in connection with KIDZONE's merchandise except as described above. Implied warranties or merchantability and fitness of the merchandise are limited to a period of one (1) year from the date of purchase. In no event shall KIDZONE be liable for indirect, consequential or incidental damages of any kind.

## ADDITIONAL CONDITIONS

THE FOLLOWING EXAMPLES ARE NOT MANUFACTURER'S DEFECTS:

- Colors may vary slightly from the photo because of photography and printing tolerances.
- Sizes stated in U.S. standard measurements may vary slightly due to product are manufactured using the metric system.
- No returns for buyer's remorse.
- No returns - other than stated above will be accepted.

## ADDITIONAL CONDITIONS

WARRANT IS VOID FOR ANY OF THE FOLLOWING CONDITIONS:

1. Improper maintenance or improper use resulting in damage.
2. Any product modifications by dealer, consumer, or other parties not authorized by KIDZONE will void this warranty.
3. Floor samples sold or products designated "AS IS" at the time of purchase are not covered by the warranty
4. Warranty does not cover minor variations or differences between floor samples or printed illustrations and your product.
5. Cost of packaging and shipping to and from KIDZONE is not covered by the warranty unless expressly arranged by KIDZONE.
6. This warranty covers only articles of appliances intended for residential use only, does not cover any industrial, commercial, institutional or Rental use.
7. Dissatisfaction due to buyer's remorse.
8. Normal wear and tear.
9. Damages incurred during transportation.
10. Damages incurred during assembling or maintenance.
11. Damage incurred by accidents or abuse.