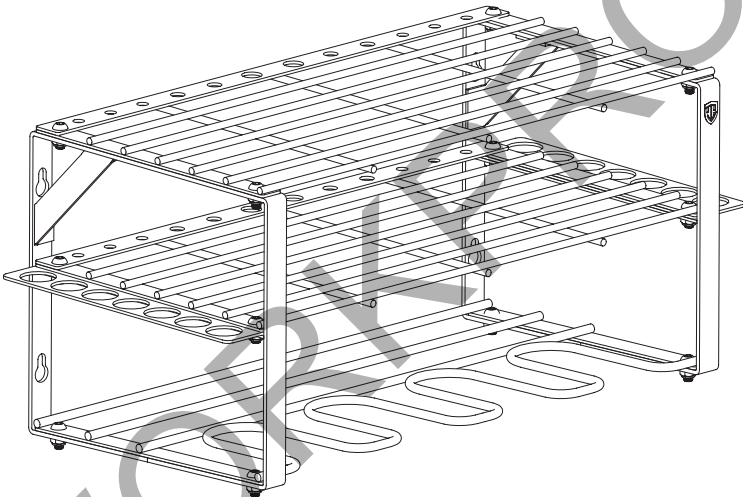


W133363AE

WORKPRO

OPERATOR'S MANUAL POWER TOOL ORGANIZER



USE PRECAUTION
For your safety



INSTRUCTION
MANUAL
Read and understand



EYE PROTECTION
Must be worn



PROTECTIVE GLOVES
Must be worn when
assembly



CAUTION: Read and follow all Safety Rules and Operating instructions before first use of this product.

NOTE: Ensure all components are present. If any components are missing, do not proceed with assembly. Please send an email to service@greatstartools.com or call 877- 876-7562.

SAVE THIS MANUAL FOR FUTURE REFERENCE



Distributed by:
Hangzhou GreatStar Industrial Co., Ltd.
No.35 Jiuhuan Road, Jiubao Town,
Hangzhou 310019, China
www.greatstartools.com
MADE IN CHINA

TABLE OF CONTENTS

Safety Information-----	3
Specifications -----	3
Package Contents -----	4-5
Assembly -----	6-8
Installation -----	9-11
Cleaning and Maintenance -----	12
Customer Service -----	12

FOR YOUR SAFETY: CAREFULLY READ AND UNDERSTAND ALL INSTRUCTIONS BEFORE USE.

WORKPRO

SAFETY INFORMATION

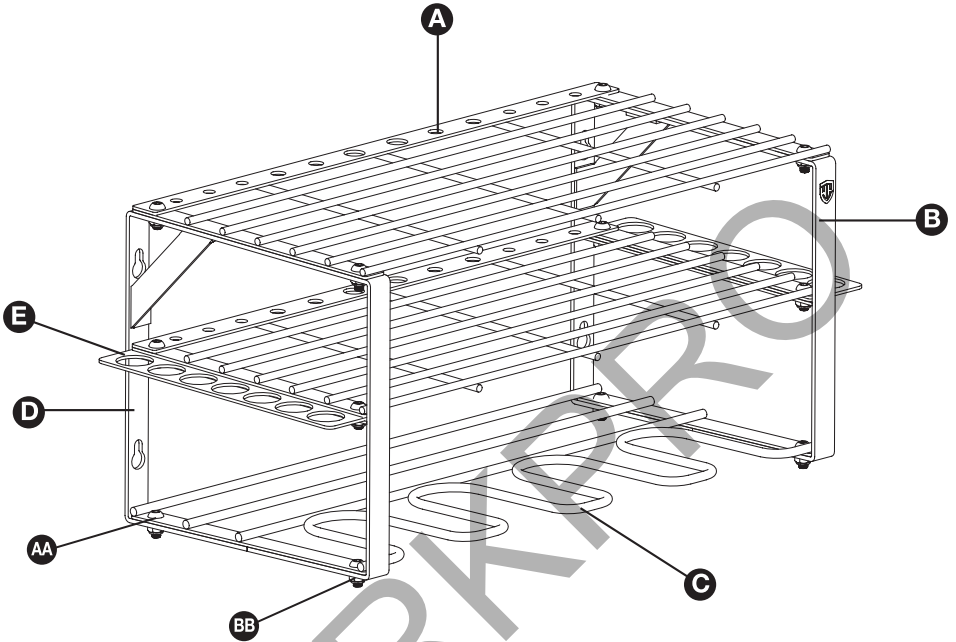
- **Know your product.** Read operator's manual carefully. Learn its applications and limitations, as well as the specific potential hazards related to this product. Following this rule will reduce the risk of serious personal injury.
- **Do not exceed the maximum weight capacity for the shelves.**
- **This is a power tool organizer. Do not use for any other purpose than supporting tools or products.** Do not use as a seat, ladder, or standing platform.
- **Keep the area around the organizer clean and well lit.** Cluttered or dark areas invite accidents.
- **Mount the organizer in a dry, indoor place protected from wet conditions.**
- **Keep organizer dry, clean, and free from oil and grease.**
- **Do not use the organizer if it is damaged or broken.** A damaged or broken organizer may not mount securely and/or it might not provide adequate support for the items stored on it.
- **When servicing this product, use only identical replacement parts.** Use of unauthorized parts may create a risk of injury.
- **Mount the organizers to sound structural supports. NEVER mount the organizers to drywall or plaster without the mounting fastener going into a structural support. ALWAYS use concrete anchors when installing organizers into concrete, brick, or other masonry.** Failure to properly mount the organizer could result in a falling hazard that can cause death or serious personal injury.
- **Mount the organizer on smooth and flat surfaces capable of bearing the weight of organizer and the items stored on it.**
- **Use extra care when mounting the unit. Keep proper footing and balance at all times.**
- **Ensure the organizer is securely mounted.** Make sure it does not rock, slide, or move before storing products or tools.
- **Always wear eye protection during installation.** Following this rule will reduce the risk of serious personal injury.
- **Do not allow children or untrained individuals to use this organizer.**
- **Always get help when lifting, moving, and mounting the organizer.** When lifting, hold the organizer close to your body. Bend your knees so you can lift with your legs, not your back.

SPECIFICATIONS

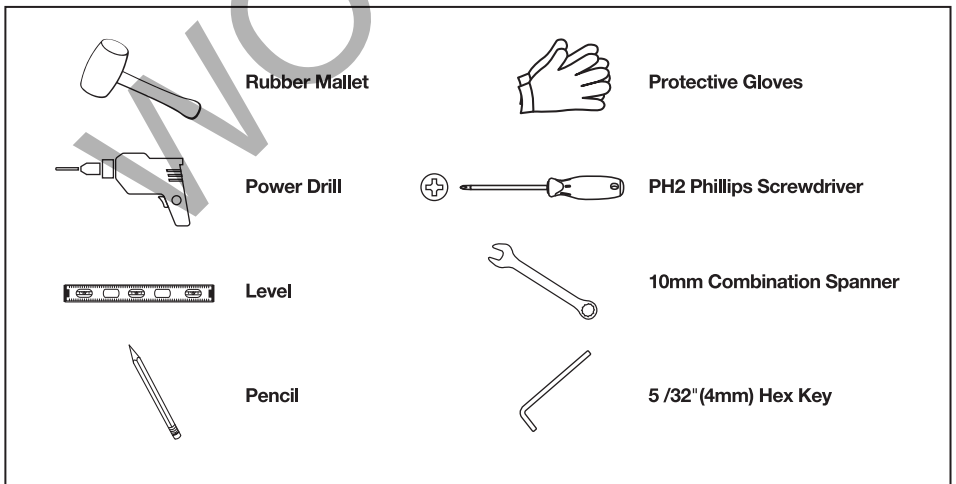
Maximum weight capacity of entire tool organizer	150 lbs
Maximum weight capacity of top shelf	45 lbs
Maximum weight capacity of middle shelf	37.5 lbs
Maximum weight capacity of bottom shelf	37.5 lbs
Maximum weight capacity of each tool holder	15 lbs
Overall dimensions	19.2" W x 11" D x 8.6" H (48.8 cm W x 28 cm D x 21.9 cm H)

PACKAGE CONTENTS


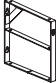
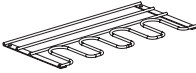
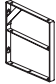
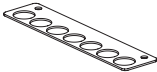




Ensure all components are present. If any components are missing, do not proceed with assembly. Please send an email to service@greatstartools.com or call 877- 876-7562.



TOOLS REQUIRED (NOT INCLUDED):



PACKAGE CONTENTS

#	PIC	DESCRIPTION	QTY
A		Top shelf / Middle shelf	2
B		Right side panel	1
C		Bottom shelf	1
D		Left side panel	1
E		Tool holder	2
AA		M6 x 14mm Hexagon socket head bolt	12
BB		M6 Nut	12
CC		#4.8 x 35 Phillips head Self-Tapping Screw	4
DD		Anchor	4

ASSEMBLY

i NOTE:

- Assemble on a flat surface. A piece of cardboard is recommended to keep the product from being scratched during assembly.
- Some parts may contain sharp edges, wear protective gloves if necessary.
- Two people are recommended for assembly.

STEP 1: SIDE PANELS ASSEMBLY

- Place the bottom shelf (C) on the side panels (B/D).
- Attach the left side panel (D) and right side panel (B) to the bottom shelf (C) using two M6 x 14mm hexagon socket head bolts (AA) and two M6 nuts (BB) per side and tighten to desired tightness with a 5/32" (4mm) hex key and a 10mm combination spanner.

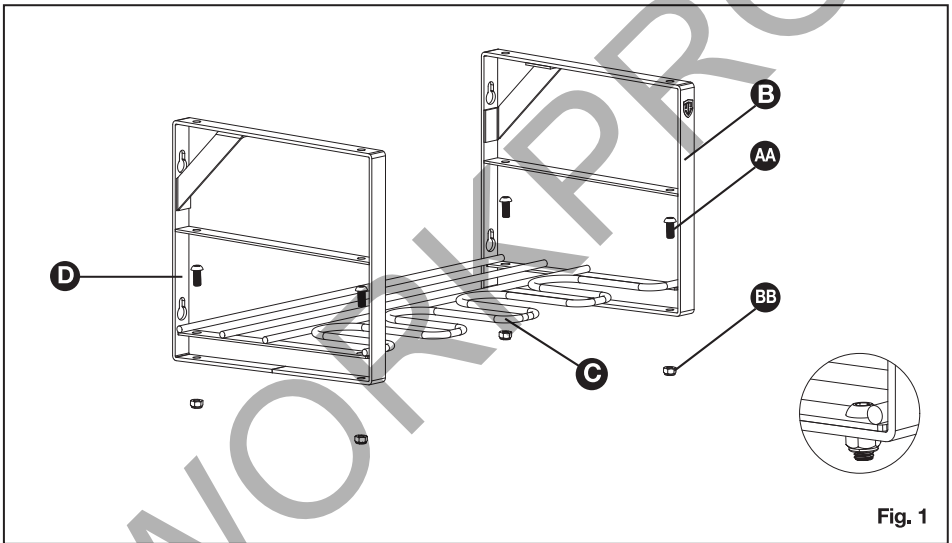


Fig. 1

PART	B	C	D	AA	BB
DESCRIPTION	Right side panel	Bottom shelf	Left side panel	M6 x 14mm hexagon socket head bolt	M6 nut
QTY	1	1	1	4	4

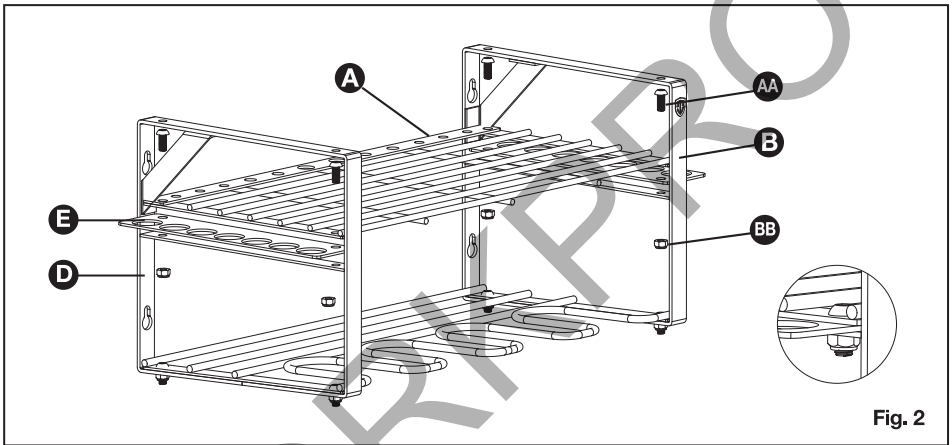
ASSEMBLY

STEP 2: MIDDLE SHELF ASSEMBLY

- Place the tool holder (E) on the left side panel (D) and right side panel (B).
- Place the middle shelf (A) on the tool holders (E).
- Attach the left side panel (D) and right side panel (B) to tool holders (E) and the middle shelf (A) using two M6 x14mm hexagon socket head bolts (AA) and two M6 nuts (BB) per side and tighten to desired tightness with a 5/32" (4mm) hex key and a 10mm combination spanner.

i NOTE:

The holes on the middle shelf (A) should face backward.



PART	A	B	D	E	AA	BB
DESCRIPTION	Middle shelf	Right side panel	Left side panel	Tool holder	M6 x 14mm hexagon socket head bolt	M6 nut
QTY	1	1	1	2	4	4

ASSEMBLY

STEP 3: TOP SHELF ASSEMBLY

- Place the top shelf (A) on the side panels (B/D).
- Attach the left side panel (D) and right side panel (B) to the top shelf (A) using two M6 x 14mm hexagon socket head bolts (AA) and two M6 nuts (BB) per side and tighten to desired tightness with a 5/32" (4mm) hex key and a 10mm combination spanner.

NOTE:

The holes on the top shelf (A) should face backward.

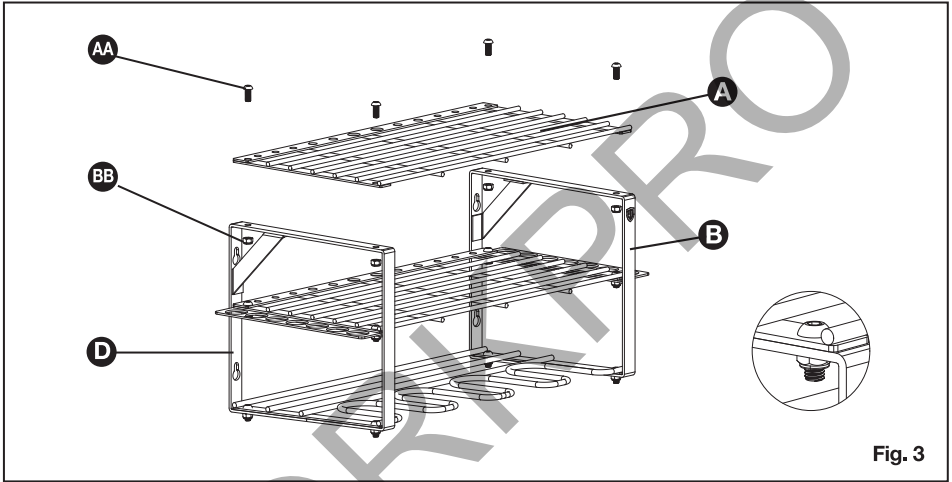


Fig. 3

PART	A	B	D	AA	BB
DESCRIPTION	Top shelf	Right side panel	Left side panel	M6 x 14mm hexagon socket head bolt	M6 nut
QTY	1	1	1	4	4

INSTALLATION

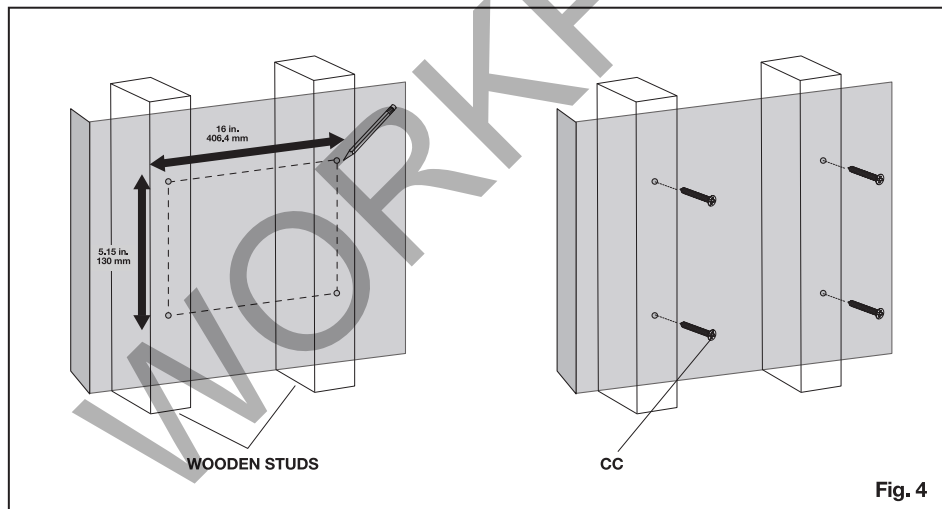
⚠ CAUTION!

- Only install on sound structural supports (such as studs and concrete) in areas where no electrical wires, utility cables, pipes, or other obstructions are located. Failure to follow these instructions can result in death, electrical shock, or other serious personal injury.
- Do not lift the product without help. Hold it close to your body. Keep your knees bent and lift with your legs, not your back. Ignoring these precautions can result in back injury.

AMOUNTING THE SCREWS

Option 1: FOR WOODEN STUDS

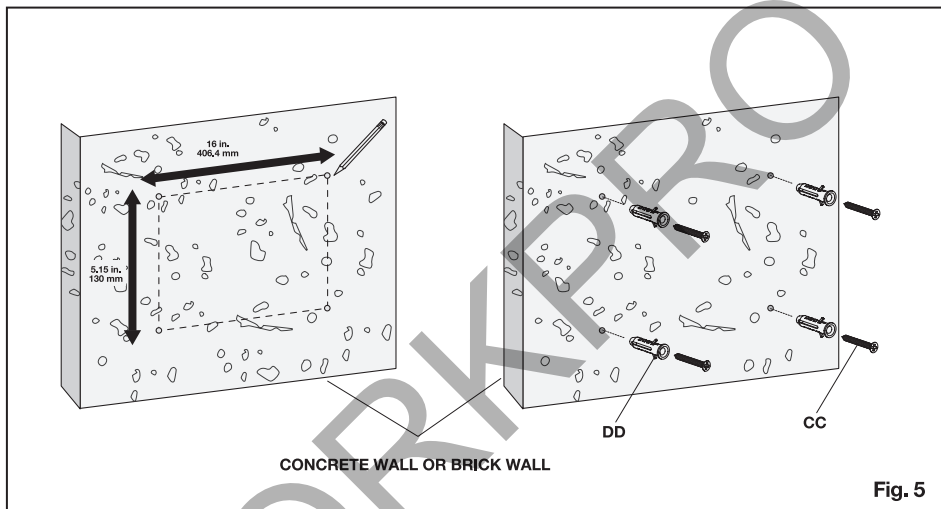
- Find the wooden studs behind your wall.
- Use a pencil and a level, mark four screw holes. The top two screw holes should be 16 in.(406.4mm) apart on studs. The bottom screw holes should be 5.15 inches(130mm) below the top screws.
- Use a power drill make four diameter 0.12in.(3mm) and depth 1.38in.(35mm) pilot holes, which is slightly smaller than the size of #4.8 x 35 Phillips head self-tapping screws (CC).
- Use a PH2 Phillips screwdriver install the screws into the pilot holes. Leave the head of the screws (CC) approximately 1/4 in.(6.4mm) off the wall.



INSTALLATION

Option 2: FOR CONCRETE WALL OR BRICK WALL

- Position the product on concrete wall in desired location.
- Use a pencil and a level, mark four screw holes. The top two screw holes should be 16 in.(406.4mm) apart on walls. The bottom screw holes should be 5.15 inches(130mm) below the top screws.
- Use a power drill make four diameter 0.31in.(8mm) and depth 1.38in.(35mm) for anchors.
- Use your fingers to press the anchor (DD) into the pilot hole, then tap the head of the anchor (DD) lightly with the rubber mallet until it is flush into the wall.
- Use a PH2 Phillips screwdriver install the screws into the anchors. Leave the head of the screws (CC) approximately 1/4 in.(6.4mm) off the wall.



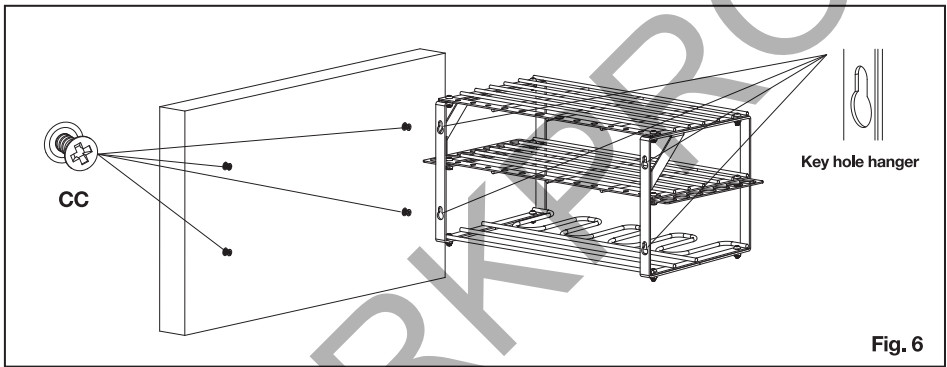
INSTALLATION

AMOUNTING THE ORGANIZER

- With the help of at least one other person, carefully lift the organizer and align the keyholes on the back with the screws in the walls.
- Place the wide portion of each keyhole over the head of each screw.
- To lock the organizer in place, slide the organizer down until the screws are inside the narrow portions of each keyhole.
- Tighten the #4.8 x 35 Phillips head self-tapping screw (CC) to the desired tightness with a PH2 Phillips screwdriver.

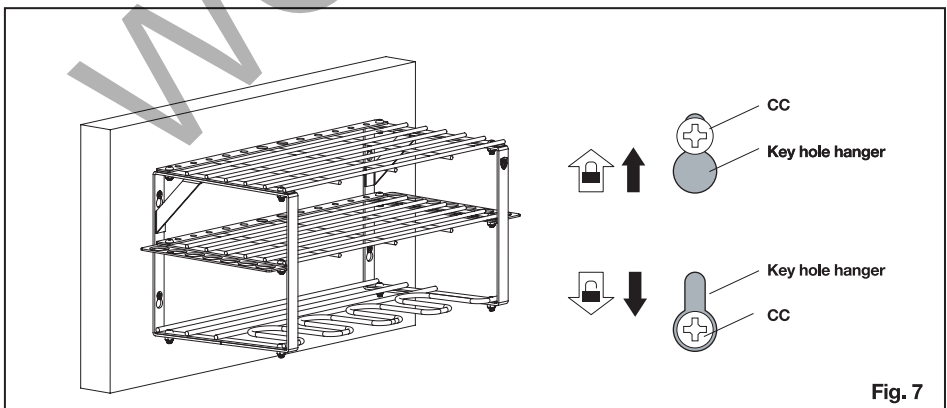
i NOTE:

Check organizer installation by verifying it is level, plumb, and secure to the wall.



To unmount the organizer :

- Remove all of the items stored on the organizer.
- With the help of at least one other person, carefully lift the organizer until the screws are inside the wide portions of each keyhole and remove the organizer from the wall.



CLEANING AND MAINTENANCE

- Wipe with a dry cloth as needed to remove dust and dirt.
- Avoid contact with corrosive substances like acids, alkaline or similar substances.

CUSTOMER SERVICE

If you are having difficulty in using this product and require support, please send an email to service@greatstartools.com or call 877-876-7562.

WORKPRO