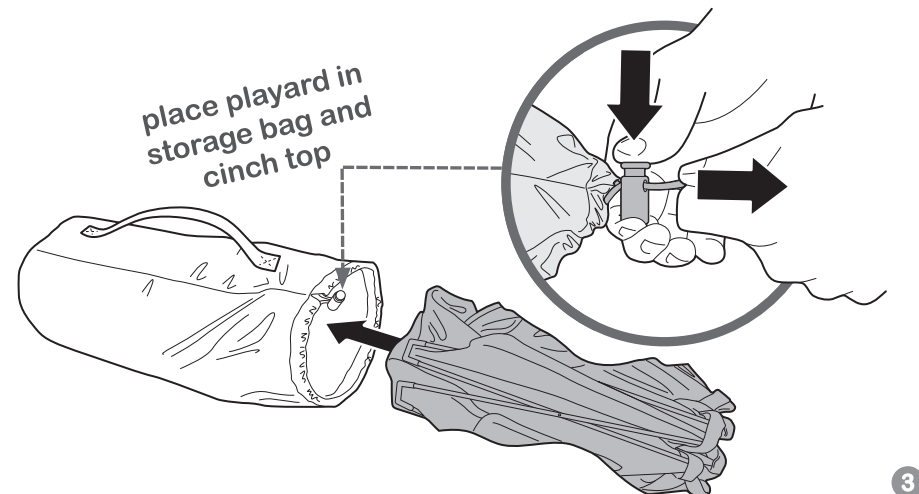
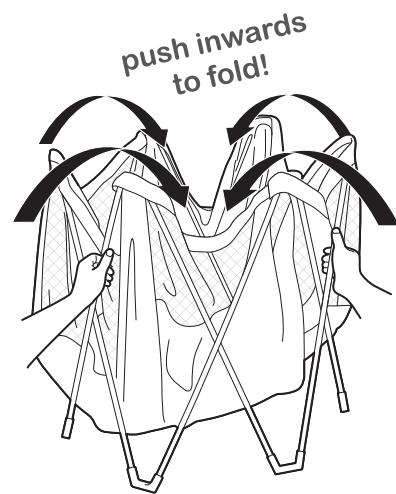
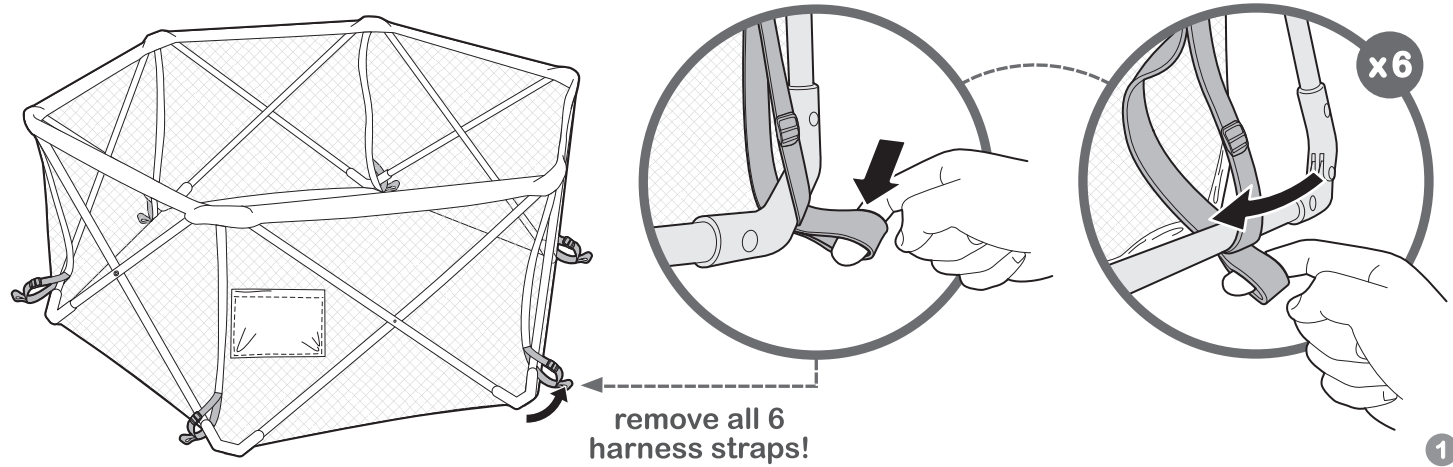


playard fold up and storage:



maintenance:

- Never use this product if there are any loose or missing fasteners, loose joints, broken parts or torn mesh/fabric. Check product before assembly and periodically during use. Contact Summer Infant if any of these conditions are observed.
- Wipe surface with a damp cloth or sponge, using mild detergent and warm water to clean. Towel or air dry.



We **LOVE** our consumers!
Get to know us at:

www.summerinfant.com

Summer Infant stands behind all of its products. If you are not completely satisfied or have any questions, please contact our Consumer Relations Team at **1-800-268-6237** or www.summerinfant.com/contact
(For Europe call +44 (0)144 250 5000 or customerserviceuk@summerinfant.com)

connect with us:



Summer Infant, Inc.
1275 Park East Drive
Woonsocket, RI 02895 USA
1-800-268-6237
© 2014 Summer Infant, Inc.

Summer Infant Europe, Ltd.
First Floor, North Wing
Focus 31, Cleveland Road
Hemel Hempstead, HP2 7BW UK
+44 (0) 144 250 5000

Please retain information
for future reference.
Colors and styles may vary.
MADE IN CHINA.
4/15



27510A, 27390A

Please read the following instructions and warnings
BEFORE assembly and USE of the playard.

KEEP THIS INSTRUCTION MANUAL FOR FUTURE USE.

Tools required: none

For technical support, contact us at **1-800-268-6237**

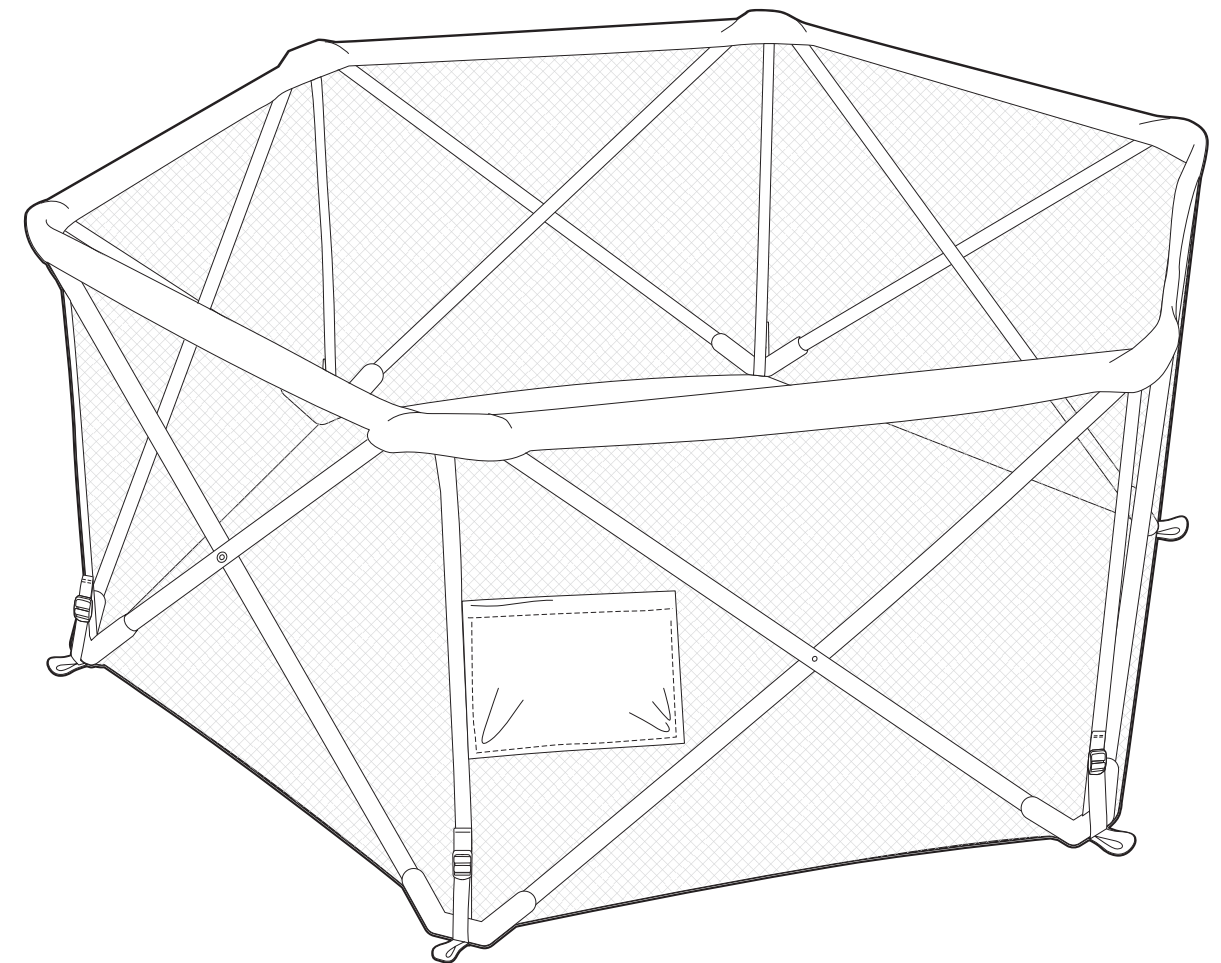
or www.summerinfant.com/contact

For use with children from
6 to 24 months or 35 inches tall, whichever comes first.

Keep small parts away from children.

Adult assembly required.

Playard's floor surface is 14 sq. ft.



Pop 'n Play Portable Playard

INSTRUCTION MANUAL

Thank you for purchasing the Pop 'n Play Portable Playard from Summer Infant. This helpful playard allows you to create and maintain a secure environment for your child or pets. The playard can be set up and taken down quickly and easily.

⚠️ **WARNING: IMPORTANT! KEEP FOR FUTURE REFERENCE!**

Failure to follow these warnings and the instructions could result in serious injury or death. Please read Instruction Manual before set-up. If you misplace your Instruction Manual, NEVER use this product. Contact Summer Infant for a replacement Instruction Manual.

- The Playard, including all rails, must be fully erected prior to use.
- Make sure all straps are secure.
- Discontinue use of the product when child is able to climb out or reaches the height of 35 inches (890 mm).
- Child can become entrapped and die when improvised netting or covers are placed on top of the playard. Never add such items to confine child in playard.
- When child is able to pull to a standing position, remove any objects, such as large toys, in playard that could serve as steps for climbing out.
- Always provide the supervision necessary for the continued safety of your child.
- When playard is used for playing, never leave child unattended.
- To reduce the risk of SIDS, pediatricians recommend healthy infants be placed on their backs to sleep, unless otherwise advised by your physician.
- Never use this product if there are any loose or missing fasteners, loose joints, broken parts or torn mesh/fabric. Check product before assembly and periodically during use. Contact Summer Infant if any of these conditions are observed.
- Never use plastic shipping bags or plastic film. They can cause suffocation.
- Never use a water mattress with this product.

⚠️ **SUFFOCATION HAZARD:**

Infants can suffocate:

- In gaps between an extra pad and side of the playard.
- In gaps between a mattress too small or too thick and product sides.
- On soft bedding.
- NEVER add a mattress, pillow, comforter or pad/padding.

⚠️ **STRANGULATION HAZARD:**

Strings and cords can cause strangulation! Keep strings and cords away from child:

- NEVER place the playard near a window where cords from blinds or drapes can strangle a child.
- NEVER hang strings on or over the playard.
- NEVER place items with a string around a child's neck, such as hood strings, pacifier cords, etc.
- NEVER attach strings to toys.

⚠️ **PLAYARD SET-UP:**

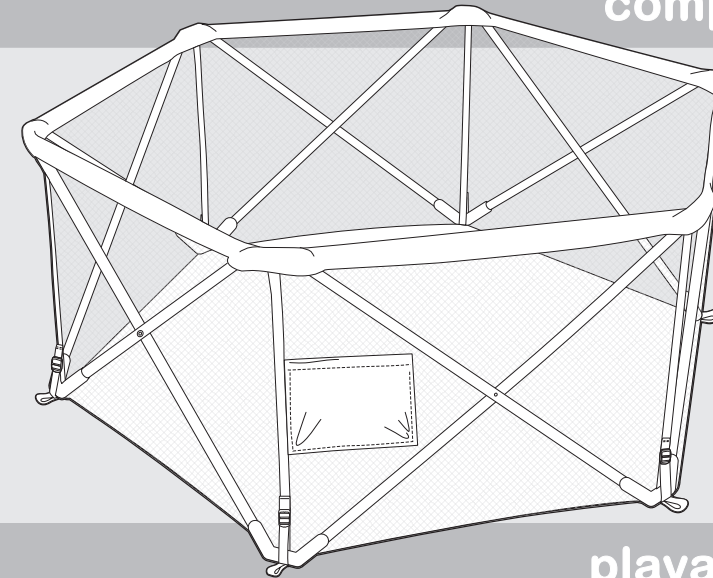
- Keep fingers clear of folding mechanism during folding and unfolding.
- Keep all children away from the playard during assembly and take down. (sides not fully expanded)
- ALWAYS set up playard on a flat, level surface. Check floor/ground surface underneath playard floor to assure that it is clear of any objects that may injure your child. Insure surface is suitable for your child to play on.

Conforms to ASTM F 406 Standard Consumer Safety Specification for Play Yards.

⚠️ **CAUTION: KEEP SMALL PARTS OUT OF CHILD'S REACH.**

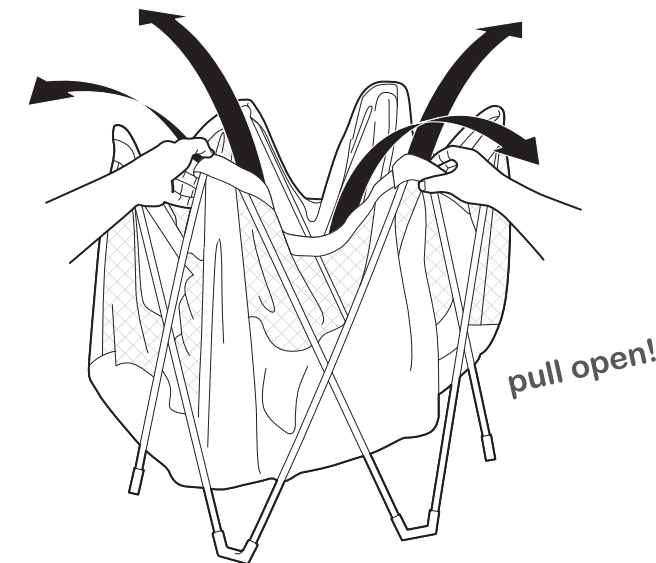
IMPORTANT – Read the instructions carefully before use and keep them for future reference.

components:



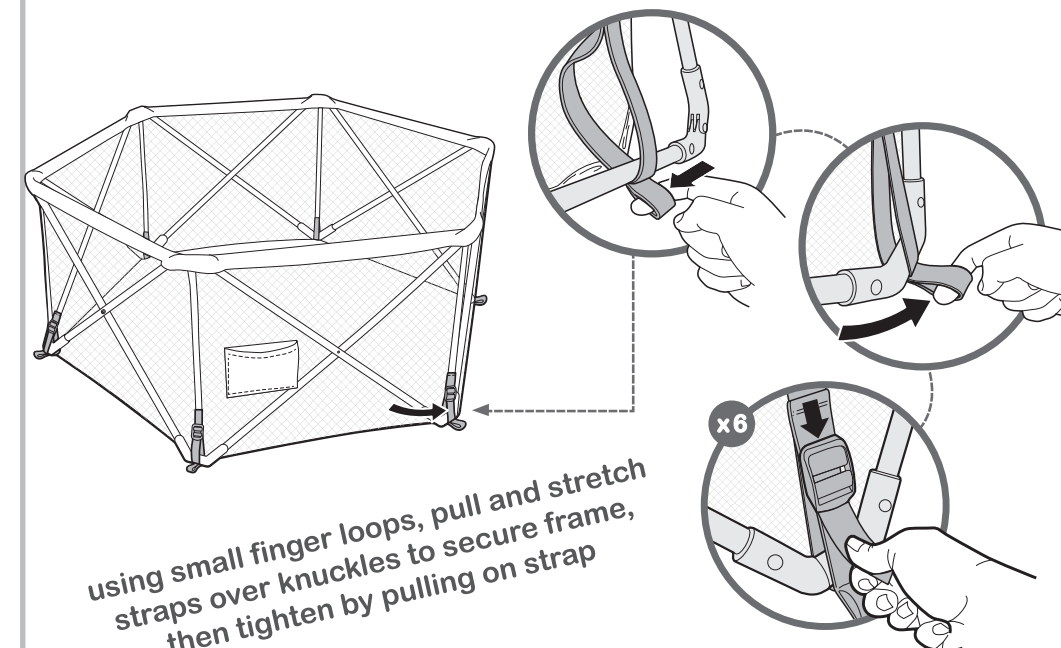
- A Playard
- B Travel/Storage Bag

playard setup:

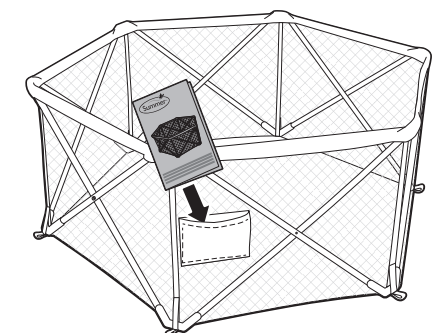


IMPORTANT!

For use with children from 6 to 24 months or 35 inches tall, whichever comes first.



store instructions in pouch!



FINISHED!