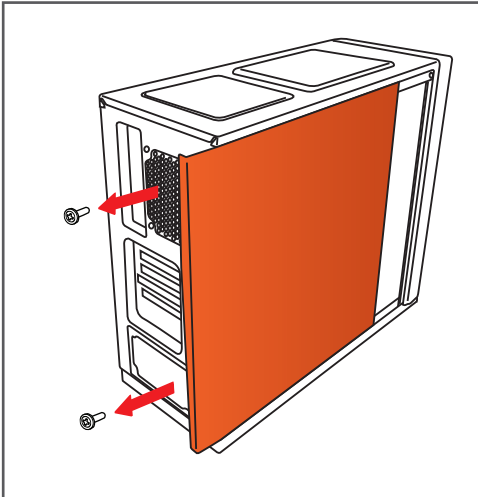


CYBERPOWERPC takes great pride in delivering you a high quality product so please follow the steps below to ensure your system is properly prepared for operation before turning on your computer.

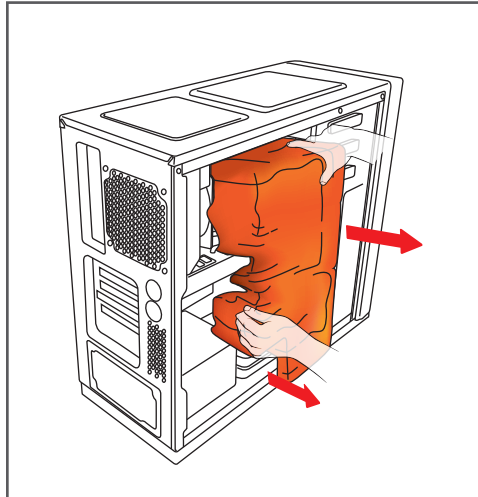
## Step 1 Packaging Foam Removal

(If Installed With Your Purchase)

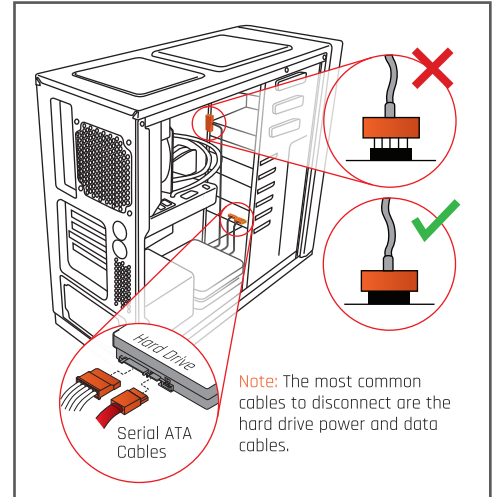
Some systems may include a protective foam inside the case that **must be removed** before turning on the computer.



**Remove** screws from left side panel and remove the panel.



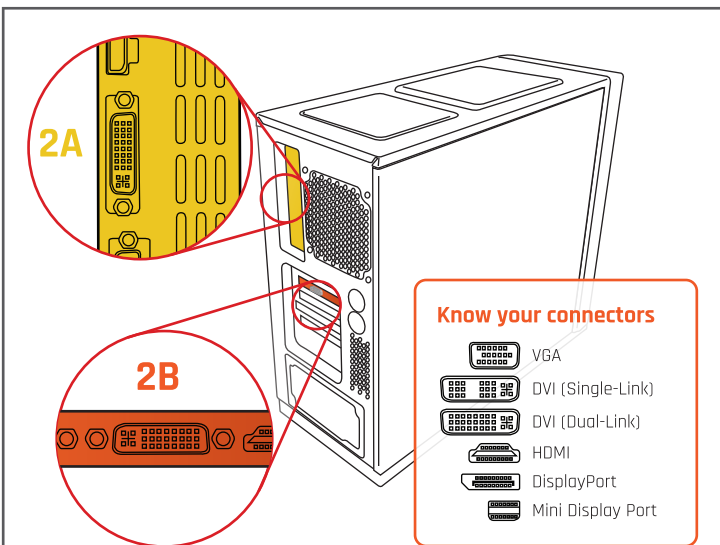
**Always** carefully remove the protective foam before turning on.



**Inspect** all cables to ensure none were disconnected during shipping.

## Step 2 Connecting your display

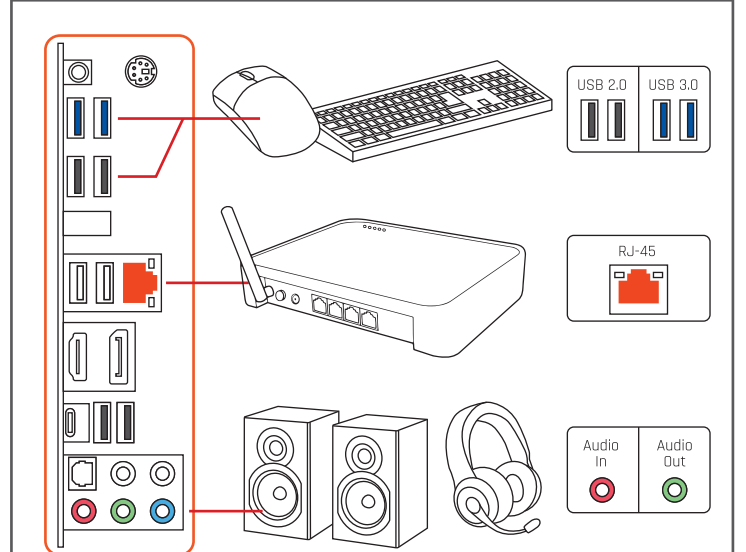
Some systems will have an add-on graphics card, please see below to identify which monitor connector you should be using.



**Always** connect your display to the ports at **2B**, however, if you don't have connectors there then use the connectors at **2A**.

## Step 3 Connecting Your Peripherals

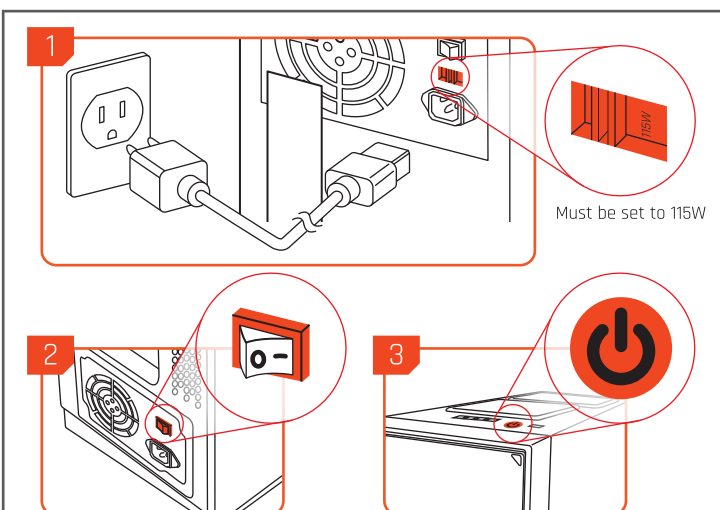
Connect your peripherals such as your mouse, keyboard, speakers, headset and network to the appropriate ports.



**Note** most peripherals today are color coordinated so when in doubt match the color of the connectors together with the matching ports on the system.

## Step 4 Powering on your system

Use the included power cord and connect the cable to your system's power supply and the other end to a wall outlet.



**Remember** you may need to switch on the system's power supply first before you can power on your computer with the front power button. (fig.2)

## Step 5 Find Your Windows Product Key

After your system starts up for the first time you will need your Windows product key located on the side of the system.



**Copy** the code exactly as it is on the sticker. It is also recommended that you take a picture of the sticker to keep as a reference. (Don't have one? See FAQ for details.)