

30-INCH BARREL CHARCOAL GRILL WITH SIDE TABLE

PARRILLA DE CARBÓN DE 30 PULGADAS CON MESA LATERAL

GRIL À CHARBON DE 30 POUCES AVEC TABLE D'APPOINT



FOR YOUR SAFETY! | ¡PARA SU SEGURIDAD! | POUR VOTRE SÉCURITÉ!

Use outdoors only!
Read the instructions before
assembling and using the appliance.

¡Solo usa al aire libre!
Lea las instrucciones antes
de montar y utilizar el aparato.

Utilisez uniquement à l'extérieur!
Lisez les instructions avant
d'assembler et d'utiliser l'appareil.

CONTACT US FIRST! | ¡PÓNGASE EN CONTACTO CON NOSOTROS PRIMERO! | CONTACTEZ-NOUS D'ABORD!

If you have any questions that are
not addressed, please contact us first.

Si tiene alguna pregunta que no se
aborde en este Manual del Usuario,
póngase en contacto con nosotros primero.

Si vous avez des questions qui ne
sont pas traitées dans ce manuel de
l'utilisateur, contactez-nous d'abord.



Customer Service / Servicio al Cliente / Service de Clientèle

1-800-618-6798

service@royalgourmetusa.com

Learn more at / Obtener más información en / Pour en savoir plus:

www.royalgourmetcorp.com



CONTENTS

For Your Safety	2-3
Operation Instructions	4-5
Grilling Preparation	4
Types of Charcoal	4
Building the Fire	4-5
Indirect Operation	5
Cleaning and Maintenance	6
Meat Temperature Guide	7-8
Warranty and Customer Service	9
Parts Diagram	28
Parts List	29-30
Hardware List	31
Assembly	32-35

After unpacking and before every use, check whether there is any sign of damage. If there is any damage, please do not use the grill and call customer service at 1-800-618-6798.

This owner's manual follows the standards and regulations applicable in the USA. For other countries, please follow the country-specific directives and laws!



Please read this owner's manual before using the grill, to ensure safe and reliable use of this product. Failure to follow the instructions in this manual could result in bodily injury and/or property damage. Keep this owner's manual in a safe place and please provide this owner's manual along with the grill if you give it to someone else.

⚠ DANGER: FIRE HAZARD ⚠

1. Do not use indoors!
2. Do not use spirit or petrol for lighting or relighting!
3. Live coals and grill components can get extremely hot during use and can start fires, do not move the grill when in use!
4. Set up your grill at least 3 feet (91 cm) away from any wall or surface. Maintain at least 10 feet (3 m) clearance to objects that can catch fire or sources of ignition such as gas cans, LP cylinders, vehicle fuel cylinders, etc.
5. Do not use this grill on or near combustible surfaces or structures such as wood decks, dry leaves or grass, vinyl or wood siding, etc.
6. It is imperative that you have a fire extinguisher and first-aid kit handy in case of an accident or fire.
7. Place the grill on an even, horizontal, secure, heat-resistant, and clean surface.
8. Ignite the charcoal only at a sheltered location.
9. Fill the grill with a max. 4.4 lb. of charcoal for the chamber.
10. Some foods produce flammable fats and juices. Clean the grill regularly preferably after each use.
11. Only tip out the ash once the charcoal has completely burned out and cooled down.

⚠ DANGER: RISK OF BURNING AND ACCIDENTS ⚠

1. This device is not intended for use by persons (including children) with limited physical, sensory, or mental capacities, or lacking experience, or knowledge. Such persons must be informed about the dangers of using the appliance and supervised by a person responsible for their safety.
2. Any modifications to the product may lead to a large safety risk and are forbidden. Do not undertake any unauthorized modifications. In case of damage, repair, or other problems with the grill, contact our customer service at 1-800-618-6798, or send an email to service@royalgourmetusa.com
3. Keep children and pets away from the appliance. Keep sufficient distance from the hot parts. The grill, the charcoal, and the grilled food can become hot during use. Any direct contact can result in serious burns.
4. Always wear oven mitts or BBQ gloves when grilling.
5. Use only long-handled utensils with heat-resistant grips.
6. Do not wear any clothing with wide sleeves while using this appliance.
7. Use only dry lighters or special fluid lighters.
8. Let the grill cool down completely before cleaning and/or placing in storage.

⚠ DANGER: RISK OF EXPLOSION ⚠

Flammable liquids that are poured on the embers may cause flash flames or explosions.

1. Never use flammable liquids such as petrol or spirit.
2. Do not put pieces of charcoal soaked in flammable liquid onto the embers.

⚠ DANGER: CARBON MONOXIDE HAZARD ⚠

When burning charcoals, barbecue briquettes, etc., carbon monoxide is formed. This gas is odorless and can be fatal in closed spaces!

1. NEVER burn charcoal inside houses, vehicles, tents or other enclosed space.
2. Use the grill OUTDOORS ONLY.

DANGER: HEALTH RISK

Do not use any decolorants or thinners to remove stains. These are harmful to health and must not come into contact with food.

DANGER: INJURY TO CHILDREN

While playing, children can become caught in the packaging film and choked.

1. Do not let children play with the packaging film.
2. Make sure that children do not put any small assembly parts into their mouths. They could choke on the parts if they swallow them.

DANGER: RISK OF INJURY

1. Some parts may contain sharp edges!
2. Be careful when touching the grill and its components as there is risk of accidents and/or injury during assembly and use. Wear protective gloves if necessary.
3. Do not set up the grill near entryways or where a lot of people move around.
4. Follow all the assembly instructions. First read the assembly instructions completely. Allow yourself enough time for assembly and find an even working space of two to three square meters. Small parts are preassembled.
5. Always exercise extreme caution while grilling. If distracted, you can lose control of the appliance.
6. Always be attentive and aware of what you are doing. Do not use the grill if you are not focused, tired, or under the influence of drugs, alcohol, or medication. Just one moment of carelessness during use of the product can lead to serious injuries. This appliance is not intended for commercial use.

DANGER: RISK OF DAMAGE

1. During use, the screws may loosen slowly and impair the grill's stability. Check that the screws are well-tightened prior to each use. If necessary, tighten all the screws again to ensure the grill is standing securely.
2. Do not use any strong or grinding solvents or abrasive ZJA pads, as these can damage the surface and leave behind scrape marks.



CALIFORNIA PROPOSITION 65 WARNINGS

1. Fuels used in wood and charcoal burning appliances and the combustible byproducts of such fuels, can expose you to chemicals including carbon black and wood dust, which are known to the State of California to cause cancer, and carbon monoxide, which is known to the State of California to cause birth defects or other reproductive harm.
2. This product can expose you to chemicals including Nickel (Metallic), which is known to the State of California to cause cancer.
3. This product contains Lead and Lead Compounds known to the State of California to cause cancer and birth defects or other reproductive harm.

Wash hands after handling this product.

For more information, go to: www.P65Warnings.ca.gov

GRILLING PREPARATION

UNPACK GRILL

Unpack the grill and dispose of all packaging materials. Keep the packaging materials out of the reach of children and dispose of them according to regulations after assembly of the grill.

Before use, place the grill on an even, sturdy surface outdoors.

PRE-FIRING

Prior to first use, wash the cooking grates and the warming rack with warm soapy water. Before your first cooking with your grill, the following steps should be closely followed to both protect the interior and exterior finish and season the interior steel. Failure to properly follow these steps may impart unnatural flavors to your first foods, damage the finish, and result in affecting the overall durability of your grill.

1. Lightly coat interior surfaces of grills including cooking grates with vegetable cooking oil. This will extend the life of the finish, much like waxing a car.
2. Build a small fire on the charcoal pan, make sure not to lay coals against the walls.
3. Sustain burning for about two hours with lid closed and the damper to 1/4 of the way open. Allow the grill to cool down properly.
4. Your grill will then be ready for use.

⚠ WARNING ⚠

Grill will drip oil during this process and for several uses afterwards. This is normal.

NEVER EXCEED 400 °F (204 °C) AS THIS WILL DAMAGE THE FINISH AND CONTRIBUTE TO RUST. PAINT IS NOT UNDER WARRANTY AND WILL REQUIRE TOUCH-UP. THE PRODUCT IS NOT WARRANTED AGAINST RUST.

TYPES OF CHARCOAL

You can burn either charcoal briquettes or natural lump charcoal, which have different attributes. Charcoal briquettes typically provide longer cooking time and are usually less expensive while lump charcoal burns hotter and produces less ash. For a more robust smoke flavor while using charcoal briquettes or lump charcoal, try adding wood chips or several wood chunks to the fire.

TIPS FOR USING WOOD CHIPS

A lot of smoke is produced when using wood chips. Smoke can escape through seams and turn the inside of the grill black. This is normal. Wood chips can be used to produce smoke and create the smoke flavor. Never use more than 1 box of wood chips at a time. You can put dry or pre-soaked wood chips in smoker boxes or foil packets on the cooking grates. Dry chips burn faster and produce more intense smoke. Chips pre-soaked in water (for approximately 30 minutes) burn slower and produce a less intense smoke. Check wood chip box periodically to see if wood has burned down. Add more chips as required.

SMOKING WITH WOOD CHUNKS

Wood chunks are available in a variety of natural flavors and can be used alone or in addition to charcoal. As a rule, any hardwood that bears a fruit or nut is suitable for cooking. However, different woods have different tastes. Experiment with different woods to determine your personal favorite, and always use well-seasoned wood. Green or fresh-cut wood can turn food black and bitter.

OUR RECOMMENDATIONS:

Chicken – Alder, Apple, Hickory, Mesquite, Sassafras, Grapevine
Beef – Hickory, Mesquite, Oak, Grapevine
Pork – Fruitwoods, Hickory, Oak, Sassafras
Lamb – Fruitwoods, Mesquite

Veal – Fruitwoods, Grapevine
Seafood – Alder, Mesquite, Sassafras, Grapevine
Vegetables – Mesquite

BUILDING THE FIRE

1. Open the lid and remove the cooking grates.
2. To start a charcoal fire, we recommended to stack 2 lb. (approximately 25 briquettes) into a pyramid-shaped pile and saturate with lighter fluid (according to lighter fluid instructions), adding more as needed on the charcoal pan. Allow them to ash over before adding more.
NOTE: Do not use gasoline, kerosene, or alcohol for lighting charcoal. Use of any of these or similar products can cause an explosion possibly leading to severe bodily injury.
3. After the briquettes ash over and produce a red glow, spread them evenly across the charcoal pan. Please use a suitable heat-resistant tool with a long, heat-resistant handle when you do this.
4. Put the cooking grates in place and adjust the charcoal pan set to the desired height by the lifting handle and start cooking.

5. If the charcoal is not burning evenly, please use long-handled tongs to move them for even heat.
6. Leave the lid open or closed based on the type of BBQ meat. Please close the lid when longer cooking time is needed. The thermometer located on the lid shows the temperature to ensure it is not too high for a particular BBQ meat.

WARNING

1. Chimney starters, electric starters, or other types of fire starters may be used instead of lighter fluid to light fire but use only according to manufacturer's instructions. Never use instant light charcoal or charcoal lighter fluid with any other starting methods.
2. Allow enough time for grilling to heat up before cooking. You can't cook properly when the grill is cold, and you can't build a fire properly when you are busy preparing food. Once the fire is burning well, it is easy to keep it going with a little attention.

TEMPERATURE ADJUSTING

Open the damper to allow more fresh air into the grill, thus ensuring a higher internal cooking temperature, and close the damper as needed to decrease the airflow for a lower cooking temperature. You may spread the coals out a bit more to make the fire less intense if the temperature is too high, lift or lower the adjustable charcoal pan to further control the cooking temperature as needed.

NOTE: Always use a flame-retardant insulated grill mitt when adjusting the damper or the charcoal pan.

ADDING CHARCOALS WHILE GRILLING

1. Wear a flame-retardant insulated grill mitt and open the lid.
2. Remove food and cooking grates.
3. Stand back at a safe distance and use long-handled tongs to stoke coals, adding charcoals as needed.
4. When charcoals are burning again, replace cooking grates and food.

WARNING

1. Use extreme caution to avoid injury when adding charcoals.
2. Do not use lighter fluid or instant light charcoal when adding additional charcoal to an existing fire. This is dangerous and can cause injury. It will also leave a lighter fluid aftertaste on your food. Only add regular charcoal or wood chunks to an existing fire.

INDIRECT OPERATION

1. For items that take longer to cook, you will want to use indirect grilling. This method is for long, slow cooking in the grill with lid closed.
2. For indirect cooking, the coals are piled two or three coals deep on one side of the charcoal grill, or divided and piled on two sides. This leaves an empty space next to the coals or between them. Food cooked over indirect heat is often started over direct heat and then moved to the cooler (empty) part of the grill for even, slow cooking. To make the heat as even as possible, construct two piles of coals.
3. It is common to place a metal drip pan in the empty space beside or between the coals, which is filled with water, wine, beer, broth, or a combination. Place the food directly over the drip pan. This injects a little extra moisture into the cooking environment and also catches dripping juices, which makes clean-up a little easier and reduces the possibility of flare-ups. (Remember to keep a spray bottle filled with water on hand to extinguish any flare-ups.)
4. Once you get used to the indirect method, you may prefer to use it for more grilling tasks. Although it may take a little longer, it is an excellent cooking method and a sure way to prevent the food from burning and to promote even cooking.

TIPS FOR INDIRECT SMOKING

Pans are not included, and a disposable bread pan is recommended. Please purchase it separately.

1. If you want to sear certain foods before smoking, please place meat directly above charcoals on the cooking grates with lid open for several minutes.
2. Add flavor-soaked wood chips to the fire and add 1 part marinade, beer, or wine with 3 parts water into the drip pan.
3. Open the smoking chamber will extend cooking time.
4. Insert the thermometer into the thickest part not touching the bone and allow five minutes to register.
5. Check the water level when cooking for more than 4 hours or when you can't hear the water simmering.
6. Add water by turning the meat over and pouring water through the grates into the water pan.

IF THE SMOKE IS WHITE, THE FIRE IS PERFECT.

IF THE SMOKE IS BLACK, YOU NEED MORE AIRFLOW.

Your new grill has been designed and manufactured to high quality standards. It will provide you with many years of fun grilling time, however, it requires a minimal amount of maintenance.

ASH CLEANING & REGULAR MAINTENANCE

After the fire is completely extinguished, you should wait several hours before emptying the ashes to ensure they are not hot, or else there will be risk of burns.

1. If there are pieces of partially burned charcoal on the charcoal pan, you can save them for use the next time. They are still good.
2. Tap the sides of the chamber to loosen any ash that is on the sides.
3. Remove the charcoal pan set. Give it a few firm taps to loosen any ash that may be stuck.
4. Empty out the cold ash. It is particularly important that you remove the ash before moisture combines with the cold ash. Ash collects moisture, which can cause premature rusting and decay from the inside of the chamber.
5. Place the ashes in a metal container and fill with water to ensure there are no lit coals, then you can dispose of the ashes.
6. Let the charcoal burn out completely after grilling. This eases the cleaning effort by burning away excess fat and BBQ residue.
7. Clean the grill regularly and optimally after every use.
8. Remove the cooking grates and clean them thoroughly with soapy water. Then dry them off thoroughly.
9. Use a wet sponge to remove loose residue from the grill.
10. Use a soft, clean cloth for drying. Do not scratch the surfaces when wipe them dry.
11. Clean the internal and external surfaces with warm soapy water.
12. Tighten all screws before every use to ensure your grill is stable at all times.
13. Protect your grill against weather. Since it is manufactured from steel it will gradually rust. Clean possible rust spots and repair them with fireproof paint.

NEVER PAINT THE INTERIOR OF THE GRILL.

GRILL STORAGE

1. Clean your grill before storage. Store in a cool dry place.
2. The grill should always be stored where it is protected from moisture.
NOTE: DO NOT leave charcoal in your grill when you are not using it. Charcoal and ashes left inside the ash tray may reduce the durability of your grill.
3. A cover is highly recommended to protect your grill. Choose from a variety of grill covers offered by the manufacturers.

DISPOSAL



The packaging is made from environmentally friendly materials, which you can dispose at your local recycling points.



Do not dispose of the grill in normal household waste under any circumstance! Dispose it at an approved disposal site or at your community disposal facility. Respect the current valid regulations. If in doubt, get in touch with your disposal facility.

DIRECT HEAT

BEEF INTERNAL TEMPERATURE CHART			
Cooking Degree	Internal Core Temperature	Internal Description	Firmness
Rare	125 °F	Center is bright red, pinkish toward the outer portion, and warm throughout	Soft to the touch
Medium Rare	130-135 °F	Center is very pink, slightly brown toward the outer portion and slightly hot	Yields only slightly to the touch
Medium	140-145 °F	Center is light pink, outer portion is brown and hot throughout	Beginning to firm to the touch
Medium Well	150-155 °F	Mostly brownish gray throughout with a hint of pink in the center	Firm to the touch
Well Done	155 °F and above	Steak is brownish gray throughout	Firm or hard to the touch
POULTRY INTERNAL TEMPERATURE CHART			
Whole Chicken	165 °F	Cook until the juices run clear	Firm to the touch
Dark Meat	165 °F	Cook until white throughout but still moist	Firm to the touch
Breast Meat	165 °F	Cook until white throughout but still moist	Firm to the touch
Thigh, Wings and Legs	165 °F	Mostly brownish gray throughout with a hint of pink in the center	Firm to the touch
PORK INTERNAL TEMPERATURE CHART			
Medium	150 °F	Pink in the center	
Well Done	160 °F and above	Pork is uniformly white/brown throughout	
Pork Ribs	180-200 °F	Pale white. Cook medium to well done	
Raw Sausage	160 °F	No longer pink	
Sausage (Pre-cooked)	140 °F	No longer pink	

INDIRECT HEAT

Food	Weight	Main charcoal chamber	Temperature in meat thermometer
Beef Roasts, Beef Brisket	3-4 lb.	1-1½ hours	140 °F rare
Lamb Roasts, Venison	5-7 lb.	1¾-2½ hours	160 °F medium
Large cuts of Game	7-9 lb.	2½-3½ hours	170 °F well done
Pork Roasts	3-4 lb. 5-8 lb.	1¾-2½ hours 2½-3 hours	170 °F 170 °F
Pork/Beef Ribs	Full grill	1½-2 hours	Meat pulls from bone
Pork Chops	Full grill	¾-1¼ hours	Meat pulls from bone
Sausage Links	Full grill	2-2¾ hours	170 °F for fresh sausage
Ham, Fresh	10 lb.	3-4 hours	170 °F
Ham, Cooked	All sizes	1½-2 hours	130 °F
Chicken (Cut up or split)	1-4 fryers, cut-up or split	1-1¼ hours	180 °F/leg moves easily in joint
Chicken (Whole)	1-4 fryers	1¼-1½ hours	180 °F/leg moves easily in joint
Turkey (Unstuffed)	8-12 lb.	1¾-2½ hours	180 °F/leg moves easily in joint
Fish, small whole	Full grill	½-¾ hour	Flakes with fork
Fish, filets, steak	Full grill	¼-½ hour	Flakes with fork
Duck	3-5 lb.	1-1¼ hours	180 °F/leg moves easily in joint
Small game birds	Full grill	¾-1 hour	180 °F/leg moves easily in joint

Thanks for purchasing this Royal Gourmet® 30-Inch Barrel Charcoal Grill with Side Table.

Royal Gourmet warrants its products to be free from defects in materials and workmanship under proper assembly, normal residential use and recommended care for **1-Year Full Warranty** from the date of original retail purchase. The warranty does not cover paint finish as it may burn off during normal use. **RUST is not considered a manufacturing or materials defect.**

Within the stated warranty period, Royal Gourmet, at its discretion, shall replace defective components free of charge, with the owner being responsible for shipping. Royal Gourmet reserves the right to require that defective parts be returned, postage and/or freight pre-paid by the consumer for review and examination. In the event of parts availability issues, Royal Gourmet reserves the right to substitute like or similar parts that are equally functional. Upon the expiration of such warranty, all such liability shall terminate.

Note: A dated sales receipt along with Model Number and Serial Number will be required for the warranty service.

The limited warranty will not reimburse you for the cost of any inconvenience, food, personal injury or property damage. All warranty coverage is void if this grill is ever used for commercial or rental purposes. And this limited warranty applies to the functionality of the product **ONLY** and does not cover cosmetic issues such as scratches, dents, corrosions or discoloring by heat, abrasive and chemical cleaners or any tools used in the assembly or installation of the appliance, surface rust, or the discoloration of stainless steel surfaces.

ITEMS NOT COVERED IN THE WARRANTY SERVICE

Any failures or operating difficulties due to accident, abuse, misuse, alteration, misapplication, vandalism, improper installation or improper maintenance or service, or failure to perform normal and routine maintenance, including but not limited to damage caused by insects within the burner tubes, as set out in the owner's manual.

Deterioration or damage due to severe weather conditions such as hail, hurricanes, earthquakes or tornadoes, discoloration due to exposure to chemicals either directly or in the atmosphere.

Cost of service calls to your home.

Costs of removal or re-installation.

Pickup and delivery of your product.

Shipping or transportation costs.

Labor costs for installation and repair.

Liability for indirect, or consequential damages.

This limited warranty is the sole warranty given by Royal Gourmet and is in lieu of all other warranties, expressed or implied including implied warranty, merchantability, or fitness for a particular purpose. Neither Royal Gourmet nor the retail establishment selling this product has authority to make any warranties or to promise any remedies in addition to or inconsistent with those stated above.

Royal Gourmet's **maximum liability**, in any event, shall not exceed the purchase price of the product paid by the original consumer purchaser. Some states do not allow the exclusion or limitation of incidental or consequential damages. In such a case, the above limitations or exclusions may not be applicable.

Do not return parts without prior to obtaining return authorization from our customer service department.

Please do not hesitate to contact our customer service when you have any questions regarding assembly, warranty, or accessories. We will be happy to offer any replacement parts you need during the warranty period.



1-800-618-6798



service@royalgourmetusa.com



Mon-Fri, 8:30 AM-5:00 PM, EST

ÍNDICE

Para su seguridad	11-12
Instrucciones de funcionamiento	13-14
Preparación del asado	13
Tipos de carbón	13
Construyendo el fuego	13-14
Operación indirecta	14
Limpieza y mantenimiento	15
Guía de temperatura	16-17
Garantía y servicio al cliente	18
Diagrama de partes	28
Lista de piezas	29-30
Lista de hardware	31
Montaje	32-35

Tras desembalar y antes de cada uso, compruebe si el artículo presenta signos de daños. Si hay algún daño, no utilice la parrilla y llame a servicio al cliente al 1-800-618-6798.

El manual de operación se basa en las normas y regulaciones aplicables en los Estados Unidos. ¡Los demás países tienen sus propias directivas y leyes!



Antes de encender, lea atentamente el manual de operación. Solo entonces podrá utilizar todas las funciones de forma segura y fiable. De no seguir las instrucciones de este manual, podría ocurrir lesiones y/o daños materiales. Guarde las instrucciones de montaje y entréguelas a cualquier siguiente propietario de la parrilla.

⚠ PELIGRO: RIESGO DE INCENDIO ⚠

1. No utilizar en interior.
2. No utilizar alcohol o gasolina para encender o volver a encender.
3. Este aparato se calienta en extremo, no lo mueva durante su funcionamiento.
4. Use el ahumador al menos a 3 pies (91 cm) de cualquier pared o superficie. Mantenga un espacio libre de 10 pies (3 m) de objetos que pudieran incendiarse o fuentes de ignición como bidones de combustibles, bombonas de LP, bombonas de combustible vehicular, etc.
5. No use este ahumador sobre o cerca de superficies o estructuras combustibles tales como tarimas de madera, hojas o pasto seco, vinilo o madera, etc.
6. Es esencial tener un extintor de incendios y un kit de primeros auxilios preparados para un accidente o incendio.
7. Coloque la parrilla en una superficie nivelada, horizontal, segura, resistente al calor y limpia.
8. Encienda el carbón sólo en ubicaciones resguardadas.
9. Llene la parrilla con un máx. 4,4 lb. de carbón para la cámara principal.
10. Algunos alimentos producen grasas y jugos inflamables. Limpie la parrilla regularmente, preferiblemente tras cada uso.
11. Retire las cenizas únicamente cuando el carbón se haya consumido y enfriado completamente.

⚠ PELIGRO: RIESGO DE QUEMADURAS Y ACCIDENTES ⚠

1. Este dispositivo no está diseñado para ser utilizado por personas (niños incluidos) con capacidades físicas, sensoriales o mentales limitadas, o carentes de experiencia o conocimiento. Tales personas deben ser informadas sobre los peligros del dispositivo y deben ser supervisadas por personas responsables de su seguridad.
2. Se prohíbe cualquier modificación del producto ya que representa un grave riesgo de seguridad. No realice ninguna conversión no autorizada usted mismo. En caso de daños, reparaciones u otros problemas con la parrilla, contacte con nuestro servicio de atención al cliente en el 1-800-618-6798 o envíenos un correo electrónico a service@royalgourmetusa.com
3. Mantener alejados del aparato a niños y mascotas. Mantener suficiente distancia de las partes. La parrilla, el carbón y la comida cocinada se calientan en extremo durante el uso. Cualquier contacto puede resultar en quemaduras graves.
4. Utilice siempre guantes de horno o guantes de barbacoa cuando use la parrilla.
5. Utilice únicamente utensilios de mango largo con agarres resistentes al calor.
6. No utilice ropa con mangas anchas.
7. Utilice únicamente encendedores secos o encendedores de fluido especial.
8. Permita que la parrilla se seque completamente antes de limpiarla y/o almacenarla.

⚠ PELIGRO: RIESGO DE DEFLAGRACIÓN ⚠

Los líquidos inflamables vertidos a las brasas provocan llamas o deflagraciones.

1. Nunca utilice líquidos inflamables como gasolina o bebidas alcohólicas.
2. No coloque piezas de carbón empapadas en líquidos inflamables en las brasas.

PELIGRO: PELIGRO DE MONÓXIDO DE CARBONO

Cuando quema carbón, briquetas de barbacoa, etc., se forma monóxido de carbono. ¡Este gas no tiene olor y puede provocar la muerte en espacios cerrados!

1. NUNCA quemar carbón vegetal dentro de casas, vehículos, tiendas u otros espacios cerrados.
2. Utilice la parrilla únicamente al aire libre.

PELIGRO: RIESGO PARA LA SALUD

No utilice decolorantes o disolventes para eliminar las manchas. Estos son dañinos para la salud y no deben entrar en contacto con la comida.

PELIGRO: RIESGOS PARA LOS NIÑOS

Durante el juego, los niños pueden quedar atrapados en el filme de embalaje y asfixiarse.

1. No permita que los niños jueguen con los filmes de embalaje.
2. Asegúrese de que los niños no se introduzcan piezas pequeñas en la boca. Podrían tragarse las piezas y asfixiarse.

PELIGRO: RIESGO DE LESIONES

1. Algunas piezas pueden tener bordes afilados.
2. Tenga cuidado con las piezas pequeñas para evitar accidentes y/o lesiones durante el montaje y el uso. Utilice guantes protectores si es necesario.
3. No instale la parrilla en entradas o zonas con mucha concurrencia.
4. Siga todas las instrucciones de montaje. Primero lea completamente todas las instrucciones de montaje. Tómese el tiempo necesario para el montaje y encuentre un espacio nivelado de trabajo de entre dos y tres metros cuadrados. Las piezas pequeñas probablemente vendrán ya montadas.
5. Tenga siempre extrema precaución durante el uso de la parrilla. Si se distrae, puede perder el control del dispositivo.
6. Preste siempre atención a lo que esté haciendo. No utilice la parrilla si no está concentrado, está cansado o bajo la influencia de drogas, alcohol o medicación. Solo un descuido durante el uso del producto puede resultar en lesiones severas. Este aparato no está destinado a un uso comercial.

PELIGRO: RIESGO DE DAÑOS

1. Durante el uso, los tornillos pueden aflojarse poco a poco y desestabilizar la parrilla. Compruebe la estabilidad de los tornillos antes de cada uso. Si es necesario, apriete todos los tornillos de nuevo para asegurar que la estabilidad de la parrilla.
2. No utilice disolventes abrasivos o estropajos ya que podrían dañar la superficie y dejar marcas de rasguños.



ADVERTENCIAS DE LA PROPUESTA 65 DE CALIFORNIA

1. Los combustibles usados en aparatos que utilizan carbón y leña y los productos derivados de su combustión pueden producir exposición a productos químicos como el negro de carbón y el polvo de madera, que son conocidos causantes de cáncer; o monóxido de carbono, que es conocido causante de malformaciones al nacer y otros daños reproductivos.
2. Este producto puede producir exposición a productos químicos, incluyendo Níquel (Metálico), que es un conocido causante de cáncer para el Estado de California.
3. Este producto contiene Plomo y Compuestos de Plomo que el Estado de California reconoce como causantes de cáncer y defectos de nacimiento u otros daños reproductivos.

Lávese las manos después de manipular este producto.

Para más información, visite: www.P65Warnings.ca.gov

PREPARACIÓN DEL ASADO

DESEMPAQUETAR LA PARRILLA

Desempaquete la parrilla y elimine todo el material de embalaje. Mantenga los materiales de embalaje fuera del alcance de los niños y elimínelos siguiendo las regulaciones tras el montaje de la parrilla. Siga los siguientes pasos para montar la parrilla. **Antes del uso, coloque la parrilla en una superficie nivelada y resistente al aire libre.**

PRE-FIRMACIÓN

Antes del primero uso, lave la parrilla de cocción y la rejilla de calentamiento con agua tibia jabonosa. Antes de cocinar con el ahumador, deben seguirse cuidadosamente los siguientes pasos para el curado, acabado y sazonado del acero interior. No seguir estos pasos puede dañar el acabado y/o impartir sabores metálicos a sus primeras comidas.

1. Cepille todas las superficies interiores, incluidas grillas y parrillas, con aceite de cocina vegetal.
2. Genere un fuego pequeño en la parrilla de carbón, asegurándose de no colocar carbones contra las paredes.
3. Cierre la tapa, coloque los reguladores a aproximadamente un cuarto de apertura. Este fuego debe mantenerse durante al menos dos horas. Deje que la unidad se enfríe completamente.
4. El ahumador ya está listo para usarse.

ADVERTENCIA

La parrilla derramará aceite durante este proceso y durante varios usos posteriores. Esto es normal.

NUNCA EXCEDA LOS 400 °F (204 °C) PORQUE DAÑARÁ EL ACABADO Y CONTRIBUIRÁ A LA OXIDACIÓN. LA PINTURA NO ESTÁ CUBIERTA POR LA GARANTÍA Y REQUERIRÁ RETOQUES. LA OXIDACIÓN TAMPOCO ESTÁ CUBIERTA POR LA GARANTÍA.

TIPOS DE CARBÓN

Puede quemar briquetas de carbón o piezas de leña natural, la cual tiene atributos diferentes. Las briquetas de carbón ofrecen más tiempo de cocción y suelen ser más económicas mientras que el carbón de madera se calienta más y produce menos cenizas. Para obtener más sabor a ahumado cuando utiliza briquetas de carbón o trozos de carbón, añada virutas de madera o varios trozos de madera al fuego.

CONSEJOS PARA USAR VIRUTAS DE MADERA

Se producirá mucho humo cuando se utilizan las virutas de madera. El humo saldrá por las juntas y volverá negro el interior del ahumador. Esto es normal. Las virutas de madera deben utilizarse para producir humo y que se genere el sabor a ahumado. Nunca utilice más de 1 caja de virutas de madera cada vez. Puede poner astillas de madera secas o previamente empapadas en cajas de ahumado o paquetes de papel de aluminio en las rejillas de cocción. Las virutas secas se queman más rápido y producen un humo más intenso. Las virutas empapadas previamente en agua (durante aproximadamente 30 minutos) se queman más despacio y producen un humo menos intenso. Inspeccione periódicamente la caja de virutas para comprobar si la madera se ha consumido. Añada más virutas según sea necesario.

AHUMAR CON TROZOS DE MADERA

Los trozos de madera están disponibles en diversos sabores, y puede utilizarlos solos o añadirlos al carbón. Como regla general, cualquier madera noble que provenga de árboles que produzcan fruta o frutos secos, no son adecuados para cocinar. Sin embargo, las distintas maderas tienen diversos sabores. Experimente con varias maderas para determinar su preferida y utilice siempre madera bien seca. La madera verde o recién cortada puede ennegrecer y aportar un sabor amargo a la comida.

NUESTRAS RECOMENDACIONES:

Pollo – Aliso, Manzano, Nogal americano, Mezquite, Sasafrás, Vid

Res – Nogal americano, Mezquite, Roble, Vid

Cerdo – Frutales, Nogal americano, Roble, Sasafrás

Cordero – Frutales, Mezquite

Ternera – Frutales, Vid

Marisco – Aliso, Mezquite, Sasafrás, Vid

Verduras – Mezquite

CONSTRUYENDO EL FUEGO

1. Abra la tapa y retire las rejillas.

2. Apile las briquetas de carbón o madera en una pila en forma de pirámide en la parte superior de la bandeja de carbón. Se recomienda utilizar 2 libras (aproximadamente 25 briquetas) para iniciar el fuego, agregue más según sea necesario.

NOTA: No utilice gasolina, queroseno o alcohol para encender el carbón. Utilizar cualquiera de estos productos puede provocar una explosión y quemaduras graves.

3. Cuando las briquetas se consuman o se vuelvan grises, extiéndalas. Por favor, use una herramienta ignífuga adecuada con un agarre largo.

4. Coloque las rejillas de cocción y ajuste la conjunto de bandeja de carbón a la altura deseada mediante por la riel de distintas alturas y comience a cocinar.
5. Si no prende de forma homogénea, utilice una herramienta para mover las brasas y conseguir un calor homogéneo.
6. Deje la tapa abierta o cerrada dependiendo de la carne que use. Cierre la tapa cuando precise más tiempo de cocción. El termómetro ubicado en la tapa muestra la temperatura para asegurar que no sea demasiado alta para ciertas carnes.

ADVERTENCIA

1. Los amortiguadores de chimenea, eléctricos o de otros tipos pueden ser utilizados en lugar del encendedor líquido, pero siga siempre las instrucciones del fabricante. Nunca utilice carbón de encendido rápido o encendedor fluido junto con cualquier otro método de encendido.
2. Permita suficiente tiempo para calentar antes de cocinar. No podrá cocinar adecuadamente cuando la parrilla está fría ni podrá atender el fuego mientras está ocupado preparando la comida. Una vez que el fuego está encendido, es fácil mantenerlo encendido con poca atención.

AJUSTE DE LA TEMPERATURA

Abra la amortiguador para permitir que entre más aire fresco en la parrilla, asegurando así una mayor temperatura de cocción interna, y cierre la amortiguador según sea necesario para disminuir el flujo de aire para una temperatura de cocción más baja. Si es demasiado intenso, esparza un poco más los carbones. Suba o baje la rejilla regulable para el carbón para controlar la temperatura de la parrilla.

NOTA: Utilice siempre una manopla aislante ignífuga cuando ajuste la amortiguador.

AÑADIR CARBÓN MIENTRAS SE ASA

1. Utilice una manopla aislante ignífuga para la parrilla y abra la tapa.
2. Retire los alimentos y las rejillas para asar.
3. Utilice unas pinzas de mango largo para avivar los carbones. Añada carbón según sea necesario.
4. Cuando los carbones vuelvan a arder, vuelva a colocar las rejillas para asar y los alimentos.

ADVERTENCIA

1. Extremar las precauciones para evitar lesiones al añadir los carbones.
2. No utilice líquido encendedor o carbón de encendido instantáneo cuando añada carbón adicional a un fuego encendido. Esto es peligroso y puede provocar lesiones. Además, el líquido encendedor dejará sabor en la comida. Añada únicamente carbón normal o leña a un fuego encendido.

OPERACIÓN INDIRECTA

1. Para los alimentos que se demoran más en cocinar, puede usar el asado indirecto. Este método se debe usar para cocer a fuego lento, con la tapa cerrada.
2. En este caso, los carbones se apilan en capas de dos o tres carbones de alto, en un lado de la parrilla de carbón, o se dividen y se apilan en dos lados. Esto permite dejar un espacio vacío al lado o entre los carbones. A menudo, cuando se cocina de modo indirecto, los alimentos se cocinan primero a fuego directo y, luego, se mueven a un área más fría (vacía) de la parrilla, para cocerlos a fuego lento, de manera uniforme. Para que el calor sea lo más uniforme posible, haga dos pilas con el carbón.
3. Con frecuencia, se coloca una bandeja metálica en el espacio vacío o entre los carbones, la cual se llena con agua, vino, cerveza o una combinación de los mismos. Coloque los alimentos directamente sobre la bandeja. Esto permite añadir humedad al área de cocción y recoger los jugos de los alimentos, lo que facilita la limpieza posterior y reduce la posibilidad de que se produzcan llamaradas. (Recuerde tener a mano de agua con boquilla, para apagar las llamaradas.)
4. Es posible que, cuando se acostumbre a asar a fuego indirecto, prefiera usar este método para asar en la mayoría de los casos. Aunque toma un poco más de tiempo, es un excelente método de cocción, y una manera de evitar que se quemem los alimentos y de propiciar la cocción uniforme.

CONSEJOS PARA FUMAR DE FORMA INDIRECTA

Las sartenes no están incluidas y se recomienda utilizar bandejas desechables de pan. Por favor, adquiéralas aparte.

1. Si quiere asar ciertos alimentos antes de ahumar, coloque la carne directamente por encima de los carbones con la tapa abierta varios minutos.
2. Añada virutas de madera empapadas en aroma al fuego y añada una 1 parte de adobo, cerveza o vino y 3 partes de agua a la bandeja de goteo.
3. Abrir la cámara de humo alargará el tiempo de cocción.
4. Inserte el termómetro en la parte más gruesa sin tocar el hueso, y espere 5 minutos para que se registre.
5. Compruebe el nivel de agua cuando cocine durante más de 4 horas o cuando no oiga el agua hervir.
6. Añada agua moviendo la carne y vertiendo agua por la parrilla en la bandeja de agua.

SI EL HUMO ES BLANCO, EL FUEGO ES CORRECTO.

SI EL HUMO ES NEGRO, AÑADA AIRE.

Su nueva parrilla ha sido diseñada y fabricada con altos estándares de calidad. Le dará muchos años de tiempo de parrillas divertido, sin embargo, necesita un mínimo de mantenimiento.

LIMPIEZA DE CENIZAS Y MANTENIMIENTO REGULAR

Tras extinguir completamente el fuego, debe esperar varias horas antes de vaciar las cenizas para asegurarse de que no están calientes, de lo contrario podría producirse riesgo de quemaduras.

1. Si hay piezas de carbón parcialmente quemadas en la rejilla de cocción puede guardarlas para la próxima vez. Aún pueden servir.
2. Golpee suavemente los laterales del bol de la parrilla y afloje las cenizas de los laterales.
3. Retire el conjunto de bandejas de carbón. Golpee suavemente la bandeja de ceniza para aflojar la ceniza.
4. Vaciar la ceniza fría. Es muy importante que elimine la ceniza antes de que entre humedad en la ceniza fría. La ceniza es salina y en condiciones de humedad, atacará el interior de la bandeja de recolección de ceniza. Por tanto, con los años la bandeja de ceniza puede oxidarse.
5. Coloque las cenizas en un recipiente de metal y cubra con agua para asegurarse de que no quede carbón encendido, luego puede tirar las cenizas.
6. Deje que el combustible se consuma completamente tras usar la parrilla. Esto facilita la limpieza al quemar el exceso de grasa y residuos de la barbacoa.
7. Limpie la parrilla regularmente, preferiblemente tras cada uso.
8. Retire las rejillas de cocción y límpielas bien con agua jabonosa. Luego séquelas completamente.
9. Use una esponja húmeda para retirar los residuos de la parrilla.
10. Use un paño suave, limpio y seco para secar. No arañe las superficies cuando las limpie.
11. Limpie las superficies internas y externas con agua jabonosa.
12. Apriete todos los tornillos antes de cada uso para garantizar la estabilidad de la barbacoa en todo momento.
13. Proteja la parrilla de la influencia meteorológica. Ya que está fabricado de acero, en algún momento se oxidará. Limpie las manchas de óxido y repárelas con pintura ignífuga.

NUNCA PINTE EL INTERIOR DE LA UNIDAD.

ALMACENAMIENTO DE PARRILLA

1. Limpie la parrilla antes de almacenarla. Almacenar en un lugar seco.
2. Esta parrilla siempre debe almacenarse protegida de la humedad.

NOTA: NO deje el carbón en la parrilla mientras no la utilice. Dejar carbón y ceniza en la bandeja de ceniza reducirá la vida útil de su parrilla.

3. Se recomienda una cubierta para proteger su parrilla. Puede elegir entre una variedad de cubiertas para parrilla de cocina ofrecidas por fabricantes.

DISPOSICIÓN



El embalaje está hecho de materiales respetuosos con el medio ambiente, los cuales puede desechar en sus puntos locales de reciclaje.



¡No elimine la parrilla junto con la basura doméstica normal! Deséchela en un negocio autorizado de eliminación en las instalaciones de recolección de su comunidad. Respete las leyes vigentes actuales. Si tiene alguna duda, contacte con su instalación de desechos.

CALOR DIRECTO

TABLA DE TEMPERATURA INTERNA DE CARNE			
Grado de Cocina	Temperatura Interna del Núcleo	Descripción Interna	Firmeza
Raro	125 °F	El centro es rojo brillante, rosado hacia la parte exterior y cálido en todo	Suave al tacto
Medio raro	130-135 °F	El centro es muy rosado, ligeramente marrón hacia la parte exterior y ligeramente caliente	Cede solo ligeramente al tacto
Medio	140-145 °F	El centro es de color rosa claro, la porción exterior es marrón y caliente en todo	Comenzando a endurecerse al tacto
Medio bien	150-155 °F	Mayormente de color gris parduzco en todo con un toque de rosa en el centro	Firme al tacto
Bien hecho	155 °F y más	El filete es de color gris parduzco en todas partes	Firme o duro al tacto
TABLA DE TEMPERATURA INTERNA DE AVES			
Pollo Entero	165 °F	Cocine hasta que los jugos salgan claros	Firme al tacto
Carne Oscura	165 °F	Cocine hasta que quede blanco en todas partes, pero aún húmedo	Firme al tacto
Carne de Pechuga	165 °F	Cocine hasta que quede blanco en todas partes, pero aún húmedo	Firme al tacto
Muslo, Alas y Piernas	165 °F	Mayormente de color gris parduzco en todo con un toque de rosa en el centro	Firme al tacto
GRÁFICO DE TEMPERATURA INTERNA DE LA CARNE DE CERDO			
Medio	150 °F	Rosa en el centro	
Bien Hecho	160 °F y más	El cerdo es uniformemente blanco/marrón en todas partes	
Costillas de Cerdo	180-200 °F	Blanco pálido. Cocine medio a bien hecho	
Salchicha Cruda	160 °F	Ya no es rosa	
Salchicha (Precocinada)	140 °F	Ya no es rosa	

CALOR INDIRECTO

Comida	Peso	Cámara de carbón principal	Temperature en termometro de carne
Carne asada, falda de res	3-4 lb.	1-1½ horas	140 °F poco hecho
Cordero asado, venado	5-7 lb.	1¾-1½ horas	160 °F medio
Cortes grandes de carne	7-9 lb.	2½-3½ horas	170 °F bien hecho
Cerdo asado	3-4 lb. 5-8 lb.	1¾-2½ horas 2½-3 horas	170 °F 170 °F
Costillas de cerdo/res	Toda la parrilla	1½-2 horas	La carne se desprende del hueso
Chuletas de cerdo	Toda la parrilla	¾-1¼ horas	La carne se desprende del hueso
Salchichas	Toda la parrilla	2-2¾ horas	170 °F para salchichas frescas
Jamón, Fresco	10 lb.	3-4 horas	170 °F
Jamón, Asado	Todos los tamaños	1½-2 horas	130 °F
Pollo (Picado o partido)	1-4 frito, picado o partido	1-1¼ horas	180 °F/la pata se mueve fácilmente por la articulación
Pollo (Entero)	1-4 frito	1¼-1½ horas	180 °F/la pata se mueve fácilmente por la articulación
Pavo (Sin rellenar)	8-12 lb.	1¾-2½ horas	180 °F/la pata se mueve fácilmente por la articulación
Pescado, pequeño entero	Toda la parrilla	½-¾ hora	Se desmenuza con un tenedor
Pescado, filetes, bistec	Toda la parrilla	¼-½ hora	Se desmenuza con un tenedor
Pato	3-5 lb.	1-1¼ horas	180 °F/la pata se mueve fácilmente por la articulación
Aves pequeñas de caza	Toda la parrilla	¾-1 hora	180 °F/la pata se mueve fácilmente por la articulación

Gracias por adquirir la Parrilla de carbón de 30 pulgadas con mesa lateral de Royal Gourmet®.

Royal Gourmet garantiza que sus productos no presentan defectos de fabricación, ni de material ni de la mano de obra, si se los ensambla correctamente, se los utiliza de forma normal y se los cuida según las recomendaciones, durante un período de **1 año** a partir de la fecha de compra original. La garantía no cubre el acabado de la pintura ya que puede salirse durante el uso normal. **RUST no se considera una de fabricación o materiales defecto.**

Durante el período de vigencia establecido de la garantía, Royal Gourmet, a su criterio, reemplazará los componentes defectuosos sin costo alguno, debiendo hacerse responsable el propietario de los gastos de envío. Royal Gourmet se reserva el derecho de exigir que las piezas defectuosas sean devueltas por el consumidor, abonando los gastos de envío y/o el flete, por adelantado para su revisión y examen. En cas de problèmes de disponibilité des pièces, Royal Gourmet se réserve le droit de remplacer des pièces similaires qui sont également fonctionnels. Después de la fecha de vencimiento de la garantía, finalizarán todas las responsabilidades.

***Nota:** A fecha de recibo con el número de modelo y el número de serie de compra serán necesarios para el servicio de garantía.

Esta garantía limitada no ampara el costo en el que se incurra por inconvenientes, alimentos, lesiones ni daños a la propiedad. Cualquier cobertura de garantía será nula si esta parrilla se utiliza con fines comerciales o de alquiler. Esta garantía limitada atañe ÚNICAMENTE al funcionamiento del producto y no ampara rayones, abolladuras, corrosión ni decoloración ocasionada por el calor, los productos de limpieza abrasivos y químicos, ni por las herramientas usadas en el armado o en la instalación del aparato, oxidación de las superficies ni decoloración de las superficies de acero inoxidable.

LO QUE NO ESTÁ CUBIERTO EN EL SERVICIO DE GARANTÍA

Cualquier falla o problema de funcionamiento debido a un accidente, uso indebido o incorrecto, alteración, uso para otros fines, vandalismo, instalación incorrecta o mantenimiento o reparación inadecuados, o el incumplimiento del mantenimiento de rutina, incluyendo, pero sin limitarse a, daños causados por insectos dentro de los tubos del quemador, como se especifica en el manual del propietario.

Deterioro o daños debidos a condiciones meteorológicas severas, como granizo, huracanes, terremotos o tornados, decoloración debido a exposición a productos químicos ya sea directamente o en el ambiente.

Costo de llamadas de servicios.

Costos de envío o transportación.

La recogida y el envío de su producto.

Costos de devolución o reinstalación.

Costo de mano de obra por reinstalación o reparaciones.


Responsabilidad por daños indirectos o consiguientes.

Esta garantía Limitada es la única garantía entregada por Royal Gourmet y eemplaza a todas las demás garantías, expresas o implícitas, incluidas las garantías implícitas de comercialización o idoneidad para cualquier fin en particular. Ni Royal Gourmet ni el establecimiento minorista que ofrece este producto, tienen autoridad alguna para otorgar garantías o prometer otros recursos que sean adicionales o inconsistentes con los establecidos previamente.


La responsabilidad máxima de Royal Gourmet, en todos los casos, no superará el precio de compra del producto que el cliente o comprador original pagó. Algunos estados no permiten la exclusión o limitación de daños accidentales o resultantes. En dicho caso, no se aplicarán las exclusiones o limitaciones anteriores.

No devuelva piezas sin antes obtener la autorización de devolución de nuestro departamento de servicio al cliente.

Si tiene alguna duda sobre el nuevo montaje, la garantía o el anexo, por favor póngase en contacto con nuestro servicio al cliente. Estaremos encantados de ofrecer cualquier pieza de repuesto que necesite durante el período de garantía.

 1-800-618-6798

 service@royalgourmetusa.com

 Lun.–Vie. 8:30 AM-5:00 PM, EST

CONTENU

Pour votre sécurité	20-21
Instructions d'utilisation	22-23
Préparation du rôti	22
Types de charbon de bois	22
Construire le feu	22-23
Opération indirecte	23
Nettoyage et entretien	24
Guide de température	25-26
Garantie et service de clientèle	27
Schéma des pièces	28
Liste des pièces	29-30
Liste du matériel	31
Assemblage	32-35

Après le déballage et avant chaque utilisation, vérifiez si le produit est endommagé. En cas de dommage, veuillez ne pas utiliser le grill et appelez le service à la clientèle au 1-800-618-6798.

Le manuel d'utilisation se base sur les normes et les réglementations en vigueur aux États-Unis. Dans toutes les autres directives et lois spécifiques aux pays!



Avant le démarrage, lisez attentivement le manuel d'utilisation. Ce n'est que de cette manière que vous pourrez utiliser toutes les fonctions en toute sécurité et fiabilité. Le fait de ne pas les instructions de ce manuel peut entraîner des blessures corporelles et/ou des dommages sur des biens. Conservez les instructions d'utilisation et remettez-les à celui qui pourrait posséder le grill après vous.

⚠ DANGER: RISQUE D'INCENDIE ⚠

1. Ne pas utiliser à l'intérieur!
2. N'utilisez pas d'alcool, ni d'essence pour allumer ou rallumer!
3. Cet appareil va devenir très chaud, ne le déplacez pas pendant le fonctionnement!
4. Utilisez votre fumoir à au moins 91 cm (3 pi) de tout mur ou de toute surface. Maintenez un dégagement de 3 m (10 pi) de tout objet pouvant s'enflammer ou de toute source d'inflammation comme des canettes de gaz, des bouteilles de gaz propane, du carburant pour véhicule, etc.
5. N'utilisez pas ce grill sur ou près de surfaces ou de structures combustibles telles que des terrasses en bois, des feuilles sèches ou de l'herbe, des revêtements en vinyle ou en bois, etc.
6. Il est impératif d'avoir un extincteur et une trousse de secours à portée de main en cas d'accident ou d'incendie.
7. Mettez le grill sur une surface plane, horizontale, sûre, résistante à la chaleur et propre.
8. Allumez le charbon de bois seulement dans un endroit abrité du vent.
9. Remplissez le grill avec un max. 4,4 lb. de charbon de bois pour la chambre principale.
10. Certains aliments produisent des graisses et des jus inflammables. Nettoyez le grill régulièrement, de préférence après chaque utilisation.
11. Ne jetez les cendres que lorsque le charbon est complètement brûlé et refroidi.

⚠ DANGER : RISQUE DE BRÛLURE ET D'ACCIDENT ⚠

1. Cet appareil n'est pas destiné à être utilisé par des personnes (y compris les enfants) ayant des capacités physiques, sensorielles ou mentales limitées, qui manquent d'expérience ou de connaissances. Ces personnes doivent être informées des dangers de l'appareil et elles doivent être surveillées par une personne responsable de leur sécurité.
2. Toute modification du produit représente un risque important pour la sécurité et elle est interdite. N'entreprenez aucune conversion non autorisée vous-même. En cas de dommages, de réparations ou d'autres problèmes liés au grill, contactez notre service à la clientèle au 1-800-618-6798, ou envoyez un email à service@royalgourmetusa.com
3. Maintenez les enfants et les animaux domestiques éloignés de l'appareil. Gardez une distance suffisante avec les parties chaudes. Le grill, le charbon et les aliments grillés deviennent très chauds pendant l'utilisation. Ainsi, tout contact peut provoquer de graves brûlures.
4. Portez toujours des gants isolants ou des gants de barbecue pendant la cuisson.
5. Utilisez uniquement des ustensiles à long manche dotés de poignées résistantes à la chaleur.
6. Ne portez pas de vêtements à manches larges.
7. Utilisez uniquement des allumeurs secs ou des allumeurs à fluide spéciaux.
8. Laissez le grill refroidir complètement avant de le nettoyer et/ou de le ranger.

⚠ DANGER: RISQUE D'EXPLOSION ⚠

Les liquides inflammables, qui sont versés sur les braises, peuvent provoquer des flammes ou des déflagrations.

1. N'utilisez jamais de liquides inflammables tels que de l'essence ou des spiritueux.
2. Ne mettez pas non plus des morceaux de charbon de bois imbibés de liquide inflammable sur les braises.

DANGER: RISQUE DE MONOXYDE DE CARBONE

Lors de la combustion de charbon de bois, de briquettes de barbecue, etc., il se forme du monoxyde de carbone. Ce gaz est inodore et il peut être fatal dans des espaces clos!

1. NE JAMAIS brûler de charbon de bois à l'intérieur des maisons, des véhicules, des tentes ou tout autre espace clos.
2. Utilisez le gril uniquement à l'extérieur.

DANGER: RISQUE POUR LA SANTÉ

Ne pas utiliser de décolorant ou de diluant pour enlever les taches. Car ils sont nocifs pour la santé et ne doivent pas entrer en contact avec des aliments.

DANGER: RISQUES POUR LES ENFANTS

En jouant, les enfants peuvent se prendre dans le film d'emballage et s'étouffer.

1. Ne laissez pas les enfants jouer avec les films d'emballage.
2. Assurez-vous que les enfants ne mettent pas de petites pièces d'assemblage dans leur bouche. Car ils pourraient avaler ces pièces et s'étouffer.

DANGER: RISQUE DE BLESSURE

1. Certaines pièces peuvent présenter des arêtes vives!
2. Soyez prudent avec les pièces pour éviter les accidents et/ou les blessures lors du montage et de l'utilisation. Portez des gants de protection si nécessaire.
3. N'installez pas le gril à proximité d'entrées ou de zones à trafic intense.
4. Suivez toutes les instructions de montage répertoriées ici. Lisez tout d'abord toutes les instructions de montage. Prévoyez suffisamment de temps pour le montage et trouvez un espace de travail uniforme de deux à trois mètres carrés. Les petites pièces doivent être probablement préassemblées.
5. Faites toujours preuve d'une extrême prudence lors de la cuisson. En cas de distraction, vous pouvez perdre le contrôle de l'appareil.
6. Soyez toujours attentif et conscient concernant ce que vous faites. N'utilisez pas le gril si vous n'êtes pas concentré, si vous êtes fatigué ou sous l'influence de drogues, d'alcool ou de médicaments. Un seul moment d'inattention lors de l'utilisation du produit peut entraîner des blessures graves.

DANGER: RISQUE DE DOMMAGES

1. Pendant l'utilisation, les vis peuvent se desserrer lentement et nuire à la stabilité du gril. Vérifiez que les vis sont bien serrées avant chaque utilisation. Si nécessaire, resserrez toutes les vis pour vous assurer que le gril est bien stable.
2. N'utilisez pas de solvants abrasifs ou de tampons à récurer car ils pourraient endommager la surface et laisser des traces de rayures.



PROPOSITION 65 DE CALIFORNIE AVERTISSEMENTS

1. Les combustibles utilisés dans les appareils de combustion du bois et du charbon et les sous-produits de combustion de ces combustibles peuvent vous exposer à des produits chimiques tels que le noir de carbone, la poussière de bois qui sont connus dans l'État de Californie pour causer le cancer, le monoxyde de carbone, qui est connu de l'État de Californie pour causer des anomalies congénitales ou d'autres dommages de la reproduction.
2. Ce produit peut vous exposer à des produits chimiques, y compris le Nickel (Métallique), qui est connu dans l'État de Californie pour causer le cancer.
3. Ce produit contient du Plomb et des Composés de plomb reconnu par l'État de Californie qui provoque le cancer, des anomalies congénitales ou d'autres troubles de la reproduction.

Lavez-vous les mains après avoir manipulé ce produit.

Pour plus d'informations, visitez le site: www.P65Warnings.ca.gov

PRÉPARATION DU RÔTI

DÉBALLER LE GRIL

Déballer le grill et débarrassez-vous de tous les matériaux d'emballage. Conservez les emballages hors de la portée des enfants et, après le montage du grill, jetez-les en respectant la réglementation. Suivez les étapes suivantes pour assembler le grill. **Avant de l'utiliser, placez le grill sur une surface plane et solide à l'extérieur.**

PRÉ-CUISSON

Avant la première utilisation, nettoyez les grilles de cuisson et la grille chauffante à l'eau chaude savonneuse. Vous devez suivre soigneusement les étapes suivantes pour apprêter le fini et préparer le revêtement intérieur en acier de votre fumoir avant de vous en servir. L'omission de bien suivre ces étapes pourrait endommager le fini ou donner une saveur métallique à vos premiers aliments.

1. Brossez toutes les surfaces intérieures, y compris les grilles et les étagères avec de l'huile végétale à cuisson.
2. Montez un petit feu sur la grille à charbon de bois en vous assurant que les briquettes ne touchent pas aux parois.
3. Fermez le couvercle et ouvrez les entrées d'air d'un quart de tour environ. Ce feu devrait être entretenu pendant au moins deux heures. Attendez le refroidissement de l'appareil.
4. Votre fumoir est maintenant prêt à l'emploi.

⚠ ATTENTION ⚠

Le grill produira des gouttes d'huile pendant ce processus et pendant plusieurs utilisations par la suite. C'est normal.

NE JAMAIS DÉPASSER 400 °F (204 °C) PARCE QUE CECI POURRAIT ENDOMMAGER LA FINITION ET FAVORISERA L'APPARITION DE LA ROUILLE. LA PEINTURE N'EST PAS GARANTIE ET NÉCESSITERA DES RETOUCHES. CE N'EST PAS GARANTI CONTRE LA ROUILLE.

TYPES DE CHARBON DE BOIS

Vous pouvez faire brûler des briquettes de charbon de bois ou des morceaux de bois naturels avec différentes propriétés. Les briquettes de charbon de bois donnent généralement des temps de cuisson plus longs et sont généralement moins chères, tandis que le charbon de bois en morceaux chauffe plus et produit moins de cendres. Pour obtenir une saveur de fumée plus robuste lors de l'utilisation de briquettes de charbon de bois ou de charbon de bois en morceaux, essayez d'ajouter au feu des copeaux de bois ou plusieurs morceaux de bois.

CONSEILS POUR L'UTILISATION DE COPEAUX DE BOIS

On obtiendra beaucoup de fumée lors de l'utilisation de copeaux de bois. La fumée s'échappera par les joints et retournera à l'intérieur du grill noir. C'est normal. Les copeaux de bois doivent être utilisés pour produire de la fumée et créer la saveur de fumée. Ne jamais utiliser plus d'une boîte de copeaux de bois à la fois. Vous pouvez placer des copeaux de bois secs ou pré-trempés dans des boîtes de fumoir ou des paquets d'aluminium sur les grilles de cuisson. Les copeaux secs brûlent plus rapidement et produisent une fumée plus intense. Les copeaux pré-trempés dans l'eau (pendant environ 30 minutes) brûleront plus lentement et produiront une fumée moins intense. Vérifiez périodiquement la boîte à copeaux pour voir si le bois a brûlé. Ajoutez plus de copeaux au besoin.

FUMER AVEC DES MORCEAUX DE BOIS

Les morceaux de bois sont disponibles dans une variété de saveurs naturelles et peuvent être utilisés seuls ou en complément du charbon de bois. En règle générale, tout bois dur qui porte un fruit ou une noix convient pour la cuisson. Cependant, différents bois ont des goûts très différents. Faites l'expérience en utilisant différents bois pour déterminer votre bois favori, et utilisez toujours du bois bien sec. Le bois vert ou fraîchement coupé peut noircir les aliments et donner un goût amer.

NOS RECOMMANDATIONS:

Poulet – Aulne, pommier, hickory, mesquite, sassafras, vigne

Boeuf – Arbres fruits, hickory, chêne, sassafras

Porc – Bois fruitiers, caryer, chêne, sassafras

Agneau – Arbres fruits, mesquite

Veau – Arbres fruits, vigne

Fruits de mer – Aulne, mesquite, sassafras, vigne

Légumes – Mesquite

CONSTRUIRE LE FEU

1. Ouvrez le couvercle et retirez les grilles de cuisson.
2. Faites une pile de briquettes de charbon de bois en forme de pyramide sur la grille à charbon de bois. Nous vous recommandons d'utiliser 2 lb. (environ 25 briquettes) pour démarrer votre feu et d'en rajouter au besoin.

REMARQUE: N'utilisez pas d'essence, de kérosène ou d'alcool pour allumer du charbon de bois. L'utilisation de l'un de ces produits ou de produits similaires peut provoquer une explosion pouvant entraîner des lésions corporelles graves.

3. Une fois que les briquettes sont cendrées et produisent une lueur rouge, répartissez-les uniformément dans la poêle à charbon. Pour ce faire, utilisez un outil adapté, résistant à la chaleur et doté d'un long manche résistant à la chaleur.
4. Mettez les grilles de cuisson en place et réglez le ensemble de bac à charbon à la hauteur souhaitée par les grilles de levage et commencez à la cuisson.

5. Si cela ne brûle pas uniformément, veuillez utiliser des pinces à long manche pour déplacer les charbons pour obtenir une chaleur uniforme.
6. Laissez le couvercle ouvert ou fermé en fonction du type de viande à griller. Veuillez fermer le couvercle si vous avez besoin d'un temps de cuisson plus long. Le thermomètre, situé sur le couvercle, indique la température, ce qui permet de s'assurer qu'elle n'est pas trop élevée pour une viande de barbecue particulière.

ATTENTION

1. Des dispositifs de démarrage de cheminée, de démarrage électrique ou d'autres types d'allume-feu peuvent être utilisés à la place d'un liquide pour allumer le feu, mais utilisez-le uniquement selon les instructions du fabricant. N'utilisez jamais de système d'allume-feu de charbon de bois instantané ou de liquide allume-feu pour charbon de bois avec une autre méthode de démarrage.
2. Laissez suffisamment de temps au gril pour qu'il soit chaud avant la cuisson. Vous ne pouvez, ni cuisiner convenablement lorsque le gril est froid, ni allumer un feu pendant que vous êtes occupé à manger. Une fois que le feu brûle bien, il est facile de le maintenir avec un peu d'attention.

RÉGLAGE DE LA TEMPÉRATURE

Ouvrez le amortisseur pour laisser entrer plus d'air frais dans le gril, assurant ainsi une température de cuisson interne plus élevée, et fermez le amortisseur au besoin pour diminuer le débit d'air et obtenir une température de cuisson plus basse. Si le feu est trop chaud, étendez davantage les briquettes, ce qui le rend moins intense. Haussez ou baissez la grille réglable de charbon pour contrôler la température.

REMARQUE: Utilisez toujours un gant de gril isolé ignifugé pour régler le amortisseur.

AJOUT DE CHARBONS PENDANT LA GRILLADE

1. Portez un gant de gril isolé ignifugé et ouvrez le couvercle.
2. Retirez les aliments et les grilles de cuisson.
3. Utilisez une pince à long manche pour attiser les charbons. Ajoutez des charbons de bois si nécessaire.
4. Lorsque les braises brûlent à nouveau, replacez les grilles de cuisson et les aliments.

ATTENTION

1. Faites preuve d'une extrême prudence pour éviter toute blessure lors de l'ajout de charbon de bois.
2. N'utilisez pas de charbon de bois léger ou instantané en ajoutant du charbon à un feu existant. Ceci est dangereux et peut causer des blessures. Il laissera également un arrière-goût fluide plus léger à votre nourriture. N'ajoutez que des morceaux de bois ou du charbon de bois ordinaire à un feu existant.

OPÉRATION INDIRECTE

1. Cuisson au gril indirecte Pour les aliments qui mettent plus longtemps à cuire, il est préférable d'utiliser la cuisson indirecte. Cette méthode est utilisée pour une cuisson longue et lente dans un gril au couvercle fermé.
2. Pour la cuisson indirecte, les briquettes forment une couche de deux ou trois briquettes d'épaisseur sur un côté du gril ou sont divisées et empilées des deux côtés. Cela laisse un espace vide à côté des briquettes ou entre les piles. Avec la cuisson indirecte, la cuisson des aliments commence souvent par une cuisson directe avant que les aliments ne soient placés au-dessus de la partie plus froide (vide) du gril, où ils peuvent cuire lentement et uniformément. Pour que la chaleur soit la plus uniforme possible, faites deux piles de briquettes.
3. Il est courant de placer dans l'espace vide à côté des briquettes ou entre les piles de briquettes une lèche-frite en métal remplie d'eau, de vin, de bière, de bouillon ou d'une combinaison de ces liquides. Placez les aliments directement au-dessus de la lèche-frite. Cela ajoute de l'humidité supplémentaire au milieu de cuisson et capte également les jus de cuisson, ce qui facilite le nettoyage et réduit la possibilité de flambées soudaines. (N'oubliez pas de garder une bouteille à pulvériser remplie d'eau à portée de la main pour éteindre les flambées soudaines.)
4. Lorsque vous vous serez habitué à la méthode indirecte, vous préférerez peut-être l'utiliser pour davantage de tâches de cuisson. Bien qu'elle soit un peu plus longue, il s'agit d'une excellente méthode de cuisson: c'est une façon sûre d'empêcher les aliments de brûler et de favoriser une cuisson uniforme.

CONSEILS POUR LE TABAGISME INDIRECT

Les casseroles ne sont pas incluses et une casserole pour pain jetable est recommandée. Veuillez l'acheter séparément.

1. Si vous souhaitez faire cuire certains aliments avant de les fumer, placez la viande directement au-dessus des charbons avec le couvercle ouvert plusieurs minutes.
2. Ajoutez des copeaux de bois imprégnés de saveur au feu et ajoutez une partie de marinade, de bière ou de vin à 3 parties d'eau dans le plateau d'égouttement.
3. L'ouverture de la chambre de fumage prolongera la durée de cuisson.
4. Insérez le thermomètre dans la partie la plus épaisse sans toucher l'os, et attendez cinq minutes pour qu'il puisse enregistrer.
5. Vérifiez le niveau d'eau lorsque vous cuisinez plus de 4 heures ou lorsque vous ne pouvez pas entendre le frémissement de l'eau.
6. Ajoutez de l'eau en déplaçant la viande et versez de l'eau à travers le gril dans le bac à eau.

SI LA FUMÉE EST BLANCHE, LE FEU EST BON.

SI LA FUMÉE EST NOIRE, AJOUTER DU TIRAGE.

Votre nouveau gril a été conçu et fabriqué selon des normes de qualité élevées. Il vous procurera de nombreuses années de plaisir à griller, mais il nécessite un minimum d'entretien.

NETTOYAGE DES CENDRES ET ENTRETIEN RÉGULIER

Une fois le feu éteint, attendez plusieurs heures avant de vider les cendres pour vous assurer qu'elles ne sont pas chaudes et qu'elles ne risquent pas de provoquer des brûlures.

1. S'il y a des morceaux de charbon partiellement brûlés sur la grille de cuisson, vous pouvez les conserver pour la prochaine fois. Ils sont encore bons.
2. Appuyez sur les côtés de la cuvette pour faire tomber les cendres qui se trouvent sur les côtés.
3. Retirez l'ensemble de bac à charbon. Donnez quelques petits coups fermes au cendrier pour faire détacher les cendres coincées.
4. Videz les cendres froides. Soulevez le bac à charbon et videz les cendres froides. Il est très important que vous retiriez les cendres avant que l'humidité ne se combine avec les cendres froides. Les cendres sont salines, dans des conditions d'humidités, elles attaqueront l'intérieur du bac collecteur de cendres. Ainsi, au fil des années, le bac collecteur de cendres pourrait être endommagé par la rouille.
5. Placez les cendres dans un récipient en métal et couvrez-les d'eau pour vous assurer qu'il n'y a pas de braises allumées. Vous pouvez ensuite vous en débarrasser.
6. Laissez le combustible brûler complètement après avoir terminé les grillades. Cela facilitera le nettoyage en faisant brûler les excès de graisse et les résidus du barbecue.
7. Nettoyez le gril régulièrement, c'est mieux de le nettoyer après chaque utilisation.
8. Retirez les grilles de cuisson et nettoyez-les soigneusement à l'eau savonneuse. Puis faites-les sécher soigneusement.
9. Utilisez une éponge humide pour éliminer les résidus du gril.
10. Utilisez un chiffon doux et propre pour le séchage. En essuyant, faites bien attention pour ne pas rayer les surfaces.
11. Nettoyez les surfaces internes et externes avec de l'eau tiède savonneuse.
12. Serrez toutes les vis avant chaque utilisation pour garantir la stabilité de votre gril à tout moment.
13. Protégez votre gril contre les intempéries. Comme il est fabriqué en acier, il finira par rouiller. Nettoyez les taches de rouille éventuelles et faites les disparaître avec une peinture ignifuge.

NE PEINTUREZ JAMAIS L'INTÉRIEUR DE L'APPAREIL.

STOCKAGE DU GRIL

1. Nettoyez votre gril avant de le ranger. Stockez le gril dans un emplacement sec.
2. Le gril doit toujours être étayé là où il est protégé de l'humidité.

REMARQUE: NE PAS laisser de charbon de bois dans votre gril si vous n'allez pas l'utiliser. Le charbon de bois et les cendres laissés à l'intérieur du cendrier peuvent réduire la durée de vie de votre gril.

3. Une housse est hautement recommandée pour protéger votre gril. Faites votre choix parmi un large choix de housses de gril proposés par les fabricants.

ÉLIMINATION



L'emballage est fabriqué à partir de matériaux écologiques que vous pouvez éliminer dans vos centres de recyclage locaux.



Ne jetez en aucun cas le gril dans les ordures ménagères! Éliminez-le par l'intermédiaire d'une entreprise d'élimination agréée ou en utilisant votre centre d'élimination communautaire. Respectez les réglementations en vigueur. En cas de doute, contactez votre service d'élimination.

CHALEUR DIRECTE

TABLEAU DE TEMPÉRATURE INTERNE DU BŒUF			
Degré de cuisine	Température interne au cœur	Description interne	Fermeté
Cru	125 °F	Le centre est rouge vif, rosâtre vers la partie extérieure et le steak est chaud partout	Doux au toucher
Saignant	130-135 °F	Le centre est très rose, légèrement brun vers la partie extérieure et le steak légèrement chaud	Ne cède que légèrement au toucher
À moitié cuit	140-145 °F	Le centre est rose clair, la partie extérieure est brune et le steak est chaude partout	Commence à se raffermir au toucher
À moitié cuit	150-155 °F	Surtout gris brunâtre avec un soupçon de rose au centre	Dur au toucher
Bien cuit	155 °F et plus	Le steak est gris brunâtre partout	Dur ou rigide au toucher
TABLEAU DE TEMPÉRATURE INTERNE DE LA VOLAILLE			
Poulet entier	165 °F	Cuire jusqu'à ce que le jus soit clair	Dur au toucher
Viande sombre	165 °F	Cuire jusqu'à ce que tout soit blanc mais encore humide	Dur au toucher
Poitrine de poulet	165 °F	Cuire jusqu'à ce que tout soit blanc mais encore humide	Dur au toucher
Cuisse, ailes et jambes	165 °F	Surtout gris brunâtre avec un soupçon de rose au centre	Dur au toucher
TABLEAU DE TEMPÉRATURE INTERNE DU PORC			
À moitié mûr	150 °F	Rose au centre	
Bien cuit	160 °F et plus	Le porc est uniformément blanc/brun partout	
Côtes de porc	180-200 °F	Blanc pâle. Cuire jusqu'à moyen à bien cuit	
Saucisse crue	160 °F	Non plus rose	
Saucisse (précuite)	140 °F	Non plus rose	

CHALEUR INDIRECTE

Aliments	Poids	Chambre principale du charbon	Thermomètre à viande
Rôtis de boeuf, poitrine de boeuf	3-4 livres	1-1½ heures	140 °F saignant
Rôti d'agneau, venaison	5-7 livres	1¾-1½ heures	160 °F moyen
Grands morceaux de gibier	7-9 livres	2½-3½ heures	170 °F moyen
Rôtis de porc	3-4 livres 5-8 livres	1¾-2½ heures 2½-3 heures	170 °F 170 °F
Côtes de porc/ de bœuf	Gril complet	1½-2 heures	La viande se détache de l'os
Côtes de porc	Gril complet	¾-1¼ heures	La viande se détache de l'os
Liens de saucisses	Gril complet	2-2¾ heures	170 °F pour saucisses fraîches
Jambon frais	10 livres	3-4 heures	170 °F
Jambon cuit	Toutes tailles	1½-2 heures	130 °F
Poulet (coupé ou fendu)	1-4 friteuses, coupées ou fendues	1-1¼ heures	180 °F/le pied bouge facilement dans l'articulation
Poulet (entier)	1-4 friteuses	1¼-1½ heures	180 °F/le pied bouge facilement dans l'articulation
Dinde (non farcie)	8-12 livres	1¾-2½ heures	180 °F/le pied bouge facilement dans l'articulation
Poisson tout petit	Gril complet	½-¾ heure	S'écaille à la fourchette
Poisson, filets, steak	Gril complet	¼-½ heure	S'écaille à la fourchette
Canard	3-5 livres	1-1¾ heures	180 °F/le pied bouge facilement dans l'articulation
Petits gibier à plumes	Gril complet	¾-1 heure	180 °F/le pied bouge facilement dans l'articulation

Merci d'avoir acheté ce Gril à charbon de 30 pouces avec table d'appoint de Royal Gourmet®.

Royal Gourmet garantit que ses produits sont exempts de défauts de matériel et de fabrication pendant **un an** à partir de la date d'achat d'origine s'ils sont assemblés de la manière appropriée, utilisés normalement et entretenus de la façon recommandée. La garantie ne couvre pas la finition de peinture, car elle peut brûler au cours d'un usage normal. **La rouille n'est pas considérée comme un défaut de fabrication ou de matériaux.**

Durant la période de garantie déclarée, Royal Gourmet, à sa discrétion, remplacera gratuitement tout composant défectueux, le propriétaire étant responsable des frais de transport. Royal Gourmet se réserve le droit d'exiger que les pièces défectueuses soient retournées, en port et/ou en fret prépayé par le consommateur pour examen et examen. En cas de problèmes de disponibilité des pièces, Royal Gourmet se réserve le droit de remplacer des pièces similaires qui sont également fonctionnels. À l'expiration de la garantie, toute responsabilité et obligation en découlant cessera.

Remarque: Un reçu de vente daté avec le numéro de modèle et le numéro de série sera nécessaire pour le service de garantie.

Cette garantie limitée ne vous remboursera pas le coût des inconvénients, de la nourriture, des blessures corporelles ou des dommages matériels. Toute couverture de garantie est nulle si ce gril est utilisé à des fins commerciales ou de location. Cette garantie limitée s'applique **UNIQUEMENT** au fonctionnement du produit et ne couvre pas les rayures, les bosses, la corrosion ou la décoloration causées par la chaleur, les nettoyeurs abrasifs et chimiques, ou par les outils utilisés dans l'assemblage ou l'installation de l'appareil, l'oxydation du surfaces ou décoloration des surfaces en acier inoxydable.

CE QUI N'EST PAS COUVERT PAR LA GARANTIE

Toutes défaillances ou difficultés au niveau du fonctionnement causées par un accident, l'abus, une mauvaise utilisation, une modification, une mauvaise application, le vandalisme, une mauvaise installation, l'entretien/le service incorrect, ou un manquement à fournir l'entretien régulier, y compris sans limitations les dommages causés par les insectes dans les brûleurs, tel qu'indiqué dans le guide de l'utilisateur.

La détérioration ou les dommages causés par les intempéries telles que la grêle, les ouragans, les tremblements de terre ou les tornades, la décoloration suite à l'exposition directe ou indirecte aux produits chimiques.

Coûts d'expédition ou de transport.

Coûts des appels de service.

Coûts d'enlèvement ou de réinstallation.

La collecte et la livraison de votre produit.

Coûts de main d'œuvre pour l'installation et les réparations.

Responsabilité pour les dommages indirects ou consécutifs.

Cette garantie limitée tient lieu de garantie unique offerte par Royal Gourmet et remplace toute autre garantie expresse ou implicite, y compris toute garantie implicite d'aptitude à la commercialisation ou d'adaptation à un usage particulier. Ni Royal Gourmet ni le détaillant qui vend ce produit ne sont autorisés à fournir des garanties ou à promettre quoi que ce soit qui dépasse ou qui contredit ce qui est énoncé ci-dessus.

La responsabilité maximale de Royal Gourmet, dans tous les cas, ne peut dépasser le prix d'achat de l'article payé par le consommateur ou l'acheteur d'origine. Certains États et certaines provinces ne permettent pas l'exclusion ni la limitation de dommages directs ou indirects. Par conséquent, les exclusions ou limitations indiquées ci-dessus peuvent ne pas vous être applicables.

Ne retournez aucune pièces sans avoir préalablement obtenu l'autorisation de retour de notre service clientèle.

N'hésitez pas à contacter notre service de clientèle si vous avez des questions concernant l'assemblage, la garantie ou les accessoires. Nous serons heureux de vous proposer les pièces de rechange dont vous avez besoin pendant la période de garantie.



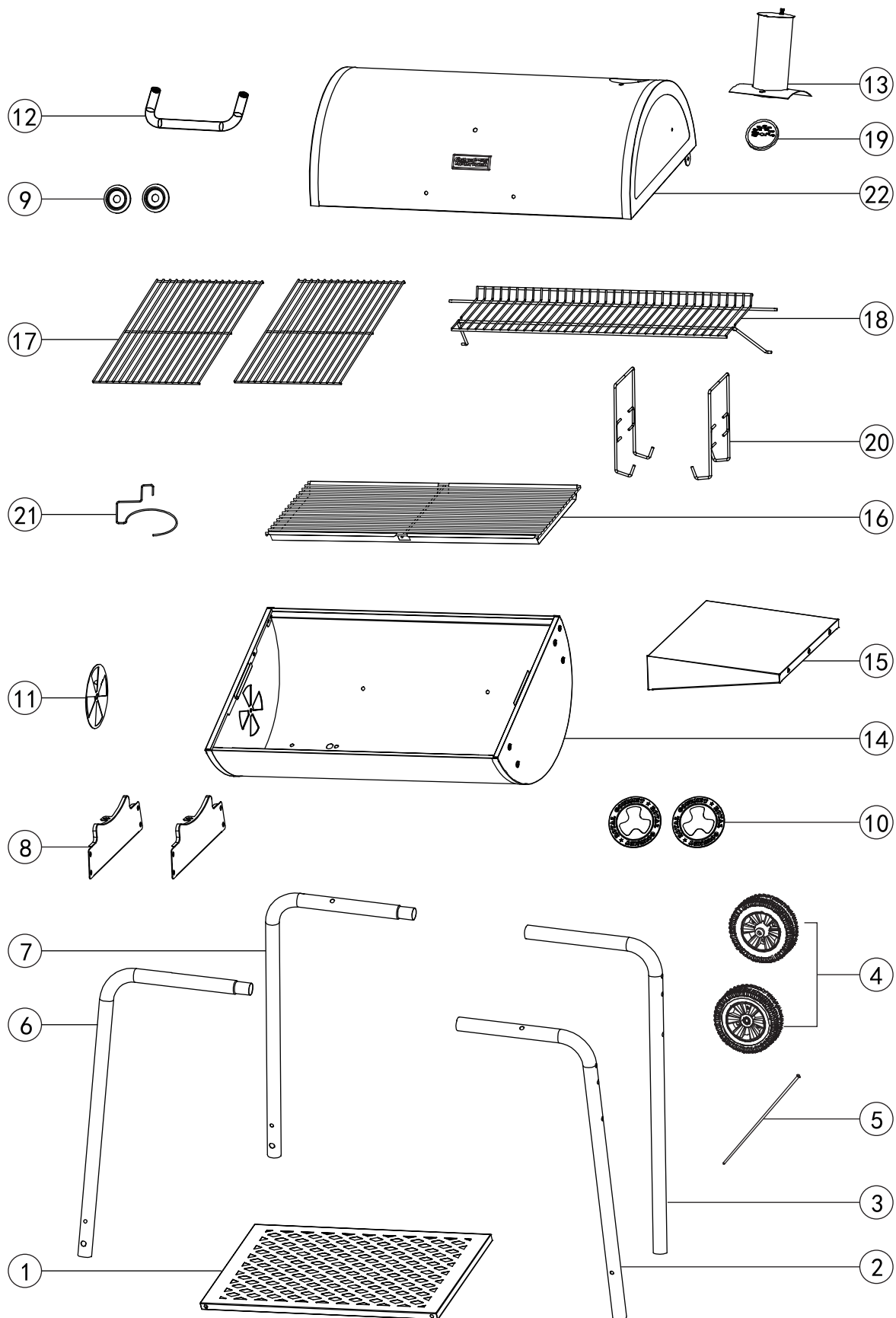
1-800-618-6798

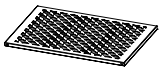




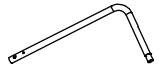







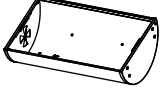
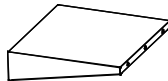









service@royalgourmetusa.com











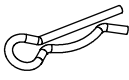




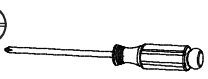

Du lundi au vendredi, de 8 h 30 à 17 h 00, HNE



No.	#	QYT / CANT. / QTÉ	Description / Descripción / Description	Image / Imagen / Image
1	Z-CC1830056	1	Bottom shelf Estante inferior Étagère inférieure	
2	Z-CC1830S015	1	Right front leg Pata delantera derecha Jambe avant droite	
3	Z-CC1830S014	1	Right back leg Pata trasera derecha Jambe arrière droite	
4	05-SLL-04	2	Wheel Rueda Roue	
5	06-XZL-1-04A-DY	1	Wheel axle Eje de las ruedas Essieu de roue	
6	Z-CC1830S016	1	Left front leg Pata delantera izquierda Jambe avant gauche	
7	Z-CC1830S017	1	Left back leg Pata trasera izquierda Jambe arrière gauche	
8	Z-CC1830010	2	Leg brace Placa de sujeción de las patas Renfort de jambe	
9	04-BSZ-26-DH	2	Handle base Base del asa Base de la poignée	
10	05-LGL-04-WH	2	Wheel cover Cubierta de la rueda Enjoliveur de roue	
11	TY-YFMP01	1	Damper Regulador de tiro Amortisseur	
12	04-GBS-2-11-200-PG	1	Handle Asa Poignée	
13	CYC01H TY-YCGB01	1	Stack Chimenea Cheminée	
14	H-CC1830M004	1	Grill chamber Compartimento de la parrilla Chambre du grill	
15	H-CC1830015	1	Side table Estante lateral Table d'appoint	
16	Z-CC1830008 03-XWJ-C-50-B-PT1	1	Charcoal pan set Conjunto se bandejas de carbón Ensemble de bac à charbon	
17	03-XKW-C-09-E-TC3	2	Cooking grate Rejilla para asar Grille de cuisson	

No.	#	QYT / CANT. / QTÉ	Description / Descripción / Description	Image / Imagen / Image
18	03-BWW-C-05-B-DD1 03-WZJ-C-04-A-DD1	1	Warming rack Rejilla para calentar Grille de réchauffement	
19	06-WDJ-1-04	1	Thermometer Termómetro Thermomètre	
20	06-TSL-23-DD1	2	Lifting rack Riel de distintas alturas Grilles de levage	
21	07-GGL-36	1	Ash cup holder Soporte de la taza de ceniza Porte-gobelet en frêne	
22	H-CC1830001	1	Grill chamber lid Tapa del compartimento de la parrilla Couvercle de la chambre du grill	

Key / Clave / Réf.	Description / Descripción / Description	QTY / CANT. / QTÉ	Image / Imagen / Image
A	M6x12	23	 
B	M6x45	4	 
C	M6	5	 
D	M6	2	 
E	M6x35	3	 
F	Split pin Pasador partido Goupille fendue	3	
G	Washer Arandela Rondelle	2	

TOOLS REQUIRED / HERRAMIENTAS REQUERIDAS / OUTILS REQUIS		
Description / Descripción / Description		Image / Imagen / Image
Phillips screwdriver Destornillador phillips Tournevis phillips	Wrench Llave Clé	  

Before beginning assembly, make sure all parts are present. If any parts are missing or damaged, do not attempt to assemble the products. Contact customer service for replacement parts via telephone or email.

- Tools needed (not included): Phillips screwdriver and wrench
- Approximate assembly time: 30 minutes
- Note: 1. The right and left sides of the grill are designed as if you are facing the front of the grill.
2. Model shown for illustration purpose only, specific please in kind prevail.

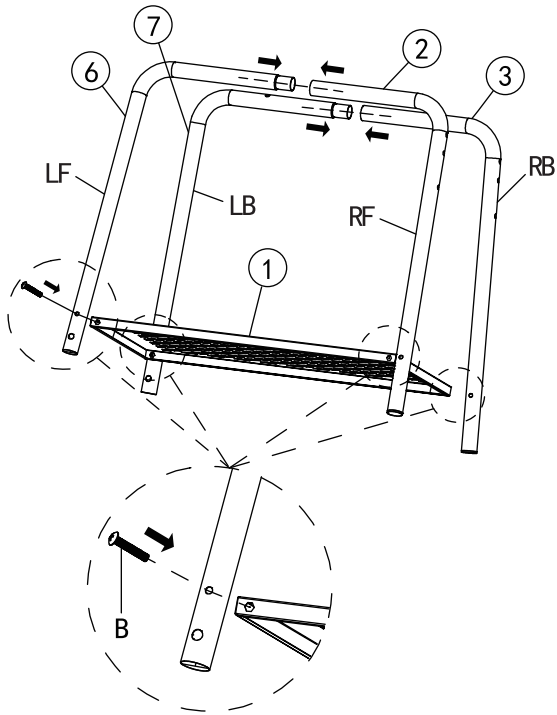
Antes de comenzar el montaje, asegúrese de que todas las piezas estén presentes. Si falta alguna pieza o está dañada, no intente ensamblar los productos. Póngase en contacto con el servicio de atención al cliente para obtener piezas de repuesto por teléfono o correo electrónico.

- Herramienta necesaria (no incluido): Destornillador phillips y llave
- Tiempo aproximado de ensamblaje: 30 minutos
- Nota: 1. Los lados derecho e izquierdo de la parrilla están diseñados como si estuvieras frente a la parte delantera de la parrilla.
2. El modelo que se muestra es sólo para fines ilustrativos, prevalecen los específicos en especie.

Avant de commencer l'assemblage, assurez-vous que toutes les pièces sont présentes. Si des pièces sont manquantes ou endommagées, n'essayez pas d'assembler les produits. Contactez le service de clientèle pour les pièces de rechange par téléphone ou par e-mail.

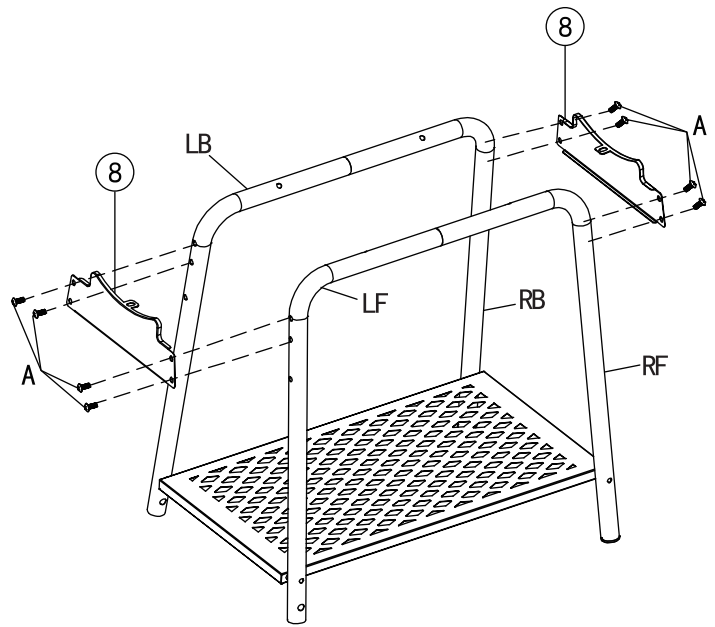
- Outils nécessaires (non inclus): Tournevis phillips et clé
- Temps nécessaire pour l'assemblage: 30 minutes
- Remarque: 1. Les côtés droit et gauche du gril sont conçus comme si vous faisiez face à l'avant du gril.
2. Le modèle est présenté à des fins d'illustration uniquement, spécifiques en nature prévalent.



1 B  ⊕ ×4

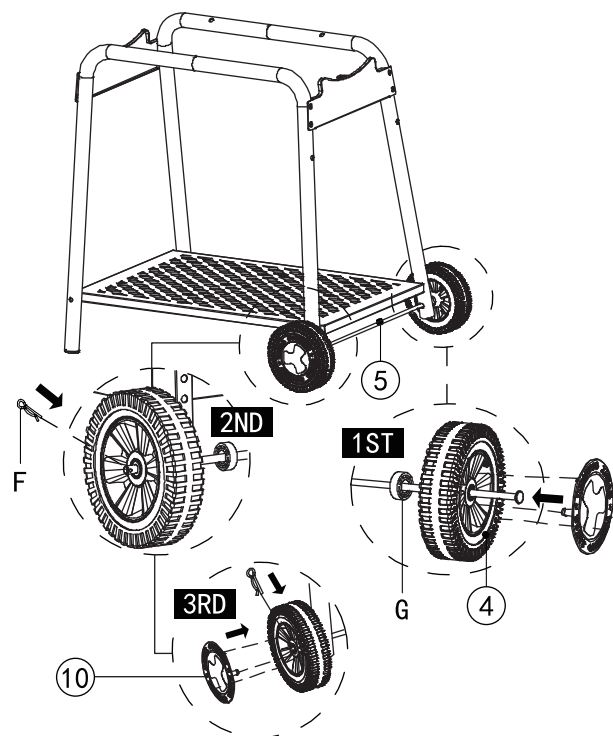



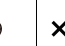
2 A  ⊕ ×8

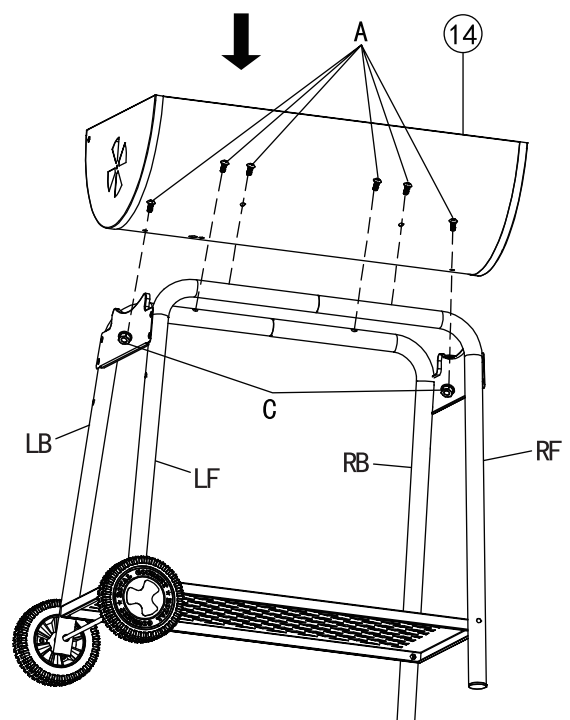
- Do not secure the bolts until step 4.
- No apretar las tornillos hasta el paso 4.
- Ne pas fixer les boulons avant l'étape 4.




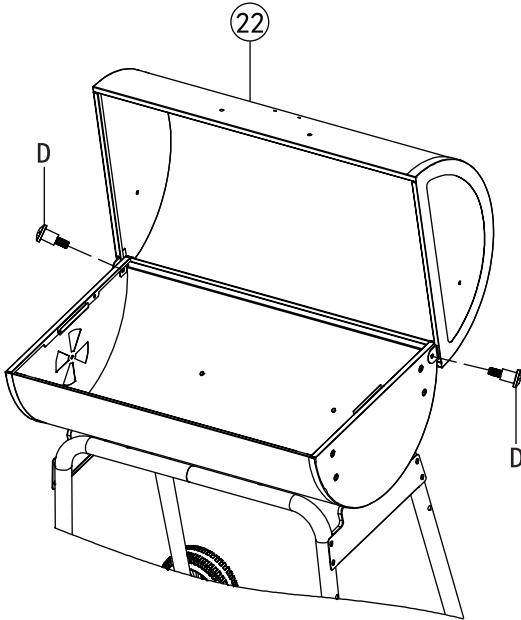
3 F  ×1
G  ×2





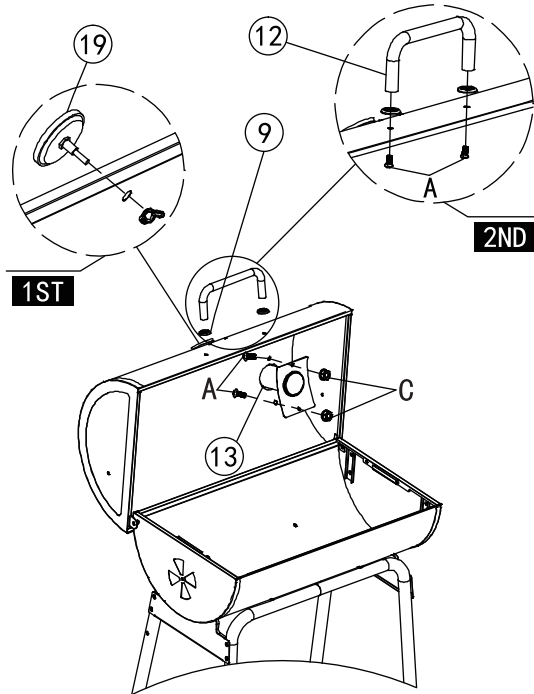
4 A  ⊕ ×6
C  ×2



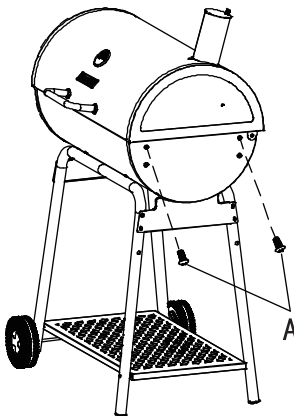
5	D		x2
----------	---	---	----



6	A		x4
	C		x2

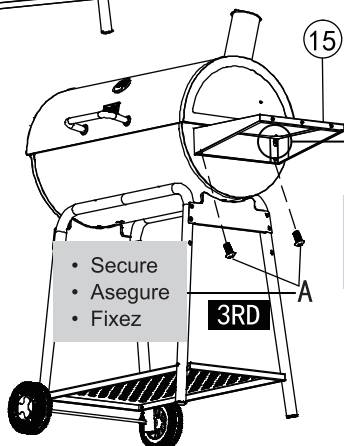


7	A		x4
----------	---	---	----



1ST

- Half screw
- Medio tornillo
- Vissez à moitié





2ND

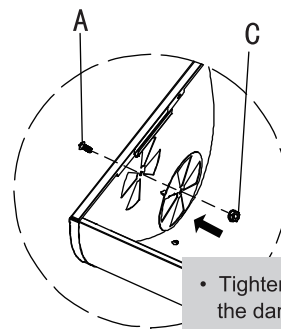
- Tighten
- Apretar
- Serrez

- Secure
- Asegure
- Fixez

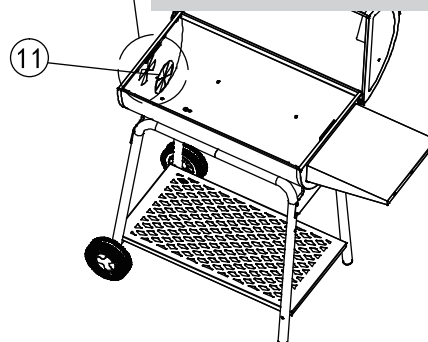
3RD

8	A		x1
	C		x1

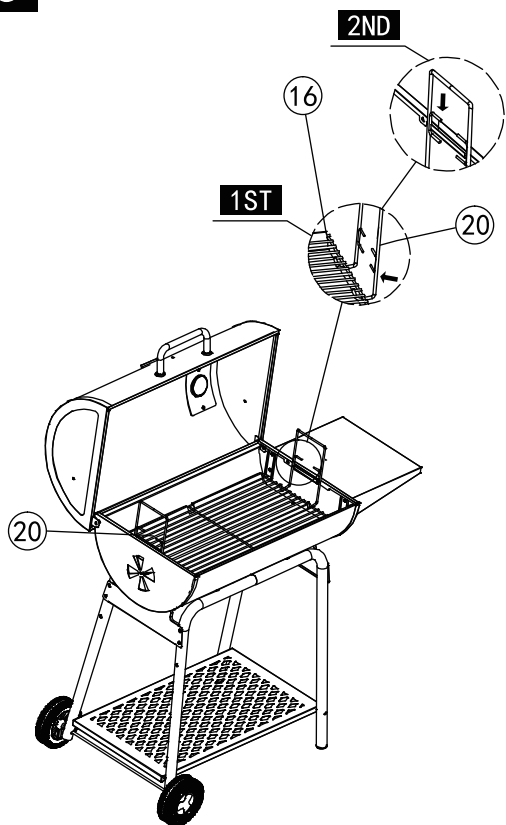
- Note direction.
- Dirección de la nota.
- Direction de la note.




- Tighten just enough to allow the damper to revolve freely.
- Ajuste lo suficiente como para permitir que los reguladores giren libremente.
- Serrez juste assez pour permettre les amortisseurs de tourner librement.

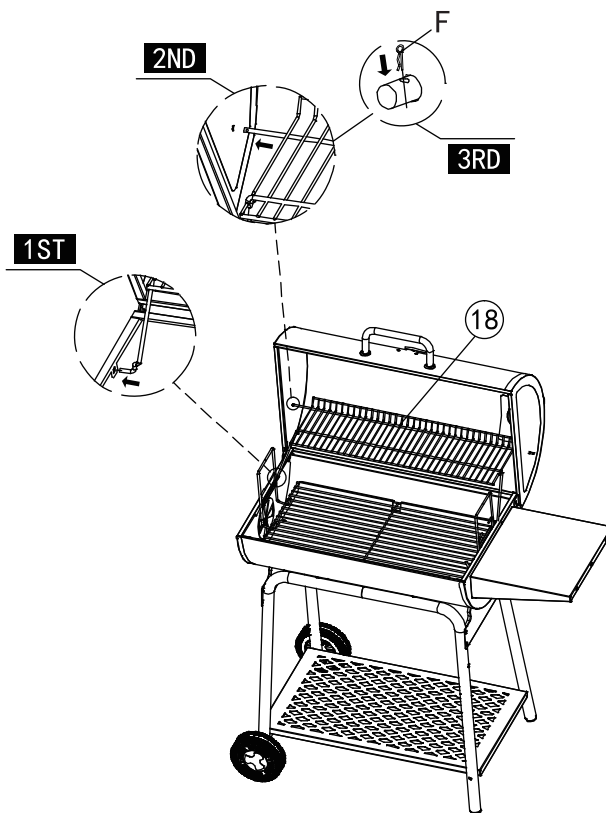


9

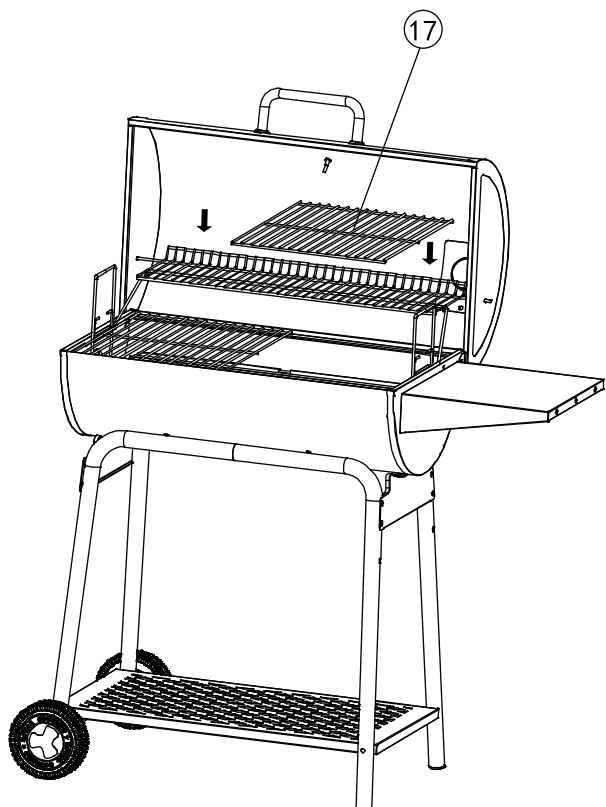


10


F  ×2

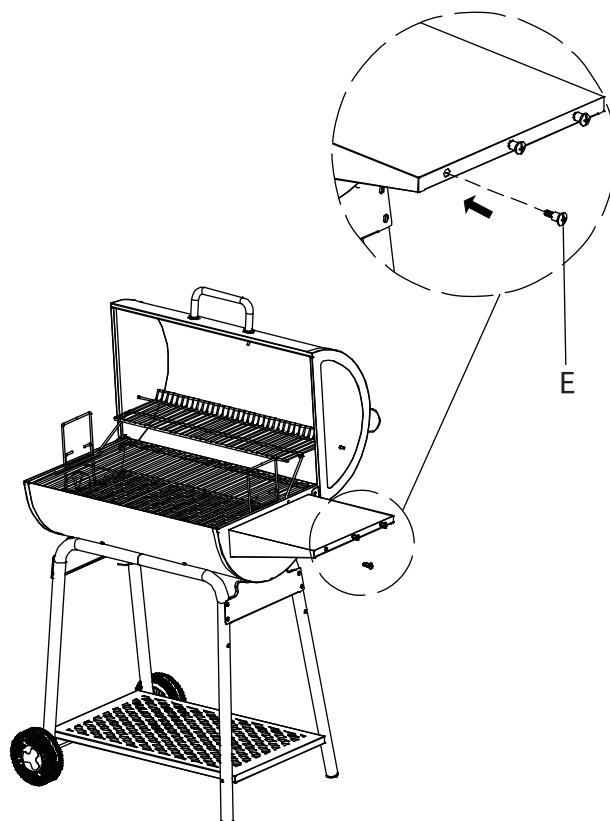


11

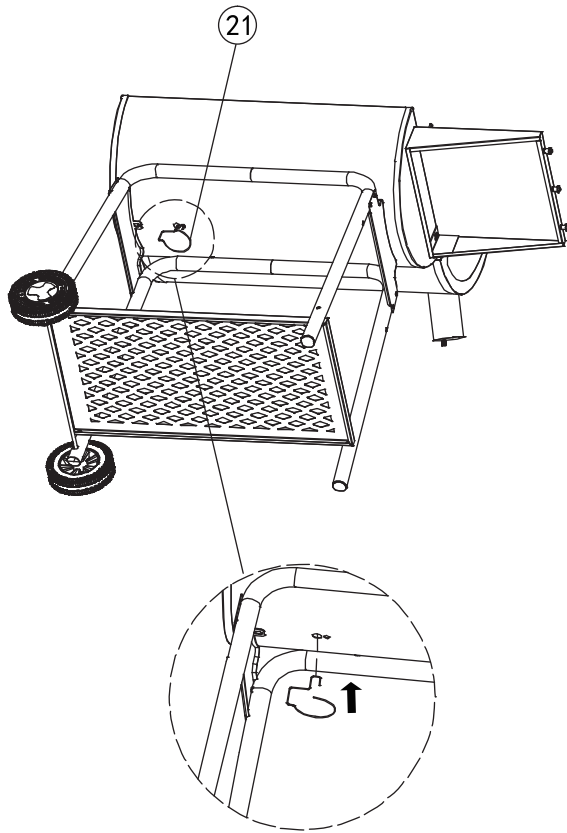


12

E  ×3



13



**Thank You
For Choosing Us.**

**Any Problem!
We Can Help!**

**Customer
Service**

1-800-618-6798

Monday to Friday (8:30 am - 5:00 pm EST)

service@royalgourmetusa.com