

 **WONDERCHEF**[®]
Cook with Pride

Nutri-blend

USER MANUAL




SEAL OF CONFIDENCE

2

Years
warranty

230V ~ 50Hz 400W

Sayan Kopper
 **WONDERCHEF**

Thank you for purchasing the WONDERCHEF “Nutri-blend”.
Please read this instruction carefully before your first use of this product.

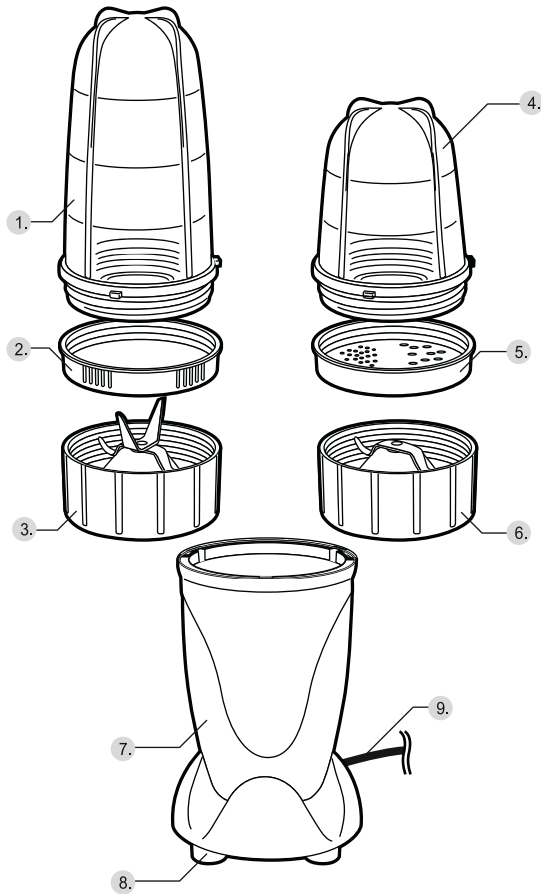
IMPORTANT SAFE GUARDS

1. Make sure your electricity supply is 230V-50Hz.
2. Use the unit only as described in this manual.
3. To prevent from electrical shock, do not immerse the motor base and the cord set into water.
4. This is not a toy. Close supervision is required when the unit is used by or near children.
5. This unit is intended for household use only. Do not use the unit at outdoors or for other purpose than intended.
6. Never leave the unit unattended while it is in operation. Avoid contacting with the moving parts.
7. Ensure to unplug the unit when not in use, assembling or disassembling, and before cleaning.
8. The use of attachments, including the jars, not recommended by the manufacturer may cause a risk of injury to persons.
9. Blades are sharp. Handle with care.
10. Do not place the unit near any explosives, heated oven or hot surfaces.
11. Place the unit on a flat heat-resistant surface.
12. Do not let the cords hang over the edge of table or the like.
13. Please hold the plug to disconnect from the power socket.
14. Do not run the unit continuously for longer than 1 minute at a time. Wait at least 3 minutes before running the unit again.
15. This unit is not intended for use by persons (including children) with reduced physical, sensory or mental capabilities, or lack of experience and knowledge, unless they have been given supervision or instruction concerning use of the appliance by a person responsible for their safety.

NOTE :

To avoid danger of electric shock, unplug the unit from outlet when not in use or before cleaning. If the supply cord is damaged, stop to use immediately and bring it back to service centre for repair.

PARTS DIAGRAM



1.	Long Jar (500ml)	6.	Blade for Chopping
2.	Lid	7.	Motor Base
3.	Blade for Blending	8.	Rubber Footing
4.	Short Jar (300ml)	9.	Power Cord & Plug Set
5.	Seasoning Cap		

FIRST USE

1. Remove all packaging materials and labels.
2. Clean the motor base and the parts thoroughly before use (See "Cleaning and Maintenance")
3. Plug in the unit into the power outlet, the unit is now ready for use.

OPERATING INSTRUCTIONS

1. Plug the unit into a proper power socket at 230V— 50Hz.
2. The unit is designed with a built-in safety system. If the Jar is not securely locked into the motor base, the unit will not function.
3. The Nutri-blend can be used for blending or grinding. You can use the unit with different modes as below :

A. Blending :

1. Put the prepared fruit (eg. apple, carrot, kiwi, strawberry, etc.) into the Long Jar.
2. Cover the Long Jar with the Blade for blending (Fig. 1)
3. Put the Jar onto the motor. Make sure the Ledges of the Jar are in correct position on two grooves of the motor base. (Fig. 2)
4. Push down the Jar and turn it clockwise to lock into the motor base (Fig. 3). The unit starts operating.
5. When the blending is completed, turn the Jar anti-clockwise to release from the motor base (Fig. 4). The operation will stop.
6. Take out the Jar and open the Blade holder. Pour the blended juice into a container and ready for serve.
7. Or you can cover the Jar with the Lid (Fig. 5). Keep in the refrigerator for serving later.



Fig. 1



Fig. 2



Fig. 3



Fig. 4

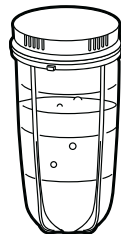


Fig. 5

OPERATING INSTRUCTIONS

B. Grinding :

1. Put the prepared ingredient (eg. coffee bean, soya bean, rock sugar, sesame, etc.) into the Short Jar.
2. Cover the Short Jar with the Blade for grinding (Fig. 6)
3. Put the Jar onto the motor. Make sure the Ledges of the Jar are in correct position on two grooves of the motor base. (Fig. 7)
4. Push down the Jar and turn it clockwise to lock into the motor base (Fig. 8). The unit starts operating.
5. When the grinding is finished, turn the Jar anti-clockwise to release from the motor base (Fig. 9). The operation will stop.
6. Take out the Jar and open the Blade holder. Pour the grinded food into a container and ready for use.
7. Or you can cover the Jar with the Seasoning Cap for use directly (Fig. 10).



Fig. 6



Fig. 7

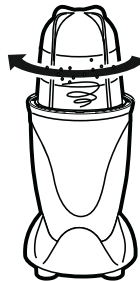


Fig. 8

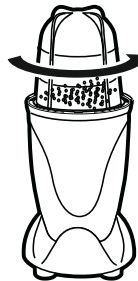


Fig. 9



Fig. 10

NOTE :

1. The blades are sharp. Please handle with care.
2. Do not run the unit continuously for longer than 1 minute at a time. Wait at least 3 minutes before running the unit again.
3. Do not over put food into the Jar for operation. (Maximum loading capacity is 80ml for Short Jar and 250ml for Long Jar.)

CLEANING AND MAINTENANCE

1. Unplug the unit before cleaning.
2. Take off all the parts and clean under the running water (Fig. 11). Rinse and dry.
3. Do not immerse the motor base and power cord set into water (Fig. 12). Clean the motor base with a damp cloth and wipe it dry (Fig. 13).



Fig. 11



Fig. 12



Fig. 13

NOTE :

1. Do not immerse the motor base and power cord set into water.
2. The Blades are sharp. Handle with care and patience.
3. Make sure the blades are thoroughly dry after each cleaning in order to avoid furring.
4. Cleaning is required after each operation.

STORAGE

1. Follow above Cleaning Instruction to well maintain the unit before storage.
2. Tidy up the power cord.
3. Keep the unit away from children's easy access.
4. Store the unit and the accessories at a dry, cool place.

SPECIFICATIONS

Voltage : 230V ~ 50Hz

Power: 400W

Model No.: BL216AB

Jar Capacity : 300ml (Short Jar)

500ml (Long Jar)

Loading Capacity : 80ml (Short Jar)

250ml (Long Jar)

IMPORTANT :

1. The unit is designed for household use only.
2. Commercial users will not obtain the regular warranty as stated in the terms of the warranty card.

Nutri-blend



 **WONDERCHEF®**
Cook with Pride

Wonderchef Home Appliances Pvt. Ltd.

Unit No. 303, 3rd Floor, B Wing, Supreme Business Park,
Hiranandani Gardens, Powai, Mumbai - 400076, Maharashtra,
India. Customer Care Number: 18602660788*

Email Id: care@wonderchef.in | www.wonderchef.com

*Standard charges apply.