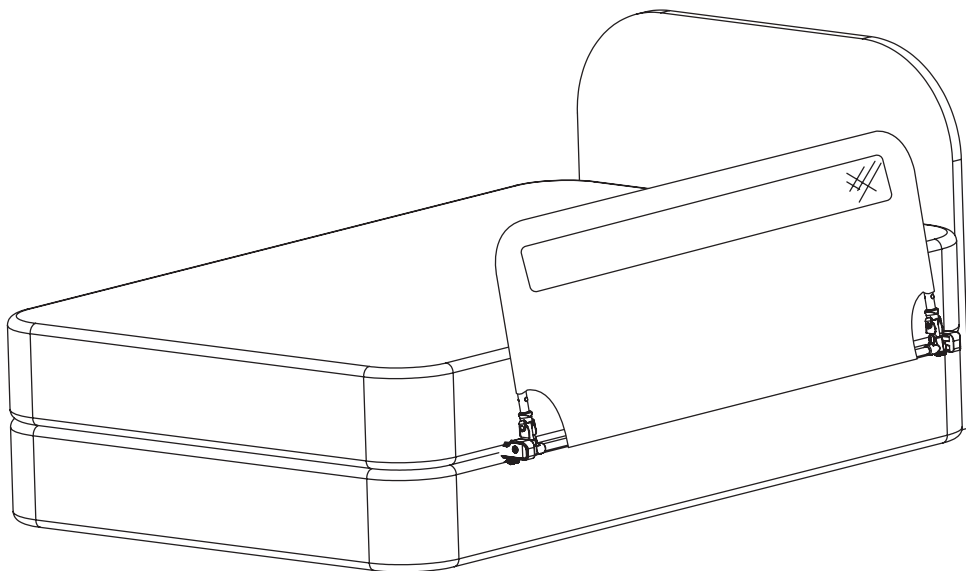




# HideAway Bed Rail

OWNER'S MANUAL MODELS: 4010 HD, 5010 HD,  
5030 HD,




- READ ALL INSTRUCTIONS BEFORE ASSEMBLY AND USE OF BED RAIL.
- KEEP INSTRUCTIONS FOR FUTURE USE.

 [www.regalo-baby.com](http://www.regalo-baby.com)

 Regalo International, LLC.

3200 Corporate Center Drive, Suite 100 / Burnsville, MN 55306, USA

 866.272.5274 (U.S. only) or 952.435.1080

Made in China

# Before Using Product

---

Read and follow all instructions carefully to ensure that your product is properly installed. Failure to follow these instructions for the assembly of use of your bed rail could result in serious injury or death. The safety of your child is your responsibility. Please keep these instructions for your reference.

## IMPORTANT

- Do not use two separate bed rails on one bed. The bed rails will not function properly and could be a safety hazard. Should you need coverage on both sides of the bed, purchase the Regalo Double Sided Bed Rail.

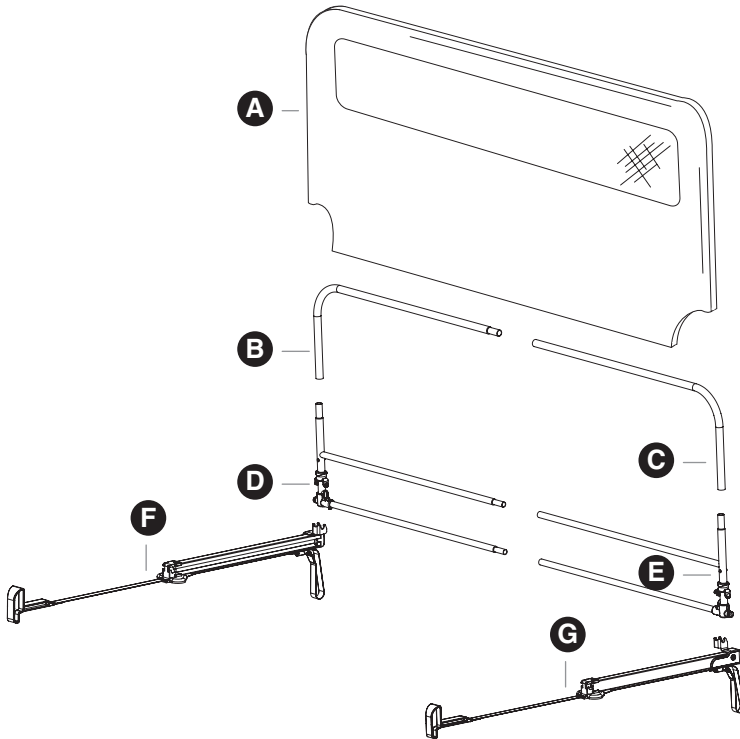


## WARNING

- SUFFOCATION AND STRANGULATION HAZARD
- Gaps in and around bed rails have entrapped young children and killed infants.
- NEVER use with children younger than 2 years old. USE ONLY with older children who can get in and out of adult bed without help. NEVER use in place of crib.
- NEVER use unless bed rail is tight against mattress, without gaps, and at least 9 in. from headboard and footboard. Do not fill gaps with pillows, blankets, or other items that can suffocate children.
- NEVER use on toddler bed, bunk bed, water bed, or bed with inflatable mattress. Use ONLY on adult bed.
- Use ONLY on a bed ranging from twin size to queen size.
- Use ONLY on adult bed with box spring and mattress.
- This bed rail is NOT recommended to be used on a platform or similar style bed.
- This bed rail is intended for use with children 2 years to 5 years of age.
- Discontinue use if damaged, broken, or if parts are missing.
- Do not use if bed rail is not fully assembled.
- Periodically check that all spring pins are fully engaged on bed rail support bars.

# Before Assembly

---



PLEASE CHECK TO MAKE SURE YOU HAVE THE FOLLOWING PARTS:

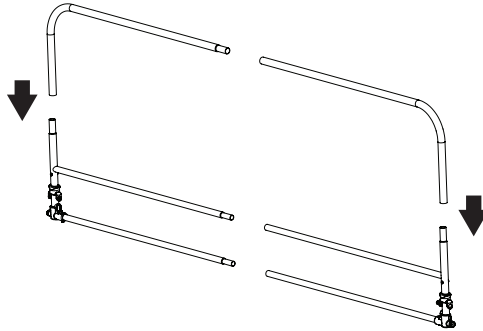
- A** *Mesh Wall*
- B** *Right Upper Support Bar*
- C** *Left Upper Support Bar*
- D** *Right Bottom Support Bar*
- E** *Left Bottom Support Bar*
- F** *Right Guide Arm Assembly*
- G** *Left Guide Arm Assembly*

# Assembling Your Bed Rail

---

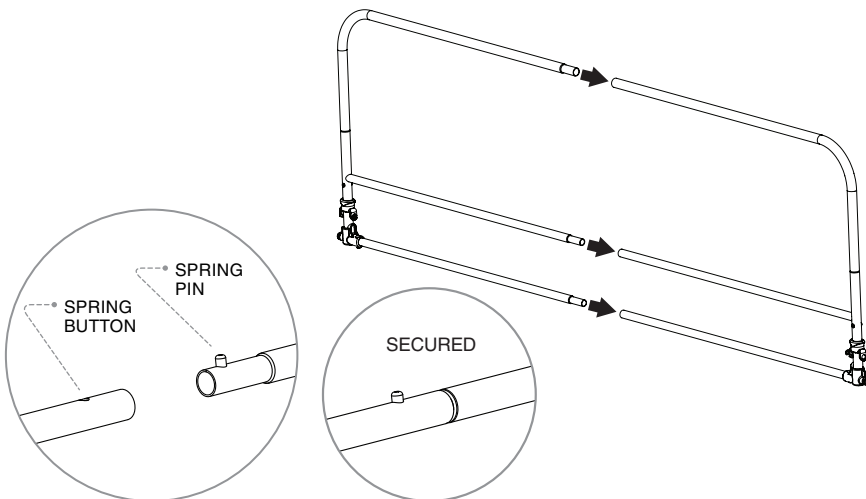
## STEP 1

Insert the *left upper support bar* into the *left bottom support bar*. Make sure the spring pin fits securely into the opposing hole so that the two pieces cannot pull apart. Repeat on the right side of the *bed rail*.



## STEP 2

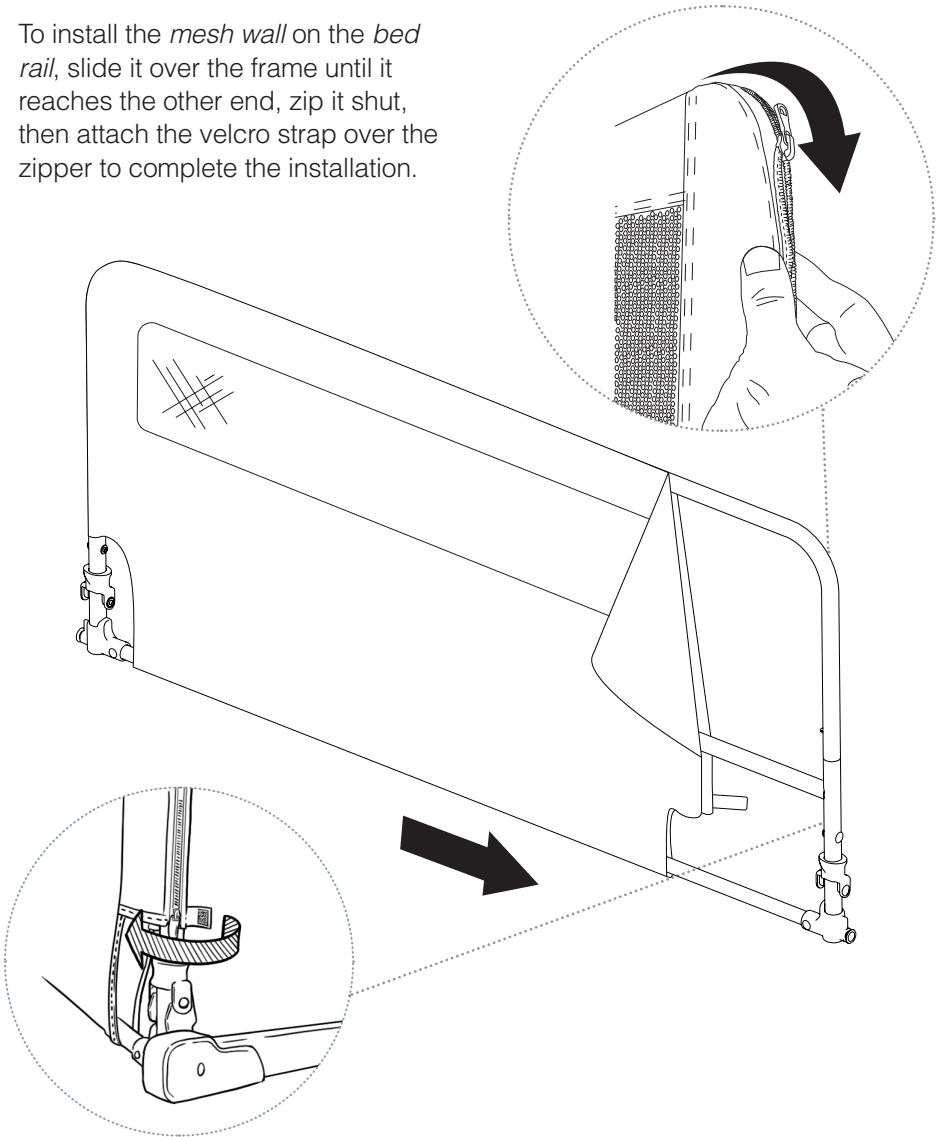
With the left and right sides of the *bed rail* assembled, connect the two sides.



**NOTE:** Make sure that the spring pins are secured into the opposing holes so that the *bed rail* cannot pull apart.

### STEP 3

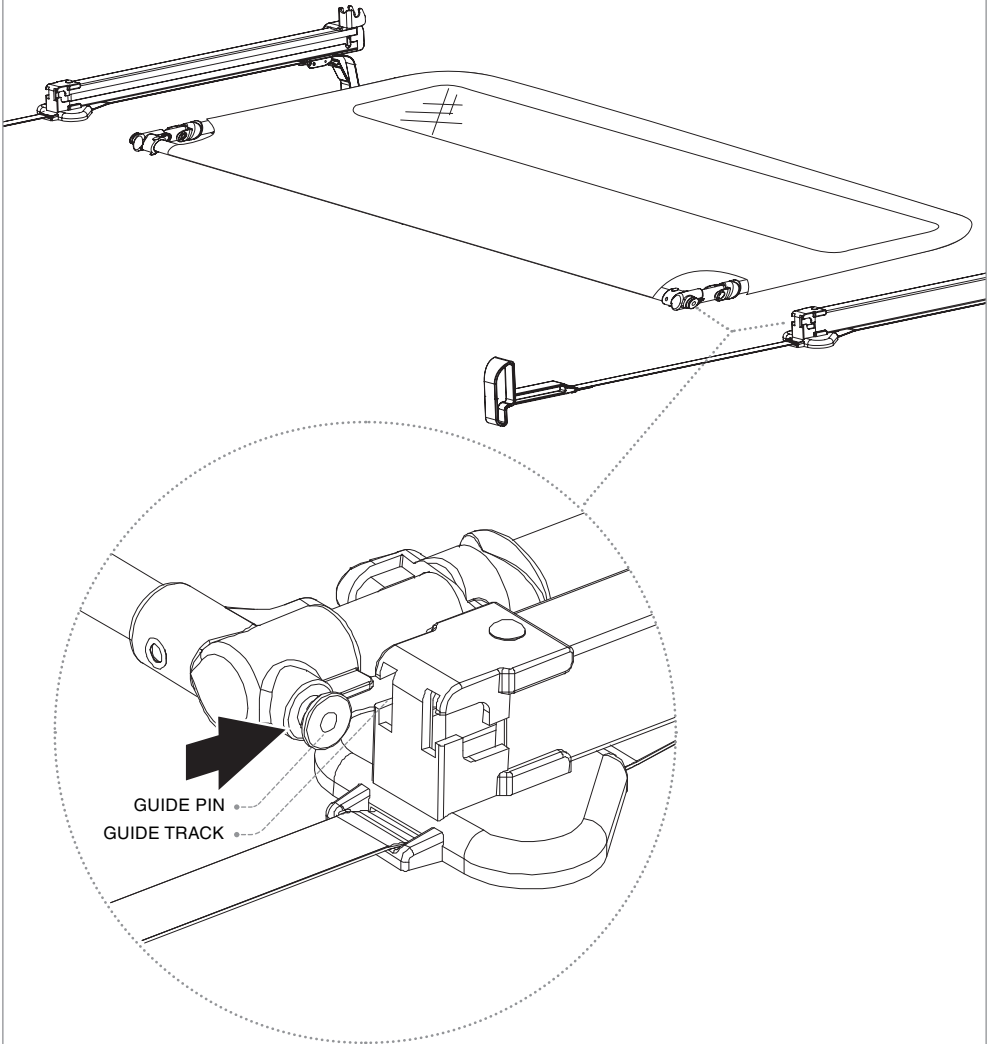
To install the *mesh wall* on the *bed rail*, slide it over the frame until it reaches the other end, zip it shut, then attach the velcro strap over the zipper to complete the installation.



**NOTE:** If the zipper does not close securely, make the necessary adjustments to ensure proper closure. **DO NOT** use the *bed rail* without securely zipping the *mesh wall* properly.

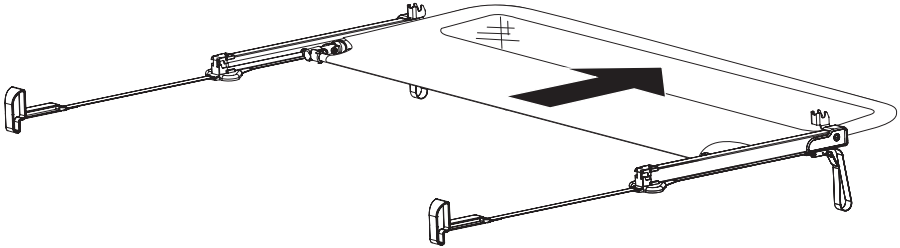
## STEP 4

Lay the *frame assembly* flat, and align the *left guide pins* with the *guide track* on the *left guide arm assembly*. Repeat this on the right side.



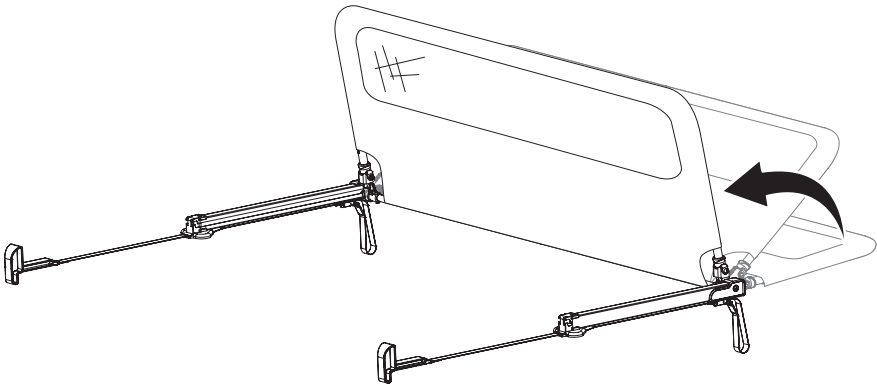
## STEP 5

Slide the *frame assembly* along the *guide track* on each side.



## STEP 6

When the *frame assembly* is at the end of the *guide tracks*, pivot the *frame assembly* into an upright position.



**NOTE:** When you swing the *frame assembly* into the upright position, it should automatically lock into place. If it does not lock in easily, adjust the bars of the *bed rail* and try again. Ensure that the locking mechanism is working properly before use.

# Mounting Your Bed Rail to the Bed

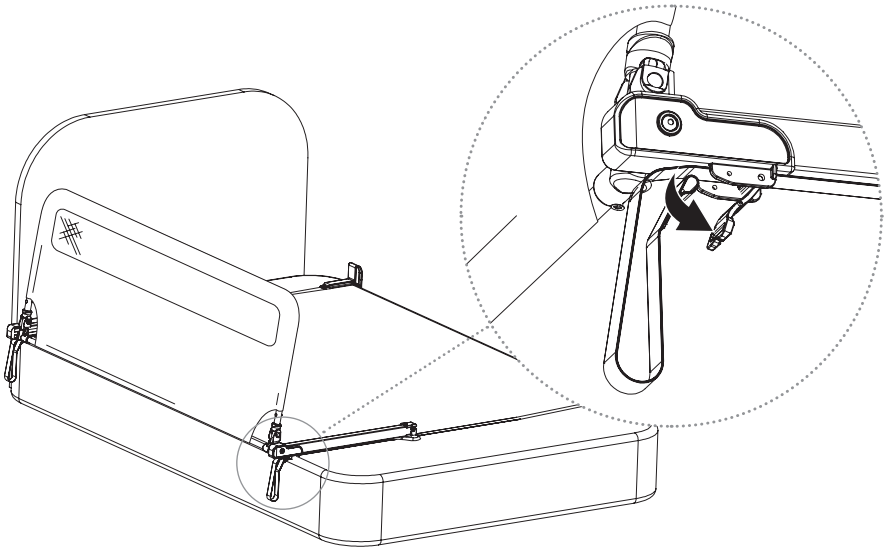
---

**NOTE:** The following step may require the help of an additional person.

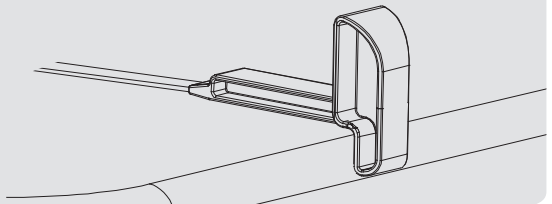
## STEP 1

Remove the mattress from the bed and place the *bed rail* on top of the box spring that supports the mattress. The *straps* and *anchors* should be extended opposite the *bed rail* and mounted to the other side of the box spring.

You may need to release the *strap locking buckles* located on the under side of the *guide arm assemblies*.

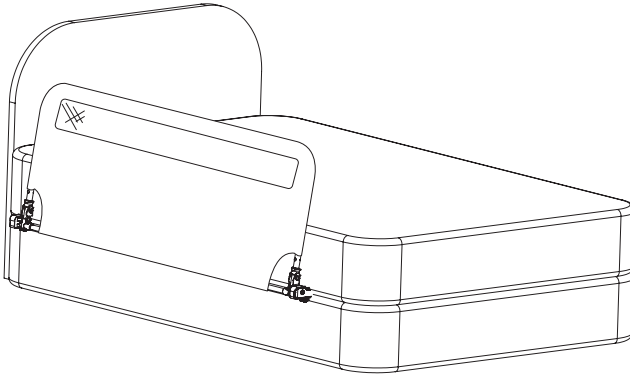


**NOTE:** Ensure that the large end of the anchor is pointing up. The *anchoring straps* should not be twisted. If twisted, the *anchoring straps* will not tighten properly.



## STEP 2

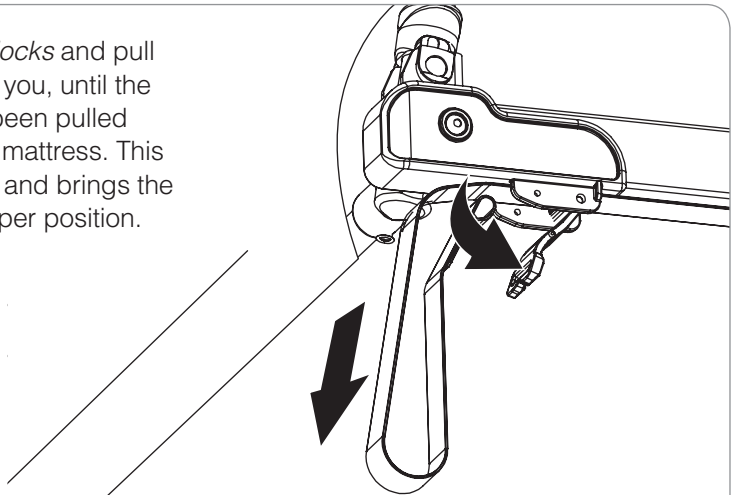
Once the *bed rail* is properly placed, check to make sure the *guide arm assemblies* are parallel to one another. Then, place the mattress on top of the assembly.



**NOTE:** The *bed rail mesh wall* must fit firmly against the side of the mattress. This requires you to properly tighten the *anchoring straps*, which can be difficult. Please follow the next STEP 3 – 4 carefully for the safest installation.

## STEP 3

Release the *strap locks* and pull the straps towards you, until the excess slack has been pulled out from under the mattress. This tightens the straps and brings the *bed rail* into its proper position.



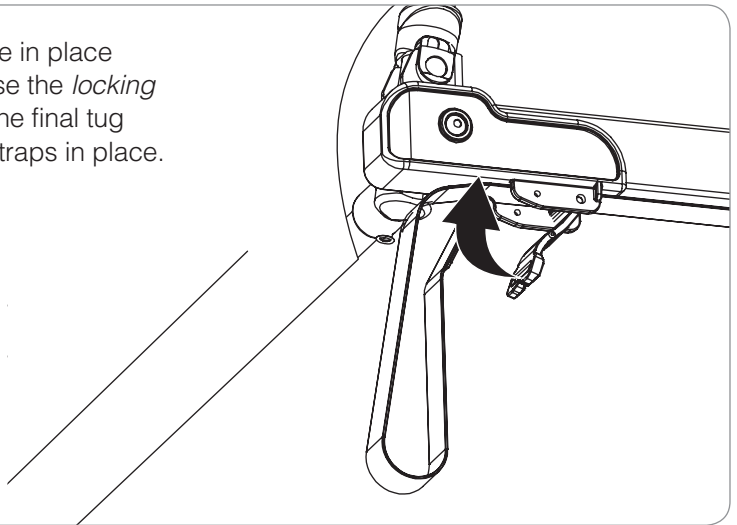
**NOTE:** When using this *bed rail* on a foam mattress, with little or no internal structure, make sure the straps are not over tightened. If the straps are too tight the mattress will likely fold or buckle in the middle. This will limit the *bed rail's* ability to provide your child with the highest level of safety.

Make slight adjustments to find the best level of tightness on your mattress. The *bed rail* must be tight, but should not cause the mattress to buckle or fold.

If the straps do not pull through smoothly it may be twisted under the mattress. Straighten the straps before continuing with the installation.

#### STEP 4

Once the straps are in place and tightened, close the *locking buckle* by giving one final tug while holding the straps in place.



**NOTE:** When everything is locked and in place, check to make sure the *mesh wall* of the *bed rail* is firmly up against the side of the mattress. There should be NO GAPS. Check for twisted straps and retighten the straps as needed.

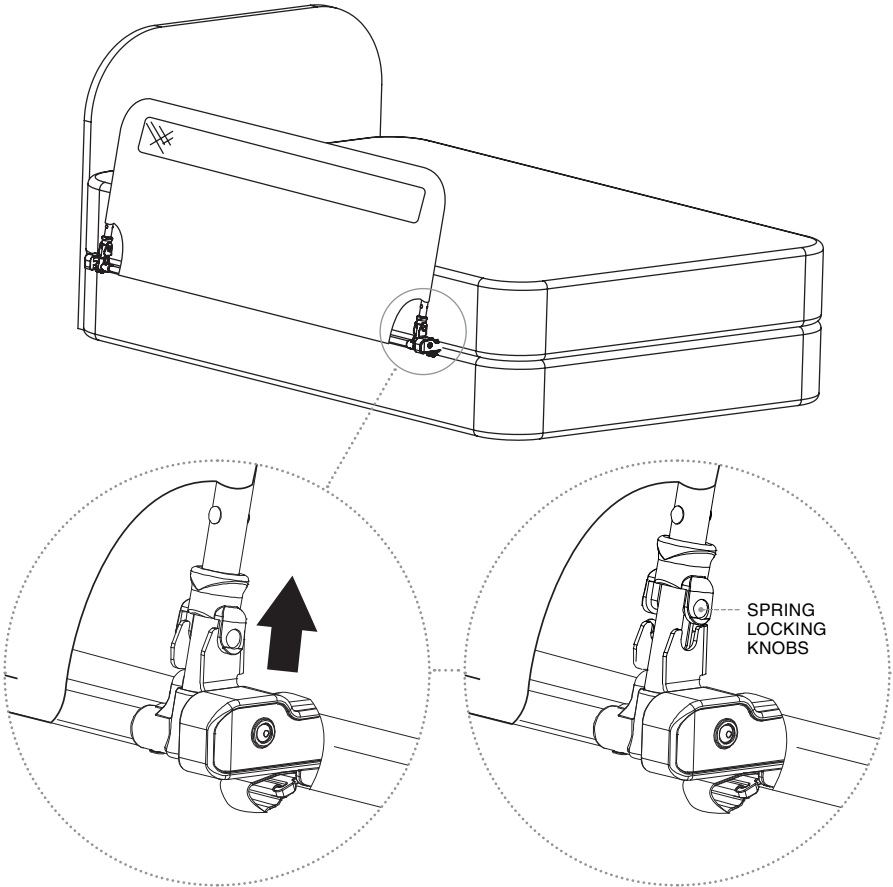
The excess straps can be tucked under the mattress when the installation is complete. Do not cut excess strap, may cause strap to fray.

# Operating the HideAway Feature

---

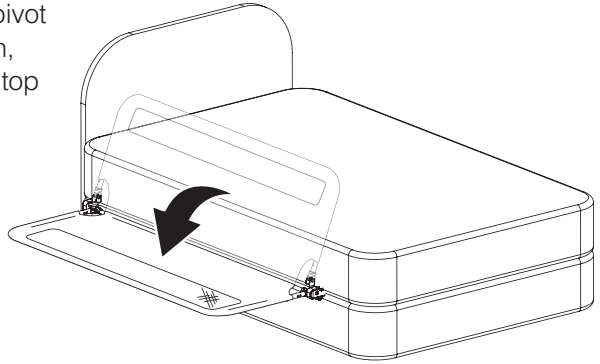
## STEP 1

Locate the *spring locking knobs* on each of the hinges. Pull them up towards the top of the *bed rail*, releasing the frame structure from its upright position. This will allow the upper part of the *bed rail* to move freely.



## STEP 2

With both sides unlocked, pivot the *bed rail mesh wall* down, so that it is parallel with the top surface of the mattress.

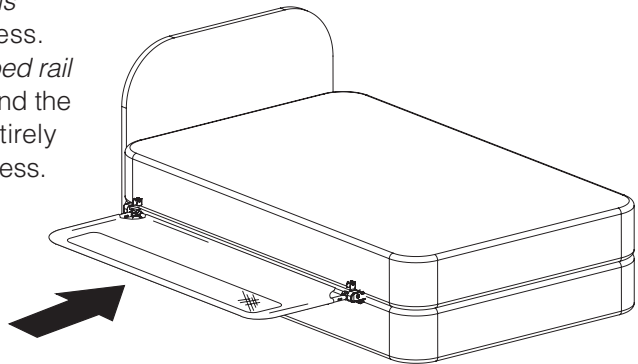


**NOTE:** Be sure to continue to hold the upper part of the *bed rail* so that it does not drop down on its own.

## STEP 3

Slide the *bed rail mesh wall* along the *guide rails* hidden under the mattress. Continue pushing the *bed rail* between the mattress and the box spring until it is entirely hidden by the top mattress.

Reverse STEPS 1 – 3 to return the *bed rail* to its upright position.



**NOTE:** Be sure to continue to hold the upper part of the *bed rail* so that it does not drop down on its own.

## **CARE AND MAINTENANCE**

Periodically check the *bed rail* for signs of damage, wear or for missing components. Do not use if any part is missing, worn or damaged. Check the *bed rail* regularly to make sure all hardware and mountings are tight and secure. Do not use abrasive cleaners or bleach when cleaning. Proper cleaning of *bed rail* can be done by sponging it with warm water and mild detergent.

## **90 DAYS LIMITED WARRANTY**

If, during the first 90 days after consumer purchase of the item, under reasonable and non-commercial use and conditions of maintenance, it fails while owned by the original purchaser because of the quality of materials or workmanship of finish and assembly, Regalo International, LLC, will replace or repair it at Regalo's option. PROOF OF PURCHASE REQUIRED.