



# **KING KOOKER**

**OUTDOOR COOKERS**



## **CAST COOKER WITH TIMER ASSEMBLY INSTRUCTIONS AND USE AND CARE MANUAL**

**MODEL/SERIAL # \_\_\_\_\_**

**THE INSTRUCTION MANUAL CONTAINS IMPORTANT INFORMATION NECESSARY FOR THE PROPER ASSEMBLY AND SAFE USE OF THE APPLIANCE. READ AND FOLLOW ALL WARNINGS AND INSTRUCTIONS BEFORE ASSEMBLING AND USING THE APPLIANCE. FOLLOW ALL WARNINGS AND INSTRUCTIONS WHEN USING THE APPLIANCE. KEEP THIS MANUAL FOR FUTURE REFERENCE.**

### ***METAL FUSION, INC.***

712 St. George Avenue.  
Jefferson, LA 70121

If you have any problems or questions

**Call Us Toll Free at**

1-800-783-3885

7:30 AM to 3:30 P.M. CST • Monday through Friday

**(504) 736-0201**

[www.kingkooker.com](http://www.kingkooker.com)

**▲WARNING**

**FAILURE TO FOLLOW THESE INSTRUCTIONS AND WARNINGS COULD RESULT IN FIRE, EXPLOSION, BURN HAZARD OR CARBON MONOXIDE POISONING WHICH COULD CAUSE PROPERTY DAMAGE, PERSONAL INJURY OR DEATH.**

 **DANGER**

If you smell gas:

1. Shut off gas to the appliance.
2. Extinguish any open flame.
3. If odor continues, keep away from the appliance and immediately call your Fire Department.

**FAILURE TO FOLLOW THESE INSTRUCTIONS COULD RESULT IN FIRE OR EXPLOSION WHICH COULD CAUSE PROPERTY DAMAGE, PERSONAL INJURY OR DEATH.**

 **DANGER**

1. Never operate this appliance unattended.
2. Never operate this appliance within 10 feet (3.05m) of any structure, combustible material or other gas cylinder. Do not locate this appliance under ANY overhead construction.
3. Only use propane burning units outdoors. Risks include fire and carbon monoxide fumes. Lack of ventilation can cause injury or death.
4. Never operate this appliance within 25 feet (7.5 m) of any flammable liquids or vapors.
5. Do not fill cooking vessel beyond maximum fill line.
6. When cooking with oil/grease, always use the thermometer provided and never allow the oil/grease to get hotter than 350°F (177°C). If the temperature exceeds 350°F (177°C) or if oil begins to smoke, immediately turn the burner or gas supply OFF.
7. Heated liquids and equipment remain at scalding temperatures long after the cooking process. Never touch cooking appliance until liquids have cooled to 100°F (38°C) or less.
8. If a fire should occur, keep away from the appliance and immediately call your Fire Department. Do not attempt to extinguish an oil/grease fire with water. When cooking, have a Type BC or ABC fire extinguisher readily available. A Type BC or ABC fire extinguisher may, in some circumstances, contain the fire.

**FAILURE TO FOLLOW THESE INSTRUCTIONS AND WARNINGS COULD RESULT IN FIRE, EXPLOSION, BURN HAZARD OR CARBON MONOXIDE POISONING WHICH COULD CAUSE PROPERTY DAMAGE, PERSONAL INJURY OR DEATH.**

# **WARNING**

## **READ AND UNDERSTAND BEFORE USING THIS PRODUCT**

Throughout this manual the words appliance, cooker, fryer/boiler, burner and stove will be used interchangeably to refer to the King Kooker® Outdoor Cooker.

- 1) This is an **ATTENDED** appliance. The timer located on the hose/regulator is **NOT** a replacement for proper monitoring. Do **NOT** leave this appliance unattended while the burner is lit or while heating oil, grease, water, or cooking food. Monitor the appliance when hot after use [oil, grease or water above 100°F (38°C)]. Heated liquid and equipment can remain at scalding temperatures long after cooking has ended.
- 2) Keep children, pets and unauthorized persons away from the appliance at all times.
- 3) The use of alcohol, prescription or non-prescription drugs may impair your ability to properly assemble or safely operate this appliance. Do **NOT** assemble or operate this appliance if using alcohol, prescription or non-prescription drugs.
- 4) This appliance is for **OUTDOOR** use only. Do **NOT** use in a building, garage, tent or any other enclosed area. Do **NOT** use in or on a recreational vehicle or boat. **NEVER** use this appliance as a heater.
- 5) Do not locate this appliance under **ANY** overhead construction. Keep a minimum clearance of 10ft. (3.05m) from the sides, front and back of the appliance to **ANY** construction. Keep the area clear of any combustible material. Do not use on or under any apartment or condo balcony or deck.
- 6) When cooking, the fryer/boiler must be on a level, stable, noncombustible surface such as brick, concrete or dirt. Not suitable are surfaces such as wood, asphalt or plastic which may burn, blister or melt.
- 7) Check all cooker fittings for leaks before each use. Keep the fuel supply hose away from any heated surfaces. Only the LP hose/regulator and timer assembly specified by Metal Fusion, Inc. should be used with this appliance.
- 8) When cooking with oil or grease, the thermometer provided **MUST** be used. Follow instructions in this manual for proper installation and use of thermometer. If the thermometer supplied with the fryer/boiler has been lost or damaged, a replacement thermometer specified by Metal Fusion, Inc. shall be obtained before using the appliance.
- 9) If the temperature of cooking oil exceeds 350°F (177°C) or if oil begins to smoke, immediately turn the burner or gas supply **OFF** and wait for the temperature to decrease to less than 350°F (177°C) before relighting burner according to the instructions in this manual.
- 10) When cooking with oil/grease, have a Type BC or ABC fire extinguisher readily available. In the event of an oil/grease fire, do not attempt to extinguish with water. Immediately call the Fire Department. A Type BC or ABC fire extinguisher may, in some circumstances, contain the fire.
- 11) **NEVER** overfill the cooking pot with oil, grease or water. Follow instructions in this manual for establishing proper oil, grease or water levels.

- 12) Introduction of water or ice from any source into the oil/grease may cause overflow and severe burns from hot oil and water splatter. When frying with oil/grease, all food products **MUST** be completely thawed and towel dried before being immersed in the fryer.
- 13) Never drop food or accessories into hot cooking liquid. Lower food and accessories slowly into the cooking liquid in order to prevent splashing or overflow. When removing food from the appliance, care shall be taken to avoid burns from hot cooking liquids.
- 14) This appliance and pot, including handles and lids, gets dangerously hot in use. Use well-insulated pot holders or oven mitts for protection from hot surfaces or splatter from cooking liquids. Safety goggles are also recommended to protect you from oil splatter. The oil remains dangerously hot hours after use.
- 15) Do **NOT** place an empty cooking vessel on the appliance while in operation. Use caution when placing anything in the cooking vessel while the appliance is in operation. Never use a cooking vessel larger than the capacity and diameter specified in this manual.
- 16) In the event of rain, snow, hail, sleet or other forms of precipitation while cooking with oil/grease, cover the cooking vessel immediately and turn off the appliance burners and gas supply. Do not attempt to move the appliance or cooking vessel.
- 17) Do **NOT** move the appliance when in use. Allow the cooking vessel to cool to 100°F (38°C) before moving or storing.
- 18) Avoid bumping of or impact with the appliance to prevent contact with hot appliance, spillage or splashing of hot cooking liquid.
- 19) See Use and Care section for LP Gas Cylinder Information. A 20 pound (9 kg) cylinder should be used with this cooker. The LP-gas supply cylinder used must have a protective collar and must be constructed and marked in accordance with the specifications for LP-gas cylinders of the U. S. Department of Transportation (DOT) or the National Standard of Canada, *CAN/CSA-B339, Cylinders, Spheres and Tubes for the Transportation of Dangerous Goods*. Do not store a spare LP-gas cylinder under or near this appliance. Never fill the cylinder beyond 80% full. For proper vapor withdrawal, the 20 lb. (9 kg) cylinder should be used in the proper upright position. Cylinder must be turned off while not in use. Failure to follow these instructions and warnings could result in fire or explosion which could cause property damage, personal injury or death.
- 20) This appliance is not intended for commercial use.
- 21) Use King Kooker® appliances only in accordance with state and local ordinances, or in the absence of local codes, with the National Fuel Gas Code, *ANSI Z223.1/NFPA 54, Storage and Handling of Liquefied Petroleum Gases*, *ANSI/NFPA 58* or *CSA B149.1, Natural Gas and Propane Installation Code*.

## **▲WARNING**

**FAILURE TO FOLLOW THESE INSTRUCTIONS AND WARNINGS COULD RESULT IN FIRE, EXPLOSION, BURN HAZARD OR CARBON MONOXIDE POISONING WHICH COULD CAUSE PROPERTY DAMAGE, PERSONAL INJURY OR DEATH.**

**READ AND UNDERSTAND ALL INSTRUCTIONS BEFORE  
USING YOUR KING KOOKER® PRODUCT**

**TABLE OF CONTENTS**

<b>Warnings</b> .....	2-4
<b>Table of Contents</b> .....	5
<b>Warranty</b> .....	6
<b>Owners Registration</b> .....	7-8
<b>Introduction</b> .....	9
Battery Installation .....	10
Battery Warning and Cautions .....	10
<b>Section I - King Kooker® Outdoor Cooker Assembly</b> .....	11
Outdoor Cooker Assembly Instructions .....	11-12
Assembly Instructions for Bolt Together Cooker .....	13
Assembly Instructions for Bolt Together Work Table - Model #T30CABKD and TSS30CABKD .....	13
Fry Basket Handle Assembly .....	14
Model #2866 and #2966 Fry Basket Assembly Instructions .....	14
Model #2054, #2064 and #2864 Outdoor Chef's Hot Tub® Pot and Accessories Assembly Instructions .....	15-17
Model #2064 Bolt Together Assembly Instructions .....	18
Model#2835 and #2836 Pot and Accessories Assembly Instructions .....	19-20
<b>Section II - Use and Care of King Kooker® Outdoor Cookers and Accessories</b> .....	21
Thermometer Instructions and Safety Precautions for Deep Frying with Outdoor Cookers .....	21
Determining Proper Fill Levels for Cooking Vessels .....	22
LP Gas Cylinder Information .....	22
Connection Instructions .....	23
Leak Test Instructions .....	23
Placement Instructions .....	23
Lighting and Operating Instructions .....	24-25
Turning Off and Storing the Cooker after Use .....	26
Maintenance Of Outdoor Cookers And Accessories .....	26-27
Caring For Aluminum and Cast Iron Cookware .....	27
Information Regarding Cooking Oil .....	27
<b>Section III - Cooking Specialties</b> .....	28
Deep Fried Turkey Instructions .....	29
Injecting Techniques .....	30
Model# 2054, #2064 and #2864 Outdoor Chef's Hot Tub® Operation Instructions .....	31-33
Operation of Spigot Pot .....	33
Model #2835 and #2836 Operation Instructions .....	34-35
Use of King Kooker® Drain Rack Model # KK168 .....	36
<b>Section IV - Recipes</b> .....	37
Boiled Seafood .....	37
King Kooker® Beans .....	37
King Kooker® Jambalaya .....	38
Fried Seafood .....	38
Deep Fried Turkey .....	38
Deep Fried Chickens .....	38
Deep Fried Turkey Breast .....	39
Southern Fried Chicken .....	39
Fried Onion Rings .....	39
Fried Mushrooms .....	39
Deep Fried Boston Butt .....	40
King Kooker® Wings .....	40
Steamed Clams and Mussels .....	40
Steamed Crab, Shrimp, and Lobster .....	40
<b>Section V - Frequently Asked Questions</b> .....	41

# METAL FUSION, INC.

## LIMITED ONE-YEAR WARRANTY

### WHAT THIS WARRANTY COVERS

This warranty covers all components of this outdoor cooker to be free from defects in materials and workmanship, with the exceptions stated below.

### HOW LONG COVERAGE LASTS

This warranty runs for one year from the date of purchase. Please keep your receipt with this manual for future reference.

### WHAT IS NOT COVERED

This warranty does not cover the following:

***Incidental and Consequential Damages.*** This warranty does **not** cover incidental and consequential damages arising in any way out of the use of this outdoor cooker. The liability of Metal Fusion, Inc. is, in any event, limited to the amount of the original purchase price of this outdoor cooker, and remains in force only as long as the product remains in its original, as-built configuration. Some states do not allow the exclusion or limitation of incidental or consequential damages, so the above limitation or exclusion may not apply to you.

***Neglectful Operation.*** This warranty does **not** cover any loss or damage arising in any way due to the negligent operation of this outdoor cooker.

***Altered, Repaired or Misused Equipment.*** This warranty does **not** cover any loss or damage arising in any way out of the use of this outdoor cooker when it has been altered, repaired by persons other than Metal Fusion, Inc., or when it has been abused or misused, or when it has been used other than in accordance with the manufacturer's operating instructions, including, without limitation, any damage to the consumer's pots because they were placed on a lit cooker while the pot is empty.

***Other Assumed Responsibilities.*** Unless otherwise provided by law, this warranty does **not** cover any responsibility or liability arising in any way out of the use of this product where that responsibility or liability was purportedly assumed by any other person or agent.

***Paint, Discoloration, Rust and Corrosion.*** This warranty does **not** cover the paint on the outdoor cooker, as in a normal use of the outdoor cooker, the paint will be burned off. Nor does this warranty cover discoloration, rust or corrosion to the cooker or LP hose/ regulator with timer assembly as these occurrences are part of the cooker's normal wear and tear.

### WHAT METAL FUSION, INC. WILL DO

Metal Fusion, Inc. will repair or replace any outdoor cooker that proves to be defective in materials or workmanship. In the event repair is not possible or economically feasible, Metal Fusion, Inc. will replace your outdoor cooker with an identical or substantially equivalent outdoor cooker. Metal Fusion, Inc. will perform this service at no charge to you, except for the actual cost of shipping and handling the outdoor cooker or replacement parts.

### HOW TO GET SERVICE

In the event you have a problem or malfunction with your outdoor cooker, simply call Metal Fusion, Inc. at (800) 783-3885.

### HOW STATE LAW APPLIES

This warranty gives you specific rights, and you may have other rights which vary from state to state.

# OWNER'S REGISTRATION



Dear Customer,

Thank you for purchasing a King Kooker®! Please take a moment to fill out your registration form and return it to us. We are always happy to hear suggestions and comments from our customers about our products. Completion of this registration allows us to contact you if the need arises. Please keep your receipt with your instruction manual. It will be necessary as a proof of purchase for us to help you if there is a problem with your cooker.

Name: \_\_\_\_\_

E-Mail: \_\_\_\_\_

Address: \_\_\_\_\_

\_\_\_\_\_

\_\_\_\_\_

Telephone: \_\_\_\_\_

Model# \_\_\_\_\_

Date of Purchase \_\_\_\_\_

Place of Purchase \_\_\_\_\_

Price Paid \_\_\_\_\_

Was this a gift \_\_\_\_\_ or did you \_\_\_\_\_ purchase it yourself?

\_\_\_\_\_

\_\_\_\_\_

Comments: \_\_\_\_\_

\_\_\_\_\_

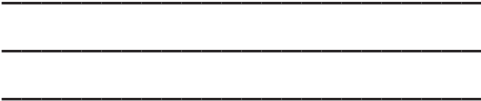
\_\_\_\_\_

A SATISFIED CUSTOMER IS OUR MAIN GOAL. If you have any questions or problems, please call us at 1-800-783-3885 before returning the product to the point of purchase. Please have your receipt available when calling.

**THANK YOU,  
ENJOY YOUR COOKING EXPERIENCE.**

TAPE HERE

FOLD



Place  
Stamp  
Here

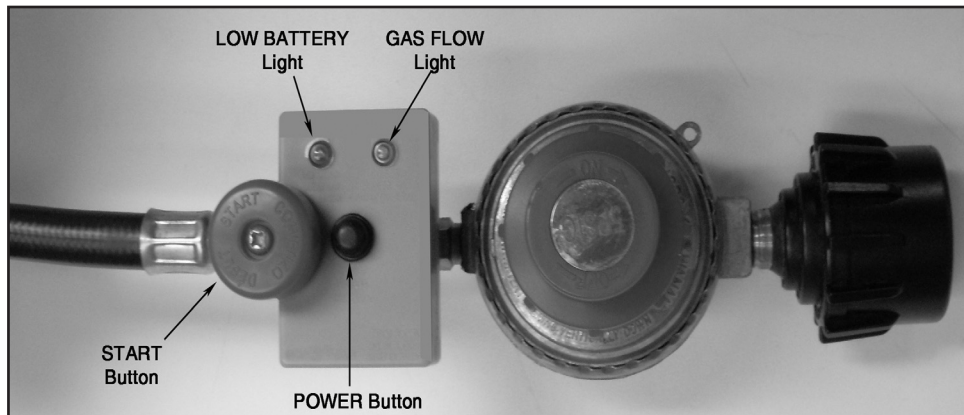
**METAL FUSION, INC.**  
712 St. George Avenue  
Jefferson, LA 70121

FOLD



# READ AND UNDERSTAND ALL INSTRUCTIONS BEFORE USING YOUR KING KOOKER® PRODUCT

## INTRODUCTION



Your new King Kooker® Outdoor Cooker is equipped with a timer located on the hose/regulator (see above picture). The timer is designed to shut-off the flow of gas after a pre-set time period (approximately a 15 minute operational cycle) unless manually reset by the user. This timer and the supplied thermometer are not a substitute for attending a cooker. This timer/hose/regulator assembly should ONLY be used on this King Kooker® Outdoor Cooker with the pot provided containing oil or water in accordance with the instructions in this manual. Follow all instructions and warnings contained in this manual for proper assembly and use of this product.

**IMPORTANT: The timer is NOT a replacement for proper monitoring and will not measure or control the temperature of the cooking liquid within the pot. Your cooker must always be attended while in use and monitored after use while still hot [100°F (38°C)]. The oil in the pot can overheat quickly if left unattended. The thermometer supplied with this appliance must always be used to monitor the temperature of the cooking liquid.**

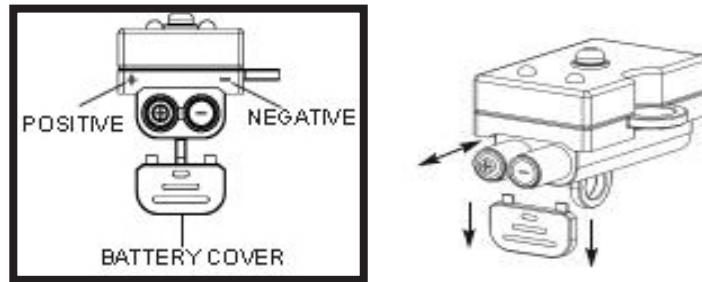
### **▲WARNING**

**FAILURE TO FOLLOW THESE INSTRUCTIONS AND WARNINGS COULD RESULT IN FIRE, EXPLOSION, BURN HAZARD OR CARBON MONOXIDE POISONING WHICH COULD CAUSE PROPERTY DAMAGE, PERSONAL INJURY OR DEATH.**

# **BATTERY INSTALLATION**

**The timer requires two “AAA” alkaline batteries (not included) for operation. Follow the below instructions for proper installation.**

1. Always disconnect regulator from the propane tank before installing or removing batteries.
2. Locate battery cover on timer. Press and slide battery cover off as shown.
3. Install two “AAA” alkaline batteries. Match positive (+) and negative (-) symbols located on the case and batteries to insure proper installation.
4. Replace the battery cover.
5. If the red “Low Battery” light becomes lit during use the batteries need to be replaced. Repeat the above steps to remove and replace batteries.



## **BATTERY WARNINGS AND CAUTIONS**

1. Always read and follow the battery manufacturer’s instructions.
2. Keep batteries away from small children. If battery is swallowed consult a physician immediately.
3. Do not dispose of batteries in a fire. Dispose of batteries safely, following guidelines for your area.
4. Install batteries correctly according to the “Battery Installation” directions above. Improperly installed batteries may result in leaks and/or possible explosion.
5. Remove batteries from product after each use.

**NOTE:** Batteries which are not removed from this device will eventually corrode and leak and may cause the timer to malfunction. If the batteries were not removed and/or if the unit has been stored outdoors, test the timer for proper operation. Follow instruction number 4 on page 24 of this manual, **with the cylinder valve closed.** The green light (steady for 10 minutes and blinking for a further 5 minutes) will then go off showing that the timer is operating properly and you may proceed to use the cooker in accordance to the warnings and instructions in this manual.

**▲WARNING**

**FAILURE TO FOLLOW THESE INSTRUCTIONS AND WARNINGS COULD RESULT IN FIRE, EXPLOSION, BURN HAZARD OR CARBON MONOXIDE POISONING WHICH COULD CAUSE PROPERTY DAMAGE, PERSONAL INJURY OR DEATH.**

# SECTION I

## OUTDOOR COOKER ASSEMBLY

### **⚠ WARNING**

**THE USE AND CARE MANUAL MUST BE READ AND UNDERSTOOD BEFORE USING THE APPLIANCE**

Throughout this manual the words appliance, cooker, fryer/boiler, burner and stove will be used interchangeably to refer to the King Kooker® Outdoor Cooker.

### **TOOLS REQUIRED:**

**TORQUE WRENCH or ADJUSTABLE WRENCH, LEAK TESTING SOLUTION**

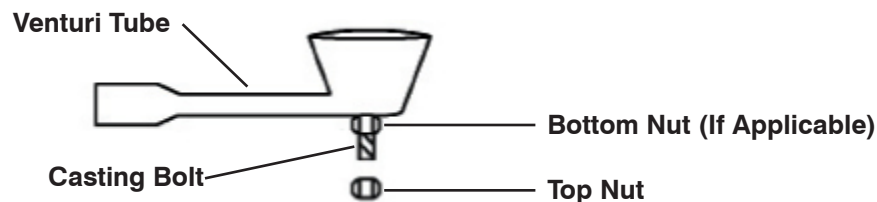
1. Before assembling, check that all cooker components are included in the shipping carton. Identify these cooker parts from the assembly drawing. Accessories such as pots may vary according to model. Check the list of accessories on your cooker box. The following parts are considered essential and should be included in your package regardless of model number.

#### **Required Parts List:**

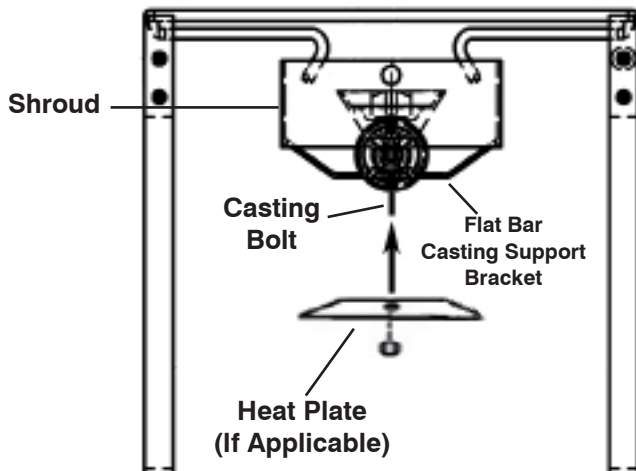
**Cooker Stand, Cast Burner, LP Hose and Regulator with Timer, Thermometer**

If any of the above parts are missing, contact Metal Fusion, Inc. at 1-800-783-3885 between the hours of 7:30 a.m. and 3:30 p.m. CST Monday through Friday for replacements.

2. Read assembly instructions, and understand sequence of assembly, before commencing to assemble your cooker.
3. If your casting(s) is not pre-installed follow the below **CASTING INSTALLATION** directions.
  - A) Remove top nut from casting bolt. Leave bottom nut attached and tightened (if applicable.)
  - B) Place the casting bolt through the hole on the flat bar casting support bracket as pictured below. The venturi tube of the burner should be located underneath the windshroud. For cookers supplied with a heat plate, place the heat plate onto the casting bolt beneath the flat bar casting support bracket.
  - C) Reinstall nut to casting bolt. Tighten. Check to see if casting is pointing straight up and is sturdy.

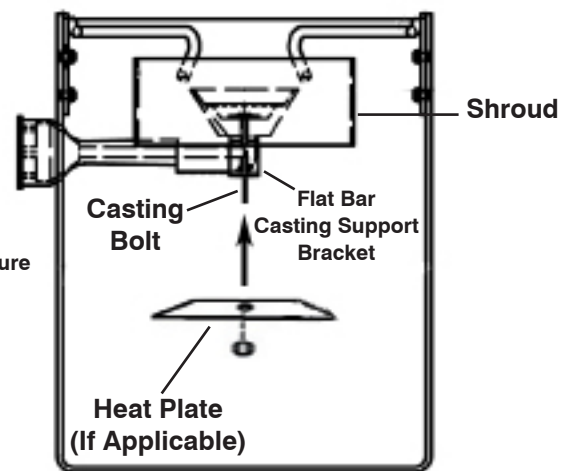


**FRONT VIEW**



\* Model May Vary From Picture

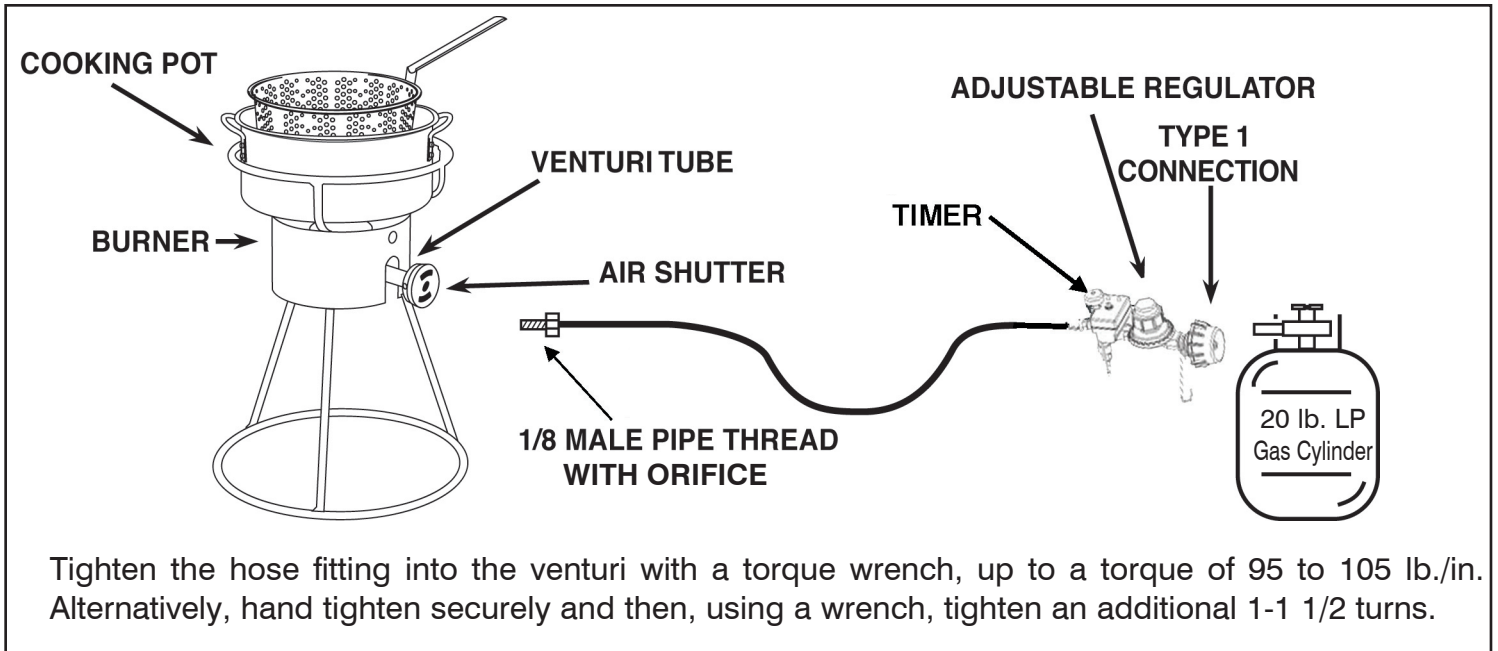
**SIDE VIEW**



4. NOTE: The hose to burner connection will be one of the following:  
 Figure 1) Hose with male fitting and adjustable regulator.  
 Figure 2) Hose with female fitting and adjustable regulator.

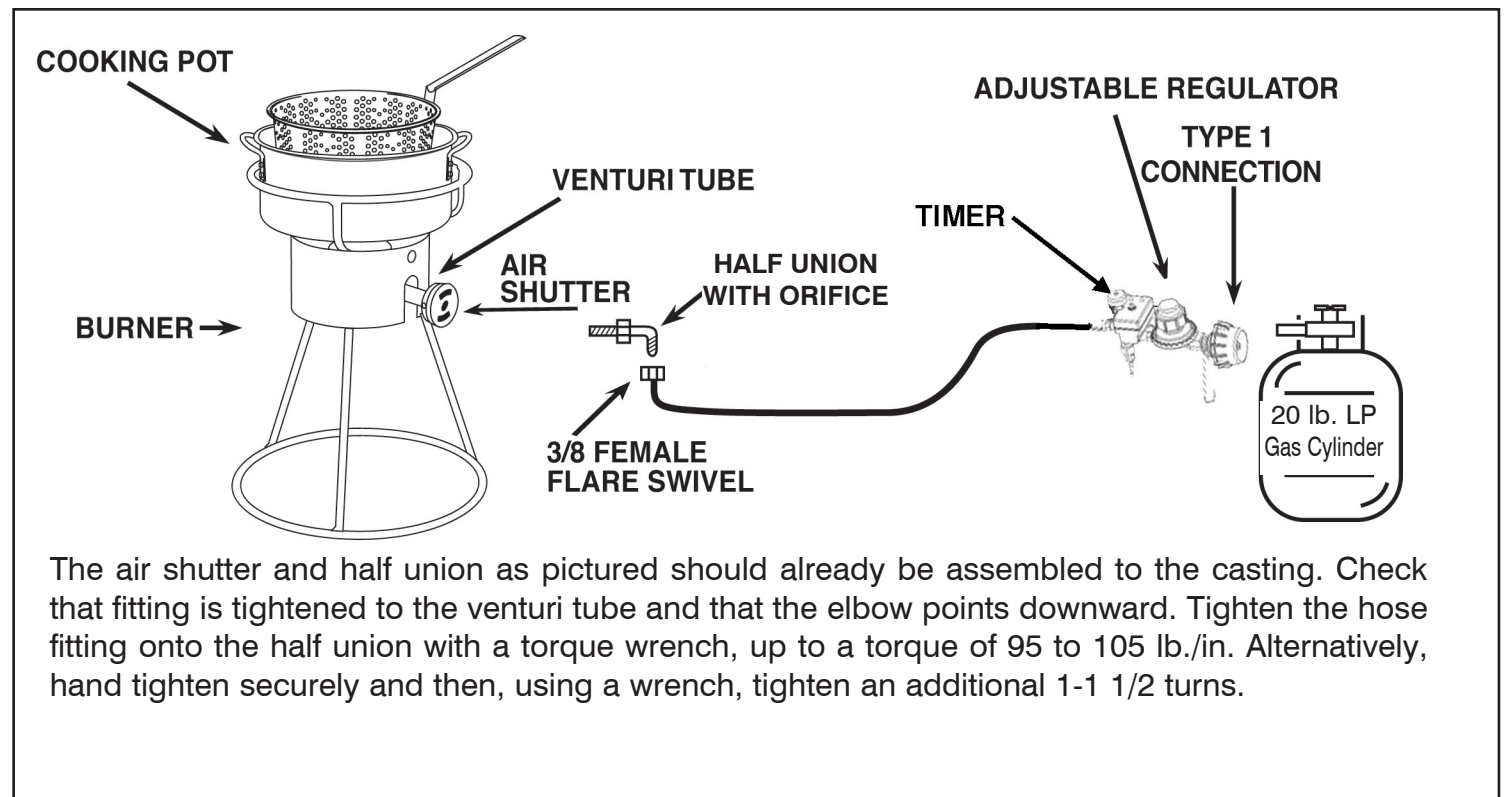
Refer to the appropriate diagram below for hose connection instructions:

### Figure 1 HOSE WITH MALE FITTING AND ADJUSTABLE REGULATOR AND TIMER.



Tighten the hose fitting into the venturi with a torque wrench, up to a torque of 95 to 105 lb./in. Alternatively, hand tighten securely and then, using a wrench, tighten an additional 1-1 1/2 turns.

### Figure 2 HOSE WITH FEMALE FITTING AND ADJUSTABLE REGULATOR AND TIMER.



The air shutter and half union as pictured should already be assembled to the casting. Check that fitting is tightened to the venturi tube and that the elbow points downward. Tighten the hose fitting onto the half union with a torque wrench, up to a torque of 95 to 105 lb./in. Alternatively, hand tighten securely and then, using a wrench, tighten an additional 1-1 1/2 turns.

5. Go to the **Use and Care** section for further instructions.

**NOTE: If your cooker has attachable legs or work table, or requires additional construction, follow the assembly instructions for these before proceeding to the Use and Care Section.**

# ASSEMBLY INSTRUCTIONS FOR BOLT TOGETHER COOKER

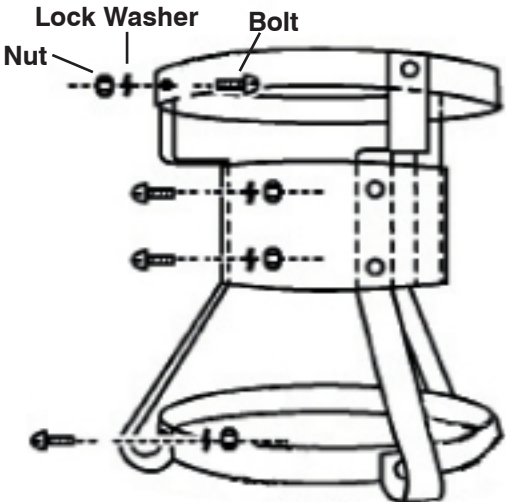
<u>CONTENTS</u>
(2) Rings
(3) Legs
(1) Shroud
(1) Casting/Air Shutter
(1) Hose/Regulator with Timer
(1) Heat Plate
(12) Bolts, Lockwashers and Nuts

<u>TOOLS NEEDED</u>
Adjustable Wrench
Screwdriver

- 1) Assemble bolts, washers and nuts as per diagram.
- 2) Wrench tighten. Make sure all bolt sets are used and unit stands sturdily.
- 3) Go to pg. 11 for casting installation instructions.

\* Model May Vary From Picture



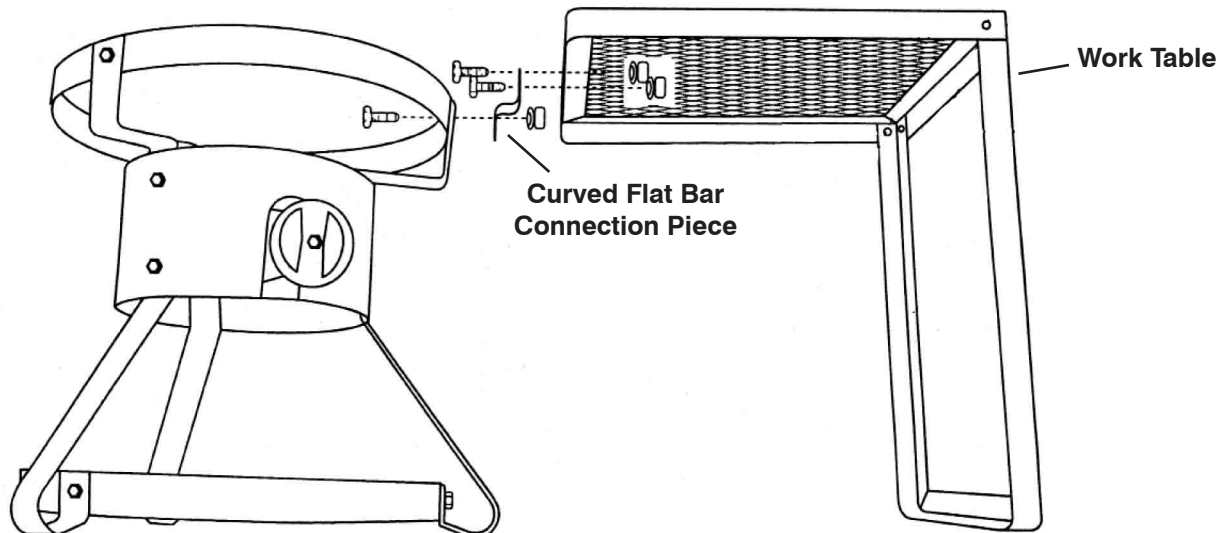
**1** Legs bolt to outside of top and bottom rings (6 bolts, lockwashers and nuts)

**2** Legs bolt to inside of shroud (6 bolts, nuts, and lockwashers)

## ASSEMBLY INSTRUCTIONS FOR BOLT TOGETHER WORK TABLE - MODEL # T30CABKD AND TSS30CABKD

<u>CONTENTS</u>
(1) Work Table
(1) Curved Flat Bar Connection Piece
(2) Bolts, Lockwashers and Nuts

<u>TOOLS NEEDED</u>
Adjustable Wrench
Screwdriver



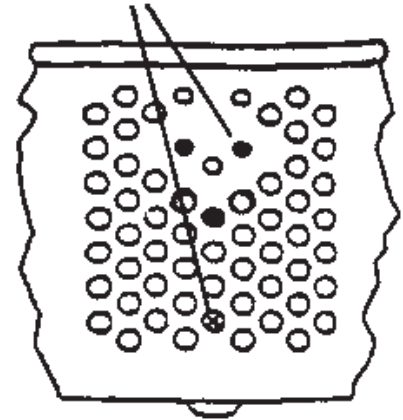
- 1) Assemble the two bolts, nuts, and washers in table top/curved flat bar connection piece, wrench tighten.
- 2) Assemble the work table to the cooker with the bolt, nut, and washer from one of the top ring/leg connections through the curved flat bar connection piece and wrench tighten (see above picture.)

## FRY BASKET HANDLE ASSEMBLY

*Required Tools: Adjustable Wrench and Screwdriver*

1. Attach handle by inserting bolts (round head to inside of pan) into holes indicated in black. Also insert bolt (round head to inside of pan) into hole indicated with an "X". Apply nuts and tighten. (This bolt helps hold the basket away from pot when hooking it on the side of the pot to drain oil from food.)
2. Some models of baskets have a 4 bolt "square" design for assembly. Attach handle by inserting bolts through supplied holes on basket and handle (round head of bolt to inside of pan). Apply nuts and tighten.

Insert Bolts in marks as instructed



\* Model may vary from picture.

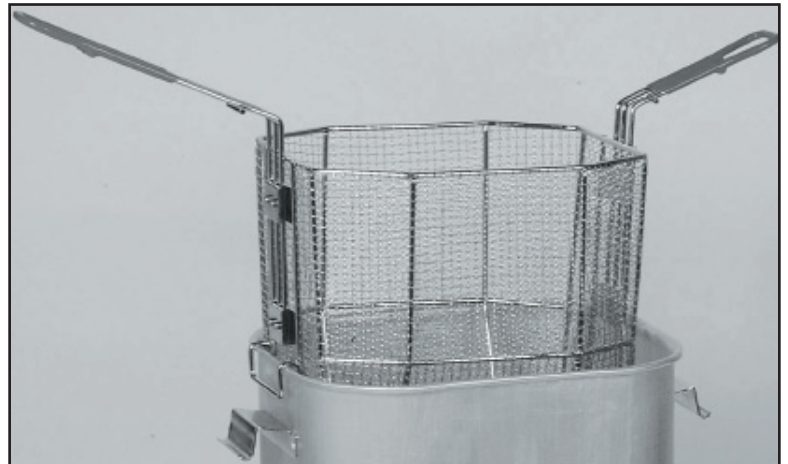
---

## MODEL # 2866 & 2966 FRY BASKET ASSEMBLY INSTRUCTIONS

**TOOLS REQUIRED:** Screwdriver

**Parts List:**

- Fry Basket with Mounting Plates (1)
- Long Handle (1)
- Short Handle (1)
- Bolts (8)



**Assembly:**

- 1) Locate side of basket with attached clip for attaching basket to side of pot. Locate the "long" handle. Align the four holes on the handle to four holes on the mounting plate of basket. Attach using four bolts.
- 2) Locate "short" handle. On opposite side of basket from "long" handle, attach "short" handle to basket using same method as above.
- 3) Go to the **Use and Care** section of this manual for further instructions.

# MODEL# 2054, 2064, & 2864 OUTDOOR CHEF'S HOT TUB® POT AND ACCESSORIES ASSEMBLY INSTRUCTIONS

**READ AND UNDERSTAND ALL WARNINGS AND INSTRUCTIONS BEFORE USING THIS PRODUCT!**

## OVERVIEW:

- I. Parts List
- II. Placement of Thermometer
- III. Assembly of Rack
- IV. Assembly of Baskets

## I. PARTS LIST

- |  |                           |                |
|--|---------------------------|----------------|
| (1) Cooker Frame   | (1) Rack                  | (2) Baskets    |
| (1) Casting/Air Shutter  | (4) Skewers               | (2) Handles    |
| (1) Hose and Regulator with Timer                                      | (1) Turkey Stabilizer "V" | (6) Bolts/Nuts |
| (1) Deep Fry Thermometer   | (1) Steamer Plate         |                |
| (1) Aluminum Pot With Lid<br>(See Page 33 for Operation of Spigot Pot) | (1) Two Handed Lifter     |                |

## II. PLACEMENT OF THERMOMETER

1. **Always** use a deep fry thermometer when cooking with an outdoor cooker. Refer to **Thermometer Instructions and Safety Precautions for Deep Frying with Outdoor Cookers** on pg. 21 before operating the cooking appliance or using the thermometer.
2. Place the thermometer provided with the appliance into the clip on the inside of the pot. Make sure the probe is immersed in the cooking liquid when the appliance is in operation. Refer to below diagram for proper thermometer placement.

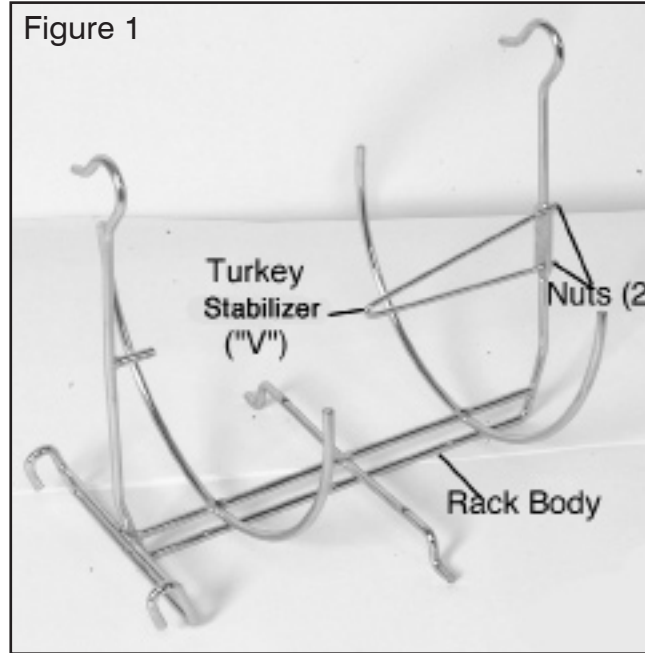


### III. ASSEMBLY OF RACK

The rack supplied with this appliance provides you with a wide array of cooking options. Please read and understand the following instructions for correct assembly of rack and accessories.

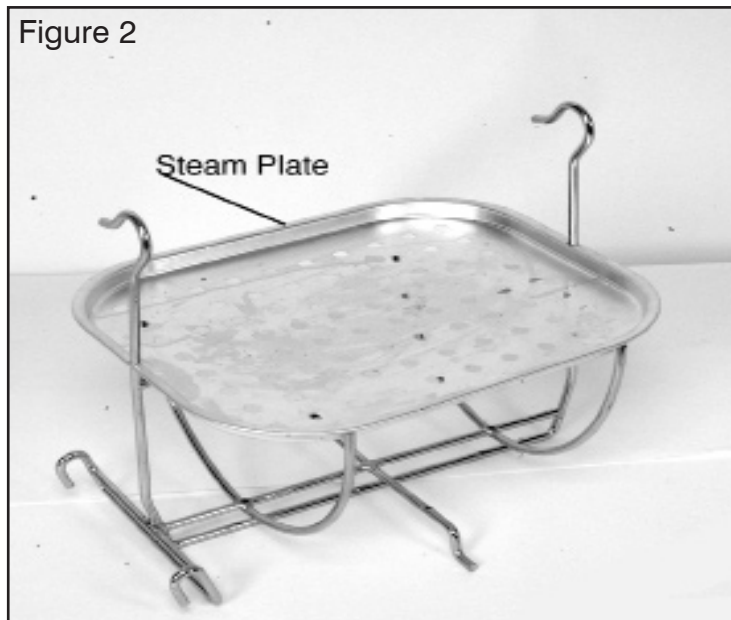
#### A. Assembly of Rack for Turkey Frying:

1. Remove nuts from threaded ends of Turkey Stabilizer ("V").
2. Insert threaded ends of Turkey Stabilizer ("V") through holes in back of rack as per **Figure 1** below.
3. Apply nuts and tighten.



#### B. Assembly of Rack with Steam Plate

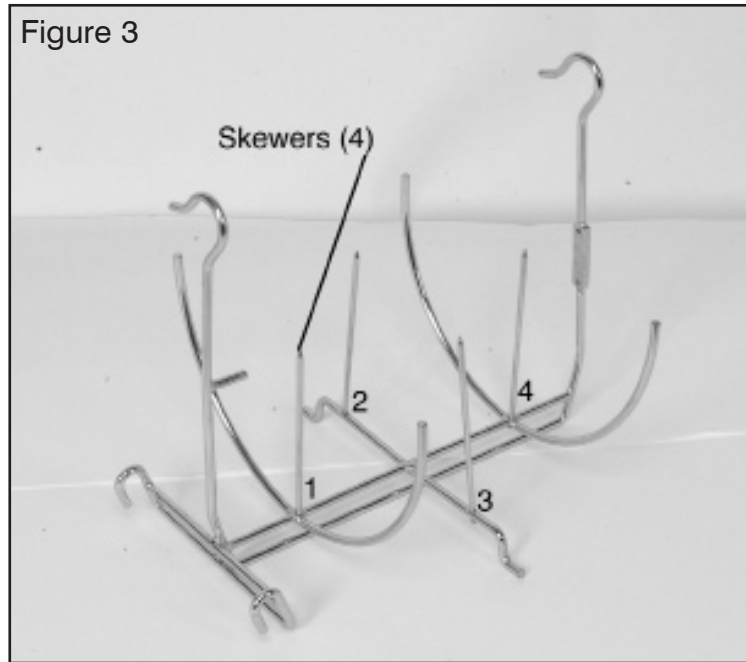
1. Remove nuts from threaded ends of Turkey Stabilizer ("V").
2. Insert threaded ends of Turkey Stabilizer ("V") through holes in back of rack as per **Figure 1** above.
3. Apply nuts and tighten.
4. Place steam plate on rack as per **Figure 2** below. The prong and Turkey Stabilizer ("V") provide support for the steam plate.





### C. Assembly of Rack with Skewers

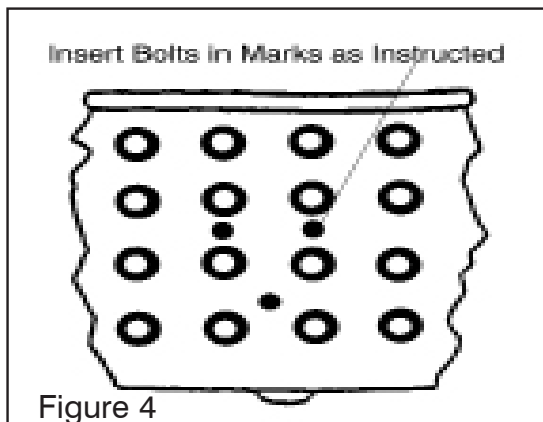
1. The rack can be configured to fry up to four whole chickens at once or any kind of poultry/meat using the skewer accessories.
2. Hand screw threaded ends of skewers into mounting holes along base of rack body as per **Figure 3** below. Skewers have pointed ends. Use caution during assembly and use.



### IV. Assembly of Baskets

Required Tools: Adjustable Wrench and Screwdriver

1. Attach handles to baskets by inserting bolts (round head to inside of pan) into holes indicated in black. Apply nuts and tighten. See **Figure 4** and **Figure 5** below.



# MODEL# 2064 BOLT TOGETHER ASSEMBLY INSTRUCTIONS

**READ AND UNDERSTAND ALL WARNINGS AND INSTRUCTIONS BEFORE USING THIS PRODUCT!**

## PARTS LIST:

- (1) Top Frame with Attached Wind Shroud
- (1) Bottom Frame
- (4) Legs
- (8) Lock Washer
- (8) Nuts
- (8) Philips Head Bolts
- (1) Casting/Air Shutter
- (1) Hose and Regulator with Timer
- (1) Deep Fry Thermometer
- (1) 32qt. Aluminum Pot with Lid

(See Page 33 for Operation of Spigot Pot)

- (1) Rack
- (4) Skewers
- (1) Turkey Stabilizer "V"
- (1) Steamer Plate
- (1) Two Handed Lifter
- (2) Baskets/Handles
- (6) Bolt/Nuts for Baskets/Handles



Legs Bolt To Each Corner of Top and Bottom Frame.

- 1) Legs bolt to the outside of both the top and bottom frames.
- 2) Wrench tighten. Make sure all bolt sets are used (8) and unit stands sturdily.
- 3) Reference pages 15-17 for instructions concerning the assembly of accessories included in your package.

# MODEL# 2835 AND 2836

## POT AND ACCESSORIES ASSEMBLY INSTRUCTIONS

**READ AND UNDERSTAND ALL WARNINGS AND INSTRUCTIONS BEFORE USING THIS PRODUCT!**

### OVERVIEW:

- I. Parts List
- II. Assembly of Basket
  - A. Assembly of Basket with Adjustable Lifting Hooks for Turkey Frying
  - B. Assembly of Basket for Steaming
  - C. Assembly of Basket with Long Handle (Model #2836 only)

## I. Parts List

- |  |                              |
|--|------------------------------|
| (1) Cooker Frame   | (1) Two Handed Lifter        |
| (1) Casting/Air Shutter                                    | (1) Basket                   |
| (1) Hose and Regulator with Timer                          | (2) Adjustable Lifting Hooks |
| (1) Deep Fry Thermometer                                   | (8) Bolts                    |
| (1) Aluminum Pot with Lid                                  | (8) Wing Nuts                |
| (1) Heat Plate   | (1) Steamer Support          |
| (1) Long Handle with 3 Small Bolts/Nuts (Model #2836 only) |                              |

## II. Assembly of Basket

The basket supplied with this appliance provides you with a wide array of cooking options. Please read and understand the following instructions for correct assembly of basket and accessories.

### **A. Assembly of Basket with Adjustable Lifting Hooks for Turkey Frying**

1. Attach the two adjustable lifting hooks to each end of the basket by aligning the four “square” holes on each lifting hook to the **top** four “square” holes indicated with an “\*” in Figure 1 below. Place the hooks on the inside of the basket making sure both adjustable lifting hooks are installed facing the same direction for correct use with two handed lifter.
  2. Insert supplied bolts from the outside of basket so that they protrude into inside of basket. Tighten with supplied wing nuts. See below Figure 2 for picture of correct assembly.
- IMPORTANT:** The above steps must be followed correctly to provide clearance above the cooking liquid to properly and safely insert and remove the basket with the two handed lifter.

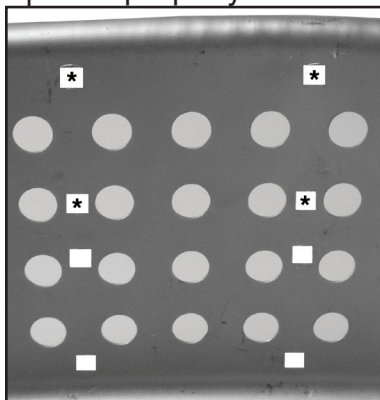


Figure 1



Figure 2

## B. Assembly of Basket for Steaming

1. Attach the two adjustable lifting hooks to each end of the basket by aligning the four “square” holes on each lifting hook to the **bottom** four “square” holes indicated with an “\*” in Figure 3 below. Place the hooks on the inside of the basket making sure both adjustable lifting hooks are installed facing the same direction for correct use with two handed lifter.
  2. Insert supplied bolts from the outside of basket so that they protrude into inside of the basket. Tighten with supplied wingnuts. See below Figure 4 for picture of correct assembly.
- IMPORTANT:** The above steps must be followed correctly to provide ample clearance for the lid to be installed for steaming.

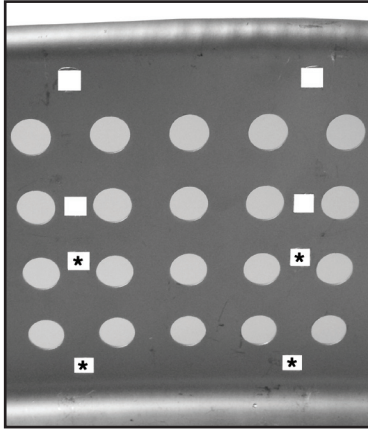


Figure 3



Figure 4

## C. Assembly of Basket with Long Handle (Model # 2836 only)

Required Tools: Adjustable Wrench and Screwdriver

The long handle can be used when cooking foods cut into small pieces such as fish filets, french fries and vegetables. When cooking turkey, chicken or any other heavier foods the two handed lifter and adjustable lifting hooks should be used (see Section A, pg. 19 for assembly instructions.)

1. Attach long handle to side of basket by inserting bolts (round head to inside of pan) into holes indicated in black. Apply nuts and tighten. See Figures 5 and 6 below.

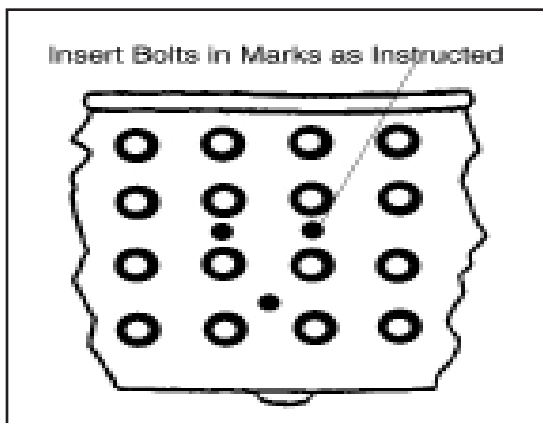


Figure 5



Figure 6

# SECTION II

## USE AND CARE

Throughout this manual the words appliance, cooker, fryer/boiler, burner and stove will be used interchangeably to refer to the King Kooker® Outdoor Cooker.

### **▲WARNING**

**READ AND UNDERSTAND BEFORE USING THIS APPLIANCE  
FAILURE TO FOLLOW THESE INSTRUCTIONS AND WARNINGS COULD RESULT IN FIRE,  
EXPLOSION, BURN HAZARD OR CARBON MONOXIDE POISONING WHICH COULD CAUSE  
PROPERTY DAMAGE, PERSONAL INJURY OR DEATH.**

### **THERMOMETER INSTRUCTIONS AND SAFETY PRECAUTIONS FOR DEEP FRYING WITH OUTDOOR COOKERS**

1. Always use a deep fry thermometer when using this appliance as a fryer/boiler.
  - a. Before each use of the appliance make sure that the thermometer is properly calibrated by placing the tip in a pot of boiling water. The thermometer should register within +/-20° of 212°F or +/-10° of 100°C. If the thermometer is miscalibrated, contact Metal Fusion, Inc. to obtain a replacement before using the appliance.
  - b. Hang the thermometer on the inside of the pot with the probe immersed in the cooking liquid. Never place a lid over a pot when monitoring the temperature of oil.
  - c. Once the fire has been lit monitor the temperature on the thermometer at all times. Water boils at 212°F(100°C). The temperature of hot oil should never be allowed to exceed 350°F(177°C).
- IMPORTANT:** Oil can ignite at high temperatures. Most King Kooker® thermometers have a Red Zone above 350°F(177°C) to signify Danger. Never allow the temperature to exceed 350°F(177°C). If the temperature goes above 350°F(177°C) immediately turn the burner and gas supply OFF and wait for the temperature to decrease to below 350°F(177°C) before relighting according to instructions in the manual. If at any point during the cooking process the oil begins to smoke, immediately turn the burner and gas supply OFF regardless of the reading on the thermometer. Allow time for the oil to cool, then contact Metal Fusion, Inc. for further instructions.
- d. When the cooking is complete and the cooker has been turned off, allow the temperature of the oil to fall below 100°F(38°C) before moving the pot, cooking oil, or cooker.
  - e. Please call Metal Fusion, Inc. at (800) 783-3885 with any questions concerning the use or operation of the thermometer.
2. Never cover the pot when cooking with oil.
3. Always thaw and dry food completely before placing it into hot oil. Frozen or wet food may cause oil or grease to overflow.
4. Never put an empty pot over an open flame.
5. In the event of rain, snow, hail, sleet or other forms of precipitation while cooking with oil/grease, cover the cooking vessel immediately and turn off the appliance burners and gas supply. Do not attempt to move the appliance or cooking vessel.
6. When cooking with oil or grease, fire extinguishing materials shall be readily accessible. In the event of an oil or grease fire do NOT attempt to extinguish with water. Immediately call your Fire Department. A Type BC or Type ABC fire extinguisher may, in some circumstances, contain the fire.

# DETERMINING PROPER FILL LEVELS FOR COOKING VESSELS

Your turkey cooker includes a pot which has been stamped with a line or lines which indicate the level to which the oil should be filled for cooking. These lines are labelled on the pot. Fill the pot with oil to the appropriate level before lighting the cooker or adding food. Never overfill the cooking vessel with oil, grease or water. Never fill a pot beyond the maximum fill line. Always fill to at least the minimum fill line when cooking with oil. Some models of turkey cookers include pots with only one fill line. This indicates the exact level to which the oil should be filled before it is heated and food is added.

25-26 Quart Pot - Up To An 18 Pound Turkey

30-36 Quart Pot - Up To A 20 Pound Turkey

---

## LP GAS CYLINDER INFORMATION

King Kooker<sup>®</sup> Outdoor Cookers are manufactured for use with **20lb. (9 kg) LP Gas Cylinders**. Important information to remember about LP Gas cylinders include:

1. Always read and follow the cylinder manufacturer's instructions.
2. Make sure that the gas cylinder is not overfilled. The maximum weight of a properly filled 20 lb. (9 kg) LP gas cylinder is approximately 38 lbs (17 kg). Never fill the cylinder beyond 80% full.
3. Make sure that the cylinder valve has the proper connection for a Type 1 appliance fitting.
4. Do not store a spare LP gas cylinder under or near this appliance.
5. Disconnect the cylinder from the cooker for storage.
6. Store the cylinder out of the reach of children.
7. Do not use or store the cylinder in a building, garage or enclosed area.
8. Always use a 20 lb. (9 kg) cylinder in the proper upright position for the proper vapor withdrawal. It should also be stored and transported in the upright position.
9. The cylinder must have a protective collar to protect the cylinder valve.
10. Place dust cap on cylinder valve outlet whenever the cylinder is not in use. Only install the type of dust cap on the cylinder valve outlet that is provided with the cylinder valve. Other types of caps or plugs may result in leakage of propane.
11. Cylinder must be turned OFF while not in use.

### **▲WARNING**

**ALWAYS READ AND FOLLOW THESE AND THE CYLINDER MANUFACTURER'S INSTRUCTIONS. FAILURE TO FOLLOW THESE INSTRUCTIONS AND WARNINGS COULD RESULT IN FIRE, EXPLOSION, BURN HAZARD OR CARBON MONOXIDE POISONING WHICH COULD CAUSE PROPERTY DAMAGE, PERSONAL INJURY OR DEATH.**

# CONNECTION INSTRUCTIONS

1. Check that your hose assembly is set to not allow gas flow. Turn the regulator control counterclockwise until it stops. This is the OFF position.
2. Attach the regulator to the cylinder valve by turning the Type 1 fitting clockwise. Hand tighten with the regulator positioned upright. Refer to the appropriate assembly diagram for the appliance, page 12, Figure 1 or 2.
3. Perform the Leak Test:

## LEAK TEST

Before lighting the appliance, a thorough leak test must be satisfactorily completed using a non-ammonia soapy water solution (50% non-ammonia soap and 50% water). This is to be applied with a small brush to all gas joints after the cylinder valve is opened (no more than 1/2 turn). If bubbles are seen, indicating a leak, turn off the cylinder and tighten the leaking connection until a further leak test shows no leaks.

If tightening the connection does not stop the leak, call Metal Fusion, Inc. (800) 783-3885, for assistance.

**NEVER USE HOSE/REGULATOR ASSEMBLY IF LEAKING.**

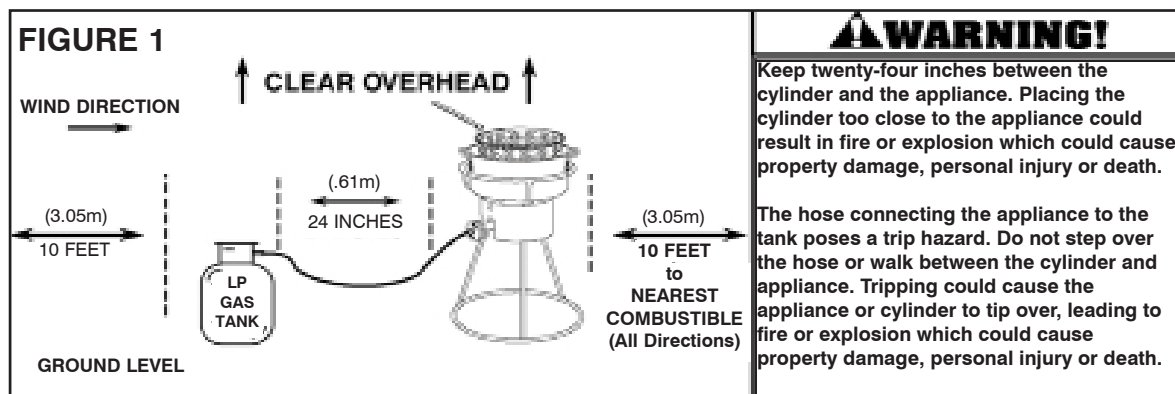
4. Before lighting the cooker, check that the venturi tube is free of obstruction and that the orifice is properly threaded into the venturi tube as per the hose connection instructions on pg. 12. Both situations must be corrected if necessary before lighting to prevent flashback.

## PLACEMENT INSTRUCTIONS

1. Never operate this appliance within 10 feet (3.05m) of any structure, combustible material or other gas cylinder. Never operate this appliance within 25 feet (7.5m) of any flammable liquids or vapors.
2. There must be no combustibles or roof overhead.
3. Keep 24" (.61m) of space between the LP gas cylinder and the appliance.
4. The LP gas cylinder and appliance must be located so that any wind is blowing the heat of the appliance away from the propane cylinder. This also helps fire prevention by blowing the flames of a grease fire away from the propane cylinder.
5. Center the pot over the burner on the cooker. Do NOT use any pot larger than the recommended size for your cooker as listed below:

Cooker Height	Maximum Pot Size	Pot - Height/Diameter
12" (30.5 cm)	32 qt. pot	12" x 14" (30.5 cm X 35.5 cm)
14.5" (37 cm) and Taller	30 qt. pot	16"x12 3/8" (40.6 cm X 31.5 cm)

6. If you have purchased model #2835 or 2836, this model is approved for use with up to a 36 qt. (34.1L) pot. These pot dimensions are equivalent to 10.13" (25.73 cm) tall x 16.63" (42.24 cm) wide x 13.38" (34 cm) depth. If your model number is not 2835 or 2836 refer to #5 above for the maximum pot size to be used with your cooker.



# LIGHTING AND OPERATING INSTRUCTIONS

## **▲WARNING**

**THE COOKER MUST NOT BE LIT UNTIL THE PRECEDING PLACEMENT INSTRUCTIONS HAVE BEEN COMPLETELY FOLLOWED.**

(ILLUSTRATIONS PAGE 25)

1. Check the casting to make sure it is set up as per the illustration (**Figure 1**).
2. Make certain that the regulator control is turned to OFF by turning it counterclockwise until it reaches the stop.
3. Open cylinder control valve by turning it counterclockwise as per the diagram (**Figure 2**).
4. To start timer operation, push the black “POWER” button. Both lights will blink once. Press red “START” button. The green light will remain on. The timer is now set for a 15 minute operational cycle. Gas will not flow to the burner unless the timer is turned on.
5. Insert a multipurpose lighter through the hole in the shroud as per **Figure 3**, or use a paper book match placed above the casting as per **Figure 4**. Turn the regulator control toward the “ON” position until ignition occurs. Turning the regulator control clockwise increases the gas pressure to the burner and hence the flame size (**Figure 2**).  
When lighting the stove, if ignition does not occur in 3 to 5 seconds, turn the regulator and cylinder valve off. Wait 5 minutes for gas to disperse. Repeat procedure.
6. Check that the flame is blue and that the flames are emitted from every port in the casting. If not, rotate the air shutter position until there is a blue flame. Opening the shutter too much will cause the flame to “Lift” off the burner (**Figure 5**).  
If there is a yellow flame, or if some ports have no flame, this indicates there may be an obstruction in the venturi tube or ports. Check the maintenance instructions on page 26 for more information regarding a yellow flame.
7. Always monitor the flame throughout the cooking process. If at any point in the cooking process the flame is accidentally extinguished, immediately turn the regulator and cylinder valve OFF. Wait 5 minutes for gas to disperse and relight the cooker according to the directions in this section.
8. The timer will run 15 minutes before shutting off gas flow. The timer can be reset manually throughout the cooking process without shutting off the gas flow by pressing the red “START” button. This will start a new 15 minute operational cycle. At 5 minutes remaining in an operational cycle, the gas flow light (green) will blink slowly. At 2 minutes remaining in an operational cycle, the gas flow light (green) will blink quickly. If the timer completes a 15 minute cycle without being reset (pressing red “START” button), the gas flow will be turned off and the flame extinguished. If additional cooking is required, relight the cooker according to the directions in this section.

**IMPORTANT: The timer does not measure temperature and will not control the temperature of the cooking liquid within the pot. The temperature must be controlled manually by observing the thermometer and adjusting the flame with the regulator control knob (turn counterclockwise to reduce the flame, clockwise to increase the flame.) NEVER reset the timer without first reading the thermometer temperature.**

9. DO NOT manually reset the timer if the oil temperature reaches 350°F(177°C). If the temperature goes above 350°F(177°C) immediately turn the burner and gas supply OFF and wait for the temperature to decrease to below 350°F(177°C) before relighting according to instructions in the manual. If at any point during the cooking process the oil begins to smoke, immediately turn the burner and gas supply OFF regardless of the reading on the thermometer. Allow time for the oil to cool, then contact Metal Fusion, Inc. for further instructions.

**The timer is NOT a replacement for proper monitoring and will not measure or control the temperature of the cooking liquid within the pot. Your cooker must always be attended while in use and monitored after use while still hot [100°F (38°C)]. The oil in the pot can overheat quickly if left unattended. The thermometer supplied with this appliance must always be used to monitor the temperature of the cooking liquid.**



# LIGHTING AND OPERATING INSTRUCTIONS (continued)

## Adjustable Regulator

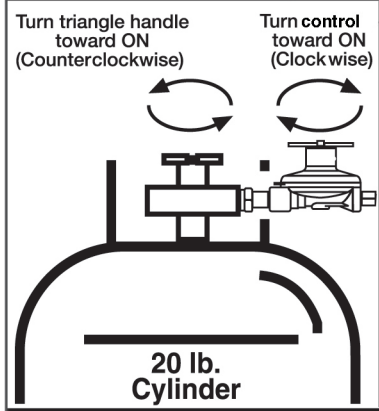
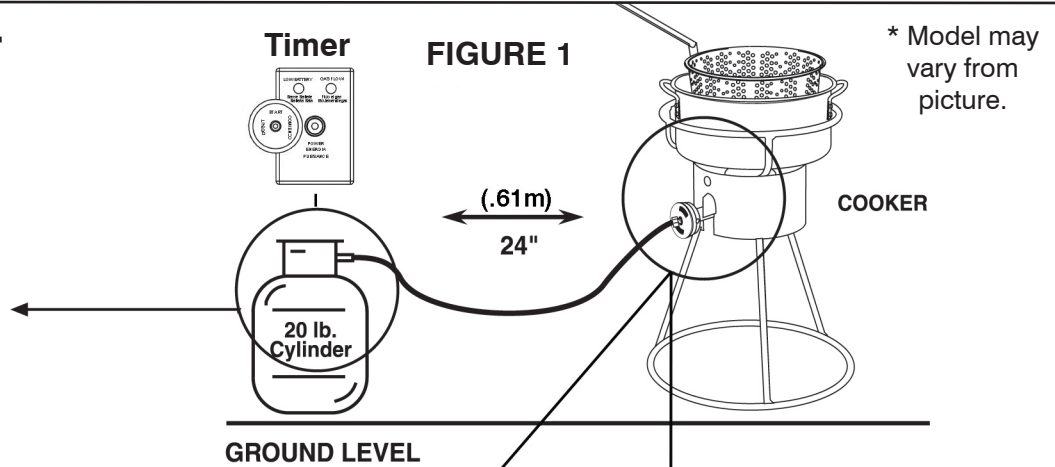


FIGURE 2



## Lighting Hole

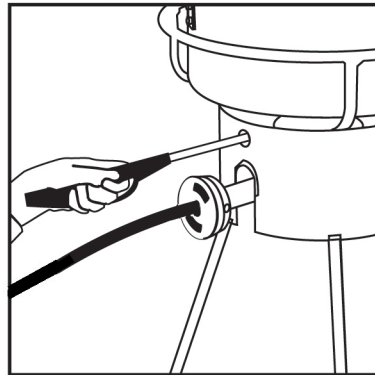


FIGURE 3

## Paper Book Match

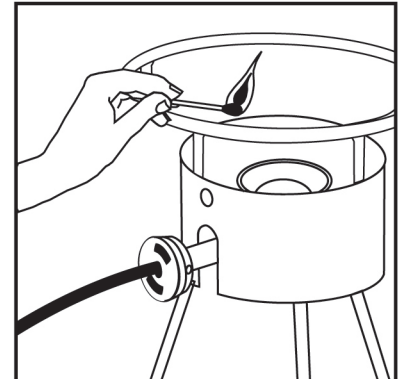


FIGURE 4

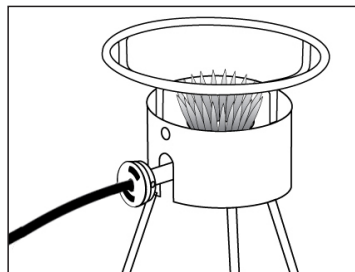


FIGURE 5

## **⚠ WARNING**

**NEVER PUT HANDS OR FACE DIRECTLY OVER BURNER WHILE LIGHTING OR WHILE THE APPLIANCE IS LIT.**

# TURNING OFF AND STORING THE COOKER AFTER USE

## **⚠WARNING**

**NEVER MOVE THE COOKER OR POT WHILE IN USE OR STILL HOT [ABOVE 100°F (38°C)].**

1. After each use turn OFF the King Kooker® at the regulator first, then at the gas cylinder valve. **Check to make sure there is no flame and all valves are off.** Do not leave the cooker until it has cooled completely. When removing food from the cooker wear protective mitts.
2. Disconnect the regulator from the cylinder by turning the Type 1 fitting counterclockwise until the regulator is separated from the tank. Remove batteries from timer housing to avoid corrosion in storage.
3. Storage of this cooker indoors is permissible only if the cylinder is disconnected and removed from the cooker. Do not use or store cylinder in a building, garage or enclosed area. Read and follow all cylinder manufacturer's instructions. The cylinder must be stored out of the reach of children at all times. Keep entire unit in area to avoid insects and contamination that can clog the venturi tube.

## **⚠WARNING**

**FAILURE TO FOLLOW THESE INSTRUCTIONS AND WARNINGS COULD RESULT IN FIRE, EXPLOSION, BURN HAZARD OR CARBON MONOXIDE POISONING WHICH COULD CAUSE PROPERTY DAMAGE, PERSONAL INJURY OR DEATH.**

---

## MAINTENANCE OF OUTDOOR COOKERS AND ACCESSORIES

1. The area where the cooker will be used must be kept clear and free from combustible materials, gasoline and other flammable vapors and liquids. Before each use of the cooker inspect and remove any combustible items.
2. The flow of combustion and ventilation of air must not be obstructed. The cooker must be set in an open area with 10 ft. (3.05m) of space on all sides and no roof or overhang overhead. Check the location and placement of the cooker before each use.
3. Before each use of the appliance check the burner/venturi tube for insects, insect nests, and other obstructions. A clogged tube can lead to a fire beneath the appliance.
4. Follow all Lighting Instructions in the Use and Care Manual each time the cooker is used. Check the flame for proper color and appearance. The flame should burn with a primarily blue color. If a strong yellow flame is present, this could indicate an obstruction in the burner/venturi tube. If there is any obstruction or a yellow flame, and the air shutter adjustment has not solved the problem, turn off the cooker and allow time for it to cool. Disconnect the hose from the cooker. Remove the air shutter using a phillips head screwdriver. Check the venturi tube with a flashlight to see if there is a blockage. If a blockage is present use a wire such as a coat hanger to slide into the venturi tube to remove the blockage. Reattach the air shutter to the venturi tube using the phillips screwdriver. Assemble and light the cooker again as per the instruction manual. If this does not resolve the problem, please call Metal Fusion, Inc. at (800) 783-3885.
5. Always use the LP hose/regulator and timer assembly supplied with the appliance. Before each use of the appliance check the LP hose for evidence of abrasion, wear, cuts or leaks. If there is any damage to the hose, the hose/regulator and timer assembly must be replaced prior to using the appliance. Contact Metal Fusion, Inc. at (800) 783-3885 for information regarding a replacement hose assembly. Only the LP hose/regulator and timer assembly specified by Metal Fusion, Inc. should be used with the appliance.
6. For purchase of any replacement parts which may have become damaged or lost, please contact Metal Fusion, Inc. at (800) 783-3885 between the hours of 7:30am-3:30pm (CST) Monday through Friday.

7. Cleaning of the appliance:

**Cooker Frame, LP Hose/Regulator and Timer:** If necessary, remove any oil or liquid which has spilled onto the unit during cooking with mild soapy water on a rag and towel dry. Do not let water enter or collect in housing of timer. Do not immerse the burner unit or hose/regulator as this will cause rust and damage components of the timer.

**Aluminum or Stainless Steel Pots:** Clean after each use according to the directions below.

**Cast Iron Cookware:** Clean after each use according to the directions below.

**Thermometer:** Clean after each use with mild soapy water and towel dry. Do not submerge in liquid or put in dishwasher.

## TIPS FOR CARING FOR ALUMINUM FRY PANS AND BOILING POTS

It is not necessary to season aluminum pots before cooking with them. Wash with a liquid dish washing detergent and towel dry.

After cooking, wash aluminum pots and fry pans in hot, sudsy detergent. If grease or black soot has cooked to the outside of the pot while cooking with your outdoor cooker, scrub the outside of the pot with a steel wool scouring pad.

**DO NOT SPRAY OVEN CLEANER ON ALUMINUM POTS TO REMOVE GREASE OR SOOT. OVEN CLEANER WILL CAUSE THE FINISH TO BECOME DULL.**

If food remains stuck in the pan after cooking, add hot water and let soak. Then scrub the pan with soap and steel wool to loosen the food.

If hard water causes darkening on the interior of your pot, fill to the level of the darkened area with a water and cream of tartar or vinegar solution (mixed with the concentration of three cups of water to one tablespoon cream of tartar, or vinegar). Boil five to ten minutes.

**NEVER PLACE AN EMPTY ALUMINUM OR STAINLESS STEEL POT ON A LIT COOKER.** A hole will be burned in the bottom of the pot. Discoloration, scratching, and dimpling may occur with the use of pots on outdoor cookers. This does not affect the performance of the pot.

Do not store used oil inside your aluminum pot. The salt used in cooking can corrode the pot causing the pot to leak. Wash the pot after each use with hot, soapy water and rinse.

## SEASONING & CARE OF CAST IRON COOKWARE

New Cast Iron Pots are coated with paraffin to prevent rusting. Before using for the first time, wash with mild soapy water, rinse, and dry thoroughly. Never use abrasive detergents. Grease the entire surface of the cookware with a thin coating of solid vegetable shortening. Do not use salted fat (margarine or butter). Heat for 30-60 minutes in oven at 300-350°F (149-177°C). Remove from oven, pour out excess grease, and wipe with a paper towel. This completes the seasoning process. Each time the cast iron is used, coat the entire surface with a thin coat of solid vegetable shortening, wipe with a paper towel, and store.

### INFORMATION REGARDING COOKING OIL

In our instructions we suggest peanut oil for deep frying. While this is an excellent choice, any good liquid vegetable oil may be substituted.

### SUGGESTIONS FOR KEEPING USED COOKING OIL:

After initial use, let the oil cool. While slightly warm, filter out particles before storing in original container or similar sturdy plastic or glass container. This can be accomplished by using filter paper (coffee filters) or a clean cloth (dishtowel). Never pour hot oil into a container. For best results store oil in a cool place. It can be reused within 30 days. Discard after second use or when the flavor of reheated oil becomes objectionable to taste.

**Helpful Hint:** Try frying a batch of french fried potatoes after frying your turkey, chicken or fish. This aids in improving the flavor of the oil for the next use.

# SECTION III

## COOKING SPECIALTIES

---

### **⚠WARNING**

The following warnings and directions apply particularly to cooking with oil and deep frying. Read ALL of the warnings and directions in the manual before using your cooker.

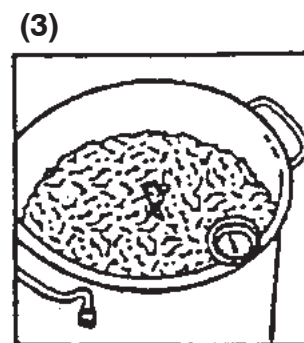
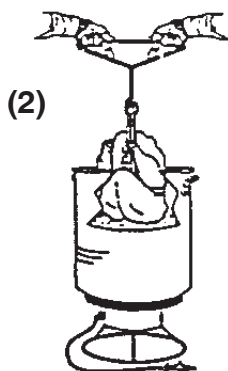
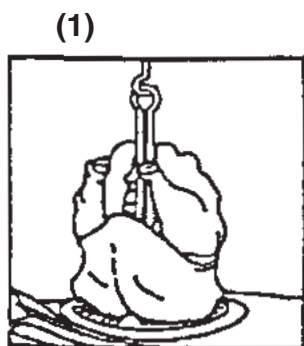
**COOKING WITH OIL IS NOT SIMILAR TO ANY OTHER COOKING METHOD.**  
**Cooking oil is very combustible at high temperatures, and special precautions must be taken to avoid a dangerous grease fire.**

1. Use the products only outdoors, and only on a level, stable, noncombustible surface such as brick, concrete, or dirt. **NOT SUITABLE** are surfaces such as wood, asphalt, or plastic which may burn, blister or melt. Keep clear from all combustible materials.
2. **DO NOT** use under any overhangs or roofs, and keep a minimum clearance of 10 ft. (3.05m) on all sides of the cooker. Keep the area clear of any combustible material. Do not use on or under any apartment or condo balcony or deck.
3. **DO NOT** leave unattended while cooker is in use or is still hot [*above 100°F (38°C)*].
4. Check all cooker fittings for leaks before each use. Keep the fuel supply hose away from any heated surfaces. Only the LP hose/regulator and timer assembly specified by Metal Fusion, Inc. should be used with this appliance.
5. When cooking with oil/grease, have a Type BC or ABC fire extinguisher readily available. In the event of an oil/grease fire do not attempt to extinguish with water. Immediately call the Fire Department. A type BC or ABC fire extinguisher may, in some circumstances, contain the fire.
6. **NEVER** overfill the cooking pot with oil, grease or water. Follow instructions in this manual for establishing proper oil, grease or water levels, (page 22).
7. Failure to completely thaw and dry food may cause oil or grease to overflow. When frying with oil or grease, all food products must be completely thawed and towel dried to remove excess water. Follow all instructions in this manual for frying foods.
8. When lowering and raising the turkey, always wear protective mitts and use extreme caution not to splash hot oil. Make sure the burner is off before lifting the turkey rack or before lifting the basket to drain.
9. **NEVER** allow grease temperature to exceed 350°F (177°C).
10. Follow **ALL INSTRUCTIONS** in this instruction manual for using your outdoor cooker.

# DEEP FRIED TURKEY INSTRUCTIONS

**ONLY PROCEED TO PREPARE YOUR TURKEY FOR FRYING IF YOU HAVE READ ALL THE INSTRUCTIONS IN THIS MANUAL**

1. Check pg. 22, “**Determining Proper Fill Levels for Cooking Vessels,**” to determine the amount of oil and size of turkey recommended for your turkey cooker model. Tip: Make sure the meat of the entire bird is submerged, but the tips of the turkey leg bones can be above the level of the grease when the bird has been placed into the pot for cooking. This helps prevent overflow of the oil.
2. Pour the necessary amount of cooking oil into the pot. Never overfill the cooking vessel.
3. Light the cooker as per the instruction manual. Never allow temperature of oil to exceed 350°F (177°C). **Always** use a deep fry thermometer to monitor the temperature of the oil. **Never leave the cooker unattended!**
4. Thaw and towel dry the turkey completely. Coat the turkey inside and out with King Kooker® Cajun Seasoning. Inject with marinade if desired. See the following page for injecting tips.
5. Place the turkey on the frying rack or basket with the legs up (**Figure #1**), or according to the instructions for using the rack for the Outdoor Chef’s Hot Tub®, page 31 or into the basket with the two adjustable lifting hooks installed for model #'s 2835 and 2836, pg. 34.
6. Wearing mitts for protection and using the lifting hook or basket, lower the turkey into the 350°F (177°C) oil very slowly. Be careful not to splash hot oil. (**Figure #2**)
7. Cook turkey at 350°F (177°C) for 3 1/2 minutes per pound. When the planned cooking time has passed and it is time to check for doneness, turn the gas to the burner completely off. (**Figure #3**)
8. Make sure the burner is off before lifting the turkey to drain. Using mitts and lifting hook/basket again, **slowly** lift turkey from the pot. Allow the turkey to drain. Slice at the thigh joint. If the thigh appears to be well cooked, the turkey is ready. Allow the turkey to cool before slicing.



**▲WARNING**

**FAILURE TO FOLLOW THESE INSTRUCTIONS AND WARNINGS COULD RESULT IN FIRE, EXPLOSION, BURN HAZARD OR CARBON MONOXIDE POISONING WHICH COULD CAUSE PROPERTY DAMAGE, PERSONAL INJURY OR DEATH.**

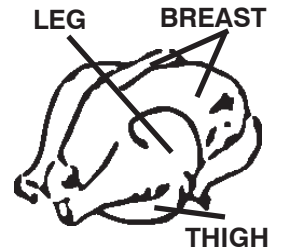
# INJECTING TECHNIQUES FOR TURKEY, CHICKEN AND ROAST

**IMPORTANT:**  
**BEFORE INJECTING, POUR MARINADE INTO A SEPARATE CONTAINER TO KEEP FROM CONTAMINATING MARINADE.**

## CHICKEN

### **BAKED**

1. Remove giblets and rinse chicken with warm water, drain cavity completely.
2. Fill Injector with desired amount of marinade.
3. Inject FULL amounts of marinade (approximately 1 oz.) at the indicated points, (breast, thigh, leg). Inject marinade slowly while pulling needle out of meat. This gives even distribution of seasoning. (For best results, insert needle at different angles through the same hole when injecting marinade.)
4. Sprinkle outside of chicken generously with King Kooker® Cajun Seasoning, rubbing in well.
5. Bake in conventional method.



### **DEEP FRIED**

1. Follow steps 1-4.
5. **CAUTION:** Make sure cavity of chicken is drained of water before deep frying. Deep fry whole chicken 7 minutes per pound at 350°F (177°C).

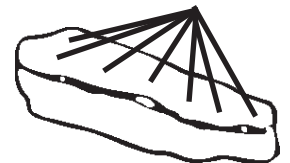
### **GRILLED**

1. Cut whole chicken into halves and rinse with warm water.
2. Follow steps 2-4 (DO NOT inject marinade before cutting chicken into halves.)
5. Place chicken on hot grill, turning several times during grilling.

## BEEF, PORK & GAME

### **BAKED**

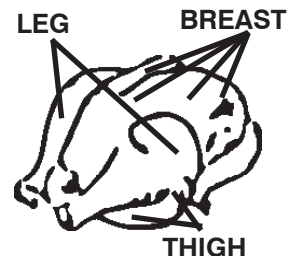
1. Fill Injector with desired amount of marinade.
2. Inject marinade 1 to 2 inches apart. Inject marinade slowly while pulling needle out of meat. This gives even distribution of seasoning.
3. Pour marinade generously over the roast.
4. Cook in oven until desired temperature is reached.



## TURKEY

### **BAKED OR FRIED**

1. Remove giblets, neck, any wires or packaging materials, and pop up timer. Rinse turkey with warm water and drain cavity completely.
2. Fill Injector with desired amount of marinade.
3. Inject FULL amounts of marinade (approximately 1 oz.) at the indicated points (breast, thigh, leg). Inject marinade slowly while pulling needle out of meat. (For best results, insert needle at different angles through the same hole when injecting marinade.)
4. Sprinkle outside of turkey generously with King Kooker® Cajun Seasoning, rubbing in well.
5. **CAUTION:** Make sure cavity of turkey is drained of water before deep frying. Deep fry turkey about 3 1/2 minutes per pound at 350°F (177°C) or bake in conventional method.



### **CLEANING AND STORAGE**

USE SOAP AND WATER TO CLEAN INJECTOR AND ALLOW TO DRY. USE VEGETABLE OIL TO LIGHTLY COAT PLUNGER OF INJECTOR. THIS ALLOWS PLUNGER TO MOVE FREELY IN THE BARREL OF THE INJECTOR.

# Model# 2054, 2064, & 2864 Outdoor Chef's Hot Tub®

## Operation Instructions

### **⚠ WARNING**

**FAILURE TO FOLLOW THESE INSTRUCTIONS AND WARNINGS COULD RESULT IN FIRE, EXPLOSION, BURN HAZARD OR CARBON MONOXIDE POISONING WHICH COULD CAUSE PROPERTY DAMAGE, PERSONAL INJURY, OR DEATH.**

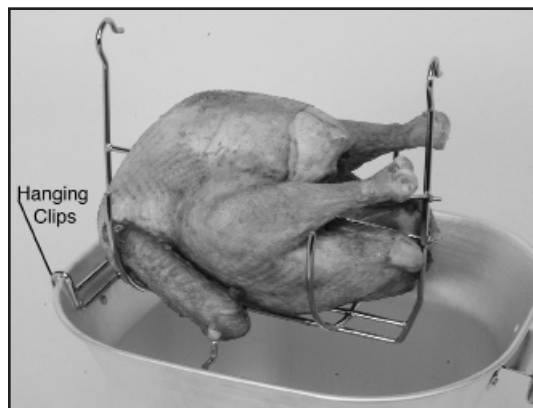
**READ AND UNDERSTAND ALL WARNINGS AND INSTRUCTIONS BEFORE USING THIS PRODUCT!**

**ASSEMBLY AND USE INSTRUCTIONS CONTAINED IN SECTIONS I-III MUST BE READ AND UNDERSTOOD BEFORE OPERATION OF THIS APPLIANCE**

The rack and baskets supplied with this appliance provides you with a wide array of cooking options. Please read and understand the following instructions for correct use of the rack and accessories.

#### **A. Use of Rack for Turkey Frying:**

1. Reference Figure 1, pg.16 for correct assembly of rack for turkey frying.
2. Pour the necessary amount of oil into the pot. To determine the correct amount of oil needed refer to **Determining Proper Fill Levels for Cooking Vessels** on pg. 22. Never overfill the cooking vessel fill line which is stamped on the side of the pot.
3. Light the cooker as per **Lighting Instructions** on pgs. 24-25. Never allow temperature of oil to exceed 350°F(177°C). **Always** use a deep fry thermometer to monitor the temperature of the oil. Refer to **Thermometer Instructions and Safety Precautions for Deep Frying with Outdoor Cookers** located on pg. 21 for important cooking directions. **Never leave the cooker unattended!**
4. Thaw and towel dry the turkey completely.
5. Place the turkey on the frying rack as per the picture below. The Turkey Stabilizer ("V") should protrude into the turkey cavity.
6. Wearing mitts for protection and using the two handed lifter, lower the turkey very slowly into the oil. Be careful not to splash hot oil.
7. Cook turkey at 350°F (177°C) for 3 1/2 minutes per pound. When the planned cooking time has passed and it is time to check for doneness, turn the gas to the burner completely off.
8. Make sure the burner is off before lifting the turkey to drain. Using mitts and the two handed lifter again, **slowly** lift turkey from the pot. Hang rack on rim of pot using the hanging clips located at the end of the rack as per picture below for drainage and cooling. Once cool, remove rack from pot.



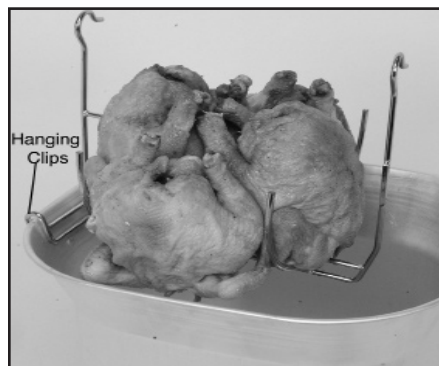
## B. Use of Rack for Steaming

1. Reference Figure 2, pg.16 for correct assembly of rack for steaming.
2. Arrange food product on steam plate as desired as per picture below.
3. Place water and seasoning mixture as desired into pot. Water level should be just below the steamer rack. Using the two handed lifter place the rack carefully into the pot and cover with the pot lid.
4. Steam as per the recipe directions contained in **Section IV - Recipes**. When cooking and removing food wear protective mitts and open the pot carefully since hot steam will escape when the lid is opened.
5. While cooking, check the water level periodically to make sure all of the water does not boil away. A pot should never be left above a flame without liquid. Placing an empty pot over a flame will cause a hole to burn through the metal.
6. When the cooking time has passed, turn off the cooker and remove the food using the two handed lifter.



## C. Use of Rack with Skewers

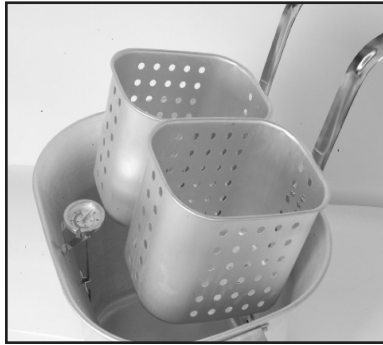
1. Reference Figure 3, pg.17 for correct assembly of rack with skewers.
2. The rack can be configured to fry up to four whole chickens at once or any kind of poultry/meat using the skewer accessories.
3. Place the food product on the skewers as per the picture below.
4. Refer to **Thermometer Instructions and Safety Precautions for Deep Frying with Outdoor Cookers** located on pg. 21 for important cooking directions. Read and understand all instructions.
5. The two handed lifter can be used to lower and raise the rack. **Always** use mitts and caution when lowering or removing the rack from pot. When removing the rack from the pot make sure that the gas supply to the burner is turned off.
6. Hang the rack on the rim of the pot using the hanging clips located at the end of the rack as per the picture below for drainage and cooling. Once cooled, remove the rack from the pot.
7. Refer to **Section IV - Recipes** for cooking times and techniques.





## D. Use of Baskets

1. Once cooking is completed, the hanging clip at the base of the handle of each basket can be used to attach the basket to the rim of the pot to allow for drainage and cooling. See picture below.



---

# OPERATION OF SPIGOT POT

## **READ AND UNDERSTAND ALL INSTRUCTIONS BEFORE USING THIS PRODUCT.**

ALWAYS ALLOW COOKING LIQUID TO COOL BEFORE OPERATING VALVE (BELOW 100°F (38°C)). COOKING LIQUID CAN REMAIN DANGEROUSLY HOT HOURS AFTER USE. ALWAYS USE A THERMOMETER TO CHECK TEMPERATURE OF THE COOKING LIQUID BEFORE OPERATING THE SPIGOT.

### **OPERATING INSTRUCTIONS FOR SPIGOT POT:**

1. Before adding cooking liquid, turn valve clockwise until it stops. This is the OFF/CLOSED position. Also make sure that the removable cap is attached and tight at the base of the spigot.
2. NEVER open the valve during use or before the oil has cooled below 100°F (38°C).
3. Upon completion of cooking, allow cooking liquid to cool before operating the valve (below 100°F (38°C)).
4. To operate valve, remove the cap at the base of the spigot. To open spigot, turn counterclockwise to the ON/OPEN position.
5. Clean the pot as per instructions on pg 27.
6. Always close the spigot valve after cleaning and attach the cap back to the end of the spigot.



\* Pot may vary from picture

**For Outdoor Use Only!**

**FAILURE TO FOLLOW THESE INSTRUCTIONS AND WARNINGS COULD RESULT IN FIRE, EXPLOSION, BURN HAZARD OR CARBON MONOXIDE POISONING WHICH COULD CAUSE PROPERTY DAMAGE, PERSONAL INJURY, OR DEATH.**

# Model# 2835 and 2836 Operation Instructions



**FAILURE TO FOLLOW THESE INSTRUCTIONS AND WARNINGS COULD RESULT IN FIRE, EXPLOSION, BURN HAZARD OR CARBON MONOXIDE POISONING WHICH COULD CAUSE PROPERTY DAMAGE, PERSONAL INJURY, OR DEATH.**

**READ AND UNDERSTAND ALL WARNINGS AND INSTRUCTIONS BEFORE USING THIS PRODUCT!**

**ASSEMBLY AND USE INSTRUCTIONS CONTAINED IN SECTIONS I-III  
MUST BE READ AND UNDERSTOOD BEFORE OPERATION OF THIS APPLIANCE**

The basket supplied with this appliance provides you with a wide array of cooking options. Please read and understand the following instructions for correct use of basket and accessories.

## **A. Use of Basket for Turkey Frying**

1. Reference Section A, pg. 19 for correct assembly of basket and adjustable lifting hooks for turkey frying.
2. Pour the necessary amount of oil into the pot. To determine the correct amount of oil needed refer to **Determining Proper Fill Levels for Cooking Vessels** on pg. 22. Never overfill the cooking vessel fill line which is stamped on the side of the pot.
3. Light the cooker as per **Lighting Instructions** on pgs. 24-25. Never allow temperature of oil to exceed 350°F(177°C). **Always** use a deep fry thermometer to monitor the temperature of the oil. Refer to **Thermometer Instructions and Safety Precautions for Deep Frying with Outdoor Cookers** located on pg. 21 for important cooking directions. **Never leave the cooker unattended!**
4. Thaw and towel dry the turkey completely.
5. Place the turkey flat into the basket (breast side up.)
6. Wearing mitts for protection and using the two handed lifter, lower the turkey very slowly into the oil. Be careful not to splash hot oil.
7. Cook turkey at 350°F (177°C) for 3 1/2 minutes per pound. When the planned cooking time has passed and it is time to check for doneness, turn the gas to the burner completely off.
8. Make sure the burner is off before lifting the turkey to drain. Using mitts and the two handed lifter again, **slowly** lift the basket with the turkey from the pot allowing the oil to drain off. Make sure to drain all of the oil from the inside of the turkey cavity before handling. Place on a flat, level surface and allow to cool before handling.

## B. Use of Basket for Steaming

1. Reference Section B, pg. 20 for correct assembly of basket and adjustable lifting hooks for steaming.
2. Locate the provided steamer support. Place the steamer support onto the center of the pot as pictured in Figure 1 below before adding water. **Do not attempt to insert, remove or adjust the steamer support when heating cooking liquid or while cooking liquid is still hot after use [water above 100°F (38°C).]**



Figure 1

3. Place water and seasoning mixture as desired into pot. Water level should be just below the top of the steamer support.
4. Using the two handed lifter and lifting hooks, carefully place the assembled basket onto the steamer support inside of the pot and cover with the pot lid.
5. Steam as per the recipe directions contained in **Section IV - Recipes**. When cooking and removing food wear protective mitts and open the pot carefully since hot steam will escape when the lid is opened.
6. While cooking, check the water level periodically to make sure all of the water does not boil away. A pot should never be left above a flame without liquid. Placing an empty pot over a flame will cause a hole to burn through the metal.
7. When the cooking time has passed, turn off the cooker and remove the food using the two handed lifter.

## C. Use of Long Handle with Basket (Model #2836 only)

1. Reference Section C, pg. 20 for correct assembly of long handle with basket. The long handle can be used when cooking foods cut into small pieces such as fish filets, french fries and vegetables. When cooking turkey, chicken or any other heavier foods, the two handed lifter and adjustable lifting hooks should be used (see Section A on pages 19 and 34 for assembly and use instructions.)
2. Once cooking is completed, the hanging clip at the base of the handle can be used to attach the basket to the rim of the pot to allow for drainage and cooling. See Figure 2 below.

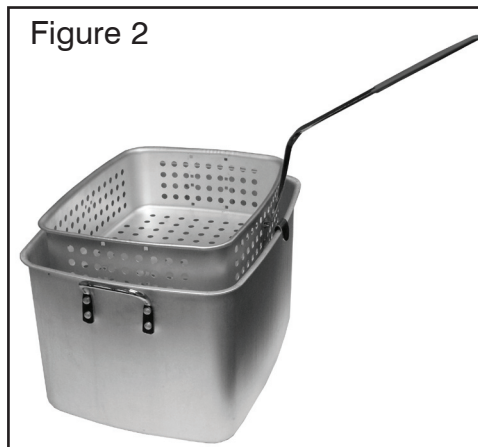


Figure 2

# USE OF KING KOOKER® DRAIN RACK

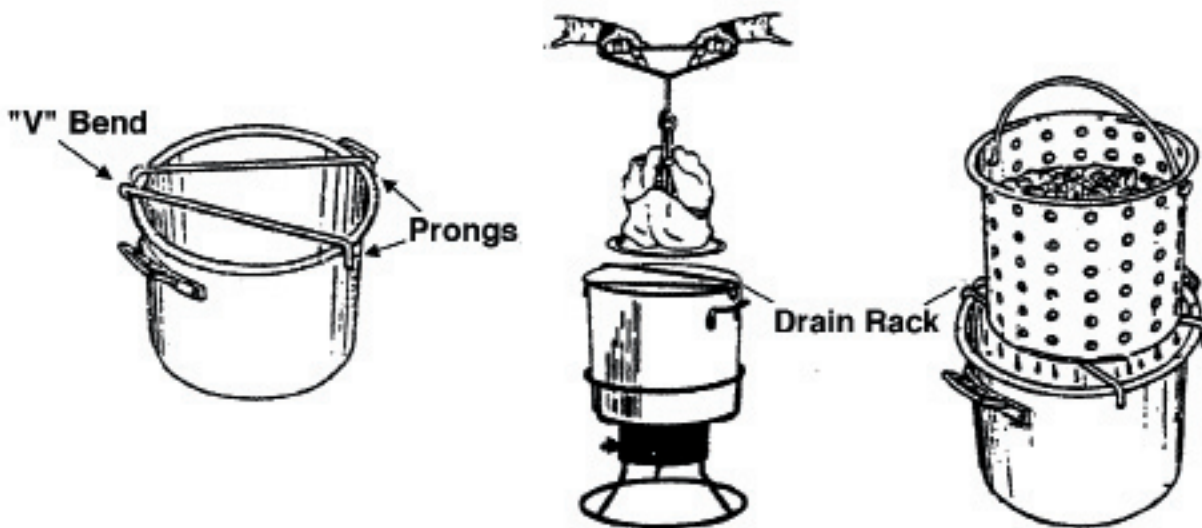
## MODEL # KK168

(SOLD SEPARATELY)

**READ AND UNDERSTAND ALL WARNINGS AND INSTRUCTIONS BEFORE USING THIS PRODUCT!**

### Directions:

1. Use the drain rack for draining a fried turkey on a stand which has a round disk type base as pictured below (not a wire formed base) or for draining food cooked within a strainer basket.
2. Always turn OFF the outdoor cooker before removing the turkey from the pot or before raising the strainer basket from the pot. Use mitts for protection. Remove the turkey rack or strainer basket from the pot. Place the drain rack across the top of the center of the pot. Make sure the rack is centered so that the prongs and the "V" bend extend evenly over each side of the pot.
3. The rack should be placed so that it provides a steady base on which to set the turkey rack or basket for draining. Refer to the drawings below for placement.



**⚠ WARNING**

**FAILURE TO FOLLOW THESE INSTRUCTIONS AND WARNINGS COULD RESULT IN FIRE, EXPLOSION, BURN HAZARD OR CARBON MONOXIDE POISONING WHICH COULD CAUSE PROPERTY DAMAGE, PERSONAL INJURY, OR DEATH.**



# SECTION IV RECIPES

from  
The King of Outdoor Cooking®

---

## Boiled Seafood The King Kooker® Way!

For a 22 to 32 quart pot, fill 1/2 full of water. Add 2 to 4, 16 ounce King Kooker® Complete Crab, Shrimp, Crawfish Boil (complete, nothing to add). Bring water to a rolling boil. Add seafood. Gently stir. Cover the pot and return to boil. Boiling times: Shrimp - 2 minutes; Crawfish - 5 minutes; Crabs - 5 minutes. Cut off the fire. Gently stir the seafood again and let it soak. Add 1/2 of one 8 ounce King Kooker® Liquid Crab Boil. Soaking time: Shrimp - 15 to 20 minutes; Crawfish and Crabs - 15 to 20 minutes.

Seafoods tend to float on the surface while soaking. On the surface they do not thoroughly absorb the seasoning. Add the equivalent of one tray of ice to the pot, allowing it to float on the surface of the liquid. This sudden change of temperature causes the seafood to sink and to draw in the great flavor of “King Kooker® Seasoning”.

### *A Little Extra*

To complement your seafood, try including a few creamer potatoes, a few ears of corn, fresh mushrooms, two or three cloves of garlic, fresh peeled onions, hot dogs, smoked sausage or andouille sausage.

**Hint:** Allow potatoes extra cooking time by adding them to the boiling seasoned water 5 to 10 minutes before adding the seafood.



## King Kooker® Beans



Ingredients: 2 - 64 oz. cans of Pork & Beans, 2 - large white finely chopped onions, 1 bell pepper finely chopped, 1 - bunch of shallots finely chopped, 1/2 bunch of celery finely chopped, 1 lb. ground meat, 1 lb. sliced bacon, 1 lb. light brown sugar, 1 - 8 oz. bottle of honey, 1 - King Kooker® Gourmet Barbecue Sauce, 3 oz. King Kooker® Cajun Seasoning, Olive Oil for sauteing seasonings.

Directions: Brown off the ground meat. Drain off and dispose of the fat. Set aside the ground meat. Cut the bacon into thirds. Fry the bacon. Drain off and dispose of the fat. Set aside the bacon. Pour a few ounces of olive oil into the pot. Place the onion, bell pepper, shallots and celery into the olive oil. Saute until the onions are clear. Add all remaining ingredients, including meat and bacon. Stir, cover and cook for sixty minutes over low heat. Stir often during cooking to prevent sticking.

# King Kooker® Jambalaya

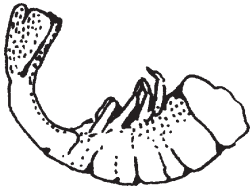
Ingredients: 2 cans chicken broth, Tabasco, minced garlic, 4 oz. Kitchen Bouquet, 2 cans sliced mushrooms, 2 onions finely cut, 2 bell peppers finely cut, 2 lbs. smoked sausage, 1 lb. hot sausage or andouille, 8 small bags King Kooker® (8 oz.) jambalaya mix, 1 lb. bacon, water.

Fry off 1 lb. bacon (cubed) in small amount of cooking oil, then remove. Brown all meat, then remove. Place onions and bell peppers into pot and cook until soft. Put all meat back in except bacon. Add chicken broth, mushrooms, Kitchen Bouquet (4 oz. bottle), minced garlic (3 to 4 tbsp.), and Tabasco Hot Sauce (6 tbsp.) Add enough water to fill 3/4 of pot and bring to slow boil. Add 8 bags jambalaya mix. Bring back to slow boil. Boil 5 minutes. Stir occasionally to prevent rice from sticking. Turn fire off, cover, and let stand 20 to 25 minutes. Makes approximately 32 servings.



## Fried Seafood

Wash and drain seafood. Remove any excess moisture. This will reduce splashing and popping in hot oil. Thoroughly coat seafood with King Kooker® Seasoned Fish Fry. Place in oil or shortening at 325 - 350° F (163-177°C) and cook until golden brown on all sides. Heavier breading may be obtained by dipping seafood in a mixture of egg and milk before coating with seasoned fish fry.



## Deep Fried Turkey

Ingredients: 1 Turkey, 1 King Kooker® aluminum pot and basket or lifting rack, deep fry thermometer, King Kooker® Cajun Seasoning, King Kooker® Injectable Marinade, marinade injector, peanut oil (enough to cover turkey).

The turkey should be clean and dry, inside and out. Inject the turkey with King Kooker® Injectable Marinade as per the instructions on the bottle. Cover the carcass inside and out with King Kooker® Cajun Seasoning. Pour cooking oil into pot according to the directions located on page 22, “**Determining Proper Fill Levels for Cooking Vessels.**” Light your King Kooker® and heat the oil to 350° F (177°C). When the oil is hot enough, place the turkey into the basket, or on the rack, and slowly lower into the hot oil. Be careful not to splash the hot oil.



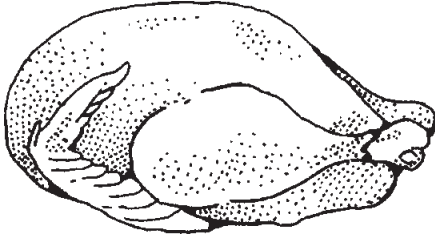
Fry for about 3-1/2 minutes per pound of the turkey. When the calculated time has passed, completely turn off the flow of gas. Check that the cooker is off before lifting the turkey to drain. Using mitts and the lifting hook/basket again, slowly lift the turkey from the oil. Check the thigh joint. If it appears to be well cooked, the bird is ready.

## Deep Fried Chickens

If you would like to deep fry whole chickens, follow the same instructions for preparation as above, but cook for 7 1/2 minutes per pound at 350° F (177°C). For example, if you have 4 chickens weighing about 3 lbs. each, you would multiply 3 times 7-1/2 minutes and cook the chickens for 22 1/2 minutes. When the calculated cooking time has passed, completely turn off the flow of gas. Check that the cooker is off before lifting the chickens to drain. Using mitts and lifting hook/basket again, slowly lift the chickens from the oil. Check the thigh joints of the chickens for doneness.

# Deep Fried Turkey Breast

Prepare the turkey and oil as per the directions for Deep Fried Turkey on page 38 . Deep fry the Turkey Breast for 5 minutes per pound at 350°F (177°C) . When the calculated time for cooking has past, turn off the flame, remove the Turkey Breast from the oil and check for doneness by slicing through the breast.



# Southern Fried Chicken

Ingredients: Chicken, oil, milk, eggs, King Kooker® Seasoned Fish Fry.

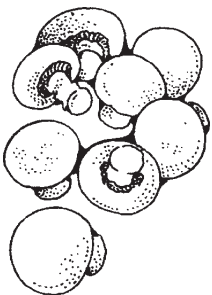
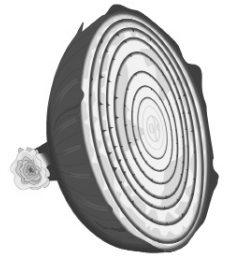
Cut, wash and drain chicken pieces. Dip pieces into a mixture of beaten egg and milk. Coat with King Kooker® Fish Fry. Heat oil to 350° F (177°C). Place chicken into oil and cook until done. Cooking outdoors with a large pot allows for larger quantities to be prepared in less time.

# Fried Onion Rings

Ingredients: Colossal onions (if available), 2 beaten eggs, 1/2 cup milk, flour, King Kooker® Seasoned Fish Fry.

Cut onions into rings, wash and drain. Blend eggs and milk in a bowl for dipping. Dip each onion ring into egg and milk mixture, then into flour. Dip onion ring again in the egg and milk mixture, then coat with King Kooker® Seasoned Fish Fry.

Heat oil to 350°F (177°C). Drop onion rings one at a time into the heated oil. When the rings float to the top, remove from oil. Serve warm.

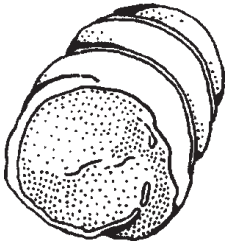


# Fried Mushrooms

Ingredients: Mushrooms, water, oil, King Kooker® Seasoned Fish Fry.

Slice mushrooms 1/8" (.32cm) thick and submerge in water to wet the slices. Coat slices thoroughly with King Kooker® Seasoned Fish Fry. Heat oil to 350° F (177°C). Place the mushroom slices into heated oil. When the mushroom slices float to the top, remove from oil. Serve warm.

# Deep Fried Boston Butt



Ingredients: 5 lb. Boston Butt Roast, thawed, rinsed and dried, King Kooker® Marinade of Choice, King Kooker® Cajun Seasoning, cooking oil.

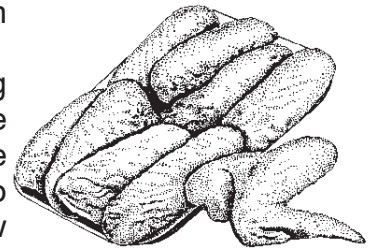
Inject the thawed roast with the marinade of choice. Refer to the injecting directions, page 30, for information about injecting. Sprinkle King Kooker® Cajun Seasoning on the outside of the roast as desired. Heat the cooking oil to 350°F (177°C) and immerse the roast in the oil. Allow the roast to cook for approximately 8 1/2 minutes per pound. When the calculated time has past, turn off the cooker.

Remove the roast carefully from the oil. Check for doneness by immediately inserting a meat thermometer into the center of roast. Pork should reach a temperature of 170° F (77° C) to be done. Check also by slicing and examining meat. If the roast is not completely cooked, restart the cooker, raise the temperature of the oil to 350° F (177° C), and immerse the roast once again into the oil for additional cooking time. When done, turn off the cooker, remove from the oil and drain. Cool, slice and serve.

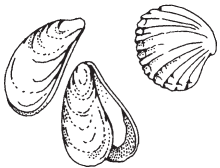
# King Kooker® Wings

Ingredients: 3-5 lb. thawed and dried wings, King Kooker® Cajun Seasoning, cooking oil, King Kooker® Wing Sauce of flavor of choice.

Heat the cooking oil to 325° F (163° C). Coat the wings with King Kooker® Cajun Seasoning. Place some of the wings carefully into the heated cooking oil. Cook until the wings float and appear done. Remove the batch from the grease carefully with a skimmer long enough to keep hands away from hot oil. Check a wing for doneness. If done, add a few more wings to cook the next batch. Always monitor the temperature of the oil to keep it at 325°F (163°C). After removing the wings from the oil, dip them into the King Kooker® Wing Sauce of choice. Varieties include: Spicy, Jalapeno, Habanero and Cayenne/Garlic.



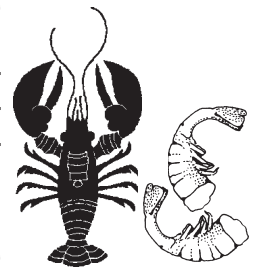
# Steamed Clams or Mussels



Clean clams thoroughly in cold water, scrubbing with a brush. Discard any that float. Place clams on steamer plate. Pour enough water into pot to come up to bottom of steamer plate when in pot. Bring water to a boil and cover. The clams are cooked when the shells open. Any shells which do not open should be discarded. Remove from heat. Too much cooking will toughen the clams. Serve with drawn or melted butter.

# Steamed Blue Crabs, Shrimp, or Lobsters

Place water in the pot up to the bottom of the steaming plate. You can replace one half of a gallon of the water with 1/2 gallon of vinegar if you would like. Add 2 1/2 tablespoons of steamer seasoning and 3 tablespoons salt to water/vinegar mixture. Place the steamer rack into the pot and layer the seafood on the steamer rack, sprinkling each layer generously with steamer seasoning. Salt to taste. Cover and steam until crabs or lobsters turn red (approximately 20-25 minutes). Steam shrimp (approximately 10-15 minutes), the meat will pull away from the shell when done. For extra flavor pour two ounces of King Kooker® Liquid Crab Boil into the water/vinegar mixture.



***We recommend King Kooker® Complete Crab, Shrimp, Crawfish Boil to add flavor to all your steamed seafoods and vegetables.***



# SECTION V

## READ AND UNDERSTAND ALL INSTRUCTIONS BEFORE USING YOUR KING KOOKER® PRODUCT

---

### FREQUENTLY ASKED QUESTIONS AND ANSWERS

1. **What is the problem if the cooker takes too long or will not heat oil or cooking ingredients to desired temperature? My cooker's flame appearance is very weak.**

Answer: If the hose assembly has a Type 1 Connection (black/green knob), it is equipped with a flow limiting device. This device is intended to limit the flow of gas should there be a leak between the regulator and the appliance. To achieve a positive gas seal, which will allow for maximum gas flow, the regulator control must be set to a completely OFF position before the cylinder valve is opened. A good tip to remember is "TANK IS FIRST ON, LAST OFF."

The Problem Can Be Remedied by completing the following steps:

1. Turn the regulator control to the OFF position. Close the tank valve completely by turning it clockwise until it stops.
  2. Remove Type 1 Connection (black/green knob) from the tank valve. The flow limiting device will now reset.
  3. Re-attach Type 1 Connection (black/green knob) to the tank valve. Tighten completely.
  4. Turn tank valve ON (counterclockwise).
  5. Turn the regulator control to an ON position.
  6. Relight cooker following all lighting instructions contained in this manual. Check for proper flame characteristics.
2. **What is the problem if the cooker shuts off before the planned cooking time is finished?**

Answer: Your cooker has been equipped with a battery operated timer located on the hose/regulator. This timer and the supplied thermometer are not a substitute for attending a cooker. The timer is not a replacement for proper monitoring and will not measure or control the temperature of the cooking liquid within the pot. If the timer completes a 15 minute cycle without being reset, the gas flow will be turned off and the flame extinguished. Re-light according to the directions in this manual. The timer can be reset manually throughout the cooking process without shutting off the gas flow by pressing the red "START" button. Pushing the "START" button at any point when the timer is powered on will give you 15 minutes of operation. NEVER reset the timer without first reading the thermometer temperature. If the timer does not work or stops before a 15 minute operational cycle is finished, replace the batteries according to the "**Battery Installation**" instructions. Complete "**Lighting and Operating Instructions**" are shown on page 24 of the Use and Care Manual.

3. **How long will the propane in my tank last?**

Answer: On average, a full tank will give you 4 to 5 hours of normal cooking.

4. **I have a new style tank and it won't connect to my regulator. What do I do?**

Answer: The regulator supplied with this appliance has a Type 1 Connection which will attach to the tank valve which has large threads on the valve outlet. These connect into the large plastic handnut (black or green). This tank will also connect to earlier models of Metal Fusion cooker regulators which had a brass plug connector with left hand threads, which will connect to the internal threads of the Type 1 tank valve (with a wrench). If your tank has a quick disconnect valve (plug in type) our regulators can not connect to this tank.

5. **I have a brand new cooker and I cannot get the burner to light. What's the problem?**

Answer: Make sure the tank has been filled with propane. Tanks purchased from the store shelf are most often sold empty. If this does not solve the problem refer to Maintenance Instruction items #3 and #4, page 26. If you have questions please call Metal Fusion, Inc. at (800) 783-3885.

**IF YOU HAVE A QUESTION WE HAVE NOT ADDRESSED IN THIS MANUAL  
PLEASE SEND US AN E-MAIL AT [info@kingkooker.com](mailto:info@kingkooker.com) OR CALL 1-800-783-3885  
BETWEEN 7:30 A.M. AND 3:30 P.M. CST MONDAY THROUGH FRIDAY.**

# NOTES



# Outdoor Cooker Safety Precautions

## **WARNING!**

FAILURE TO FOLLOW THESE INSTRUCTIONS AND WARNINGS COULD RESULT IN FIRE, EXPLOSION, BURN HAZARD OR CARBON MONOXIDE POISONING WHICH COULD CAUSE PROPERTY DAMAGE, PERSONAL INJURY OR DEATH.

*Read and understand the entire Assembly Instructions and Use and Care Manual before using this product. If you lose your manual and need a replacement, or have questions, please contact us at 1-800-783-3885 between the hours of 7:30 A.M. and 3:30 P.M. CST Monday-Friday, or go to [www.kingkooker.com](http://www.kingkooker.com)*

**WARNING: This Product Contains, and Its Use Will Create Chemicals Known to The State of California to Cause Cancer and Birth Defects (Or Other Reproductive Harm).**



**USE ONLY OUTDOORS!**



**DO NOT** use under any overhang or roof. Keep a minimum clearance of 10 ft. (3.05m) on all sides of the cooker.



**DO NOT** use on combustible surfaces.



**ALWAYS** keep children, pets and any unauthorized persons away from cooker.



**ALWAYS** use a deep fry thermometer to monitor the temperature of the grease while frying and preheating.



**NEVER LEAVE COOKER UNATTENDED** while in use or still hot.



**ALWAYS** wear shoes while cooking. Keep hair and clothing from coming into contact with the cooker while in use or still hot.



**ALWAYS** wear protective mitts and use extreme caution not to splash hot oil.



**NEVER** cover the pot while frying or preheating.



**ALWAYS** turn the burner **OFF** when cooking is complete.



**ALWAYS** thaw and dry food completely before cooking with oil or grease.

KING GRILLERDINE<sup>®</sup>, KING KOOKER<sup>®</sup>, the KING KOOKER<sup>®</sup> logo, THE KING<sup>®</sup>, THE KING OF OUTDOOR COOKING<sup>®</sup>, MR. OUTDOORS<sup>®</sup>, and WATCHDOG OUTDOOR COOKER SERIES<sup>®</sup> are trademarks of Metal Fusion, Inc., 712 St. George Avenue, Jefferson, LA 70121