

Upright Bagless Lightweight Vacuum Cleaner

Aspirateur-Balai Sans Sac, Léger

Aspiradora Vertical Liviana Sin Bolsa

B0BN5F6MJY

EN	Page 2
FR	Page 22
ESPágina 42

Table of Contents

1. Important Safety Instructions	3
1.1 Polarization Instruction	4
2. Intended Use	4
3. Appliance Description	5
4. Accessories Description	6
5. Before First Use	6
6. Assembly	7
7. Operation	8
7.1 Switching on/off	8
7.2 Using the appliance	8
7.3 Using accessories	9
7.4 Using the extension wand	10
8. Cleaning, Storage and Maintenance	12
8.1 Cleaning	12
8.2 Storage	16
8.3 Maintenance	19
9. Frequently Asked Questions	20
10. Specifications	20
11. Feedback and Help	21

1. IMPORTANT SAFETY INSTRUCTIONS



Read these instructions carefully and retain them for future use. If this appliance is passed to a third party, then these instructions must be included.

When using electrical appliances, basic safety precautions should always be followed including the following:

READ ALL INSTRUCTIONS BEFORE USING THIS APPLIANCE



WARNING

Risk of fire, electric shock or injury!

To reduce the risk of fire, electric shock or injury: Do not leave appliance when plugged in. Unplug from outlet when not in use and before servicing.



WARNING

Risk of electric shock!

To reduce the risk of electric shock - Do not use outdoors or on wet surfaces.

- ▶ Do not allow to be used as a toy. Close attention is necessary when used by or near children.
- ▶ Use only as described in this manual. Use only manufacturer's recommended attachments.
- ▶ Do not use with damaged cord or plug. If appliance is not working as it should, has been dropped, damaged, left outdoors, or dropped into water, return it to a service center.
- ▶ Do not pull or carry by cord, use cord as a handle, close a door on cord, or pull cord around sharp edges or corners. Do not run appliance over cord. Keep cord away from heated surfaces.
- ▶ Do not unplug by pulling on cord. To unplug, grasp the plug, not the cord.
- ▶ Do not handle plug or appliance with wet hands.
- ▶ Do not put any object into openings. Do not use with any opening blocked; keep free of dust, lint, hair, and anything that may reduce air flow.
- ▶ Keep hair, loose clothing, fingers, and all parts of body away from openings and moving parts.
- ▶ Turn off all controls before unplugging.
- ▶ Use extra care when cleaning on stairs.
- ▶ Do not use to pick up flammable or combustible liquids, such as gasoline, or use in areas where they may be present.
- ▶ Do not pick up anything that is burning or smoking, such as cigarettes, matches, or hot ashes.
- ▶ Do not use without dust container and/or filters in place.

Additional Safety Instructions for Canada

- ▶ This appliance is not intended for use by persons (including children) with reduced physical, sensory or mental capabilities, or lack of experience and knowledge, unless they have been given supervision or instruction concerning use of the appliance by a person responsible for their safety.
- ▶ Children should be supervised to ensure that they do not play with the appliance.
- ▶ If the supply cord is damaged, it must be replaced by the manufacturer, its service agent or similarly qualified persons in order to avoid a hazard.

1.1 Polarization Instruction

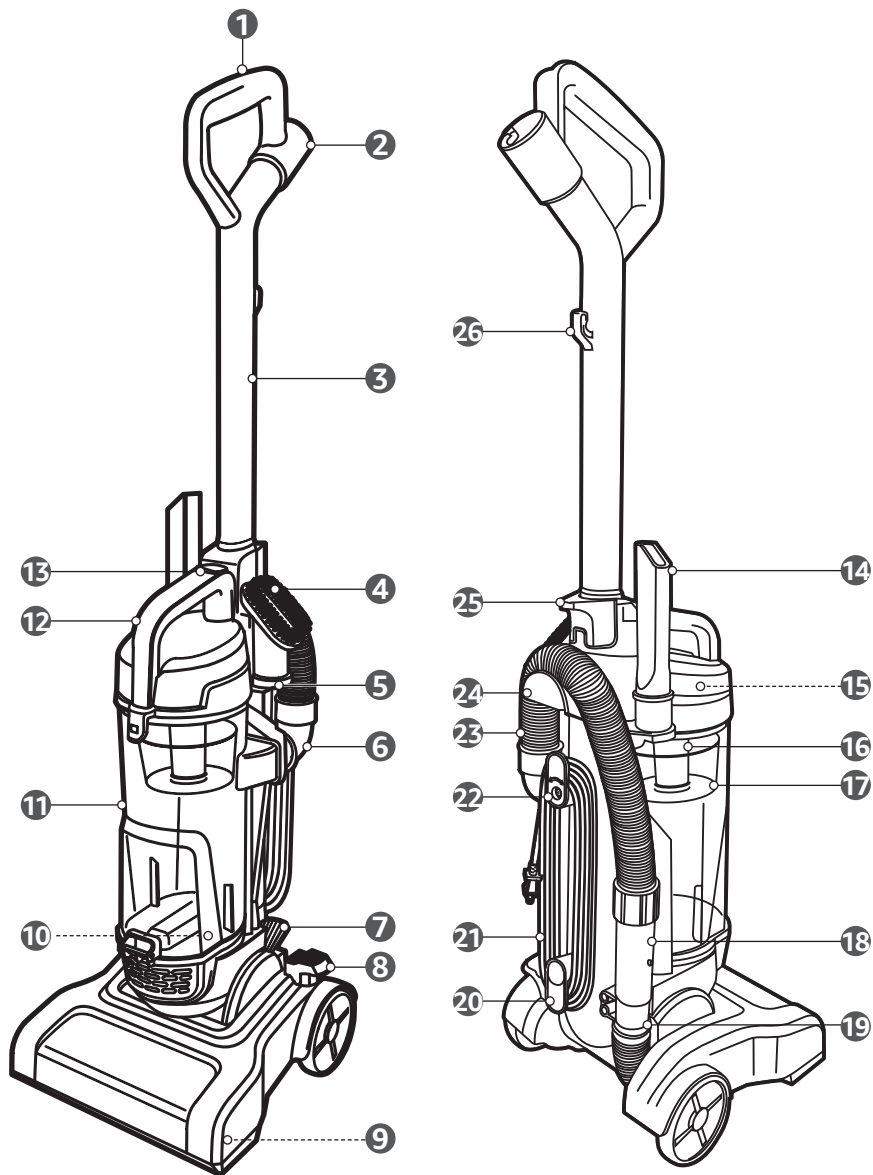
To reduce the risk of electric shock, this appliance has a polarized plug (one blade is wider than the other). This plug will fit in a polarized outlet only one way. If the plug does not fit fully in the outlet, reverse the plug. If it still does not fit, contact a qualified electrician to install the proper outlet. Do not change the plug in any way.

SAVE THESE INSTRUCTIONS

2. Intended Use



- ▶ This appliance is intended for vacuuming of dust, lint and general dirt on soft and hard surfaces. Do not use it for vacuuming ashes, sharp objects e.g. glass, or to vacuum liquids or other flammable substances.
- ▶ This appliance is intended for household use only.
- ▶ This appliance is intended to be used in dry indoor areas only.

3. Appliance Description



- | | | | |
|----|-------------------------------|----|-------------------------|
| 1 | Handle | 14 | Crevice tool |
| 2 | Extension wand port | 15 | Foam filter |
| 3 | Extension wand | 16 | Cyclone filter |
| 4 | Dusting brush | 17 | Inlet cup |
| 5 | Accessory holder | 18 | Hose handle |
| 6 | Filter port | 19 | Suction port |
| 7 | Power switch pedal | 20 | Lower cord storage hook |
| 8 | Vacuum recline pedal | 21 | Power cord |
| 9 | Brush roll | 22 | Upper cord storage hook |
| 10 | Dust container empty button | 23 | Flexible hose |
| 11 | Dust container | 24 | Hose clip |
| 12 | Carrying handle | 25 | Extension wand release |
| 13 | Dust container release button | 26 | Cord clip |

4. Accessories Description

- | | | | |
|----|---------------|---|--|
| 4 | Dusting brush |  | Suitable for removing dust from furniture, counter tops, blinds, and air vents. |
| 14 | Crevice tool |  | Suitable for hard-to-reach areas, such as behind furniture and between crevices and corners. |

5. Before First Use

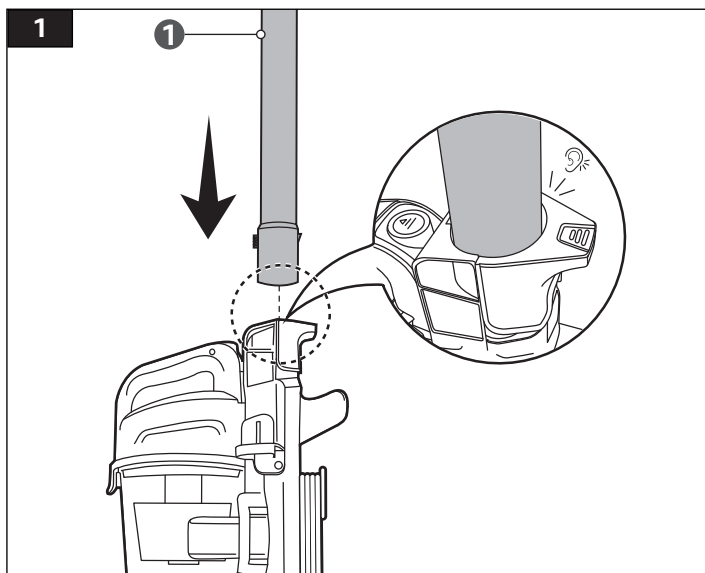
⚠ DANGER Risk of suffocation!

Keep any packaging materials away from children and pets – these materials are a potential source of danger, e.g. suffocation.

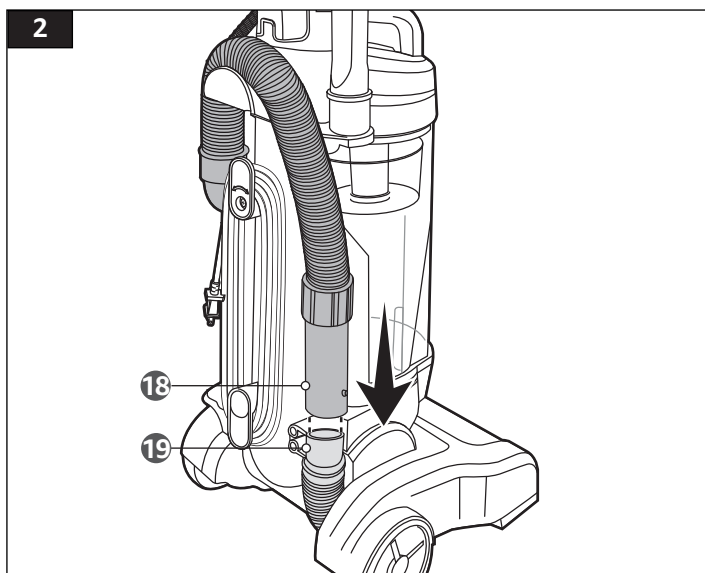
- ▶ Remove all the packing materials.
- ▶ Check the appliance for transport damages.
- ▶ Before connecting the appliance to the power supply, check that the power supply voltage and current rating corresponds with the power supply details shown on the appliance rating label.

6. Assembly

1. Insert the handle (1) into the appliance body (Fig. 1) until it clicks into place.



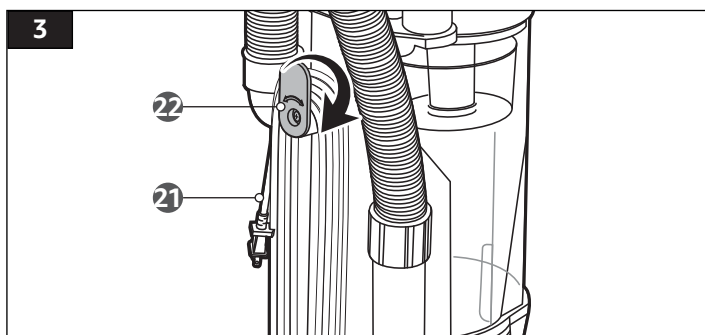
2. Connect the hose handle (18) to the suction port (19) (Fig. 2).



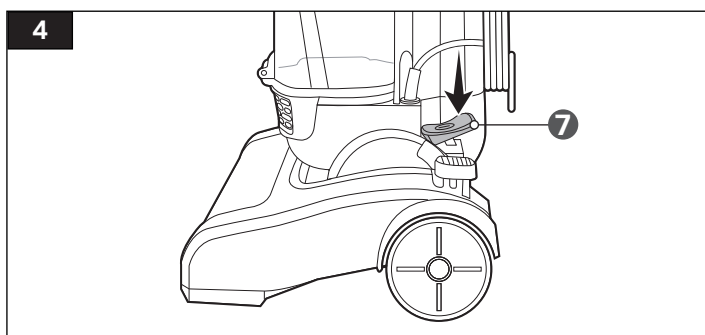
7. Operation

7.1 Switching on/off

1. Turn the upper cord storage hook (22) to release the power cord (21) and connect the plug to a suitable socket outlet (Fig. 3).



2. To switch the appliance on, step once on the power switch pedal (7) (Fig. 4).



3. To switch the appliance off, step once on the power switch pedal (7) (Fig. 4).

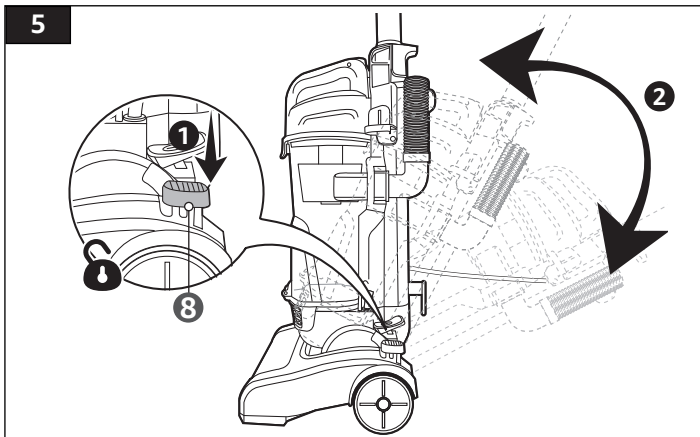
7.2 Using the appliance

NOTICE Make sure the dust container (11), filters and accessories are fitted properly before use.

1. Turn the upper cord storage hook (22) to release the power cord (21) and connect the plug to a suitable socket outlet (Fig. 3).
2. Hook the power cord (21) onto the cord clip (26) to avoid tripping over it.

- Press the vacuum recline pedal (8) with your foot to adjust the position of the appliance for regular floor vacuuming or low reach vacuuming (Fig. 5).

NOTICE The angle of the appliance does not lock in place. It is freely adjustable when the vacuum recline pedal (8) is unlocked.

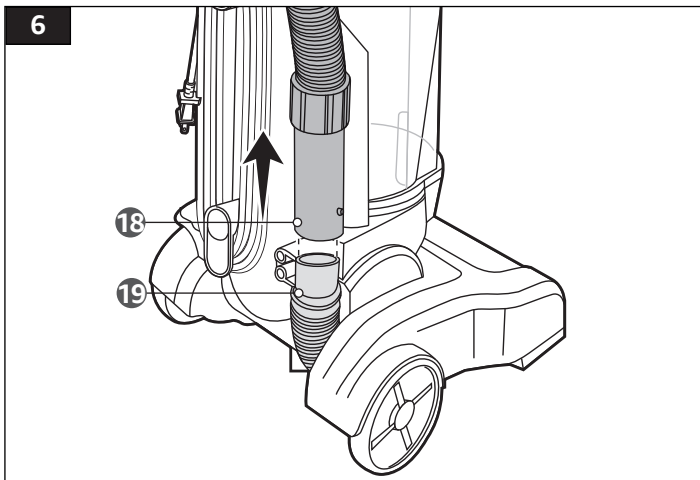


- After vacuuming, switch the appliance off.
- To return the appliance to its upright position, push the handle (1) forward until the vacuum recline pedal (8) clicks into place.

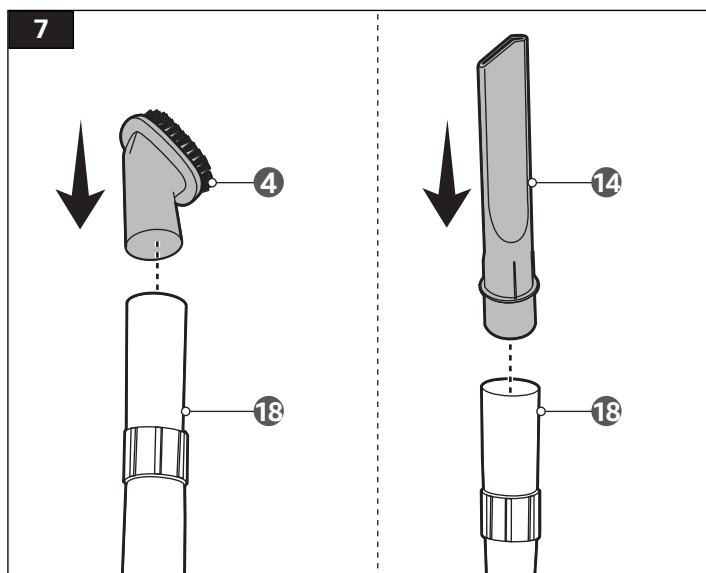
7.3 Using accessories

NOTICE Switch off the appliance and disconnect the plug before attaching any accessories.

- Detach the hose handle (18) from the suction port (19) (Fig. 6).



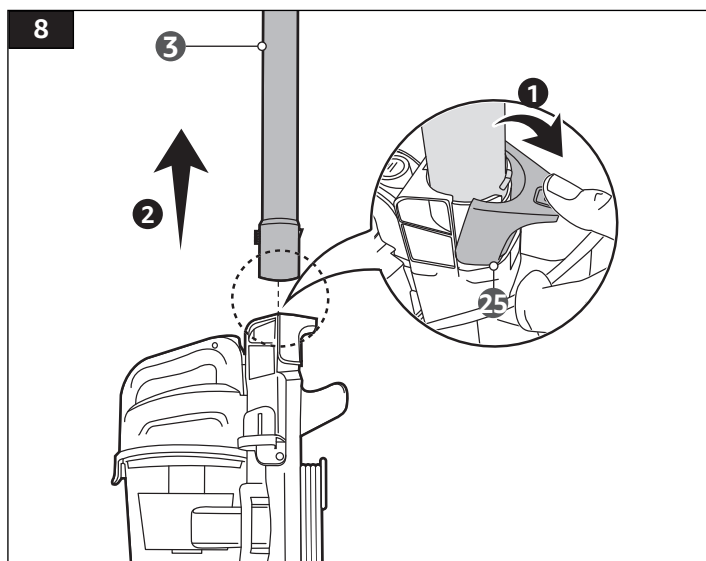
2. Insert the crevice tool (14) or dusting brush (4) into the hose handle (18) (Fig. 7).



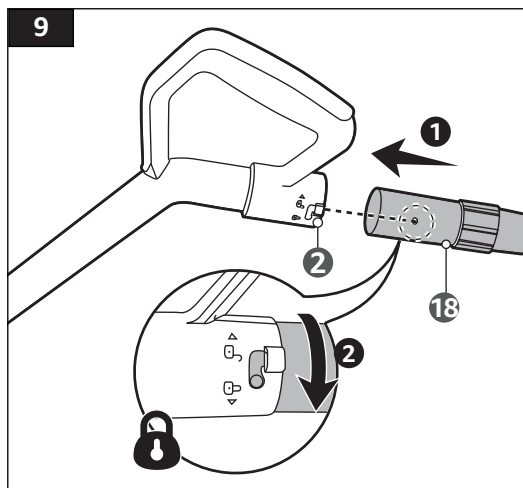
3. Use the appliance accordingly with the fitted accessory.

7.4 Using the extension wand

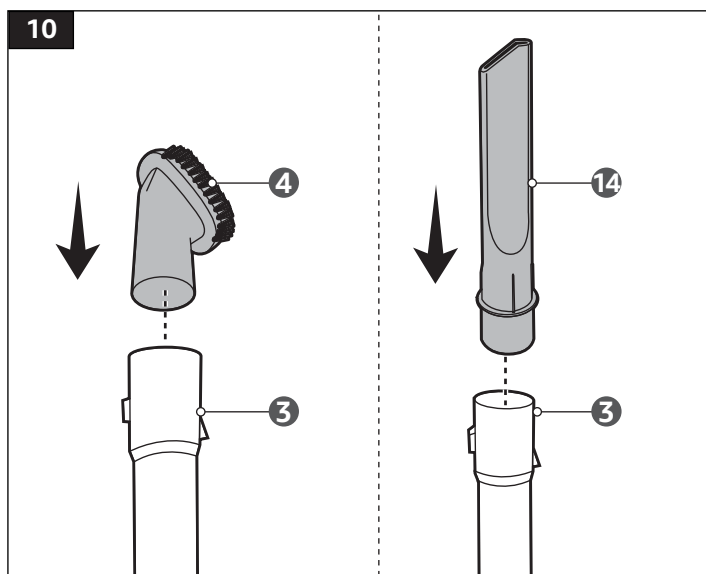
1. Detach the hose handle (18) from the suction port (19) (Fig. 6).
2. Press the extension wand release (25) and pull the extension wand (3) out (Fig. 8).



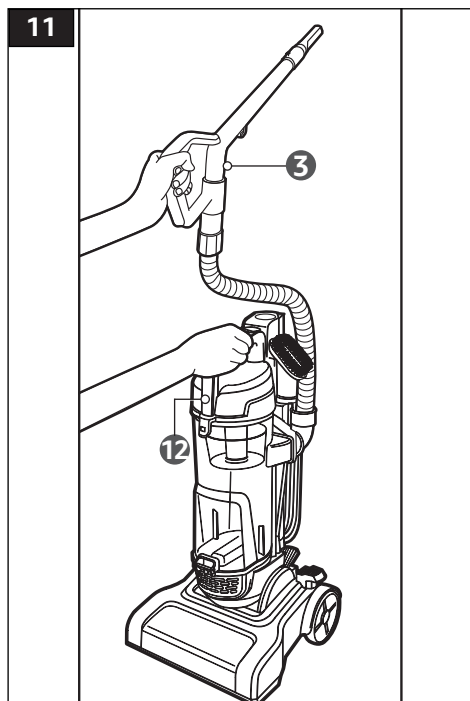
3. Place the hose handle (18) into the extension wand port (2) and turn the hose handle (18) until locked in place (Fig. 9).



4. Insert the crevice tool (14) or dusting brush (4) into the extension wand (3) (Fig. 10).



5. Carry the appliance by the carrying handle (12) and use the extension wand (3) with the fitted accessory as necessary (Fig. 11).



8. Cleaning, Storage and Maintenance

⚠ WARNING Risk of electric shock!

- ▶ To prevent electric shock, unplug the appliance before cleaning.
- ▶ During cleaning do not immerse the electrical parts of the appliance in water or other liquids. Never hold the appliance under running water.
- ▶ Do not attempt to repair the appliance yourself. In case of malfunction, repairs are to be conducted by qualified personnel only.

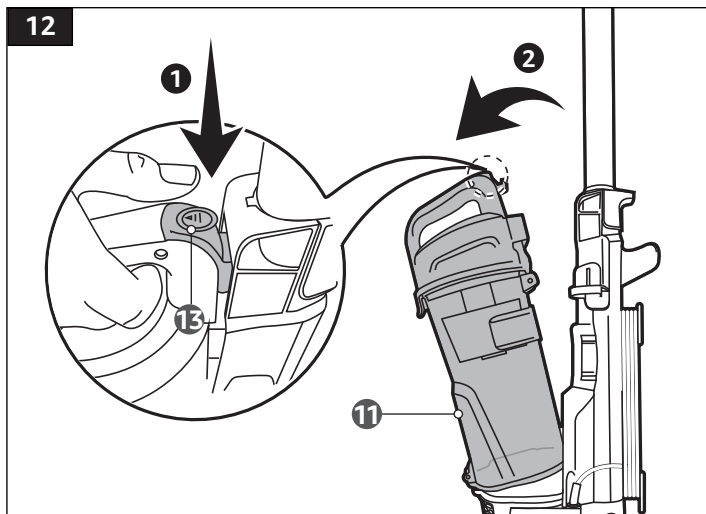
8.1 Cleaning

- ▶ To clean the appliance, wipe with a soft, slightly damp cloth.
- ▶ Wipe the appliance dry after cleaning.
- ▶ Never use corrosive detergents, wire brushes, abrasive scourers, metal or sharp utensils to clean the appliance.

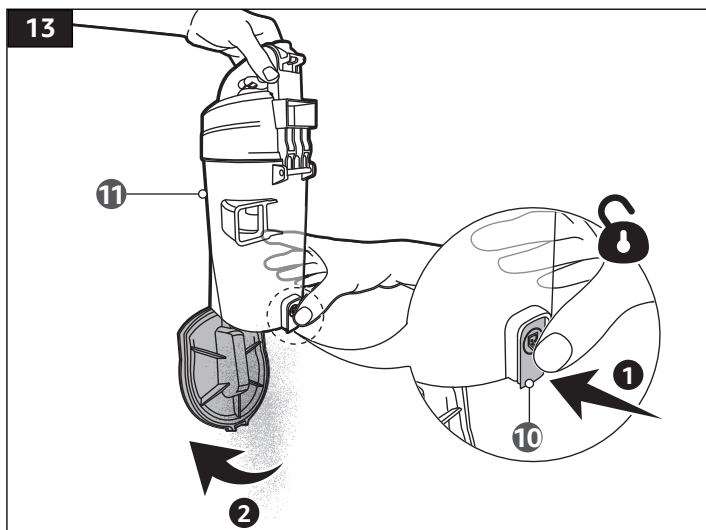
8.1.1 Emptying the dust container

NOTICE Regularly empty the dust container (11) to avoid damage to the appliance. Do not let dust or debris build up beyond maximum capacity.

1. Press the dust container release button (13) to detach the dust container (11) (Fig. 12).



2. Hold the dust container (11) over a trash bin and press the dust container empty button (10) to empty the container (Fig. 13).



3. Close the dust container lid until it clicks into place.
4. Align the dust container (11) with the dust container release button (13) and push until the container clicks into place.

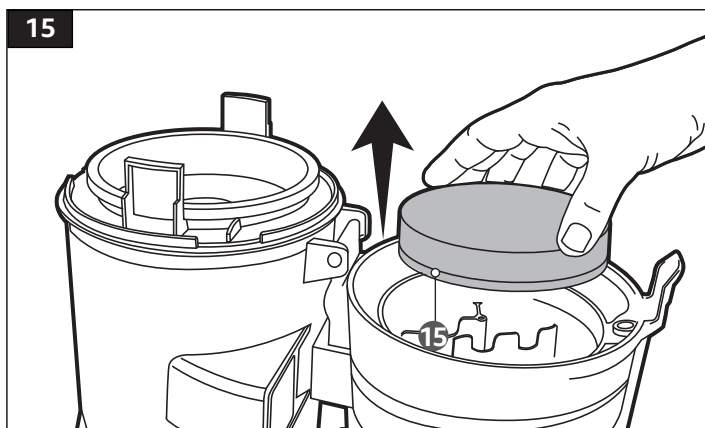
8.1.2 Cleaning the dust container filter

NOTICE It is recommended to clean the foam filter (15) when it is visibly dirty. It may require more frequent cleaning if vacuuming fine dust.

1. Lift the dust container filter lid (Fig. 14).



2. Pull the foam filter (15) from the lid (Fig. 15).



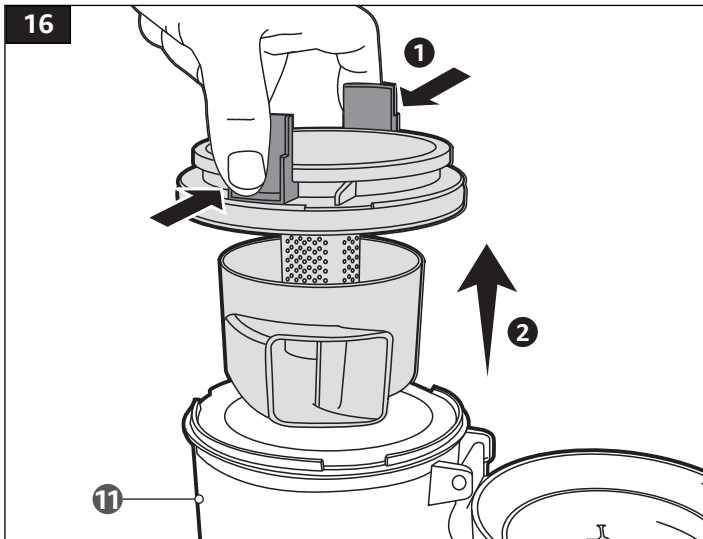
3. Rinse the foam filter (15) with warm water to wash away dust buildup and residue.
4. Allow at least 24 hours for the foam filter (15) to dry completely.
5. Place the foam filter (15) back into the dust container filter lid.

8.1.3 Cleaning the cyclone (cyclone filter and inlet cup)

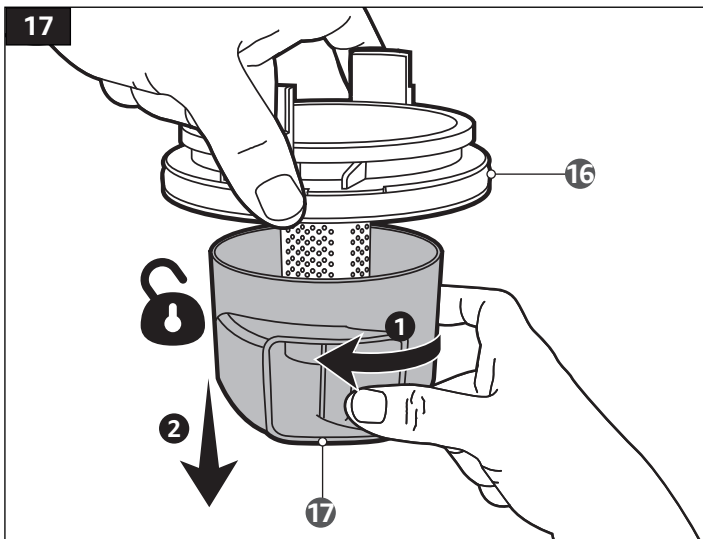
NOTICE It is recommended to clean the cyclone filter (16) when it is visibly dirty or clogged. It may require more frequent cleaning if vacuuming fine dust.

1. Lift the dust container filter lid (Fig. 13).

2. Squeeze the tabs to pull the cyclone from the dust container (11) (Fig. 16).



3. Twist the inlet cup (17) to separate it from the cyclone filter (16) (Fig. 17).



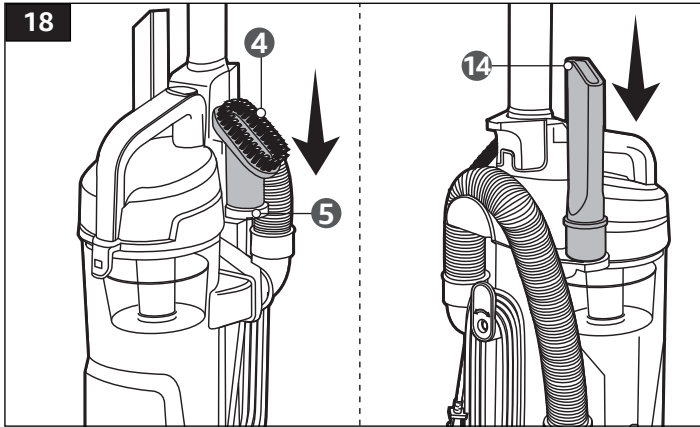
4. Remove dirt and debris from the cyclone filter (16) and inlet cup (17). Rinse if necessary.
5. After rinsing, let the cyclone filter (16) and inlet cup (17) dry completely.
6. Realign the cyclone filter (16) with the inlet cup (17). Twist to lock.
7. Refit the cyclone into the dust container (11). Align the cyclone with the lip of the dust container (11) then push down.

8.2 Storage

- Store the appliance in its original packaging in a dry area. Keep away from children and pets.

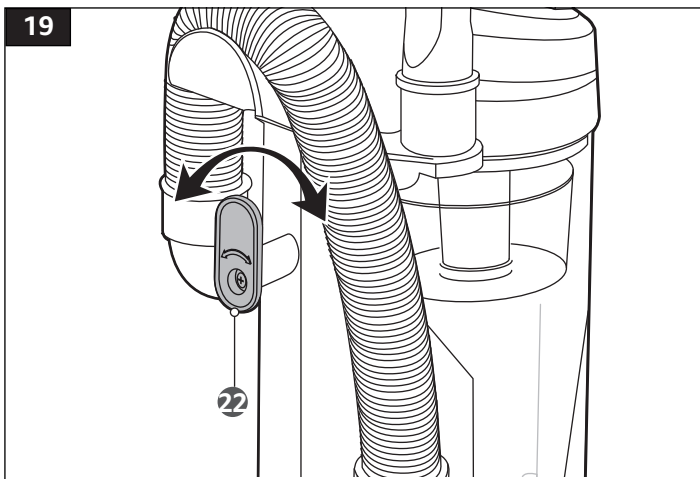
8.2.1 Accessories storage

Place the crevice tool (14) and dusting brush (4) onto the accessory holder (5) on either side of the appliance (Fig. 18).



8.2.2 Cord storage

1. Turn the upper cord storage hook (22) to its upright position (Fig. 19).



2. Wrap the power cord (21) around the lower cord storage hook (20) and upper cord storage hook (22).

8.2.3 Checking for clogs

⚠ WARNING Risk of electric shock!

Switch off the appliance and disconnect the plug before checking for clogs.

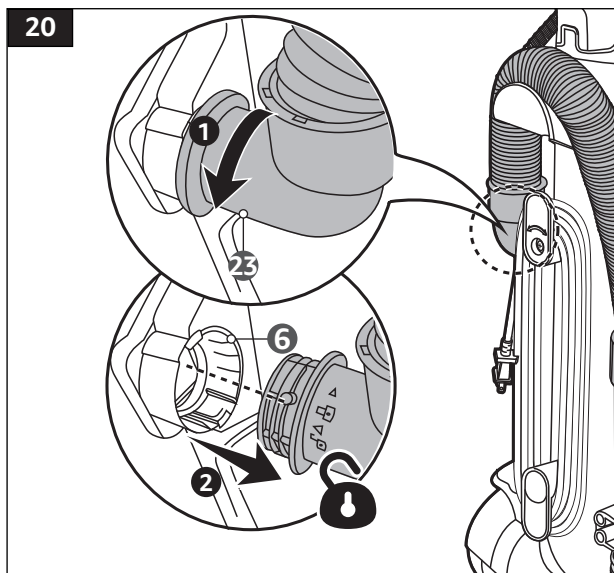
⚠ CAUTION Risk of injury!

Clogs or obstructions may contain sharp objects. Remove with care.

NOTICE Tools required: screwdriver

Clogged hose (filter port)

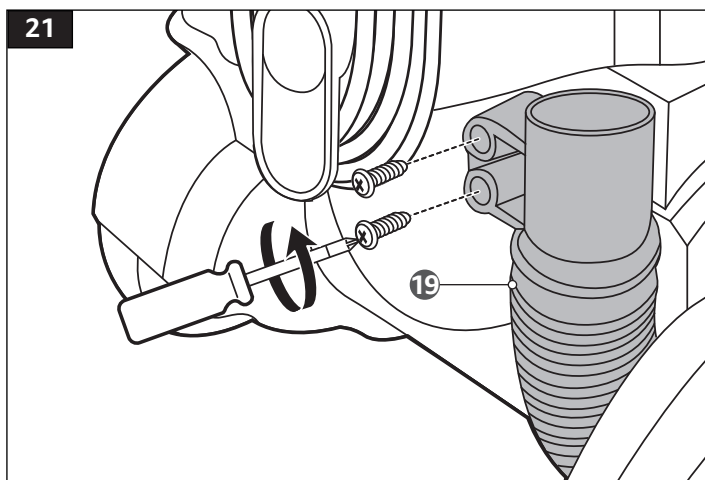
1. Detach the angled end of the flexible hose (23) from the filter port (6) (Fig. 20).



2. Remove any obstructions.
3. Refit the angled end of the flexible hose (23) into the filter port (6).

Clogged hose (suction port)

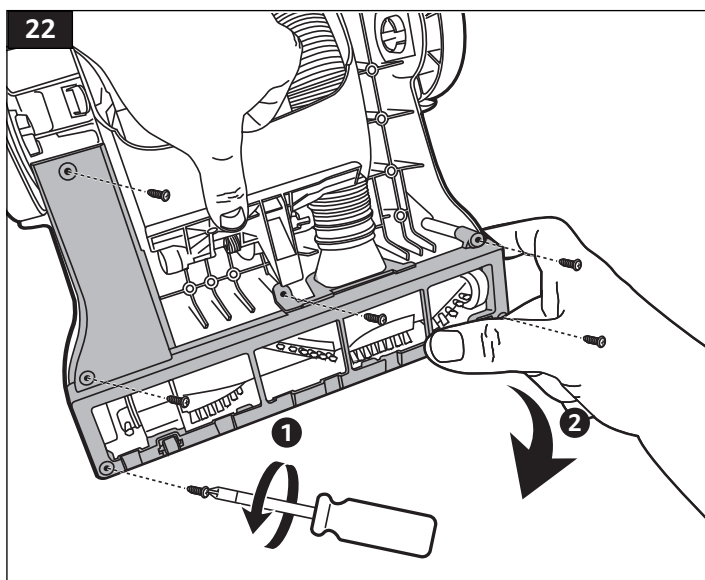
1. Detach the hose handle (18) from the suction port (19) (Fig. 5).
2. Unscrew the suction port (19) (Fig. 21).



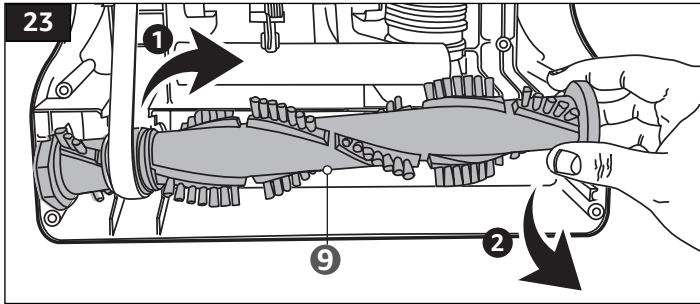
3. Remove any obstructions.
4. Refit the suction port (19) and the hose handle (18).

Clogged brush roll

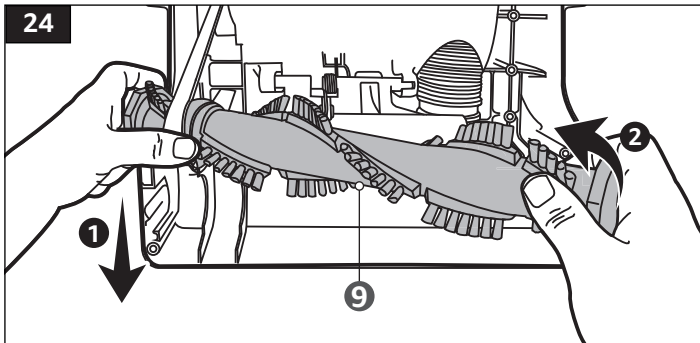
1. Flip the appliance frontside down with the brush roll (9) facing outwards.
2. Unscrew the base plate to detach it from the brush cover (Fig. 22).



3. Grab both ends of the brush roll (9) and pull it out from the drive belt (Fig. 23).



4. Remove any string, hair, carpet fiber or other obstructions.
 5. Reposition the brush roll (9) on the drive belt and push the brush roll (9) into the brush cover (Fig. 24).



6. Rotate the brush roll (9) a few times to make sure it aligns with the drive belt.
 7. Refit the base plate onto the brush cover.

8.3 Maintenance

- ▶ Any other servicing than mentioned in this manual should be performed by a professional repair center.
- ▶ Switch off and unplug the appliance before performing maintenance.

9. Frequently Asked Questions

Problem	Solution
The appliance does not switch on.	<p>Check if the plug is connected to the socket outlet. Use voltage tester to verify if the socket outlet is powered.</p>
The suction power is weak.	<ul style="list-style-type: none"> ▶ The dust container (11) is full. Empty the dust container (11). ▶ Detach and clean the foam filter (15) or cyclone filter (16) and inlet cup (17). ▶ Make sure the flexible hose (23) is fitted securely at both ends. ▶ Make sure the dust container (11) is fully inserted and dust container release button (13) is pushed in completely. ▶ Check if the flexible hose (23), extension wand (3), or other accessories are obstructed. To remove the obstruction, see Chapter Cleaning. ▶ Check if the flexible hose (23) is punctured or damaged. Contact a professional repair center for inspection and repair.
Motor is abnormally noisy.	<ul style="list-style-type: none"> ▶ Stop using the appliance if the noise persists. ▶ The brush roll (9) may be clogged or tangled. For cleaning, see Chapter Cleaning. ▶ The drive belt is worn out. Contact a professional repair center for inspection and repair. ▶ Check if the flexible hose (23), extension wand (3), or other accessories are obstructed. To remove the obstruction, see Chapter Cleaning. ▶ Contact a professional repair center for inspection and repair.

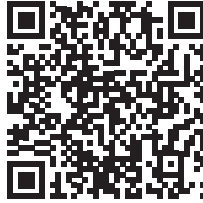
10. Specifications

Model number	VUS29AE1B
Rated voltage	120 V AC, 60 Hz
Rated current	6 A
Dust container capacity	max. 7.2 cups (1.7 L)
Cord length	18' (5.5 m)
Suction power	70 W, 12 kPa
Net weight	approx. 8.4 lbs (3.8 kg)
Dimensions (W x H x D)	approx. 11.4 x 41.3 x 11.9" (28.9 x 104.9 x 30.2 cm)

11. Feedback and Help

We would love to hear your feedback. To ensure we are providing the best customer experience possible, please consider writing a customer review.

Scan QR Code below with your phone camera or QR reader:



If you need help with your Amazon Basics product, please use the website or number below.



amazon.com/gp/help/customer/contact-us



+1 877-485-0385

Table des Matières

1. Consignes de Sécurité Importantes	23
1.1 Instructions relatives à la polarisation	24
2. Utilisation Prévue	24
3. Description de l'Appareil	25
4. Description des Accessoires	26
5. Avant la Première Utilisation	26
6. Montage	27
7. Utilisation	28
7.1 Mise sous/hors tension	28
7.2 Utilisation de l'appareil	28
7.3 Utilisation des accessoires	29
7.4 Utilisation du tube de rallonge	30
8. Nettoyage, Rangement et Entretien	32
8.1 Nettoyage	32
8.2 Rangement	36
8.3 Entretien	39
9. Foire Aux Questions	40
10. Caractéristiques	41
11. Vos Avis et Aide	41

1. CONSIGNES DE SÉCURITÉ IMPORTANTES



Veillez lire attentivement les présentes instructions et les conserver afin de pouvoir vous y référer ultérieurement. En cas de cession de cet appareil à un tiers, les présentes instructions doivent également y être jointes.

Lorsque vous utilisez des appareils électriques, il convient de toujours respecter les consignes de sécurité élémentaires suivantes :

VEUILLEZ LIRE L'INTÉGRALITÉ DES CONSIGNES AVANT D'UTILISER CET APPAREIL



AVERTISSEMENT

Risques d'incendie et

d'électrocution ou de blessures!

Afin de réduire tout risque d'incendie, d'électrocution ou de blessures : Ne pas laisser l'appareil lorsqu'il est branché. Débranchez-le de la prise de courant lorsque vous ne l'utilisez pas et avant d'effectuer dessus tous travaux de réparation ou d'entretien.



AVERTISSEMENT

Risques d'électrocution!

Afin de réduire tout risque d'électrocution, ne pas l'utiliser à l'extérieur, ni sur des surfaces humides.

- Ne pas autoriser l'utilisation de l'appareil en guise de jouet. Il convient d'exercer une étroite surveillance lorsque l'appareil est utilisé par des enfants ou en présence de ceux-ci.
- Utilisez cet appareil exclusivement ainsi que décrit dans le présent manuel. Utilisez exclusivement des accessoires recommandés par le fabricant.
- Ne pas l'utiliser avec un cordon endommagé ou une fiche endommagée. En cas de dysfonctionnement de l'appareil, s'il est tombé, s'il a été endommagé, s'il est resté à l'extérieur ou s'il est tombé dans de l'eau, retournez-le dans un centre de services.
- Ne pas tirer ni porter l'appareil à l'aide du cordon. Ne pas utiliser celui-ci en guise de poignée ou pour fermer une porte, ni l'enrouler autour de bords coupants ou d'arêtes vives. Ne pas faire passer l'appareil par dessus le cordon. Maintenez le cordon à l'écart des surfaces chaudes.
- Ne pas débrancher en tirant sur le cordon. Pour débrancher, saisissez la fiche, pas le cordon.
- Ne pas manipuler la fiche ou l'appareil avec les mains mouillées.
- N'insérer aucun objet dans les ouvertures. Ne pas utiliser l'appareil si des ouvertures sont obstruées. Faites en sorte que celles-ci soient exemptes de poussières, de peluches, de cheveux ou de poils et de tout autre élément susceptible de réduire la circulation de l'air.
- Maintenez vos cheveux, vêtements amples, doigts et toutes parties du corps à l'écart des orifices et des pièces mobiles.
- Désactivez toutes les commandes avant débranchement.

- ▶ Faites particulièrement preuve de vigilance lorsque vous effectuez des travaux de nettoyage dans les escaliers.
- ▶ Ne pas utiliser cet appareil pour ramasser des liquides inflammables ou combustibles, notamment de l'essence, ni l'utiliser dans des endroits où ceux-ci peuvent être présents.
- ▶ Ne pas utiliser cet appareil pour récupérer des objets en combustion ou fumants, notamment cigarettes, allumettes ou cendres chaudes.
- ▶ Ne pas utiliser cet appareil sans le bac à poussière et/ou des filtres en place.

Instructions de Sécurité Complémentaires pour le Canada

- ▶ L'utilisation de cet appareil n'est pas destinée aux personnes (y compris les enfants) présentant des capacités physiques, sensorielles ou mentales réduites ou manquant d'expérience et de connaissances, à moins qu'elles ne soient surveillées ou n'aient reçu les instructions concernant l'utilisation de l'appareil par une personne responsable de leur sécurité.
- ▶ Les enfants doivent être surveillés afin de s'assurer qu'ils ne jouent pas avec l'appareil.
- ▶ En cas d'endommagement du cordon d'alimentation, veuillez en confier le remplacement au fabricant, à son service de réparation ou à une personne possédant les mêmes qualifications, afin de prévenir tout risque.

1.1 Instructions relatives à la polarisation

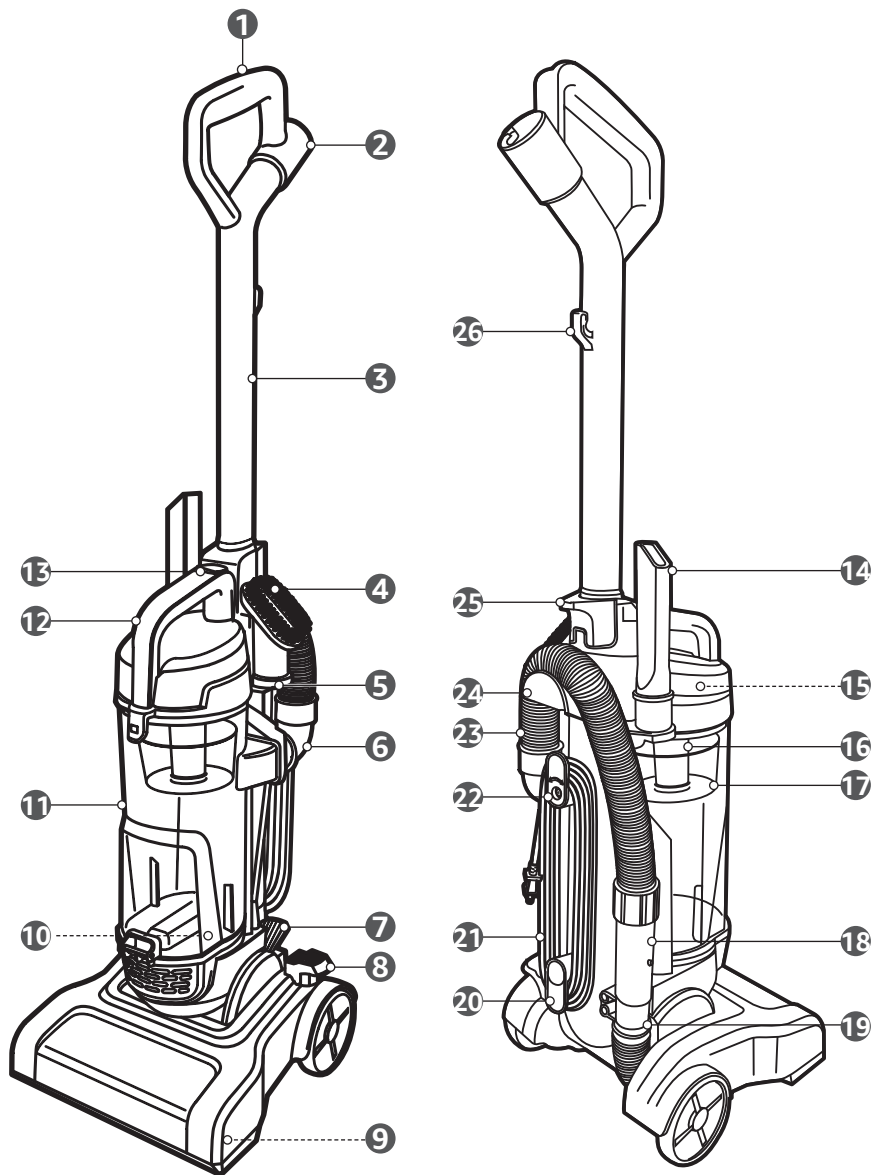
Afin de réduire tout risque d'électrocution, cet appareil comporte une fiche polarisée (une lame est plus large que l'autre). Il n'existe qu'une seule façon d'insérer la fiche dans une prise polarisée. Si la fiche ne s'insère pas entièrement dans la prise, inversez-la. Si la fiche ne s'insère toujours pas correctement, contactez un électricien qualifié afin qu'il installe une prise de courant adaptée. Ne pas modifier la fiche de quelque façon que ce soit.

CONSERVEZ LES PRÉSENTES INSTRUCTIONS

2. Utilisation Prévüe



- ▶ Cet appareil est conçu pour aspirer poussière, peluches et saletés en général sur les surfaces souples ou dures. Ne pas l'utiliser pour aspiration de cendres, d'objets tranchants, p. ex., du verre, ou pour aspiration de liquides ou de toutes autres substances inflammables.
- ▶ Cet appareil est conçu pour un usage domestique exclusivement.
- ▶ Cet appareil est conçu pour être utilisé exclusivement dans des endroits secs à l'intérieur.

3. Description de l'Appareil



- | | |
|--|---|
| 1 Manche | 14 Suceur plat |
| 2 Orifice du tube de rallonge | 15 Filtre en mousse |
| 3 Tube de rallonge | 16 Filtre cyclone |
| 4 Brosse à épousseter | 17 Coupelle d'admission |
| 5 Porte-accessoires | 18 Poignée du tuyau |
| 6 Orifice du filtre | 19 Orifice d'aspiration |
| 7 Commutateur d'alimentation à pédale | 20 Crochet inférieur de rangement du cordon |
| 8 Pédale d'inclinaison de l'aspirateur | 21 Cordon d'alimentation |
| 9 Brosse à rouleau | 22 Crochet supérieur de rangement du cordon |
| 10 Bouton de vidange du bac à poussière | 23 Tuyau flexible |
| 11 Bac à poussière | 24 Collier de serrage |
| 12 Poignée de transport | 25 Dégagement du tube de rallonge |
| 13 Bouton de dégagement du bac à poussière | 26 Bride du cordon |

4. Description des Accessoires

- | | | |
|-----------------------|---|--|
| 4 Brosse à épousseter |  | Approprié pour dépoussiérer meubles, plans de travail, stores et bouches d'aération. |
| 14 Suceur plat |  | Adapté aux zones difficiles à atteindre, notamment derrière les meubles et entre les interstices et les coins. |

5. Avant la Première Utilisation

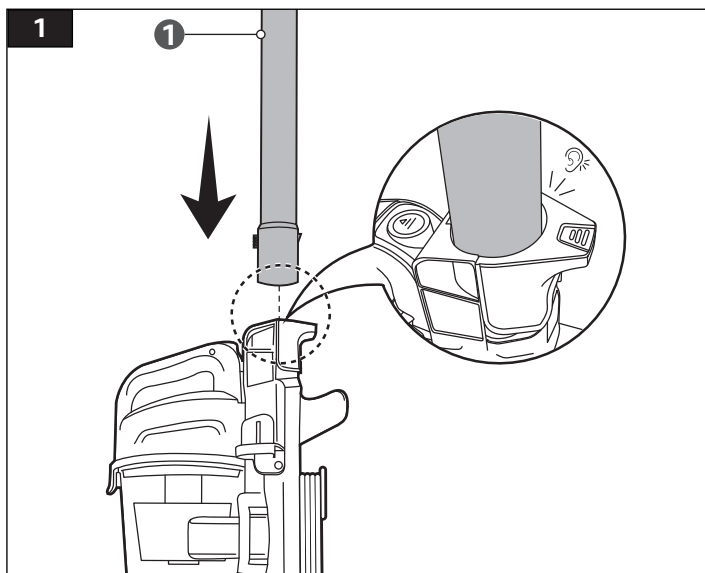
⚠ DANGER Risques d'étouffement!

Conservez tous les matériaux d'emballage hors de la portée des enfants et des animaux familiers : ces matériaux constituent une source de danger potentiel, p. ex. étouffement.

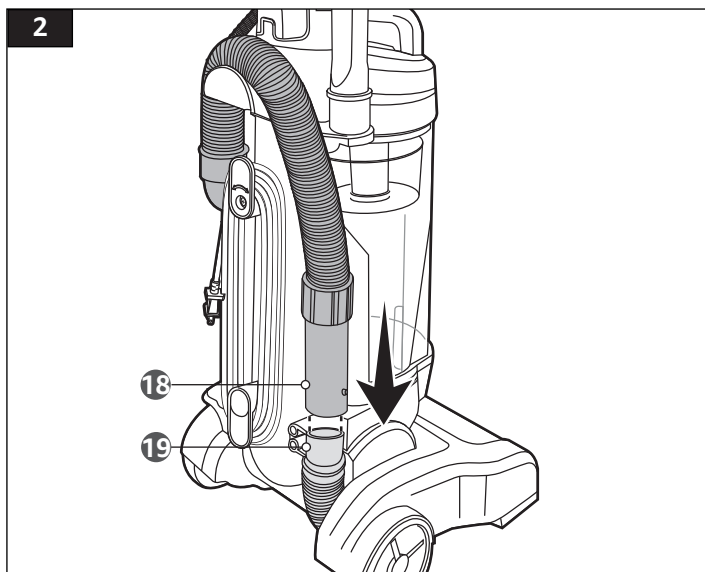
- Retirez-en tous les matériaux d'emballage.
- Assurez-vous que l'appareil n'a pas été endommagé pendant le transport.
- Avant de brancher l'appareil à la source d'alimentation électrique, assurez-vous que la tension de la source d'alimentation électrique et la tension nominale correspondent aux spécifications d'alimentation figurant sur la plaque signalétique de l'appareil.

6. Montage

1. Insérez le manche (1) dans le corps de l'appareil (ill. 1) jusqu'à ce qu'il s'enclenche.



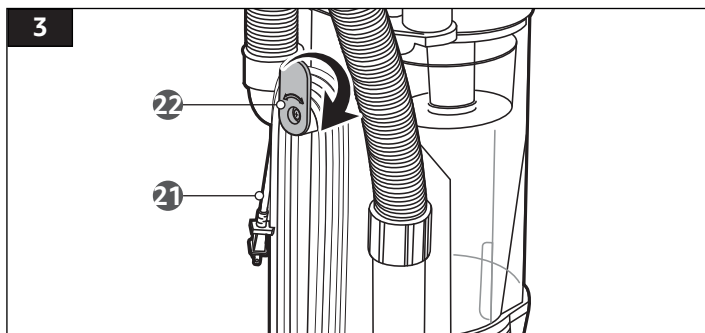
2. Raccordez la poignée du tuyau (18) à l'orifice d'aspiration (19) (ill. 2).



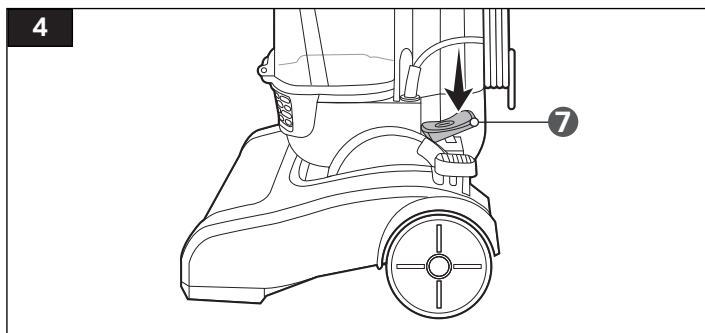
7. Utilisation

7.1 Mise sous/hors tension

1. Tournez le crochet supérieur de rangement du cordon (22) pour dégager le cordon d'alimentation (21), puis branchez la fiche à une prise de courant appropriée (ill. 3).



2. Pour mettre sous tension l'appareil, appuyez une fois sur le commutateur d'alimentation à pédale (7) (ill. 4).



3. Pour mettre hors tension l'appareil, appuyez une fois sur le commutateur d'alimentation à pédale (7) (ill. 4).

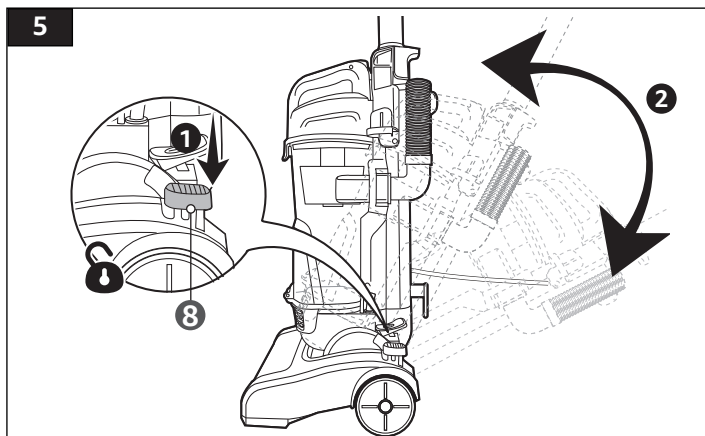
7.2 Utilisation de l'appareil

REMARQUE Assurez-vous que le bac à poussière (11), les filtres et les accessoires sont correctement installés avant toute utilisation.

1. Tournez le crochet supérieur de rangement du cordon (22) pour dégager le cordon d'alimentation (21), puis branchez la fiche à une prise de courant appropriée (ill. 3).
2. Accrochez le cordon d'alimentation (21) sur la bride du cordon (26) afin d'éviter de trébucher dessus.

- Appuyez sur la pédale d'inclinaison de l'aspirateur (8) de votre pied afin de régler la position de l'appareil pour aspiration ordinaire de planchers ou pour aspiration basse portée (ill. 5).

REMARQUE L'angle de l'appareil ne se verrouille pas en place. Il peut être réglé à volonté lorsque la pédale d'inclinaison de l'aspirateur (8) est déverrouillée.

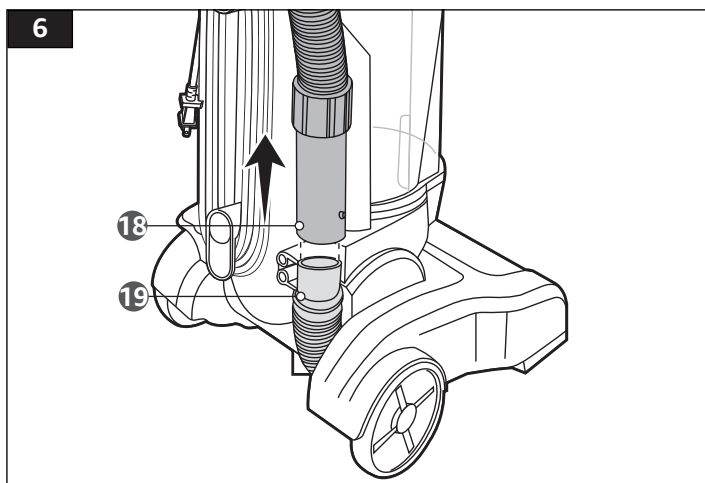


- Après aspiration, mettez hors tension l'appareil.
- Pour remettre l'appareil à la verticale, poussez le manche (1) vers l'avant jusqu'à ce que la pédale d'inclinaison de l'aspirateur (8) s'enclenche.

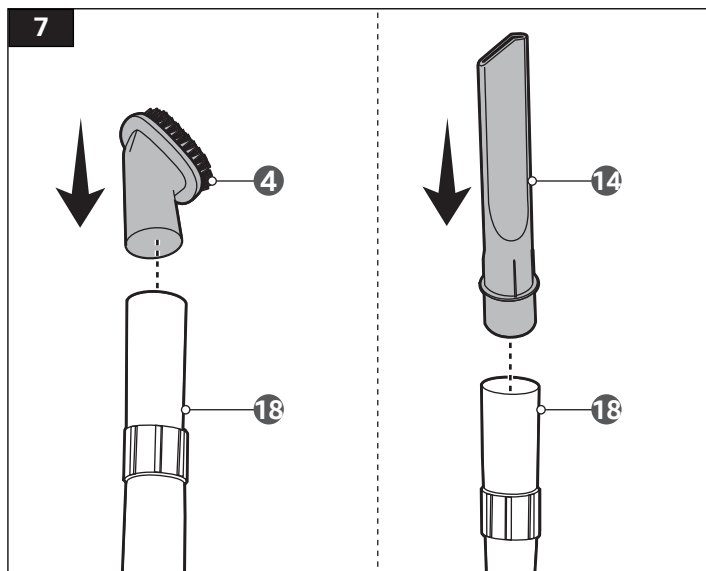
7.3 Utilisation des accessoires

REMARQUE Mettez hors tension l'appareil, puis débranchez la fiche avant de fixer tous accessoires.

- Détachez la poignée du tuyau (18) de l'orifice d'aspiration (19) (ill. 6).



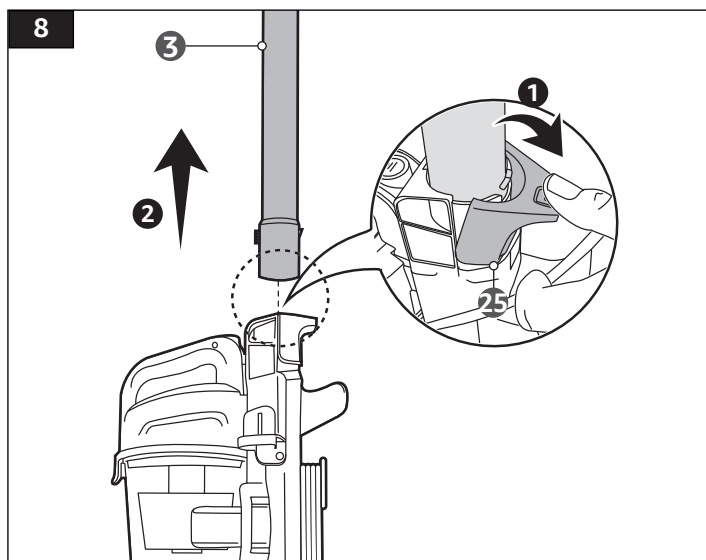
2. Insérez le suceur plat (14) ou la brosse à épousseter (4) dans la poignée du tuyau (18) (ill. 7).



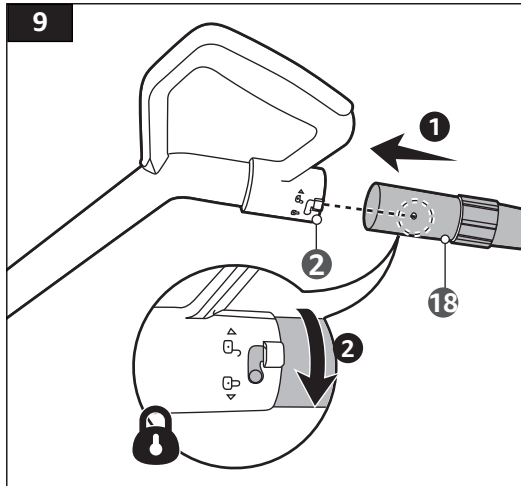
3. Utilisez l'appareil en fonction de l'accessoire qui est installé.

7.4 Utilisation du tube de rallonge

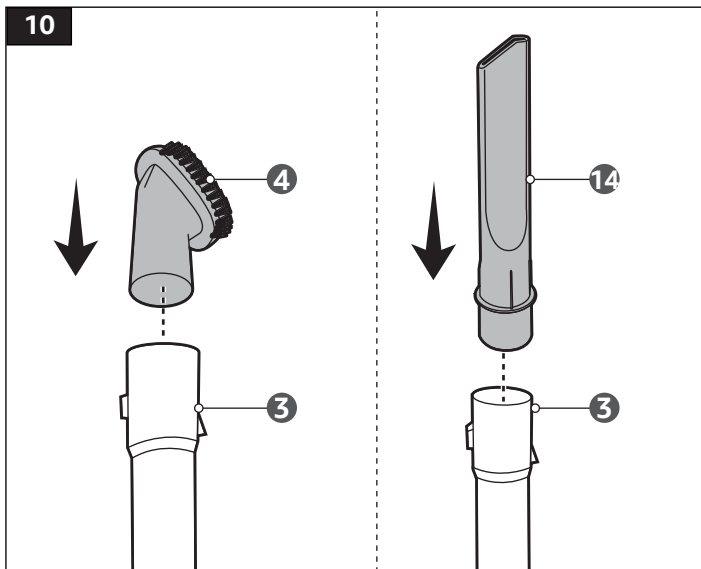
1. Détachez la poignée du tuyau (18) de l'orifice d'aspiration (19) (ill. 6).
2. Appuyez sur le bouton de dégagement du tube de rallonge (25), puis retirez le tube de rallonge (3) (ill. 8).



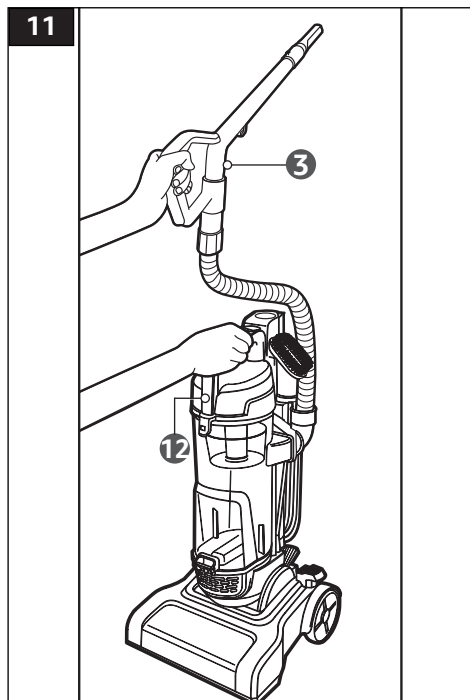
3. Placez la poignée du tuyau (18) dans l'orifice du tube de rallonge (2), puis tournez la poignée du tuyau (18) jusqu'à ce qu'elle se verrouille en place (ill. 9).



4. Insérez le suceur plat (14) ou la brosse à épousseter (4) dans le tube de rallonge (3) (ill. 10).



5. Portez l'appareil par la poignée de transport (12) et utilisez le tube de rallonge (3) avec l'accessoire monté au besoin (ill. 11).



8. Nettoyage, Rangement et Entretien

⚠ AVERTISSEMENT Risques d'électrocution!

- ▶ Afin de prévenir tout risque d'électrocution, débranchez l'appareil avant de procéder à son nettoyage.
- ▶ Pendant le nettoyage, ne pas plonger les pièces électriques de l'appareil dans l'eau ou dans tout autre liquide. Ne jamais exposer l'appareil à l'eau courante.
- ▶ Ne pas tenter de réparer l'appareil par vous-même. En cas de dysfonctionnement, les réparations doivent être effectuées exclusivement par du personnel qualifié.

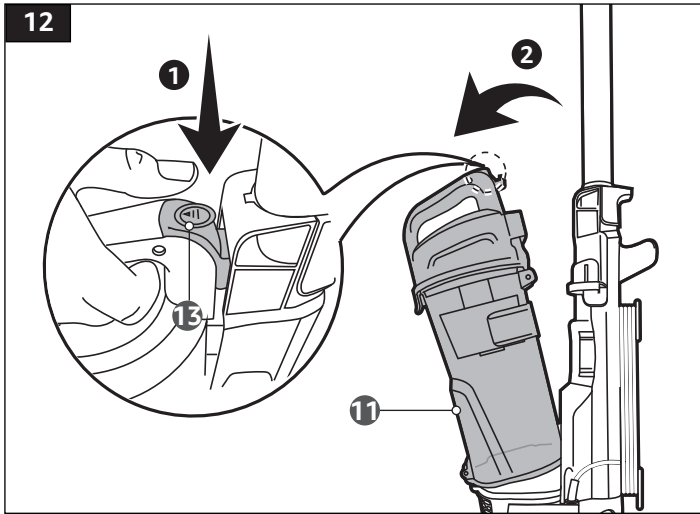
8.1 Nettoyage

- ▶ Pour nettoyer l'appareil, essuyez-le à l'aide d'un chiffon doux légèrement humide.
- ▶ Essuyez l'appareil après nettoyage.
- ▶ Ne jamais utiliser de détergents corrosifs, de brosses métalliques, de tampons à récurer abrasifs, d'ustensiles métalliques ou tranchants pour nettoyer l'appareil.

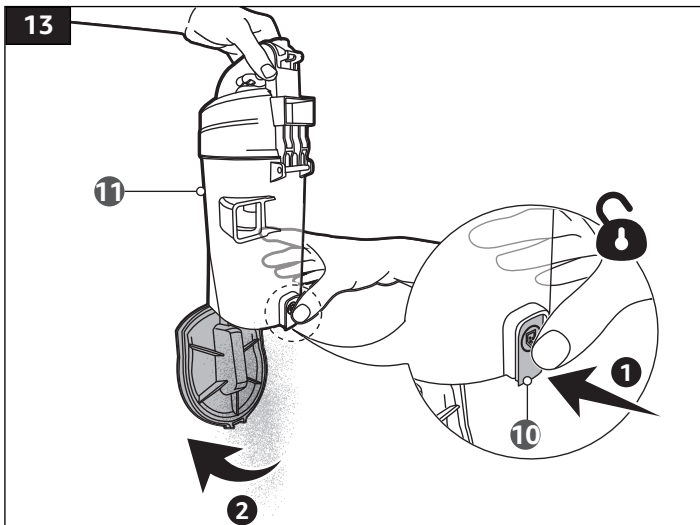
8.1.1 Vidange du bac à poussière

REMARQUE Videz régulièrement le bac à poussière (11) afin d'éviter d'endommager l'appareil. Ne pas laisser la poussière ou les débris s'accumuler au-delà de la capacité maximale.

1. Appuyez sur le bouton de dégagement du bac à poussière (13) afin de détacher le bac à poussière (11) (ill. 12).



2. Tenez le bac à poussière (11) au-dessus d'une poubelle, puis appuyez sur le bouton de vidange du bac à poussière (10) afin de vider le bac (ill. 13).



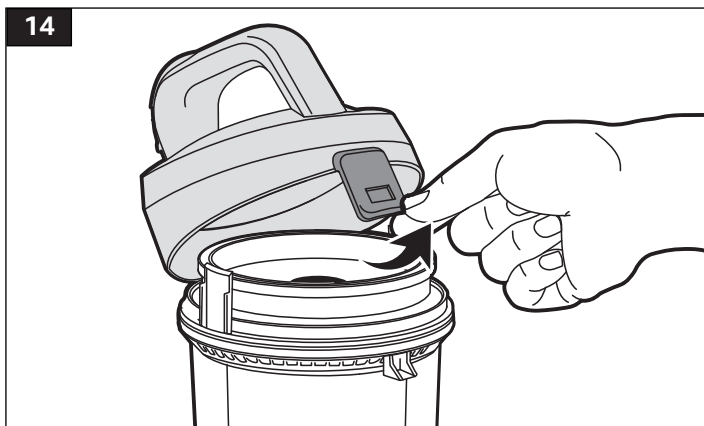
3. Fermez le couvercle du bac à poussière jusqu'à ce qu'il s'enclenche en place.

- Alignez le bac à poussière (11) sur le bouton de dégagement du bac à poussière (13), puis appuyez dessus jusqu'à ce que le bac s'enclenche en place.

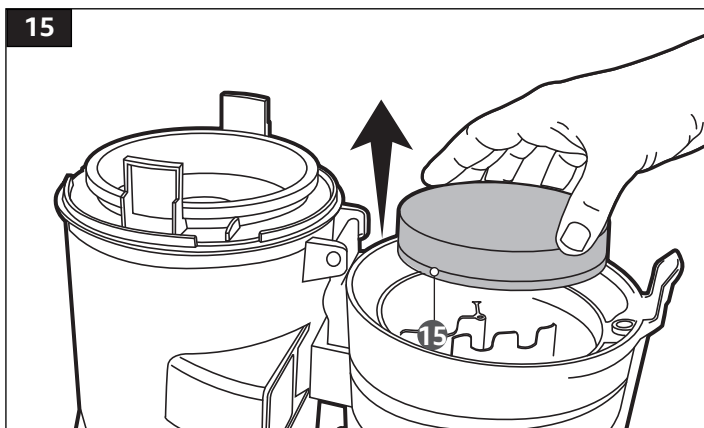
8.1.2 Nettoyage du filtre du bac à poussière

REMARQUE Nous vous recommandons de nettoyer le filtre en mousse (15) lorsqu'il devient visiblement sale. Un nettoyage plus fréquent peut s'avérer nécessaire en cas d'aspiration de poussières fines.

- Soulevez le couvercle du logement du filtre du bac à poussière (ill. 14).



- Retirez le filtre en mousse (15) du couvercle (ill. 15).

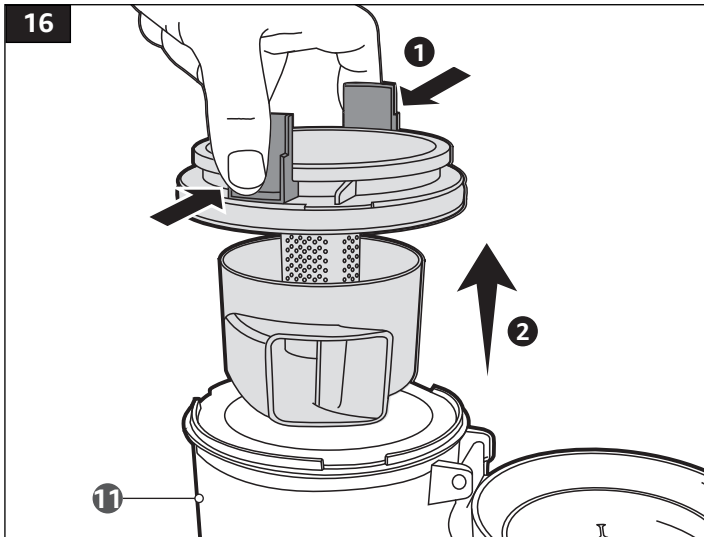


- Rincez le filtre en mousse (15) à l'eau tiède pour en éliminer toutes accumulations de poussière et tous résidus.
- Laissez sécher entièrement le filtre en mousse (15) pendant au-moins 24 heures.
- Remplacez le filtre en mousse (15) dans le couvercle du logement du filtre du bac à poussière.

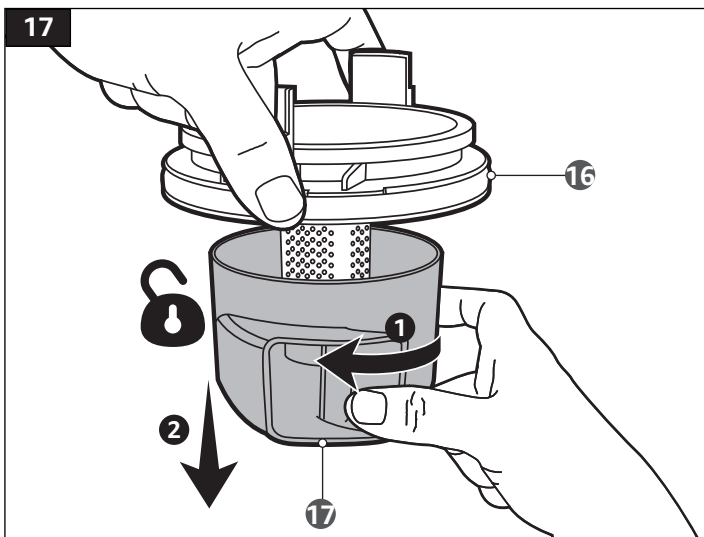
8.1.3 Nettoyage du cyclone (filtre cyclone et coupelle d'admission)

REMARQUE Nous vous recommandons de nettoyer le filtre cyclone (16) lorsqu'il devient visiblement sale ou présente des obstructions. Un nettoyage plus fréquent peut s'avérer nécessaire en cas d'aspiration de poussières fines.

1. Soulevez le couvercle du logement du filtre du bac à poussière (ill. 13).
2. Pincez les languettes pour retirer le cyclone du bac à poussière (11) (ill. 16).



3. Faites pivoter la coupelle d'admission (17) pour la séparer du filtre cyclone (16) (ill. 17).



4. Éliminez toutes les saletés et tous les débris du filtre cyclone (16) et de la coupelle d'admission (17). Rincez-les au besoin.

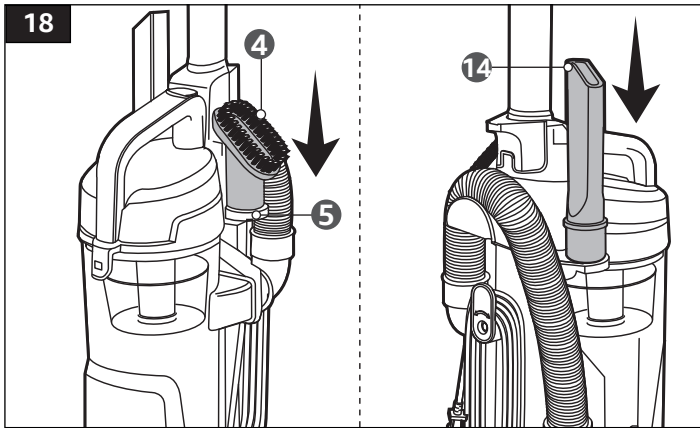
5. Après rinçage, laissez sécher entièrement le filtre cyclone (16) et la coupelle d'admission (17).
6. Réalignez le filtre cyclone (16) sur la coupelle d'admission (17). Faites-le pivoter pour le verrouiller.
7. Remplacez le cyclone dans le bac à poussière (11). Alignez le cyclone sur la lèvres du bac à poussière (11) puis appuyez dessus.

8.2 Rangement

- Rangez l'appareil dans son emballage d'origine et dans un endroit sec. Gardez-la hors de portée des enfants et des animaux familiers.

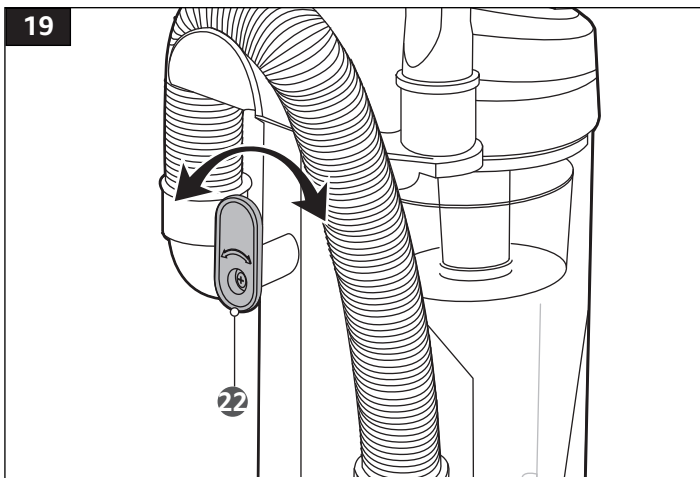
8.2.1 Rangement des accessoires

Placez le suceur plat (14) et la brosse à épousseter (4) sur le porte-accessoires (5) de chaque côté de l'appareil (ill. 18).



8.2.2 Rangement du cordon

1. Tournez le crochet supérieur de rangement du cordon (22) pour le positionner à la verticale (ill. 19).



- Enroulez le cordon d'alimentation (21) autour du crochet inférieur de rangement du cordon (20) et du crochet supérieur de rangement du cordon (22).

8.2.3 Vérification visant à détecter des encrassements éventuels

⚠ AVERTISSEMENT Risques d'électrocution!

Mettez hors tension l'appareil, puis débranchez la fiche avant de procéder à la vérification visant à détecter des encrassements éventuels.

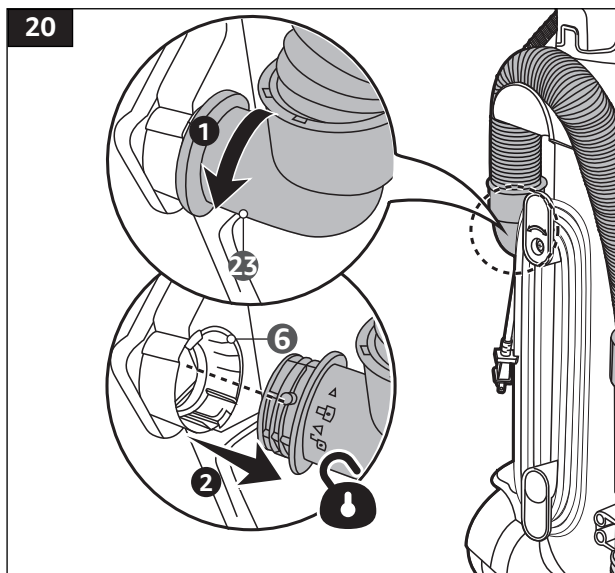
⚠ ATTENTION Risques de blessures!

Les encrassements ou les obstructions peuvent contenir des objets tranchants. Éliminez-les avec précaution.

REMARQUE Outils nécessaires : tournevis

Tuyau bouché (orifice du filtre)

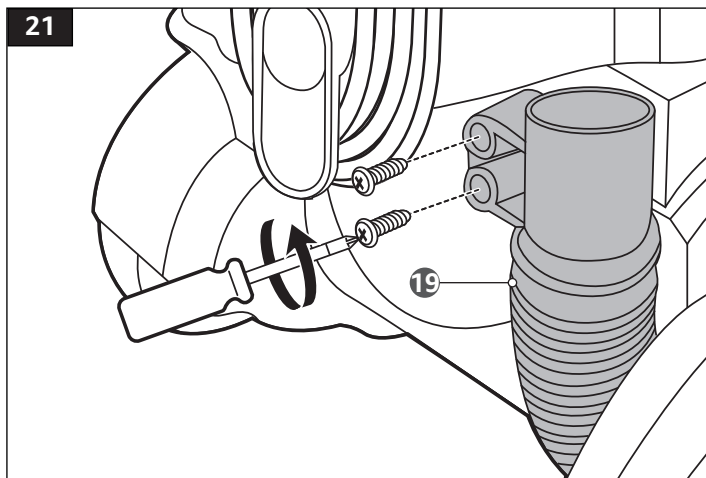
- Détachez l'extrémité biseautée du tuyau flexible (23) de l'orifice du filtre (6) (ill. 20).



- Éliminez toutes les obstructions.
- Remettez en place l'extrémité biseautée du tuyau flexible (23) dans l'orifice du filtre (6).

Tuyau bouché (orifice d'aspiration)

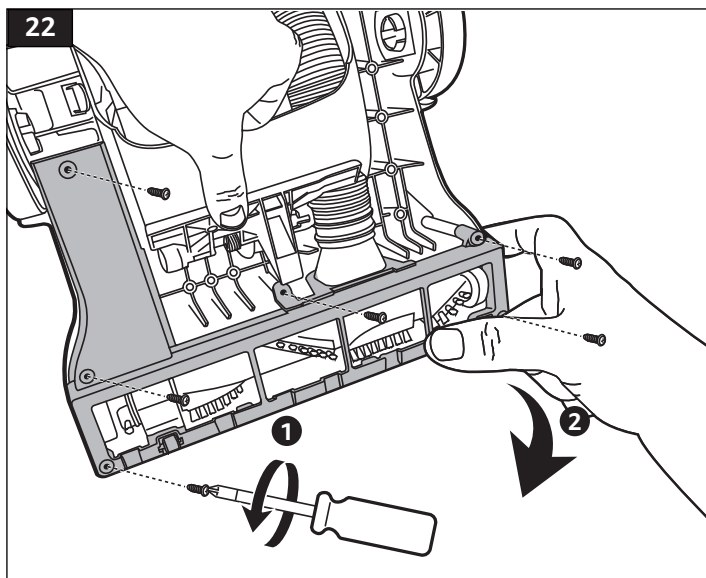
1. Détachez la poignée du tuyau (18) de l'orifice d'aspiration (19) (ill. 5).
2. Dévissez l'orifice d'aspiration (19) (ill. 21).



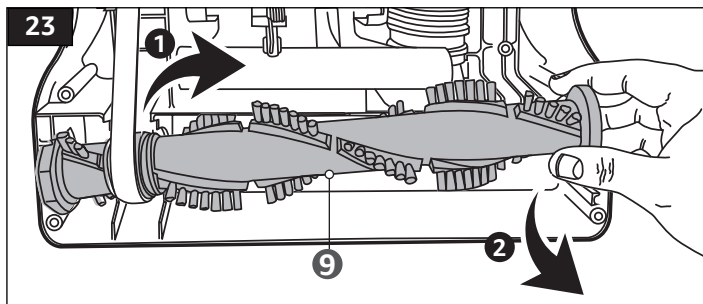
3. Éliminez toutes les obstructions.
4. Remettez en place l'orifice d'aspiration (19) et la poignée du tuyau (18).

Brosse à rouleau bouchée

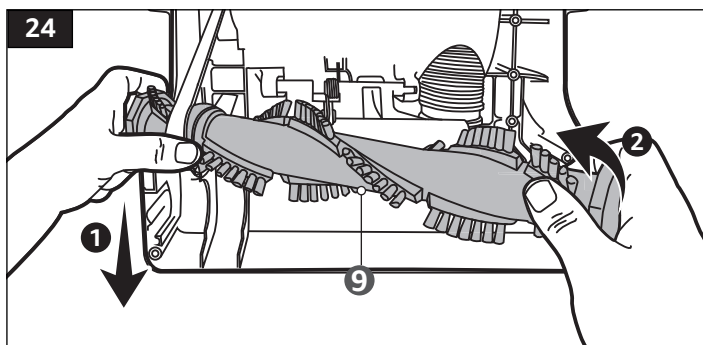
1. Retournez la face avant de l'appareil, la brosse à rouleau (9) étant orientée vers l'extérieur.
2. Dévissez la plaque de base afin de la détacher du cache brosse (ill. 22).



3. Saisissez les deux extrémités de la brosse à rouleau (9), puis tirez-la de la courroie d'entraînement (ill. 23).



4. Éliminez-en toutes les ficelles, tous poils ou cheveux, toutes fibres de tapis ou toutes autres obstructions.
5. Repositionnez la brosse à rouleau (9) sur la courroie d'entraînement, puis enfoncez la brosse à rouleau (9) dans le cache brosse (ill. 24).



6. Faites tourner la brosse à rouleau (9) à plusieurs reprises afin de vous assurer qu'elle est alignée sur la courroie d'entraînement.
7. Remontez la plaque de base sur le cache brosse.

8.3 Entretien

- Tous travaux de réparation ou d'entretien autres que ceux mentionnés dans le présent manuel doivent être effectués dans un centre de réparation professionnel.
- Mettez hors tension, puis débranchez l'appareil avant de procéder à son entretien.

9. Foire Aux Questions

Problème	Solution
L'appareil ne se met pas en marche.	Assurez-vous que la fiche d'alimentation est branchée à la prise de courant. Utilisez un testeur de tension pour vérifier si la prise de courant est sous tension.
La puissance d'aspiration est faible.	<ul style="list-style-type: none"> ▶ Le bac à poussière (11) est plein. Videz le bac à poussière (11). ▶ Détachez, puis nettoyez le filtre en mousse (15) ou le filtre cyclone (16) ainsi que la coupelle d'admission (17). ▶ Assurez-vous que le tuyau flexible (23) est convenablement fixé aux deux extrémités. ▶ Assurez-vous que le bac à poussière (11) est inséré à fond et que le bouton de dégagement du bac à poussière (13) est enfoncé à fond. ▶ Vérifiez si le tuyau flexible (23), le tube de rallonge (3) ou d'autres accessoires sont obstrués. Pour procéder à l'élimination des obstructions, reportez-vous au chapitre Nettoyage. ▶ Vérifiez si le tuyau flexible (23) est perforé ou endommagé. Contactez un centre de réparation professionnel pour le faire examiner et réparer.
Le moteur est anormalement bruyant.	<ul style="list-style-type: none"> ▶ Cessez d'utiliser l'appareil si le bruit persiste. ▶ La brosse à rouleau (9) est peut-être bouchée ou emmêlée. Pour procéder au nettoyage, reportez-vous au chapitre Nettoyage. ▶ La courroie d'entraînement est usée. Contactez un centre de réparation professionnel pour le faire examiner et réparer. ▶ Vérifiez si le tuyau flexible (23), le tube de rallonge (3) ou d'autres accessoires sont obstrués. Pour procéder à l'élimination des obstructions, reportez-vous au chapitre Nettoyage. ▶ Contactez un centre de réparation professionnel pour le faire examiner et réparer.

10. Caractéristiques

Référence du modèle	VUS29AE1B
Tension nominale	120 V CA, 60 Hz
Courant nominal	6 A
Capacité du bac à poussière	7,2 tasses (1,7 l) au max.
Longueur du cordon	18 pi (5,5 m)
Puissance d'aspiration	70 W, 12 kPa
Poids net	env. 8,4 lb (3,8 kg)
Dimensions (l x H x P)	env. 11,4 x 41,3 x 11,9 po (28,9 x 104,9 x 30,2 cm)

11. Vos Avis et Aide

Nous serions ravis de connaître votre avis. Afin de nous assurer de fournir la meilleure expérience client possible, veuillez considérer la rédaction d'un commentaire client.



amazon.com/review/review-your-purchases#

Si vous avez besoin d'assistance concernant votre produit Amazon Basics, veuillez consulter le site web suivant.



amazon.ca/gp/help/customer/contact-us

Tabla de contenido

1. Instrucciones de Seguridad Importantes	43
1.1 Instrucción de polarización	44
2. Uso previsto	44
3. Descripción del electrodoméstico	45
4. Descripción de los accesorios	46
5. Antes de Usar por Primera Vez	46
6. Armado	47
7. Funcionamiento	48
7.1 Encendido/apagado	48
7.2 Uso del electrodoméstico	48
7.3 Uso de accesorios	49
7.4 Uso de la vara de extensión	50
8. Limpieza, almacenamiento y mantenimiento	52
8.1 Limpieza	52
8.2 Almacenamiento	56
8.3 Mantenimiento	59
9. Preguntas Frecuentes	60
10. Especificaciones	61
11. Comentarios y Ayuda	61

1. INSTRUCCIONES DE SEGURIDAD IMPORTANTES



Lea atentamente estas instrucciones y guárdelas para usarlas más adelante. En caso de entregar este electrodoméstico a un tercero, también se deben incluir estas instrucciones.

Al usar electrodomésticos, se deben seguir siempre las precauciones de seguridad básicas, las cuales incluyen lo siguiente:

LEA TODAS LAS INSTRUCCIONES ANTES DE USAR ESTE ELECTRODOMÉSTICO



ADVERTENCIA

o lesiones!

¡Riesgo de incendio, descarga eléctrica

Para reducir el riesgo de incendio, descarga eléctrica o lesiones: No deje el electrodoméstico conectado, sino que desconéctelo del tomacorriente cuando no esté en uso y antes de repararlo.



ADVERTENCIA

¡Riesgo de descarga eléctrica!

Para reducir el riesgo de descarga eléctrica, no use el producto en exteriores ni sobre superficies mojadas.

- No lo use como juguete. Se debe prestar atención cada vez que el electrodoméstico sea usado por niños o cerca de ellos.
- Use sólo como se indica en este manual. Use solo los accesorios recomendados por el fabricante.
- No utilizar si el cable o enchufe están dañados. Si el electrodoméstico no funciona como debería, se ha caído, dañado, dejado en exteriores o caído al agua, llévelo a un centro de servicio.
- No tire ni transporte desde el cable, no use el cable como manilla, no cierre la puerta apretando el cable ni pase el cable sobre bordes afilados o esquinas. No haga funcionar el electrodoméstico sobre el cable. Mantenga el cable alejado de superficies calientes.
- No lo desenchufe al jalar el cable. Para desconectarlo, tire del enchufe, no del cable.
- No manipule el enchufe o electrodoméstico con las manos mojadas.
- No coloque objetos en las aberturas. No use con las aberturas bloqueadas; mantenga libre de polvo, pelusas, pelos y cualquier elemento que pueda reducir el flujo de aire.
- Mantenga el pelo, prendas sueltas, dedos y partes del cuerpo alejadas de las aberturas y piezas móviles.
- Apague todos los controles antes de desconectar.
- Tenga especial cuidado al limpiar en escaleras.
- No use para aspirar líquidos combustibles o inflamables, como gasolina, ni la use en áreas donde puedan estar presentes.
- No aspire nada que esté ardiendo o humeando, como cigarrillos, cerillos o cenizas calientes.

- ▶ No usar sin el depósito de polvo o filtros sin instalar.

Instrucciones de seguridad adicionales para Canadá

- ▶ Este electrodoméstico no está hecho para que lo usen personas (incluidos niños) con capacidades físicas, sensoriales o mentales reducidas, o bien que no posean la experiencia y conocimientos, a menos que estén supervisadas o hayan recibido instrucciones sobre el uso del electrodoméstico por parte de una persona responsable por su seguridad.
- ▶ Asegúrese de que los niños no jueguen con este electrodoméstico.
- ▶ Si el cable de alimentación está dañado, el fabricante, su agente de servicio, o una persona igualmente calificada deben reemplazarlo para así evitar peligros.

1.1 Instrucción de polarización

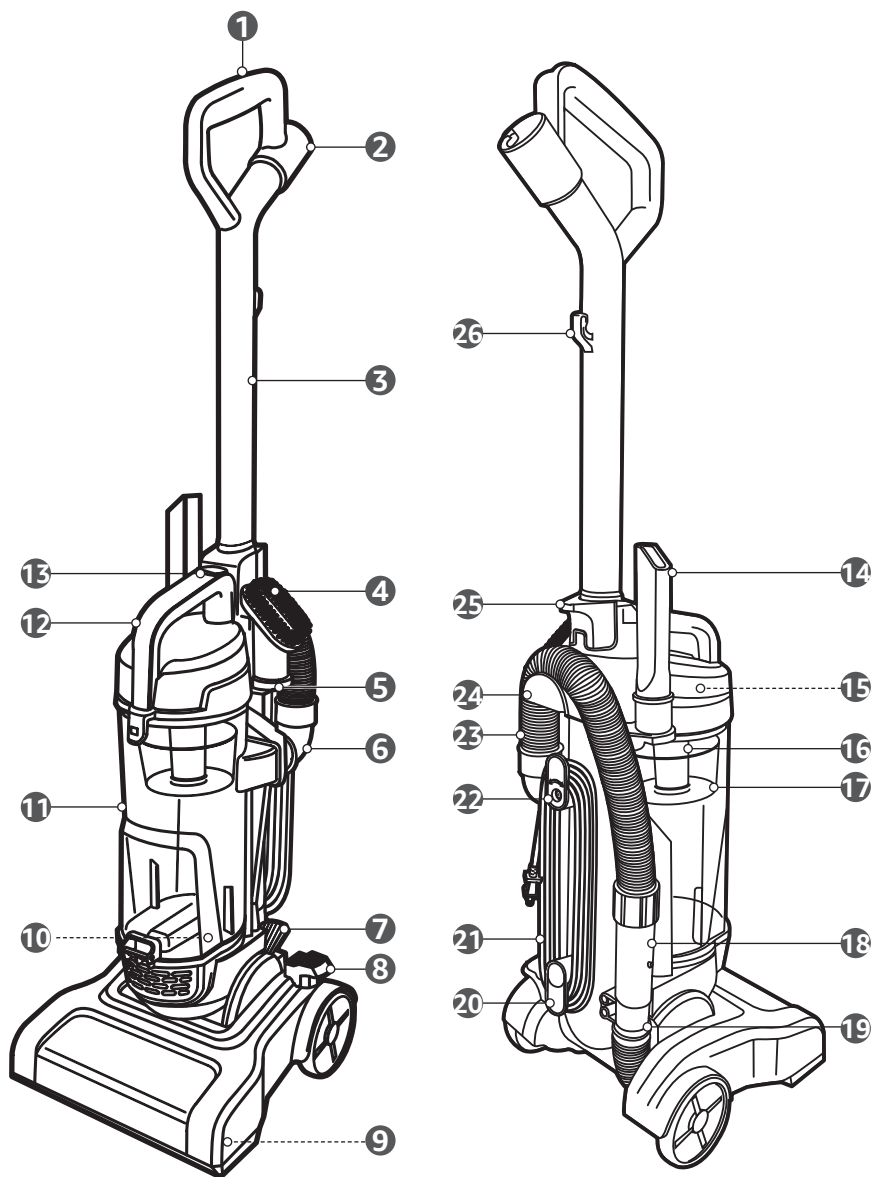
Para reducir el riesgo de descarga eléctrica, este electrodoméstico tiene un enchufe polarizado (una punta es más ancha que la otra). Este enchufe entra en tomacorriente polarizado solo de una manera. Si el enchufe no entra del todo en el tomacorriente, inviértalo. Si aún no calza, contacte a un electricista calificado para que instale el tomacorriente adecuado. No cambie el enchufe de ninguna forma.

GUARDE ESTAS INSTRUCCIONES

2. Uso previsto



- ▶ Este electrodoméstico está hecho para aspirar polvo, pelusas y suciedad general sobre superficies duras o suaves. No lo use para aspirar cenizas, objetos filosos, como vidrio, ni líquidos o sustancias inflamables.
- ▶ Este electrodoméstico está hecho solo para uso doméstico.
- ▶ Este electrodoméstico está hecho para usarse solo en áreas interiores secas.

3. Descripción del electrodoméstico



- | | |
|--|--|
| 1 Empuñadura | 14 Herramienta para hendiduras |
| 2 Puerto de la vara de extensión | 15 Filtro de espuma |
| 3 Vara de extensión | 16 Filtro de ciclón |
| 4 Cepillo para desempolvar | 17 Tazón de entrada |
| 5 Soporte para accesorios | 18 Empuñadura de la manguera |
| 6 Puerto del filtro | 19 Puerto de succión |
| 7 Pedal del interruptor de encendido | 20 Gancho de almacenamiento inferior del cable |
| 8 Pedal reclinator de la aspiradora | 21 Cable de corriente |
| 9 Cepillo de rodillo | 22 Gancho de almacenamiento superior del cable |
| 10 Botón de vaciado del depósito de polvo | 23 Manguera flexible |
| 11 Depósito de polvo | 24 Sujeción de la manguera |
| 12 Empuñadura de transporte | 25 Liberación de la vara de extensión |
| 13 Botón de liberación del depósito de polvo | 26 Sujeción del cable |

4. Descripción de los accesorios

- | | | |
|--------------------------------|---|--|
| 4 Cepillo para desempolvar |  | Apto para quitar el polvo de muebles, encimeras, persianas y conductos de aire. |
| 14 Herramienta para hendiduras |  | Apta para zonas difíciles de alcanzar, como detrás de muebles y entre hendiduras y esquinas. |

5. Antes de Usar por Primera Vez

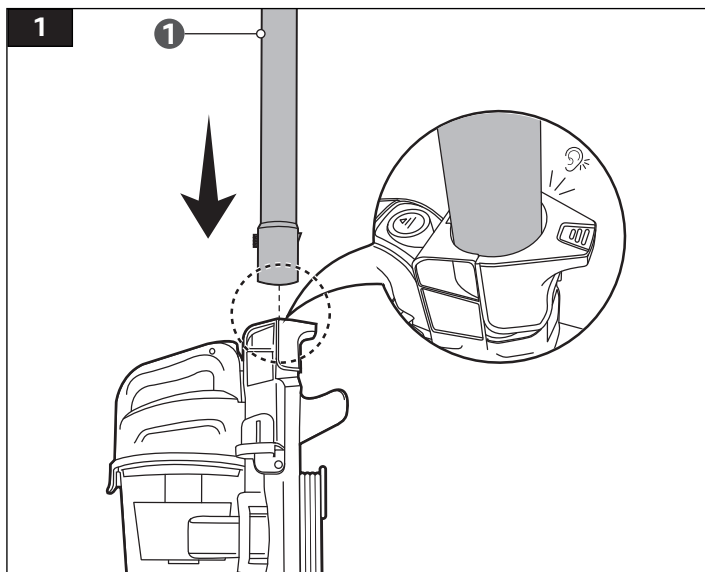
▲ PELIGRO ¡Riesgo de asfixia!

Mantenga los materiales de empaque lejos de los niños y mascotas, ya que estos materiales son una posible fuente de peligro (p. ej. por asfixia).

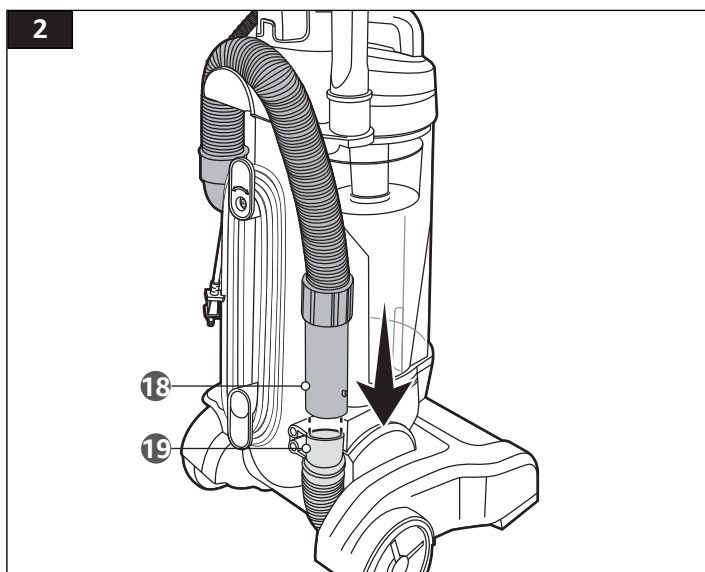
- ▶ Saque todos los materiales del empaque.
- ▶ Revise que el electrodoméstico no tenga daños por transporte.
- ▶ Antes de conectar el electrodoméstico a una toma de corriente, revise que el voltaje eléctrico y la clasificación de la corriente del lugar se correspondan con los que aparecen en la etiqueta de información del electrodoméstico.

6. Armado

1. Inserte la empuñadura (1) en el cuerpo del electrodoméstico (Fig. 1) hasta que haga clic y calce en posición.



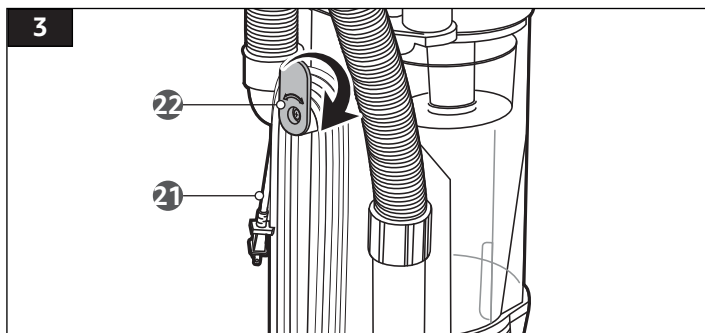
2. Conecte la empuñadura de la manguera (18) en el puerto de succión (19) (Fig. 2).



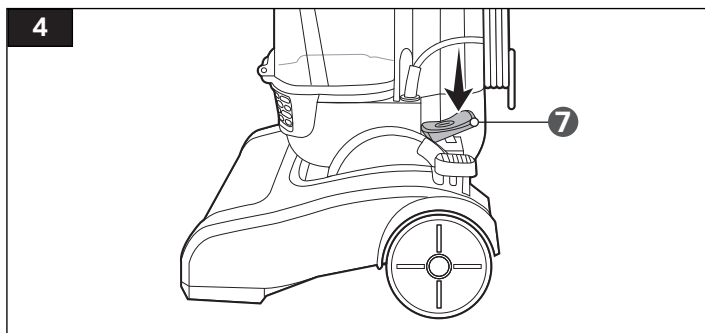
7. Funcionamiento

7.1 Encendido/apagado

1. Gire el gancho de almacenamiento superior del cable (22) para soltar el cable de corriente (21) y conecte el enchufe a una toma de corriente apta (Fig. 3).



2. Para encender el electrodoméstico, pise una vez el pedal del interruptor de encendido (7) (Fig. 4).



3. Para apagar el electrodoméstico, pise una vez el pedal del interruptor de encendido (7) (Fig. 4).

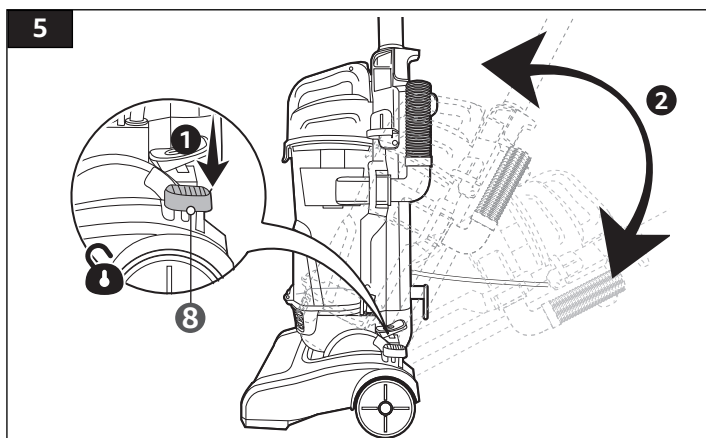
7.2 Uso del electrodoméstico

AVISO Asegúrese de que el depósito de polvo (11), filtros y accesorios estén instalados correctamente antes de usar.

1. Gire el gancho de almacenamiento superior del cable (22) para soltar el cable de corriente (21) y conecte el enchufe a una toma de corriente apta (Fig. 3).
2. Enganche el cable de corriente (21) en la sujeción del cable (26) para evitar tropezarse con él.

3. Pise el pedal reclinator de la aspiradora (8) con su pie para ajustar la posición de aspirado regular o para alcanzar zonas bajas (Fig. 5).

AVISO El ángulo del electrodoméstico no se bloquea en una posición. Se puede ajustar libremente una vez liberado el pedal reclinator de la aspiradora (8).

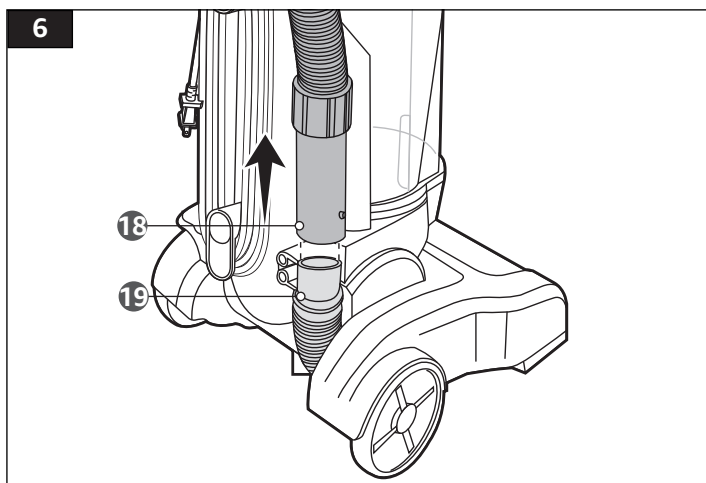


4. Después de aspirar, apague el electrodoméstico.
5. Para devolver el electrodoméstico a su posición vertical, empuje la empuñadura (1) hacia adelante hasta que el pedal reclinator de la aspiradora (8) haga clic y quede fijo.

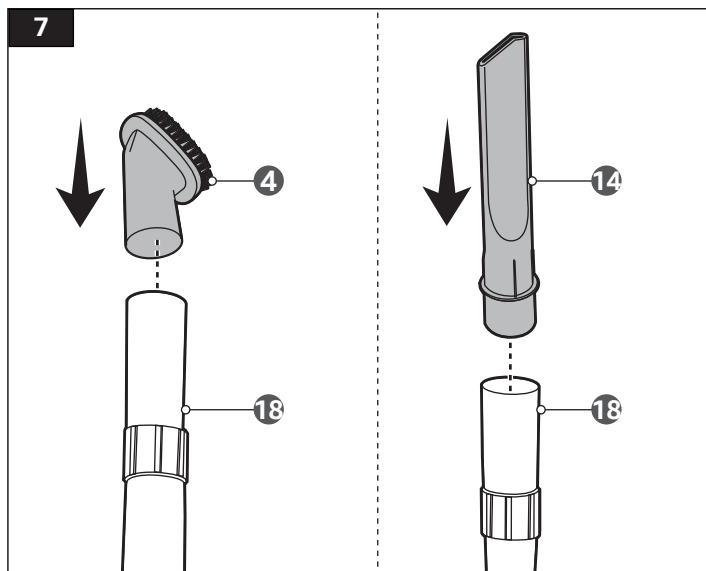
7.3 Uso de accesorios

AVISO Apague el electrodoméstico y desconecte el enchufe antes de instalar cualquier accesorio.

1. Suelte la empuñadura de la manguera (18) del puerto de succión (19) (Fig. 6).



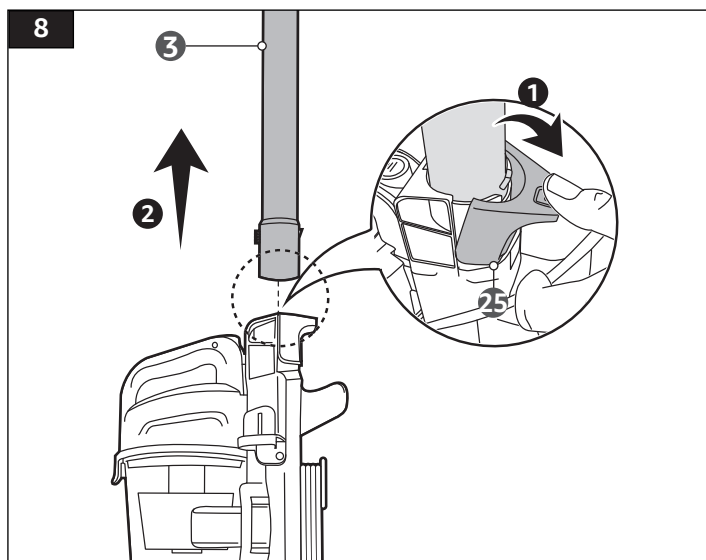
2. Inserte la herramienta para hendiduras (14) o el cepillo para desempolvar (4) en la empuñadura de la manguera (18) (Fig. 7).



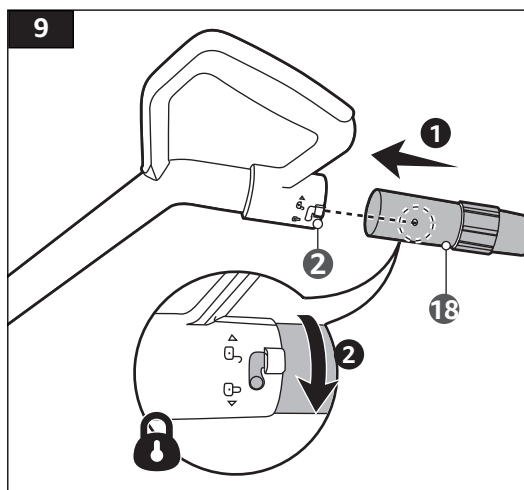
3. Use el electrodoméstico como corresponda según el accesorio que tenga instalado.

7.4 Uso de la vara de extensión

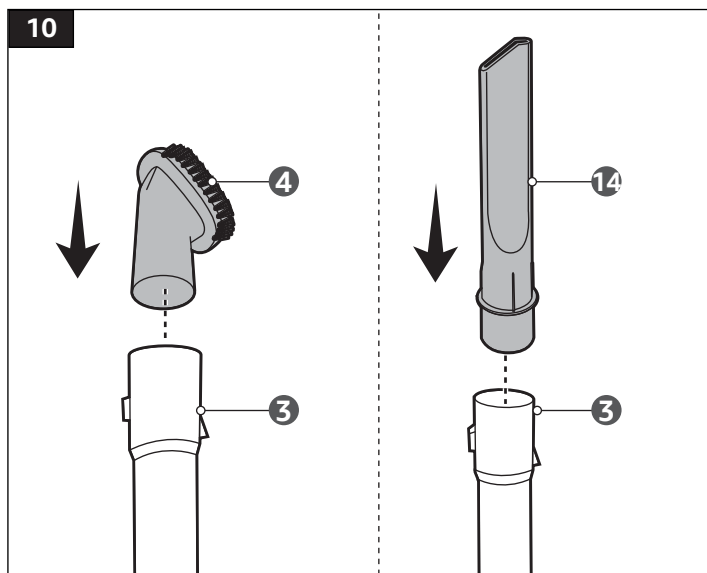
1. Suelte la empuñadura de la manguera (18) del puerto de succión (19) (Fig. 6).
2. Presione la liberación de la vara de extensión (25) y tire de la vara de extensión (3) hacia afuera (Fig. 8).



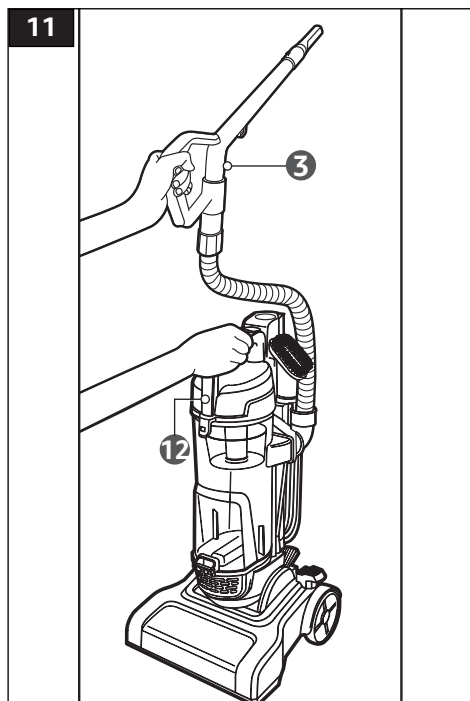
3. Coloque la empuñadura de la manguera (18) en el puerto de la vara de extensión (2) y gire la empuñadura de la manguera (18) hasta que quede bloqueada en posición (Fig. 9).



4. Inserte la herramienta para hendiduras (14) o el cepillo para desempolvar (4) en la vara de extensión (3) (Fig. 10).



5. Transporte el electrodoméstico usando la empuñadura de transporte (12) y use la vara de extensión (3) con el accesorio instalado que sea necesario (Fig. 11).



8. Limpieza, almacenamiento y mantenimiento

⚠ ADVERTENCIA ¡Riesgo de descarga eléctrica!

- ▶ Para evitar una descarga eléctrica, desconecte el electrodoméstico antes de limpiarlo.
- ▶ Durante la limpieza, no sumerja las piezas eléctricas del electrodoméstico en agua u otros líquidos. Jamás sostenga el electrodoméstico bajo el agua corriendo.
- ▶ No intente reparar el electrodoméstico por su propia cuenta. En caso de mal funcionamiento, las reparaciones deberá realizarlas únicamente personal calificado.

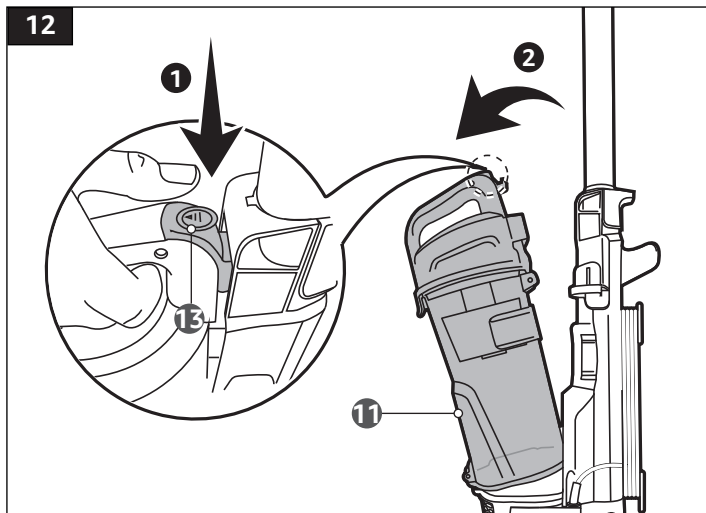
8.1 Limpieza

- ▶ Para limpiar el electrodoméstico, use un paño suave y levemente humedecido.
- ▶ Seque el electrodoméstico con un paño después de limpiarlo.
- ▶ Jamás use detergentes corrosivos, cepillos de alambre, escobillas abrasivas, ni utensilios metálicos o afilados para limpiar el electrodoméstico.

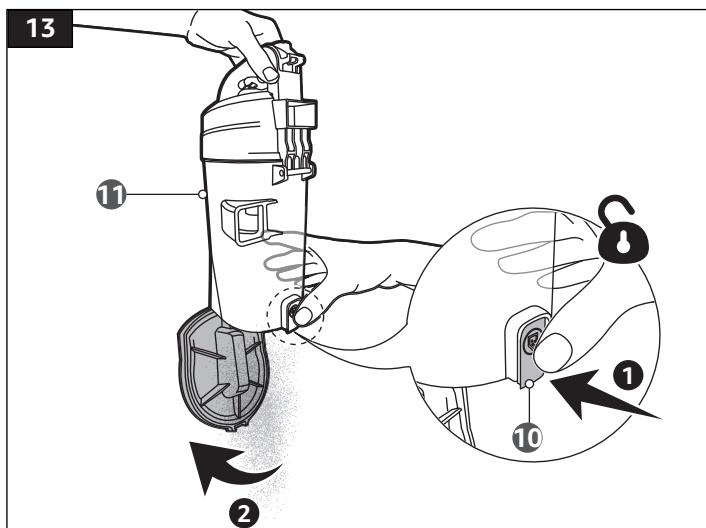
8.1.1 Vaciado del depósito de polvo

AVISO Vacíe regularmente el depósito de polvo (11) para evitar daños al electrodoméstico. No permite que el polvo o los sedimentos superen la capacidad máxima.

1. Presione el botón de liberación del depósito de polvo (13) para así extraer el depósito de polvo (11) (Fig. 12).



2. Sostenga el depósito de polvo (11) sobre un basurero y presione el botón de vaciado del depósito de polvo (10) para vaciarlo (Fig. 13).



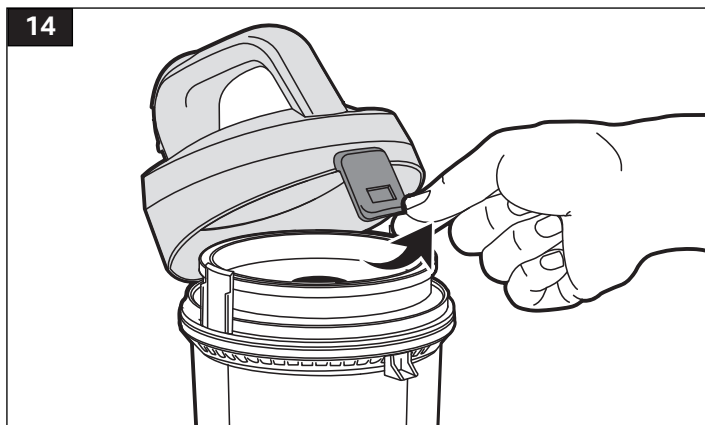
3. Cierre la tapa del depósito de polvo hasta que haga clic y quede fija.

4. Alinee el depósito de polvo (11) con el botón de liberación del depósito de polvo (13) y presione hasta que el depósito haga clic y quede fijo.

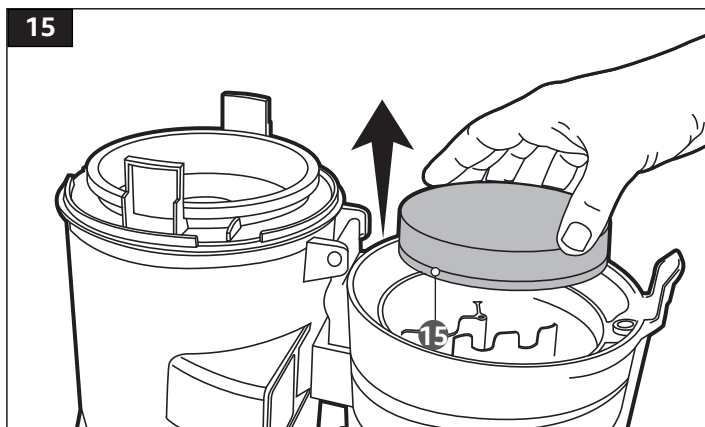
8.1.2 Limpieza del filtro del depósito de polvo

AVISO Se recomienda limpiar el filtro de espuma (15) cuando esté visiblemente sucia. En caso de aspirar polvo fino, podría ser necesario realizar una limpieza más frecuente.

1. Levante la tapa del filtro del depósito de polvo (Fig. 14).



2. Tire del filtro de espuma (15) desde la tapa (Fig. 15).

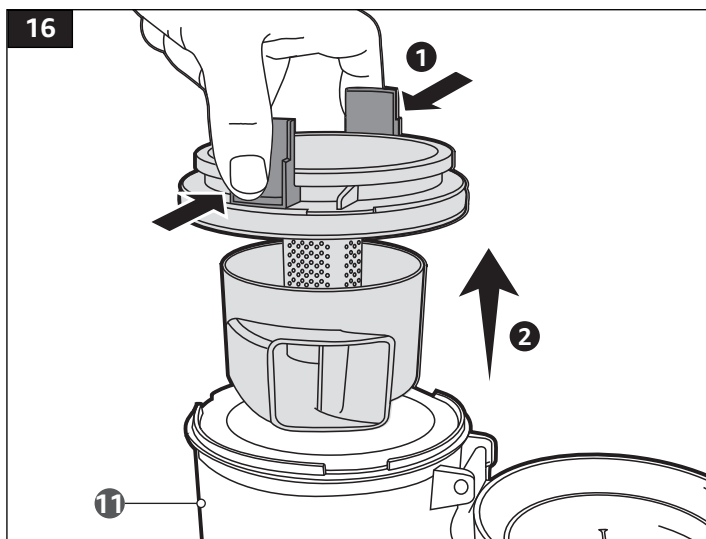


3. Enjuague el filtro de espuma (15) con agua tibia para quitar las acumulaciones de polvo y residuos.
4. Deje pasar al menos 24 horas para que el filtro de espuma (15) se seque por completo.
5. Coloque el filtro de espuma (15) nuevamente en la tapa del filtro del depósito de polvo.

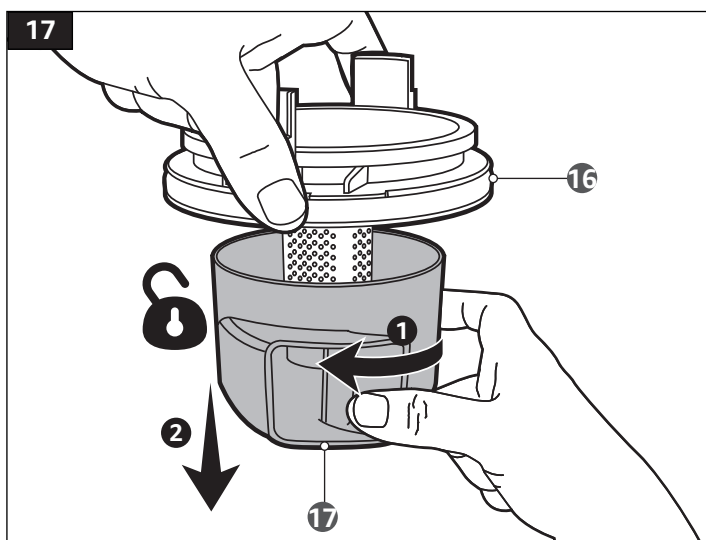
8.1.3 Limpieza del ciclón (filtro de ciclón y tazón de entrada)

AVISO Se recomienda limpiar el filtro de ciclón (16) cuando esté visiblemente sucio o tapado. En caso de aspirar polvo fino, podría ser necesario realizar una limpieza más frecuente.

1. Levante la tapa del filtro del depósito de polvo (Fig. 13).
2. Apriete las pestañas para sacar el ciclón del depósito de polvo (11) (Fig. 16).



3. Gire el tazón de entrada (17) para separarlo del filtro de ciclón (16) (Fig. 17).



4. Quite la suciedad y sedimentos del filtro de ciclón (16) y tazón de entrada (17). De ser necesario, enjuague.

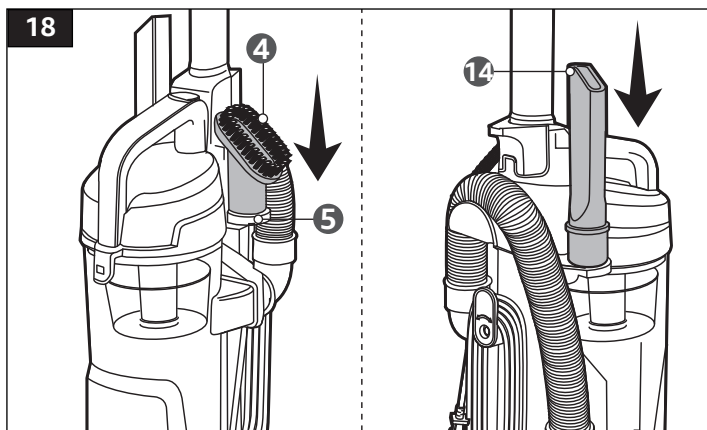
5. Después de enjuagar el filtro de ciclón (16) y el tazón de entrada (17), séquelos completamente.
6. Realinee el filtro de ciclón (16) con el tazón de entrada (17). Gire para bloquear.
7. Reinstale el ciclón en el depósito de polvo (11). Alinee el ciclón con el borde del depósito de polvo (11) y luego presiónelo.

8.2 Almacenamiento

- Almacene el electrodoméstico en su empaque original, en un área seca. Manténgala fuera del alcance de niños y animales domésticos.

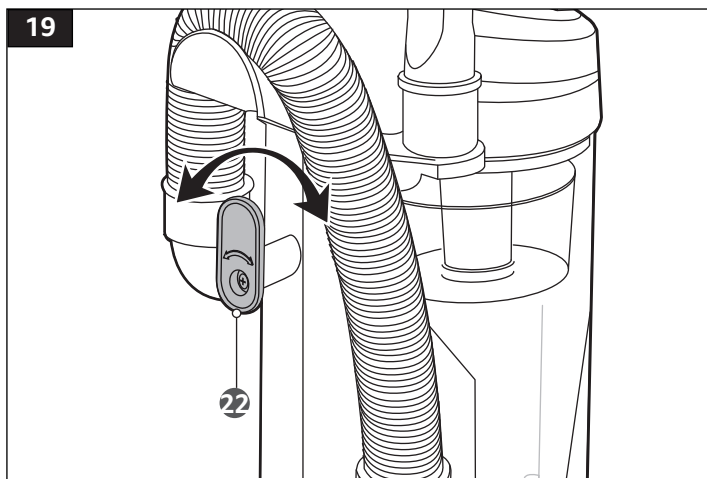
8.2.1 Almacenamiento de accesorios

Instale la herramienta para hendiduras (14) y el cepillo para desempolvar (4) en el soporte para accesorios (5) de cualquier lado del electrodoméstico (Fig. 18).



8.2.2 Almacenamiento del cable

1. Voltee el gancho de almacenamiento superior del cable (22) para dejarlo en posición vertical (Fig. 19).



2. Enrolle el cable de corriente (21) alrededor del gancho de almacenamiento inferior del cable (20) y gancho de almacenamiento superior del cable (22).

8.2.3 Inspección de obstrucciones

⚠ ADVERTENCIA ¡Riesgo de descarga eléctrica!

Apague el electrodoméstico y desconecte el enchufe antes de inspeccionar si hay obstrucciones.

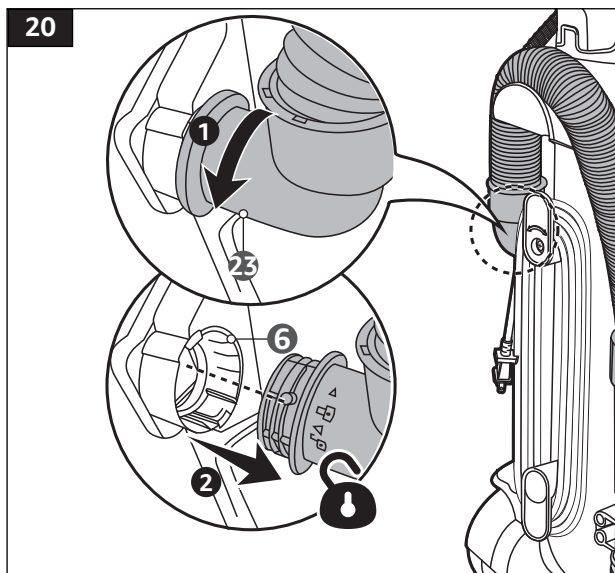
⚠ CUIDADO ¡Riesgo de lesiones!

Las obstrucciones pueden contener objetos afilados. Retírelas con cuidado.

AVISO Herramientas necesarias: destornillador

Manguera obstruida (puerto del filtro)

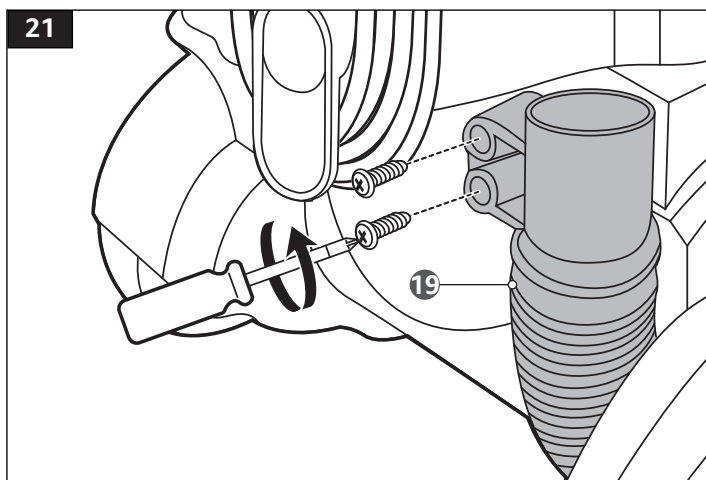
1. Quite el extremo en ángulo de la manguera flexible (23) del puerto del filtro (6) (Fig. 20).



2. Quite cualquier obstrucción.
3. Reinstale el extremo en ángulo de la manguera flexible (23) en el puerto del filtro (6).

Manguera obstruida (puerto de succión)

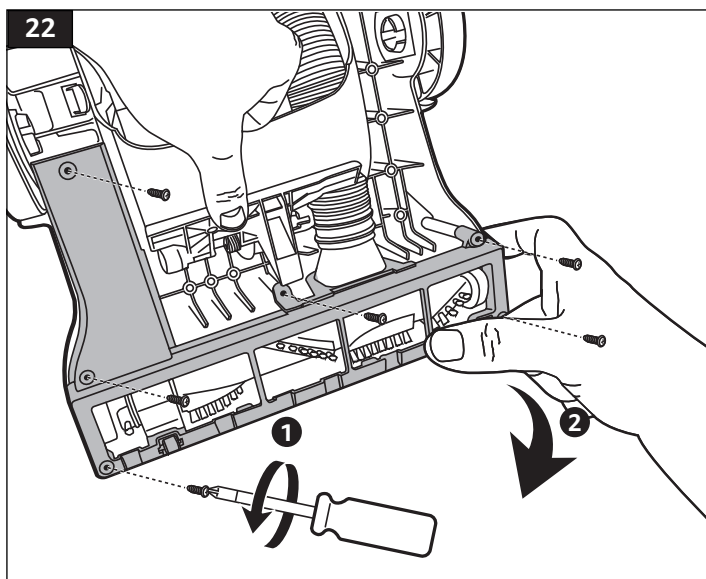
1. Suelte la empuñadura de la manguera (18) del puerto de succión (19) (Fig. 5).
2. Desenrosque el puerto de succión (19) (Fig. 21).



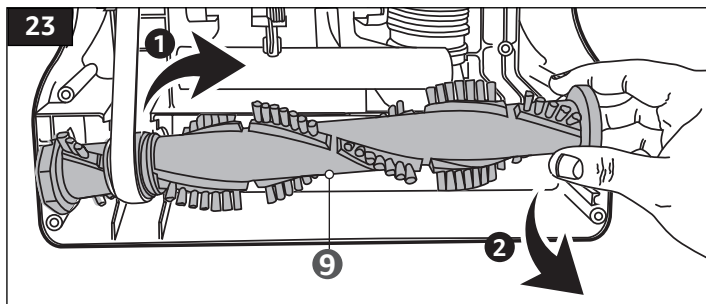
3. Quite cualquier obstrucción.
4. Reinstale el puerto de succión (19) y la empuñadura de la manguera (18).

Cepillo de rodillo obstruido

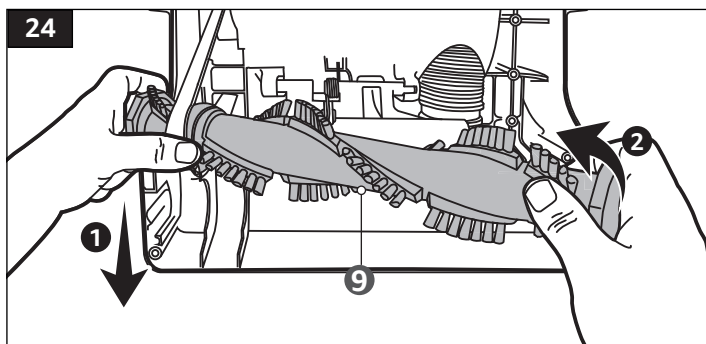
1. Voltee el electrodoméstico boca abajo desde el frente, de manera que el cepillo de rodillo (9) quede hacia afuera.
2. Desenrosque la placa base para sacarla de la cubierta del cepillo (Fig. 22).



3. Sostenga ambos extremos del cepillo de rodillo (9) y jálelos desde la correa motriz (Fig. 23).



4. Extraiga cualquier hebra, cabello, fibra de alfombras u otras obstrucciones.
5. Reinstale el cepillo de rodillo (9) en la correa motriz y presione el cepillo de rodillo (9) hacia la cubierta del cepillo (Fig. 24).



6. Gire el cepillo de rodillo (9) algunas vueltas para asegurarse de que se alinea con la correa motriz.
7. Reinstale la placa base en la cubierta del cepillo.

8.3 Mantenimiento

- Cualquier otra reparación aparte de las mencionadas en este manual se deberá realizar en un centro de reparación profesional.
- Apague y desconecte el electrodoméstico antes de realizarle un mantenimiento.

9. Preguntas Frecuentes

Problema	Solución
El electrodoméstico no enciende.	<p>Compruebe que el enchufe esté conectado a la toma de corriente. Use el voltímetro para comprobar si la toma de corriente está energizada.</p>
La potencia de succión es débil.	<ul style="list-style-type: none"> ▶ El depósito de polvo (11) está lleno. Vacíe el depósito de polvo (11). ▶ Suelte y limpie el filtro de espuma (15) o el filtro de ciclón (16) y el tazón de entrada (17). ▶ Asegúrese de que la manguera flexible (23) esté instalada de manera segura en ambos extremos. ▶ Asegúrese de que el depósito de polvo (11) esté totalmente insertado y que el botón de liberación del depósito de polvo (13) esté presionado por completo. ▶ Inspeccione que la manguera flexible (23), vara de extensión (3) u otros accesorios no estén obstruidos. Para quitar la obstrucción, consulte el capítulo Limpieza. ▶ Inspeccione que la manguera flexible (23) no esté punzada ni dañada. Contacte a un centro de reparaciones profesional que la inspeccione y la repare.
El motor está anormalmente ruidoso.	<ul style="list-style-type: none"> ▶ Deje de usar el electrodoméstico si el ruido persiste. ▶ El cepillo de rodillo (9) podría estar obstruido o enredado. Para limpiarlo, consulte el capítulo Limpieza. ▶ La correa motriz está desgastada. Contacte a un centro de reparaciones profesional que la inspeccione y la repare. ▶ Inspeccione que la manguera flexible (23), vara de extensión (3) u otros accesorios no estén obstruidos. Para quitar la obstrucción, consulte el capítulo Limpieza. ▶ Contacte a un centro de reparaciones profesional que la inspeccione y la repare.

10. Especificaciones

Número de modelo	VUS29AE1B
Tensión nominal	120 V CA, 60 Hz
Corriente nominal	6 A
Capacidad del depósito de polvo	máx. 7.2 tazas (1.7 L)
Largo del cable	18 pies (5.5 m)
Potencia de succión	70 W, 12 kPa
Peso neto	aprox. 8.4 lbs. (3.8 kg)
Dimensiones (An x Al x Pr)	aprox. 11.4 x 41.3 x 11.9 pulgadas (28.9 x 104.9 x 30.2 cm)

11. Comentarios y Ayuda

Nos encantaría conocer su opinión. Para obtener la mejor experiencia posible, le agradeceremos que escriba una opinión del cliente.



amazon.com.mx/review/review-your-purchases#

Si necesita ayuda con su producto Amazon Basics, utilice el siguiente sitio web.



amazon.com.mx/gp/help/customer/contact-us

amazon basics

amazon.com/AmazonBasics

MADE IN VIETNAM
FABRIQUÉ AU VIETNAM
HECHO EN VIETNAM

V01-02/23