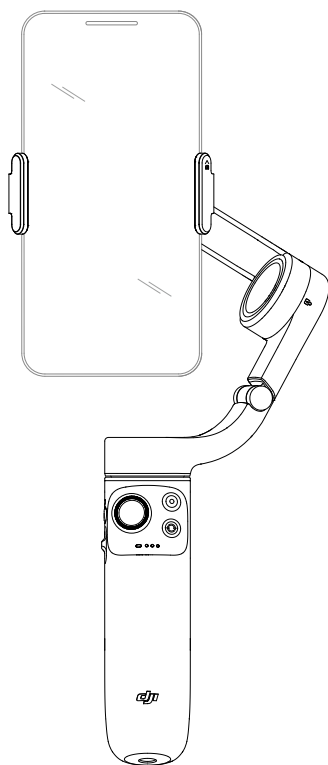


dji OM 5

User Manual

v1.0 2021.09



Searching for Keywords

Search for keywords such as “battery” and “install” to find a topic. If you are using Adobe Acrobat Reader to read this document, press Ctrl+F on Windows or Command+F on Mac to begin a search.

Navigating to a Topic

View a complete list of topics in the table of contents. Click on a topic to navigate to that section.

Printing this Document

This document supports high resolution printing.

Using this Manual

Legend

 Important

 Hints and Tips

Before Use

Read the following documents before using DJI OM 5:

1. Safety Guidelines
2. Quick Start Guide
3. User Manual




Tutorial Videos

It is recommend to watch all tutorial videos on the official DJI website (www.dji.com/om-5/video) or in the DJI Mimo app. Read the safety guidelines and quick start guide before using for the first time. Refer to this user manual for more information.

Downloading the DJI Mimo App

Scan the QR code to download the latest version of DJI Mimo app.



 The iOS version of DJI Mimo is compatible with iOS v12.0 and later. The Android version of DJI Mimo is compatible with Android v8.0 and later.

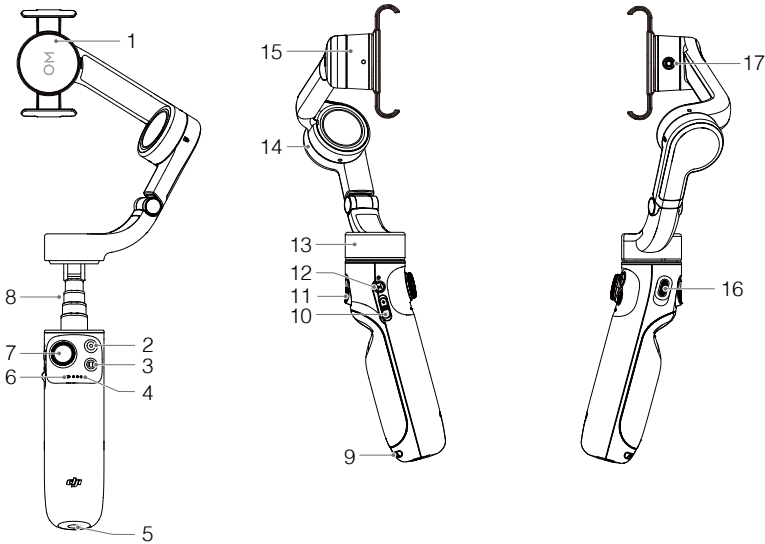
Contents

Using this Manual	2
Legend	2
Before Use	2
Downloading the DJI Mimo App	2
Introduction	4
Overview	4
Getting Started	5
Charging	5
Attaching the Phone	5
Using DJI OM 5	8
Button and Port Functions	8
Operating Mode	11
DJI Mimo App	12
Connecting to the DJI Mimo App	12
Camera View	13
Firmware Update	17
How to Update	17
Storage	17
Specifications	18

Introduction

Boasting 3-axis stabilization and equipped with a built-in extension rod, the lightweight DJI OM 5 unlocks the full potential of your mobile phone. The magnetic foldable design makes setup easier than ever and transportation and storage convenient. DJI OM 5 can be operated in both portrait and landscape and the upright, underslung, side grip, and low position modes help you capture the perfect shot. Take your content to the next level through DJI Mimo with ActiveTrack™ 4.0, Hyperlapse, Timelapse, DynamicZoom, and Pano. The brand new ShotGuides provide step-by-step tutorials according to the scenario and help you generate a video that you can share on social media.

Overview



- 1. Magnetic Phone Clamp 2
- 2. Shutter/Record Button
- 3. Switch Button
- 4. Battery Level Indicators
- 5. 1/4"-20 UNC Port
- 6. System Status Indicator
- 7. Joystick
- 8. Built-In Extension Rod
- 9. Lanyard Hole
- 10. Zoom Slider
- 11. Trigger
- 12. Power/M Button
- 13. Pan Motor
- 14. Tilt Motor
- 15. Roll Motor
- 16. Charging Port (USB-C)
- 17. M3×0.5 Screw Hole

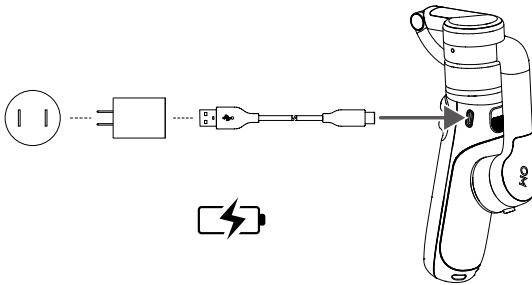
Getting Started

Charging

To charge DJI OM 5, connect a USB adapter (not included) to the charging port using the power cable (included). The battery is fully charged when the battery level indicators turn off.

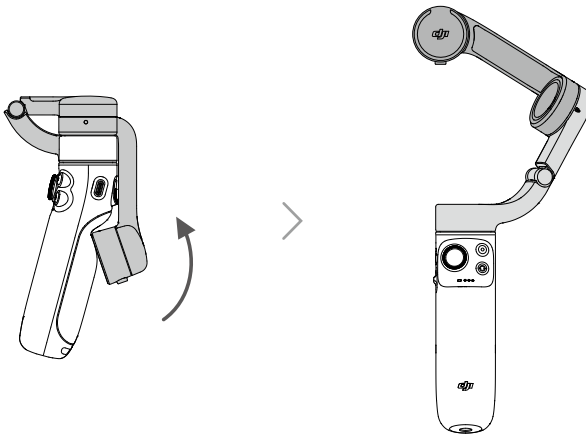
Charging time: 1.5 hours (tested in the environment temperature of 25° C when using a 10 W charger)

Max runtime: 6 hours (tested with the gimbal balanced and held steadily. This value should be taken as a reference only)

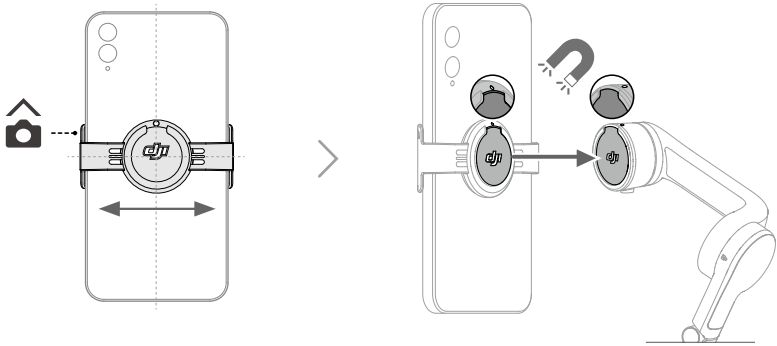


Attaching the Phone

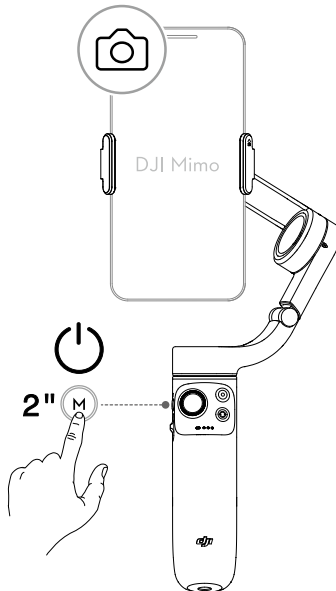
1. DJI OM 5 is folded when packaged. Unfold the gimbal as shown.



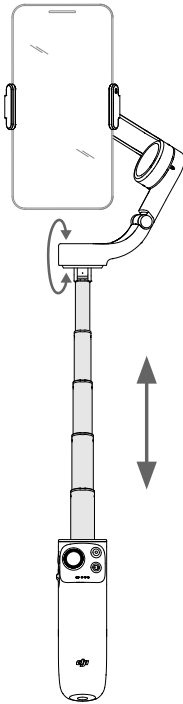
2. Attach the magnetic phone clamp in the center of the phone. The magnetic phone clamp can be stretched. The camera mark should point towards the camera of the phone.
3. Align the marks on the phone clamp and the phone clamp mounting plate. Attach the mobile phone to DJI OM 5.



4. Press and hold the M button to power on DJI OM 5.



5. The built-in extension rod can be extended to up to 215 mm and the angle can be adjusted from 0 to 90 °.



- Make sure the direction of the magnetic phone clamp is the same as shown and it is in the middle of the phone. Otherwise, the gimbal performance may be affected.
 - Adjust the phone clamp and make sure it is as vertical like the phone.
 - For optimal performance, use the provided riser pad if using a phone less than 7.5 mm thick or weighing less than 170 g.
 - Mount the mobile phone before powering on DJI OM 5. If no mobile phone is detected, DJI OM 5 will vibrate and enter standby mode. To bring it out of standby mode, press any button after mounting the mobile phone.
-

Using DJI OM 5

After powering on, DJI OM 5 will enter follow mode by default. The gimbal converts joystick movements into smooth pan and tilt transitions, and reduces the impact of natural vibrations. The mobile phone can be adjusted by hand as well.

Button and Port Functions



M Button

When Powered off

Press once: check battery level.

Press and hold: power on.

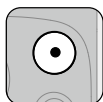
When Powered on

Press once: switch between photo or video mode (by default) or enter quick settings (function set in DJI Mimo).

Press twice: enter standby mode (press any button to exit).

Press four times: switch between FPV and follow mode.

Press and hold: power off.



Shutter/Record Button

Press once: take a photo or start or stop recording.

Press and hold: for burst shooting when in photo mode.



Switch Button

Press once: switch between front and back cameras.

Press twice: switch between landscape and portrait mode.



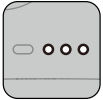
Joystick

Move vertically to tilt the mobile phone. Move horizontally to pan the mobile phone. The joystick control direction can be set in DJI Mimo. The feature of joystick also can be set to switch quick settings.




Zoom Slider

Move the slider to the + position to enlarge the subject and move the slider to the - position to shrink. Push the slider once to change the zoom once. Push the slider continuously to change the zoom continuously.

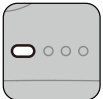


Battery Level Indicators

Indicates the battery level of DJI OM 5. Refer to the table below for details.

-  The indicators are defined below.
 - LED is on. ○ LED is off.
 - ⦿ LED is flashing. ⦿ LED is flashing fast.

Blinking Patterns	Battery Level
● ● ●	Battery Level > 65%
● ● ⦿	45% < Battery Level ≤ 65%
● ● ○	30% < Battery Level ≤ 45%
● ⦿ ○	20% < Battery Level ≤ 30%
● ○ ○	10% < Battery Level ≤ 20%
⦿ ○ ○	2% < Battery Level ≤ 10%
⦿ ○ ○	Battery Level ≤ 2%



System Status Indicator

Indicates the current status.

Blinking Pattern	Descriptions
Solid yellow	Bluetooth disconnected
Solid green	Bluetooth connected
Pulses yellow or green	Standby mode
Blinks red and green alternatively	Firmware updating/firmware update failed
Solid red	Gimbal abnormality (such as temperature is too low or high or battery is over discharged)
Blinks blue three times and then grow solid green	Enter FPV mode
Blinks green three times and then grow solid green	Exit FPV mode



Trigger

Press and hold to enter lock mode. In lock mode, the gimbal will not follow the handle movements. Release to exit lock mode.

Press once to start or stop ActiveTrack 4.0 (requires used with Mimo).

Press twice to recenter the gimbal. When using ActiveTrack 4.0, the gimbal will recenter to the center of the camera view.

Press once, and then press and hold to enter Sport mode. Release to exit. In Sport mode, the follow speed of the gimbal increases for capturing quick movements.



Charging Port (USB-C)

Charge DJI OM 5 by connecting a USB adapter to this port.



1/4\"-20 UNC Port

The 1/4\"-20 UNC port can be used to attach a tripod.



M3x0.5 Screw Hole

Used to mount counterweights. Counterweights should be used if a camera lens or microphone is mounted on the mobile phone. Make sure the total weight of these accessories is less than 290 g.




Lanyard Hole

The lanyard hole can be used to attach a wrist strap.

Combination Operation

The Bluetooth connection can be reset if DJI OM 5 cannot be connected or found. Press the switch button, shutter/record button, and trigger simultaneously to reset the Bluetooth connection. The Bluetooth connection is reset successfully when the system status indicator turns from green to yellow. Search DJI OM 5 and reconnect.

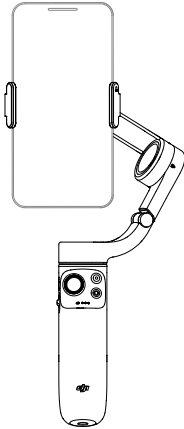
 DJI OM 5 will be powered off automatically if there is no operation for three minutes in standby mode.

Operating Mode

The figures below depict the operation modes when using OM 5 in portrait mode. The same operation modes apply when used in landscape mode.

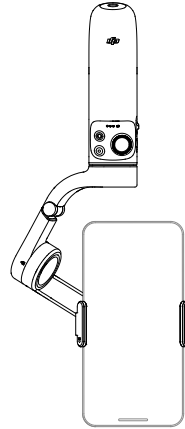
Upright Mode

Upright mode can be used without any further user input. In this mode, press the trigger twice quickly to center the mobile phone.



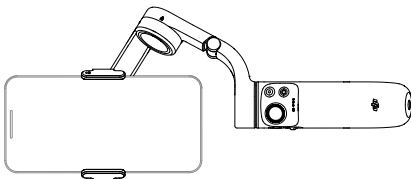
Underslung Mode

Hold DJI OM 5 upside down to enter Underslung mode, in which the mobile phone can easily capture images from a lower position. Press the trigger twice to center the mobile phone.



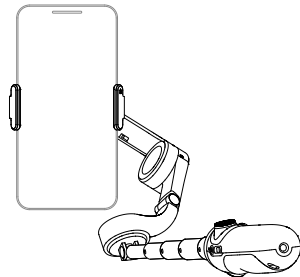
Side Grip Mode

Rotate DJI OM 5 to the right or left by 90° to go from Upright to Side Grip mode. Press the trigger twice to center the mobile phone.



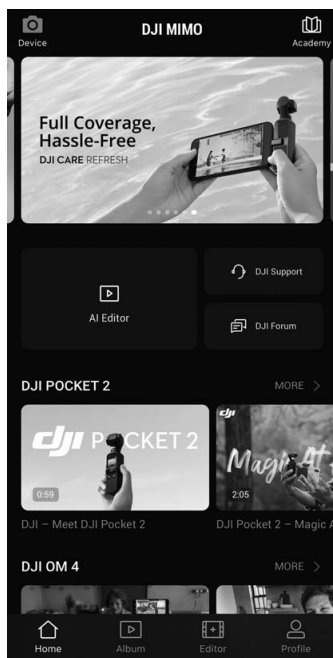
Low Position Mode

Extend the built-in extension rod and adjust the angle to Low Position mode. Use Low Position mode to shoot from a low angle.




DJI Mimo App

Watch a live HD video feed on your mobile phone screen through the DJI Mimo app. The app also allows you to use ShotGuides, Story mode, Hyperlapse, Timelapse, ActiveTrack 4.0, DynamicZoom, and Pano, or configure camera and gimbal settings in just a few taps.



 Device: tap to connect to DJI OM 5. Once connected, DJI Mimo enters camera view.

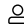
 Academy: tap to watch tutorials and view manuals.

 AI Editor: provides several templates to edit photos or videos.

 Home: tap to return to the home screen.

 Album: manage and view footage from the phone or DJI devices.

 Edit: tap to edit photos or videos from DJI OM 5 or import and edit from a mobile device.

 Profile: register or log in to a DJI account. View works and settings, check likes and followers, send messages to other users, and connect with the DJI Store.

Connecting to the DJI Mimo App

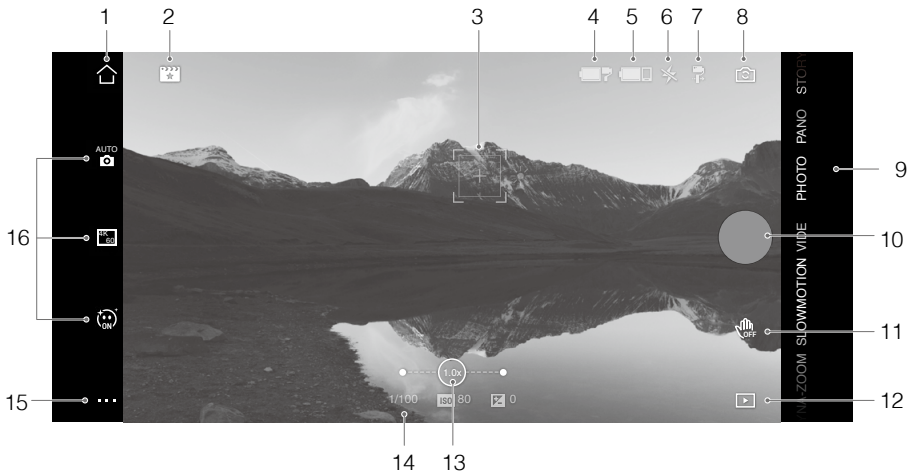
1. Power on DJI OM 5.
2. Enable Bluetooth on the mobile phone and connect to the device with an OM 5 prefix name in DJI Mimo.
3. Authorization to access device information and GPS data is required when using DJI Mimo

for the first time in order to complete activation. An internet connection is also required.

4. DJI OM 5 will be activated after authorization and the app will enter the camera view.

⚠ When connected via Bluetooth, DJI OM 5 is able to control the camera of the mobile phone without DJI Mimo. Refer to the Mobile Phone Compatibility List for details.

Camera View



1. Home

🏠 Tap to return to the home screen.

2. ShotGuides

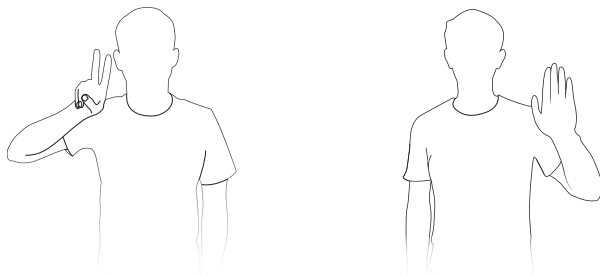
📖 ShotGuides provide step-by-step shooting tutorials according to the scenario and helps users to generate a video.

3. ActiveTrack Select Box

👤 ActiveTrack 4.0 has been optimized for tracking human subjects with a head and shoulder model along with face detection using deep learning algorithms. The subject will remain in the center of the camera view by default. The camera view can be adjusted manually. There are three ways to use ActiveTrack 4.0:


- Drag a box on the screen in the camera view in DJI Mimo. A green box around the subject indicates ActiveTrack 4.0 is successfully enabled. Tap the X icon on the top corner to stop tracking.
- Enable Gesture Control in DJI Mimo and perform a palm or V gesture for one to two seconds when facing the camera. The back camera will detect the nearest head and shoulders and start to track the subject. The front camera will detect the nearest face and start to track the subject.

The differences between the head and shoulder tracking and face tracking are that head and shoulder tracking supports 360° tracking while face tracking does not. Also, the detection range of the cameras are different. The detection range between the back camera and the gesture is 0.5 to 4 m, and the distance between the front camera and the gesture is 0.5 to 2 m. Note that ActiveTrack 4.0 may consume more power and cause the temperature of the mobile phone to increase.



c. Press the trigger once to start or stop ActiveTrack 4.0. When using ActiveTrack 4.0, move the joystick to adjust the camera view. Perform a palm or V gesture to stop recording.

4. Gimbal Battery Level

 Displays the current battery level of the gimbal.

5. Mobile Phone Battery Level

 Displays the current battery level of the mobile phone.

6. Flash

 Displays the flash status.

7. Gimbal Mode

 Displays the current gimbal mode: Follow, Tilt Locked, FPV, or SpinShot.

8. Front/Back Camera Switch

 Tap to switch between the front and back cameras of your mobile phone.

9. Shooting Modes

Scroll to select the shooting mode.

Hyperlapse: enable to shoot a Timelapse photo while moving the mobile phone. Tap the shutter button to begin.

Timelapse: there are four types of timelapse (Fixed Angle, L to R, R to L, and Custom Motion). After selecting the timelapse, tap the settings at the top of the screen. For Fixed Angle, L to R, and R to L, set the interval and duration and start to shoot. For Custom Motion, select up to four positions and the gimbal will move to each position in sequence.

DynamicZoom: choose from Move Out and Move In mode. After selecting a mode, drag a

box to select a subject, and tap the shutter button to start shooting.

Slow Motion: tap to shoot video at 4x and 8x slow motion.

Video: tap to shoot a normal video.

Photos: tap to take a single shot photo. Press and hold for burst shooting.

Pano: tap to take a 3×3, 240°, or CloneMe panorama photo.

Story: provides several templates for recording video.

10. Shutter Button

- Tap to take a photo or to start or stop recording video.

11. Gesture Control Switch



- Tap to access Gesture Control settings.

12. Playback



- Tap to preview photos and videos.

13. Zoom



- Place two fingers on the screen and move them apart to zoom in or move them together to zoom out.

14. Shooting Parameters

- 1/100** **ISO 80** **ƒ/0** Displays the shutter speed, ISO, and EV values.

15. Settings ■ ■ ■



Camera Settings

The settings vary depending on the shooting mode. Note that the flash, white balance, and grid settings are only available when using the back camera. For iOS devices, Selfie Flip is available when using the front camera in photo and video mode. For Android devices, Selfie Flip is only available in photo mode.



Gimbal Settings

Gimbal Mode

- Follow: pan and tilt axes follow.
- Tilt Locked: only the pan axis follows.
- FPV: pan, tilt, and roll axes follow.
- SpinShot: pan, tilt, and roll axes follow. The joystick can be used to control the roll axis rotation.

Sport Mode Switch: tap to enable or disable Sport mode. In Sport Mode, the follow speed of the gimbal increases greatly. It is suitable for shooting in scenarios where subjects move suddenly and at fast speeds.

Zoom Speed: tap to set the zoom speed when using the zoom slider.

Joystick Speed: tap to set the maximum speed when controlling the joystick. There are Fast, Medium, and Slow options.

Joystick Control Direction: choose from Free and Horiz/Vert. Free enables the gimbal to be controlled in horizontal and vertical direction simultaneously. Horiz/Vert enables the

gimbal to be controlled in a horizontal or vertical direction.

Invert Pan Control: after enabling this feature, the pan axis movement direction is the reverse of the previous direction.

Invert Tilt Control: after enabling this feature, the tilt axis movement direction is the reverse of the previous direction.

Press M Button: switch between photo and video mode or enter/exit the quick menu. The function can be set by the user.

Gimbal Auto Calibration: reduces drift caused by nearby magnetic interference or human error. Before calibrating, place DJI OM 5 on a flat surface using a tripod. Do not touch the gimbal during calibration.


Horizontal Gimbal Adjustment: make sure the magnetic phone clamp is level before adjusting the gimbal.

■ ■ General Settings

Includes information such as Device Management, Device Name, Firmware Version, and Serial Number.

16. Shooting Parameters Settings

Shooting Modes	Settings
Hyperlapse	Resolution and FPS, Speed, ISO, Shutter, and EV
Timelapse	Resolution and FPS, Video Frame Rate, ISO, Shutter, and EV
Dynamic Zoom	Glamour Effects, Video Frame Rate, ISO, Shutter, and EV
Slow Motion	ISO, Shutter, and EV
Video	Glamour Effects, Video Frame Rate, ISO, Shutter, and EV
Photos	Glamour Effects, Count Down, ISO, Shutter, and EV
Pano	3x3, 240°, and CloneMe Pano, Count Down, ISO, Shutter, and EV

-
-  • When enabling Glamour Effects, the max video resolution is 1080p.
- Shooting parameter settings vary depending on the model of the mobile phone. Refer to the Mobile Phone Compatibility List (www.dji.com/om-5/downloads) for more information.
-

Firmware Update

Use DJI Mimo to update the DJI OM 5 firmware. It takes approximately three minutes to complete an update.

How to Update

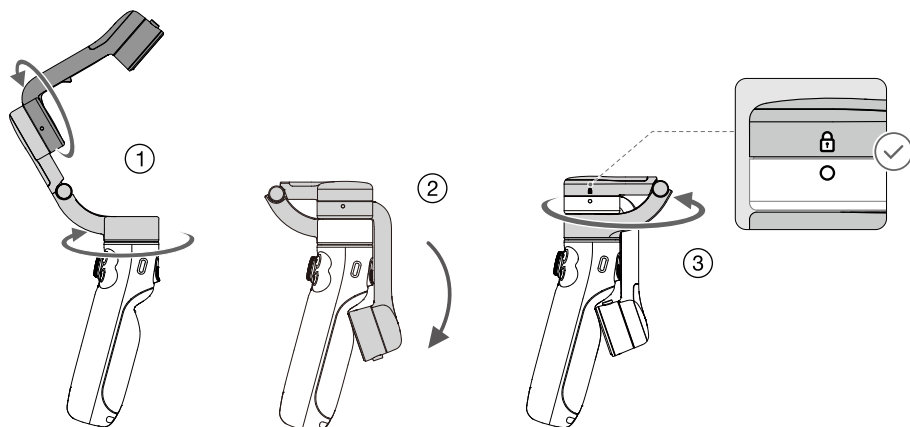
Before starting an update, make sure that the battery level is at least 15% (at least two battery level indicators illuminated). Connect DJI OM 5 to your mobile device and launch DJI Mimo. You will be prompted if a new firmware update is available. To start updating, connect the mobile device to the internet and follow the on-screen instructions.

Do not exit DJI Mimo while updating the firmware. Pay attention to on-screen prompts. The system status indicator will blink green and red alternatively and become solid green once the firmware update has completed successfully.

If an update is unsuccessful, restart DJI OM 5 and DJI Mimo, reconnect the Bluetooth, and retry.

Storage

DJI OM 5 is designed to be folded for easier storage and transportation. Make sure to fully retract the built-in extension rod and fold the OM 5 after powering off. Rotate the pan and tilt axis as shown and fold the gimbal. The mark of the axis arm should slot into the hole on the handle. Rotate the pan axis until there is a click, which indicates the gimbal is secured.



Specifications

Name	DJI OM 5
Model	OE100
Dimensions	Unfolded: 264.5 × 111.1 × 92.3 mm Folded: 174.7 × 74.6 × 37 mm Built-in extension rod length: 215 mm
Weight	292 g (gimbal) 34 g (magnetic phone clamp)
Power Consumption	1.2 W (steady and balanced status)
Mechanical Range	Pan: -161.12° to 172.08° Roll: -127.05° to 208.95° Tilt: -101.46° to 229.54°
Max Controllable Speed	120°/s
Compatible Phones	Weight: 230±60 g Diagonal: ≤ 196 mm (or ≤ 7.72 in) Thickness: 6.9-10 mm Width: 67-84 mm
Wireless Mode	Bluetooth Low Energy 5.0
Transmission Power (EIRP)	≤5 dbm
Operating Frequency	2.400-2.4835 GHz
Battery Type	Li-Po 2S
Capacity	1000 mAh
Energy	7.74 Wh
Voltage	6-8.8 V
Charging Temperature	5° to 40° C (41° to 104° F)
Operating Temperature	0° to 40° C (32° to 104° F)
Charging Time	1.5 hours (Measured with a 10 W charger in the environment temperature of 25° C)
Operating Time	6 hours (Under ideal conditions with the gimbal fully balanced)

This content is subject to change.

**Download the latest version from
www.dji.com/om-5/downloads**

OSMO is a trademark of DJI OSMO.
Copyright © 2021 DJI OSMO All Rights Reserved.