



# ONNAIS RV Keyless Handle Installation Guide and Operating Instructions



For any assistance, you can contact the following email addresses:

support@onnaisafe.com

## QUICK START GUIDE VIDEO



OR

<https://onnaisafe.com/pages/installation-guide>

Follow Onnais on Instagram & Facebook for faster help.

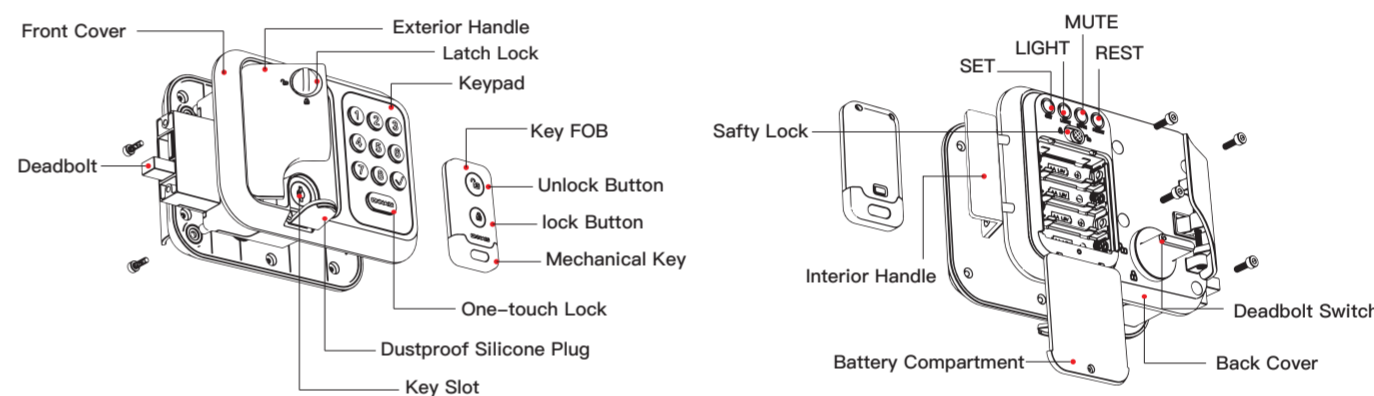


## The installation steps

1. Remove the existing door handle and lock from your RV.
2. Carefully slide the front of the new handle into the door opening, ensuring that the wires are pulled ahead of the lock. Securely hold the lock in place and attach the new strike plate using the provided 2 short machine screws.
3. Connect the battery wires between the front and back covers. You should hear 'beep' sound indicating that it's connected. If you don't hear any sound, please check the connection.
4. Use 4 longer screws to secure the back cover to the front cover. Test the door to ensure smooth operation. If you experience any sticking or looseness, readjust the installation position.
5. Press the 'ONNAIS' button to lock. Enter the initial password '12345' to unlock. (If the password fails to unlock, press 'reset' three times within 10 seconds to restore the factory settings. The initial password is '12345')
6. Pull out the mechanical key from the remote control and insert it into the keyhole to lock and unlock the door. The mechanical key can be used when remote or electronic unlocking is not functioning. Remember to put the mechanical key back into the remote control and keep your keys safe.

**\*Please note that before proceeding with the installation, make sure you have thoroughly read and understood the installation instructions for the ONNAIS RV lock. If you encounter any issues, please contact support@onnaisafe.com, and we will respond to your email within 24 hours.**

## Get start to use your ONNAIS RV lock



### Introduction to Key Components of ONNAIS RV Keyless Lock

1. Latch Lock: Used to secure the exterior handle, preventing unnecessary movement or swinging when not needed.
2. Mechanical Key: Pressing the button will eject the mechanical key.
3. MUTE button: Used to activate/deactivate the mute mode.
4. Light button: Allow you to turn on or off the keyboard backlight at any time.
5. Reset button: Press the Reset button 3 times in quick succession within 10 seconds to restore the product to its factory settings. If the ONNAIS button illuminates blue and there is 'beep' sound, it indicates a successful restoration to factory settings.
6. Deadbolt Switch: By operating this switch, the deadbolt can extend or retract to lock or unlock the mechanical lock on the door.
7. Safety Lock: When this button is activated, it will not be possible to use the FOB to enter the RV.

### Low Battery Warning

When the battery voltage drops below 4.8V, after a short beep sound upon unlocking, there will be a long beep sound (1.5 seconds) indicating low battery voltage, accompanied by the logo button lighting up in red and flashing 5 times. At this time, please replace the battery as soon as possible.

### Changing Batteries

Remove the screw on the back battery cover and install four AA batteries. Changing the batteries will not affect the current code or remote programming.

\*To extend battery life and prevent handle damage during periods of non-use, it is recommended to remove the batteries from the handle when not in the travel season.

### Peek-proof digital design

You don't have to worry about someone stealing your password. As long as you enter a sequence of numbers that includes the administrator password, you will be able to successfully unlock it.

07926 123123 7890

correct password

Random Numbers

## Quick set up

⚠ Before you change the administrator password, the default administrator password is 12345.

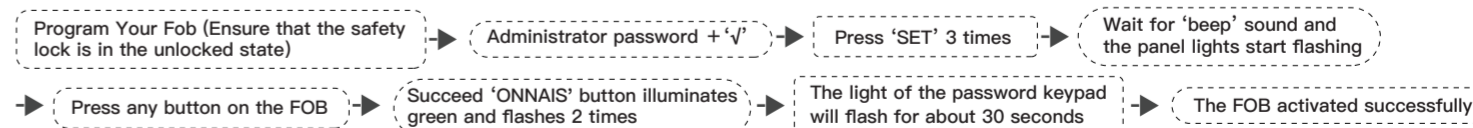
### Now, let's set your password and Fob!

#### Program Your Keypad



TIPS: If the setup fails, the ONNAIS button will illuminate red and flash 3 times while emitting beep sound.

#### Program Your Fob



TIPS: 1. You can pair multiple remote controls consecutively. When reentering the FOB pairing mode, previously paired FOB will be cleared, and you will need to pair them again.  
2. If you want to pair 2 remote controls simultaneously, when entering the pairing mode, you can press any button on the 2 FOBs one by one. Please do not press the buttons of both FOBs at the same time.

#### Lock/Unlock the Door



Have you forgotten your password? The following are the reset steps.

