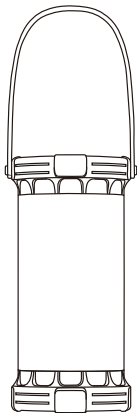


Glocusent

CAMPING LANTERN



glocusent | Light Up Your Chapters

Catalogue

English	-----	1
Deutsch	-----	6
Français	-----	8
Italiano	-----	10
日本語	-----	12
About Glocusent	-----	14
Customer Support	-----	End

Scan the QR Code for 36-month
upgraded VIP warranty



————— **For Customer Service** —————

www.glocusent.com | service@glocusent.com

Words From the Product Designer

Hi Outdoor Friends,

This is Mason from Glocusent. We're excited to introduce **the upgraded C12 Camping Lantern**, redesigned with your outdoor needs in mind.

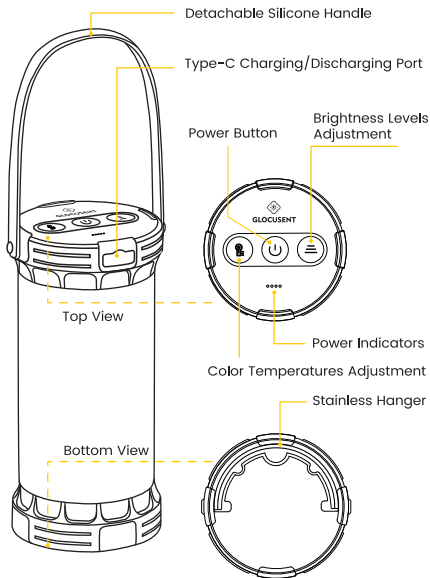
To offer better coverage, we've **enlarged the lantern size and increased the brightness up to 1500 lumens**, ensuring a wider, brighter light that fully illuminates your surroundings.

We also simplified the controls with **three large buttons**—individually managing power, brightness, and color temperature—for a more intuitive experience.

And when your phone runs low on power? The new **reverse charging function** lets the lantern double as a power bank, keeping you connected when it matters most.

We hope this upgraded lantern lights up your adventures—brighter and smarter.

Warmly,
Mason



Instructions

Power



Short Press



Turn On/Off

Long Press



SOS

Brightness Level



Short press to adjust brightness levels.



Level 1

Level 2

Level 3

Level 4

Level 5

Or long press for stepless brightness adjusting.



Level 1

Level 5

Color Temperature



Short Press to Adjust Color Temperatures.

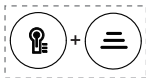


3000K

4000K

6000K

Extreme Situation



1500LM



Super Bright For
Extreme
Conditions
(Last for 3minute)

Reverse Charging function

- Use a standard Type-C to Type-C data cable (or a Type-C to Lightning data cable depending on your device) to connect the camping light's Type-C port to the charging port of the electronic device. This allows the camping light to charge the device.
- The reverse charging output specification is 5V/2A.
- When reverse charging another device, the indicator light will display the current battery level of the camping light.
- When the battery level of the camping light is low (battery voltage below 3.0V), reverse charging will automatically stop.

How To Charge the Camping Light

- Plug the provided USB-C cable into the charging port on the top, and connect it with a 5V-2A power charger.
- It takes about 3.5 hours to fully charge.
- Please fully charge the product before first use.

Note: The indicating lights will flash when it is on charging, and four indicating lights will be stable when the camping light is fully charged.

Precautions

1. Use a 5V output wall plug to make sure the camping lantern is working at its full capacity.
2. Please avoid placing this light in an extreme temperature environment (either too hot or too cold).
3. Please charge it at least once every 6 months to maintain the battery's lifespan.

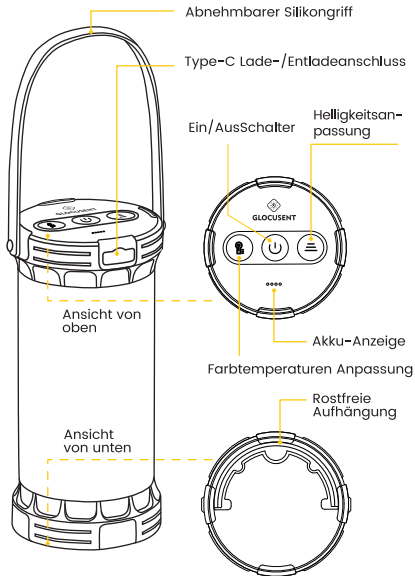
Note: When you are ready to dispose of the product after wearing it out, please make sure to follow the instructions of your local government for local government for environmental and safety purposes.

Product Specifications

Model	C12
Brightness	30lm - 1500lm
Color Temperature	3000K, 4000k, 6000k
Battery	Lithium
Battery Capacity	5000mAh
LED Beads	135 beads
Dimensions	18.5*8.7*8.7 cm 7.3*3.4*3.4 in
Weight	299 g / 10.5 oz
Certificates	FCC/CE/UKCA
Ingress Protection	IP44
Input	5V=2A

Include

Camping Lantern	x 1
USB-C Cable	x 1
User Manual	x 1
Bookmark	x 1



Anleitung

Leistung



Kurz drücken



Ein/Aus

Langer drücken



SOS

Helligkeitsstufen



Kurz drücken zum Einstellen der Helligkeitsstufen.



Stufe 1 → Stufe 2 → Stufe 3 → Stufe 4 → Stufe 5

Oder langdrücken für die stufenlose Helligkeitseinstellung.



Stufe 1 → Stufe 5

Farbtemperaturen

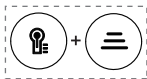


Kurz drücken zum Einstellen der Farbtemperaturen.



3000K → 4000K → 6000K

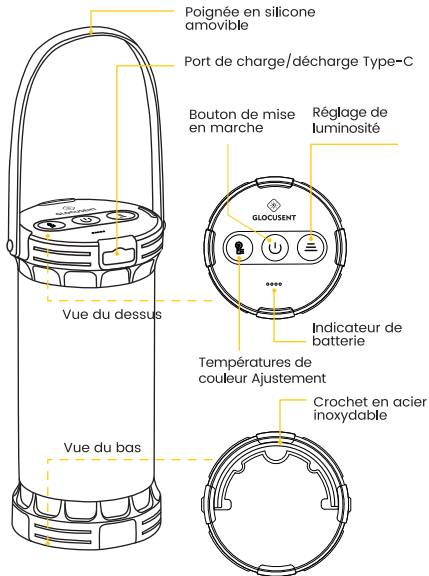
Extremsituation



1500LM



Superhell für extreme Bedingungen (Dauer: 3 Minuten).



Instructions

Puissance



Appui court



Activer
/ Désactiver

Appui long



SOS

Niveaux de Luminosité



Appuyez brièvement pour régler les niveaux de luminosité.



Niveau 1 → Niveau 2 → Niveau 3 → Niveau 4 → Niveau 5

Ou appuyer longuement pour régler la clarté de manière continue.



Niveau 1 → Niveau 5

Températures de couleur

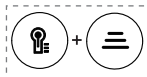


Appuyer brièvement pour régler les températures de couleur.



3000K → 4000K → 6000K

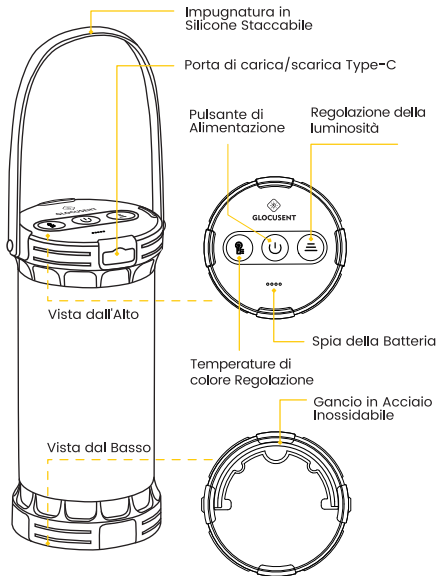
Situation extrême



1500LM



Lumière super brillante pour les conditions extrêmes (avec une durée de fonctionnement de 3 minutes).



Istruzioni

Alimentazione



Pressione breve



Attivare/
Disattivare

Pressione lunga



SOS

Livelli di luminosità



Pressione breve per regolare i livelli di luminosità.



Livello 1 → Livello 2 → Livello 3 → Livello 4 → Livello 5

O pressione lunga per regolazione fluida della luminosità.



Livello 1 → Livello 5

Temperature di colore

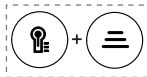


Pressione breve per regolare le temperature di colore.



3000K → 4000K → 6000K

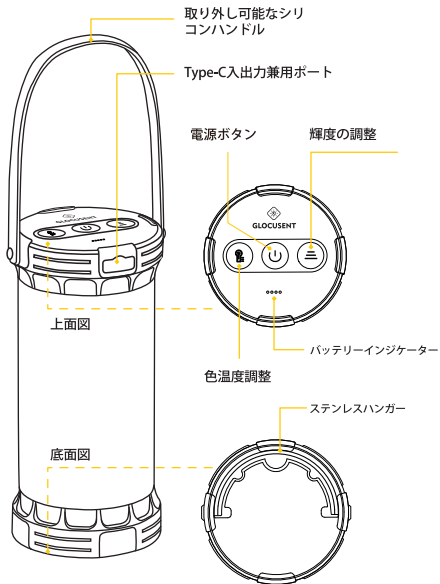
Situazione Estrema



1500LM



Super Brillante per
Situazioni
Estreme
(durata di 3 minuti).



使用方法

電源



短押し



オン/
オフにする

長押し



SOS

輝度レベル



短押しすると輝度レベルを調整できます。



レベル 1 → レベル 2 → レベル 3 → レベル 4 → レベル 5

長押しすると無段階の輝度レベルを調整できます。



レベル 1 → レベル 5

色温度

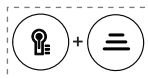


短押しすると色温度を調整できます。



3000K → 4000K → 6000K

極端な状況



1500LM



極端な状況のための
超高輝度
(3分間持続)

About Glocusent

Ever since we saw our first sunrise illuminate the beautiful Colorado Springs, we've become a lighting product company that believes that light is a critical element to capturing the magic in moments. No progress was ever made in the dark, and we're here to deliver that light to ensure that our users are always progressing. At Glocusent, we refer to three core principles: glory, focus, and moments.

Glory: We're about bringing light to your life, and we believe life is filled with glory, whether that's in your career or with your family. Let us shine a light on that glory.

Focus: Our team at Glocusent is focused on creating innovative lights and lamps that are convenient, smart, and tailored to its user. In the wise words of Roy T. Bennett, "Life is short; Focus on what really matters; you should change your priorities over time." With our lights, you can focus on what matters.

Moment: Moments are fleeting. Your lives are filled with beauty, romance, and happiness. Our innovative lights are there to help you capture the moments.



Points de collecte sur www.quefairedemesdechets.fr
Privilégiez la réparation ou le don de votre appareil !



Warning: To avoid danger of suffocation, keep this bag away from children and babies. Do not use this bag in cribs, beds, baby carriages or playpens. This bag is not a toy.

Glocusent Customer Support

Have questions, concerns, or feedback about Glocusent Camping Lantern(C12)?

Email us at service@glocusent.com.

Our team will respond to your email in a swift time.

You're currently covered by our 24-month worry-free warranty. But there's more! You can easily bump that up to a 36-month VIP Service warranty. It's all on us- either a replacement, a full refund or a chance to try out our new products. Simply swing by our website and register your purchase to make the upgrade, we've got your back.

www.glocusent.com/pages/warranty

Alternatively, you can scan the QR code below to register your purchase:



————— **For Customer Service** —————

www.glocusent.com | service@glocusent.com