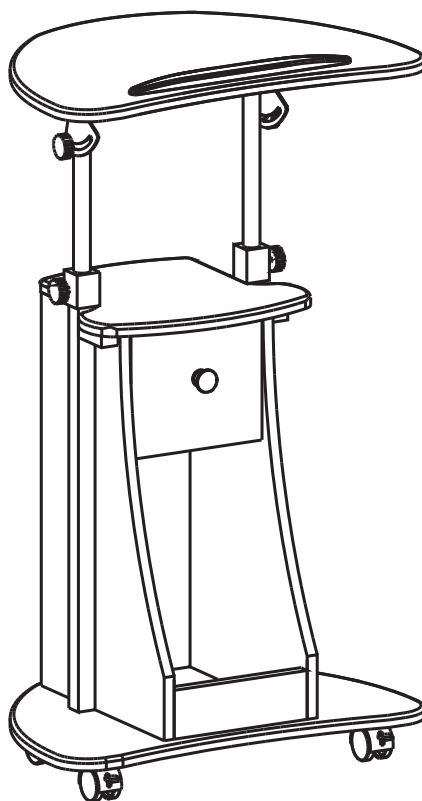


MODEL RTA-B005

ASSEMBLY INSTRUCTIONS

Thank you for purchasing our products.



Scan QR Code to view
full assembly video





- Please read carefully the assembly instructions before the installation.



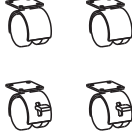





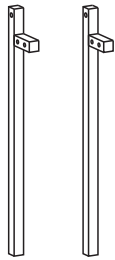
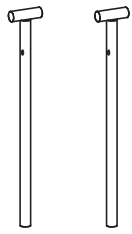


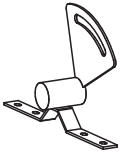
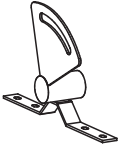

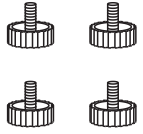

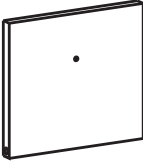



- Do not discard this manual or any of the packaging material until the unit has been completely assembled.

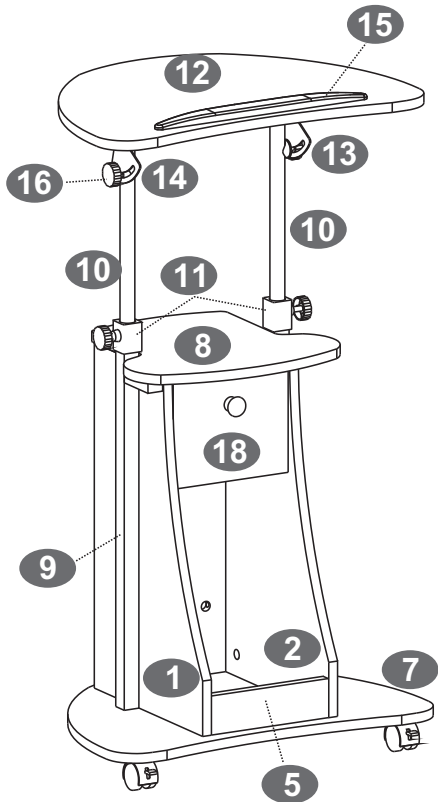


- Scan QR Code to view full assembly and step video

MAIN PARTS LIST

<p>#1 Left panel x1</p> 	<p>#2 Right panel x1</p> 	<p>#3 Casters x4</p> 	<p>#4 Back panel x1</p> 
<p>#5 Front panel x1</p> 	<p>#6 Mid panel x1</p> 	<p>#7 Bottom panel x1</p> 	<p>#8 Top panel x1</p> 
<p>#9 Lateral structure x2</p> 	<p>#10 Top structure x2</p> 	<p>#11 Plastic cover x2</p> 	<p>#12 Main panel x1</p> 
<p>#13 Right tilting mechanism x1</p> 	<p>#14 Left tilting mechanism x1</p> 	<p>#15 Protection rail x1</p> 	<p>#16 Screw Knob x4</p> 
<p>#17 A: Magnetic Catch B: Steel Plate x1</p> 	<p>#18 Drawer panel x1</p> 	<p>#19 Handle x1</p> 	

MAIN PARTS LAYOUT (FOR REFERENCE):



SCREWS LIST:

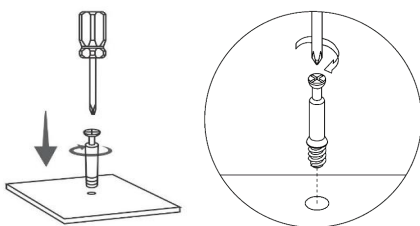
PART	QTY.	ITEM	
A	16	4X14MM	
B	3	5X16 MM	
C	6	6X35 MM	
D	20	6X40 MM	
E	8	6X12 MM	
F	4	3X15 MM	
G	1	4X20 MM	
H	2	Φ 5X17 MM	
I	2	Φ 25X15MM	
	1		

⚠ This unit uses cam bolts and locks. The following explains how to use them. This is not an assembly step; it is a guide for when you are actually doing the assembly using this kind of hardware.

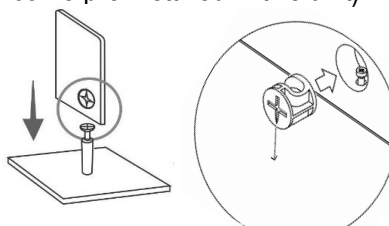
Cam Bolt

Cam Lock

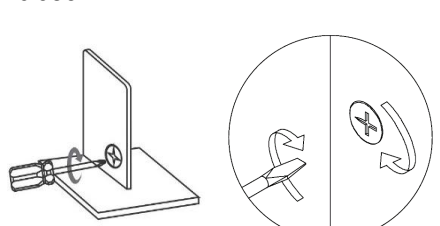
1. Screw the bolt into the corresponding panel.



2. In the other panel, insert the cam lock and align it so it can properly receive the bolt, then join both panels (the cam locks might come pre-installed in this unit).



3. The panels might have a very small gap which is normal; turn the cam lock clockwise to lock the parts together and the gap will also close.



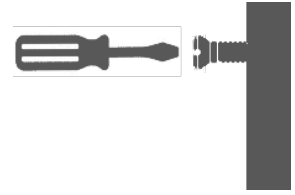
ALIGNMENT DIRECTION

BEFORE YOU START THE ASSEMBLY, PLEASE READ THE FOLLOWING TIPS AND WARNINGS.

1 Do a quick inventory to make sure the package contains all the parts and hardware listed in the assembly instructions.



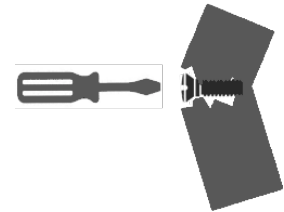
7 To avoid misalignments, always leave the screws loose and tighten them until all pieces are positioned correctly.



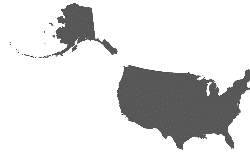
2 Missing, damaged and defective parts can be replaced at no cost to you. Please refer to the CONTACT card included with the product.



8 Do not overtighten or force the screws as they might break, strip, damage the threads of the holes or get stuck inside the part.



3 The replacement parts service is limited to the continental United States. If you reside in Hawaii, Puerto Rico, U.S. Dependencies or other countries, please contact the supplier from where the unit was purchased.



9 Sometimes the laminate might cover partially or entirely the hole on a panel. If there is no visible hole for the screw, pass and press the tip of your finger over the area where the hole should be located to feel the indentation, and once found, carefully pierce the laminate to reveal the hole underneath.



4 If during assembly you find an issue or need clarification, please contact our Customer Service for assistance. Please refer to the CONTACT card included with the product.



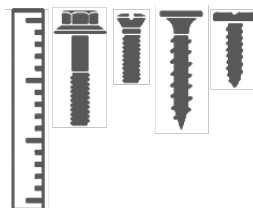
5 On each step read the instructions and analyze the illustrations thoroughly before proceeding to do the assembly.



10 If the hole seems too small for the screw, first make sure you are using the correct size of screw and that it's been installed in the correct hole. If the hole still appears to be too small, carefully pierce the laminate to reveal the hole's actual size.



6 Make sure you understand which hardware will be used on each step. Using the wrong size of screw, bolt or pin might strip the threads or cause damage to the part in which it is being used.



ASSEMBLY STEPS

STEP 1

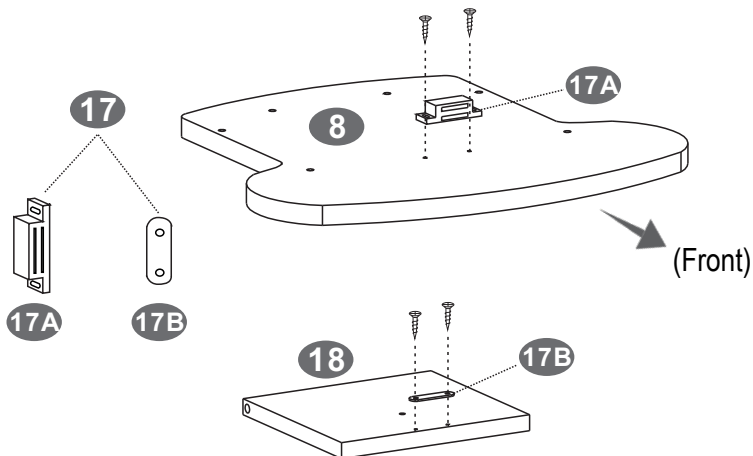
Use Screws (F) to fix the Magnetic Catch (17A) to the inside face of Top Panel (8).
Use Screws (F) to fix the Steel Plate (17B) to the Drawer Panel (18).

Screws:

F	3x15mm	x4
----------	--------	----



Scan QR Code to view this step



STEP 2

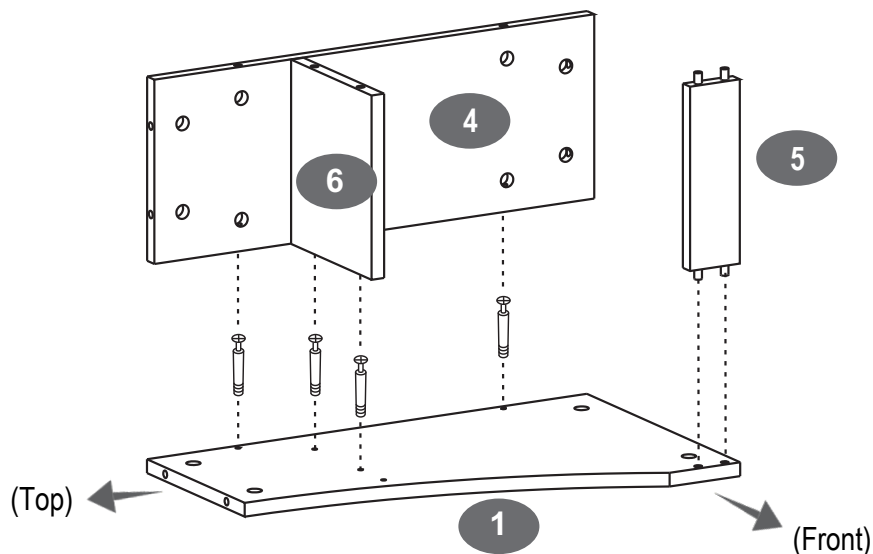
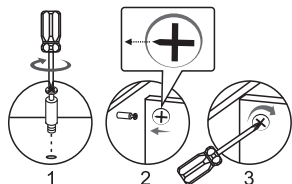
First screw bolts (D) into panel (1), then place down the Back panel (4), the Front panel (5) and the Mid panel (6) and assemble them by turning the cam locks on those panels as shown and as explained in page 3.

Screws:

D	6x40mm	x4
----------	--------	----



Scan QR Code to view this step



STEP 3

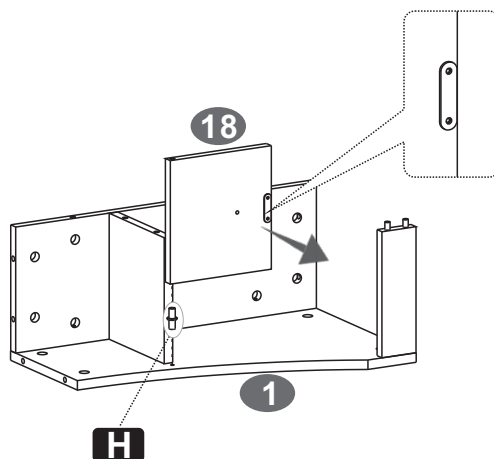
Insert one metal Pin (H) into the corresponding hole on panel (1), then place down the Drawer Panel (18), making sure the side with the metal plate faces outwards as shown.

Screws:

H	5x17mm	x1
----------	--------	----



Scan QR Code to view this step



STEP 4

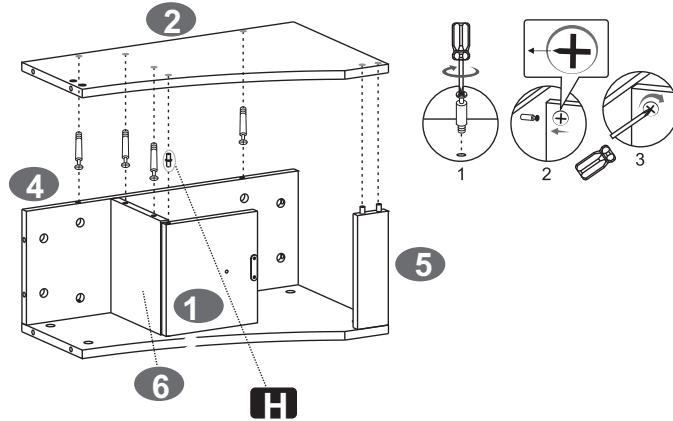
First screw the Bolts (D) to the inside face of the Right Panel (2). Then insert the other metal Pin (H) into the hole of Drawer Panel (18). Finally place down the panel (2) and assemble it to panels (1), (4) and (5) by turning the cam locks on those panels as shown and as explained in page 3.

Screws:

D	6x40mm	x4
H	5x17mm	x1



Scan QR Code to view this step



STEP 5

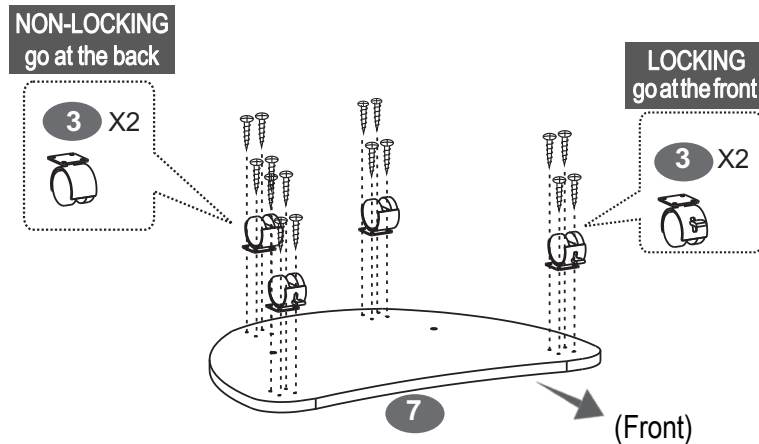
Use Screws (A) to assemble the Casters (3) to the back side of the Bottom Panel (7). Please note that the LOCKING casters go at the FRONT.

Screws:

A	4x14mm	x16
----------	--------	-----



Scan QR Code to view this step



STEP 6

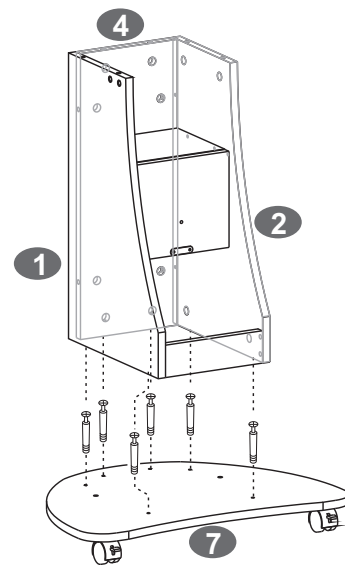
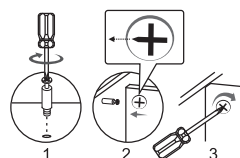
First screw the bolts (D) to the top surface of the bottom panel (7), then place down and assemble the semi structure built in step 4 by turning the cam locks on panels (1), (2) and (4) as shown and as explained in page 3.

Screws:

D	6x40mm	x6
----------	--------	----



Scan QR Code to view this step



STEP 7

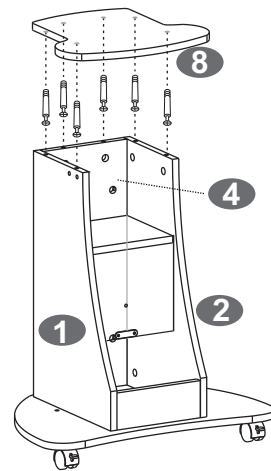
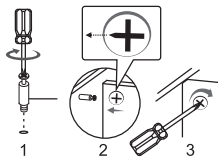
Screws:

D 6x40mm x6



Scan QR Code to view this step

First screw the bolts (D) to the top panel (8), then place it down and assemble it to the structure by turning the cam locks on panel (1), (2) and (4) as shown and as explained in page 3.



STEP 8

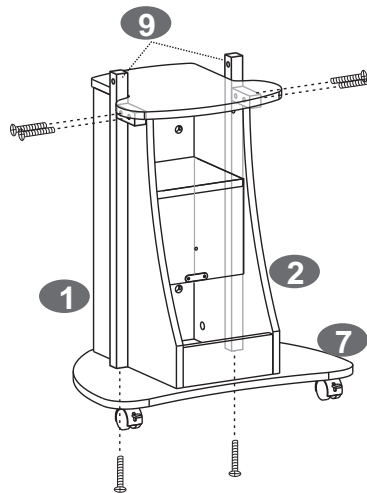
Screws:

C 6x35mm x6



Scan QR Code to view this step

Use screws (C) to fix the Lateral structure (9) to left and right panels (1), (2) and to the bottom panels (7).



STEP 9

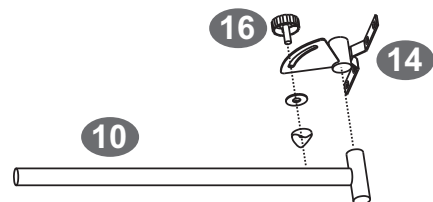
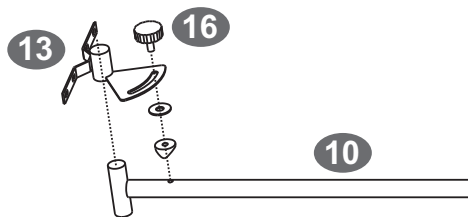
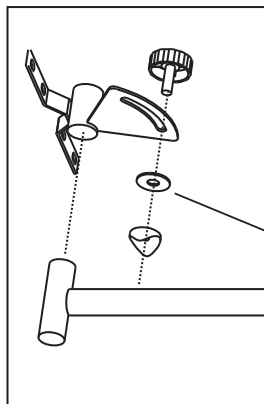
Screws:

I 25x15mm x2



Scan QR Code to view this step

First place the curved connector and washer (I) over the open hole on structure (10), then place the Right Tilting Mechanism (13), and finally insert the Screw Knob (16) and tighten to secure the parts as shown. Repeat the same procedure with the Left Tilting Mechanism (14).



⚠ IMPORTANT:
The washer goes in between the curved support and the tilting plate

STEP 10

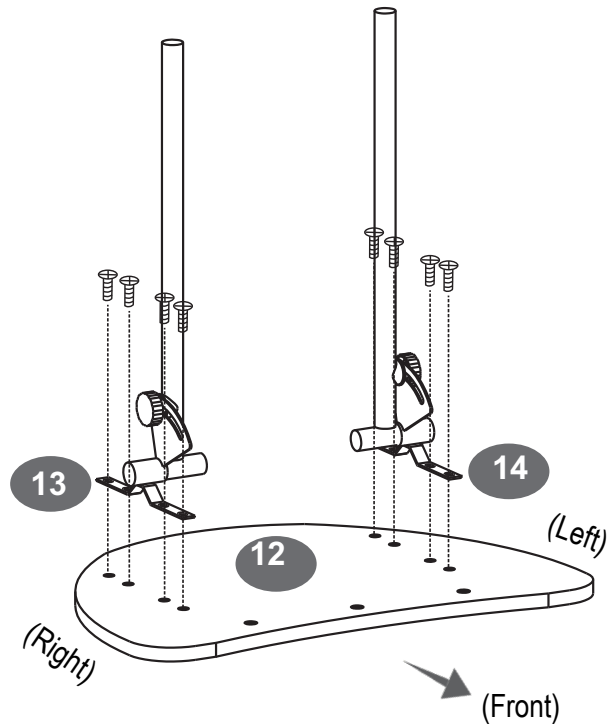
Use Screws (E) to fix the Left & Right Tilting Mechanisms (13) and (14) to the Main Panel (12) on the corresponding sides. Note that the pieces are shown below upside-down.

Screws:

E	6x12mm 	x8
---	---	----



Scan QR Code to view this step

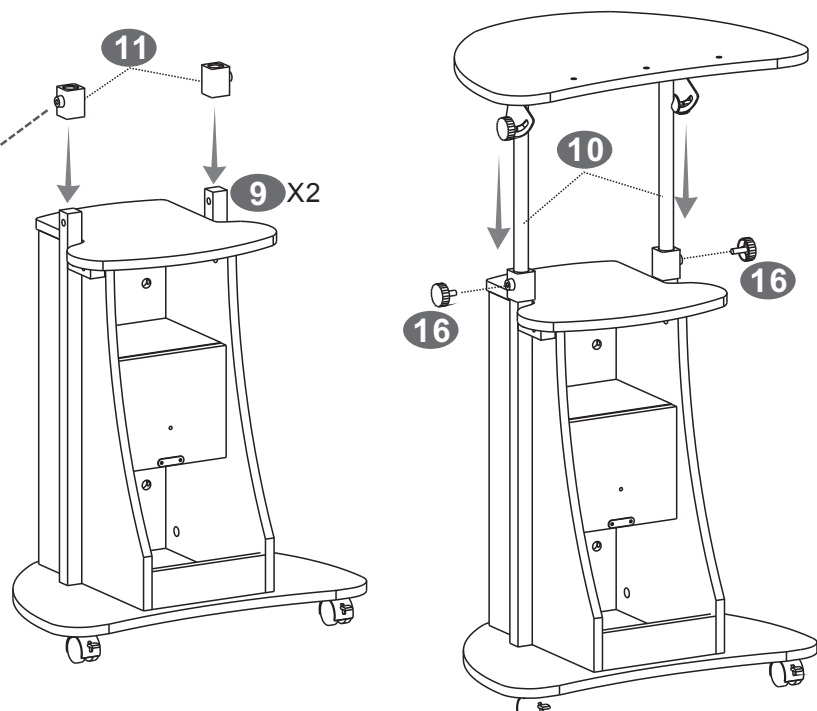
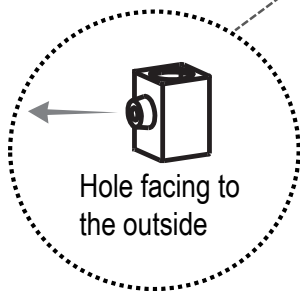


STEP 11

First place the Plastic Covers (11A) over the Lateral Structure Tubes (9) with their holes facing towards the outside, then slide the Top Structures (10) through the Plastic Covers (11A). Finally screw in the Knobs (16) into the Plastic Covers (11A).



Scan QR Code to view this step



STEP 12

Use Screws (B) to fix the Protection Rail (15) to the Main Panel (12).

Screws:**B**

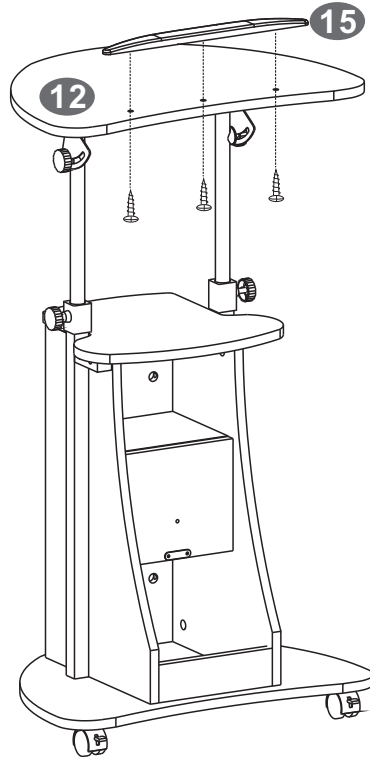
5X16mm



x3



Scan QR Code to
view this step

**STEP 13**

Use Screw (G) to fix the Handle (19) to the Drawer Panel (18).

Screws:**G**

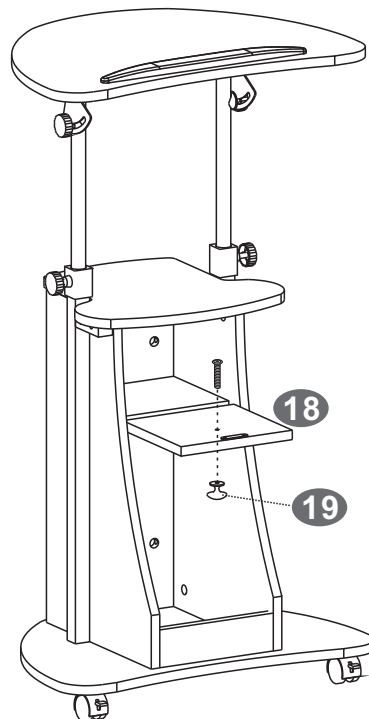
4x20mm



x1

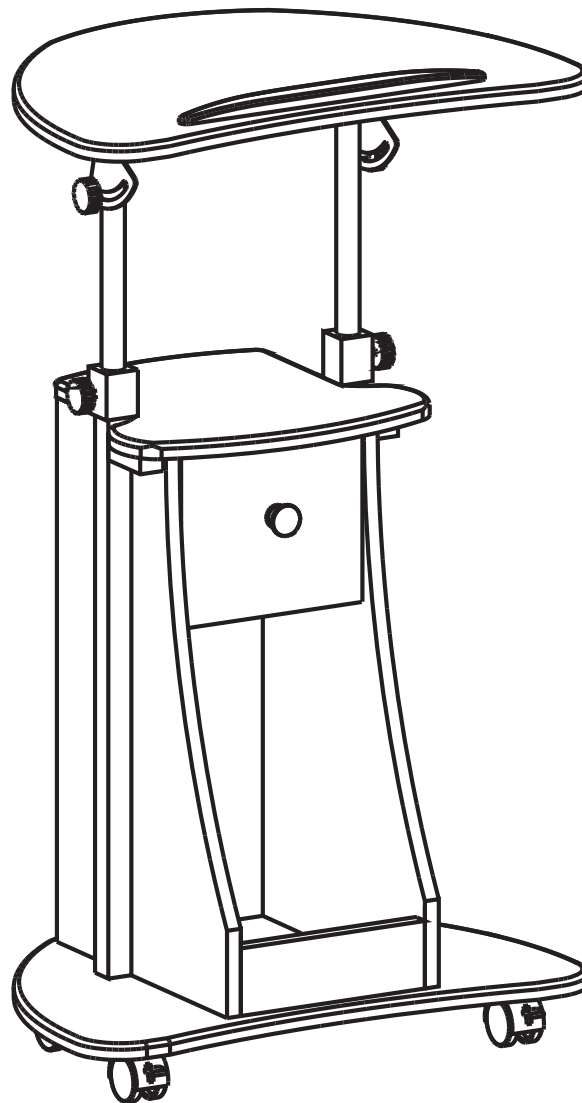


Scan QR Code to
view this step



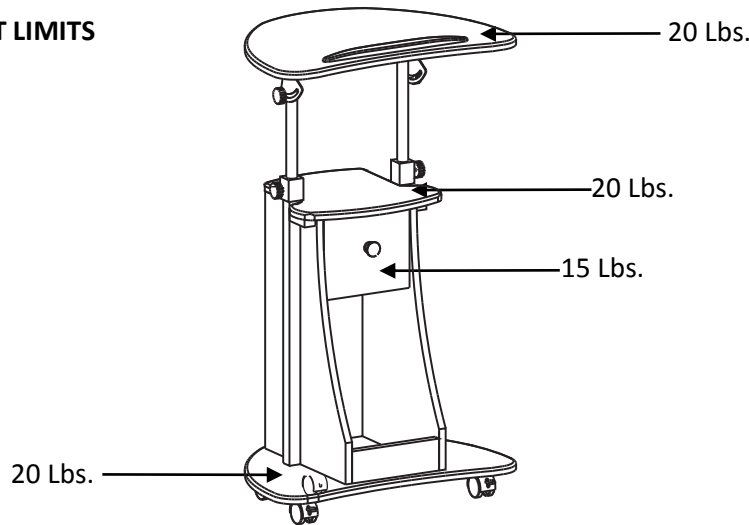
ALL DONE!

Give yourself a nice pat on the back. You did a great job!



AFTER THE ASSEMBLY IS DONE, PLEASE READ CAREFULLY THE FOLLOWING WARNINGS FOR CARE AND MAINTENANCE:

WEIGHT LIMITS



- Do not exceed the indicated weight limits.
- Do not expose the surfaces to direct sunlight or to extreme environmental conditions.
- Clean the surfaces preferable with a clean cloth damped in a solution of mild soap and water, then dry with a clean towel.
- Do not use solvents or abrasive materials to clean the unit.
- Do not seat on the unit or lean against it.
- Do not allow small children to play, climb, or adjust the height and tilting of the unit.
- Use caution when adjusting the height or tilting if there are objects or devices on the top that might roll or fall down.
- Use caution when lowering down the top if there are objects or devices beneath.
- Before moving the unit, make sure to unlock the locking casters on the front of the unit.
- When moving the unit, make sure to secure or remove any objects that might fall off.
- When transporting the unit to places far away, protect and secure the unit to avoid damage in transit.
- Shall any part of the unit become defective during the warranty period, replacement parts might be available to you at no charge. Please refer to the WARRANTY card included with the product.
- The warranty does not extend to regular wear and tear, nor the manufacturer assumes liability for damages or consequences due to accidents, incorrect assembly, negligence, improper use, modifications, or not heeding the above warnings.
- The warranty is limited to the continental United States. If you reside in Hawaii, Puerto Rico, U.S. Dependencies or other countries, please contact the supplier from where the unit was purchased.