

User Manual of Product 1:

Sun Joe SPX3000-XT1 XTREAM 13-Amp Electric High
Pressure Washer



13A ELECTRIC PRESSURE WASHER

2200 PSI MAX PRESSURE AT INITIAL DISCHARGE PER CSA INTERNAL PRESSURE TESTING
1.65 GPM MAX FLOW WITH NOZZLE OPEN AT MINIMUM PRESSURE

OPERATOR'S MANUAL

A Division of Snow Joe®, LLC

Model SPX3000-XT1

Form No. SJ-SPX3000-XT1-880E-MR1

IMPORTANT! Safety Instructions

All Operators Must Read These Instructions Before Use

⚠️ WARNING! This indicates a hazardous situation, which, if not avoided, could result in death or serious injury.

⚠️ CAUTION! This indicates a hazardous situation, which, if not avoided, could result in minor or moderate injury.

⚠️ DANGER! This indicates a hazardous situation, which, if not followed, will result in death or serious injury.

General Safety

⚠️ WARNING! This appliance is not intended for use by children or by unassisted, unsupervised persons whose physical, sensory or mental capabilities prevent them from using it safely. Children should be supervised to ensure that they do not play with the appliance.

Before starting up your machine, please check it carefully for any defects. If you find any, do not start up your machine. Contact your authorized Snow Joe® + Sun Joe® dealer or call the Snow Joe® + Sun Joe® customer service center at 1-866-SNOWJOE (1-866-766-9563).

⚠️ WARNING! When using the pressure washer, basic safety precautions should always be followed to reduce the risk of fire, electric shock, and personal injury. These include:

- **Know your product** – Know how to stop the machine and bleed pressure quickly. Thoroughly familiarize yourself with the controls.
- **Keep bystanders away** – All visitors and pets should be kept a safe distance away from the work area.
- **Use the right product** – Do not use this machine for any job except that for which it is intended.
- **Dress properly** – Do not wear loose clothing or jewelry. They can get caught in moving parts. Protective rubber gloves and non-slip footwear are recommended when working outdoors.
- **⚠️ CAUTION!** – Exercise caution to avoid slipping or falling. Wear protective footwear that will protect your feet and improve your footing on slippery surfaces.

- **Stay alert** – Watch what you are doing. Use common sense. Do not operate the pressure washer when you are tired, or under the influence of alcohol or drugs.
- **WARNING! Risk of Injection or Injury** – Do not direct discharge stream at persons.
- **Do not overreach** – Keep proper footing and balance at all times.
- **Avoid unintentional starting** – Do not carry a plugged-in machine with your finger on the trigger. Make sure the switch is off before plugging in the machine.
- **Do not abuse the cord** – Never carry the machine by the cord or yank the cord to disconnect it from the receptacle. Keep the cord away from heat, oil, and sharp edges.
- **Use safety glasses** – Also use safety footwear, snug-fitting clothing, protective gloves, hearing and head protection.
- **Check the water temperature** – This pressure washer is not meant to pump hot water. **NEVER** connect it to a hot water supply as it will significantly reduce the life of the pump.
- **Store indoors** – **NEVER** store the pressure washer outdoors or where it could freeze. The pump could be seriously damaged.
- **Inspect electrical cables** – The insulation of the power cord should be perfectly intact. If the power cord is damaged or shows any signs of wear or tear, do not use the pressure washer. Contact your authorized Snow Joe® + Sun Joe® dealer or call the Snow Joe® + Sun Joe® customer service center at 1-866-SNOWJOE (1-866-766-9563).

⚠️ WARNING! Do not use this appliance without reading this instruction manual.

⚠️ WARNING! This appliance has been designed for use with cleaning agents that are recommended by the manufacturer. The use of other cleaning agents or chemicals may adversely affect the safety of the appliance.

⚠️ WARNING! Do not use the appliance within range of persons unless they are wearing protective clothing.

⚠️ WARNING! High-pressure jets can be dangerous if subject to misuse. The jet must not be directed at persons, pets, live electrical equipment, or the appliance itself.

- Do not direct the jet at yourself or others in order to clean clothes or footwear.
- **Risk of explosion** – Do not spray flammable liquids.
- **Disconnect the tool** – Disconnect from the electrical power supply before performing any maintenance task.

- **Keep children away** – This high-pressure electric power washer must not be used by children or untrained personnel.
- To ensure appliance safety, use only original replacement parts from the manufacturer or those approved by the manufacturer.

⚠ CAUTION! To prevent damage to the appliance, do not allow it to operate dry. Before starting the appliance, make sure that it has proper and stable supply of water.

⚠ WARNING! Water that has flowed through backflow preventers is considered to be non-potable.

⚠ WARNING! During cleaning, maintenance or when replacing parts, the machine must be disconnected from its power source by removing the plug from the socket outlet.

⚠ WARNING! High-pressure hoses, fittings, and couplings are important for the safe operation of the appliance. Use only hoses, fittings, and couplings recommended by the manufacturer.

- **Check for damaged parts** – Do not use the appliance if the supply cord or other important parts of the appliance are damaged (e.g. safety devices, high-pressure hoses, trigger gun).

⚠ WARNING! If an extension cord is used, the plug and socket must be of watertight construction.

⚠ WARNING! Inadequate extension cords can be dangerous.

- This high-pressure electric power washer must not be used at temperatures below 32°F (0°C).

⚠ WARNING! Power cords on drums should always be completely unwound to prevent the cord from overheating.

- Power cord connections should be kept dry and off the ground.
- If the power cord is damaged, do not use the appliance. Contact your authorized Snow Joe® + Sun Joe® dealer or call the Snow Joe® + Sun Joe® customer service center at 1-866-SNOWJOE (1-866-766-9563).
- Keep the machine on a stable, flat surface during operation, handling, transportation, and storage. Sudden overturn of the machine can cause bodily injury.
- In the event of an accident or breakdown, switch off the machine immediately. (If contact with detergent occurs, rinse with an abundance of clean water.)

Electrical Safety

ATTENTION: If there are problems with the electrical MAINS, short voltage drops may appear when starting the equipment. This can, in turn, influence other equipment (e.g. cause a lamp to blink). If the MAINS-IMPEDANCE $Z_{max} < 0.335 \text{ OHM}$, such disturbances are not expected. (If you require assistance, contact your local supply authority for further information.)

⚠ WARNING! Electrical Shock Hazard – Before starting up your machine, please check it carefully for any defects. If you find any, do not start up your machine and contact your distributor.


The following should be observed when connecting the high-pressure electric power washer to the electric supply:

- The electric supply connection should be performed by a qualified person.
- The electric supply to this appliance should include either a residual current device that will interrupt the supply if the leakage current to the earth exceeds 30 mA for 30 ms or a device that will interrupt the earth circuit (GFCI).

IMPORTANT: Only use water without any impurities. If there is a risk of running sand into the inlet water (i.e. from your own well), an additional filter should be installed.

Safety Devices

The unloader valve can reduce pressure if it exceeds preset values. The spray gun features a locking device. When the lock is activated, the spray gun cannot be operated.

- 1. Thermal sensor** – A thermal sensor protects the motor against overloading. The machine will restart after a few minutes when the thermal sensor has cooled.
- 2. Double insulation** – In a double-insulated appliance, two systems of insulation are provided instead of grounding. No grounding means is provided on a double-insulated appliance, nor should a means for grounding be added to the appliance. Servicing a double-insulated appliance requires extreme care and knowledge of the system, and should be performed only by qualified service personnel at an authorized Snow Joe® + Sun Joe® dealer. Replacement parts for a double-insulated appliance must be identical to the parts they replace. A double-insulated appliance is marked with the words “Double Insulation” or “Double Insulated.” The symbol  (square within a square) may also be marked on the appliance.
- 3. Ground fault circuit interrupter (GFCI) protection** – this product is provided with a Ground Fault Circuit Interrupter built into the power cord plug. This device provides additional protection from the risk of electric shock. If replacement of the plug or cord is needed, use only identical replacement parts that include GFCI protection.

- It is not recommended to use an extension cord with this pressure washer. The unit comes standard with a 35 ft GFCI power cable. Using an extension cord may cause a drop in line voltage resulting in loss of power and overheating.

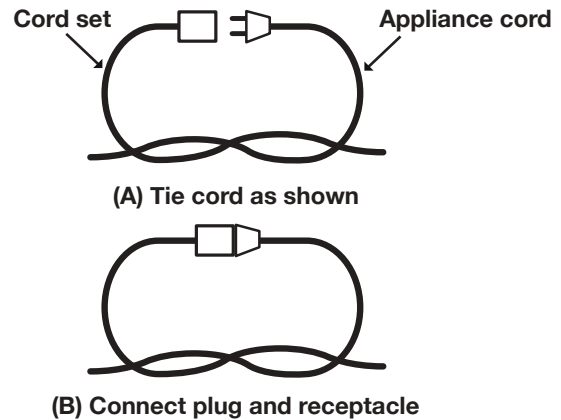
Use only extension cords that are intended for outdoor use. These extension cords are identified by marking "Acceptable for use with outdoor appliance; store indoors while not in use". Use only extension cord having an electrical rating not less than the rating of the product. Do not use damaged extension cords. Examine extension cord before using and replace if damaged. Do not abuse extension cord and do not yank on any cord to disconnect. Keep cord away from heat and sharp edges. Always disconnect extension cord from the receptacle before disconnecting the product from the extension cord.

- To reduce the risk of electric shock, this appliance has a polarized plug (i.e. one blade is wider than the other). The appliance plug will fit into a polarized outlet only one way.

If the appliance plug does not fit fully into the outlet, reverse the plug. If the plug still does not fit, make sure that you are using the correct polarized wall outlet. If the plug still does not fit, contact a qualified electrician to install the proper wall outlet. Do not modify the appliance plug, power cord receptacle, or power cord plug in any way.

- To prevent the appliance cord from disconnecting from the extension cord during operation, make a knot with the two cords as shown in Table 1.

Table 1. Method of Securing Extension Cord



- Do not abuse the cord. Never pull the pressure washer by the cord or yank the cord to disconnect it from the receptacle. Keep the cord away from heat, oil, and sharp edges.

WARNING	
<p>Electric shock may cause SEVERE INJURY or DEATH. Heed these warnings:</p> <ul style="list-style-type: none"> Do not allow any part of the electric pressure washer to make contact with water while it is in operation. If the appliance becomes wet while turned off, wipe dry before starting. Do not use an extension cord over 25 ft. The pressure washer comes equipped with a 35 ft power cable. Combined cord length must not exceed 60 ft. Any extension cord must be 14-gauge (or heavier) to safely power the pressure washer. Do not touch the appliance or its plug with wet hands or while standing in water. Wearing rubber boots offers some protection. 	
EXTENSION CORD CHART	
Cord Length:	25 ft (7.6 m)
Min. Wire Gauge (A.W.G.):	14

Risk of Electrocution

- Inspect cord before using.
- Do not use if cord is damaged.
- Keep all connections dry and off the ground.
- Do not touch plug with wet hands.
- Keep cord away from heat and sharp edges.
- Do not spray electrical apparatus and wiring.

Risk of Explosion

- Do not spray flammable liquids.
- Do not use acids, bases, solvents, or any flammable material in this product. These substances can cause physical injuries to the operator and irreversible damage to the machine.

Additional Safety Instructions

- High-pressure: keep clear of nozzle.
- Injection hazard: equipment can cause serious injury if the spray penetrates the skin.
- Do not point the gun at anyone or at any part of the body.
- In case of skin penetration, seek medical aid immediately.
- Before servicing, cleaning, or removing any parts, shut off the power and relieve pressure.
- This machine is not suitable for connection to the potable water mains.

Product Description

Purpose














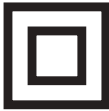
- This high-pressure electric power washer is intended for residential use to clean vehicles, machines, buildings, facades, etc.

Areas of Application

- Never use the machine in potentially explosive areas under any circumstances!
- The operating temperature must be between 32°F (0°C) and 104°F (40°C).
- The machine consists of an assembly with a pump, which is encased in a shock-absorbing housing. To provide the operator with an optimal working position, the machine is equipped with a stainless steel lance and a non-slip handle grip, whose shape and configuration comply with applicable regulations.
- Do not cover or modify the stainless steel lance or the spray nozzles in any way.
- The high-pressure electric power washer is designed to be used with cold or lukewarm water; higher temperatures can damage the pump.
- Do not use water that is dirty, gritty, or contains any chemical products, as these could impair operation and shorten the life of the machine.

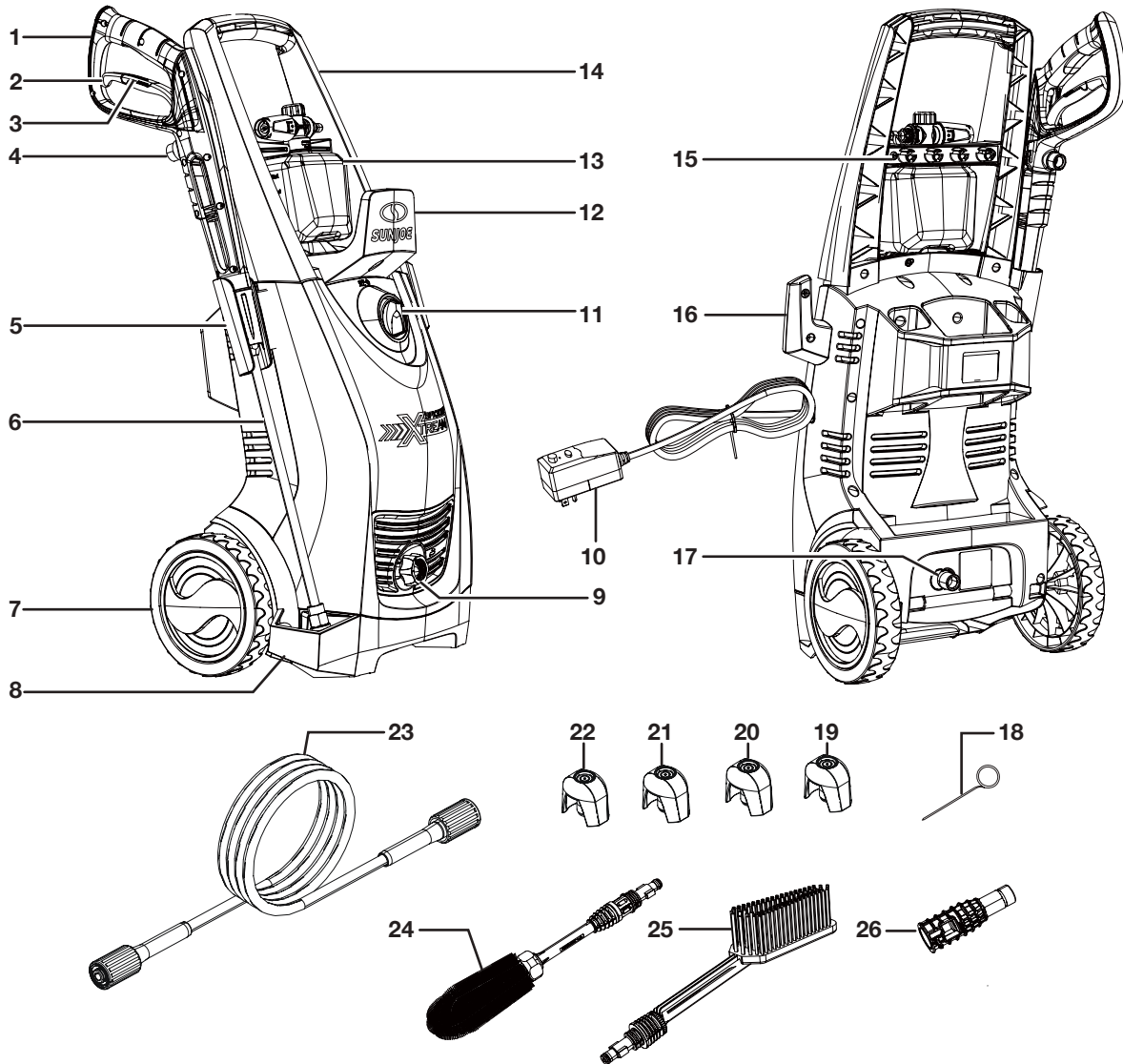
Safety Symbols

The following table depicts and describes safety symbols that may appear on this product. Read, understand, and follow all instructions on the machine before attempting to assemble and operate.

Symbols	Descriptions	Symbols	Descriptions
	READ THE OPERATOR'S MANUAL(S) – Read, understand, and follow all instructions in the user manual(s) before attempting to assemble and operate.		WARNING! Electrical shock hazard.
	SAFETY ALERT – Indicates a precaution, a warning, or a danger.		WARNING! Do not expose the unit to rain or wet conditions. Keep dry.
	WEAR EYE AND HEARING PROTECTION – For protection against injury, wear ear defenders and safety goggles.		To reduce the risk of injury, user must keep all bystanders at least 49 ft (15 m) away.
	Wear safety gloves during use to protect hands.		Wear non-slip footwear that will protect your feet and improve your footing on slippery surfaces.
	Store indoors. Never store the pressure washer outdoors. If the pump freezes, permanent damage may result.		Machine not suitable for connection to the potable water mains.
	Always keep the power cable away from heat sources, oils, or sharp edges. Immediately remove plug from the mains if the cable is damaged, frayed, or entangled.		WARNING! Turn the machine OFF and disconnect it from the power supply before inspecting, cleaning, changing accessories, or conducting any other maintenance task.
	Sound power level is 96 dB(A).		Double Insulation – When servicing, use only identical replacement parts.

Know Your Electric Pressure Washer

Read the owner's manual and safety instructions carefully before operating the electric pressure washer. Compare the illustration below to the electric pressure washer in order to familiarize yourself with the location of the various controls and adjustments. Save this manual for future reference.



- | | | |
|---|---|---------------------------------------|
| 1. Trigger gun | 10. Power cord with GFCI | 19. 0° Quick-Connect nozzle (red) |
| 2. Trigger | 11. On/Off switch | 20. 15° Quick-Connect nozzle (yellow) |
| 3. Safety lock | 12. Hose holder | 21. 25° Quick-Connect nozzle (green) |
| 4. High-pressure hose connection | 13. Detergent bottle with foam cannon | 22. 40° Quick-Connect nozzle (gray) |
| 5. Trigger gun holder | 14. Transport handle | 23. High-pressure hose |
| 6. Stainless steel lance | 15. Onboard storage for Quick-Nozzles | 24. Wheel + rim brush |
| 7. Wheel (2) | 16. Cord holder | 25. Utility bristle brush |
| 8. Spray wand protector | 17. Water outlet (high-pressure connection) | 26. Transfer adapter |
| 9. Garden hose adapter (female coupler) | 18. Needle clean-out tool | |

Technical Data

Rated Voltage	120V ~ 60 Hz
Motor	13-amp
Max Water Inlet Temperature	104°F/40°C
Max Water Inlet Pressure	0.7 MPa
Max Pressure at initial discharge	2200 PSI per CSA internal pressure testing
Rated Pressure under typical load	1700 PSI
Max Flow with nozzle open	1.65 GPM at minimum pressure
Rated Flow under typical load	1.2 GPM
Steel-reinforced	20 ft (6 m)
High Pressure Hose Length	
Detergent Bottle Capacity	33.8 fl oz (1 L)
Power Cord Length	35 ft (GFCI Protected)
Net Weight	28.4 lbs (12.9 kg)

Unpacking

Carton Contents

- Electric pressure washer
- Transport handle
- Trigger gun
- Stainless steel lance
- Four (4) Quick-Connect nozzles (0°, 15°, 25°, and 40°)
- Detergent bottle with foamer cannon
- Wheel + rim brush
- Utility bristle brush
- Transfer adapter
- Four (4) large screws
- Two (2) small screws
- Spray wand protector
- Trigger gun holder
- Hose holder
- Needle clean-out tool
- High-pressure hose
- Garden hose adapter (female coupler) with two sealing rings
- Manual with registration card

1. Carefully remove the pressure washer and check to see that all of the above items are supplied.
2. Inspect the product carefully to make sure no breakage or damage occurred during shipping. If you find damaged or missing parts, DO NOT return the unit to the store. Please call the Snow Joe® + Sun Joe® customer service center at 1-866-SNOWJOE (1-866-766-9563).

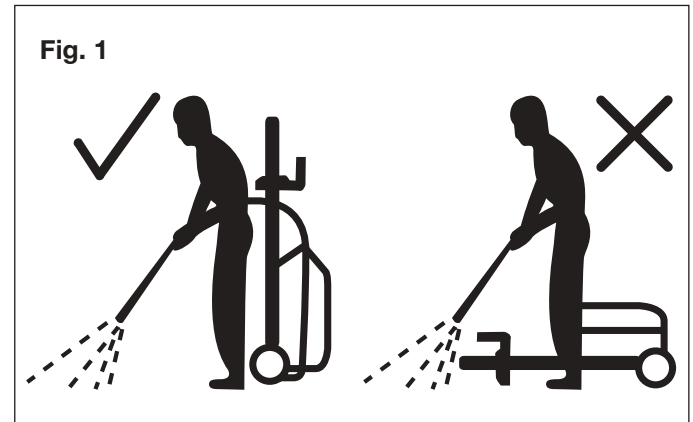
NOTE: Do not discard the shipping carton and packaging material until you are ready to use your new electric pressure washer. The packaging is made of recyclable materials. Properly dispose of these materials in accordance with local regulations.

IMPORTANT! The equipment and packaging material are not toys. Do not let children play with plastic bags, foils, or small parts. These items can be swallowed and pose a suffocation risk!

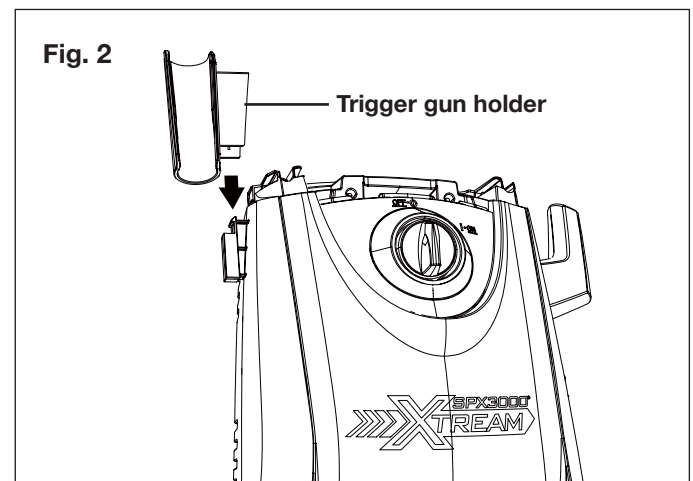
⚠️ WARNING! Do not connect to power supply until assembly is complete. Failure to comply could result in accidental starting and possible serious personal injury.

Assembly

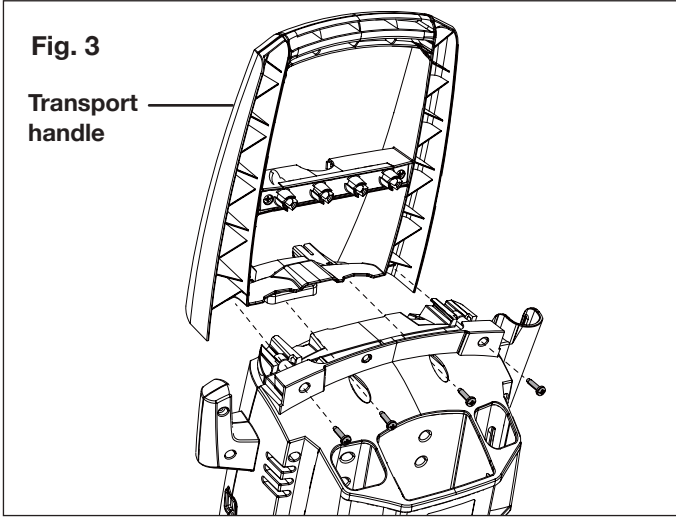
1. Position the washer as CLOSE as possible to the water supply.
2. The washer must be used on a secure and stable surface in a standing, upright position (Fig. 1).



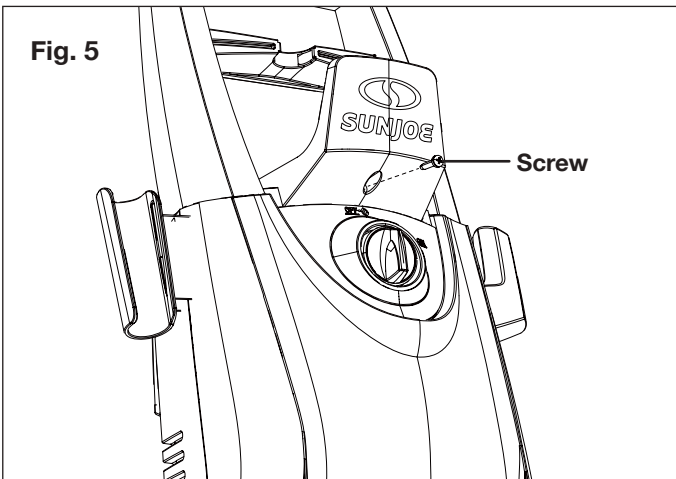
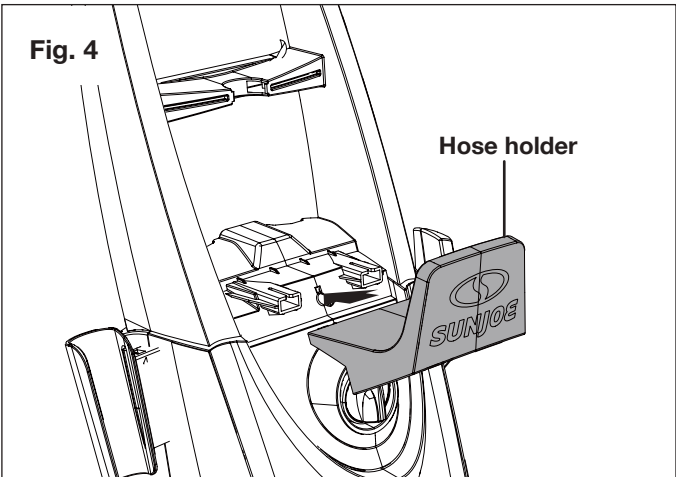
3. Slide the trigger gun holder into position (Fig. 2).



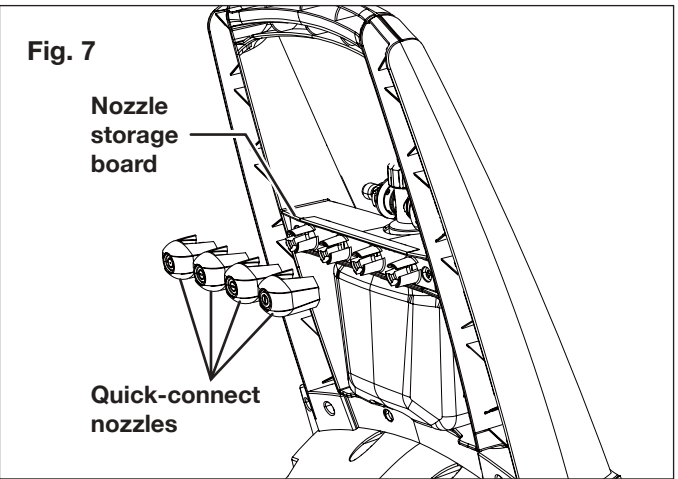
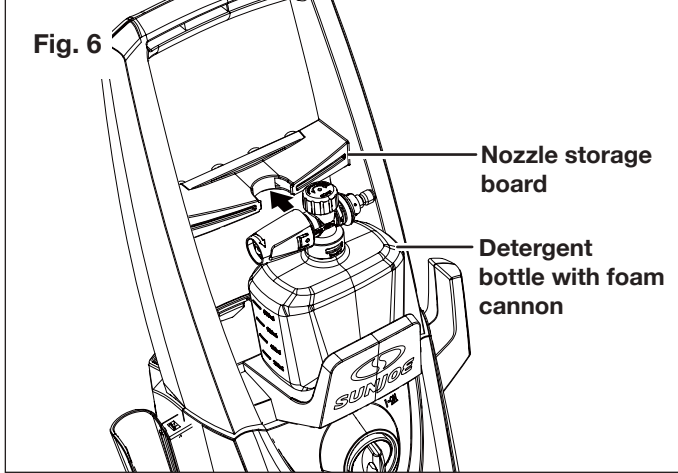
4. Slide the transport handle into position and secure it with 4 large screws (Fig. 3).



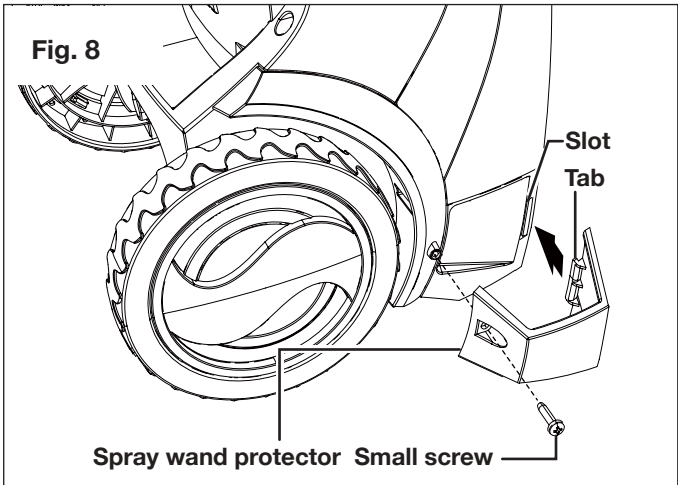
5. To assemble the hose holder, slide the holder into position (Fig. 4) and secure it to the unit with one small screw (Fig. 5).



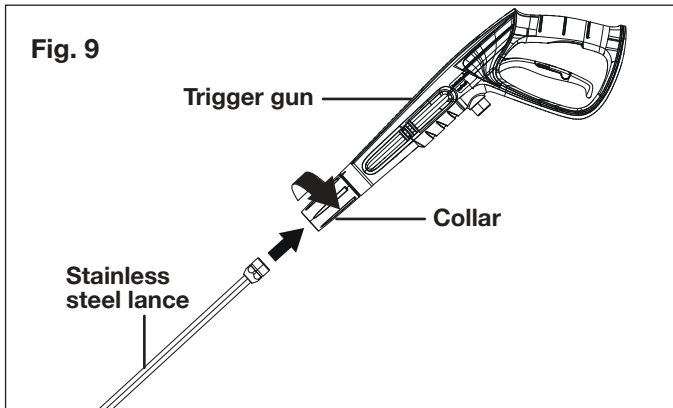
6. Click the detergent bottle with foam cannon and the 4 quick-connect nozzles in place in front and back of the nozzle storage board (Figs. 6 - 7).



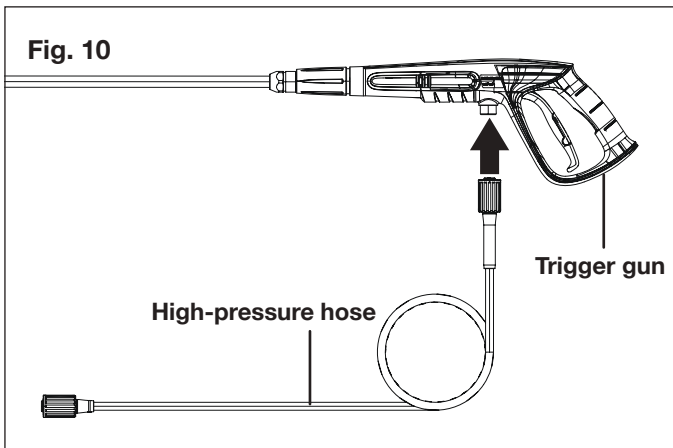
7. To assemble the spray wand protector, first snap the tab into the slot located at the bottom left side of the unit, and then secure it in place with the remaining small screw (Fig. 8).



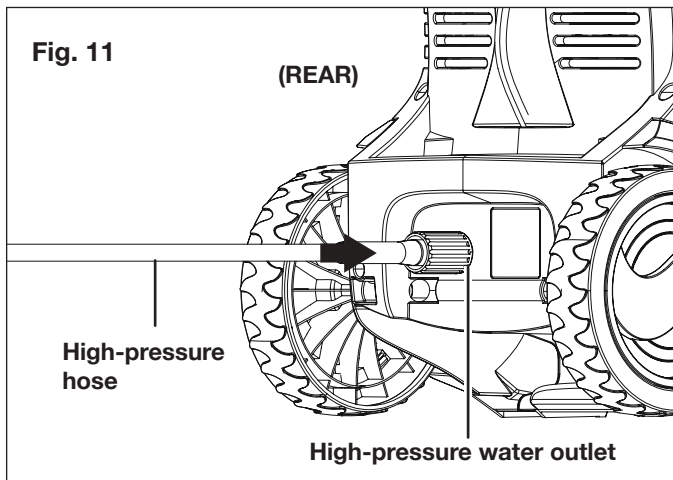
8. Fit the stainless steel lance into the trigger gun and rotate the collar until the two parts are completely locked (Fig. 9).



9. Connect the high-pressure hose to the trigger gun (Fig. 10).



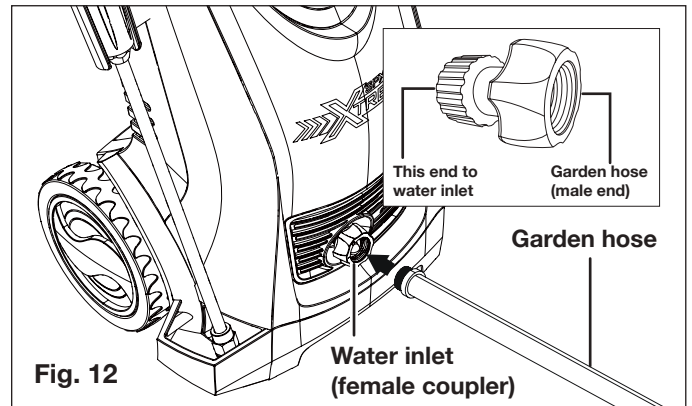
10. Connect the high-pressure hose to the water outlet on the washer (Fig. 11).



⚠ WARNING! Keep hose away from sharp objects. Bursting hoses may cause injury. Examine hoses regularly and replace if damaged. Do not attempt to mend a damaged hose.

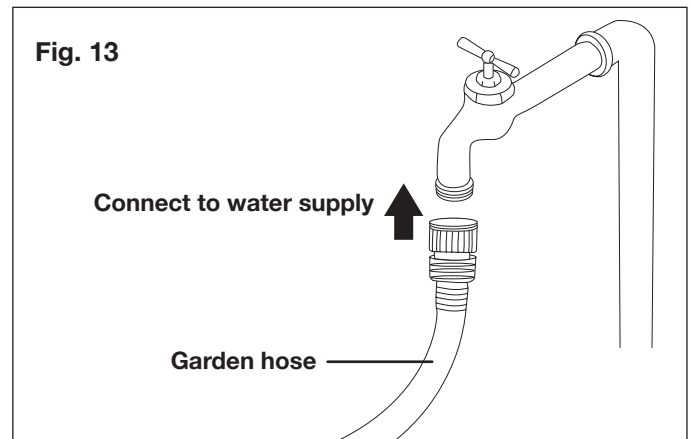
11. Connect the garden hose adapter (female coupler) to the water inlet of the pressure washer, then thread your garden hose (male end) into the garden hose adapter (Fig. 12). The garden hose must have an internal diameter of at least 13 mm (1/2 in.) and must be reinforced. The water supply must be at least equal to the washer delivery capacity.

NOTE: The machine is not suitable for connection to the potable water main.



⚠ WARNING! The machine is not suitable for connection to the potable water main.

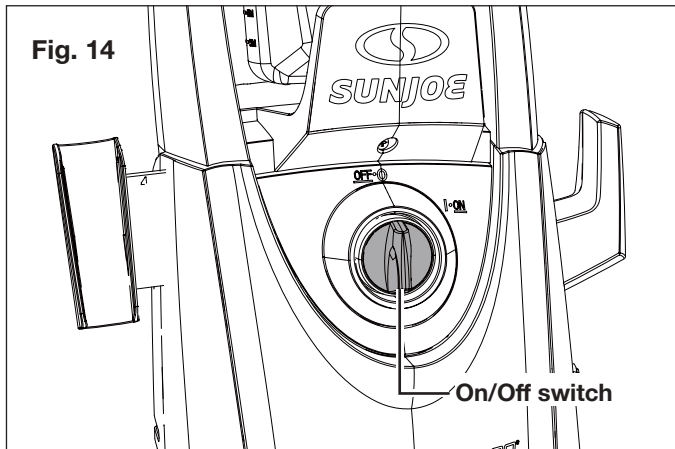
12. Attach garden hose to water supply (Fig. 13).



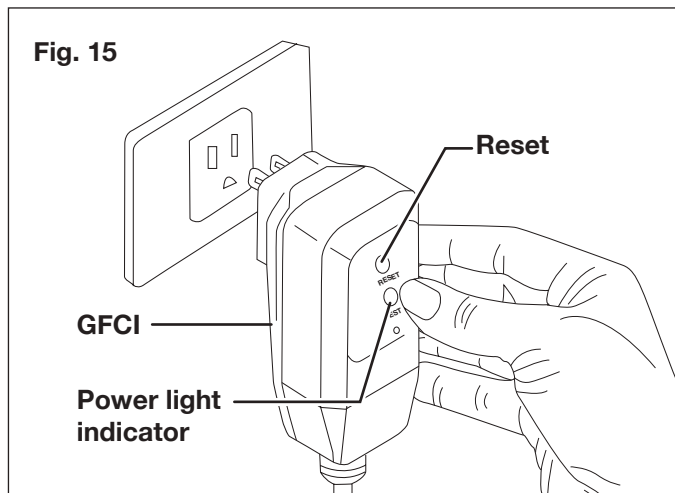
⚠ WARNING! The intake water temperature must not exceed 104°F/40°C. The water supply must not exceed 0.7 MPa.

⚠ CAUTION! The washer must only be used with clean water; use of unfiltered water containing corrosive chemicals will damage the washer.

13. Make sure the On/Off switch is set to the OFF (0) position before plugging the unit into the power outlet (Fig. 14).



14. Check that the electrical supply voltage and frequency (Volt/Hz) correspond to those specified on the pressure washer rating plate. If the power supply is correct, you may now plug the pressure washer into the power outlet (Fig. 15).

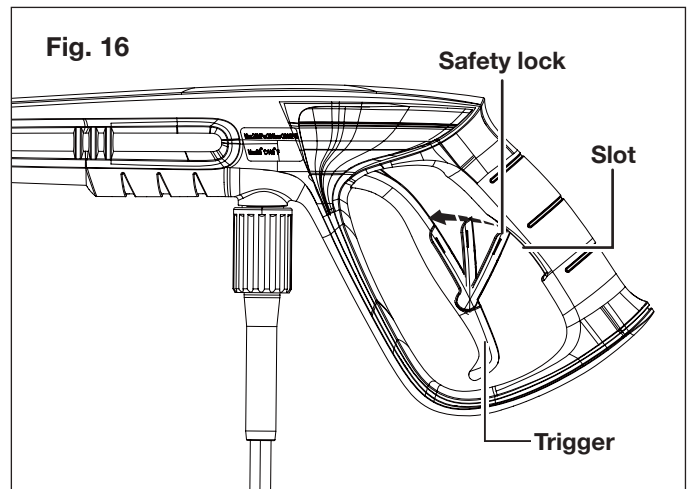


NOTE: The GFCI may need to be reset when first plugged into the electric outlet. Press the "Reset" button until the power light indicator on the GFCI illuminates.

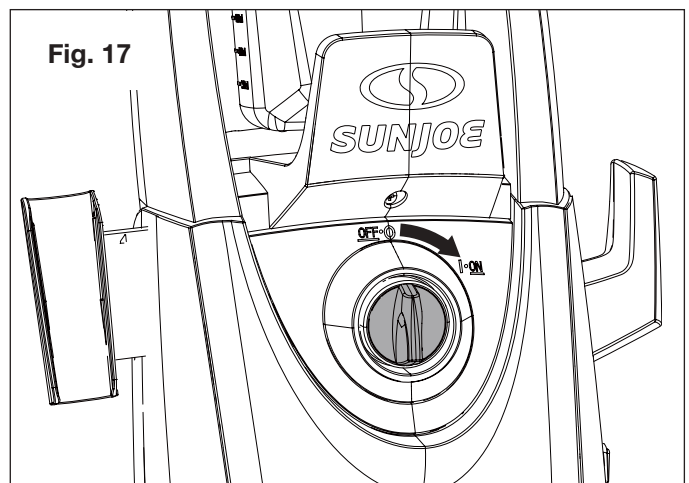
Operation

⚠️ IMPORTANT! This pressure washer is equipped with a micro-switch sensitive to water flow. This Total Stop System (TSS) senses water flow in the pump. When the trigger is released, water stops flowing through the pump. The TSS then automatically turns the motor off to protect the pump from overheating, thus saving energy and prolonging pump life.

1. Turn the water supply tap on completely.
2. Make sure the safety lock is down and in its original position (Fig. 16), then press the trigger for a few seconds until water flow is steady. This will allow air to escape and discharge any residual pressure in the hose.



3. Turn the switch to the ON (I) position to start the pressure washer (Fig. 17).



Using the Nozzles

Before beginning any cleaning task, determine the best nozzle for the job. Each of the nozzles has a different spray pattern. The nozzle patterns are 40° (for gentle cleaning), 25° (for all-purpose cleaning), 15° (for tough jobs), and the 0° (for spot cleaning or hard-to-reach areas).

⚠️ CAUTION! NEVER change nozzles without locking the safety lock on the trigger handle.

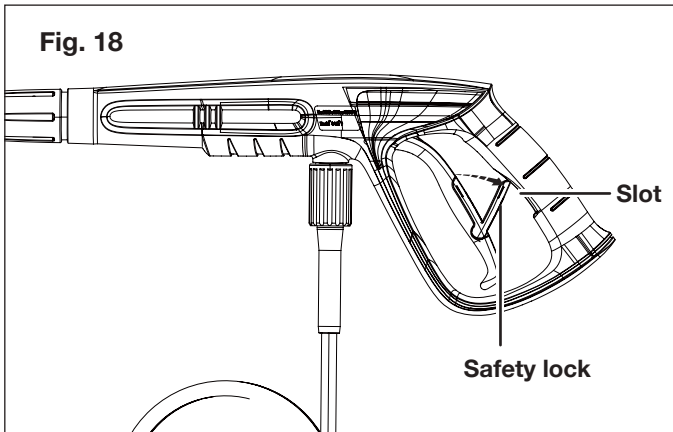
⚠️ WARNING! High-pressure jets can be dangerous if subject to misuse. The jet must not be directed at persons, pets, live electrical equipment, or the appliance itself.

This electric pressure washer is equipped with four (4) Quick-Connect nozzles that easily snap onto the Quick-Connect collar of the stainless steel lance.

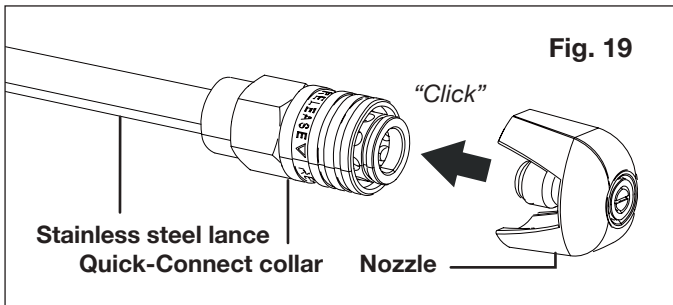
To connect a nozzle to the stainless steel lance:

1. Turn off the pressure washer and shut off the water supply. Pull the trigger to release water pressure.

- Engage the safety lock on the trigger handle by pushing up on the safety lock until it *clicks* into the slot (Fig. 18).



- Snap the desired nozzle onto the Quick-Connect collar until it *clicks* into place (Fig. 19).



To disconnect a nozzle from the stainless steel lance once the cleaning job is complete:

- Turn off the pressure washer and shut off the water supply. Pull the trigger to release water pressure.
- Engage the safety lock on the trigger handle by pushing up on the safety lock until it *clicks* into the slot (Fig. 18).
- Remove the nozzle by placing your hand over the nozzle while pulling back on the Quick-Connect collar.

⚠️ WARNING! Do not make changes to the nozzle while the trigger is engaged. Doing so could result in damage to the pressure washer or injury to the user.

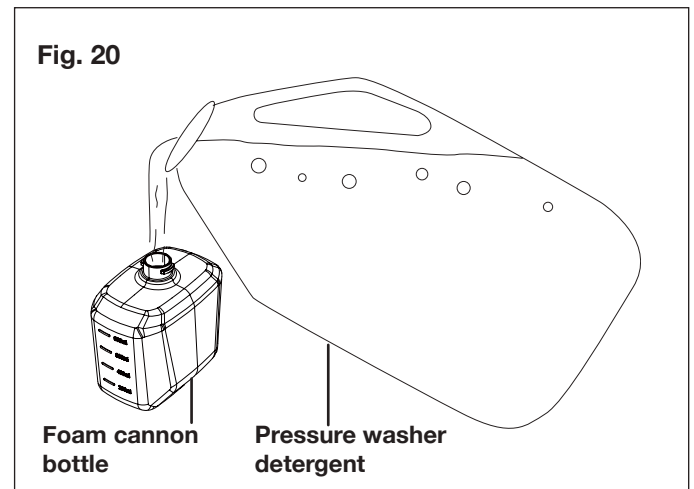
Working with Detergents

When cleaning with the pressure washer, some cleaning tasks can be solved with water alone, but for most tasks cleaning with detergent allows for more effective dirt removal.

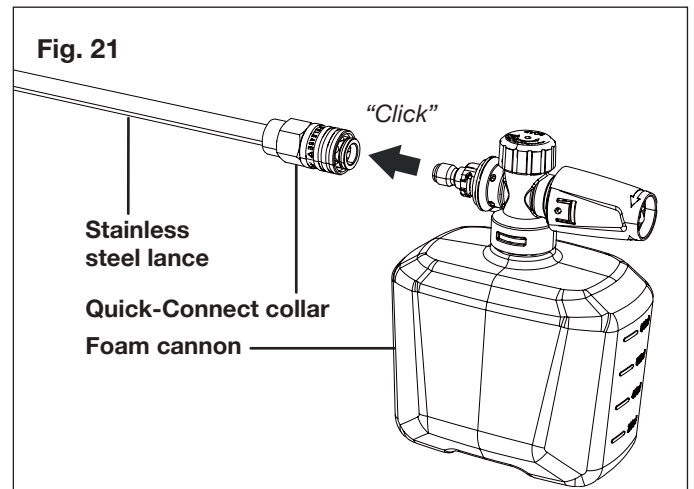
For additional cleaning power, the unit comes equipped with a detergent spray bottle with foam cannon.

⚠️ WARNING! Use only detergents specifically designed for use with pressure washers, such as Sun Joe® HOUSE + DECK WASH (SPX-HDC1G), Sun Joe® SNOW FOAM AUTO WASH (SPX-FCS1G), or Sun Joe® HEAVY DUTY CLEANER (SPX-APC1G). **DO NOT USE** household detergents, acids, alkaline solutions, bleaches, solvents, flammable material, or industrial grade solutions. These could damage the pressure washer. Many detergents may require mixing prior to use. Prepare the cleaning solution as instructed on the solution bottle.

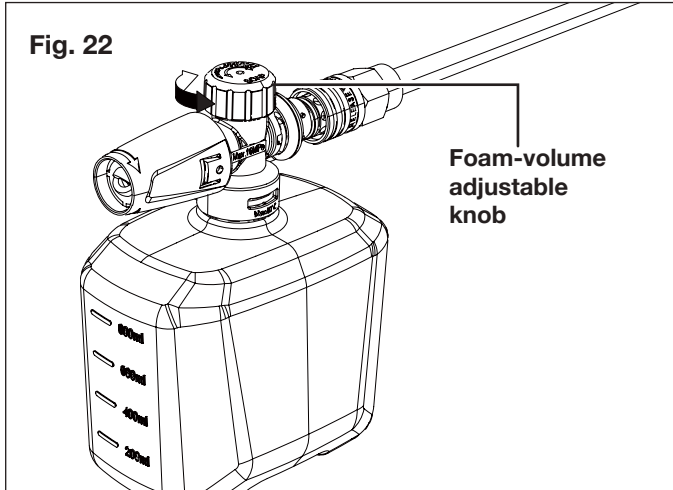
- Remove the foam cannon from the nozzle storage board. Remove the foam cannon cap with detergent suction tube from the bottle.
- Fill the foam cannon bottle with detergent designed specifically for use with pressure washers (Fig. 20).



- Recap the foam cannon, and attach it to the stainless steel lance by snapping it onto the Quick-Connect collar until it *clicks* into place (Fig. 21).



- The foam cannon is featured with a foam-volume adjustable knob. Follow the instructions as shown to use the foam-volume adjustable knob (Fig. 22).



5. Apply detergent from the bottom to the top of the dry surface to be cleaned. Applying detergent in this manner will dissolve dirt most effectively.

NOTE: Wetting the surface first is not recommended as it dilutes the detergent and reduces its cleaning ability.

CAUTION! Always test the detergent in an inconspicuous area before use.

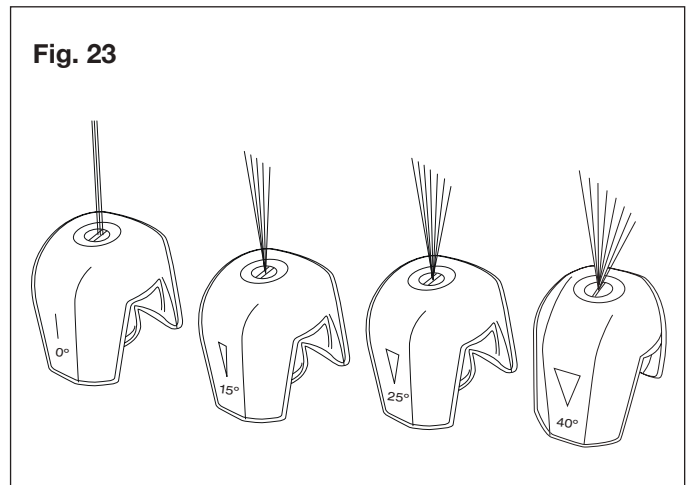
6. Allow the detergent to remain on the surface for a short time before rinsing with the pressure washer. Do not allow the detergent to dry on the surface.

CAUTION! Damage may occur to painted surfaces if the detergent is allowed to dry on the surface. Wash and rinse a small section at a time. Avoid working on hot surfaces or in direct sunlight.

Rinsing with the Pressure Washer

1. Turn off the pressure washer and shut off the water supply.
2. Pull the trigger to release water pressure.
3. Engage the safety lock on the trigger handle by pushing up on the safety lock until it clicks into the slot (Fig. 18).
4. Remove the detergent bottle with foam cannon by holding the bottle while pulling back on the Quick-Connect collar.

5. Select the right nozzle for the job (Fig. 23):



- i) The 0° intense-jet nozzle (red) is an extremely powerful nozzle that delivers a high-pressure, pencil-point jet stream. It is used to cut heavy dirt deposits in a small, concentrated area. It is ideal for dissolving stubborn substances, like tar and grease spots on concrete, or for removing caked mud from equipment. Use this nozzle to clean hard-to-reach areas including the facades of 2-story buildings or the undersides of lawn mowers and tractors.

NOTE: Care should be used when choosing the right nozzle to avoid permanently gouging wood or damaging fragile surfaces.

- ii) Use the 15° fan-tip nozzle (yellow) for intense cleaning jobs on hard surfaces. Applications include stripping paint, removing oil stains, grease, heavy mildew stains, and rust from steel. This nozzle should only be used in areas that can withstand the high-pressure from this nozzle.
- iii) Use the 25° fan-tip nozzle (green) to clean home siding, brick patios, wood decks, driveways, or sidewalks. When using this nozzle, test a small area first to avoid surface damage.
- iv) Use the 40° wide-spray tip nozzle (gray) to clean items such as cars, trucks, boats, patio furniture, or lawn equipment.

6. Start at the top of the area to be rinsed and work your way down, making sure to overlap your strokes.

⚠️ IMPORTANT! NEVER USE:

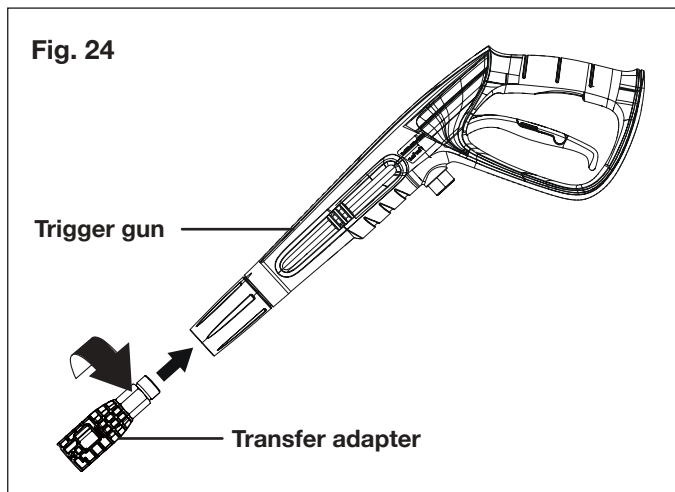
- Bleach, chlorine products, and other corrosive chemicals
- Liquids containing solvents (e.g. paint thinners, gasoline, oils)
- Tri-sodium phosphate products
- Ammonia products
- Acid-based products

These chemicals will harm the unit and will damage the cleaning surface.

Using the Brush Attachments

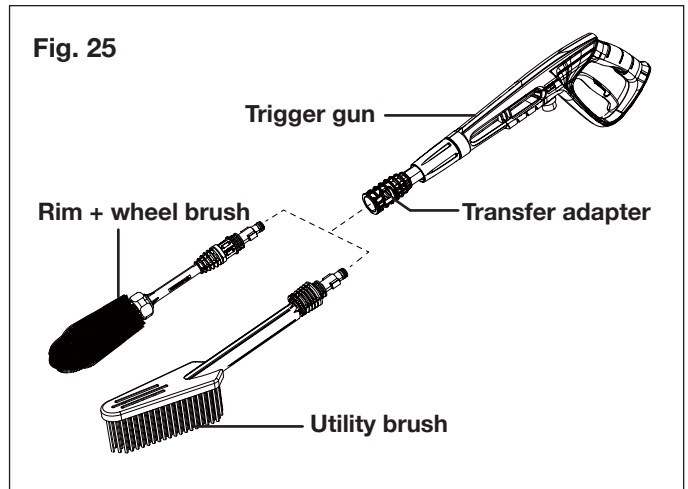
This pressure washer is equipped with 2 brush attachments, a utility brush and a heavy-duty wheel + rim brush. To connect the brush attachments with the spray gun, follow the instruction below.

1. Disconnect the stainless steel lance from the trigger gun by twisting counterclockwise.
2. First connect the transfer adapter by insert it into the spray gun and twist clockwise, as shown (Fig. 24).



3. Take the desired brush attachment and align the two tabs with the inside of the transfer adapter. Once aligned, push the brush attachment into the trigger gun, twist counterclockwise to lock into place (Fig. 25).

NOTE: The brush attachments cannot be attached with the spray gun without the transfer adapter.



Shutting Down

1. Turn the switch to the OFF (0) position and unplug the power cord from the outlet.
2. Turn off the water source.
3. Hold the trigger to release water pressure.
4. Disconnect the garden hose from the water inlet on the unit.
5. Disconnect the high-pressure hose connection on the trigger gun handle.
6. Release the trigger and engage the gun safety lock.

⚠️ WARNING! Turn off the water supply and squeeze the trigger to depressurize the unit. Failure to do so could result in personal injury due to discharge of high-pressure water.

Taking a Break

If you are taking a break of five minutes or more between cleaning tasks:

1. Engage the gun safety lock (Fig. 18).
2. Turn the switch to the OFF (0) position.
3. Unplug the power cord from the outlet.

Storage

⚠️ CAUTION! Always store your pressure washer in a location where the temperature will not fall below 32°F (0°C). The pump in this machine is susceptible to permanent damage if it freezes. **FREEZE DAMAGE IS NOT COVERED BY THE WARRANTY.**

- Store the pressure washer indoors in a dry, covered area where it is not subject to adverse weather conditions.
- It is important to store this product in a frost-free area.
- Always empty water from all hoses, the pump, and the foam cannon before storing.

⚠ CAUTION! The use of a pump protector is recommended to prevent cold weather damage during storage over the winter months.

Winterizing + Long-Term Storage

If you must store your pressure washer in a location where the temperature falls below 32°F (0°C), you can minimize the chance of damage to your machine by utilizing the following procedure:

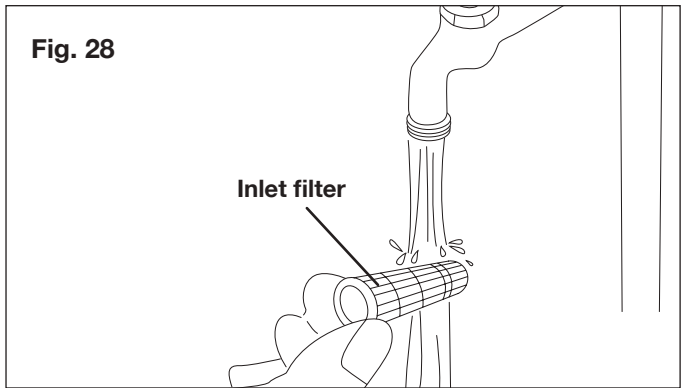
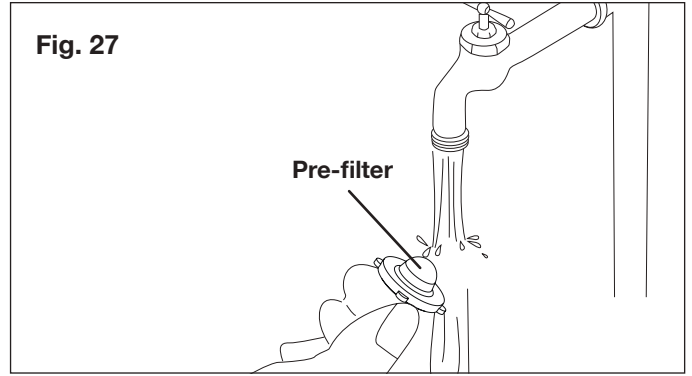
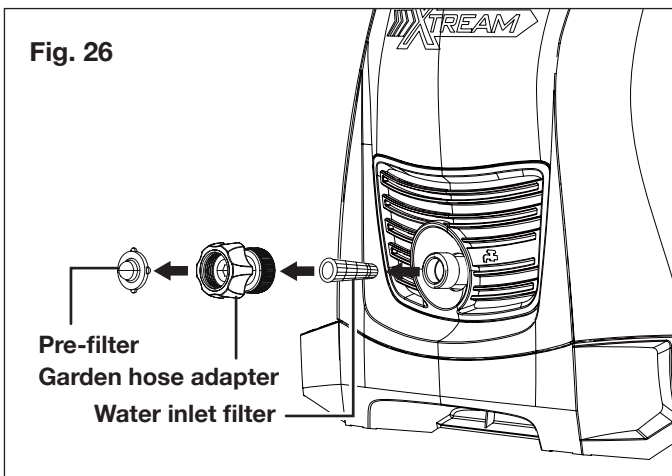
- Disconnect all water connections.
- Turn on the machine for a few seconds until the remaining water in the pump exits. Turn off immediately.
- Do not allow the high-pressure hose to become kinked.
- Store the machine and accessories in a room that does not reach freezing temperatures.
- Do not store near a furnace or other sources of heat that may dry out the pump seals.
- Operate the pressure washer with non-corrosive/non-toxic anti-freeze, a pump saver, or a pump protector before storing for the winter.

⚠ WARNING! Before reusing, completely flush the unit out with clear water. Anti-freeze products can damage paintwork, so you must ensure there is no anti-freeze left in the system before using it again.

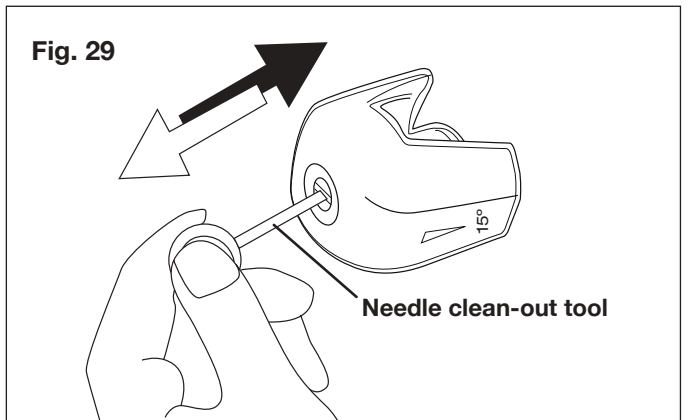
Maintenance

⚠ CAUTION! Before working on the pressure washer, disconnect the plug from the power supply socket.

1. To ensure good performance, check and clean the water inlet filter (Fig. 26). Remove the pre-filter and water inlet filter and rinse with warm water to prevent any foreign matter from clogging the pump (Figs. 27 – 28).



2. Clean the nozzle with the needle clean-out tool provided (Fig. 29). Remove the stainless steel lance from the gun; remove any dirt from the nozzle hole and rinse.



3. Remove additional debris by back flushing water through the nozzle and stainless steel lance. To do this, place the end of your garden hose (with water running) to the tip of the nozzle, pushing water and debris out of the back opening of the nozzle and stainless steel lance.


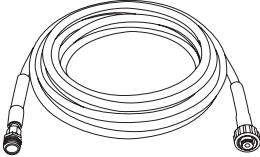


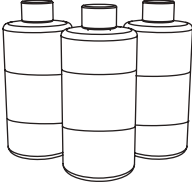
Troubleshooting

- Disconnect the unit from the electrical power supply before carrying out maintenance on the machine or when checking that its parts are in proper working order.
- The hose must be connected and the water turned on before operating your unit. Failure to do so will damage the pump motor and void your warranty.
- Total Stop System (TSS) – The motor will shut OFF and remain in standby mode during periods of inactivity, or as soon as the unit is pressurized. THIS IS NORMAL. Simply squeeze the trigger to restart the pump motor.
- To avoid unnecessary hassles, consult the following table before contacting customer service with any mechanical issues.

Problems	Possible Cause	Possible Solution
Machine refuses to start	<ul style="list-style-type: none"> • Power failure/machine not plugged into a working receptacle. • Defective socket. • Fuse has blown. • Defective extension cord. 	<ul style="list-style-type: none"> • Check to make sure machine is plugged into a working outlet. • Check the power cord and reset the GFCI. Try a different outlet. • Replace fuse. Switch off any other machines that are using the same circuit. • Try the unit without an extension cord.
Fluctuating pressure	<ul style="list-style-type: none"> • Pump sucking air. • Valves dirty, worn out, or stuck. • Pump seals worn out. 	<ul style="list-style-type: none"> • Check the hoses and connections are airtight. • Clean or replace valves/seals. • Please call the Snow Joe® + Sun Joe® customer service center at 1-866-SNOWJOE (1-866-766-9563) for assistance.
Machine stops	<ul style="list-style-type: none"> • Fuse has blown. • Incorrect mains voltage. • Thermal sensor activated. • Nozzle partially blocked. 	<ul style="list-style-type: none"> • Replace fuse. Switch off other machines using the same circuit. • Check that the mains voltage corresponds to specification on the model tag. • Leave the washer for 5 minutes to cool down. • Clean the nozzle.
Fuse blows	<ul style="list-style-type: none"> • Fuse too small. 	<ul style="list-style-type: none"> • Install a fuse with a higher amp rating than the amp consumption of the machine. Try the unit without an extension cord.
Machine pulsating	<ul style="list-style-type: none"> • Air in inlet hose. • Inadequate supply of mains water. • Nozzle partially blocked. • Water filter blocked. • Hose kinked. 	<ul style="list-style-type: none"> • Allow machine to run by holding the trigger until regular working pressure resumes. • Check that the water supply corresponds to the specifications required. • WARNING! Avoid using long, thin hoses (minimum 1/2 in. diameter). • Clean the nozzle. • Clean the water inlet filter. • Straighten out the hose to remove any kinks/blockages.
Machine often starts and stops by itself	<ul style="list-style-type: none"> • Pump/spray gun is leaking. • Trigger mechanism is broken. 	<ul style="list-style-type: none"> • Please call Snow Joe® + Sun Joe® customer service center at 1-866-SNOWJOE (1-866-766-9563) for assistance.
Machine starts, but no water comes out	<ul style="list-style-type: none"> • Pump/hoses or accessories frozen. • No water supply. • Water inlet filter blocked. • Nozzle blocked. 	<ul style="list-style-type: none"> • Wait for pump/hoses or accessories to thaw. • Connect inlet water. • Clean the water inlet filter. • Clean the nozzle.

Optional Accessories

⚠️ WARNING! ALWAYS use only authorized Snow Joe® + Sun Joe® replacement parts and accessories. NEVER use replacement parts or accessories that are not intended for use with this electric pressure washer. Contact Snow Joe® + Sun Joe® if you are unsure whether it is safe to use a particular replacement part or accessory with your pressure washer. The use of any other attachment or accessory can be dangerous and could cause injury or mechanical damage.

Accessories	Item	Model
	Spray Tip Set (Compatible with most SPX Series Pressure Washers)	SPX3000-TPS
	25 ft Medium-Duty High Pressure Extension Hose (For SPX Pressure Washer Series)	SPX-25H
	Solid Brass Universal Quick-Connect Coupler (Garden Hose to Pressure Washer Adapter)	SPX-UQC
	Sun Joe® House + Deck All-Purpose Pressure Washer Rated Concentrated Cleaner Sun Joe® Premium Snow Foam Pressure Washer Rated Car Wash + Cleaner Sun Joe® All-Purpose Heavy Duty Pressure Washer Rated Cleaner + Degreaser	SPX-HDC1G SPX-FCS1G SPX-APC1G
	3-Pack pressure washer concentrate	SPX-ASST3Q

Sun Joe's complete line of premium pressure washer accessories and attachments make it easy to get your dirty work done, and also help you get the most out of your model!

SHOP ONLINE now at sunjoe.com

NOTE: Accessories are subject to change without any obligation on the part of Snow Joe® + Sun Joe® to provide notice of such changes. Accessories can be ordered online at sunjoe.com or via phone by contacting the Snow Joe® + Sun Joe® customer service center at 1-866-SNOWJOE (1-866-766-9563).



SNOW JOE® + SUN JOE® CUSTOMER PROMISE

ABOVE ALL ELSE, Snow Joe, LLC (“Snow Joe”) is dedicated to you, our customer. We strive to make your experience as pleasant as possible. Unfortunately, there are times when a Snow Joe®, Sun Joe®, or Aqua Joe® product (“Product”) does not work or breaks under normal operating conditions. We think it’s important that you know what you can expect from us. That’s why we have a Limited Warranty (“Warranty”) for our Products.

OUR WARRANTY:

Snow Joe warrants new, genuine, powered and non-powered Products to be free from defects in material or workmanship when used for ordinary household use for a period of two years from the date of purchase by the original, end-user purchaser when purchased from Snow Joe or from one of Snow Joe’s authorized sellers with proof of purchase. Because Snow Joe is unable to control the quality of its Products sold by unauthorized sellers, unless otherwise prohibited by law, this Warranty does not cover Products purchased from unauthorized sellers. If your Product does not work or there’s an issue with a specific part that is covered by the terms of this Warranty, Snow Joe will elect to either (1) send you a free replacement part, (2) replace the Product with a new or comparable product at no charge, or (3) repair the Product. How cool is that!

This Warranty gives you specific legal rights, and you may also have other rights which vary from State to State.

PRODUCT REGISTRATION:

Snow Joe strongly encourages you to register your Product. You can register online at snowjoe.com/register, or by printing and mailing in a registration card available online from our website, or calling our Customer Service Department at **1-866-SNOWJOE (1-866-766-9563)**, or by e-mailing us at help@snowjoe.com. Failure to register your Product will not diminish your warranty rights. However, registering your Product will allow Snow Joe to better serve you with any of your customer service needs.

WHO CAN SEEK LIMITED WARRANTY COVERAGE:

This Warranty is extended by Snow Joe to the original purchaser and original owner of the Product.

WHAT IS NOT COVERED?

This Warranty does not apply if the Product has been used commercially or for non-household or rental applications. This Warranty also does not apply if the Product was purchased from an unauthorized seller. This Warranty also does not cover cosmetic changes that do not affect performance. Wearing parts like belts, augers, chains and tines are not covered under this Warranty, and can be purchased at snowjoe.com or by calling **1-866-SNOWJOE (1-866-766-9563)**.

13 A HIDROLAVADORA ELÉCTRICA

2,200 PSI MÁX. AL MOMENTO DE LA DESCARGA INICIAL SEGÚN PRUEBA DE PRESIÓN INTERNA DE CSA
6.2 L/min MÁX. CON BOQUILLA ABIERTA A MÍNIMA PRESIÓN


Una división de Snow Joe®, LLC


Modelo SPX3000-XT1


Forma No. SJ-SPX3000-XT1-880S-MR1

¡IMPORTANTE! Instrucciones de seguridad


Todos los operadores deberán leer estas instrucciones antes del uso

 **¡ADVERTENCIA!** Esto indica una situación peligrosa, la cual, de no ser evitada, puede resultar en lesiones severas o la muerte.


 **¡PRECAUCIÓN!** Esto indica una situación peligrosa, la cual, de no ser evitada, puede resultar en lesiones menores o moderadas.

 **¡PELIGRO!** Esto indica una situación peligrosa, la cual, de no ser evitada, causará lesiones severas o la muerte.


Seguridad general


 **¡ADVERTENCIA!** Este artefacto no está destinado para su uso por niños o aquellas personas sin asistencia o supervisión cuyas habilidades físicas, sensoriales o mentales les impiden usarlo de forma segura. Los niños deben estar bajo supervisión para asegurar que no jueguen con el artefacto.

Antes de encender su máquina, por favor verifíquela cuidadosamente para ver que no tenga defectos. Si encuentra algún defecto, no la encienda. Contacte a su concesionario autorizado de Snow Joe® + Sun Joe® o llame a la central de servicio al cliente de Snow Joe® + Sun Joe® al 1-866-SNOWJOE (1-866-766-9563).

 **¡ADVERTENCIA!** Al usar la hidrolavadora eléctrica se deberán tomar precauciones básicas de seguridad para reducir riesgos de incendio, choque eléctrico o lesiones personales.

- **Conozca su producto:** sepa cómo detener la máquina y purgar rápidamente la presión. Familiarícese a fondo con los controles.
- **Mantenga alejados a los transeúntes:** todos los visitantes, incluidas las mascotas, deberán estar a una distancia segura del área de trabajo.
- **Use el producto adecuado:** no emplee esta máquina para ningún otro trabajo excepto para el cual está destinada.

- **Use ropa adecuada:** no use prendas holgadas ni joyería, ya que pueden llegar a engancharse en las partes móviles. Se recomienda el uso de guantes de goma protectores y calzado protector antideslizante cuando se trabaje en exteriores.
-  **¡PRECAUCIÓN!** Tenga cuidado y evite resbalar o caer. Utilice calzado protector que proteja sus pies y mejore su posición de pie en superficies resbaladizas.
- **Manténgase alerta:** fíjese en lo que está haciendo. Utilice su sentido común. No opere la hidrolavadora si usted está cansado o bajo la influencia del alcohol, drogas o medicamentos.
- **¡ADVERTENCIA!** Riesgo de inyección o lesiones personales: no descargue el chorro directamente a las personas.
- **No adopte una postura inclinada:** mantenga el equilibrio y posición adecuados durante todo el tiempo.
- **Evite los encendidos accidentales:** no lleve la máquina enchufada con su dedo en el gatillo. Asegúrese de que el interruptor esté apagado antes de enchufar la máquina.
- **No abuse del cable:** nunca lleve la máquina por el cable ni tire bruscamente de éste para desenchufarla del tomacorriente. Mantenga el cable alejado del calor, aceite y bordes filosos.
- **Use gafas protectoras:** use también calzado protector, ropa que se ajuste a su cuerpo, guantes protectores y protección auditiva y para la cabeza.
- **Verifique la temperatura del agua:** esta hidrolavadora no está hecha para bombear agua caliente. **NUNCA** la conecte a una fuente de agua caliente ya que reducirá significativamente el ciclo de vida de la bomba.
- **Guárdela en un lugar bajo techo:** **NUNCA** almacene la hidrolavadora en exteriores o donde pueda congelarse. La bomba podría dañarse seriamente.
- **Inspeccione los cables eléctricos:** el aislamiento del cable de alimentación debe estar perfectamente intacto. Si el cable de alimentación está dañado o hay señales de desgaste o deterioro, no use la hidrolavadora. Contacte a su concesionario autorizado de Snow Joe® + Sun Joe® o llame a la central de servicio al cliente de Snow Joe® + Sun Joe® al 1-866-SNOWJOE (1-866-766-9563).

 **¡ADVERTENCIA!** No use este artefacto sin antes leer este manual de instrucciones.

⚠ ¡ADVERTENCIA! Este artefacto ha sido diseñado para su uso con agentes de limpieza recomendados por el fabricante. El uso de otros agentes de limpieza o químicos puede afectar de forma negativa la seguridad del artefacto.

⚠ ¡ADVERTENCIA! No use el artefacto cerca de personas, a menos que estén usando ropa protectora.

⚠ ¡ADVERTENCIA! Los chorros de alta presión pueden ser peligrosos si están sujetos a un mal uso. El chorro no deberá estar dirigido a personas, mascotas, equipos eléctricos activos, o al artefacto en sí.

- No dirija el chorro hacia usted o demás personas para limpiar ropa o calzado.
- **Riesgo de explosión:** no rocíe líquidos inflamables.
- **Desconecte la herramienta:** desconéctela de la fuente de alimentación antes de llevar a cabo cualquier mantenimiento.
- **Mantenga alejados a los niños:** esta hidrolavadora eléctrica no debe ser usada por niños o personas no capacitadas.
- Para garantizar la seguridad del artefacto, use solo piezas de repuesto del fabricante o aprobadas por éste.

⚠ ¡PRECAUCIÓN! Para evitar daños al artefacto, no deje que funcione sin agua. Antes de encender el artefacto, asegúrese de que tenga un suministro adecuado y estable de agua.

⚠ ¡ADVERTENCIA! El agua que ha fluido a través de válvulas contra-reflujo se considera como no potable.

⚠ ¡ADVERTENCIA! La máquina deberá estar desconectada de su fuente de alimentación, es decir desenchufada del tomacorriente, durante la limpieza, mantenimiento o reemplazo de las partes.

⚠ ¡ADVERTENCIA! Las mangueras, juntas y acoplamientos para presiones altas son importantes para la seguridad del artefacto. Use solo mangueras, juntas y acoplamientos recomendados por el fabricante.

- **Verifique las partes dañadas:** no use el artefacto si hay daños en el cable de alimentación o en partes importantes; p. ej., dispositivos de seguridad, mangueras para presión alta o pistola rociadora.

⚠ ¡ADVERTENCIA! Si se usa un cable de extensión, el enchufe y tomacorriente deberán ser a prueba de agua.

⚠ ¡ADVERTENCIA! Los cables de extensión inadecuados pueden ser peligrosos.

- Esta hidrolavadora eléctrica no debe ser usada a temperaturas menores de 32 °F (0 °C).

⚠ ¡ADVERTENCIA! El cable sobre los tanques debe estar siempre desenrollado por completo para evitar el sobrecalentamiento.

- Las conexiones de cables de alimentación deben permanecer secas y por encima del nivel del suelo.

• Si el cable de alimentación está dañado, no utilice el artefacto. Contacte a su concesionario autorizado de Snow Joe® + Sun Joe® o llame a la central de servicio al cliente de Snow Joe® + Sun Joe® al 1-866-SNOWJOE (1-866-766-9563).

• Mantenga la máquina en una superficie estable y plana durante la operación, manipulación, transporte y almacenamiento. Un volcado repentino de la máquina puede causar lesiones corporales.

• En caso de accidente o desperfecto, desconecte la hidrolavadora inmediatamente del tomacorriente. Si usted hace contacto con el detergente, enjuáguese con abundante agua limpia.

Seguridad eléctrica

ATENCIÓN: si hay problemas con la RED ELÉCTRICA, pueden ocurrir caídas breves de voltaje al encender el equipo. Esto a su vez puede afectar otros equipos (como por ejemplo, el parpadeo de una lámpara). Si la IMPEDANCIA DE LA RED (Z_{max}) es menor que 0.335 ohmios, estas fluctuaciones no son esperadas. Si necesita ayuda, puede contactar a su empresa local de suministro eléctrico para más información.

⚠ ¡ADVERTENCIA! Peligro de choque eléctrico: antes de encender su máquina, por favor inspeccione la cuidadosamente para ver que no tenga defectos. Si encuentra algún defecto, no la encienda y contacte a su proveedor.

Se deberá cumplir lo siguiente al conectar la hidrolavadora a la red eléctrica:


- La conexión al suministro eléctrico deberá haber sido hecha por una persona calificada.
- La alimentación a este artefacto deberá incluir ya sea un dispositivo de corriente residual (RCD) que interrumpirá el suministro si la corriente de fuga a tierra excede los 30 mA por 30 ms, o un interruptor de circuito a tierra (GFCI).

IMPORTANTE: solo use agua sin impurezas. Si hay un peligro de arena fluida en el agua de entrada (p. ej., de su propio pozo), se deberá instalar un filtro adicional.

Dispositivos de seguridad

La válvula del descargador puede reducir la presión si ésta excede los valores predeterminados. La pistola rociadora incluye un dispositivo de trabado. Cuando este dispositivo de trabado es activado, la pistola rociadora no puede ser operada.

1. **Sensor térmico:** un sensor térmico protege al motor contra sobrecargas. La máquina se reiniciará luego de unos cuantos minutos, cuando el sensor térmico se haya enfriado.
2. **Doble aislamiento:** en un artefacto de doble aislamiento, se proporcionan dos sistemas de aislamiento en lugar de una conexión a tierra. Un artefacto de doble aislamiento no posee conexión a tierra, y no debe agregársele ninguna. La reparación de un artefacto de doble aislamiento requiere sumo cuidado y conocimiento del

sistema, y solo debe ser llevada a cabo por personal técnico calificado en un centro de servicio autorizado por Snow Joe® + Sun Joe®. Las partes de reemplazo de un artefacto de doble aislamiento deben ser idénticas a las partes originales. Un artefacto de doble aislamiento está marcado con las frases “Double Insulation” (“doblemente aislado”) o “Double Insulated” (“aislamiento doble”). El símbolo  (un cuadrado dentro de otro) puede también estar marcado en el artefacto.

3. Protección de interruptor de circuito por falla a tierra (GFCI): este producto incluye un interruptor de circuito por falla a tierra (GFCI) incorporado al enchufe del cable de alimentación. Si se necesita reemplazar el enchufe o cable de alimentación, use solo partes de repuesto idénticas

4. No se recomienda usar un cable de extensión con la hidrolavadora. La unidad incluye un cable de alimentación de GFCI de 35 pies. El uso de un cable de extensión puede causar una caída de voltaje, produciendo pérdida de potencia y sobrecalentamiento.

Utilice solo cables de extensión diseñados para uso en exteriores. Estos cables de extensión están identificados con la frase “Acceptable for use with outdoor appliance; store indoors while not in use” (“adecuado para uso con artefacto para exteriores; guárdelo en interiores cuando no esté siendo usado”). Use solo un cable de extensión que tenga una clasificación eléctrica mayor o igual a la del producto. No use cables de extensión dañados. Examine el cable de extensión antes de usarlo, y reemplácelo si está dañado. No maltrate el cable de extensión, ni tire violentamente de este para desconectarlo del tomacorriente. Mantenga el cable alejado del calor y bordes afilados. Siempre desconecte el cable de extensión del receptáculo antes de desconectar el artefacto del cable de extensión.

5. Para reducir el riesgo de un choque eléctrico, este artefacto posee un enchufe polarizado (es decir, una pata es más ancha que la otra). El enchufe del aparato encajará completamente en un tomacorriente polarizado, en una sola posición.

Si el enchufe del artefacto no entra por completo en el tomacorriente, invierta las clavijas del enchufe. Si el enchufe del artefacto aún no entra en el tomacorriente, asegúrese de estar usando un tomacorriente polarizado correcto. Si el enchufe del artefacto sigue sin encajar en el tomacorriente, comuníquese con un electricista calificado para que instale un tomacorriente de pared apropiado.

⚠️ ADVERTENCIA ⚠️

Un choque eléctrico puede causar DAÑOS SEVEROS o MUERTE. Tenga en cuenta estas advertencias:

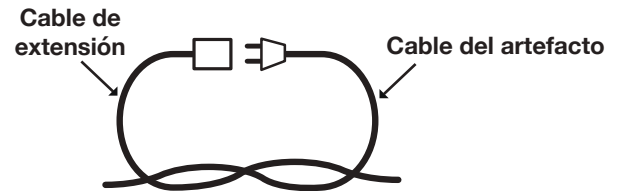
- No deje que ninguna parte de la hidrolavadora eléctrica haga contacto con agua mientras esté funcionando. Si el artefacto se moja mientras está apagado, séquelo antes de encenderlo.
- No use un cable de extensión de más de 25 pies (7.6 metros). La hidrolavadora incluye un cable de alimentación de 35 pies (10.6 metros). El largo combinado del cable no puede superar los 60 pies (18.3 metros). Todos los cables de extensión deben ser de calibre 14 (o más grueso) para suministrarle electricidad a la hidrolavadora de forma segura.
- No toque el artefacto o su enchufe con las manos húmedas, ni mientras esté parado sobre agua. Usar botas de hule le dará algo de protección.

TABLA DE CABLES DE EXTENSIÓN

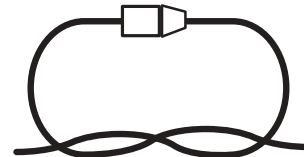
Longitud de cable:	25 pies (7.6 metros)
Calibre de alambre mínimo (AWG):	14

6. Para evitar que el cable del artefacto se desconecte del cable de extensión al usarlo, haga un nudo con los dos cables tal como se muestra en la Tabla 1.

Tabla 1. Método para asegurar el cable de extensión



A) Ate el cable como se indica



(B) Conecte el enchufe y el receptáculo

7. No maltrate el cable. Nunca jale la hidrolavadora por su cable ni tire de éste para desconectarla del receptáculo. Mantenga el cable alejado del calor, aceite y bordes filosos.

Peligro de electrocución

- Inspeccione el cable antes del uso.
- No use la hidrolavadora si el cable está dañado.
- Mantenga todas las conexiones secas y por encima del suelo.
- No toque el enchufe con manos mojadas.
- Mantenga el cable alejado del calor y bordes filosos.
- No rocíe el artefacto ni cableados eléctricos.

Riesgo de explosión

- No rocíe líquidos inflamables.
- No use ácidos, alcalinos, solventes, o ningún material inflamable en este producto. Estas sustancias pueden causar lesiones físicas al operador y daños irreversibles a la máquina.

Instrucciones adicionales de seguridad

- Alta presión: manténgase alejado de la boquilla.
- Peligro de inyección: el equipo puede causar lesiones severas si el rociado penetra la piel.
- No apunte la pistola a nadie, ni a ninguna parte de su propio cuerpo.
- En caso de penetración en la piel, busque atención médica inmediatamente.
- Antes de reparar, limpiar o retirar cualquier pieza, apague la unidad y reduzca la presión.
- Esta máquina no está diseñada para su conexión a las redes de suministro de agua potable.

Descripción del producto

Propósito

- Esta hidrolavadora de alta presión está diseñada para limpiar vehículos, máquinas, edificios, fachadas, etc. en el sector privado.










Áreas de aplicación

- ¡Bajo ninguna circunstancia use la máquina en áreas potencialmente explosivas!
- La temperatura de operación debe estar entre 32 °F (0 °C) y 104 °F (40 °C).
- La máquina es un mecanismo con una bomba empotrada en una carcasa que absorbe impactos. Para que el operador cuente con una posición de trabajo óptima, la máquina viene con una vara rociadora y un mango antideslizante, cuya forma y configuración cumplen con los reglamentos aplicables.
- No cubra o modifique la vara rociadora o las boquillas de rociado de ningún modo.

- La hidrolavadora eléctrica de alta presión está diseñada para ser usada con agua fría o tibia. Aguas con temperaturas más altas pueden dañar la bomba.
- No use agua que esté sucia, arenosa, o contenga productos químicos, ya que puede afectar negativamente la operación y reducir el ciclo de vida útil de la máquina.

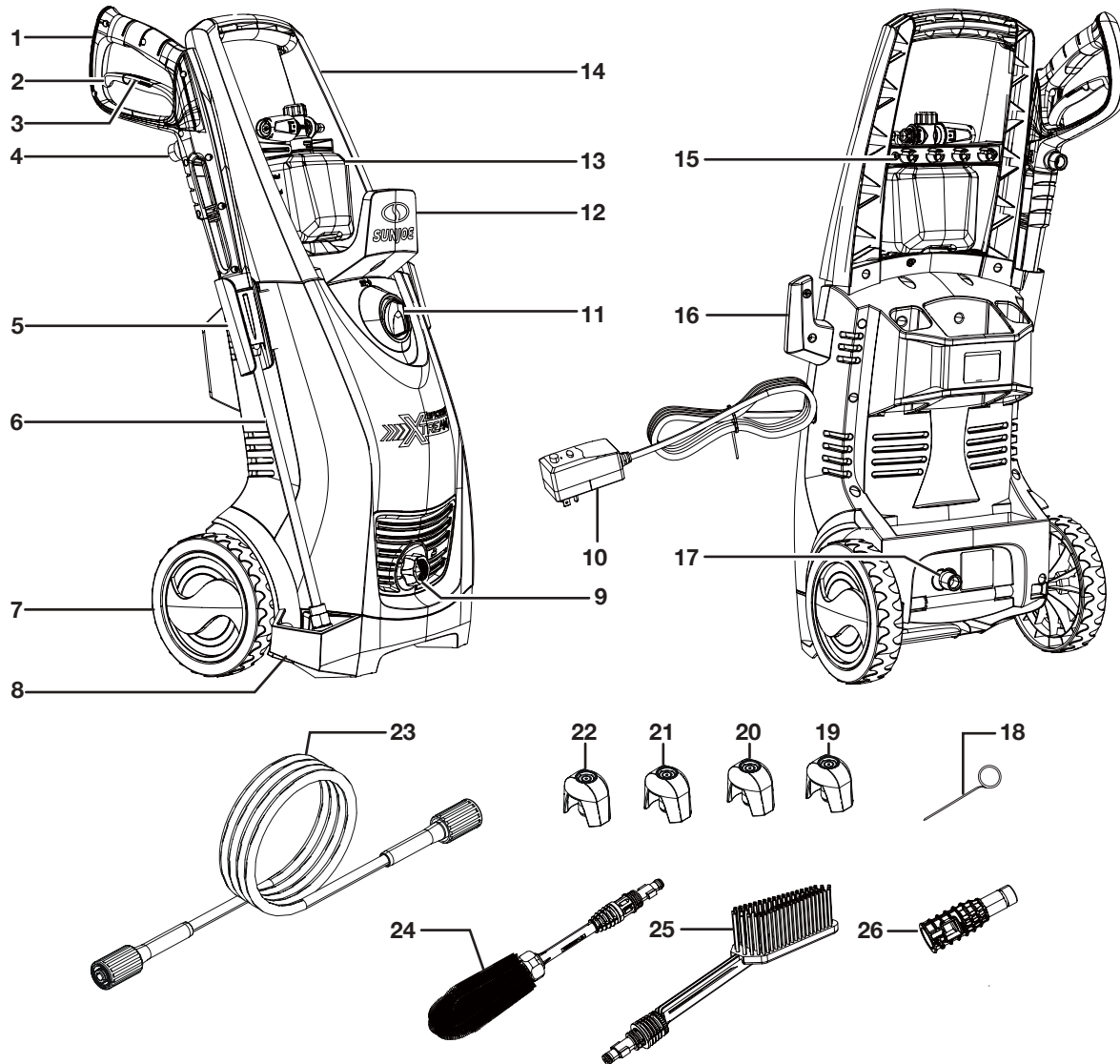
Símbolos de seguridad

La siguiente tabla muestra y describe los símbolos de seguridad que pueden aparecer en este producto. Lea, comprenda y siga todas las instrucciones relacionadas a la unidad antes de intentar ensamblarla y operarla.

Símbolo	Descripción	Símbolo	Descripción
	LEA EL(LOS) MANUAL(ES) DEL OPERADOR: lea, comprenda y siga todas las instrucciones en el(los) manual(es) antes de intentar ensamblar y operar la unidad.		¡ADVERTENCIA! Peligro de choque eléctrico.
	ALERTA DE SEGURIDAD: indica una precaución, una advertencia o un peligro.		¡ADVERTENCIA! No exponga la unidad a la lluvia o a condiciones húmedas. Manténgala seca.
	USE PROTECCIÓN OCULAR Y AUDITIVA: para protegerse contra lesiones, use protectores auditivos y gafas protectoras.		Para reducir el riesgo de lesiones, el usuario debe mantener a los transeúntes alejados al menos a 49 pies (15 metros) de distancia.
	Lleve puestos guantes de seguridad para proteger sus manos.		Utilice calzado antideslizante que proteja sus pies y mejore su posición de pie en superficies resbaladizas.
	Guárdela en interiores. Nunca almacene la hidrolavadora en exteriores. Si se congela la bomba, puede que se dañe permanentemente.		La máquina no es adecuada para su conexión a la red de suministro de agua potable.
	Mantenga siempre el cable de alimentación alejado de fuentes de calor, aceites o bordes afilados. Retire inmediatamente el enchufe del tomacorriente si el cable se daña o se enreda.		¡ADVERTENCIA! Apague la máquina y desconéctela de la fuente de alimentación antes de inspeccionarla, limpiarla, cambiarle accesorios o llevar a cabo cualquier otra tarea de mantenimiento en esta.
	Nivel de potencia sonora: 96 dB(A).		Doble aislamiento: al prestar servicio, use solo piezas de repuesto idénticas.

Conozca su hidrolavadora eléctrica

Lea detenidamente este manual del propietario y el reglamento de seguridad antes de operar la hidrolavadora. Compare la ilustración debajo con la hidrolavadora eléctrica para familiarizarse con la ubicación de los diversos controles y ajustes. Guarde este manual para futuras referencias.



- | | | |
|---|---|---|
| 1. Pistola rociadora | 10. Cable de alimentación con GFCI | 19. Boquilla de conexión rápida de 0° (rojo) |
| 2. Gatillo | 11. Interruptor de encendido/apagado | 20. Boquilla de conexión rápida de 15° (amarilla) |
| 3. Traba de seguridad | 12. Sujetador de manguera | 21. Boquilla de conexión rápida de 25° (verde) |
| 4. Conexión a manguera de alta presión | 13. Cañón de espuma | 22. Boquilla de conexión rápida de 40° (gris) |
| 5. Sujetador de pistola rociadora | 14. Mango de transporte | 23. Manguera de alta presión |
| 6. Lanzadora rociadora de acero inoxidable | 15. Panel de almacenamiento de boquillas de conexión rápida | 24. Cepillo para llantas y neumáticos |
| 7. Ruedas | 16. Porta-cable | 25. Cepillo para llantas y neumáticos |
| 8. Protector de vara rociadora | 17. Salida de agua (conexión a alta presión) | 26. Adaptador de transferencia |
| 9. Adaptador para manguera de jardín (acoplador hembra) | 18. Herramienta de limpieza tipo aguja | |

Datos técnicos

Voltaje nominal	120 V ~ 60 Hz
Motor	13 A
Temperatura máxima de entrada de agua	104°F (40°C)
Presión máxima de entrada de agua	0.7 MPa
Presión máxima al momento de la descarga inicial según prueba de presión interna de CSA	2,200 PSI
Presión nominal bajo carga típica	1,700 PSI
Caudal máximo con boquilla abierta a mínima presión	1.65 GPM (6.2 L/min)
Caudal nominal bajo carga típica	1.2 GPM (4.5 L/min)
Longitud de manguera	20 pies (6 m)
Capacidad de botella para detergente	33.8 fl oz (1 L)
Longitud del cable de alimentación	35 pies (10.7 m) (con protección GFCI)
Peso neto	27.6 lb (12.5 kg)

Desembalaje

El paquete contiene:

- Hidrolavadora eléctrica
- Mango de transporte
- Pistola rociadora
- Lanzadora rociadora de acero inoxidable
- Cuatro (4) boquillas de conexión rápida (0°, 15°, 25° y 40°)
- Cañón de espuma
- Cepillo para llantas y neumáticos
- Cepillo para llantas y neumáticos
- Adaptador de transferencia
- Cuatro (4) tornillos grandes
- Dos (2) tornillos pequeños
- Protector de vara rociadora
- Sujetador de pistola rociadora
- Sujetador de manguera
- Herramienta de limpieza tipo aguja
- Manguera de alta presión
- Adaptador para manguera de jardín (acoplador hembra) con dos juntas tóricas
- Manual con tarjeta de registro

1. Retire cuidadosamente la hidrolavadora y compruebe que todos los artículos anteriores estén suministrados.
2. Inspeccione cuidadosamente el producto para asegurarse de que no haya ocurrido ningún daño o ruptura durante el transporte. Si alguna parte está dañada o extraviada, NO DEVUELVA la unidad a la tienda. Llame a la central

de servicio al cliente de Snow Joe® + Sun Joe® al 1-866-SNOWJOE (1-866-766-9563).

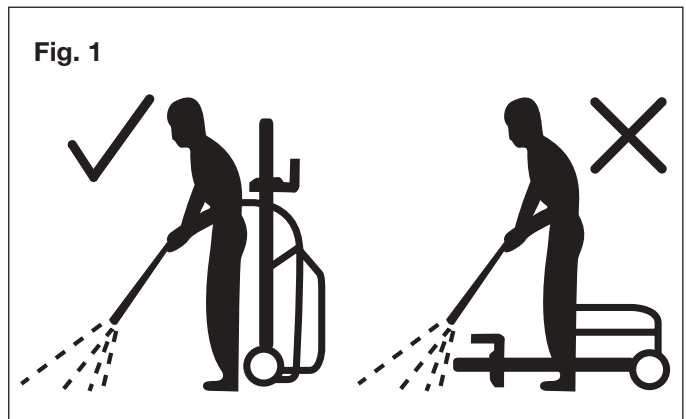
NOTA: no se deshaga de la caja de transporte ni del material de embalaje hasta que usted esté listo para usar su hidrolavadora eléctrica. El empaquetado está hecho de materiales reciclables. Deseche estos materiales en conformidad a los reglamentos locales.

¡IMPORTANTE! El equipo y los materiales de embalaje no son juguetes. No deje que los niños jueguen con bolsas plásticas, láminas o piezas pequeñas. ¡Estos objetos pueden ser tragados y representan un riesgo de asfixia!

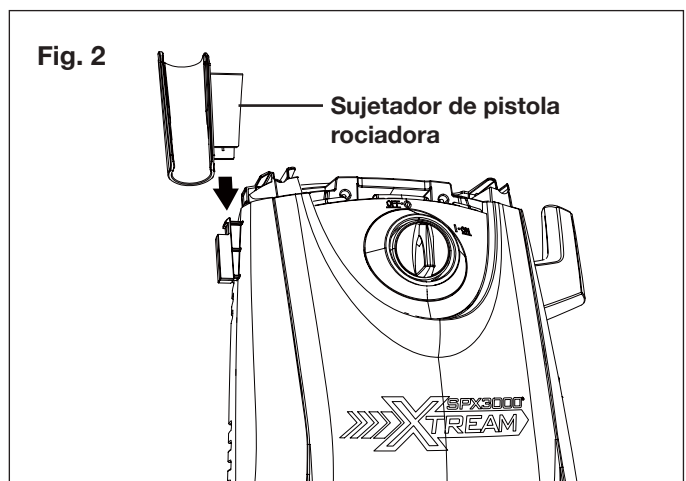
⚠ ¡ADVERTENCIA! No conecte la hidrolavadora a la fuente de alimentación hasta que esté ensamblada por completo. El incumplimiento de esta advertencia puede resultar en un encendido accidental y lesiones personales severas.

Ensamblado

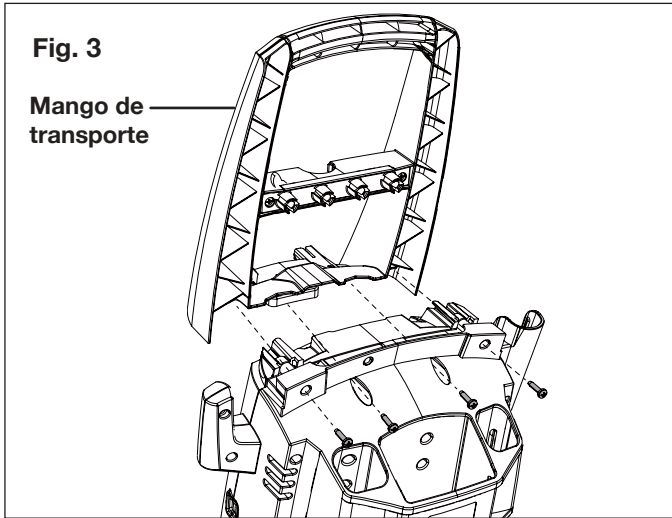
1. Coloque la hidrolavadora TAN CERCA como sea posible de la fuente de suministro de agua.
2. La hidrolavadora debe ser usada en una superficie segura y estable, en una posición vertical (Fig. 1).



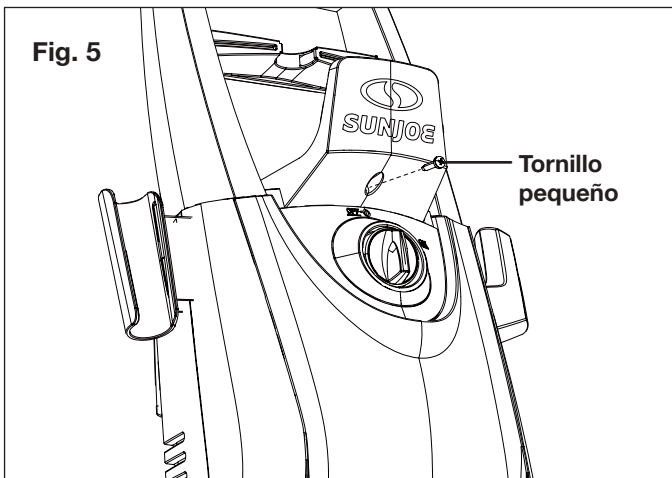
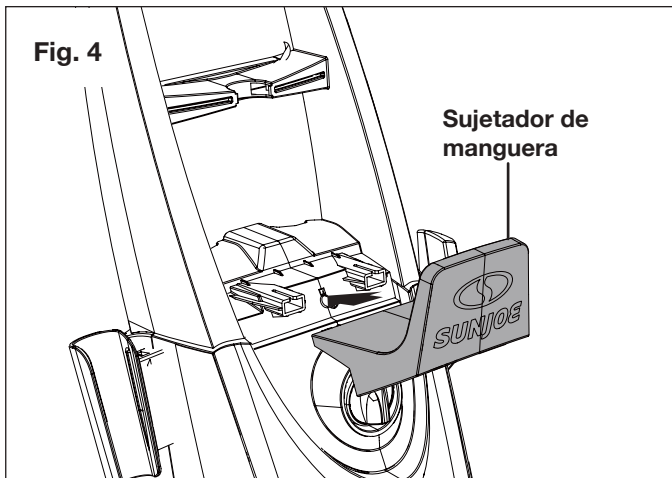
3. Deslice el sujetador de pistola rociadora hacia su posición (Fig. 2).



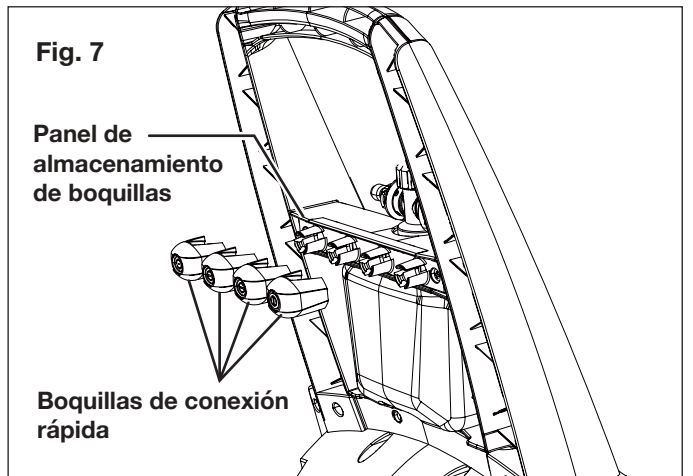
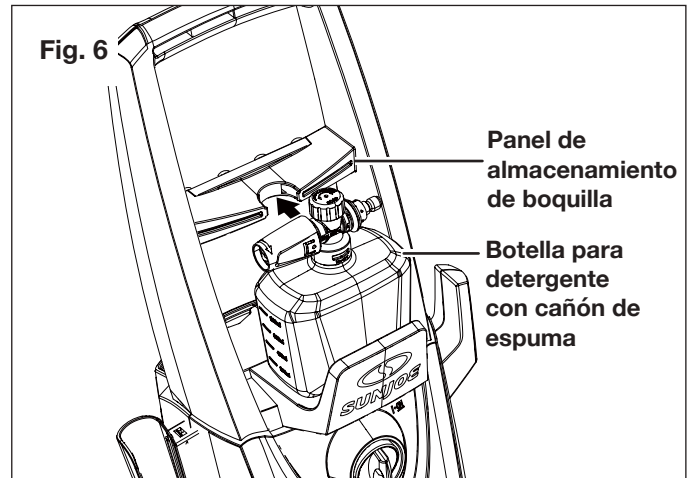
4. Deslice el mango hacia su posición y asegúrelo con los cuatro tornillos grandes (Fig. 3).



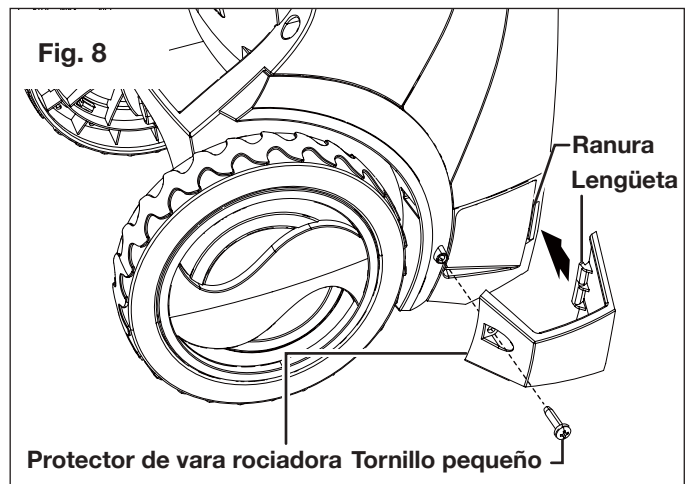
5. Para ensamblar el sujetador de la manguera, deslice el sujetador hacia su posición (Fig. 4) y asegúrelo a la unidad con el tornillo pequeño restante (Fig. 5).



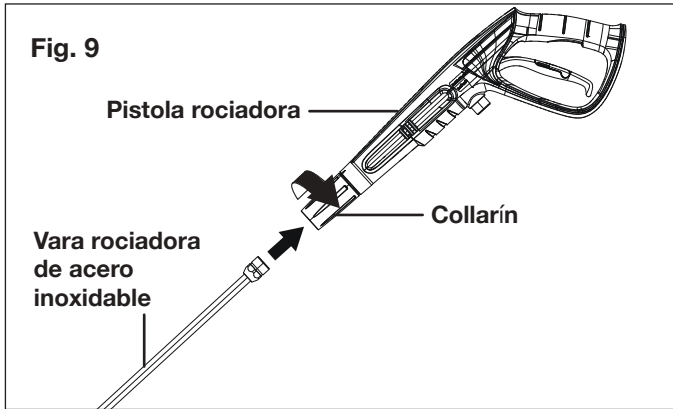
6. Conecte la botella para detergente con cañón de espuma y las boquillas de conexión rápida en su lugar, al frente y reverso del panel de almacenamiento de boquillas (Figs. 6 y 7).



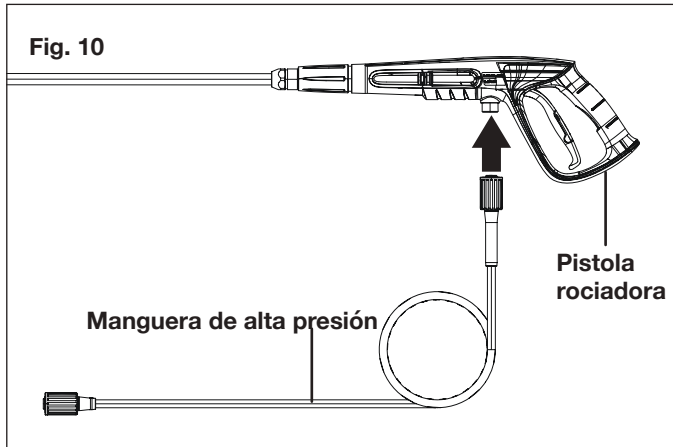
7. Para ensamblar el protector de la vara rociadora, primero conecte la lengüeta en la ranura ubicada en el lado inferior izquierdo de la unidad y asegúrelo en su lugar con un tornillo pequeño. (Fig. 8).



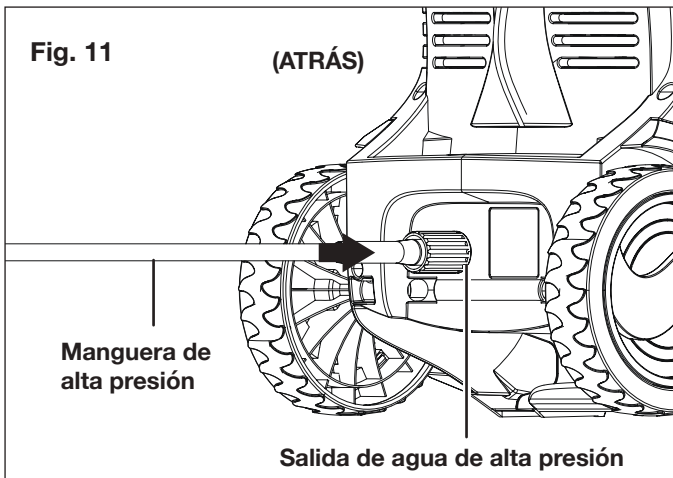
8. Conecte la vara rociadora de acero inoxidable en la pistola y rote el collarín hasta que las dos partes estén completamente trabadas (Fig. 9).



9. Conecte la manguera de alta presión a la pistola rociadora (Fig. 10).



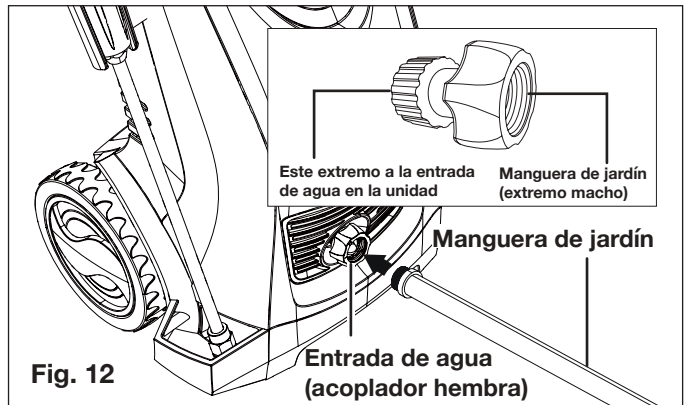
10. Conecte la manguera de alta presión a la salida de agua en la hidrolavadora (Fig. 15).



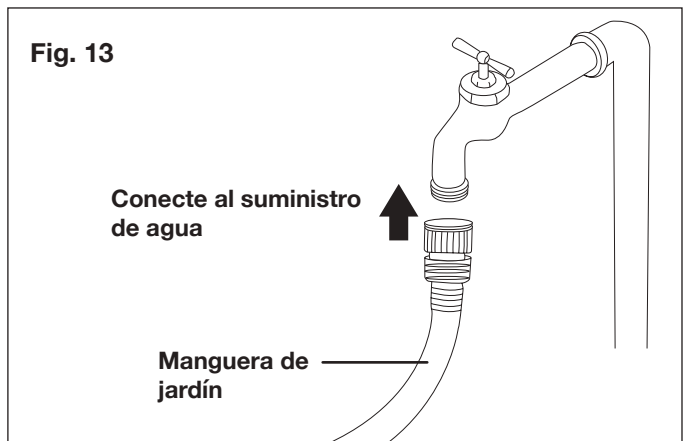
⚠ ¡ADVERTENCIA! Mantenga la manguera alejada de objetos afilados. Una manguera que reviente puede causar lesiones. Examine las mangueras regularmente y reemplácelas si están dañadas. No intente reparar una manguera dañada.

11. Conecte el adaptador de la manguera de jardín (acoplador hembra) a la entrada de agua de la hidrolavadora. Luego, enrosque la manguera de jardín (extremo macho) al adaptador de manguera de jardín (Fig. 12). La manguera de jardín deberá tener un diámetro interno de al menos 13 mm (0.5 plg) y debe estar reforzada. El suministro de agua debe ser al menos igual a la capacidad de entrega de la hidrolavadora.

NOTA: la máquina no está diseñada para su conexión a las redes de suministro de agua potable.



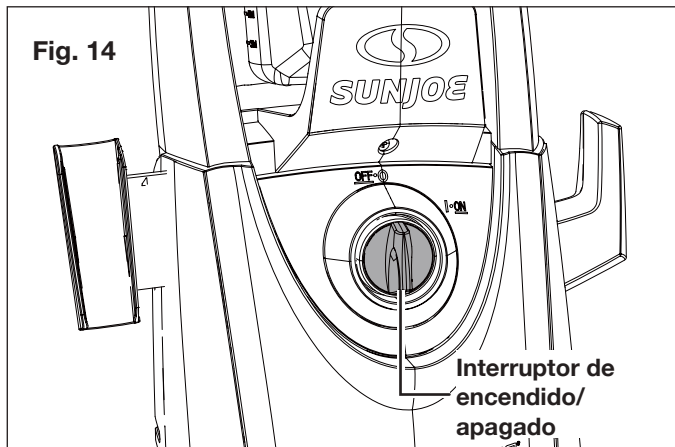
12. Conecte la manguera de jardín a la fuente de suministro de agua (Fig. 13).



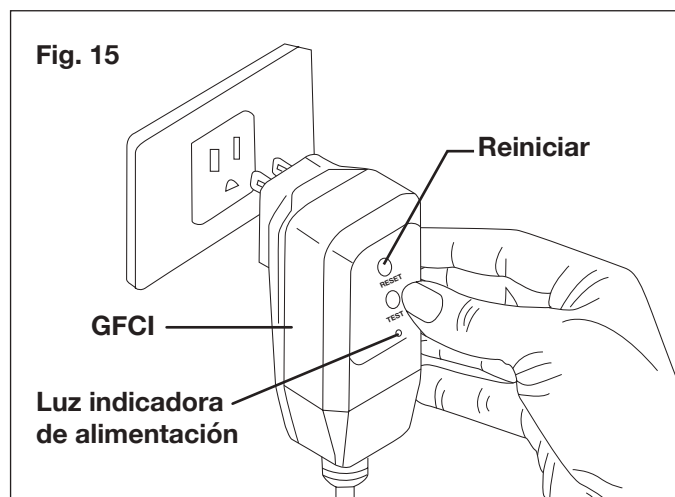
⚠ ¡ADVERTENCIA! La temperatura del agua de entrada no debe exceder los 104 °F (40 °C). La presión del suministro de agua no debe exceder 0.7 MPa.

⚠ ¡PRECAUCIÓN! La hidrolavadora solo debe ser usada con agua limpia. El uso de agua sin filtrar con químicos corrosivos dañará la hidrolavadora.

13. Verifique que el interruptor del motor esté en la posición OFF (“apagado”) (0) antes de enchufar la unidad en el tomacorriente (Fig. 14).



14. Compruebe que el voltaje y la frecuencia (V/Hz) del suministro de energía correspondan a aquellos indicados en la placa de especificaciones. Si la fuente de alimentación es la correcta, usted puede conectar la hidrolavadora al tomacorriente (Fig.15).



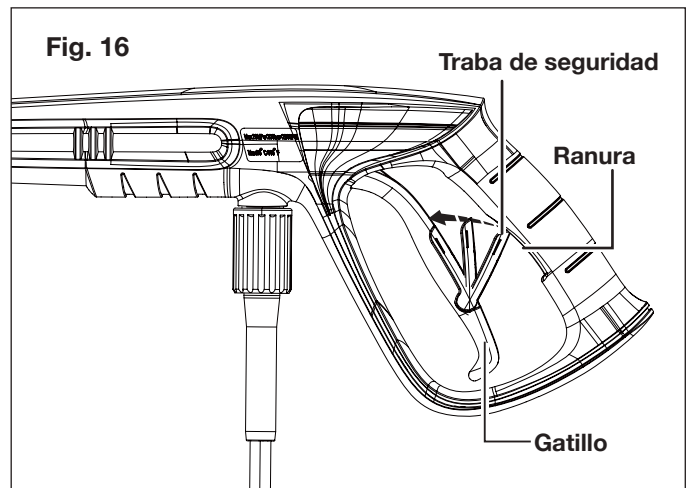
NOTA: es posible que tenga que reiniciar el GFCI al enchufarlo por primera vez al tomacorriente. Presione el botón de reinicio hasta que la luz indicadora de alimentación del GFCI se prenda.

Operación

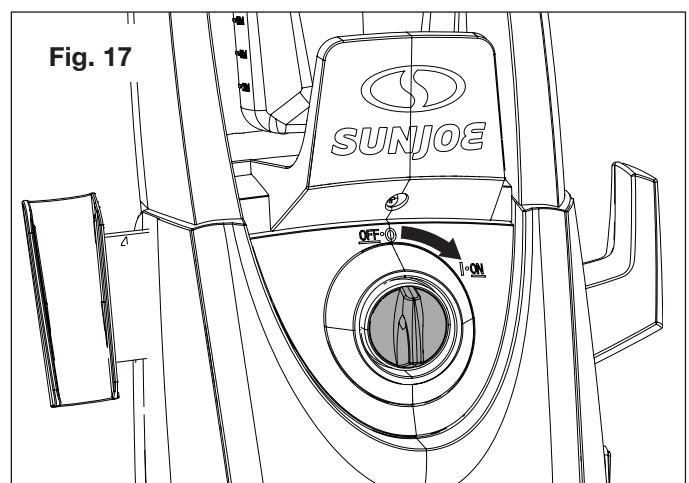
⚠ ¡IMPORTANTE! Esta hidrolavadora está equipada con un micro-interruptor sensible al caudal del agua. Este Sistema de Parada Total (Total Stop System o TTS) detecta el caudal de la bomba. Cuando se suelta el gatillo, el agua deja de fluir a través de la bomba. El TTS entonces apaga el motor de forma automática para evitar que la bomba se sobrecaliente, ahorrando así energía y prolongando la vida de la bomba.

1. Abra por completo la llave de agua.

2. Asegúrese de que la traba de seguridad esté hacia abajo y en su posición original (Fig. 16), luego presione el gatillo por unos segundos hasta que el caudal de agua se estabilice. Esto permitirá que el aire escape y se libere cualquier presión residual en la manguera.



3. Coloque el interruptor en la posición ON (“encendido”) (I) para encender la hidrolavadora (Fig. 17).



Uso de las boquillas

Antes de comenzar cualquier tarea de limpieza, determine la mejor boquilla para la tarea. Cada boquilla tiene un patrón de rociado diferente. Los patrones de boquilla son: 40° (para una limpieza delicada), 25° (para limpieza general), 15° (para trabajos difíciles) y 0° (para limpieza puntual o áreas difíciles de alcanzar).

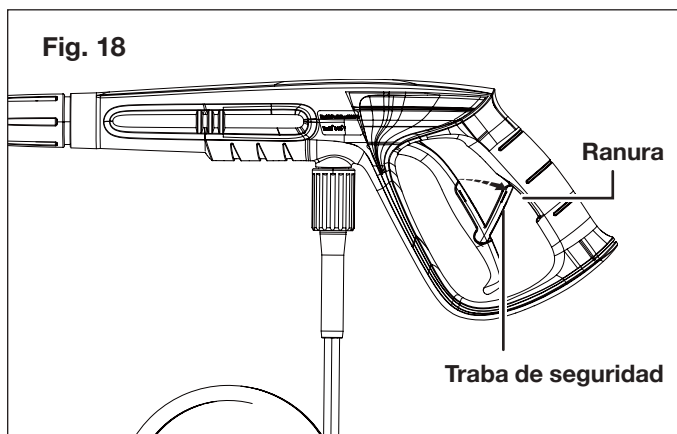
⚠ ¡PRECAUCIÓN! NUNCA cambie boquillas sin antes activar la traba de seguridad en el gatillo de la pistola rociadora.

⚠ ¡ADVERTENCIA! Los chorros de alta presión pueden ser peligrosos si están sujetos a un mal uso. El chorro no deberá estar dirigido a personas, mascotas, equipos eléctricos activos, o al artefacto en sí.

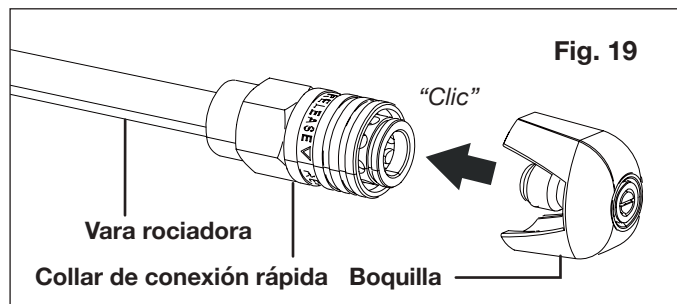
Esta hidrolavadora inalámbrica está equipada con cuatro boquillas de conexión rápida que se ajustan fácilmente al collar de conexión rápida de la vara rociadora.

Para conectar una boquilla a la vara rociadora:

1. Apague la hidrolavadora y cierre el suministro de agua. Apriete el gatillo para liberar la presión de agua.
2. Active la traba de seguridad en el gatillo de la pistola rociadora, empujando hacia arriba la traba de seguridad hasta que haga "clic" en la ranura (Fig. 18).



3. Encaje la boquilla deseada en el collar de conexión rápida hasta que haga "clic" en su lugar y esté apropiadamente asegurada (Fig. 23).



Para desconectar una boquilla de la vara rociadora una vez que el trabajo de limpieza haya finalizado:

4. Apague la hidrolavadora y cierre el suministro de agua. Apriete el gatillo para liberar la presión de agua.
5. Active la traba de seguridad en el gatillo de la pistola rociadora empujando hacia arriba la traba de seguridad hasta que haga "clic" en la ranura (Fig. 18).
6. Retire la boquilla colocando su mano sobre la boquilla mientras jala hacia atrás el collar de conexión rápida.

⚠ ¡ADVERTENCIA! No ajuste la boquilla mientras el gatillo esté apretado; si lo hace, se podría dañar la hidrolavadora o usted podría lesionarse.

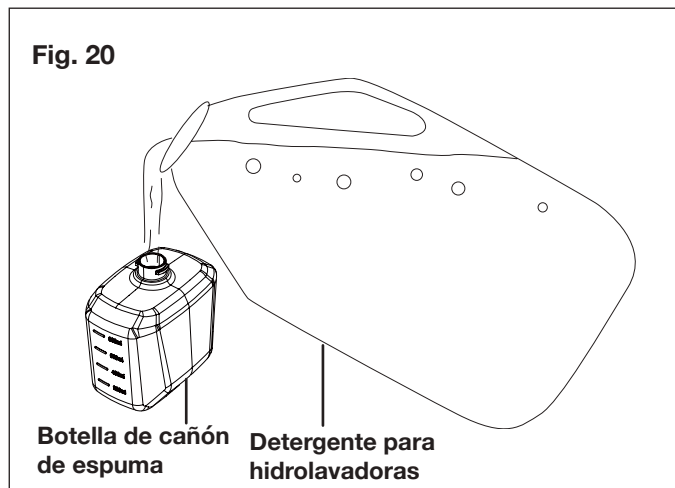
Uso de detergentes

Al limpiar con la hidrolavadora, algunas tareas de limpieza pueden ser resueltas solo usando agua; pero para la mayoría de las tareas, limpiar con detergente permite al usuario retirar la suciedad de forma más efectiva.

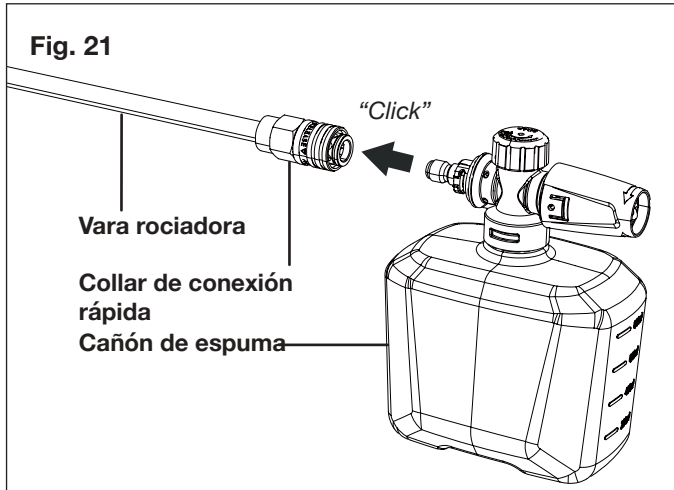
Para una potencia adicional de limpieza, la unidad viene equipada con un cañón de espuma.

⚠ ¡ADVERTENCIA! Use solo detergentes específicamente formulados para hidrolavadoras tales como el limpiador concentrado de casas y terrazas para hidrolavadoras Sun Joe® (SPX-HDC1G), el detergente y limpiador en espuma Premium de autos para hidrolavadoras Sun Joe® (SPX-FCS1G), o el limpiador y desengrasador multipropósito de alto rendimiento para hidrolavadoras Sun Joe® (SPX-APC1G). NO USE detergentes caseros, ácidos, soluciones alcalinas, lejía, solventes, materiales inflamables o soluciones de grado industrial ya que pueden dañar la hidrolavadora. Muchos detergentes pueden requerir ser mezclados antes de su uso. Prepare la solución de limpieza tal como se indica en la botella de la solución.

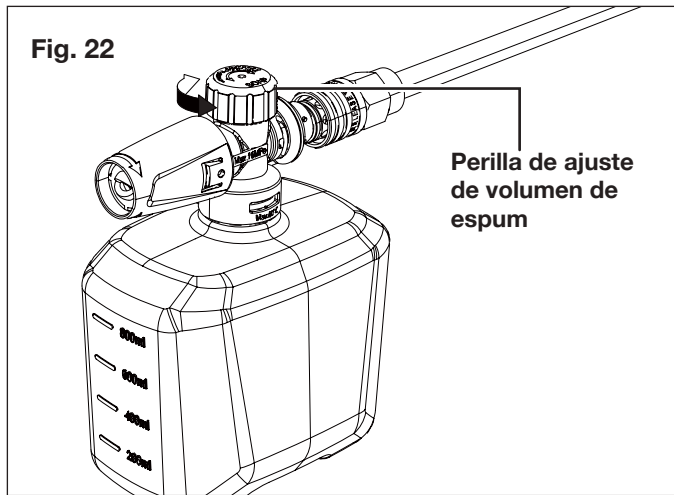
1. Retire el cañón de espuma del panel de almacenamiento de boquillas. retire de la botella la tapa del cañón con el tubo de succión.
2. Llene la botella del cañón de espuma con detergente formulado específicamente para su uso con hidrolavadoras (Fig. 20).



3. Vuelva a colocar la tapa del cañón de espuma y conéctela a la vara rociadora conectándola en el collar de conexión rápida hasta que haga "clic" en su lugar (Fig. 21).



4. El cañón de espuma está equipado con una perilla de ajuste de volumen de espuma. Siga las instrucciones tal como se indica para usar la perilla para ajustar el volumen de espuma (Fig. 22).



5. Aplique el detergente desde abajo hacia arriba en la superficie seca a ser limpiada. Aplicar detergente de esta forma disolverá la suciedad de forma más eficiente.

NOTA: no se recomienda mojar la superficie primero ya que esto diluye el detergente, reduciendo su capacidad limpiadora.

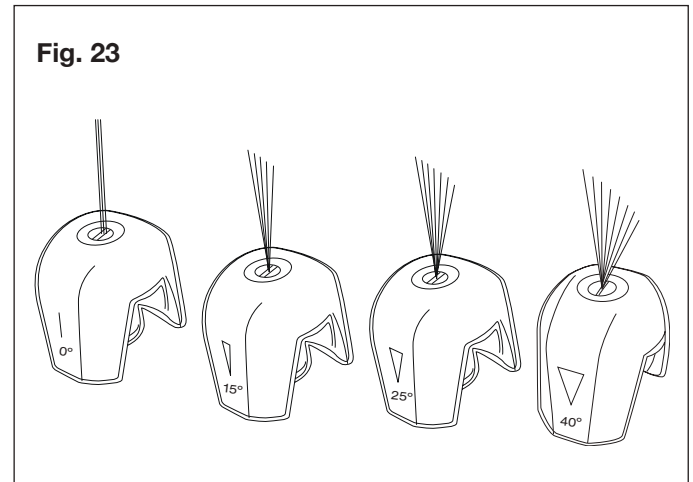
⚠ ¡PRECAUCIÓN! Pruebe siempre el detergente en un área no visible antes de usarlo.

6. Permita que el detergente permanezca en la superficie por un corto tiempo antes de enjuagarlo con el chorro de la hidrolavadora. No permita que el detergente se seque en la superficie.

⚠ PRECAUCIÓN! Las superficies pintadas se pueden dañar si el detergente se deja secar sobre estas. Lave y enjuague un área pequeña por vez. Evite trabajar en superficies calientes o bajo la luz directa del sol.

Enjuagado con la hidrolavadora

1. Apague la hidrolavadora y cierre el suministro de agua.
2. Apriete el gatillo para liberar la presión de agua.
3. Active la traba de seguridad en el gatillo de la pistola rociadora empujando hacia arriba la traba de seguridad hasta que haga "clic" en la ranura (Fig. 22).
4. Retire la botella de detergente con el cañón de espuma sujetando la botella mientras jala hacia atrás el collar de conexión rápida.
5. Seleccione la boquilla adecuada para el trabajo (Fig. 26):



- i) La boquilla de chorro intenso (rojo) de 0° es una boquilla extremadamente potente que brinda un chorro de alta presión como de punta de lápiz. Se usa para cortar depósitos pesados en un área pequeña y concentrada. Es ideal para disolver sustancias difíciles tales, como manchas de alquitrán y grasa en concreto, o para quitar barro encostrado en equipos. Use esta boquilla para limpiar áreas difíciles de alcanzar, incluyendo fachadas de edificios de dos pisos o debajo de podadoras de césped o tractores.

NOTA: se debe tener cuidado al escoger la boquilla adecuada para evitar abollar maderas permanentemente o dañar superficies frágiles.

- ii) Use la boquilla de punta de abanico de 15° (amarilla) para trabajos de limpieza profunda en superficies duras. Las aplicaciones incluyen el decapado de pintura, retiro de manchas de aceite, grasa, manchas difíciles de moho y óxido en acero. Esta boquilla solo deberá ser usada en áreas que puedan soportar la alta presión proveniente de ésta.
- iii) Use la boquilla de punta de abanico de 25° (verde) para limpiar fachadas, terrazas de madera, aceras o entradas para vehículos. Antes de usar esta boquilla, pruébela en un área pequeña primero para evitar daños a la superficie.
- iv) Use la boquilla de rociado ancho de 40° (gris) para limpiar objetos tales como vehículos, camiones, barcos, muebles de patio o equipos de jardinería.

- Empiece por la parte superior del área a ser enjuagada y trabaje hacia abajo, superponiendo las pasadas.

⚠ ¡IMPORTANTE! NUNCA USE:

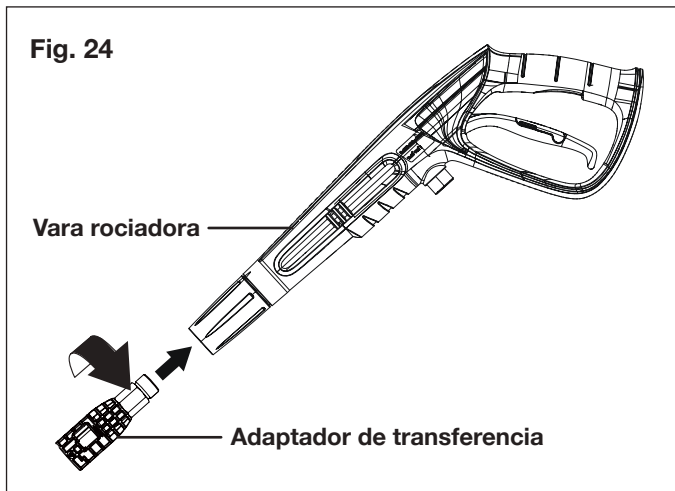
- Lejía, productos con cloro y otros químicos corrosivos.
- Líquidos que contengan solventes (p. ej., diluyentes de pinturas, gasolina, aceites).
- Productos de fosfato trisódico.
- Productos con amoníaco.
- Productos a base de ácidos.

Estos químicos dañarán la unidad y la superficie que está siendo limpiada.

Uso de los cepillos

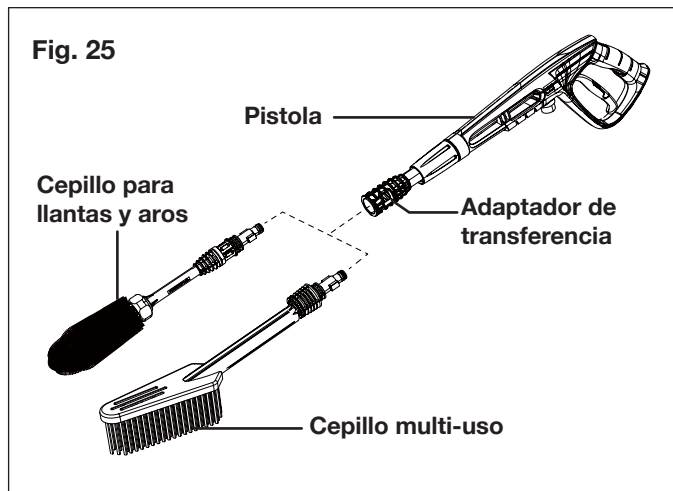
Esta hidrolavadora está equipada con dos cepillos: uno multi-uso y otro para trabajos intensos en llantas y aros. Para conectar los cepillos con la pistola rociadora, siga las instrucciones a continuación:

- Desconecte la vara rociadora de la pistola girándola en sentido antihorario.
- Primero conecte el adaptador de transferencia insertándolo en la pistola rociadora y girándolo en sentido horario tal como se muestra (Fig. 24).



- Tome el cepillo deseado y alinee las dos lengüetas con el interior del adaptador de transferencia. Una vez alineadas, empuje el cepillo dentro de la pistola y gírelo en sentido antihorario para trabarlo en su lugar (Fig. 25).

NOTA: los cepillos no pueden ser conectados a la pistola rociadora sin el adaptador de transferencia.



Apagado

- Mueva el interruptor a la posición OFF (“apagado”) (0) y desenchufe el cable de alimentación del tomacorriente.
- Cierre la llave de suministro de agua.
- Sujete el gatillo para liberar la presión de agua.
- Desconecte la manguera de jardín de la entrada de agua en la unidad.
- Desconecte la conexión de manguera de alta presión en el mango de la pistola rociadora.
- Suelte el gatillo y active la traba de seguridad de la pistola rociadora.

⚠ ¡ADVERTENCIA! Cierre la llave de suministro de agua y apriete el gatillo para despresurizar la unidad. No hacerlo puede resultar en lesiones personales debido a la descarga de agua a alta presión.

Cuando se detenga a descansar

Si usted se va a tomar un descanso de cinco minutos o más entre trabajos de limpieza:

- Active la traba de seguridad de la pistola (Fig. 22).
- Gire el interruptor a la posición OFF (“apagado”) (0).
- Desenchufe el cable de alimentación del tomacorriente.

Almacenamiento

⚠ ¡PRECAUCIÓN! Guarde siempre su hidrolavadora en un lugar donde la temperatura no descienda a menos de 32 °F (0 °C). La bomba de esta máquina es susceptible a un daño permanente si se congela. **EL DAÑO POR CONGELAMIENTO NO ESTÁ CUBIERTO POR LA GARANTÍA.**

- Guarde el producto en interiores, en un lugar cubierto, donde el clima no pueda dañarlo.
- Es importante guardar este producto en un área libre de riesgo de congelación.

- Vacíe siempre el agua de todas las mangueras, la bomba y el cañón de espuma antes de almacenar la unidad.

⚠ ¡PRECAUCIÓN! El uso de un protector de bomba es recomendado para evitar daños por congelamiento durante el almacenamiento en los meses de invierno.

Almacenamiento durante el invierno y a largo plazo

Si usted debe guardar su hidrolavadora en un lugar donde la temperatura sea menor de 32 °F (0 °C), puede minimizar el riesgo de daños a su máquina utilizando el siguiente procedimiento:

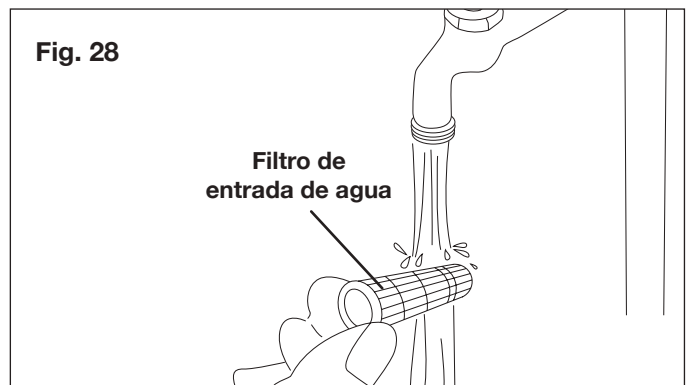
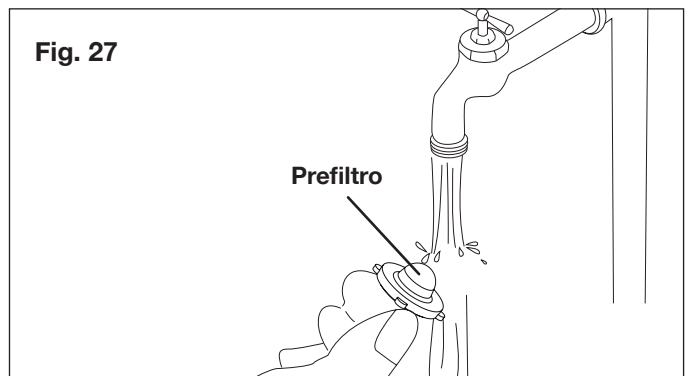
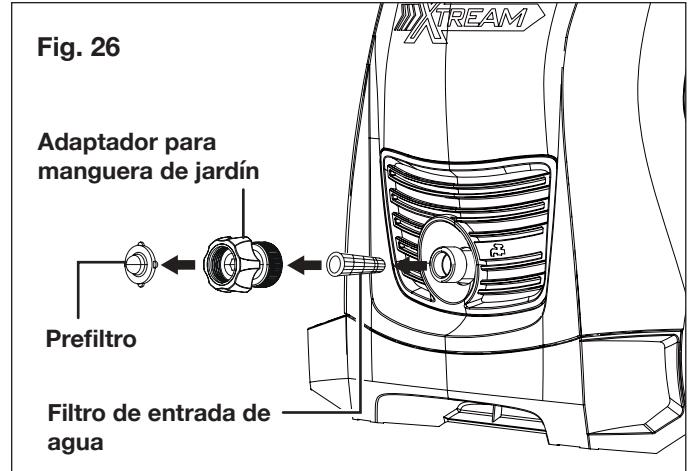
- Desconecte todas las conexiones de agua.
- Encienda la máquina por algunos segundos hasta que el agua restante de la bomba salga. Apáguela inmediatamente.
- No permita que la manguera de alta presión se retuerza o pliegue.
- Guarde la máquina y los accesorios en una habitación cuya temperatura no descienda al punto de congelamiento.
- No guarde la unidad cerca de hornos u otras fuentes de calor, ya que los sellos de la bomba se pueden secar.
- Opere la hidrolavadora con anticongelante no corrosivo/no tóxico, un rescatador, o un protector de bomba antes de guardarla durante el invierno.

⚠ ¡ADVERTENCIA! Antes de volver a usarla, enjuáguela por completo con agua limpia. El anti-congelante puede dañar la pintura de las superficies así que debe asegurarse de que no haya anticongelante en el sistema antes de volverlo a usar.

Mantenimiento

⚠ ¡PRECAUCIÓN! Antes de trabajar en la hidrolavadora, desconecte el enchufe del tomacorriente.

1. Para garantizar un buen desempeño, verifique y limpie el filtro de entrada de agua (Fig. 26). Retire el prefiltro y filtro de entrada de agua y enjuáguelos con agua tibia para evitar que cualquier material extraño obstruya la bomba (Figs. 27 y 28).



2. Limpie la boquilla con la herramienta de limpieza tipo aguja suministrada (Fig. 29). Retire la vara rociadora de la pistola; retire cualquier suciedad del agujero de la boquilla y enjuague .


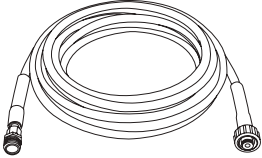


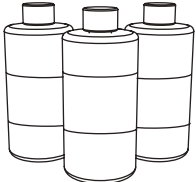
Solución de problemas

- Desconecte la unidad de la fuente de alimentación antes de llevar a cabo tareas de mantenimiento en la máquina o al verificar que sus partes estén funcionando correctamente.
- La manguera deberá estar conectada y la llave de agua abierta antes de operar su unidad. Si no, se dañará el motor de la bomba y se invalidará la garantía.
- Sistema de Parada Total (Total Stop System o TSS): el motor se APAGARÁ y se mantendrá en modo de espera durante periodos de inactividad, o tan pronto como la unidad sea presurizada. ESTO ES NORMAL. Simplemente apriete el gatillo para reiniciar el motor de bomba.
- Para evitar complicaciones innecesarias, verifique la siguiente tabla antes de comunicarse con la central de servicio al cliente por cualquier problema mecánico.

Problema	Causa posible	Solución posible
La máquina se rehúsa a encender	<ul style="list-style-type: none"> • Falla eléctrica/unidad no enchufada en tomacorriente activo. • Enchufe defectuoso. • Se fundió el fusible. • Cable de extensión defectuoso. 	<ul style="list-style-type: none"> • Verifique que la unidad esté enchufada en un tomacorriente activo. • Verifique el cable de alimentación y restablezca el GFCI. Pruebe otro tomacorriente. • Reemplace el fusible. Apague cualquier otra máquina que esté usando el mismo circuito. • Pruebe la máquina sin usar un cable de extensión.
Presión fluctuante	<ul style="list-style-type: none"> • Bomba absorbiendo aire. • Las válvulas están sucias, gastadas o atascadas. • Los sellos de la bomba están desgastados. 	<ul style="list-style-type: none"> • Verifique que las mangueras y conexiones sean herméticas. • Limpie o reemplace los sellos/válvulas. • Llame a la central de servicio al cliente de Snow Joe® + Sun Joe® al 1-866-SNOWJOE (1-866-766-9563) para pedir asistencia.
La máquina se detiene	<ul style="list-style-type: none"> • Se fundió el fusible. • Voltaje de red incorrecto. • El sensor térmico está activado. • La boquilla está parcialmente obstruida. 	<ul style="list-style-type: none"> • Reemplace el fusible. Apague las otras máquinas que estén usando el mismo circuito. • Verifique que el voltaje de la red corresponda a las especificaciones en la placa del modelo. • Deje que la hidrolavadora se enfríe por cinco minutos. • Limpie la boquilla.
El fusible se funde	<ul style="list-style-type: none"> • El fusible es muy pequeño. 	<ul style="list-style-type: none"> • Instale un fusible con un mayor amperaje que el consumido por la máquina. Pruebe la máquina sin usar un cable de extensión.
La máquina está palpitando	<ul style="list-style-type: none"> • Aire en la manguera de entrada. • Suministro de red de agua inadecuado. • La boquilla está parcialmente obstruida. • El filtro de agua está obstruido. • La manguera está plegada o retorcida. 	<ul style="list-style-type: none"> • Permita que la máquina funcione sujetando el gatillo hasta que se restablezca la presión regular de trabajo. • Verifique que la fuente de suministro de agua corresponda a las especificaciones requeridas. • ¡ADVERTENCIA! Evite usar mangueras largas y delgadas (deben tener un mínimo de 1/2 pulgada de diámetro). • Limpie la boquilla. • Limpie el filtro de entrada de agua. • Enderece la manguera para quitar los pliegues y obstrucciones.
La máquina generalmente se enciende y apaga por sí misma	<ul style="list-style-type: none"> • Hay fugas en la bomba o pistola rociadora. • El mecanismo del gatillo está descompuesto. 	<ul style="list-style-type: none"> • Llame a la central de servicio al cliente de Snow Joe® + Sun Joe® al 1-866-SNOWJOE (1-866-766-9563) para pedir asistencia.
La máquina se enciende pero no sale agua	<ul style="list-style-type: none"> • La bomba, las mangueras o los accesorios están congelados. • No hay caudal de agua. • El filtro de toma de agua está obstruido. • La boquilla está obstruida. 	<ul style="list-style-type: none"> • Espere que la bomba, las mangueras o los accesorios se descongelen. • Conecte a la toma de agua. • Limpie el filtro de toma de agua. • Limpie la boquilla.

Accesorios opcionales

⚠ ¡ADVERTENCIA! USE SIEMPRE solo partes de repuesto y accesorios autorizados de Snow Joe® + Sun Joe®. NUNCA use partes de repuesto o accesorios que no estén destinados para su uso con esta hidrolavadora eléctrica. Comuníquese con Snow Joe® + Sun Joe® si tiene dudas sobre si es seguro usar una parte de repuesto o accesorio en particular con su hidrolavadora. El uso de cualquier otro accesorio o parte puede ser peligroso y puede causar lesiones personales o daños mecánicos.

Accesorio	Descripción	Modelo
<p>1</p> 	<p>Juego de boquillas de rociado (Compatible con la mayoría de hidrolavadoras de la serie SPX)</p>	<p>SPX3000-TPS</p>
<p>2</p> 	<p>Manguera de extensión de alta presión de 25 pies para trabajos moderados (compatible con hidrolavadoras de la serie SPX)</p>	<p>SPX-25H</p>
<p>3</p> 	<p>Acoplador universal de conexión rápida y latón macizo (adaptador de manguera de jardín a hidrolavadora)</p>	<p>SPX-UQC</p>
<p>4</p> 	<p>Limpiador concentrado de casas y terrazas para hidrolavadoras Sun Joe®</p> <p>Detergente y limpiador en espuma Premium de autos para hidrolavadoras Sun Joe®</p> <p>Limpiador y desengrasador multipropósito de alto rendimiento para hidrolavadoras Sun Joe®</p>	<p>SPX-HDC1G</p> <p>SPX-FCS1G</p> <p>SPX-APC1G</p>
<p>5</p> 	<p>Concentrado para hidrolavadoras (paquete de 3 unidades)</p>	<p>SPX-ASST3Q</p>

¡La línea completa de hidrolavadoras de alta calidad de Sun Joe le facilita sus trabajos sucios y difíciles, sacando el máximo provecho de su modelo!

COMPRE EN LÍNEA AHORA visitando sunjoe.com

NOTA: los accesorios están sujetos a cambios sin obligación alguna por parte de Snow Joe® + Sun Joe® de notificar sobre dichos cambios. Los accesorios pueden ser pedidos en línea en sunjoe.com o vía telefónica llamando a la central de servicio al cliente Snow Joe® + Sun Joe® al 1-866-SNOWJOE (1-866-766-9563).



LA PROMESA DE SNOW JOE® + SUN JOE® AL CLIENTE

POR SOBRE TODO, en Snow Joe, LLC (“Snow Joe”) estamos dedicados a usted, nuestro cliente. Nos esforzamos por hacer que su experiencia sea lo más placentera posible. Desafortunadamente, hay veces en que un producto Snow Joe®, Sun Joe®, o Aqua Joe® (el “Producto”) no funciona o sufre un desperfecto bajo condiciones normales de operación. Creemos que es importante que usted sepa que puede confiar en nosotros. Es por eso que tenemos esta Garantía Limitada (la “Garantía”) para nuestros Productos.

NUESTRA GARANTÍA:

Snow Joe garantiza que sus Productos motorizados y no motorizados, nuevos y genuinos, están libres de defectos materiales o de mano de obra al ser usados en tareas domésticas normales durante un periodo de dos (2) años a partir de la fecha de compra por parte del comprador original y usuario final, cuando este último los compra a través de Snow Joe o un vendedor autorizado por Snow Joe y ha obtenido un comprobante de compra. Ya que Snow Joe no puede controlar la calidad de sus Productos vendidos por vendedores no autorizados, a menos que la ley lo prohíba esta Garantía no cubre Productos adquiridos a través de vendedores no autorizados. Si su Producto no funciona, o hay un problema con una parte específica que está cubierta por los términos de esta Garantía, Snow Joe elegirá entre: (1) enviarle una parte de repuesto gratuita; (2) reemplazar el Producto con uno nuevo o similar sin costo alguno; o (3) reparar el Producto. ¡Un excelente soporte!

Esta Garantía le da derechos legales específicos, y usted puede también tener otros derechos según el Estado.

REGISTRO DEL PRODUCTO:

Snow Joe le recomienda enfáticamente registrar su Producto. Usted puede registrar su Producto en línea visitando snowjoe.com/register, imprimiendo y enviando por correo una tarjeta de registro disponible en línea en nuestro sitio Web, llamando a nuestra central de servicio al cliente al **1-866-SNOWJOE (1-866-766-9563)**, o enviándonos un e-mail a help@snowjoe.com. Si usted no registra su Producto sus derechos de garantía no disminuirán; sin embargo, registrar su Producto permitirá que Snow Joe le pueda atender mejor si usted tiene alguna necesidad como cliente.

¿QUIÉN PUEDE SOLICITAR COBERTURA DE GARANTÍA LIMITADA?

Esta Garantía es otorgada por Snow Joe al comprador original y propietario original del Producto.

¿QUÉ NO ESTÁ CUBIERTO?

Esta Garantía no se aplica si el Producto ha sido usado de forma comercial o en aplicaciones no domésticas o de alquiler. Esta Garantía tampoco se aplica si el Producto fue adquirido desde un vendedor no autorizado. Esta garantía tampoco cubre cambios cosméticos que no afecten el funcionamiento del Producto. Las partes desgastables como correas, brocas y cuchillas no están cubiertas por esta Garantía, y pueden ser compradas visitando snowjoe.com o llamando al **1-866-SNOWJOE (1-866-766-9563)**.



13 A NETTOYEUR ÉLECTRIQUE HAUTE PRESSION

2 200 PSI MAX. LORS DU REFOULEMENT INITIAL, SELON LES ESSAIS DE PRESSION INTERNE DE LA CSA
6,2 l/min MAX. LA BUSE ÉTANT OUVERTE À PRESSION MINIMALE

MANUEL D'UTILISATION

Une division de Snow Joe®, LLC

Modèle **SPX3000-XT1**

Formulaire n° SJ-SPX3000-XT1-880F-MR1

IMPORTANT!

Consignes de sécurité

Tous les utilisateurs doivent lire ces instructions avant d'utiliser la machine

⚠️ AVERTISSEMENT! Ceci indique une situation dangereuse qui, si elle n'est pas évitée, pourrait entraîner des blessures graves, voire même fatales.

⚠️ MISE EN GARDE! Ceci indique une situation dangereuse qui, si elle n'est pas évitée, pourrait entraîner des blessures mineures ou un peu plus graves.

⚠️ DANGER! Ceci indique une situation dangereuse qui, en l'absence de précautions, entraînera des blessures graves, voire même fatales.

Sécurité générale

⚠️ AVERTISSEMENT! Cette machine n'est pas destinée à être utilisée par des enfants ou par des personnes qui ne sont ni assistées ni supervisées et dont les capacités physiques, sensorielles ou mentales les empêchent de l'utiliser sans danger. Les enfants doivent toujours être supervisés pour s'assurer qu'ils ne jouent pas avec la machine.

Avant de démarrer votre machine, veuillez l'inspecter soigneusement pour vérifier si elle présente d'éventuels défauts. Si vous en trouvez, ne démarrez pas votre machine. Communiquez avec votre revendeur Snow Joe® + Sun Joe® agréé ou appelez le service clientèle Snow Joe® + Sun Joe® au 1-866-SNOWJOE (1-866-766-9563).

⚠️ AVERTISSEMENT! Lors de l'utilisation du nettoyeur haute pression, les précautions de sécurité de base doivent toujours être suivies pour réduire le risque d'incendie, d'électrocution ou de se blesser. Il s'agit des précautions suivantes :

- **Apprendre à bien connaître l'outil** – Sachez comment arrêter la machine et comment relâcher toute la pression rapidement. Familiarisez-vous complètement avec les commandes.
- **Tenir les spectateurs éloignés** – Tous les visiteurs et les animaux familiers doivent être maintenus à bonne distance de la zone de travail.

- **Utiliser le bon outil** – N'utilisez pas cette machine pour des travaux différents de ceux pour lesquels elle est destinée.
- **S'habiller en conséquence** – Ne portez ni vêtements amples ni bijoux. Ils peuvent être happés par les pièces mobiles. Il est recommandé de porter des gants de protection en caoutchouc et des chaussures antidérapantes pour tout travail à l'extérieur.
- **⚠️ MISE EN GARDE!** – Faire très attention pour éviter de glisser ou de tomber. Porter des chaussures de protection pour se protéger les pieds et avoir une meilleure prise sur les surfaces glissantes.
- **Rester vigilant** – Surveillez ce que vous faites. Faites preuve de bon sens. N'utilisez pas le nettoyeur haute pression quand vous êtes fatigué ou si vous avez consommé de l'alcool ou de la drogue.
- **AVERTISSEMENT!** Risque de blessure : ne pas diriger le jet vers des personnes.
- **Ne pas s'arc-bouter** – Restez en permanence sur vos deux pieds et ne perdez pas l'équilibre.
- **Prévenir les démarrages accidentels** – Ne transportez pas une machine branchée en ayant le doigt sur la gâchette. Avant de brancher la machine, assurez-vous que l'interrupteur est à la position d'arrêt.
- **Ne pas utiliser le cordon à mauvais escient** – Ne tirez jamais la machine par le cordon et ne tirez pas brusquement sur le cordon pour le retirer de la prise. Maintenez le cordon éloigné de toute source de chaleur, de l'huile et des objets tranchants.
- **Porter des lunettes de protection** – Portez également des chaussures de protection, des vêtements serrés près du corps, des gants de protection, des protecteurs d'oreilles et une protection de la tête.
- **Vérifier la température de l'eau** – Ce nettoyeur haute pression n'est pas destiné à pomper de l'eau chaude. Pour éviter de réduire considérablement la durée de vie de la pompe, **NE JAMAIS** raccorder le nettoyeur haute pression à un réseau d'alimentation en eau chaude.
- **Remiser à l'intérieur** – **NE JAMAIS** remiser le nettoyeur haute pression à l'extérieur où dans un endroit où il pourrait geler. La pompe pourrait être gravement endommagée.
- **Inspecter les câbles électriques** – L'isolation du cordon d'alimentation doit être parfaitement intacte. Si le cordon d'alimentation est endommagé ou présente des signes d'usure normale, n'utilisez pas le nettoyeur haute pression. Communiquez avec votre revendeur Snow Joe® + Sun Joe® agréé ou appelez le service clientèle Snow Joe® + Sun Joe® au 1-866-SNOWJOE (1-866-766-9563).

⚠ MISE EN GARDE! Pour éviter d'endommager cette machine, ne pas la laisser fonctionner à sec. Avant de la démarrer, s'assurer qu'elle est régulièrement alimentée en eau et de façon appropriée.

⚠ AVERTISSEMENT! Ne pas utiliser cette machine sans lire les instructions de ce manuel.

⚠ AVERTISSEMENT! Cette machine a été conçue pour être utilisée avec les agents de nettoyage qui sont recommandés par le fabricant. L'utilisation d'autres agents de nettoyage ou produits chimiques peut nuire à la sécurité de la machine.

⚠ AVERTISSEMENT! Ne pas utiliser la machine près de personnes se trouvant dans son rayon d'action, à moins qu'elles portent des vêtements de protection.

⚠ AVERTISSEMENT! Les jets à haute pression peuvent être dangereux s'ils ne sont pas utilisés à bon escient. Le jet ne doit pas être dirigé vers des personnes, des animaux familiers, du matériel électrique ou la machine elle-même.

- Ne pas diriger le jet contre soi-même ou autrui, pour nettoyer les vêtements ou les chaussures.
- **Risque d'explosion** – Ne pas pulvériser de liquides inflammables.
- **Débrancher l'outil** – Avant d'effectuer la moindre tâche d'entretien, débrancher le cordon d'alimentation.
- **Maintenir les enfants à distance** – Ce nettoyeur haute pression électrique ne doit pas être utilisé par des enfants ou des personnes inexpérimentées.
- Pour assurer la sécurité de la machine, utiliser uniquement des pièces de rechange d'origine du fabricant ou homologuées par le fabricant.

⚠ AVERTISSEMENT! L'eau qui a traversé les dispositifs anti-siphonnement est considérée comme non potable.

⚠ AVERTISSEMENT! Pendant son nettoyage, son entretien ou lors du remplacement de pièces, la machine doit être débranchée de sa source d'alimentation en retirant la fiche de la prise de courant.

⚠ AVERTISSEMENT! Les flexibles, raccords et raccordements haute pression sont importants pour l'utilisation sans danger de l'outil. Utiliser uniquement les flexibles, raccords et raccordements recommandés par le fabricant.

- **Vérifier que les pièces ne sont pas endommagées**
– N'utilisez pas la machine si le cordon d'alimentation ou d'autres pièces importantes de la machine sont endommagés (p. ex., les dispositifs de sécurité, les flexibles haute pression, le pistolet).

⚠ AVERTISSEMENT! Dans le cas où une rallonge électrique est utilisée, la fiche et la prise doivent être étanches.

⚠ AVERTISSEMENT! Les rallonges électriques inadéquates peuvent être dangereuses.

- Ce nettoyeur haute pression électrique ne doit pas être utilisé à des températures inférieures à 0 °C.

⚠ AVERTISSEMENT! Les cordons d'alimentation doivent toujours être complètement déroulés de leur tambour pour éviter qu'ils surchauffent.

- Les branchements de cordon d'alimentation doivent toujours être maintenus au sec et éloignés du sol.
- Si le cordon est endommagé, ne pas utiliser la machine. Communiquez avec votre revendeur Snow Joe® + Sun Joe® agréé ou appelez le service clientèle Snow Joe® + Sun Joe® au 1-866-SNOWJOE (1-866-766-9563).
- Pendant son utilisation, sa manutention, son transport ou son remisage, maintenir la machine sur une surface plane et stable. Le renversement soudain de la machine peut être à l'origine de blessures corporelles.
- En cas d'accident ou de panne, arrêter immédiatement la machine (en cas de contact avec du détergent, rincer abondamment à l'eau propre).

Sécurité électrique

ATTENTION : s'il y a des problèmes avec le RÉSEAU électrique, une brève chute de tension peut se produire au démarrage de la machine. Ceci peut alors avoir des répercussions sur d'autres appareils (p. ex., faire vaciller une lampe). Si l'IMPÉDANCE MAXIMALE DU COURANT DU SECTEUR (Z_{max}) est inférieure à 0,335 ohm, il ne faut pas s'attendre à de telles perturbations (si vous avez besoin d'assistance, communiquez avec votre distributeur d'électricité local pour de plus amples informations).

⚠ AVERTISSEMENT! Risque d'électrocution – Avant de démarrer votre machine, veuillez l'inspecter soigneusement pour vérifier si elle présente d'éventuels défauts. Si vous en trouvez, ne démarrez pas votre machine et communiquez avec votre revendeur.


Les points suivants doivent être observés lors du branchement du nettoyeur haute pression électrique sur le secteur :

- Le raccordement électrique au réseau doit être effectué par une personne qualifiée.
- L'alimentation électrique de cette machine doit être protégée par un dispositif différentiel à courant résiduel (DDR) qui coupera le courant si la fuite à la terre du courant est supérieure à 30 mA pendant 30 ms, ou par un dispositif qui interrompra le courant à la terre (disjoncteur de fuite de terre).

IMPORTANT : utilisez uniquement de l'eau sans la moindre impureté. S'il y a un risque que du sable pénètre dans l'arrivée d'eau (p. ex., en provenance de votre propre puits), un filtre supplémentaire doit être monté.

Dispositifs de sécurité

Le clapet de marche à vide peut réduire la pression si elle est supérieure aux valeurs prédéfinies. Le pistolet de pulvérisation présente un dispositif de verrouillage. Lorsque le verrouillage est activé, le pistolet de pulvérisation ne peut pas fonctionner.

- 1. Capteur thermique** – Un capteur thermique protège le moteur contre les surcharges. La machine redémarrera au bout de quelques minutes, une fois que le capteur thermique s'est refroidi.
- 2. Double isolation** – Les machines à double isolation sont dotées de deux systèmes d'isolation au lieu d'une mise à la terre. Aucune mise à la terre n'est prévue sur les machines à double isolation et aucune mise à la terre ne doit être ajoutée à ces machines. Toute intervention sur une machine à double isolation exige un soin extrême et une parfaite connaissance du système et doit être effectuée uniquement par du personnel technique qualifié chez un revendeur Snow Joe® + Sun Joe® agréé. Les pièces de rechange pour une machine à double isolation doivent être identiques aux pièces d'origine. Les indications « Double isolation » ou « Doublement isolé » sont marquées sur toutes les machines à double isolation. Le symbole  (carré dans un carré) peut être également marqué sur la machine.
- 3. Protection par disjoncteur différentiel de fuite de terre (DDFT)** – Cette machine est fournie avec un disjoncteur différentiel de fuite de terre intégré dans la fiche du cordon d'alimentation. Si la fiche ou le cordon nécessitent d'être remplacés, utilisez uniquement des pièces de rechange identiques.
- 4.** Il n'est pas recommandé d'utiliser une rallonge électrique avec ce nettoyeur haute pression. La machine est fournie avec un cordon d'alimentation de 10,7 m équipé d'un disjoncteur de fuite de terre. L'utilisation d'une rallonge provoquera une chute de tension dans les lignes, ce qui entraînera une perte de puissance et une surchauffe.

Utilisez uniquement une rallonge électrique conçue pour l'extérieur. Les rallonges électriques de ce type sont marquées « Acceptable pour une utilisation avec un appareil d'extérieur; ranger à l'intérieur en cas de non-utilisation ». Utilisez uniquement une rallonge électrique dont les valeurs des caractéristiques électriques ne sont pas inférieures à celles de la machine. N'utilisez pas une rallonge électrique qui est endommagée. Avant utilisation, examinez la rallonge électrique et remplacez-la si elle est endommagée. Ne malmenez pas la rallonge électrique et ne tirez pas brusquement sur un cordon pour le débrancher. Maintenez le cordon éloigné de toute source de chaleur et des arêtes tranchantes. Avant de débrancher la machine de la rallonge électrique, débranchez toujours la rallonge électrique de la prise.

- 5.** Pour réduire le risque de décharge électrique, cette machine est munie d'une fiche polarisée (c.-à-d., une lame est plus large que l'autre). La fiche de la machine ne s'insère que d'une seule façon dans une prise polarisée. Si la fiche de la machine ne rentre pas complètement dans la prise, inversez-la. Si la fiche ne s'insère toujours

pas, vérifiez que vous utilisez la prise murale polarisée appropriée. Si la fiche ne s'insère pas, communiquez avec un électricien qualifié pour qu'il pose une prise adéquate. N'apportez aucune modification, quelle qu'elle soit, à la fiche de la machine, à la prise du cordon d'alimentation ou à la fiche du cordon d'alimentation.

AVERTISSEMENT

Les décharges électriques peuvent entraîner des BLESSURES GRAVES, voire même FATALES. Tenir compte de ces avertissements :

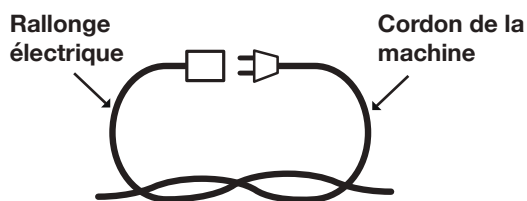
- Ne laisser aucune pièce du nettoyeur haute pression électrique entrer en contact avec de l'eau pendant son utilisation. Si la machine se mouille lorsqu'elle n'est pas sous tension, l'essuyer avant de la redémarrer.
- Ne pas utiliser une rallonge électrique de plus de 7,6 m de longueur. Le nettoyeur haute pression est équipé d'un cordon d'alimentation de 10,7 m. La longueur totale du cordon ne doit pas être supérieure à 18,3 m. Toute rallonge doit être de calibre 14 (ou inférieur) pour alimenter sans danger le nettoyeur haute pression.
- Ne pas toucher la machine ou sa prise de courant les mains mouillées ou les pieds dans l'eau. Le port de bottes de caoutchouc offre une certaine protection.

TABLEAU - RALLONGE ÉLECTRIQUE

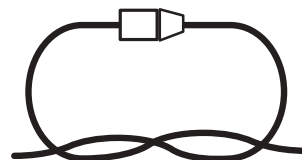
Longueur de cordon :	7,6 m
Calibrage normalisé des fils (AWG) (min.) :	14

- 6.** Pour empêcher que le cordon de la machine se débranche de la rallonge électrique pendant son utilisation, faites un nœud avec les deux cordons comme cela est illustré Tableau 1.

Tableau 1. Méthode d'attache de rallonge électrique



(A) Nouer les cordons comme sur l'illustration



(B) Brancher la fiche dans la prise

7. N'utilisez pas le cordon à mauvais escient. Ne tirez jamais le nettoyeur haute pression par le cordon et ne tirez pas brusquement sur le cordon pour le retirer de la prise. Maintenez le cordon éloigné de toute source de chaleur, de l'huile et des objets tranchants.

Risque d'électrocution

- Avant de l'utiliser, inspecter le cordon.
- Ne pas utiliser le cordon s'il est endommagé.
- Maintenir tous les branchements au sec et éloignés du sol.
- Ne pas toucher la prise électrique les mains mouillées.
- Maintenir le cordon éloigné de toute source de chaleur et des objets tranchants.
- Ne pas diriger le jet vers des appareils électriques ou des câbles.

Risque d'explosion

- Ne pas diriger le jet vers des liquides inflammables.
- Ne pas utiliser des acides, des bases, des solvants ou des matières inflammables dans cette machine. Ces substances peuvent blesser l'utilisateur et irrémédiablement endommager la machine.

Consignes de sécurité supplémentaires

- Haute pression : rester éloigné de la buse.
- Risque d'injection : la machine peut être à l'origine de graves blessures si le jet pénètre dans la peau.
- Ne pas pointer le pistolet vers une personne ou une partie quelconque du corps.
- En cas de pénétration dans la peau, demander immédiatement une assistance médicale.
- Avant d'intervenir sur la machine, de la nettoyer ou de déposer des pièces, la débrancher et relâcher la pression.
- Cette machine n'est pas adaptée pour se raccorder au réseau d'eau potable.

Description de la machine

Finalité

- Ce nettoyeur haute pression électrique est destiné à un usage résidentiel pour le nettoyage de véhicules, de machines, de bâtiments, de façades, etc.


Domaines d'applications

- N'utiliser sous aucun prétexte la machine dans des zones où des explosions peuvent se produire!
- La température de service doit être comprise entre 0 °C et 40 °C.

- La machine se compose d'un ensemble avec une pompe qui est enfermée dans un boîtier amortisseur. Pour pouvoir utiliser la machine dans les meilleures conditions possible, celle-ci est équipée d'une lance et d'une poignée antidérapante dont la forme et la configuration sont conformes aux réglementations en vigueur.
- Ne pas couvrir ou n'apporter aucune modification, quelle qu'elle soit, à la lance ou aux buses de pulvérisation.
- Le nettoyeur haute pression électrique est conçu pour être utilisé avec de l'eau froide ou tiède, l'eau à des températures plus élevées pouvant endommager la pompe.
- Ne pas utiliser d'eau sale, contenant des graviers ou des produits chimiques, car ceux-ci pourraient perturber le fonctionnement de la machine et raccourcir sa durée de vie.

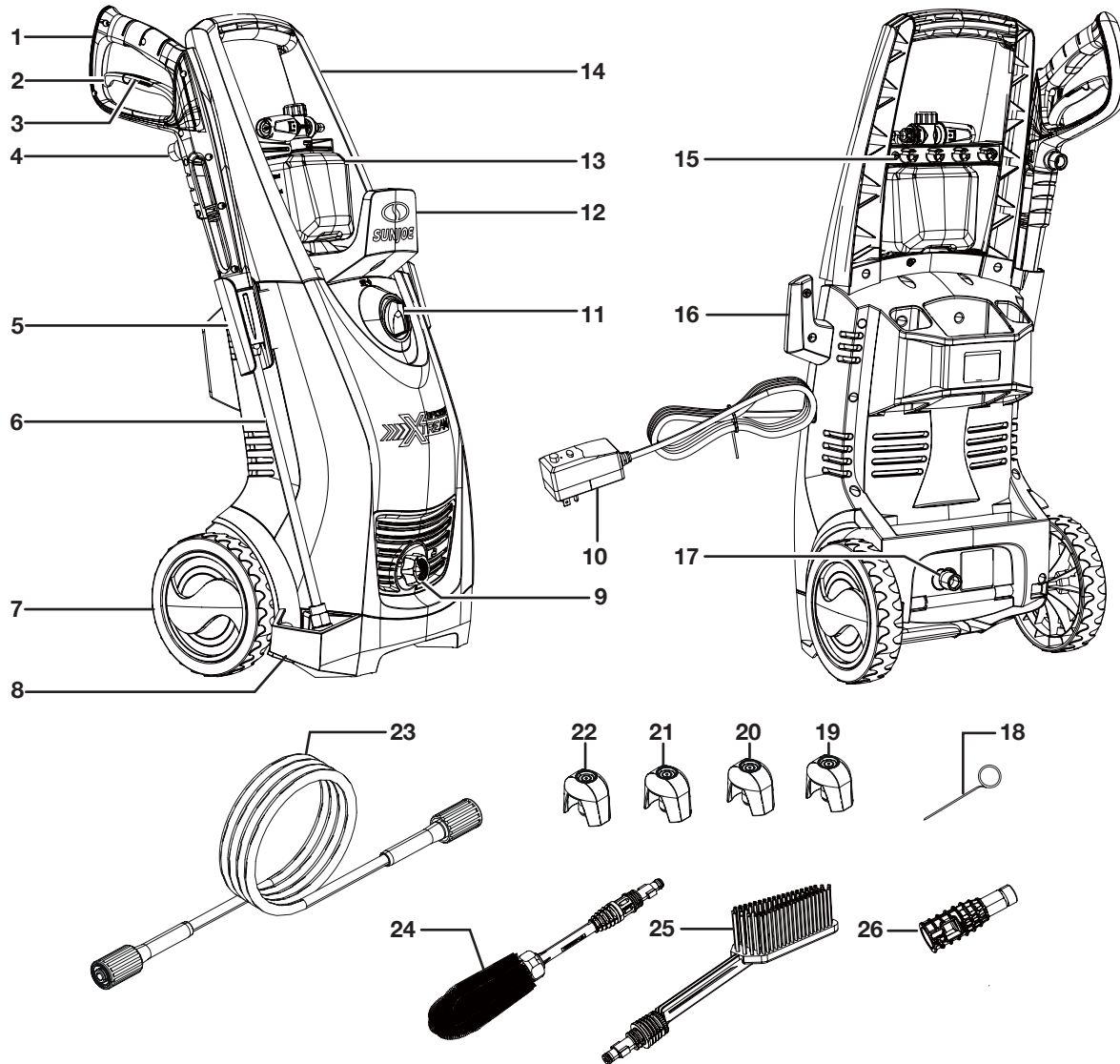
Symboles de sécurité

Le tableau suivant décrit et explique les symboles de sécurité pouvant être marqués sur cet appareil. Lisez, comprenez et suivez toutes les instructions sur la machine avant d'essayer de procéder à son assemblage et de l'utiliser.

Symboles	Descriptions	Symboles	Descriptions
	LIRE LE OU LES MANUELS D'UTILISATION – Lire, comprendre et suivre toutes les instructions du ou des manuels avant d'essayer d'assembler et d'utiliser la machine.		AVERTISSEMENT! Risque d'électrocution.
	ALERTE DE SÉCURITÉ – Indique une précaution, un avertissement ou un danger.		AVERTISSEMENT! Ne pas utiliser la machine sous la pluie ou par forte humidité. Garder la machine au sec.
	LUNETTES DE SÉCURITÉ ET SERRE-TÊTE ANTIBRUIT OBLIGATOIRES – Pour éviter de se blesser, porter des protège-oreilles et des lunettes de sécurité.		Pour réduire le risque de se blesser, l'utilisateur doit maintenir tous les spectateurs à une distance d'au moins 15 m.
	Pour la protection des mains, porter des gants de sécurité lors de l'utilisation de la machine.		Porter des chaussures antidérapantes pour se protéger les pieds et avoir une meilleure prise sur les surfaces glissantes.
	Remiser à l'intérieur. Ne jamais remiser le nettoyeur haute pression à l'extérieur. Si la pompe gèle, elle peut être irrémédiablement endommagée.		Cette machine n'est pas adaptée pour se raccorder au réseau d'eau potable.
	Toujours maintenir le cordon d'alimentation éloigné des sources de chaleur, de l'huile ou des objets tranchants. Retirer immédiatement la fiche du secteur si le cordon est endommagé, effiloché ou emmêlé.		AVERTISSEMENT! Arrêter la machine et la débrancher de la source d'alimentation avant de l'inspecter, de la nettoyer, de changer des accessoires ou de conduire tout autre travail d'entretien.
	Le niveau sonore inoffensif est de 96 dB(A).		Double isolation : pour les réparations, utiliser uniquement des pièces de rechange identiques.

Familiarisez-vous avec votre nettoyeur haute pression électrique

Lisez attentivement le manuel de l'utilisateur et les consignes de sécurité avant d'utiliser le nettoyeur haute pression. Comparez l'illustration ci-dessous avec le nettoyeur haute pression électrique pour vous familiariser avec l'emplacement des différents réglages et commandes. Conservez ce manuel pour pouvoir vous y reporter dans le futur.



- | | | |
|---|---|---|
| 1. Pistolet à gâchette | 10. Cordon d'alimentation à disjoncteur de fuite de terre | 19. Buse 0° à branchement rapide (rouge) |
| 2. Gâchette | 11. Interrupteur marche/arrêt | 20. Buse 15° à branchement rapide (jaune) |
| 3. Verrouillage de sécurité | 12. Porte-flexible | 21. Buse 25° à branchement rapide (verte) |
| 4. Branchement du flexible haute pression | 13. Canon à mousse | 22. Buse 40° à branchement rapide (grise) |
| 5. Porte-pistolet | 14. Poignée de transport | 23. Flexible haute pression |
| 6. Lance en acier inoxydable | 15. Rangement spécial pour buses à branchement rapide | 24. Brosse pour roues et jantes |
| 7. Roues | 16. Attache-cordon | 25. Brosse à soie souple à usages multiples |
| 8. Protège-lance | 17. Sortie d'eau (raccord haute pression) | 26. Raccord de transfert |
| 9. Raccord de boyau d'arrosage (femelle) | 18. Aiguille de curage | |

Données techniques

Tension nominale	120 V ~ 60 Hz
Moteur	13 A
Température max. d'arrivée d'eau	40 °C
Pression max. d'arrivée d'eau	0,7 MPa
Pression max. lors du refoulement initial	2 200 psi
selon les essais de pression interne de la CSA	
Pression nominale sous charge typique	1 700 psi
Débit max. la buse étant ouverte	6,2 l/min
à pression minimale	
Débit nominal sous charge typique	4,5 l/min
Longueur du tuyau flexible	6 m
haute pression renforcé en acier	
Capacité du canon à mousse	1 l
Longueur du cordon	10,7 m
d'alimentation (GFCI protégé)	
Poids net	12,9 kg

Déballage

Contenu de la caisse

- Nettoyeur électrique haute pression
 - Poignée de transport
 - Pistolet à gâchette
 - Lance en acier inoxydable
 - Quatre (4) buses à branchement rapide (0°, 15°, 25°, et 40°)
 - Canon à mousse
 - Brosse pour roues et jantes
 - Brosse à soie souple à usages multiples
 - Raccord de transfert
 - Quatre (4) grandes vis
 - Deux (2) petites vis
 - Protège-lance
 - Porte-pistolet
 - Porte-flexible
 - Aiguille de curage
 - Flexible haute pression
 - Raccord de boyau d'arrosage (femelle) avec deux bagues d'étanchéité
 - Manuel et carte d'enregistrement
1. Retirez soigneusement le nettoyeur haute pression de la caisse et inspectez-le pour vérifier que tous les éléments énumérés ci-dessus sont fournis.
 2. Inspectez soigneusement le contenu pour vous assurer qu'aucun élément n'a été brisé ou endommagé pendant le transport. Si vous constatez que des pièces manquent ou sont endommagées, NE PAS retourner la

machine au magasin. Veuillez appeler le service clientèle Snow Joe® + Sun Joe® au 1-866-SNOWJOE (1-866-766-9563).

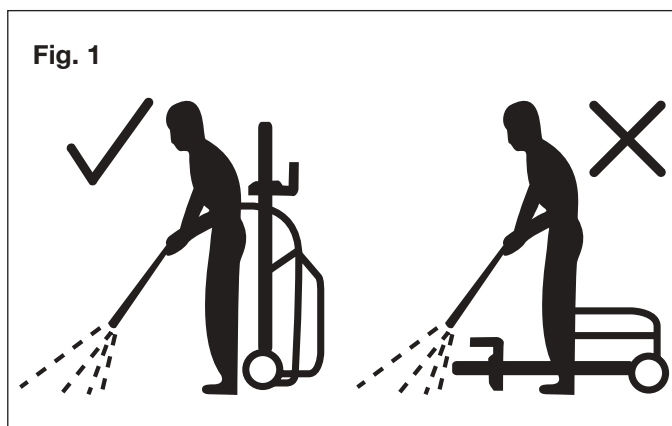
REMARQUE : ne jetez pas la caisse d'expédition et l'emballage tant que vous n'êtes pas prêt à utiliser votre nouveau nettoyeur haute pression électrique. L'emballage est fabriqué dans des matériaux recyclables. Éliminez ces matériaux de façon appropriée et conformément à la réglementation locale.

IMPORTANT! Le matériel et l'emballage ne sont pas des jouets. Ne laissez pas les enfants jouer avec les sacs en plastique, les feuilles métalliques ou les petites pièces. Ces éléments peuvent être avalés et présentent un danger de suffocation!

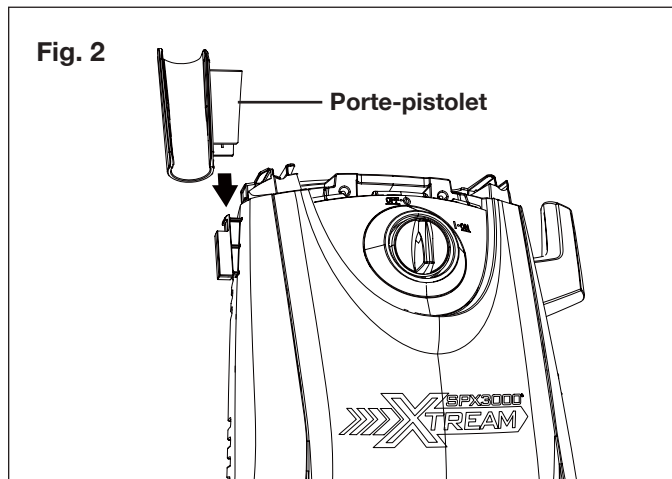
AVERTISSEMENT! Ne pas brancher sur le secteur tant que le montage n'est pas terminé. Ne pas tenir compte de cet avertissement peut être à l'origine d'un démarrage accidentel et de graves blessures.

Assemblage

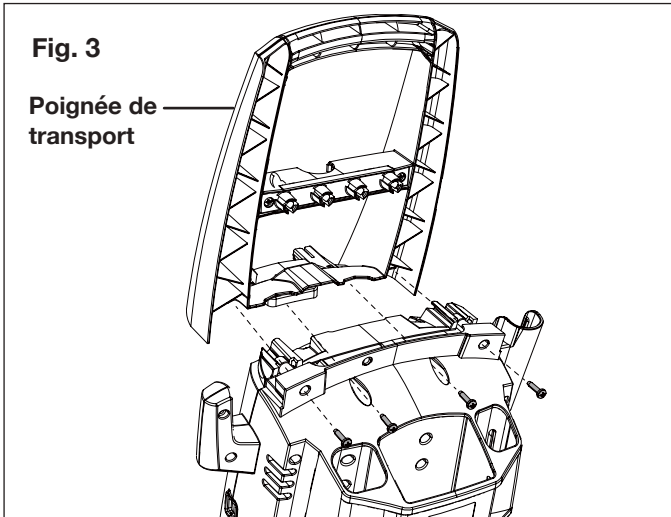
1. Positionnez le nettoyeur aussi près que possible de l'alimentation en eau.
2. Le nettoyeur doit être utilisé sur une surface sûre et stable, l'utilisateur se tenant debout (Fig. 1).



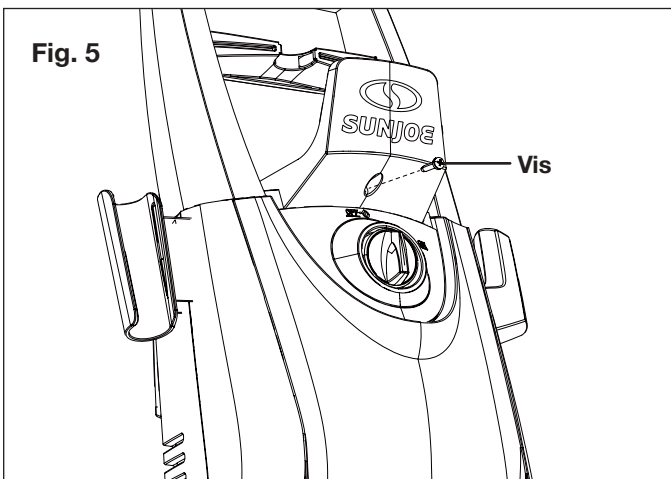
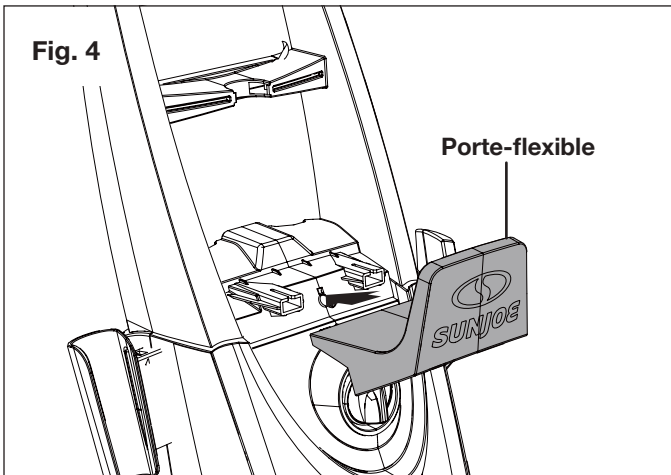
3. Glissez le pistolet à gâchette pour le mettre en place (Fig. 2).



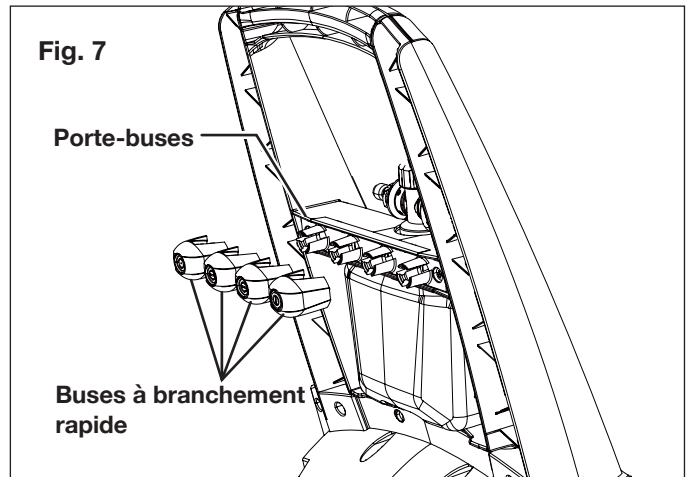
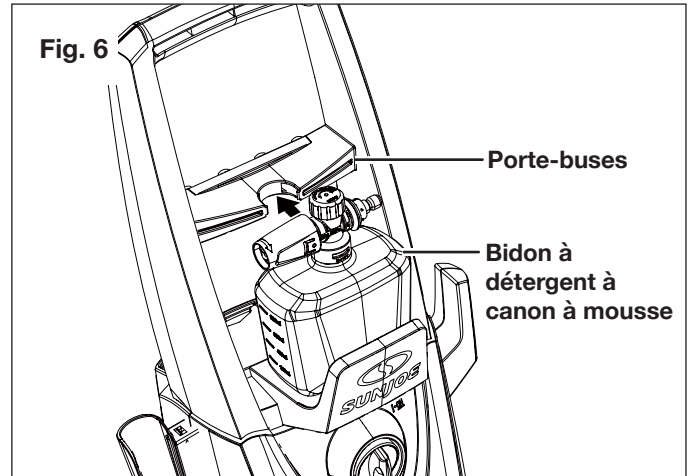
4. Glissez la poignée pour la mettre en place et attachez-la à l'aide de 4 grandes vis (Fig. 3).



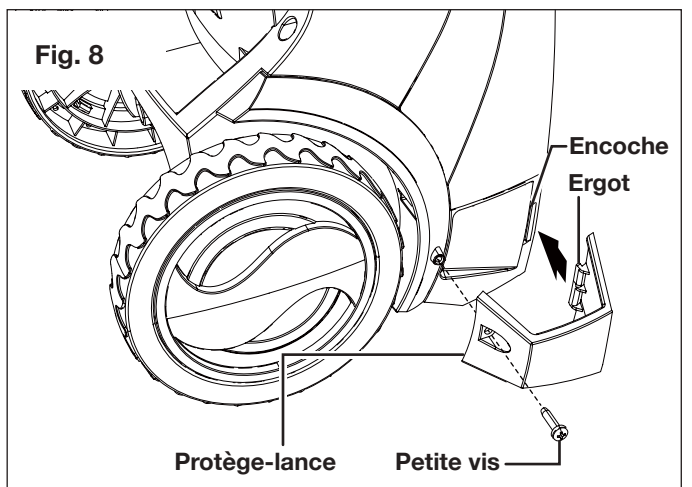
5. Pour assembler le porte-flexible, glissez-le pour le mettre en place (Fig. 4) et attachez-le à la machine à l'aide d'une petite vis une fois qu'il est en place (Fig. 5).



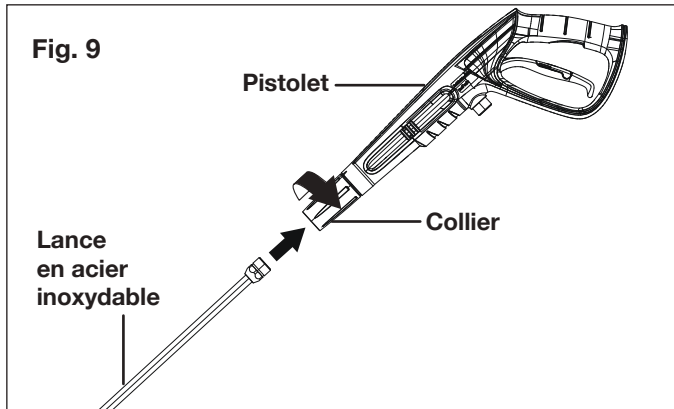
6. Cliquez sur le canon à mousse à l'avant du porte-buses et sur les quatre buses à branchement rapide à l'arrière (Fig. 6 et 7).



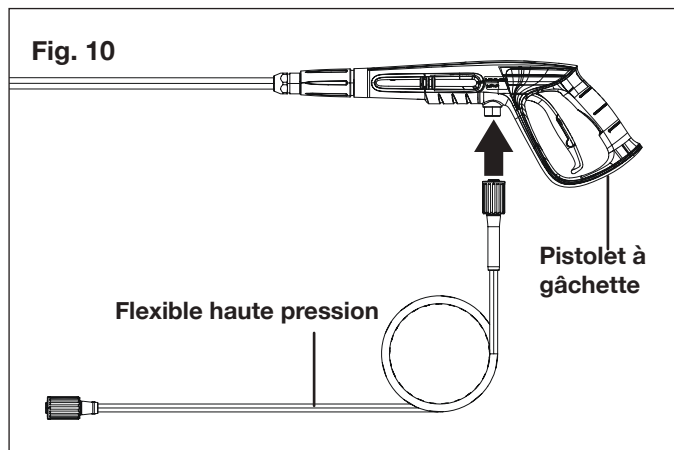
7. Pour assembler le protège-lance, enclenchez d'abord l'ergot dans l'encoche située dans le coin inférieur gauche de la machine et attachez-le ensuite à l'aide d'une petite vis une fois qu'il est en place (Fig. 8).



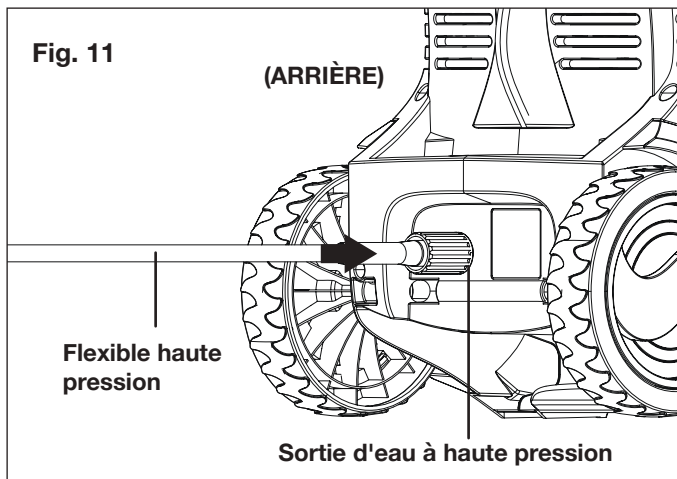
8. Insérez la lance d'arrosage en acier inoxydable dans le pistolet à gâchette et tournez le collier jusqu'à ce que les deux parties soient complètement verrouillées (Fig. 9).



9. Branchez le flexible haute pression dans le pistolet (Fig. 10).



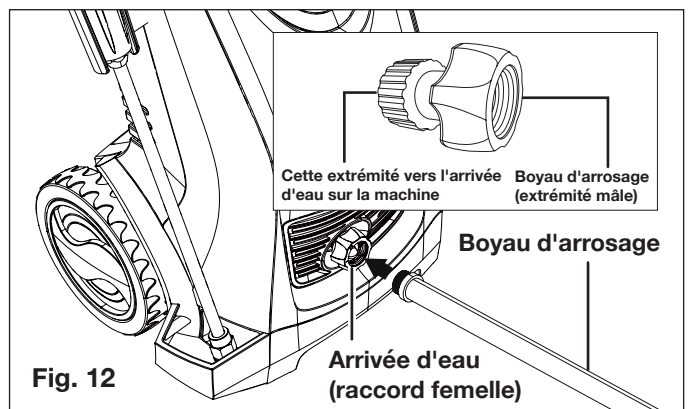
10. Branchez le flexible haute pression sur la sortie d'eau de la machine (Fig. 15).



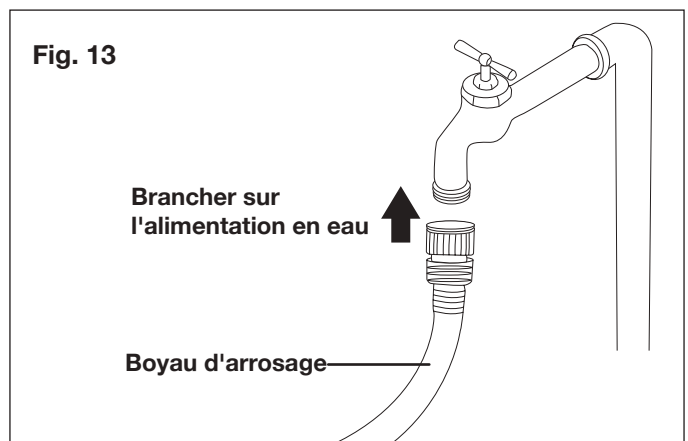
⚠ AVERTISSEMENT! Maintenir le flexible à l'écart des objets tranchants. Les flexibles qui éclatent peuvent blesser. Examiner régulièrement les flexibles et les remplacer s'ils sont endommagés. Ne pas essayer de réparer un flexible endommagé.

11. Branchez le raccord de boyau d'arrosage sur l'arrivée d'eau (raccord femelle) du nettoyeur haute pression, puis vissez votre boyau d'arrosage (extrémité mâle) sur le raccord pour boyau d'arrosage (Fig. 12). Le boyau d'arrosage doit avoir un diamètre intérieur minimal d'au moins 13 mm et doit être renforcé. Le débit de l'alimentation en eau doit être au moins égal au débit nominal du nettoyeur.

REMARQUE : la machine n'est pas adaptée pour être raccordée au réseau d'eau potable.



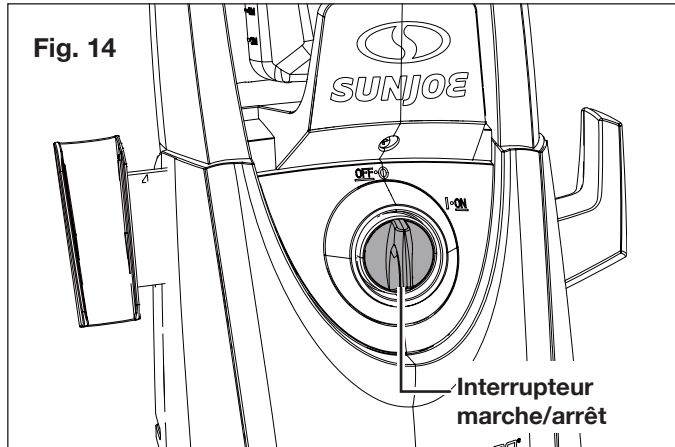
12. Branchez le boyau d'arrosage sur l'alimentation en eau (Fig. 13).



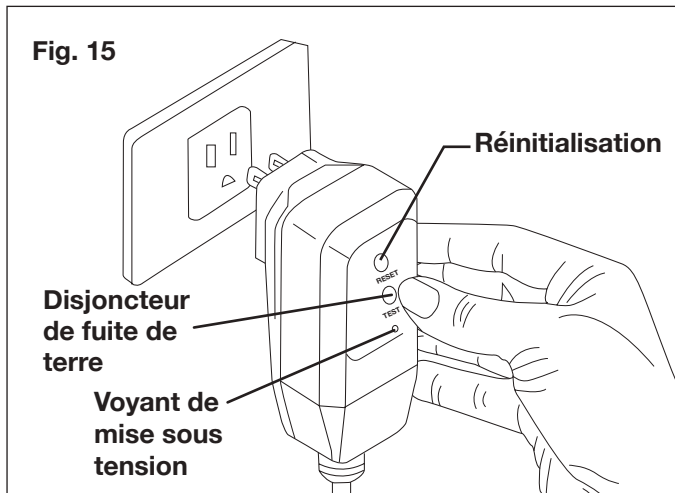
⚠ AVERTISSEMENT! La température de l'eau à l'entrée du nettoyeur ne doit pas être supérieure à 40 °C. Sa pression ne doit pas être supérieure à 0,7 MPa.

⚠ MISE EN GARDE! Le nettoyeur doit uniquement être utilisé avec de l'eau propre; l'utilisation d'eau non filtrée contenant des produits chimiques endommagera le nettoyeur.

13. Avant de brancher la machine dans la prise secteur, assurez-vous que l'interrupteur du moteur est à la position « OFF » (0) (Fig. 14).



14. Vérifiez que la tension et la fréquence (V/Hz) de l'alimentation électrique correspondent aux spécifications marquées sur la plaque signalétique du nettoyeur haute pression. Si l'alimentation électrique est appropriée, vous pouvez alors brancher le nettoyeur haute pression dans la prise secteur (Fig. 15).

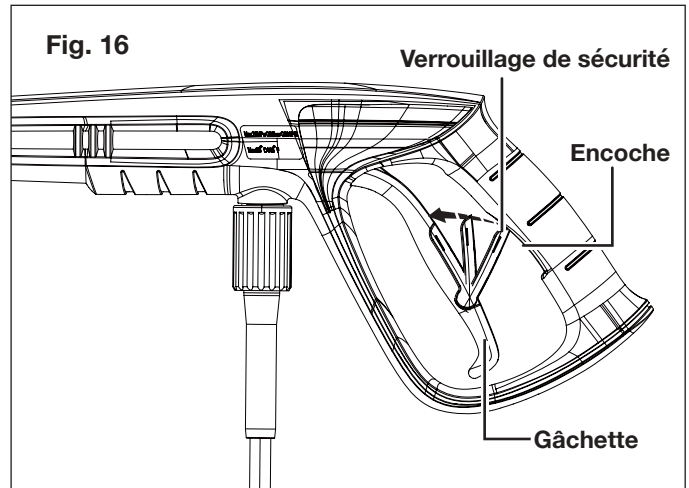


REMARQUE : il se peut que le disjoncteur de fuite de terre nécessite d'être d'abord branché dans la prise secteur. Appuyez sur le bouton « Reset » (Réinitialisation) jusqu'à ce que le voyant de mise sous tension sur le disjoncteur de fuite de terre s'allume.

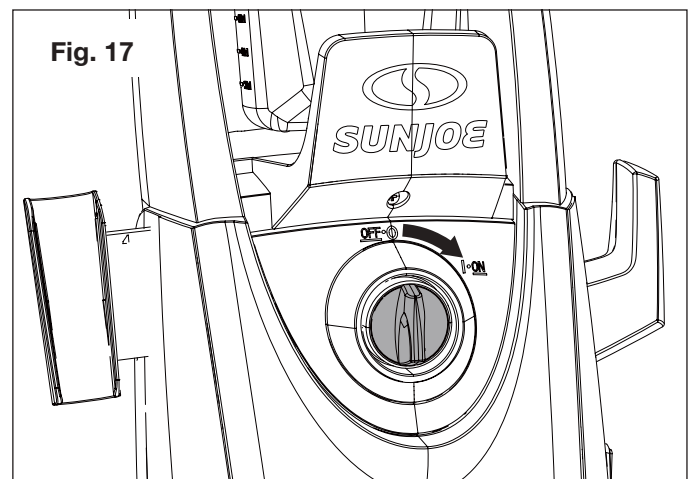
Utilisation

⚠ IMPORTANT! Ce nettoyeur haute pression est équipé d'un microcommutateur sensible au débit d'eau. Ce système de démarrage/arrêt instantané (TSS) capte le débit dans la pompe. Quand la gâchette est relâchée, l'eau arrête de s'écouler dans la pompe. Le TSS coupe alors automatiquement le moteur pour empêcher la pompe de surchauffer, économisant ainsi de l'énergie et prolongeant de fait la durée de vie de la pompe.

1. Ouvrez complètement le robinet d'alimentation en eau.
2. Assurez-vous que le verrouillage de sécurité est dans sa position d'origine, en bas (Fig. 16), puis appuyez sur la gâchette pendant quelques secondes jusqu'à ce que le débit soit régulier. Ceci permettra à l'air de s'échapper et de relâcher toute pression résiduelle dans le flexible.



3. Pour démarrer le nettoyeur haute pression, tournez l'interrupteur à la position « ON » (I) (Fig. 17).



Utilisation des buses

Avant d'entamer toute tâche de nettoyage, déterminez la buse la mieux adaptée à la tâche à effectuer. Chaque buse offre un angle de pulvérisation différent. Les angles de pulvérisation sont les suivants : 40° (pour un nettoyage en douceur), 25° (pour un nettoyage tout usage), 15° (pour un nettoyage intensif) et 0° (pour un nettoyage ponctuel ou pour les endroits difficiles à atteindre).

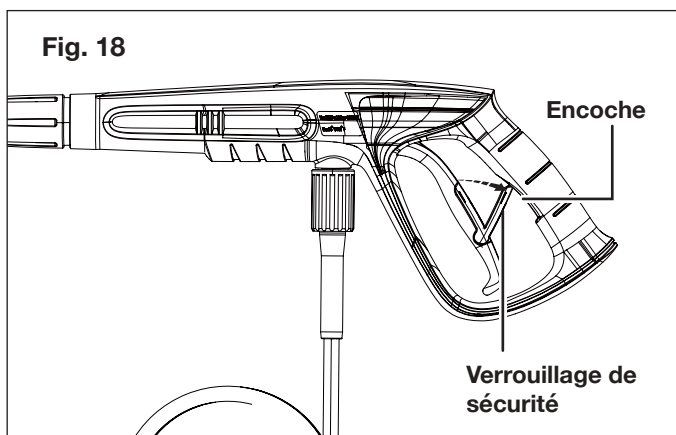
⚠ MISE EN GARDE! NE JAMAIS changer de buse sans avoir au préalable verrouillé le verrouillage de sécurité sur la poignée de la gâchette.

⚠ AVERTISSEMENT! Les jets à haute pression peuvent être dangereux s'ils ne sont pas utilisés à bon escient. Le jet ne doit pas être dirigé vers des personnes, des animaux familiers, du matériel électrique ou la machine elle-même.

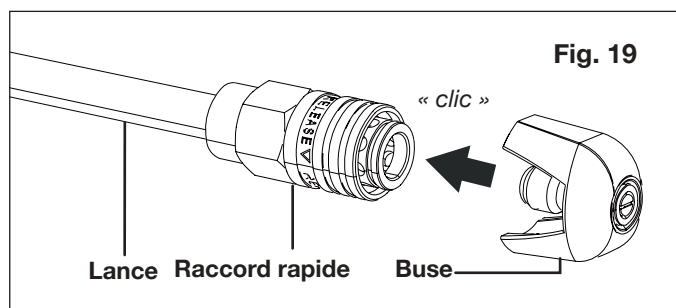
Le nettoyeur haute pression électrique est équipé de quatre (4) buses à branchement rapide qui s'enclenchent sur le raccord rapide de la lance.

Pour brancher une buse sur la lance :

1. Arrêtez le nettoyeur haute pression et coupez l'alimentation en eau. Appuyez sur la gâchette pour relâcher la pression d'eau.
2. Activez le verrouillage de sécurité sur la poignée de la gâchette en poussant le verrouillage de sécurité jusqu'à ce qu'il s'enclenche dans l'encoche (Fig. 18).



3. Enfoncez la buse choisie dans le raccord rapide jusqu'à ce qu'elle se mette en place en s'enclenchant (Fig. 19).



Pour débrancher la buse de la lance une fois que le nettoyage est achevé :

4. Arrêtez le nettoyeur haute pression et coupez l'alimentation en eau. Appuyez sur la gâchette pour relâcher la pression d'eau.
5. Activez le verrouillage de sécurité sur la poignée de la gâchette en poussant le verrouillage de sécurité jusqu'à ce qu'il s'enclenche dans l'encoche (Fig. 18).
6. Retirez la buse en plaçant votre main sur la buse tout en tirant vers l'arrière le raccord rapide.

⚠ AVERTISSEMENT! Ne pas changer de buse quand la gâchette est enfoncée. Le nettoyeur haute pression pourrait être endommagé et l'utilisateur pourrait se blesser.

Travaux de nettoyage avec détergents

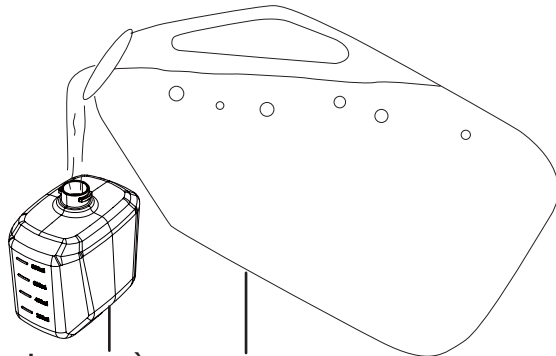
Quand on utilise le nettoyeur haute pression pour nettoyer, certaines tâches de nettoyage peuvent être résolues en utilisant uniquement de l'eau, mais pour la plupart des tâches, le nettoyage aux détergents permet de retirer plus efficacement la saleté.

Pour obtenir une puissance de nettoyage supérieure, la machine est équipée d'un canon à mousse.

⚠ AVERTISSEMENT! Utiliser uniquement des détergents spécifiquement conçus pour les nettoyeurs haute pression, par exemple la FORMULE CONCENTRÉE POUR LE LAVAGE DE TERRASSES DE MAISON Sun Joe® (SPX-HDC1G), la MOUSSE DE LAVAGE DE VOITURE Sun Joe® (SPX-FCS1G) ou le PRODUIT NETTOYANT DE TYPE INDUSTRIEL Sun Joe® (SPX-APC1G). NE PAS UTILISER de détergents à usage domestique, d'acides, de solutions alcalines, d'eau de Javel, de solvants, de matières inflammables ou de solutions de classe industrielle. Ces produits pourraient endommager le nettoyeur haute pression. De nombreux détergents peuvent nécessiter d'être mélangés avant utilisation. Préparer la solution de nettoyage comme indiqué sur le bidon de la solution.

1. Retirez le bidon à détergent à canon à mousse du porte-buses. Retirez le bouchon et le tube d'aspiration du bidon à détergent.
2. Remplissez le bidon du canon à mousse d'un détergent spécifiquement conçu pour utilisation avec les nettoyeurs haute pression (Fig. 20).

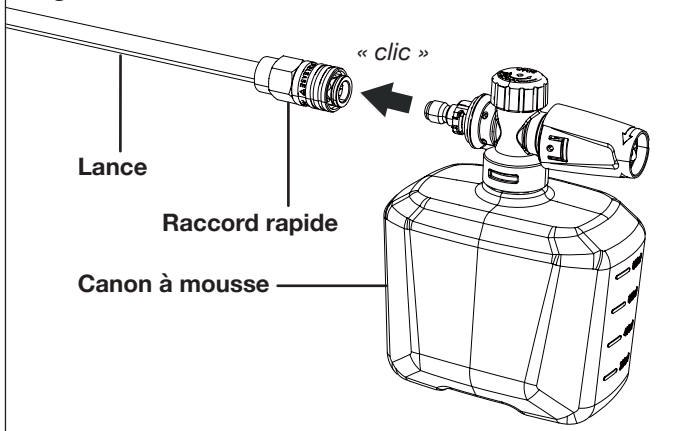
Fig. 20



Bidon de canon à mousse Détergent pour nettoyeur haute pression

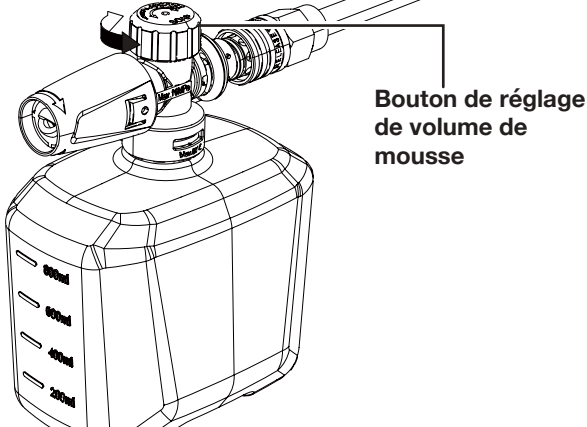
3. Rebouchez le canon à mousse et attachez-le à la lance en l'enfonçant dans le raccord rapide jusqu'à ce qu'il se mette en place en s'encliquetant (Fig. 21).

Fig. 21



4. Le canon à mousse est doté d'un bouton de réglage du volume de mousse. Pour utiliser le bouton de réglage du volume de mousse, suivez les instructions illustrées (Fig. 22).

Fig. 22



5. Pulvérisez le détergent du bas vers le haut de la surface sèche à nettoyer. En appliquant le détergent de cette manière, la saleté se dissoudra plus efficacement.

REMARQUE : il n'est pas recommandé de mouiller d'abord la surface à nettoyer, car ceci dilue le détergent et réduit son efficacité.

⚠ MISE EN GARDE! Avant utilisation, toujours faire un essai avec le détergent en le pulvérisant sur une zone peu visible.

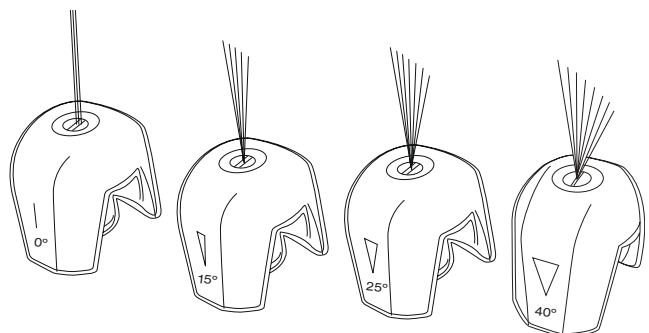
6. Avant de rincer à l'aide du nettoyeur haute pression, laissez le détergent agir brièvement sur la surface à nettoyer. Ne laissez pas le détergent sécher sur la surface à nettoyer.

⚠ MISE EN GARDE! Si le détergent sèche sur une surface à nettoyer qui est peinte, celle-ci peut être endommagée. Nettoyer et rincer à la fois une petite surface. Éviter de pulvériser sur les surfaces chaudes ou directement exposées aux rayons du soleil.

Rinçage à l'aide du nettoyeur haute pression

1. Arrêtez le nettoyeur haute pression et coupez l'alimentation en eau.
2. Appuyez sur la gâchette pour relâcher la pression d'eau.
3. Activez le verrouillage de sécurité sur la poignée de la gâchette en poussant le verrouillage de sécurité jusqu'à ce qu'il s'enclenche dans l'encoche (Fig. 18).
4. Tout en tirant sur le raccord rapide, retirez le canon à mousse en tenant le bidon.
5. Sélectionnez la buse convenant le mieux à la tâche (Fig. 23) :

Fig. 23



- i) La buse 0° (rouge) pour jet de forte pression est une buse extrêmement efficace qui permet d'obtenir un jet haute pression fin comme un crayon. Elle est utilisée pour déloger les dépôts rebelles dans une zone petite et concentrée. Elle est idéale pour venir à bout de substances coriaces, par exemple les tâches de

goudron ou de graisse sur le béton, ou pour retirer la boue séchée sur du matériel. Utilisez cette buse pour nettoyer les endroits difficiles d'accès, notamment les façades de bâtiments à deux étages ou le dessous des tondeuses à gazon et des tracteurs de pelouse.

REMARQUE : la sélection de la buse convenant le mieux à la tâche doit se faire avec discernement pour éviter de gouger le bois ou d'endommager des surfaces fragiles.

- ii) Utilisez la buse 15° à bec à fente (jaune) pour les travaux de nettoyage intense de surfaces dures. Parmi les applications figurent le décapage de peinture, l'élimination de taches d'huile, de graisse ou de moisissures épaisses, ainsi que les taches de rouille sur l'acier. Cette buse doit uniquement être utilisée sur des surfaces à nettoyer qui résistent à la forte pression exercée par cette buse.
 - iii) Utilisez la buse 25° à bec à fente (verte) pour nettoyer les parements de maisons, les patios de briques, les terrasses en bois, les voies d'accès ou les trottoirs. Quand vous utilisez cette buse, faites d'abord un essai sur une petite surface pour éviter de peut-être endommager la totalité de la surface.
 - iv) Utilisez la buse 40° de pulvérisation (grise) pour nettoyer par exemple des voitures, des camions, des bateaux, des meubles de jardin ou du matériel de pelouse.
6. Commencez par la partie supérieure de la surface à nettoyer et travaillez en descendant en vous assurant de faire chevaucher vos coups de jet.

⚠ IMPORTANT! NE JAMAIS UTILISER :

- De l'eau de Javel, des produits chlorés ou d'autres produits chimiques corrosifs
- Des liquides contenant des solvants (p. ex., des diluants, de l'essence, des huiles)
- Des produits au phosphate trisodique
- Des produits à base d'ammoniac
- Des produits à base d'acide

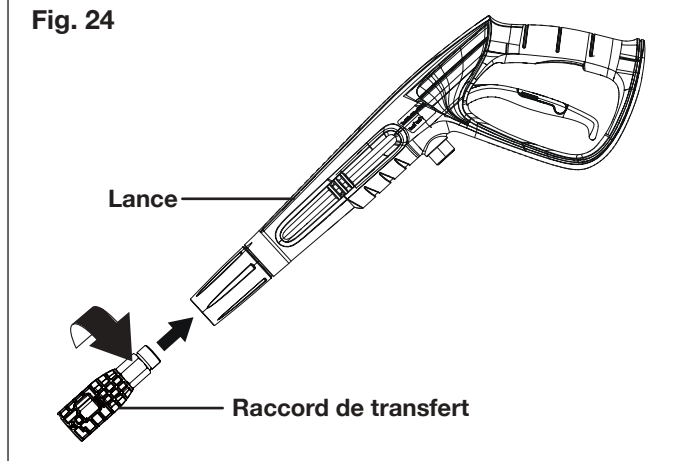
Ces produits chimiques endommageront la machine ainsi que la surface à nettoyer.

Utilisation des brosses accessoires

Ce nettoyeur haute pression est équipé de deux brosses accessoires, une brosse à usages multiples et une brosse à usage intensif pour roues et jantes. Pour raccorder la brosse accessoire au pistolet, suivez les instructions ci-dessous.

1. Débranchez la lance du pistolet en la tournant dans le sens antihoraire.
2. Branchez d'abord le raccord de transfert en l'insérant dans le pistolet et tournez-le dans le sens horaire, comme l'indique la Fig. 24.

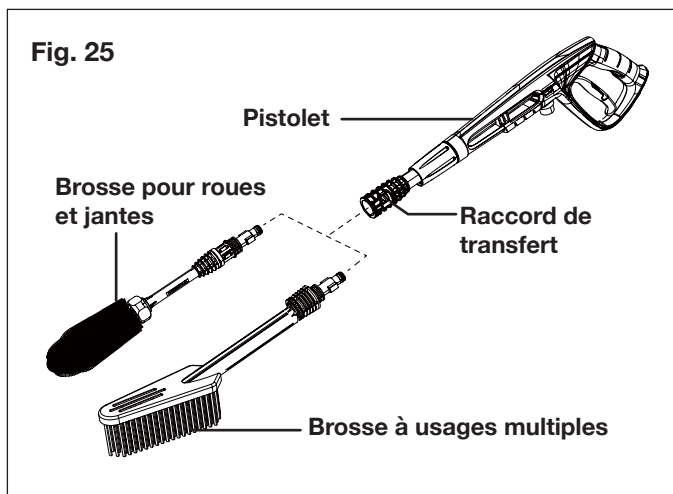
Fig. 24



3. Prenez la brosse accessoire voulue et alignez les deux ergots avec l'intérieur du raccord de transfert. Une fois l'alignement réalisé, poussez la brosse accessoire dans le pistolet et tournez-la dans le sens antihoraire afin qu'elle se mette en place et se verrouille (Fig. 25).

REMARQUE : les brosses accessoires ne peuvent pas s'attacher au pistolet sans le raccord de transfert.

Fig. 25



Arrêt complet de la machine

1. Tournez l'interrupteur à la position « OFF » (0) et débranchez le cordon d'alimentation de la prise.
2. Coupez l'alimentation en eau.
3. Appuyez sur la gâchette en la maintenant enfoncée pour relâcher la pression d'eau.
4. Débranchez le boyau d'arrosage de l'arrivée d'eau sur la machine.
5. Débrancher le raccord de flexible haute pression sur la poignée du pistolet.
6. Relâchez la gâchette et activez le verrouillage de sécurité du pistolet.

⚠ AVERTISSEMENT! Couper l'alimentation d'eau et appuyer sur la gâchette pour mettre hors pression la machine. Toute personne ne respectant pas cet avertissement pourrait se blesser suite au refoulement de l'eau à haute pression.

Prise d'une pause

Si vous prenez une pause de cinq minutes ou plus entre les tâches de nettoyage :

1. Activez le verrouillage de sécurité du pistolet (Fig. 18).
2. Tournez l'interrupteur à la position « OFF » (0).
3. Débranchez le cordon d'alimentation de la prise.

Remisage

⚠ MISE EN GARDE! Toujours remisage le nettoyeur haute pression dans un endroit où la température ne descendra pas en dessous de 0 °C. La pompe de cette machine est susceptible d'être irrémédiablement endommagée si elle gèle.

LES DOMMAGES DUS AU GEL NE SONT PAS COUVERTS PAR LA GARANTIE.

- Remisez le nettoyeur haute pression à l'intérieur dans un endroit couvert et sec où il ne sera pas soumis aux intempéries.
- Il est important de remisage cette machine dans un endroit où il ne gèle pas.
- Avant de remisage la machine, videz toujours l'eau de tous les tuyaux souples, de la pompe et du canon à mousse.

⚠ MISE EN GARDE! L'utilisation d'un protège-pompe est recommandée pour que le froid n'endommage pas la pompe pendant les mois d'hiver.

Hivérisation et remisage de longue durée

Si vous devez remisage votre nettoyeur haute pression dans un endroit où la température descend au-dessous de 0 °C, vous pouvez réduire au minimum le risque d'endommager votre machine en suivant cette procédure :

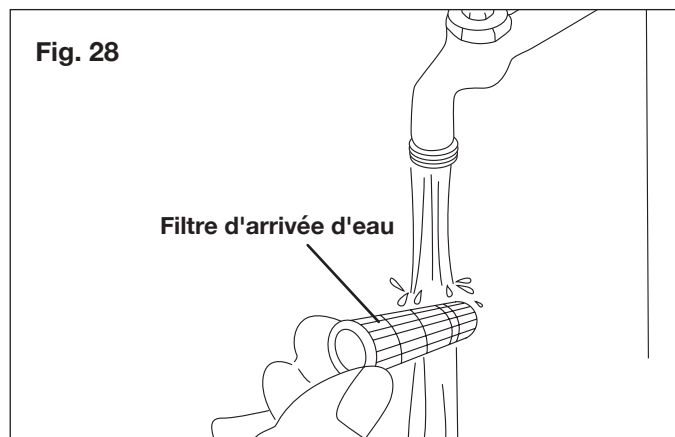
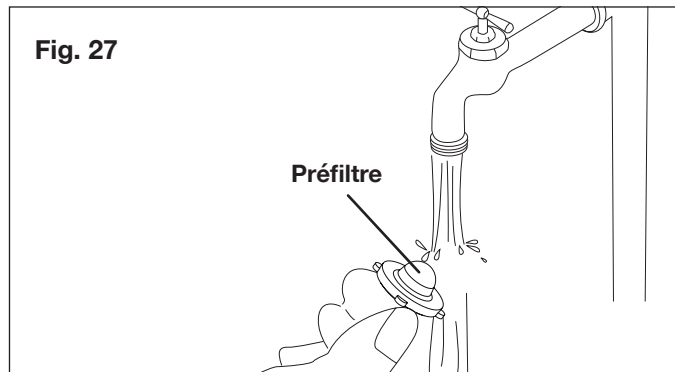
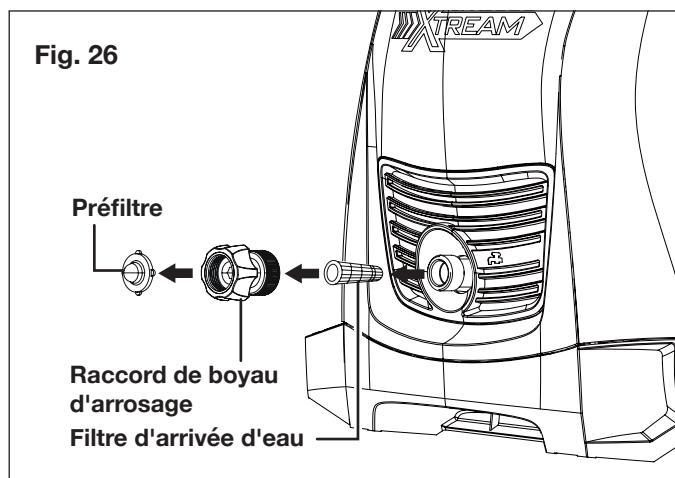
- Débrancher tous les raccords d'eau.
- Mettre en marche la machine pendant quelques secondes jusqu'à ce que l'eau restant dans la pompe soit purgée. Arrêter immédiatement la machine.
- Ne pas laisser le flexible haute pression se tordre.
- Remisage la machine et ses accessoires dans une pièce où il ne peut pas geler.
- Ne pas remisage près d'une chaudière ou d'autres sources de chaleur qui pourraient dessécher les joints de la pompe.
- Utiliser le nettoyeur haute pression avec un antigel non corrosif et non toxique, un économiseur de pompe ou un protège-pompe avant de le remisage pour l'hiver.

⚠ AVERTISSEMENT! Avant de réutiliser la machine, la rincer complètement en utilisant de l'eau claire. Les antigels peuvent endommager la peinture et il faut donc s'assurer qu'il n'y a pas d'antigel restant dans le système avant de le réutiliser.

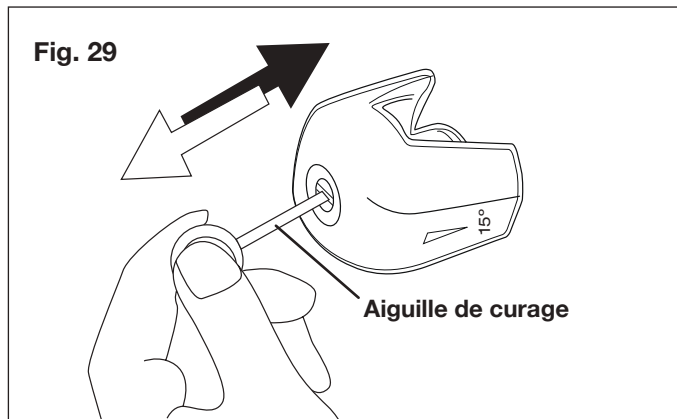
Entretien

⚠ MISE EN GARDE! Avant d'intervenir sur le nettoyeur haute pression, débrancher la fiche de la prise de courant.

1. Pour assurer un bon rendement, vérifiez et nettoyez le filtre d'arrivée d'eau (Fig. 26). Retirez le préfiltre et le filtre d'arrivée d'eau et rincez-les à l'eau chaude pour empêcher qu'un corps étranger vienne obstruer la pompe (Fig. 27 et 28).



- Nettoyez la buse à l'aide de l'aiguille de curetage fournie (Fig. 29). Retirez la lance du pistolet; retirez toute la saleté de l'orifice de la buse et rincez.



- Retirez les débris résiduels en siphonnant l'eau à travers la buse et la lance. Pour ce faire, placez l'extrémité de votre boyau d'arrosage (l'eau coulant) sur la pointe de la buse en poussant l'eau et les débris pour les faire sortir de la buse et de la lance.

Élimination

Recyclage du nettoyeur

- Ne jetez pas les appareils électriques en tant que déchets ménagers. Utilisez les services d'enlèvement spéciaux des ordures ménagères.
- Communiquez avec l'organisme public local pour obtenir des informations sur les systèmes d'enlèvement disponibles.
- Si les appareils électriques sont éliminés dans des décharges ou des dépôts d'ordures, des substances dangereuses peuvent s'infiltrer dans les eaux souterraines et polluer la chaîne alimentaire en nuisant à votre santé et votre bien-être.
- Lors du remplacement d'appareils anciens par des appareils neufs, le détaillant est légalement obligé de reprendre au moins gratuitement votre ancien appareil pour l'éliminer.

Service après-vente et assistance technique

Si votre nettoyeur haute pression électrique Sun Joe® SPX3000-XT1 nécessite une réparation ou un entretien, veuillez appeler le service clientèle Snow Joe® + Sun Joe® au 1-866-SNOWJOE (1-866-766-9563).

Numéros de modèle et de série

Lorsque vous communiquez avec l'entreprise pour commander des pièces ou prendre rendez-vous pour une intervention technique chez un revendeur agréé, vous devez fournir les numéros de modèle et de série qui se trouvent sur l'étiquette autocollante apposée sur le carter de la machine. Copiez ces numéros dans l'espace réservé ci-dessous.

Veuillez noter les numéros suivants sur le carter ou la poignée de votre nouvel outil :

N° de modèle :

S | P | X | 3 | 0 | 0 | 0 | - | X | T | 1 |

N° de série :

| | | | | | | | | | | | | | | | | | | | | | |


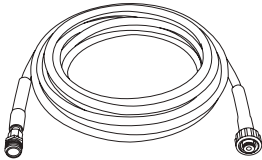


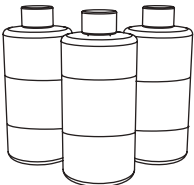
Dépannage

- Débranchez la machine de la source d'alimentation électrique avant d'effectuer un entretien dessus ou quand vous voulez vérifier que ses pièces sont en bon ordre de marche.
- Avant d'utiliser votre machine, vous devez raccorder le tuyau flexible et ouvrir l'arrivée d'eau. Si vous ne suivez pas ces instructions, le moteur de la pompe sera endommagé et la garantie sera annulée.
- Système de démarrage instantané (TSS) – Le moteur s'arrête et reste en mode arrêt quand la machine n'est pas utilisée ou dès que l'eau de la machine est sous pression. CECI EST NORMAL. Pressez simplement la gâchette pour déclencher le redémarrage du moteur de la pompe.
- Pour éviter des ennuis inutiles, pour tous les problèmes mécaniques, consultez le tableau suivant avant de communiquer avec le service clientèle.

Problèmes	Cause possible	Solution possible
La machine refuse de démarrer	<ul style="list-style-type: none"> • Panne de courant/machine non branchée sur une prise en bon état. • Prise défectueuse. • Un fusible a sauté. • Rallonge défectueuse. 	<ul style="list-style-type: none"> • Vérifier que la machine est branchée sur une prise de courant en bon état. • Vérifier le cordon d'alimentation et réinitialiser le DDFT. Essayer une prise de courant différente. • Remplacer le fusible. Arrêter toutes les autres machines utilisant le même circuit. • Essayer la machine sans rallonge électrique.
Pression fluctuante	<ul style="list-style-type: none"> • La pompe aspire de l'air. • Soupapes sales, usées ou coincées. • Joints d'étanchéité de la pompe usés 	<ul style="list-style-type: none"> • Vérifier que les tuyaux flexibles et les raccords sont étanches à l'air. • Nettoyer ou remplacer les soupapes/joints • Appeler le service clientèle Snow Joe® + Sun Joe® au 1-866-SNOWJOE (1-866-766-9563).
La machine s'arrête	<ul style="list-style-type: none"> • Un fusible a sauté. • Tension de secteur non appropriée. • Capteur thermique activé. • Buse partiellement bloquée. 	<ul style="list-style-type: none"> • Remplacer le fusible. Arrêter les autres machines utilisant le même circuit. • Vérifier que la tension de secteur correspond aux spécifications sur l'étiquette du modèle. • Laisser le nettoyeur se refroidir pendant 5 minutes. • Nettoyer la buse.
Le fusible a sauté	<ul style="list-style-type: none"> • Fusible trop faible. 	<ul style="list-style-type: none"> • Poser un fusible ayant une intensité nominale plus élevée que celle de la machine. Essayer la machine sans rallonge électrique.
L'écoulement dans la machine est pulsatoire	<ul style="list-style-type: none"> • Air dans le tuyau d'arrivée. • Alimentation en eau du réseau insuffisante. • Buse partiellement bloquée. • Filtre à eau bloqué. • Flexible tordu. 	<ul style="list-style-type: none"> • Faire tourner la machine en maintenant la gâchette enfoncée jusqu'à ce que la pression de service régulière se rétablisse. • Vérifier que l'alimentation en eau correspond aux spécifications de la machine. • AVERTISSEMENT! Éviter d'utiliser des flexibles longs et minces (diamètre minimal 1,27 cm). • Nettoyer la buse. • Nettoyer le filtre d'arrivée d'eau. • Étirer le flexible pour qu'il ne soit ni tordu ni obstrué.
La machine souvent s'arrête et démarre d'elle-même	<ul style="list-style-type: none"> • La pompe ou le pistolet de pulvérisation fuit. • Le mécanisme de la gâchette est cassé. 	<ul style="list-style-type: none"> • Appeler le service clientèle Snow Joe® + Sun Joe® au 1-866-SNOWJOE (1-866-766-9563) pour de l'aide.
La machine démarre, mais aucune eau n'en sort	<ul style="list-style-type: none"> • Pompe, flexibles ou accessoires gelés. • Pas d'alimentation en eau. • Filtre d'arrivée d'eau bloqué. • Buse bloquée. 	<ul style="list-style-type: none"> • Patienter jusqu'à ce que la pompe, les flexibles ou les accessoires dégèlent. • Brancher l'arrivée d'eau. • Nettoyer le filtre d'arrivée d'eau. • Nettoyer la buse.

Accessoires en option

⚠️ AVERTISSEMENT! TOUJOURS utiliser des pièces de rechange et des accessoires Snow Joe® + Sun Joe® homologués. NE JAMAIS utiliser des pièces ou des accessoires qui ne sont pas destinés à être utilisés avec ce nettoyeur haute pression électrique. Communiquez avec Snow Joe® + Sun Joe® si vous n'êtes pas sûr que l'utilisation d'une pièce de rechange ou d'un accessoire particulier avec votre nettoyeur haute pression soit sans danger. L'utilisation de tout autre accessoire ou pièce détachée peut être dangereuse et pourrait provoquer des dommages corporels ou mécaniques.

Accessoires	Description	Modèle
<p>①</p> 	Jeu de buses (Compatible avec la plupart des nettoyeurs haute pression de la Série SPX)	SPX3000-TPS
<p>②</p> 	Rallonge flexible haute pression à usage modéré de 7,6 m (pour nettoyeurs haute pression de la série SPX)	SPX-25H
<p>③</p> 	Laiton massif universel coupleur à connexion rapide (du boyau d'arrosage au raccord du nettoyeur haute pression)	SPX-UQC
<p>④</p> 	<p>Produit nettoyant concentré tout usage pour terrasses et extérieurs Sun Joe® spécialement conçu pour les nettoyeurs haute pression</p> <p>Mousse de lavage de voiture haut de gamme Sun Joe® spécialement conçue pour les nettoyeurs haute pression</p> <p>Produit nettoyant et dégraissant de type industriel et tout usage Sun Joe® spécialement conçu pour les nettoyeurs haute pression</p>	<p>SPX-HDC1G</p> <p>SPX-FCS1G</p> <p>SPX-APC1G</p>
<p>⑤</p> 	Lot de 3 bidons de formule concentrée pour nettoyeurs haute pression	SPX-ASST3Q

La gamme complète d'accessoires haut de gamme de Sun Joe pour nettoyeurs haute pression a été créée pour vous débarrasser plus facilement des saletés les plus rebelles en tirant le meilleur parti du modèle de votre nettoyeur haute pression!

MAGASINEZ EN LIGNE dès maintenant sur le site sunjoe.com.

REMARQUE : les accessoires sont sous réserve de changements sans que Snow Joe® + Sun Joe® soit pour autant tenue de donner un préavis desdits changements. Les accessoires peuvent être commandés en ligne sur le site sunjoe.com ou par téléphone en appelant le service clientèle Snow Joe® + Sun Joe® au 1-866-SNOWJOE (1-866-766-9563).



LA PROMESSE DE SNOW JOE® + SUN JOE® À SES CLIENTS

Vous êtes notre client et Snow Joe, LLC (« Snow Joe ») **SE MET EN QUATRE** pour vous servir. Nous nous efforçons de vous rendre l'utilisation de nos produits aussi plaisante que possible. Malheureusement, il peut arriver qu'un produit Snow Joe®, Sun Joe® ou Aqua Joe (« Produit ») ne fonctionne pas ou se casse dans des conditions d'utilisation normales. Nous pensons qu'il est important que vous sachiez ce que vous pouvez attendre de nous. C'est pourquoi nous avons une garantie limitée (« Garantie ») pour nos Produits.

NOTRE GARANTIE :

Snow Joe déclare et garantit que les Produits neufs, d'origine, électriques ou non électriques sont exempts de vices de matière ou de fabrication et, lorsqu'ils font l'objet d'une utilisation résidentielle et ménagère ordinaire, les garantit pendant une période de deux ans à compter de la date d'achat au détail par l'acheteur primitif auprès de Snow Joe ou d'un des revendeurs agréés de Snow Joe, preuve d'achat à l'appui. Étant donné que Snow Joe ne peut pas contrôler la qualité de ses Produits vendus par des revendeurs non agréés, sauf stipulation contraire de la loi, la présente Garantie ne couvre pas les Produits achetés auprès de vendeurs non agréés. Si votre Produit ne fonctionne pas ou si une pièce spécifique couverte par les modalités de la présente Garantie fait l'objet d'un problème quelconque, Snow Joe choisira (1) de vous envoyer une pièce de rechange gratuite, (2) de remplacer le Produit par un produit neuf ou comparable, gratuitement, ou (3) de réparer le Produit. Génial, n'est-ce pas?

La présente Garantie vous donne des droits judiciaires spécifiques, et vous pouvez également avoir d'autres droits qui peuvent varier d'une province ou d'un territoire à l'autre.

ENREGISTREMENT DU PRODUIT :

Snow Joe vous recommande vivement d'enregistrer votre Produit. Vous pouvez l'enregistrer en ligne sur le site snowjoe.com/register, ou en imprimant et en envoyant par courrier une carte d'enregistrement offerte en ligne sur notre site Web, ou par téléphone en appelant notre Service à la clientèle au **1-866-SNOWJOE (1-866-766-9563)**, ou encore en nous envoyant un courriel à l'adresse help@snowjoe.com. Le fait de ne pas enregistrer l'achat de votre Produit n'a aucune conséquence sur vos droits concernant la garantie. Toutefois, l'enregistrement de votre Produit permettra à Snow Joe de mieux répondre au moindre besoin que vous pourriez avoir en matière de service à la clientèle.

QUI PEUT REVENDIQUER LA COUVERTURE DE LA GARANTIE?

La présente Garantie est étendue par Snow Joe à l'acheteur et propriétaire primitif du Produit.

QU'EST-CE QUI N'EST PAS COUVERT?

La présente Garantie ne s'applique pas si le Produit a été utilisé commercialement, pour des travaux non résidentiels ou s'il fait l'objet d'une location. La présente Garantie ne s'applique pas non plus si le Produit a été acheté auprès d'un revendeur non agréé. La présente garantie ne couvre pas non plus les changements cosmétiques qui n'affectent pas le rendement. Les pièces d'usure comme les courroies, les tarières, les chaînes et les dents ne sont pas couvertes au titre de la présente Garantie et peuvent être achetées en ligne sur le site snowjoe.com ou en appelant le **1-866-SNOWJOE (1-866-766-9563)**.



sunjoe.com