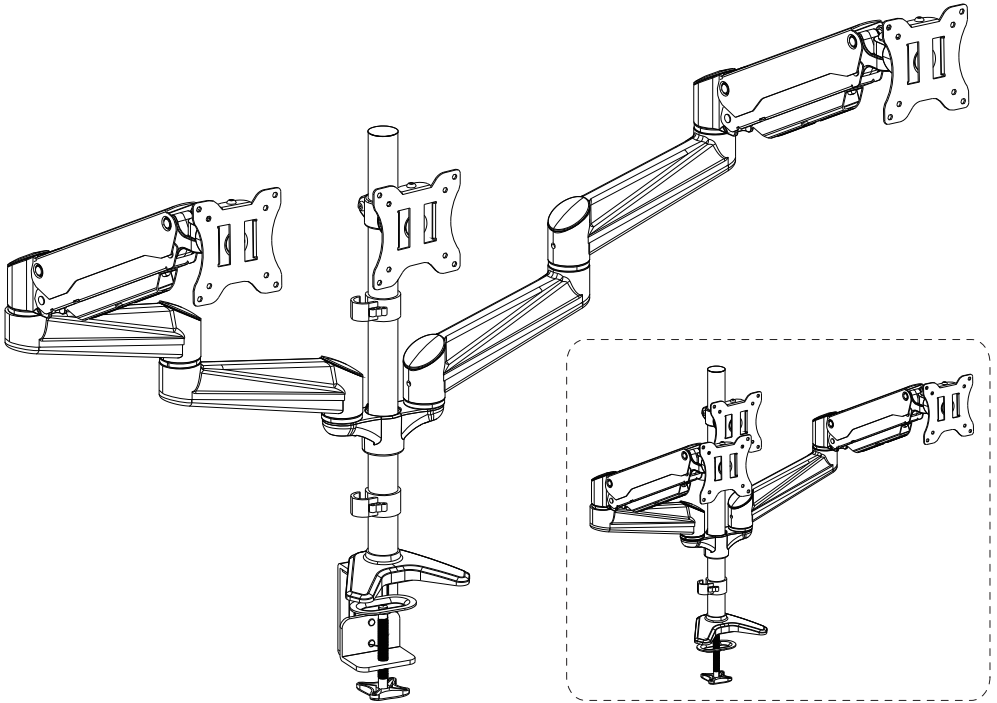


# INSTRUCTION MANUAL

Rev01(A)

# HUANUO

HNTS3S/HNTS3B/HNTS3W



## Desk Monitor Arm



(US/CA) 1-800-556-0533  
(UK) 44-808-196-3874



support@huanuoav.com



www.huanuoav.com

## IMPORTANT SAFETY INFORMATION

• Please carefully read all instructions before attempting installation. If you do not understand the instructions or have any questions or concerns, please contact our Technical Support at 1-800-556-0533 (US/CA) / 44-808-196-3874 (UK) or Customer Service at support@huanuoav.com.

**⚠ CAUTION:** Avoid potential injuries and property damage!

• Do not use this product for any purpose that is not explicitly specified in this manual. Do not exceed weight capacity. We are not liable for damage or injury caused by improper mounting, incorrect assembly or inappropriate use.

• This product contains gas spring arms which are under high pressure. Do not puncture these arms or expose the arms to fire or flame. If product is defective, please contact our Technical Support at 1-800-556-0533 (US/CA) / 44-808-196-3874 (UK) or Customer Service at support@huanuoav.com.

• Do not use this product on desks made of particle board or other soft woods.

• The information contained in this manual does not cover all possible conditions or variables in relation to the installation of this product.

## Weight Restrictions



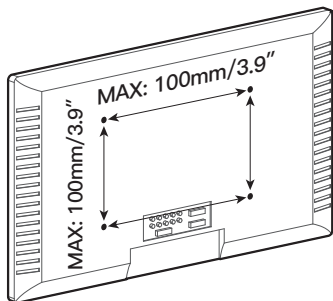
If your monitor weighs more than the weight above, the mount is NOT compatible. Monitor should not exceed weight capacity.

### ⚠ WARNING

DO NOT exceed the maximum weight indicated. This mounting system is intended for use only within the weight range listed. Exceeding the maximum weight limit may result in failure of the mount, causing potential damage and/or injury.

It is the responsibility of the installer to verify the total weight of the monitor and any accessories attached.

## Check the VESA Pattern of Your Monitor Before Installation



### Measure Your Monitor's VESA Pattern:

**Minimum:** 75mm x 75mm / 3" x 3" (W x H)

**Maximum:** 100mm x 100mm / 3.9" x 3.9" (W x H)

If your monitor's VESA pattern is smaller than 75mm x 75mm / 3" x 3" or greater than 100mm x 100mm / 3.9" x 3.9", this mount is NOT COMPATIBLE. Please contact our Technical Support at 1-800-556-0533 (US/CA) / 44-808-196-3874 (UK) or Customer Service at support@huanuoav.com to find a compatible product.



# TENSION ADJUSTMENT SHOULD ONLY BE PERFORMED AFTER MONITOR INSTALLATION



**DO NOT** adjust tension without monitor attached.

1. Verify the weight of your monitor (including accessories) is less than 18 lbs (8 kg).
2. Monitor weight can be found in manual or on manufacturer's website.
3. Ensure monitor has been securely attached to the mount.

---

## **⚠️WARNING:**

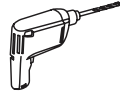
- Gas Spring Arm is under pressure and should be handled with care.
- Failure to follow the instructions may result in damage to the mount and/or personal injury.



## Tools Needed (Not Included)



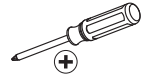
Tape Measure



Drill (Optional)



7/16–7/8" (11–22mm)  
Drill Bit (Optional)



Phillips Screwdriver

## Supplied Parts and Hardware

**⚠ WARNING:** This product contains small parts that may pose a choking hazard.

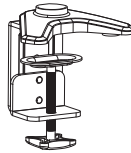
Before starting assembly, verify all parts are included and undamaged. Do not use damaged or defective parts. If you require replacement parts, please contact our Technical Support at 1–800–556–0533 (US/CA) / 44–808–196–3874 (UK) or Customer Service at support@huanuoav.com.

• NOTE: Not all hardware included in this package will be used.

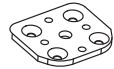
## Supplied Parts and Hardware for Step 1



Pole  
Q x 1



Base  
R x 1



Base Plate  
K x 1



1/8" (3mm)  
Small Allen Key  
H x 1



5/32" (4mm)  
Medium Allen Key  
I x 1



3/16" (5mm)  
Large Allen Key  
J x 1

## Supplied Parts and Hardware for Step 2



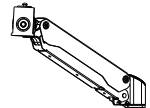
Monitor Connector  
T x 1



Arm Support  
V x 1



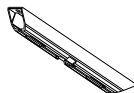
Extension Arm  
W x 4



Compression Arm  
U x 2



Decorative Cover  
G x 6



Cable Management Cover  
X x 2



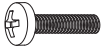
Bolt  
M5 x 6mm  
E x 6



Set Screw (Spare)  
M6 x 6mm  
N x 2

NOTE: The set screws [N] are spare screws which can be used if the preassembled set screws on the arms [W] and compression arms [U] are missing.

## Supplied Parts and Hardware for Step 3



Bolt  
M4 x 12mm  
A x 13



Bolt  
M4 x 30mm  
B x 13



Washer  
10 x 4.3 x 1mm  
C x 12



Spacer  
10 x 5.2 x 13mm  
D x 12



Monitor Plate  
S x 3

## Hardware for Step 4



Bolt  
M6 x 8mm  
L x 3

## Hardware for Step 9



Cable Clip  
F x 2

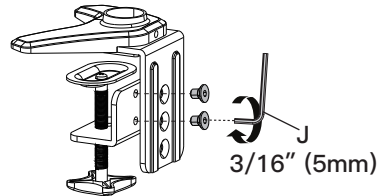
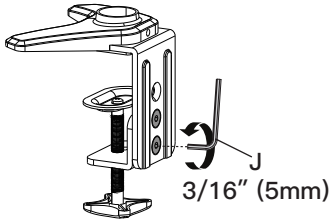
## Step 1 Install the Base

### Option A: For Clamp Mounting

Measure the thickness of the desk.

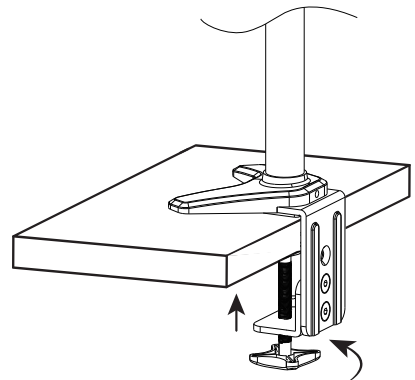
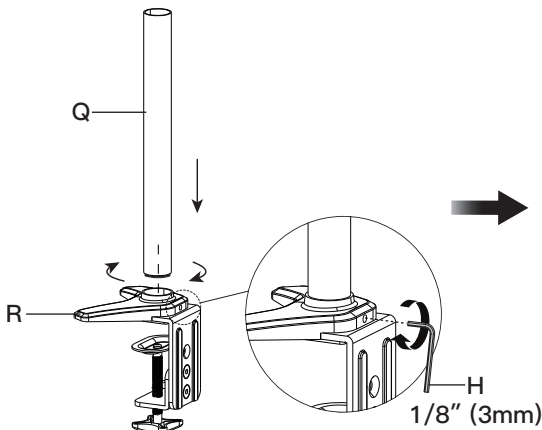
If the desk thickness is 0.98 – 3.15" (25 – 80mm), skip this step and go to STEP A-1 and A-2.

If the desk thickness is 0.39 – 2.56" (10 – 65mm), reinstall the C-Clamp as shown below.



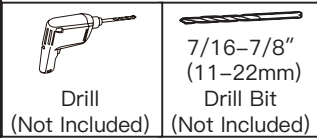
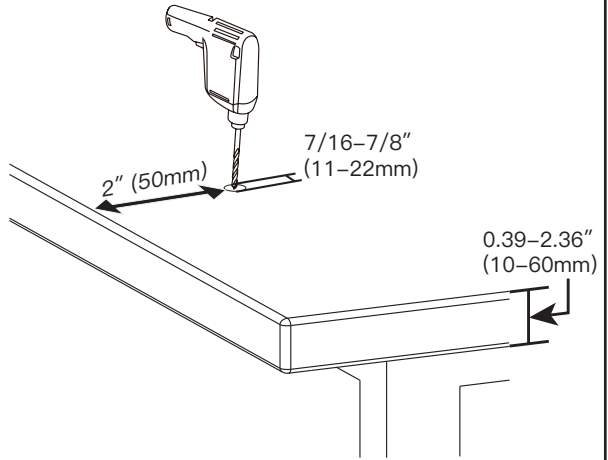
A-1 Thread the pole [Q] into the C-Clamp brace [R].

A-2 Tighten the knob against the desk to mount the C-Clamp.

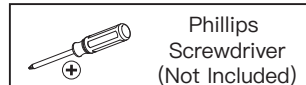
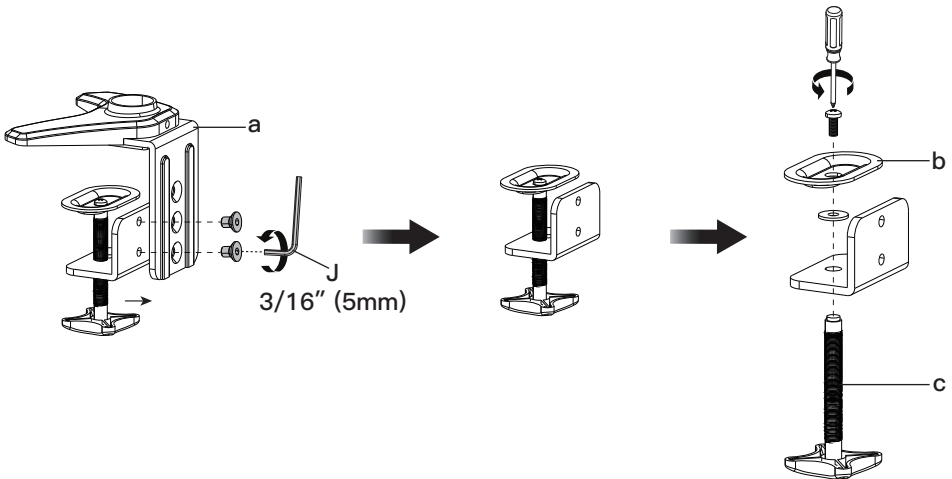


## Option B: For Grommet Mounting

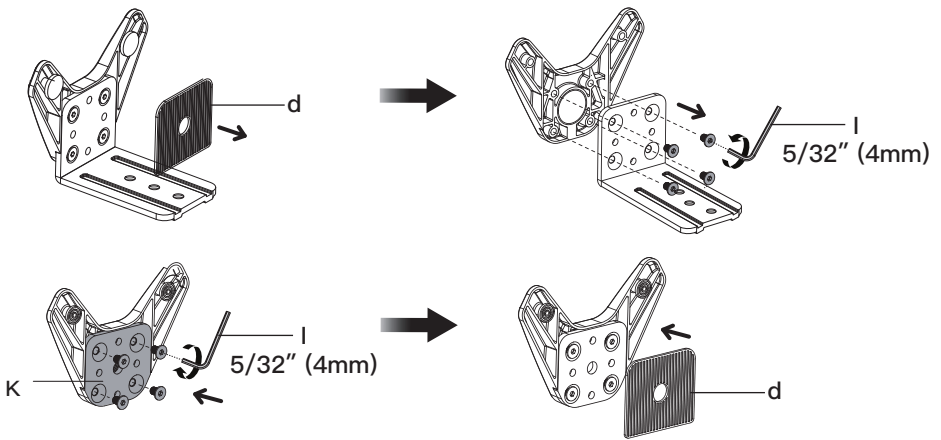
NOTE: If a hole is needed for grommet installation, be sure to leave at least 2" (50mm) from the edge of desktop and mark where the hole will be drilled. Use either a 7/16-7/8" (11-22mm) drill bit for this step.



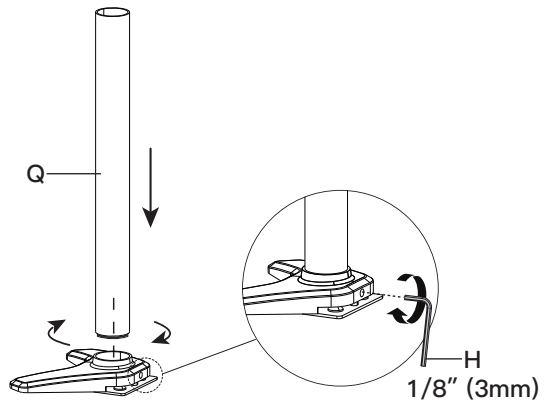
B-1 Detach the base [R] entirely. Keep the C-Clamp brace [a], locking plate [b] and grommet bolt [c] for the use on PAGE 08.



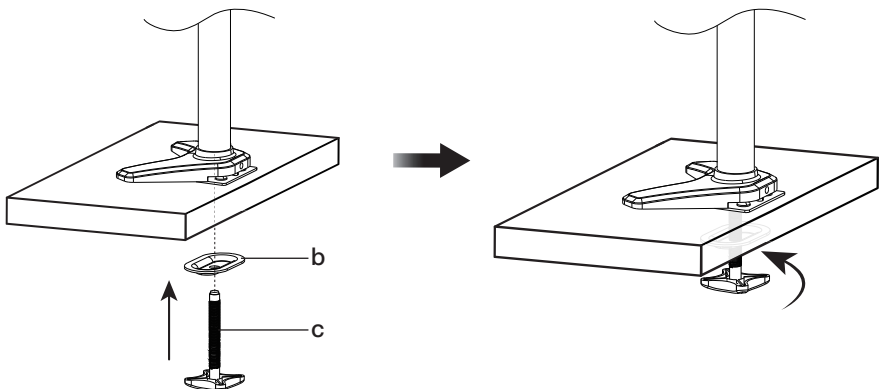
B-2 Attach the base plate [K] to the bottom of base.



B-3 Thread the pole [Q] into the base.

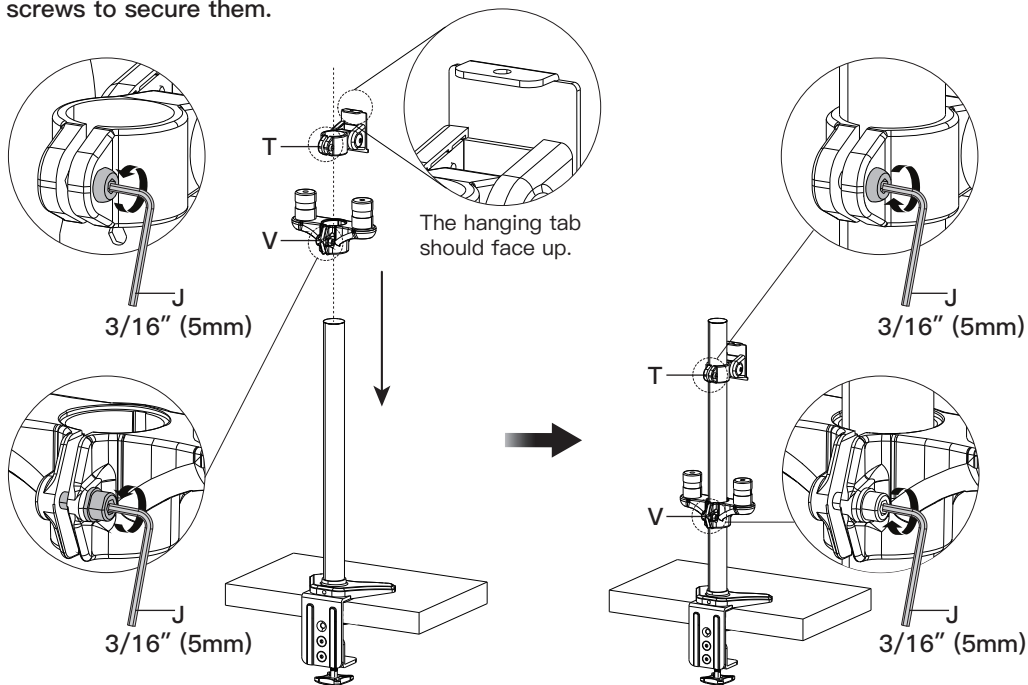


B-4 Secure the pole assembly to the desktop by screwing grommet bolt [c] through the desk and locking plate [b] and into the base.

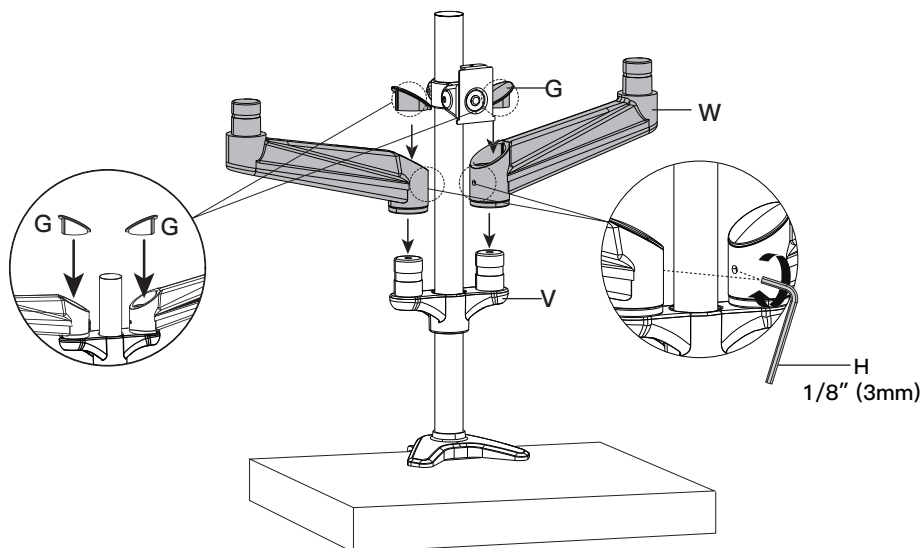


## Step 2 Secure the Arm Assembly to the Pole Assembly

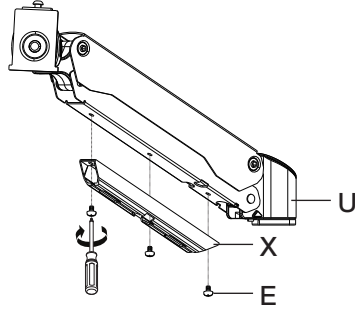
2-1 Slightly loosen the set screw of arm support [V] and monitor connector [T]. Slide them in sequence onto the pole at your desired height as shown. Reighten the set screws to secure them.



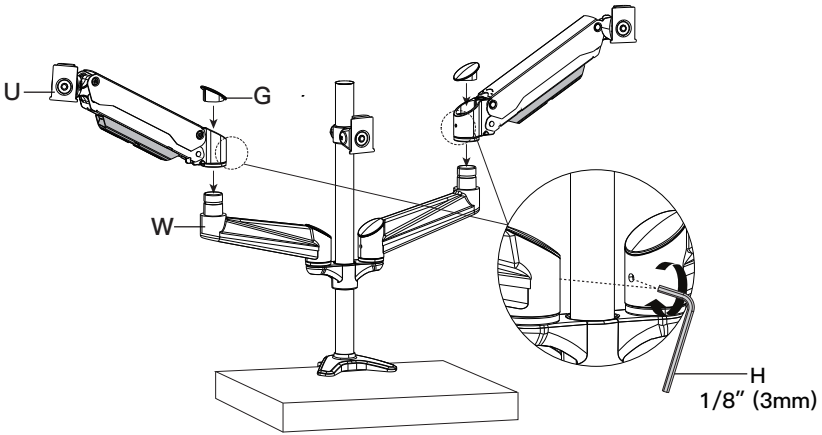
2-2 Attach the two extension arms [W] onto the arm support [V].



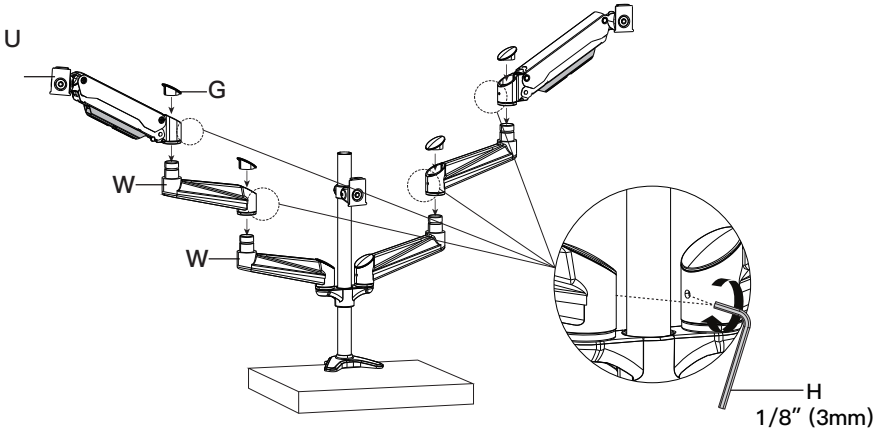
2-3 Attach the cable management covers [X] to the compression arms [U].



2-4A If the monitors are 24" or smaller, attach the compression arms [U] to the extension arms [W].

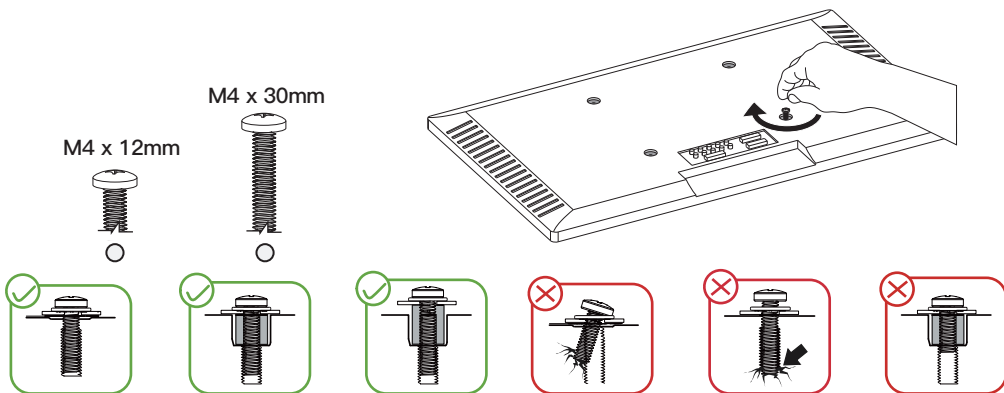


2-4B If the monitors are larger than 24", attach the other pair of extension arms [W] between compression arms [U] and extension arms [W].



# Step 3 Attach the Monitor Plates to the Monitors

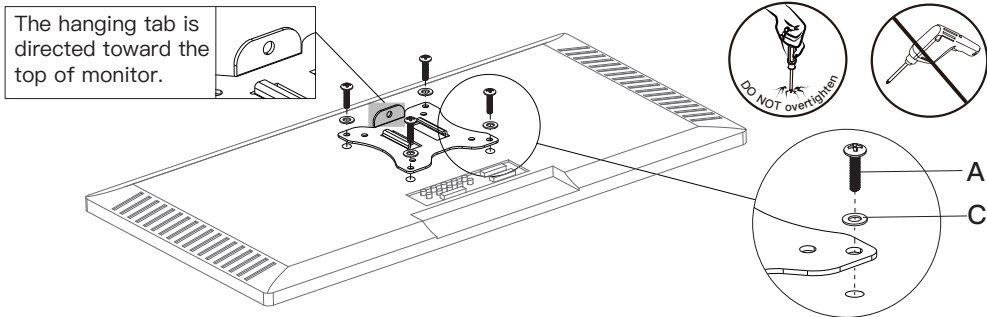
## 3-1 Select Monitor Bolts



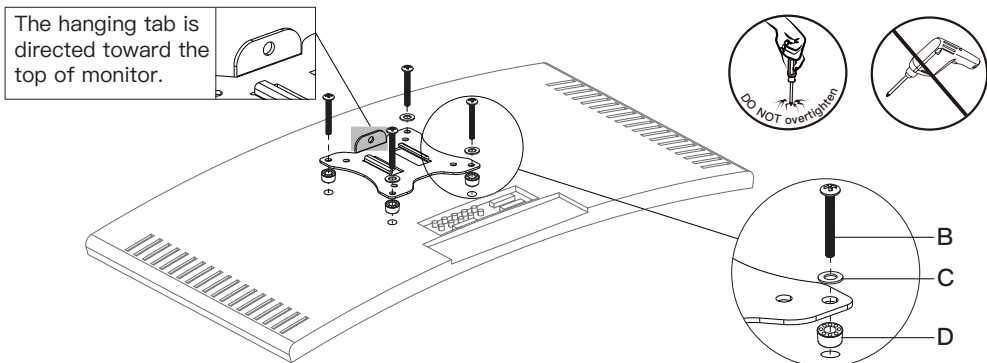
Hand thread bolts into the threaded inserts on the back of your monitor to determine which bolt (M4 x 12mm or M4 x 30mm ) to use. A minimum of 4-5 turns into the threading is required. Do not turn past the bottom of the hole.

## 3-2 Attach the Monitor Plates to Your Monitors

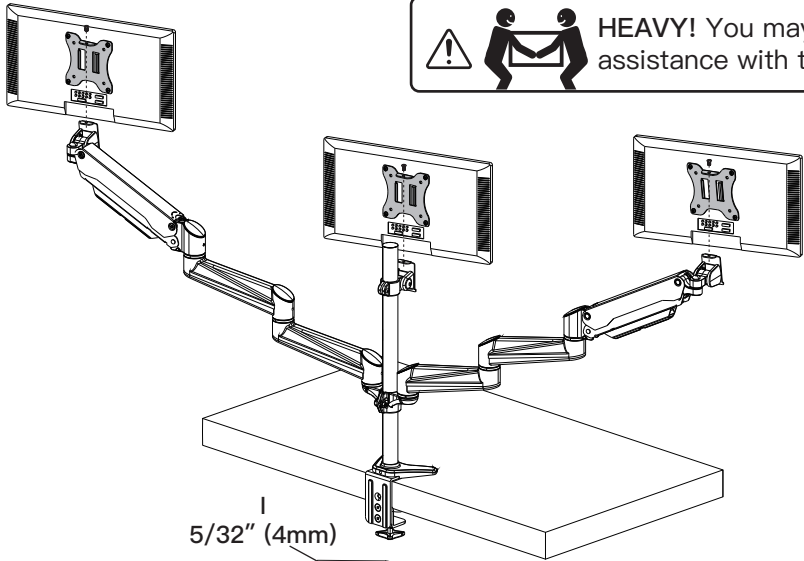
### Option A: For Flat Back Monitor



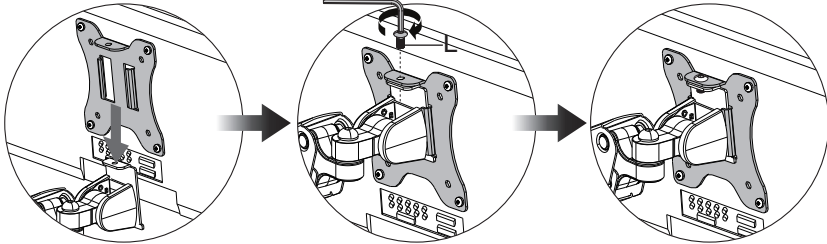
### Option B: For Curved Monitor



## Step 4 Attach the Monitors to the Mount



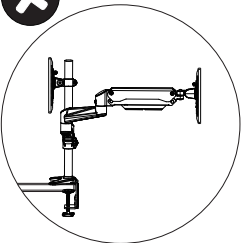
**HEAVY!** You may need assistance with this step.



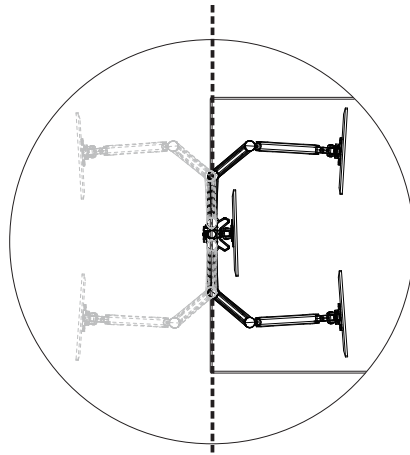
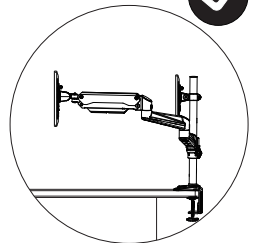
## Step 5 Rotation Restriction

To ensure proper stability, do not position monitor behind base. Monitor and arms should remain over the desktop. Failure to do so may cause instability, resulting in property damage or injury.

Incorrect orientation

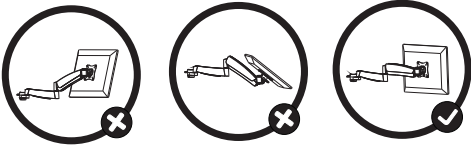
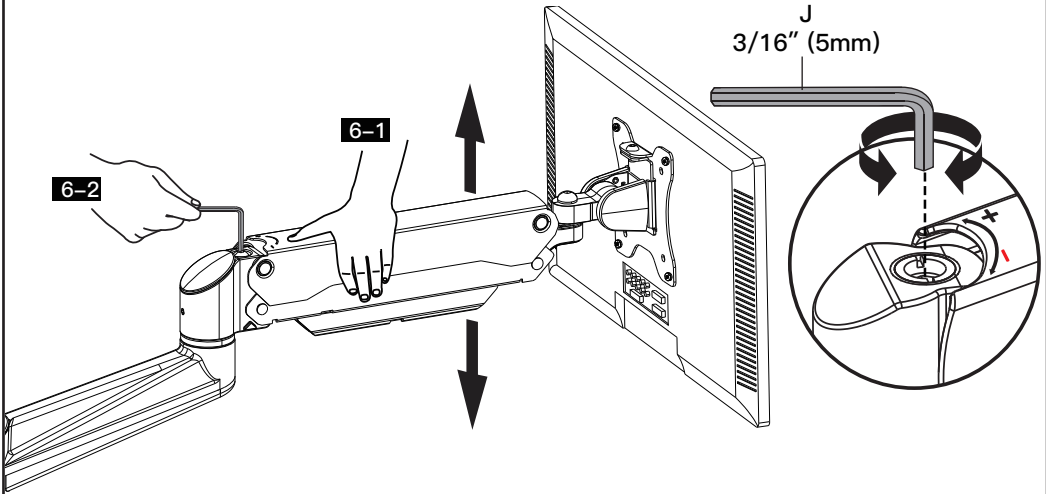


Correct orientation



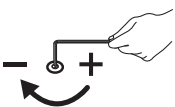
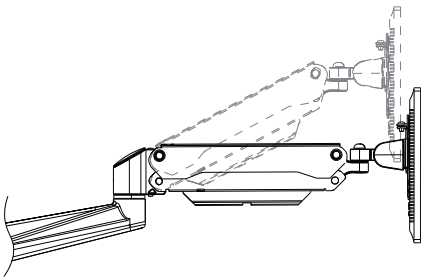
## Step 6 Adjust the Gas Spring Tension

**6-1** Carefully press down on the compression arm so that it is level with the desk. (This may require more force than you think. Ask for help if needed). In this position, you can access the adjustment screw to increase or decrease the tension to balance the arm.

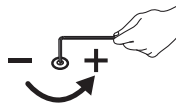
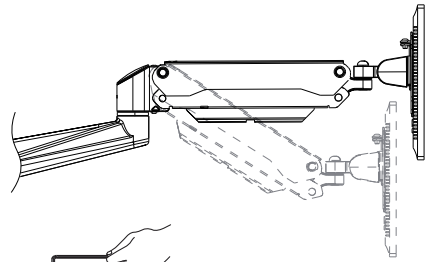


**CAUTION:** To avoid damage to monitor or mount, always keep the arm in a horizontal position while making adjustments. Again, ask for assistance if needed.

**6-2** To properly balance the arm with monitor mounted, adjust the spring tension using the supplied Allen Key as follows:



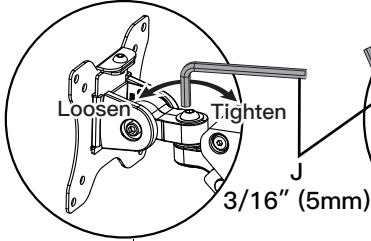
If the arm rises, turn the adjustment screw clockwise until it stays in a horizontal position.



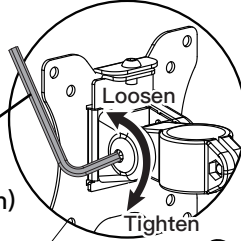
If the arm drops, turn the adjustment screw counter-clockwise until it stays in a horizontal position.

## Step 7 Tilt and Swivel Adjustment

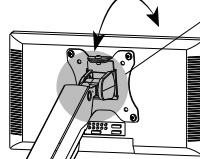
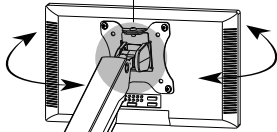
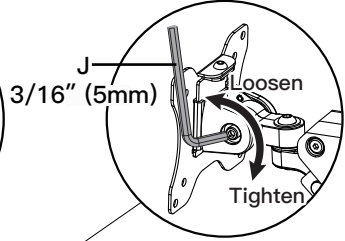
### Swivel Adjustment




### Tilt Adjustment



### Tilt Adjustment

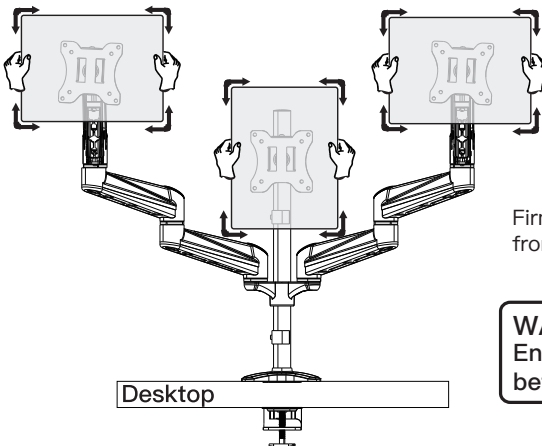


**WARNING:**  Do not overtighten or overloosen the bolts.

Directly adjust your monitor by gripping the monitor edges (do not press on the screen itself).


If it is difficult to adjust, slightly loosen the bolt. Move the monitor to your desired position, and retighten the bolt to hold the monitor in desired position.

## Step 8 Rotation Adjustment



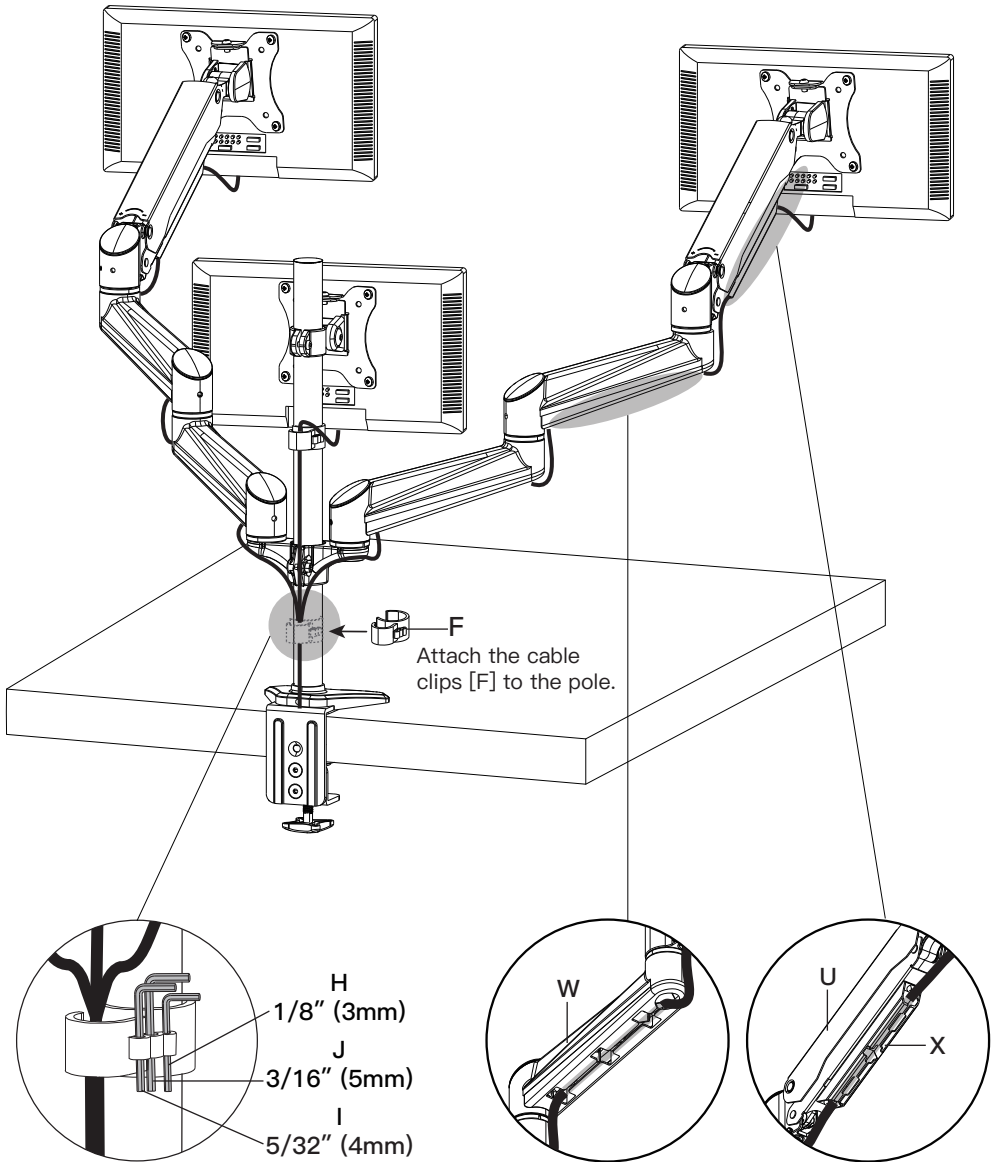
### 360° Rotation

Firmly hold monitor at edges and rotate from Landscape to Portrait mode.

**WARNING:**  Ensure bolts are secured firmly before rotation.

## Step 9 Route Cables Along the Arm

Route the cables using the cable management covers [X] on the compression arms and the preassembled covers on the extension arms [W].



Store the Allen keys  
in the cable clip.

# HUANUO

---



(US/CA) 1-800-556-0533

(UK) 44-808-196-3874



[support@huanuoav.com](mailto:support@huanuoav.com)



[www.huanuoav.com](http://www.huanuoav.com)