

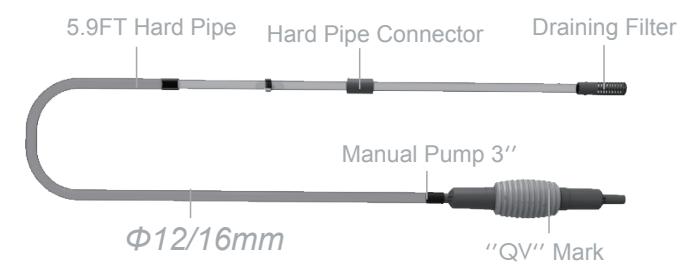
BOXTECH BT-600

FISH TANK WATER EXCHANGER

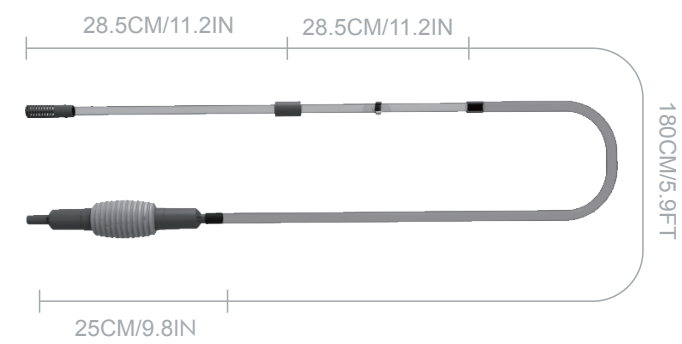
Operation Instruction

Please carefully read the instruction manual before using it and keep it properly for future reference.

Features

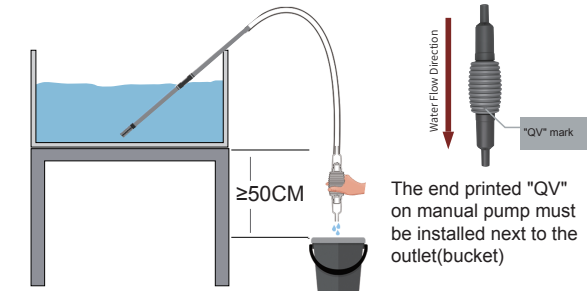


The end printed "QV" on manual pump must be installed next to the outlet(bucket)



■ installation method

- 01 Assemble the water changer according to Figure A.
- 02 According to Figure B, put a section of the water changer into the fish tank, and put another section into the bucket. Press the manual pump a few times to change the water.



Maintenance

If the pump cannot operate normally, please check as follows.

1. Please clean the internal garbage regularly.
2. Please check for air leakage when connecting the pipe.
3. The outlet pipe cannot bend when using.

warranty card

Please fill in the following contents carefully as the warranty basis.

User profile: _____ Year month day

User name _____

Contact information _____

Address _____

Product name _____

Date of purchase _____

Purchase address _____

Sales order number _____

User signature _____