

WiFi SOS Emergency Button Alarm

User Manual



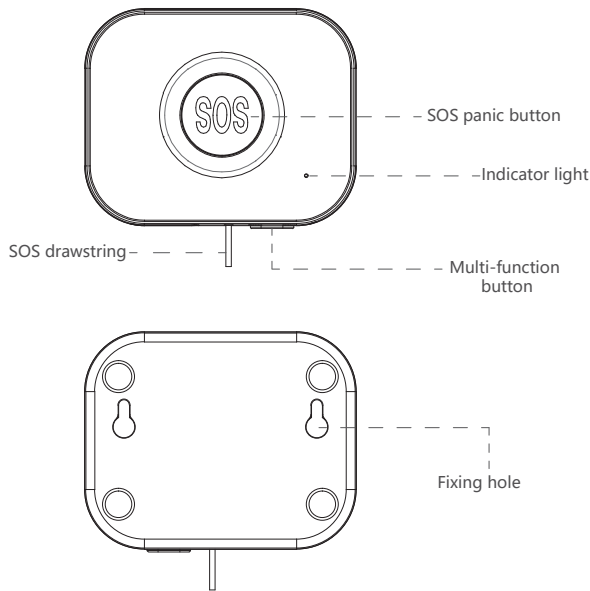
Product Introduction

This product is a WIFI SOS emergency button (manual alarm, hereinafter referred to as the "button"), with one key alarm, drawstring alarm, anti-tamper alarm, alarm reset and other functions. The alarm will have sound and light alarm. It is suitable for all kinds of emergency by just one key.

Features

- Use SMT process, wonderful anti-radio frequency ability
- One key alarm, pull rope alarm, anti-tamper alarm, alarm reset
- On-site sound and light alarm
- WiFi communication
- Low Power Tips

Product Learning



Indicator light:

Indicator light	Fast flash	Slowly flash	Stay on	Fast short flash	Slowly short flash	Flash
Red	/	/	Alarm Status	/	/	Enter into setting mode, Red/green light flash alternately
Green	Enter the WiFi connection fast mode	Enter the WiFi connection AP mode	/	Network connecting	Network connection failed	

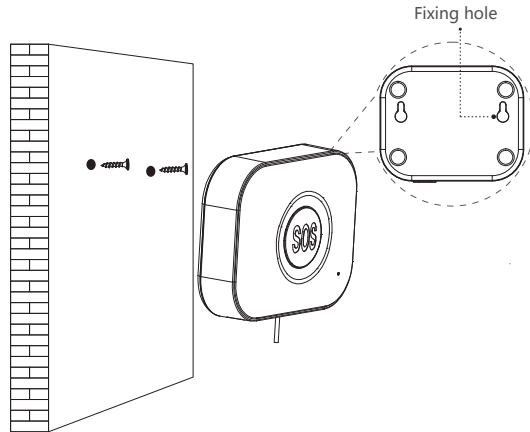
按键定义:

Button	Short press	Drawstring	Long press (3s)	Long press(6s)	Long press(9s)	Long press (12s)
SOS panic button	SOS Alarm	/	/	/	/	/
SOS draw-string	/	SOS Alarm	/	/	/	/
Multi-function button (release the button for real-izing)	Device power on/ cancel alarm, "beep"	/	Device power off "long beep"	WiFi pairig "beep beep"	Enter setting mode "beep beep beep"	Factory default "double long beep"

Note: Device parameter setting can only be set on APP, and the alarm duration can be set.

Installation

It can be installed in living room, bedroom, toilet and other places that need emergency help.



Fast Setting

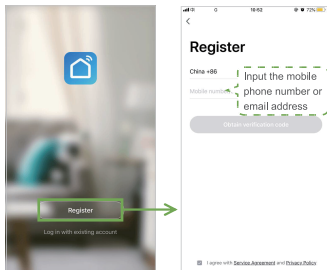
1、Download APP

- Search "SmartLife" from APP Store or Google Play or Scan the following QR code.



SmartLife

- After downloading the APP, please follow the instructions on the interface to register and log in. After the software is launched, click [Create New Account] and use the mobile phone number or email address to register your account.



2、WiFi Connection

Fast Mode:

- Make sure your phone is connected to a Wi-Fi router (dual-band router, please choose 2.4G connection)
- Open the APP, click [+] in the upper right corner of the main page; select 【Sensors】 -> find the "SOS Button", choose 【Emergency Button(WiFi)】 ;
- The WiFi emergency button will enter the WIFI fast network pairing mode: Long press the multi-function button to "beep" for 2 sounds, and then release the button. The indicator light will flash green, indicating that the emergency button will enter the fast network pairing mode.
- Click the APP interface confirmation button, select the WiFi to be connected and enter the WiFi password, click [OK] to configure the WiFi; App interface prompts to add successfully, complete WiFi configuration; if the pairing is unsuccessful, repeat it.

Note: It is better to install it near the wireless router.
Currently does not support 5Ghz WiFi band.

Hotspot Mode(AP Mode):

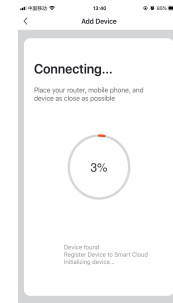
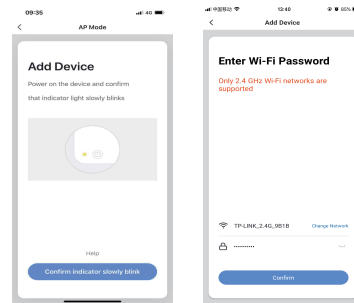
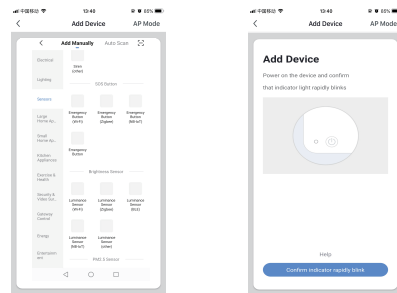
If the default fast network connection is unsuccessful, you can select "hotspot mode" to make network connection.

- Make sure that the mobile phone is connected to a Wi-Fi router (dual-band router, please select 2.4G connection) .
- Open the APP, click [+] in the upper right corner of the main page; select 【Sensors】 -> find the "SOS Button", choose 【Emergency Button(WiFi)】 ;

③SOS panic button to enter WiFi hotspot pairing mode: long press the multi-function key after "beep" 2 times and then release the key, the indicator light is in green slowly flash, indicates that the SOS button enters the hotspot network pairing mode;

④On the APP interface, click "Confirm indicator slowly blink" --> to select the WIFI to be connected and Enter Wi-Fi Password --> Confirm --> Connecting;

⑤Find "SmartLife- XXXX" in the WiFi list of the mobile phone and click the connection. The connection is successful. After that, return to the "Smart Life" APP for WiFi configuration, and the host indicator light is always blue, means the host network pairing successfully.



Technical parameters

- Operating voltage: DC3V (two 1.5V AA batteries)
- Static current: $\leq 15\mu A$
- Operating current: $\leq 200mA$
- Wireless mode: WiFi
- Alarm mode: manual alarm, sound and light alarm, remote linkage alarm
- Alarm indicator: red LED
- Network indicator light: green LED
- Relative humidity: 5%-95%RH
- Installation: wall hanging
- Preservation temperature: $-10^{\circ}C$ --+ $65^{\circ}C$
- Size: 100 mm * 81 mm * 31 mm