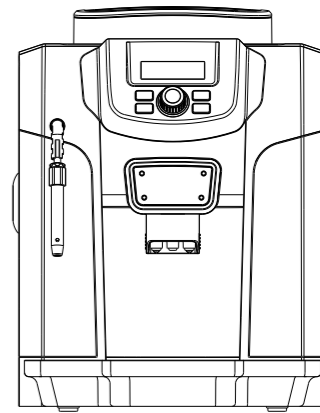


ME-715 FULLY AUTOMATIC COFFEE MACHINE

USER MANUAL



CONTENTS

Information	Safety	02
	Getting to know your machine	13
	First trial on your machine	16

Operation	Menu Mode	20
	Mark your Espresso	30
	Mark Coffee with powder	31
	Steam	32

Maintenance	Cleaning and maintenance	36
	Storage	42
	Trouble shooting	42

Others	Specifications	44
	Accessories included in the machine	45



You can find the manual on website of “www.merol.cn”.

SAFETY GUARDS

When using electrical appliances, basic safety precautions should always be followed.

Including the following:

01. Read all Instructions.
02. Do not touch hot surfaces. Use handles or knobs.
03. To protect against fire, electric shock and injury to persons do not immerse cord, plugs, in water or other liquid.
04. Unplug from outlet when not in use and before cleaning. Allow to cool before putting on or taking off parts, and before cleaning the appliance.
05. Do not operate any appliance with a damaged cord or plug or after the appliance malfunctions, or has been damaged in any manner. Return appliance to the nearest authorized service facility for examination, repair or adjustment.

06. The use of accessory attachments not recommended or sold by the appliance manufacturer may result in fire, electric shock or injury to persons.
07. Do not use outdoors.
08. Do not let the cord hang over the edge of a table or counter, or touch hot surfaces.
09. Do not place on or near a hot gas or electric burner, or in a heated oven.
10. To disconnect, turn any control to "off". Then remove plug from wall outlet.
11. Do not use appliance for other than intended use.
12. Avoid contacting moving parts.
13. Don't move the covering lid away when the appliance is in working.
14. Scalding may occur if the brewing unit is removed during the brewing cycles.
15. Close supervision is necessary when any appliance is used by or near children.
16. Power cord

- (1) A short power-supply cord is to be provided to reduce risks resulting from becoming entangled in or tripping over a longer cord.
 - (2) Longer detachable power-supply cords or extension cords are available and may be used if care is exercised in their use.
 - (3) If a long detachable power-supply cord or extension cord is used:
 - a. the marked electrical rating of the (detachable power supply cord or) extension cord should be at least as great as the electrical rating of the appliance;
 - b. the appliance is of the grounded type, the extension cord should be a grounding type 3-wire cord;
 - c. the longer cord should be arranged so that it will not drape over the countertop or tabletop where it can be pulled on by children or tripped over.
17. If the detachable is less than 2 meters, cord of 3G0,75mm² should be used, otherwise at least cord of 3G1,0mm² must be used.
18. The appliance must not be immersed in water.

THANK YOU FOR CHOOSING OUR COFFEE MACHINES!

Thank you for purchasing our Fully Automatic Coffee Machine.

This user manual is provided to assist you with its operation, to familiarize yourself with the machine for an enjoyable coffee experience at home or in the office.

Please read this manual carefully and keep it for future reference.

Please note— Each person's coffee is unique. Experimentation is recommended to ensure you are making the perfect coffee for your particular taste.

This appliance is not intended for use by persons (including children) with reduced physical, sensory or mental capabilities, or lack of experience and knowledge, unless they have been given supervision or instruction concerning use of the appliance by a person responsible for their safety. Children should be supervised to ensure that they do not play with the appliance.

This appliance can be used by children aged from 8 years and above if they have been

given supervision or instruction concerning use of the appliance in a safe way and if they understand the hazards involved. Cleaning and user maintenance shall not be made by children unless they are older than 8 and supervised.

Keep the appliance and its cord out of reach of children aged less than 8 years.

This appliance can be used by persons with reduced physical, sensory or mental capabilities or lack of experience and knowledge if they have been given supervision or instruction concerning use of the appliance in a safe way and understand the hazards involved.

Children shall not play with the appliance.

This appliance is intended to be used in household and can't be used in similar applications such as:

- staff kitchen areas in shops, offices and other working environments;
- farm houses;
- by clients in hotels, motels and other residential type environments;
- bed and breakfast type environments.

Attention:

If the appliance or the supply cord is damaged, it must be repaired by manufacturer, its service agent or qualified person.

The connector must be removed before the appliance is cleaned and that the appliance inlet must be dried before the appliance is used again.

The appliance must not be immersed in water.

Warning:

Danger of scalding.

The filling aperture can not be released during use. The water refilling aperture can only be released 30 minutes after the appliance is unplugged.

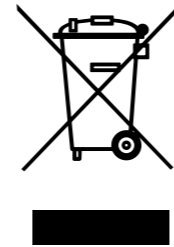
Meaning of crossed-out wheeled dustbin:

Do not dispose of electrical appliances as unsorted municipal waste, use separate collection facilities.

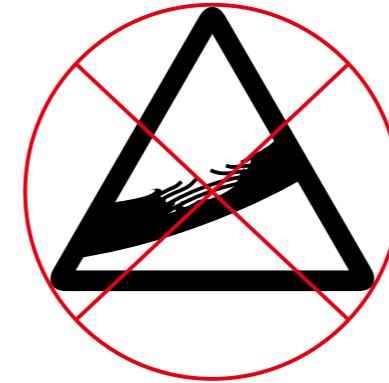
Contact you local government for information regarding the collection systems available.

If electrical appliances are disposed of in landfills or dumps, hazardous substances can leak into the groundwater and get into the food chain, damaging your health and well-being.

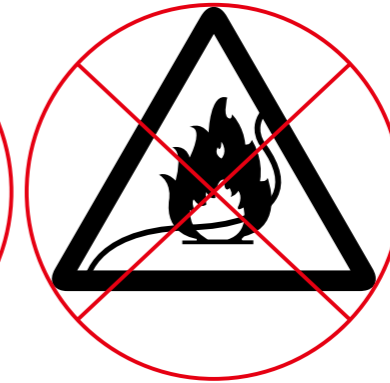
When replacing old appliances with new ones, the retailer is legally obligated to take back your old appliance for disposals at least free of charge.



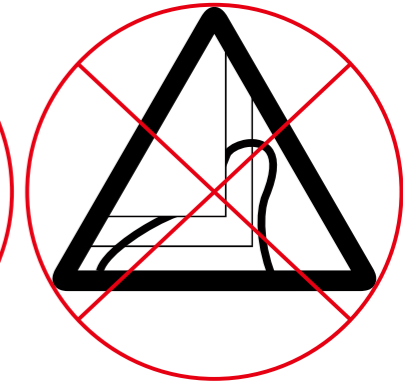
Safety



Never use a damaged power cord



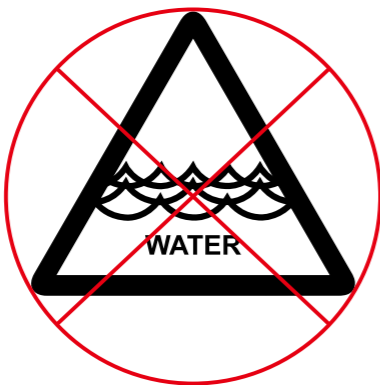
Keep the cable away from fire and hot surfaces



Never squeeze the power cord



Keep the machine
away from fire and
high temperatures



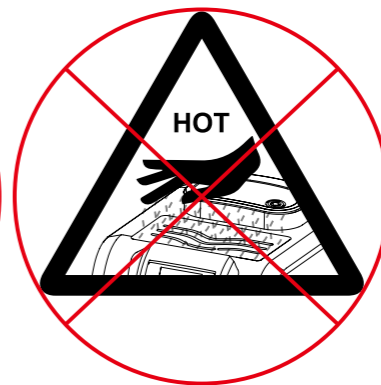
Do not immerse the
machine in water or
other liquid



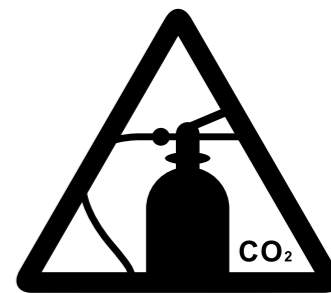
Never allow child
to play with the
machine



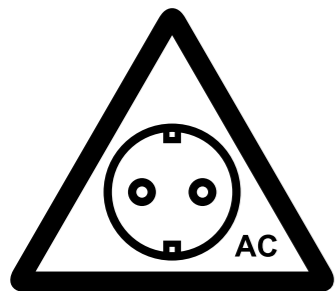
Do not touch the hot
water and steam
exhaust



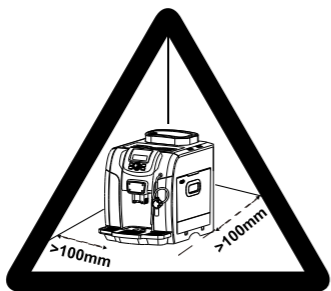
No hands on warming
cup plate



Use carbon dioxide
extinguisher



Plug into an AC outlet

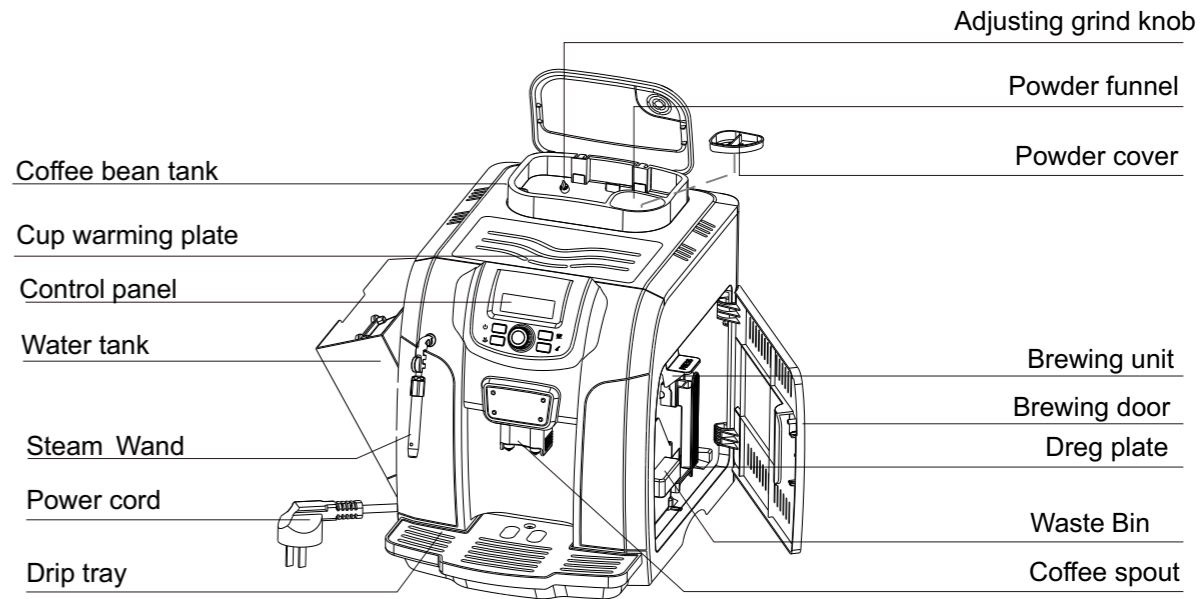


Place the machine on a level and clean surface
Leave at least 100mm between the wall and the machine

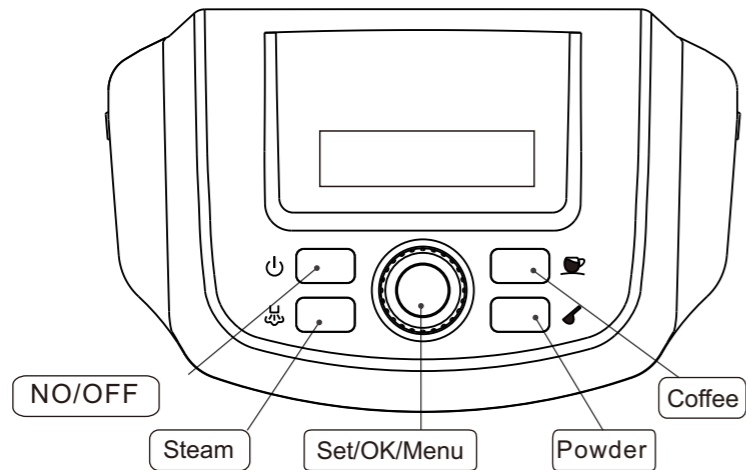


Suggest to pre-warm cup

Machine components

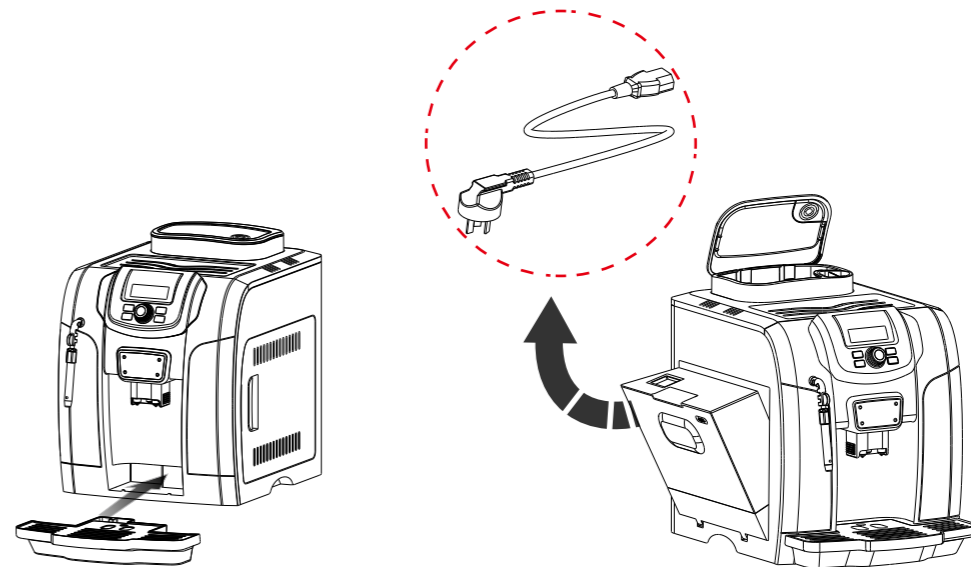


Control panel



When using "Set/Ok/Menu" Key, pls press it firstly, then turn this key to choose different items on the screen.

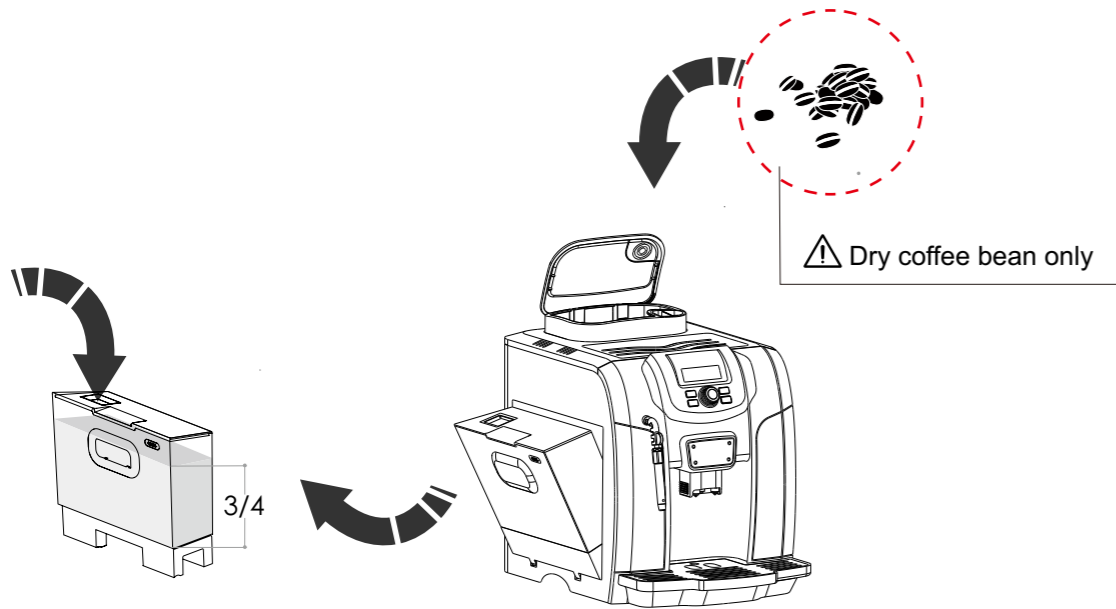
Installing the machine



1 Install the drip tray

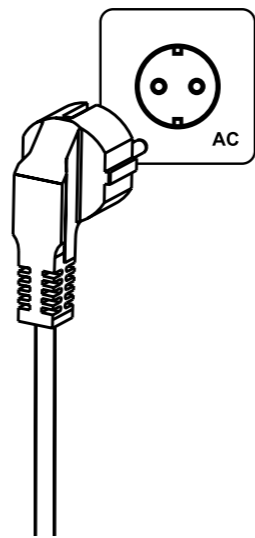
2 Take out Power cord

First trial on the machine

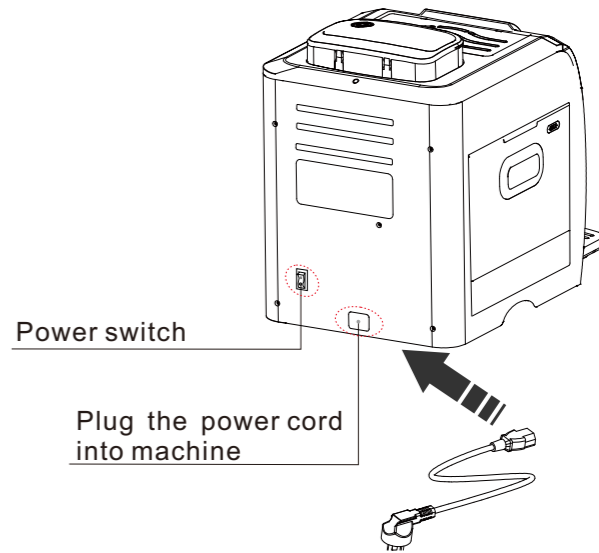


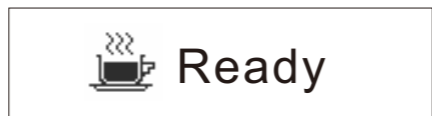
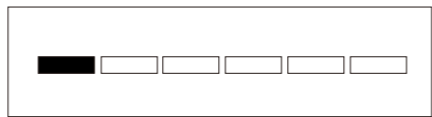
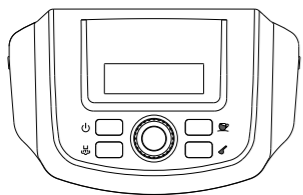
1 Take off water tank and infuse fresh water to 3/4 capacity

2 Put coffee bean into bean tank



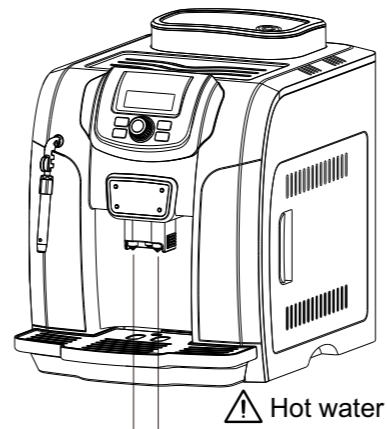
3 Plug into an AC outlet and turn on switch





4 Press switch key and then the machine would start pre-heating

5 Self cleaning

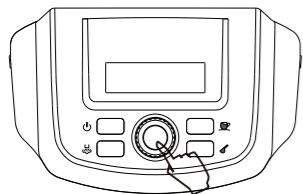


6 Place a cup under the Coffee spout



7 Adjust height of coffee spout **8** Ready for use

Menu mode



Press Menu key for 5 seconds

Language
Temp 85°C

Language Mode

English
German

Coffee Temp Mode

70 75 80 85 90

ECO time 30Min
Warning Tons

Warning Tones mode

ON
OFF

Keypad Tones mode

ON
OFF

Keypad tones
Water hardness 2

Water hardness mode

0 1 2 3 4

Note:

- 0:No Descaling Remind;
- 1:Descaling Remind at 1000cups;
- 2:Descaling Remind at 750cups;
- 3:Descaling Remind at 500cups;
- 4:Descaling Remind at 250cups.

When in "Menu Mode", get your status as using "SET/OK/MENU" Key.

Product Info
ESC



Product Infe mode

Product Date
2014年03月04日 ↓

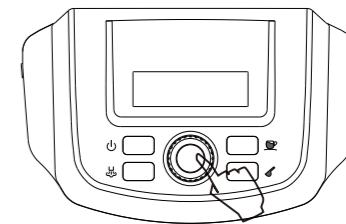
Order No. ↑
ME1407002EN ↓


Total Cups ↑
000001 ↓

Version No. ↑
ME-715-B1-V1.0

ESC Mode

Product Info ↑
ESC



 Ready

Reminders



Lack of water

If this message is indicated on the Screen, there is either no water in the water tank or it is not installed properly. Add fresh water and make sure it is set in the correct position.



Waste Bin full

If this message is indicated on the Screen, Waste Bin is full, remove the dreg drawer and empty it.



Brewing unit missing

Brewing unit is not in the position, please check if the brewing unit is installed, or if correctly installed.



Close the door

Brewing door is not in the right place, be sure to put the brewing door in the right place.





Waste Bin missing

Waste Bin is not in the right position, please check if the Waste Bin is installed, or if correctly installed.



Descaling

When Screen shows " Fill Pill ", that means the machine needs to be descaled. Through the "SET/OK/MENU" Key to select "OK" or "ESC".

Fill Pill
OK ESC

Ventilate

Ventilate

The machine is in a vacuum state,pls touch "OK"
The machine will do maintenance by itself,
if this remind can not disappear, pls ask for repairing.

NTC Error

NTC Error

The machine will do maintenance by itself, if this remind
can not disappear, pls ask for repairing.

Self protect

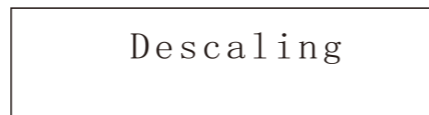
Self Protection

The machine will do maintenance by itself, if this remind can
not disappear, pls ask for repairing.

Descaling Mode



Choose "OK" start automatic descaling.



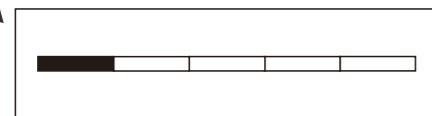
Choose "OK" after adding Does.



In descaling operation.



Choose "OK" after filling water into water tank



After finishing descaling.



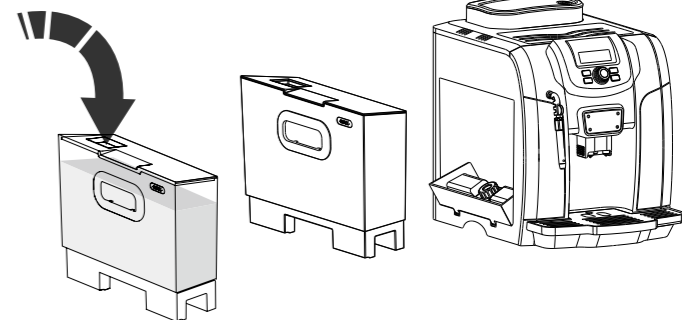
Restart machine automatically

Remark:

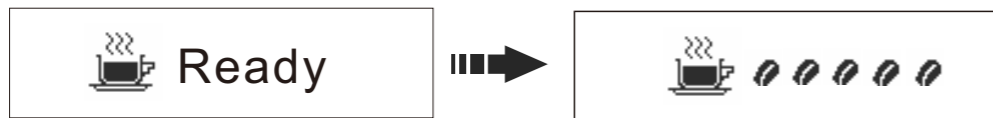
- 1.The whole descaling operation need about 1000ml water as filling water four times.
- 2.The pump will keep station as "working" for 3 seconds,"pause" for 17 seconds.
- 3.As this is automatic descaling, it will continue finishing whole programs after any stops.
4. After descaling is finished, machine will do self test.
- 5.There is a list for your reference. As choose the water hardness in water hardness mode , then the machine will do descaling according to your choice.

Attention: before using the machine to make coffee, pls set water hardness firstly.

Water Hardness	Preset cups	Remark
0		No Descaling
1	1000	Auto Descaling
2	750	
3	500	
4	250	



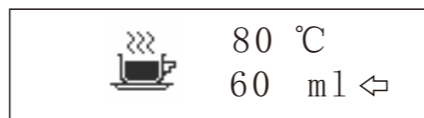
Make your Espresso



1 Press "Coffee key"

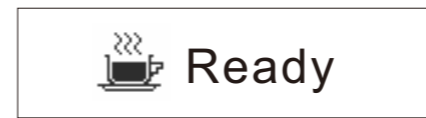
2 Turn SET/OK/Menu key clockwise to choose bean quantity

Attention: when the machine is in grinding status, press coffee key again, the machine will make double cups coffee.

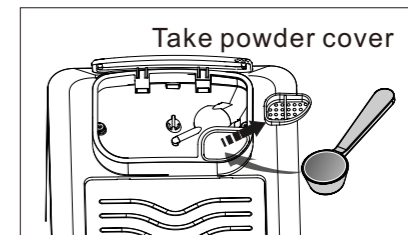


3 As Coffee Volume menu reminding, turn SET/OK/Menu key clockwise to choose the volume.

Make coffee with powder

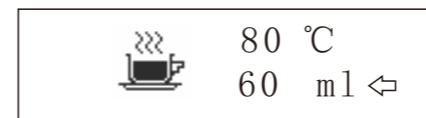


1 Press "Powder key"



! Dry coffee powder only

2 Add one scoop of coffee powder



3 As Coffee Volume menu reminding, turn SET/OK/Menu key clockwise to choose the volume.

Steam



1 Press "Steam key"



2 Waiting

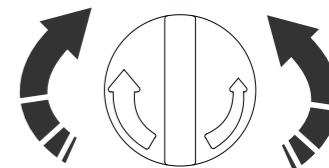
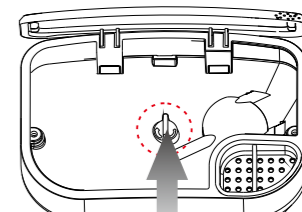


3 Turn Menu key clockwise to choose steam time, press Menu key to stop steam.



Grinder Adjustment

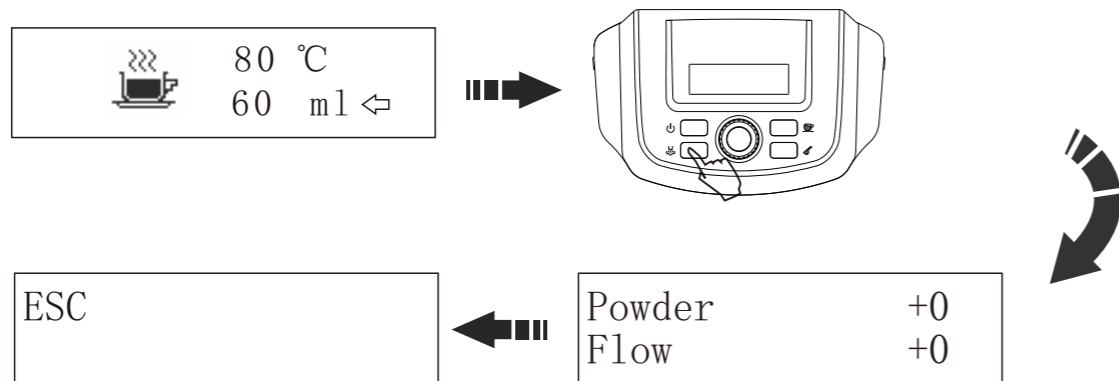
There is a knob marked with clockwise arrow. Turn the knob clockwise, the powder will be coarse. Turn the knob anti-clockwise, the powder will be fine.



Coarse

Fine

Powder adjustment



Press Coffee key to make a coffee. In the operation of making coffee, press steam key for 7 seconds, there will be powder Menu out. pls turn the Menu Key to choose "Powder", then Press the Menu Key, then turn the Menu Key clockwise to add powder, while turn the Menu Key anticlockwise to reduce powder, if you choose "Flow", press Menu Key clockwise or anticlockwise to add and reduce the coffee volume. if you choose "ESC", press Menu Key to withdraw from this operation.

Maintenance


Like a man who wants to maintain their body, the machine also needs your careful maintenance so that you can get long-lasting use and high quality coffee.

Cleaning and maintenance

Never put the machine into water or other liquids, in order to avoid causing short circuit.

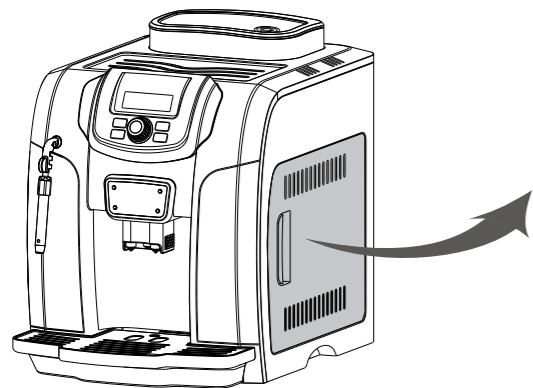
Never put the parts of the machine into a dishwasher.

Never put components into microwave oven or over dries.

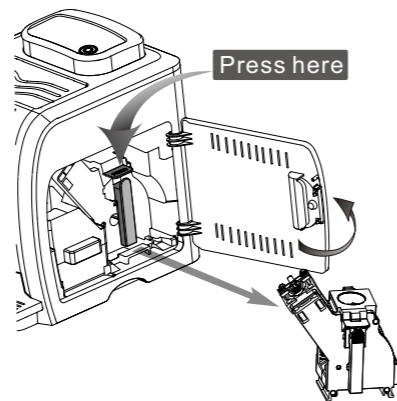
 Before cleaning be sure shutting the power and waiting for the machine in cool .

Cleaning the main components

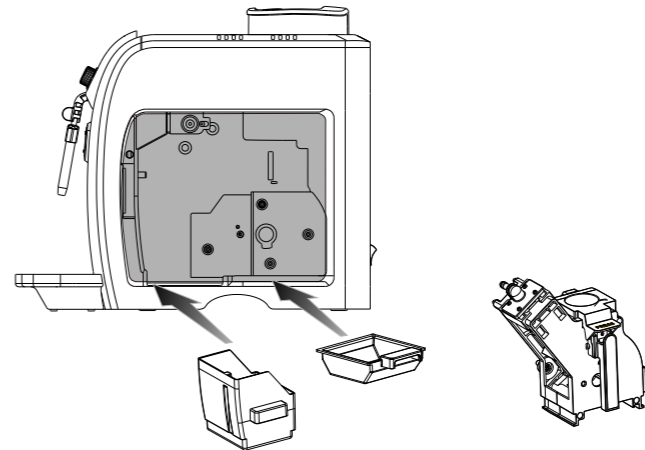
In order to keep the coffee/hot water spout and the brewing unit clean, it is recommended to empty the dreg drawer and drip tray once a day. Clean the water tank, drip tray, drip tray cover and dreg plate regularly. When the red float in drip tray is higher than drip tray surface, please empty the drip tray as soon as possible.



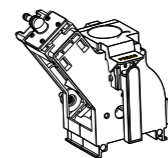
1 Turn off the power, pull out the plug, then open the brewing door.



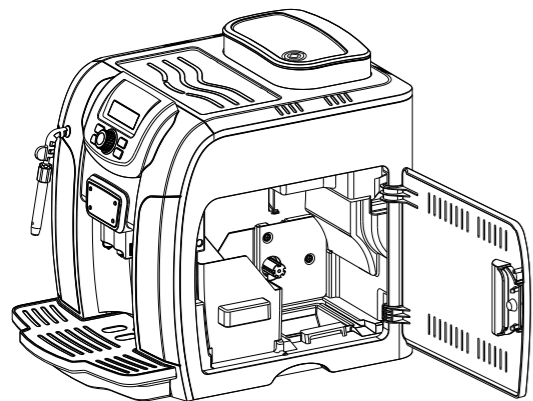
2 Lift the handle on the brewing unit, and press the flake which there is a written word "press" on top of it. Take out the brewing unit. Clean the main equipment with hot water without impregnant. Be sure there is no coffee dreg on the two filters, then dry it.



3 Take out waste tray and waste Bin, clean them with unrough impregnant.



4 Clean the area around brewing unit completely. And then, install waste Bin again.



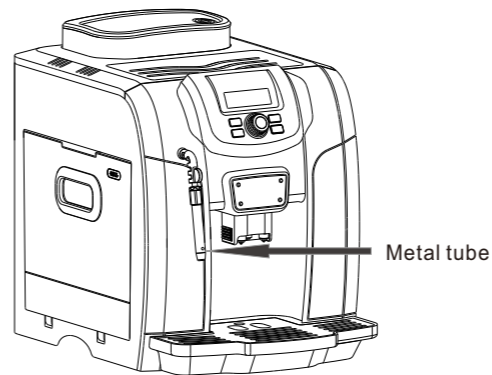
- 5 Take out brewing original unit with handle. Slide into the initial position. Be sure the brewing unit is well positioned after hearing "clip", then install the dreg drawer. Close the brewing door finally.

⚠ **Note:** When put back the brewing unit, never push the flake where there is a word "press", or it will cause damage to the machine.

⚠ **Warning:** If the brewing unit is not in the correct position, display would show "BREWING UNIT MISSING" and machine can not work properly.

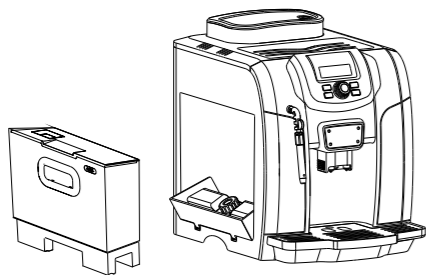
- 6 Usually, the bean tank is not required to be clean. Clean it with cotton if needed.

⚠ **Note:** Never add water into bean tank, otherwise it will cause damage to machine.

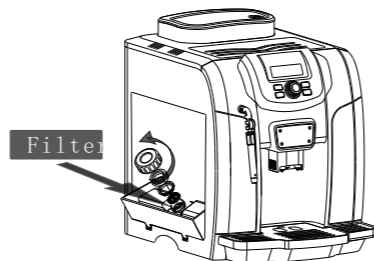


- 7 Clean the steam wand by a wet wipe to get rid of the left milk on the surface.

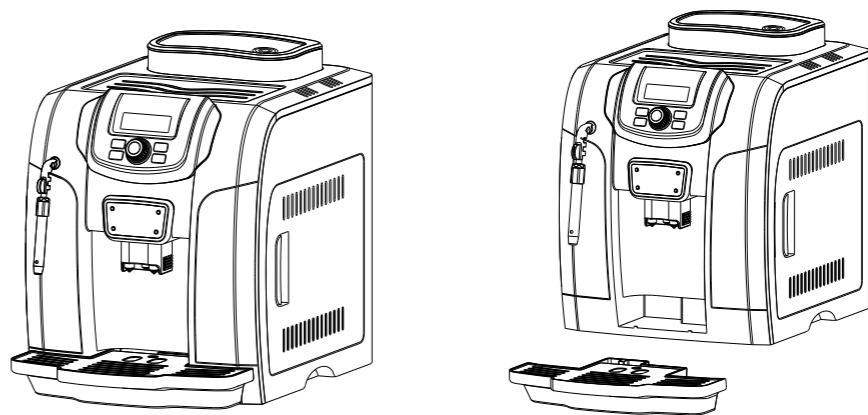
⚠ **Attention:** Steam wand is hot after use steam function. Don't touch it directly by your hand.



- 5** Moving the water tank, the water inlet is located under the tank.



- 6** Turn the cover anti-clockwise, take off the filter. Re-assembly it after cleaning.



- 7** Check the red float if it is higher on the disco of drip tray. Take the drip tray away from the machine and clean it. Re-assembly it into the machine after cleaning.

Storage


If you do not plan to use the machine for a long period, turn it off and pull out the plug. Store the machine in a dry place and keep away from children. Keep the machine clean. Check the machine regularly; clean it according to the instruction manual.

Trouble shooting

Switch power off, then pull plug out immediately when the machine has been damaged in any manner.

When malfunction occurred, try to find solutions for the manner by referring to the table below.

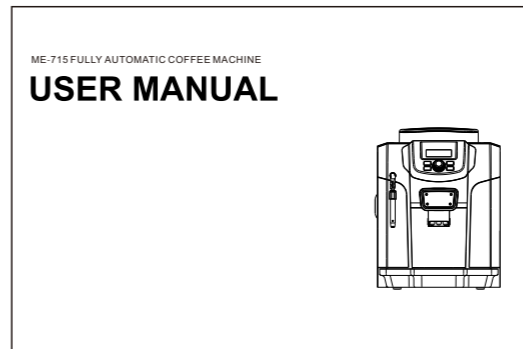
Do not try to fix the machine by yourself in order to avoid getting injury, return machine to the nearest authorized service facility for examination, repair or adjustment if needed. Otherwise the manufacturer will not assume the responsibility for any injury.

Problem	Possible Reason or indication	Possible Fix
Grinder sounds unusual	There are some impurity in the grinder	Contact factory or authorized dealer
No Coffee Flow	Coffee Grams are too high or coffee Grind is too coarse	Adjust grinder. To a medium to fine grind and lower Calibration settings
Brewing unit is Blocked	Brewing unit is not in original start position	Close the brewing door, restart the machine, brewing unit will reprogram to return to its original position
No water or steam	The steam/hot water nozzle is blocked	Clean the nozzle with needle or clean with warm water
	 To avoid scalding, make sure the machine is unplugged	

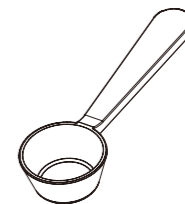
Specification

Rated voltage	220-240VAC 50/60Hz
Rated power	1200-1400W
Size(L*W*H)	426*280*366mm
Net weight	9.6kg
Waste Bin	15PCS Coffee Grounds
Exterior power cord	1.5m
Temperature control	Digital control
Coffee powder quantity	Program adjust(five settings)
Coffee powder thickness	Manual adjusted 3 settings
Water tank capacity	2.0L
Coffee bean tank capacity	300L
Coffee spout height range	70-110mm
Overheat protection	Dual protection: temperature fuse and temperature sensor
Pump pressure	19bar
Compliance with EN bylaw	EN 60335-1; EN 60335-2-14; EN 62233

Accessories included with the machine



Instruction manual 1pc



Coffee spoon 1pc