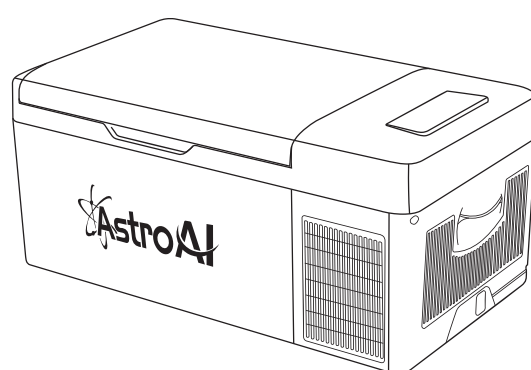




Web: www.astroai.com  
E-mail: support@astroai.com



## Portable freezer



—V0.1—

Capacity: 15L

## CONTENTS



01	SAFETY INFORMATION
02	DIAGRAM
03	DISPLAY INTRODUCTION
04	SIZE DIMENSIONS
05	SPECIFICATIONS
06	OPERATION
07	CHANGING TEMPERATURE UNIT BATTERY PROTECTION SETTING
08	TROUBLESHOOTING
09	CODE ANALYSIS
10	WARRANTY

This manual contains important information regarding the safety, operation, maintenance, and storage of this product. Before using, read and understand all warnings, instructions, and product labels. Failure to do so may result in injury or product damage. Please keep this manual for future reference.

Thank you for purchasing the AstroAI portable freezer. This freezer can be used with both 12 and 24-volt car outlets as well as standard wall outlets. With both an included chill and heating function, you will be able to keep everything at the perfect temperature.

We hope you enjoy your new AstroAI portable freezer! Questions or concerns? Please contact us with your question at support@astroai.com

## SAFETY INFORMATION

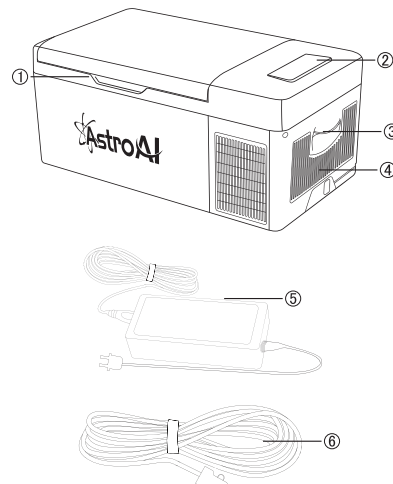
### 01/ SAFETY INFORMATION

- When using the 12/24V in-car adapter, the compact fried should not be left connected for long periods of time when the engine is not running.
- Unplug this device during lightning storms or when not in use for long periods of time to prevent damage to the device.
- DO NOT open or remove covers, doing so may expose you to dangerous voltages and other hazards.
- The supply voltage should match the voltage indicated in the technical specifications and on the appliance rating plate.
- In order to completely disconnect the device from a power source, switch off the outlet and unplug the freezer.
- Do not bend, stretch, or pull the power cable. Doing so may cause an electric shock.
- Avoid operation in locations where dust or other airborne contaminants may enter the fan.
- Allow at least 5 inches of distance from the back and sides of the device to allow proper air circulation and heat dispersion.
- Never leave the freezer running in poorly ventilated areas like an enclosed vehicle trunk.
- The installation of DC power on a vehicle must be performed by a professional electrician.
- Do not use electrical products inside the freezer.
- After initially unpacking the freezer, let it stand for at least 6 hours before powering on.
- Keep the freezer horizontal at all times.
- The freezer should be operated in a well-ventilated area away from heat sources and direct sunlight.
- Do not soak the freezer with water. If water accumulates inside the freezer, use a cloth to dry the condensation. Do not pour water out of the freezer.

## DIAGRAM



### 02/ DIAGRAM

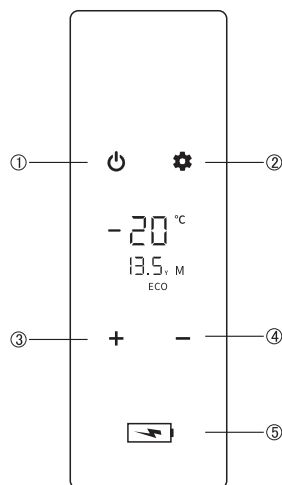


- ① Door Handle
- ② Control Panel
- ③ Carrying Handle
- ④ Heat Dissipation Port
- ⑤ AC Cord and Plug
- ⑥ DC Cord and Plug

## DISPLAY INTRODUCTION

### 03/ DISPLAY INTRODUCTION

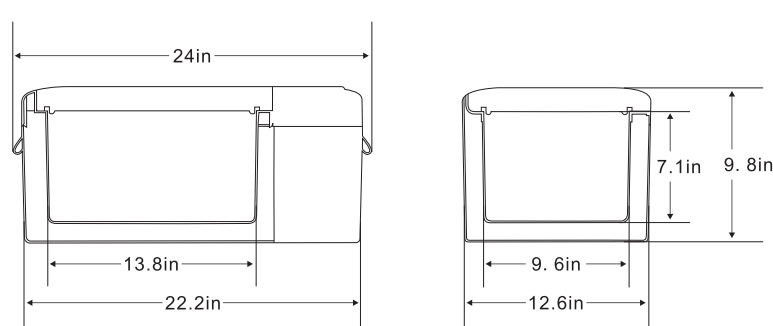
- ① Power Button
- ② Set Button
- ③ Increase Temperature
- ④ Decrease Temperature
- ⑤ USB Charging Port



## SIZE DESCRIPTION



### 04/ SIZE DESCRIPTION



## SPECIFICATIONS

### 05/ SPECIFICATIONS

Capacity:	15L
Operating Input Voltage Range:	100-240V
Car input Voltage Range:	12/24V
Rated Current:	AC: 0.5A-1.2A
	DC: 5A (12V) / 2.5 (24V)
Rated Power:	60W
Environment Type:	T/ST/N/SN
Electrical Safety Level:	II
Refrigerant Amount:	24g
Certifications:	CE, FCC, RoHS
Important note:	After initially unpacking the fridge, let it stand for at least 6 hours before powering on. Always keep the freezer horizontal.

## OPERATION



### 06/ OPERATION

- Connect the power supply. Connect one end of the power supply to the freezer socket.
- Connect the other end to a car cigarette lighter or a standard household outlet.
- Press the "⏻" button to turn the freezer on to cooling mode. The temperature on the display is the current internal temperature.
- Press the "+"/"-" button to set the cooling temperature. Hold "+" or "-" to quickly increase/decrease the temperature. The first time you use the freezer, it will default to the lowest temperature. In subsequent uses, the temperature will default to the last user-set temperature.
- Press the "⚙️" button to change the freezer to ECO (Energy Saving Mode) or MAX (Quick Cooling Mode). The factory default mode is MAX.
- Press the "⏻" button to turn off the freezer.

## CHANGE TEMPERATURE UNIT BATTERY PROTECTION SETTING

### 07/ CHANGE TEMPERATURE UNIT

- Set the freezer to its "⏻" state.
- Press and hold the "⚙️" button until the display reads "E1".
- Press the "⚙️" button again to toggle through the settings until the display reads "E5".
- Press the "+"/"-" button to switch between Fahrenheit and Celsius.

### BATTERY PROTECTION SETTING

This freezer has a three-level battery protection function which not only guarantees normal operation of the freezer, but also protects the battery of the vehicle.

- Set the freezer to its "on" state.
- Hold the "⚙️" button until the display flashes "H".
- Press the "⚙️" button again to select a low voltage protection level - L, medium voltage protection level - M, or high voltage protection level -- H. The factory default is "H".

Battery Protection		
L	M	H
8.5-10.9V	10.1-11.4V	11.1-12.4V
Vehicle Battery		
External Battery or Spare Battery		
<p> Note: Due to differing output voltage of different vehicle power supplies, if the voltage protection appears (if the display reads "F1"), you can lower the battery protection setting by one level (H adjusted to M or L). It is not recommended to run the freezer while the engine is off. If you must run the freezer while the engine is off, set the protection level to H (high). If the freezer is run for too long without the engine on, the vehicle may not be able to start.</p>		

## TROUBLE-SHOOTING



### 08/ TROUBLE-SHOOTING

Freezer is not working	<ul style="list-style-type: none"> <li>Re-plug the power cable and try to turn the freezer on.</li> <li>Confirm the freezer and display panel are turned on.</li> <li>After turning the freezer on, there is a three-minute compressor delay safety. Check if the freezer turns on after three minutes.</li> <li>Please contact AstroAI Customer Support for help.</li> </ul>
Excessive freezing inside the refrigerator	<ul style="list-style-type: none"> <li>The temperature is set too low.</li> <li>Confirm the door is closed and the seal is intact.</li> <li>Make sure the inside of the freezer is dry before use.</li> </ul>
It sounds like water is running inside the freezer	<ul style="list-style-type: none"> <li>This is the normal sound of flowing refrigerant.</li> </ul>
Water droplets accumulate around the shell or door seal	<ul style="list-style-type: none"> <li>When the moisture in the air meets the cold shell of the freezer, it condenses into water droplets. This condensation can be wiped off with a towel.</li> </ul>
The compressor starts loudly	<ul style="list-style-type: none"> <li>When the compressor initially starts, the motor will usually run at a high speed. This produces loud noises, but it will decrease after the speed has stabilized.</li> </ul>
Inaccurate temperature displayed	<ul style="list-style-type: none"> <li>If items put inside are too hot, the internal temperature will be uneven while the temperature stabilizes.</li> <li>Frequently opening and closing the freezer door causes varying air flow, resulting in an unstable internal temperature.</li> <li>Make sure that the unit of your thermometer matches the unit of the freezer display.</li> </ul>

## CODE ANALYSIS

### 09/ CODE ANALYSIS

F1	Low voltage protection code: lower the battery protection setting by one level.
F2	Overloaded protection for fan: Turn the freezer off and leave it unplugged for 30 minutes before restarting. If the error occurs again, please contact AstroAI Customer Support for help.
F3	Protection for frequently starting compressor: Turn the freezer off and leave it unplugged for 30 minutes before restarting. If the error occurs again, please contact AstroAI Customer Support for help.
F4	The speed of the compressor is too low or the load is too large: Turn the freezer off and leave it unplugged for 30 minutes before restarting. If the error occurs again, please contact AstroAI Customer Support for help.
F5	High-temperature protection for the compressor: Turn the freezer off and leave it unplugged for 30 minutes in a well-ventilated area before restarting. If the error occurs again, please contact AstroAI Customer Support for help.
F6	The controller can not check the parameters: Turn the freezer off and restart it. If the error occurs again, please contact AstroAI Customer Support for help.
F7/F8	Abnormal protection of the thermal head: Check the terminal of the thermal head.

## WARRANTY



### 10/ WARRANTY

#### 1 Year Limited Warranty from AstroAI

Each AstroAI portable freezer will be free from defects in material and workmanship. This warranty does not cover damage from neglect, misuse, contamination, alteration, accident, or abnormal conditions of operation or handling. This warranty covers the original purchaser only and is not transferable.

AstroAI aims to provide our customers with excellent products and customer service. Learn more about us at [www.astroai.com](http://www.astroai.com) or our Instagram @astroai.