

RV Gas Cooktop

Operating and Installation Instructions



This manual is for use with

YSN-HT-600-i

RV Gas Cooktop

WARNING: If the information in this manual is not followed exactly, a fire or explosion may result causing property damage, personal injury or death.

— Do not store or use gasoline or other flammable vapors and liquids in the vicinity of this or any other appliance.

— **WHAT TO DO IF YOU SMELL GAS**

- Do not try to light any appliance.
- Do not touch any electrical switch.
- Do not use any phone in your recreational vehicle.
- Clear the recreational vehicle of all occupants.
- Turn off the gas supply tank valve(s) or main gas supply.
- Immediately call your gas supplier for instructions.
- If you cannot reach your gas supplier, call the fire department.

— **Have the gas system checked and leakage source corrected by a qualified installer, service agency, manufacturer or dealer or the gas supplier.**

Keep this instruction manual with your appliance for future use.
The model and serial number are printed on the enclosed product registration card.

2601 NORTHLAND DR
ELKHART, IN 46514 USA



Contents

Safety Instruction	5-6
Cooktop Feature Guide	7
Using Your Cooktop.....	8
Getting Started	9
Installation	10-11
Technical Specifications.....	12
Trouble Shooting	13
Warranty	14-15
Parts Drawing	16-17

Safety Instruction

IMPORTANT SAFETY INSTRUCTIONS

WARNING: To reduce the risk of fire, electrical shock, injury to persons, or damage when using the cooktop, reading the user manual before use. All installation must conform with state or other and Standards for Recreational Vehicles, ANSI/NFPA 1192.

- **Do not touch surface Burners, grates, or metal areas near these burners or on the cook-top.** Surface burners may be hot even though the flames are not visible. Areas near surface burners may become hot enough to cause burns. During and after use, do not touch or let clothing or other flammable materials touch these areas until they have had sufficient time to cool. Among these areas are the cook-top and the surfaces facing the cook-top.
- **Wear Proper Apparel- Loose-fitting or hanging garments should never be worn while using the appliance. Do not let clothing or other flammable materials contact hot surfaces.**
- **Do Not Use Water or Flour on Grease Fires— Smother the fire with a pan lid, or use baking soda, a dry chemical or foam-type extinguisher.**
- **When heating fat or grease, watch it closely. Fat or grease may catch fire if allowed to become too hot.**
- **Use Only Dry Pot holders- Moist or damp pot holders on hot surfaces may result in burns from steam. Do not let the pot holders touch the flame or burners. Do not use a towel or other bulky cloth instead of a pot holder.**
- **Do Not Heat Unopened Food Containers— Buildup of pressure may cause container to burst and result in injury.**
- **Know which knob controls each surface burner.**
- **Always turn the knob counter clock wise starting from the OFF position when igniting the burners. Visually check that the burner has lit. Then adjust the flame so it does not extend beyond the edge of the utensil.**
- **Never leave surface Burners unattended at High Heat settings—Boil-overs cause smoking and greasy spillovers that may ignite, or a pan that has boiled dry may melt.**
- **Use proper pan size—**This appliance is equipped with two surface burners of different sizes. Select utensils having flat bottom large enough to cover the surface burner, but not too big to avoid melting the control knobs.

Safety Instruction

- Do not store flammable materials near burners or let grease or other flammable substances accumulate on this appliance.
- Never leave this appliance unattended when in use. Boil-Overs and greasy spills may smoke or ignite.

WARNING: ENSURE THE COOKTOP IS SECURED TO THE KITCHEN WORK AREA.



WARNING:

NEVER use this appliance as a space heater to heat or warm the room. Doing so may result in carbon monoxide poisoning and overheating of the cooktop.

Important safety notice

The California Safe Drinking Water and Toxic Enforcement Act requires the Governor of California to publish a list of substances known to the state to cause cancer, birth defects or other reproductive harm, and requires businesses to warn customers of potential exposure to such substances.

CAUTION: Do not store items of interest to children in cabinets above or in close vicinity to the appliance— children climbing on the cooktop to reach items could be seriously injured.

WARNING: Gas leaks cannot always be detected by smell. Gas suppliers recommend that you use a gas detector approved by UL or CSA. For more information, contact your gas supplier. If a gas leak is detected, follow the “What to do if you smell gas” instructions. Disconnect power before servicing. Always perform a leak test according to the manufacturer's instructions.

Maintenance – Keep cooktop area clear and free from combustible materials, gasoline, and other flammable vapors and liquids.

Storage in or on the cooktop – Flammable materials should not be stored in an cooktop or near surface cooktop units. Pressure / Leak test using 11- 13.8WCI pressure.

Feature Guide

Feature

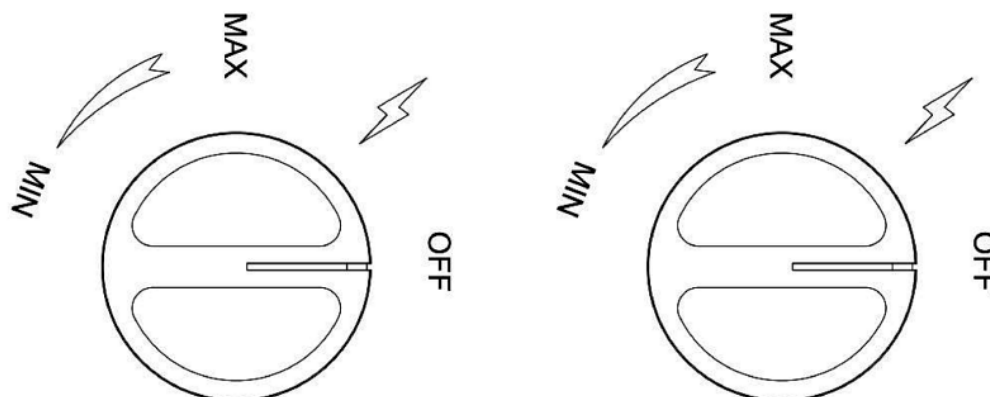
- 1 Burners Heads and Grates
- 2 Control Knobs
- 3 Wind Shield
- 4 Top Cover (Lid)



Gas Cooktop : YSN-HT-600-i

Using your cooktop

How to use your cooktop



Lighting the Surface burners:

1. Ensure all cook-top knobs are turned clockwise to the OFF position.
2. Check the main gas supply valve is in the OPEN position.
3. Press the cook-top knob down to activate the piezo ignitor, and immediately turn it 90 degrees counterclockwise so it points at the big flame icon.
4. To select the slow stew setting, turn the control knob to the lowest level counterclockwise Settings.

* If there is no flame, turn off the knob and re-piezoelectric ignition.

Warning: Top cover (Lid) must be open when one or both of the burners are in operation.

Shut off instructions

1. When the cook-top is not in use or a replacement gas bottle is needed to be installed.
2. Turn all knobs clockwise to the off position. Before transit, turn the main gas supply off.

The Burner Flame

Keep your arms and face away from being directly above the cooking area. Look through the cooking grate and observe the burner's flame below.

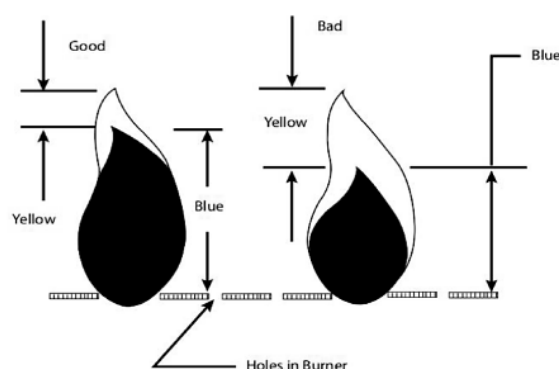
Flames should appear similar to the good flame show in diagram right.

A good flame should be blue with a yellow tip.

Some yellow tips on flames up to 1 inch in

length are acceptable as long as no carbon or soot deposits appear.

If flames are excessively yellow and irregular, the oil residue may not be completely burned off, or the venturi may be clogged or may not be properly positioned over the orifices. Allow the appliance to cool before repositioning the venturi over the valve and orifices.



Getting Started

Important

Never extend the flame beyond the outer edge of the utensil. A higher flame simply wastes heat and energy, and increases the risk of burning the control knobs and being burned by the gas flame.

Caring for your cooktop:

Use a nonabrasive stainless steel cleaner and apply with a soft lint-free cloth. To bring out the natural luster, lightly wipe surface with a water-dampened microfiber cloth followed by a dry polishing chamois. Always follow the grain of stainless steel.

To Clean the Burner Grates- Be sure burners and grates are cool before you place your hand, a pot holder, cleaning cloths or other material on them. The cast iron burner grates can be washed in hot soapy water. Rinse thoroughly and dry the grates with a cloth - don't put them on the cooktop while still wet. Be sure the grates are positioned securely over the burners. To remove burned on food, place the grates in a covered container or plastic bag. Add 1/4 cup ammonia and soak for 30 minutes. Wash, rinse well and dry. An abrasive cleaner can be used for stubborn stains.

Allow burners to cool. Use mild detergent or degreaser to clean. Rinse with water and towel dry. Be careful not to damage or bend the igniters or thermocouples on the side of each burner when cleaning. Ensure the burners are completely dry before attempting to ignite.

Using a damp cloth, wipe with mild detergent or spray degreaser; rinse and dry. Do not place in dishwasher.

Installation

The appliance must be installed only by a qualified person in compliance with the instructions provided.

Please ensure to install this product per manufacturers instructions to avoid harm to persons, animals or damage to property.

Important: Please ensure the gas supply has been shutdown before any adjustments or maintenance work is completed.

Surface Preparation:

- Make sure the cut-out in the counter-top is per Fig. A.
- Ensure the distance between the appliance to near by unprotected combustible structures is per Fig. A or more.
- Install the gas supply hose with 5/8-18UNF connection and shut-off valve to the back wall on the left hand side of the cook-top cut out.
- Ensure to leave enough hose length so the cook-top can be connected before being fully placed in the cut-out area.
- Ensure there is ventilation hole for air circulation around the cook-top in the cabinet.
- The depth of cabinets installed above cooking top should not exceed 13 in (330 mm).
- Ensure the counter-top, surrounding materials and bonding agents have a temperature rating of no less than 193°F (95°C) to avoid deformation or discoloration.

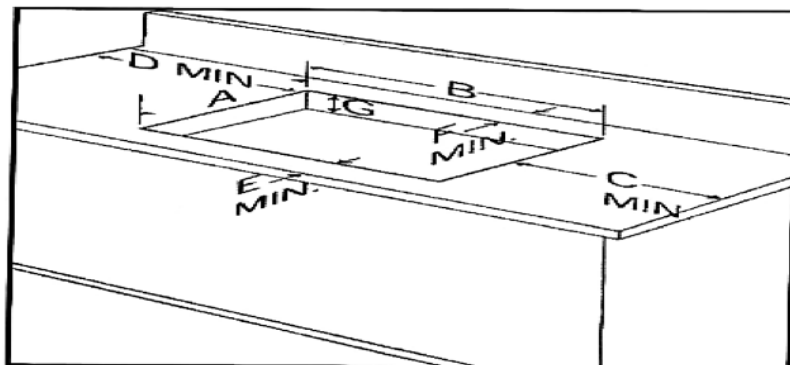
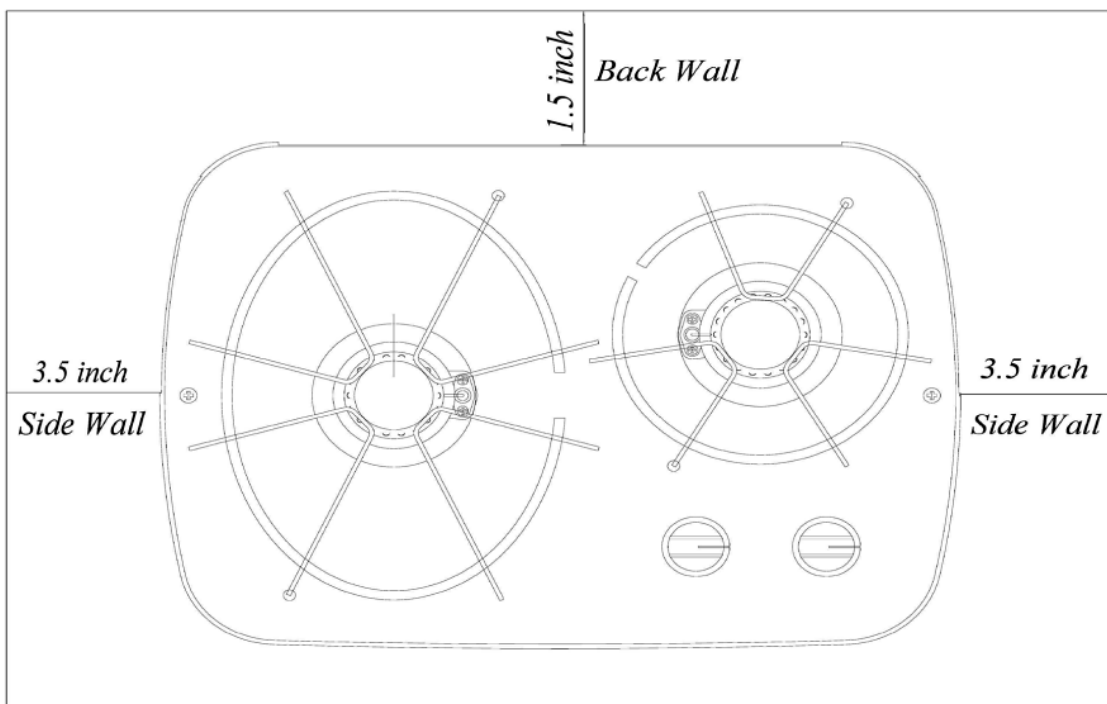


Fig. A

DIMENSIONS DES DÉCOUPES	A	B	C	D	E	F	G
MODEL YSN-HT-600-i	11-1/2	16-1/4	3-1/2	3-1/2	1	1-1/2	2-13/16
			◆	◆	◆	◆	◇

◆ Minimum Dimension

◇ Total depth of the kitchen surface



Installation

Gas connection:

Connect the cook-top to a designated gas supply line from the RV main gas line which runs externally under the RV floor. Do not use an existing gas connection inside the RV to supply two appliances.

Cook-top must be connected separately, each appliance must have separate valve to render it independent from any other appliance.

This cook-top can be used with Propane Gas only.

This cook-top is fitted with a threaded 5/8-18UNF male attachment. For installation use LP hose and CSA or UL certified connectors which comply to USA and Canadian safety standards.

Ensure when cook-top is installed the flexible gas supply pipe cannot touch any moving parts. Make sure adequate space is available so the supply pipe will not be bent or damage after installation.

Checking that the connection is gas tight

Once installation is complete, check all pipe fittings for gas leaks by pressurizing the system to 13.8WCI then using a leak detection fluid or certified gas leak detector to check for possible leaks.

Technical Specifications

Technical Specifications

BTU/HR	Left:7200 BTU/hr Right:5,200BTU/HR
Fuel	Gaz Propane (LP Gaz)
Inlet Pressure	10" WCI Minimum à 13,8" WCI Maximum

Trouble shooting

Important

Before you call for service, review this list. It may save you time and expense. The list includes common occurrences that are not the result of defective workmanship or materials in this appliance.

Problem	Possible cause/solution
Burner will not light.	Control knob was not in OFF position when pushed down. Turn the knob clockwise all the way to the OFF position, push down and immediately turn counter clockwise towards the big flame icon.
	Ensure gas supply valve is open.
	Burner ports or slots are clogged. With the burner off, use a small-gauge wire or needle to clean ports or slots.
	Check gas supply level in bottles.
Surface burner flame burns half way around.	Moisture is present on the burner, dry burner thoroughly.
Surface burner flame burns half way around.	Burner ports or slots are clogged. With the burner off, clean ports with a small-gauge wire or needle to clean ports or slots.
	Moisture is present after cleaning. Lightly fan the flame and allow burner to operate until flame is full. Dry the burners thoroughly following instructions under General Cleaning.
Surface burner flame is orange.	Dust particles in main line. Allow the burner to operate a few minutes until flame turns blue.
	In coastal areas, a slightly orange flame is unavoidable due to salt air.

Warranty

Your appliance is covered by a one year limited warranty. For one year from your original date of purchase, FLAME KING will pay costs for repairing or replacing any parts of this appliance that prove to be defective in materials or workmanship when such appliance is installed, used and maintained in accordance with the provided instructions.

Exclusions

this warranty does not cover the following:

1. Products with original serial numbers that have been removed, altered or cannot be readily determined.
2. Product that has been transferred from its original owner to another party or removed outside the USA or Canada.
3. Rust on the interior or exterior of the unit.
4. Products purchased second hand are not covered by this warranty.
5. Products used in a commercial setting.
6. Service calls which do not involve malfunction or defects in materials or workmanship, or for appliances not in ordinary household use or used other than in accordance with the provided instructions.
7. Service calls to correct the installation of your appliance or to instruct you how to use your appliance.
8. Expenses for making the appliance accessible for servicing, such as removal of trim, cupboards, shelves, etc., which are not a part of the appliance when it is shipped from the factory.
9. Service calls to repair knobs, handles, or other cosmetic parts.
10. Surcharges including, but not limited to, any after hour, weekend, or holiday service calls, tolls, ferry trip charges, or mileage expense for service calls to remote areas, including the state of Alaska.
11. Damages to the finish of appliance or home incurred during installation, including but not limited to floors, cabinets, walls, etc.
12. Damages caused by: services performed by unauthorized service companies; use of parts other than genuine parts or parts obtained from persons other than authorized service companies; or external causes such as abuse, misuse, inadequate power supply, accidents, fires, or acts of God.

Warranty

Customer's sole and exclusive remedy under this limited warranty shall be product repair or replacement as provided herein. Claims based on implied warranties, including warranties of merchantability or fitness for particular purpose, are limited to one year or the shortest period allowed by law, but not less than one year. YSN Imports DBA Flame King shall not be liable for consequential or incidental damages such as property damage and incidental expenses resulting from any breach of this written limited warranty or any implied warranty. Some states and provinces do not allow the exclusion or limitation of incidental or consequential damages, or limitations on the duration of implied warranties, so these limitations or exclusions may not apply to you. This written warranty gives you specific legal rights. You may also have other rights that vary from state to state.

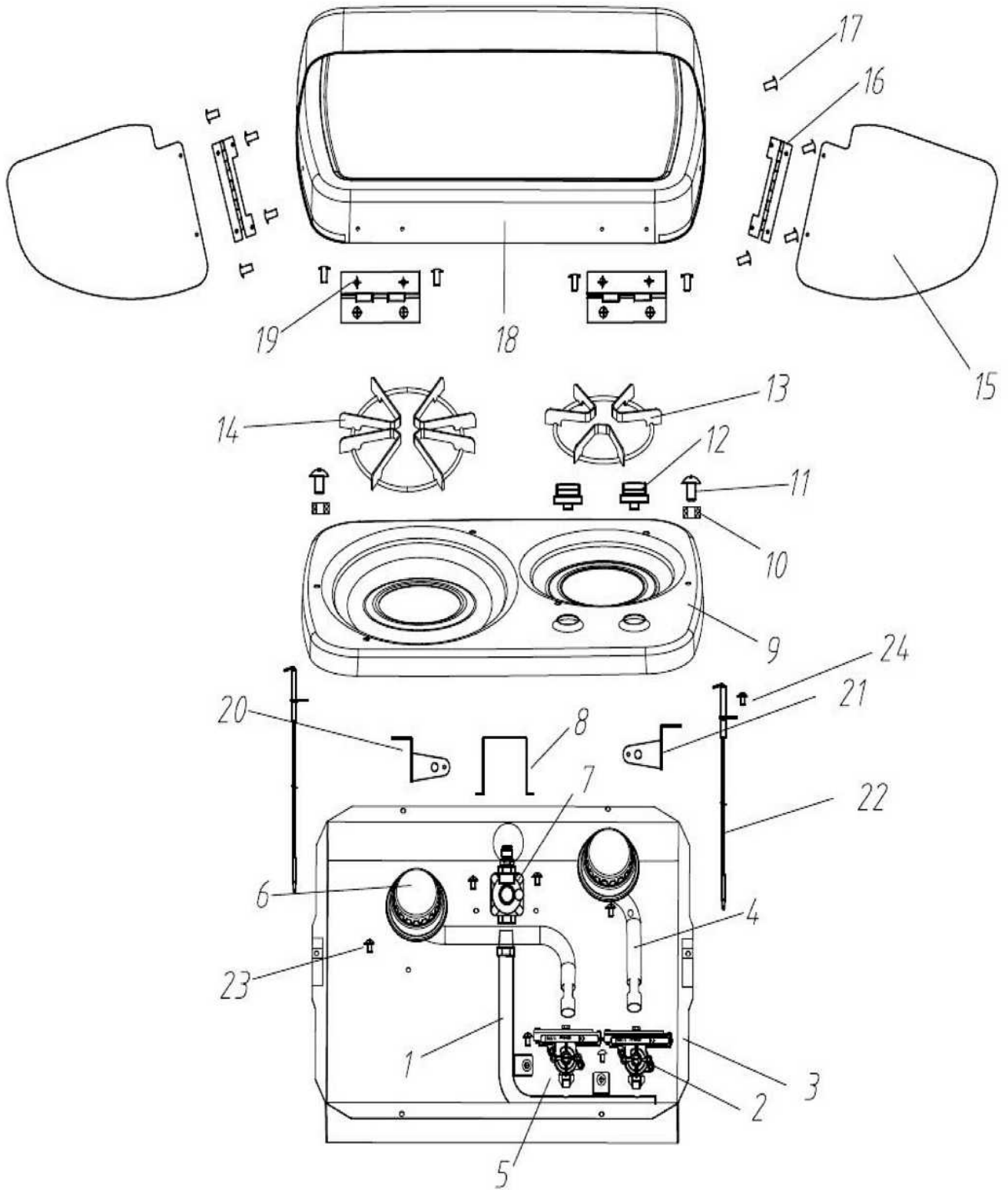
Keep your receipt, delivery slip, or some other appropriate payment record to establish the warranty period should service be required. If service is performed, it is in your best interest to obtain and keep all receipts. Service under this warranty must be obtained contacting YSN Imports Inc., DBA Flame King (www.flameking.com).

Product features or specifications as described or illustrated are subject to change without notice.

Parts Drawing

1	Tracheal component	13	Round pot rack
2	Electronic valve	14	Oval pan stand
3	Square bottom box	15	windshield
4	Short burner assembly	16	Long hinge
5	Electronic valve	17	Φ 3.5x3 rivet
6	Long burner assembly	18	Black cover
7	Regulator valve	19	Short hinge
8	Regulating valve cover	20	Left bracket
9	Stainless iron panel	21	Right bracket
10	Plastic mat	22	Ignition needle
11	M5x12 Screw	23	M5x6 Screw
12	Black Knob	24	M4x6 Screw

Parts Drawing



Cuisinière à Gaz RV

Instruction pour l'installation et l'emploi



Ce mode d'emploi s'utilise
avec les modèles

YSN Imports YSN-HT-600-i
Cuisinière à Gaz RV



ATTENTION! Suivre exactement les informations contenues dans ce guide, afin d'éviter de causer un incendie ou une explosion qui pourraient entraîner des dommages matériels, des blessures ou un décès.

— Suivre exactement les informations contenues dans ce guide, afin d'éviter de causer un incendie ou une explosion qui pourraient entraîner des dommages matériels, des blessures ou un décès.

— S'IL Y A UNE ODEUR DE GAZ

- Ne pas allumer l'appareil.
 - Ne toucher à aucun interrupteur.
 - Ne pas utiliser de téléphone dans le véhicule.
 - Faire sortir tous les occupants du camping car.
 - Fermer la valve d'alimentation en gaz ou l'alimentation principale de gaz.
 - **Appeler immédiatement le fournisseur en gaz en utilisant un téléphonevoisin, autre que celui directement en main. Suivre exactement les instructions du fournisseur de gaz.**
 - Appeler immédiatement le fournisseur en gaz en utilisant un télépho nevoisin, autre que celui directement en main. Suivre exactement les instructions du fournisseur de gaz.
- — Utiliser un personnel qualifié, un service de réparation accrédité, le fabricant, le fournisseur de gaz ou de l'appareil pour vérifier la cuisin

Conserver ce guide avec l'appareil pour référence ultérieure.
Le nom du modèle et le numéro de série sont imprimés sur la carte d'enregistrement jointe avec l'appareil.

**YSN Imports Inc.,
DBA Flame King
4500 Pine Creek Rd.
Elkhart, IN 46516
USA**



INDEX

Précautions d'emploi	22-23
Description de l'appareil	24
Utilisation de la cuisinière.....	25-26
Conseil Important.....	26
Installation	27-28
Fichetechnique.....	29
Dépannage	30
Garantie	31-32
Description despièces	33-34

PRECAUTIONS D'EMPLOI

PRECAUTIONS IMPORTANTES

ATTENTION: Lire le mode d'emploi avant d'utiliser l'appareil pour réduire les risques d'incendie, d'électrocution, de blessures et de dommages matériels. L'installation de l'appareil doit être faite conformément aux Standards pour Véhicules de Récréation/Camping Cars, ANSI/NFPA, 1192.

- **Ne pas toucher les brûleurs, les grilles et les zones métalliques autour des brûleurs, ni le plan de cuisson.** Les brûleurs peuvent être chauds, même s'il n'y a aucune flamme. Les zones autour des brûleurs peuvent devenir suffisamment chaudes pour provoquer des brûlures. Ne pas toucher les plans de cuisson avec des matériaux inflammables ou des vêtements pendant ou après l'utilisation, et ce, jusqu'à ce qu'ils aient eu le temps de refroidir. Les zones de danger incluent le plan de cuisson et les zones proches du plan de cuisson.
- **Porter des vêtements adéquats— ne jamais porter de vêtements amples ou tombants pendant l'utilisation de l'appareil. Ne pas mettre de vêtements ou de produits inflammables en contact avec les zones chaudes de l'appareil.**
- **Ne pas utiliser d'eau ou de farine sur un feu causé par des produits gras - Éteindre le feu avec un couvercle de casserole, ou utiliser du bicarbonate de soude, de la mousse chimique, ou un extincteur à poudre.**
- **Surveiller attentivement la cuisson lors du réchauffement de graisse ou de produits gras.** La graisse ou l'huile peuvent prendre feu si elles se réchauffent trop.
- **N'utiliser que des poignées à casseroles sèches -- Les poignées mouillées ou humides, quand utilisées sur des surfaces chaudes, peuvent causer des brûlures par la vapeur. Ne pas laisser les poignées toucher la flamme ou les brûleurs. Ne pas utiliser de serviette ou chiffon à la place d'une poignée.**
- **Ne pas faire réchauffer des aliments dans des boîtes de conserve encore fermées. --la pression pourrait faire exploser le récipient et causer des blessures.**
- **Identifier le bouton correspondant à chaque brûleur.**
- **Toujours tourner le bouton sur la position LITE lors de l'allumage des brûleurs. Vérifier d'abord que le brûleur est allumé puis ensuite régler la flamme pour qu'elle ne dépasse pas le bord de l'ustensile.**
- **Ne jamais laisser les brûleurs sans surveillance quand ils sont en position High Heat —les débordements créent de la fumée et projettent de la graisse qui pourrait s'enflammer. Ils pourraient aussi causer la fonte d'un récipient qui s'est asséché.**

PPRECAUTIONS D'EMPLOI

- **cet appareil est équipé de brûleurs de différentes tailles.** Choisir des casseroles à fond plat, et assez larges pour couvrir le diamètre des brûleurs. Ne jamais utiliser de récipients trop petits.
- Ne pas entreposer des matériaux inflammables à proximité des brûleurs et ne pas laisser la graisse ou autres substances inflammables s'accumuler sur cet appareil.
- Ne jamais laisser cet appareil sans surveillance lors de son utilisation. Les débordements par bouillonnement et les écoulements graisseux pourraient enfumer la pièce ou prendre feu.

ATTENTION: FIXER L'APPAREIL AU PLAN DE TRAVAIL DE LA CUISINE



ATTENTION!

NE JAMAIS utiliser cet appareil en tant qu'appareil de chauffage pour réchauffer une pièce. Ceci pourrait entraîner une intoxication au monoxyde de carbone et une surchauffe du four.

Conseils d'utilisation importants

La Loi californienne sur l'eau potable et la toxicité exige que le Gouverneur de la Californie publie la liste de substances reconnues par l'état comme étant carcinogènes et résultant en malformations congénitales ou autres anomalies de la reproduction, et exige que les fabricants avertissent leurs clients d'une possible exposition à ces substances.

AVERTISSEMENT: Ne pas stocker des objets présentant un intérêt pour les enfants soit derrière ou au dessus de l'appareil. Les enfants risqueraient de grimper sur la cuisinière pour atteindre ces objets, et pourraient se blesser gravement.

ATTENTION: Les fuites de gaz ne peuvent pas toujours être détectées par l'odorat. Les fournisseurs de gaz recommandent l'utilisation d'un détecteur de gaz approuvé par UL ou CSA. Contacter le fournisseur de gaz pour plus d'informations. Si une fuite de gaz est détectée, suivre les conseils de la section « S'il y a une odeur de gaz » de ce manuel. Déconnecter l'appareil avant son entretien. Toujours effectuer un test de fuite selon les instructions du fabricant.

Entretien – Garder la zone de cuisson libre de tout matériaux combustibles, tels que l'essence et autres liquides inflammables.

Stockage dans, ou sur la zone de cuisson - les matériaux inflammables ne doivent pas être stockés dans le four ou à proximité de la zone de cuisson.

Description de l'appareil

Pression / Test d'étanchéité: testé avec une pression de 11-13.8 WCI

Caractéristiques

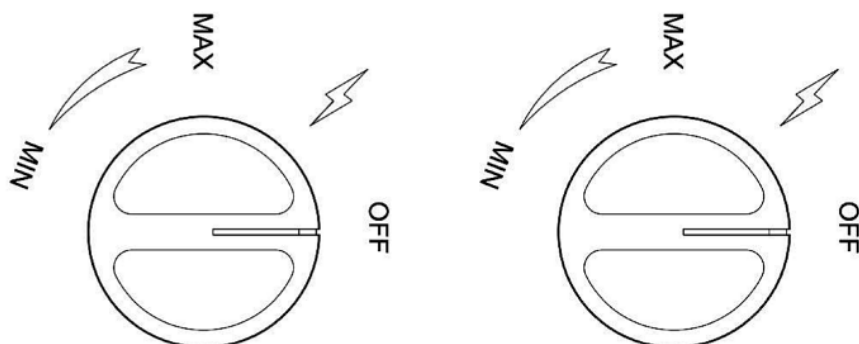
1. Têtes et grilles de brûleurs
2. Boutons de contrôle
3. Bouclier de vent
4. Capot supérieur (couvercle)



Surface de la cuisinière a gaz: YSN-HT-600-i

Utilisation de la cuisinière

Instructions



Allumage des brûleurs :

1. Vérifier que les boutons soient tous sur la position OFF, en les tournant vers la droite.
2. Vérifier que la valve d'alimentation en gaz est sur position OPEN.
3. Appuyez sur le bouton de la table de cuisson et tournez-le à 90 degrés dans le sens antihoraire jusqu'à l'icône de la grande flamme.
4. Pour sélectionner le réglage de cuisson lente, tournez le bouton de commande sur la position la plus basse niveau antihoraire Paramètres.

* S'il n'y a pas de flamme, fermez le bouton et allumez à nouveau piézoélectrique

NOTE: Pour votre sécurité, ne jamais tenter de faire fonctionner l'appareil avec la puissance de la batterie épuisée.

Eteindre la cuisinière :

Lorsque la plaque de cuisson n'est pas en cours d'utilisation ou quand une bouteille de gaz doit être remplacée et être installée.

- 1, Tourner tous les boutons vers la droite sur la position d'arrêt.
- 2, Avant de transporter l'appareil, couper l'alimentation principale de gaz au niveau de la vanne d'arrêt.

La flamme du brûleur

Gardez vos bras et le visage loin d'être directement au-dessus de la zone de cuisson.

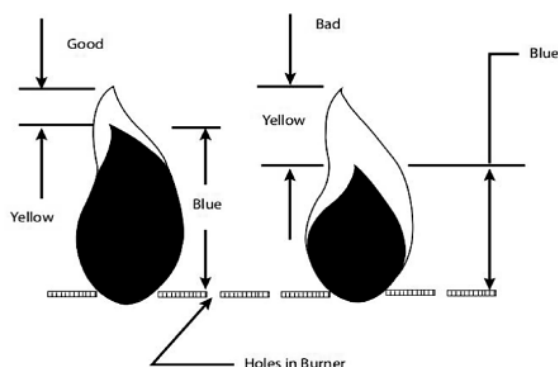
Regardez à travers la grille de cuisson et d'observer la flamme du brûleur.

Les flammes doivent ressembler à la bonne émission de flamme dans le droit du diagramme.

Une bonne flamme doit être bleue avec une pointe jaune.

Quelques conseils jaunes sur les flammes jusqu'à 1 "de longueur sont acceptables tant que pas de dépôts de carbone ou de suie.

Si les flammes sont trop jaune et irrégulière, les résidus d'huile ne peut pas être complètement brûlé.



Conseil Important

Conseil Important

Ne jamais laisser la flamme dépasser le bord extérieur d'un récipient. Une flamme trop large ne fait que gaspiller de la chaleur et de l'énergie, et augmente le risque de brûlures.

Entretien de la plaque de cuisson

Utiliser un nettoyant pour acier inoxydable non abrasif et l'appliquer avec un chiffon doux non pelucheux. Pour faire ressortir l'éclat naturel de l'acier, essuyer légèrement la surface avec un chiffon en microfibre humide, et puis polir avec une peau de chamois. Polir en suivant le grain de l'acier inoxydable.

Entretien des grilles du brûleur—Attendre que les brûleurs et les grilles soient complètement froids avant de les toucher ou de poser un porte-pot, des chiffons de nettoyage ou d'autres matériaux sur leurs surfaces. Les grilles en fonte peuvent être lavées à l'eau chaude savonneuse. Bien rincer et sécher les grilles avec un chiffon - ne pas les remettre sur la plaque de cuisson si encore humides. Remettre les grilles correctement dans leur position sur les brûleurs. Pour nettoyer de la nourriture brûlée, placer les grilles dans un récipient couvert ou dans un sac en plastique. Ajouter 1/4 de tasse d'ammoniac et laisser tremper pendant 30 minutes. Laver, rincer, puis bien laisser sécher. Un nettoyant abrasif peut être utilisé pour les tâches tenaces.

Laisser aux brûleurs le temps de refroidir. Utiliser un détergent ou un dégraissant doux pour les nettoyer. Rincer avec de l'eau et essuyer avec une serviette sèche.

Attention à ne pas endommager et tordre l'allumage ou les thermocouples sur le côté de chaque brûleur. Vérifier que les brûleurs soient complètement secs avant de tenter de les allumer. Utiliser un chiffon humide et un détergent doux ou un spray dégraissant. Rincer puis sécher.

Installation

L'appareil doit être installé que par une personne qualifiée conformément aux instructions fournies avec l'appareil.

Installer ce produit en suivant exactement les instructions du fabricant afin d'éviter de blesser personnes et animaux, et pour éviter les dommages matériels.

Important: Oter la pile ou l'alimentation électrique avant tout réglage ou entretien de l'appareil

Installation de la plaque de cuisson

- Faire la découpe du plan de travail selon les dimensions indiquées (Fig. A)
- Installer le tuyau d'alimentation en gaz avec une connexion 5/8-18UNF et positionner le robinet d'arrêt sur la paroi arrière, du côté gauche du plan de travail.
- Laisser suffisamment de longueur de tuyau pour pouvoir extraire et retirer la cuisinière.
- Créer une ouverture d'aération dans le meuble de cuisine pour faciliter la circulation d'air autour de la cuisinière .
- La profondeur des armoires de cuisine installés au-dessus ne doit pas dépasser 13 "(330mm).
- Vérifier que le plan de travail du meuble de cuisine, les matériaux et les adhésifs utilisés autour de la cuisinière ont une estimation de résistance à des températures de pas moins de 193°F (95°C) pour éviter la déformation ou la décoloration des matériaux.

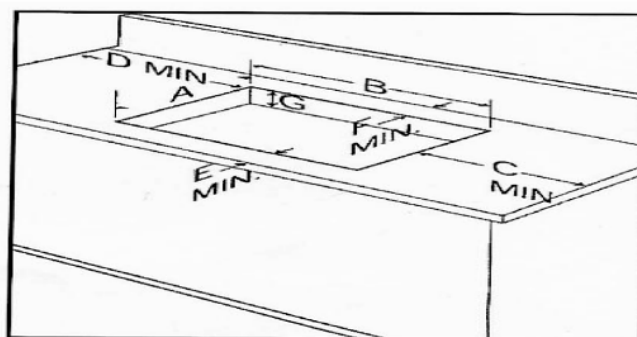
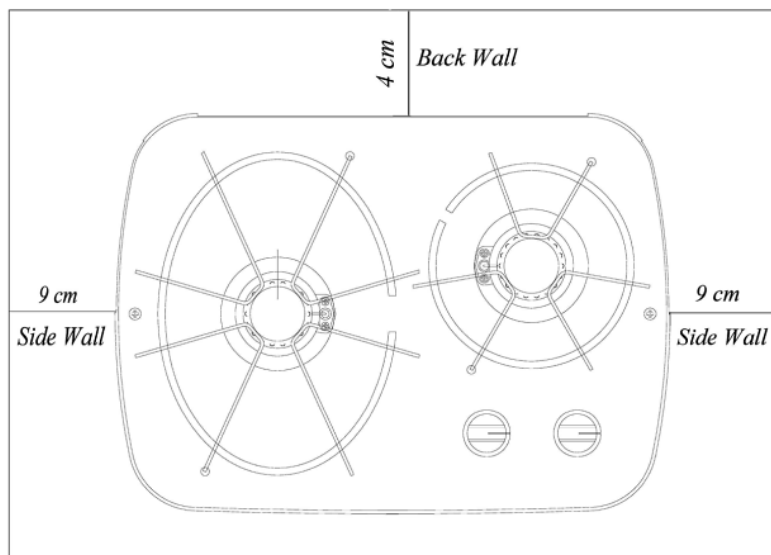


Fig. A

DIMENSIONS DES DÉCOUPES	A	B	C	D	E	F	G
MODELYSN-HT-600	29.2	41.3	9	9	2.5	4	7.1
			◆	◆	◆	◆	◇

◆ Dimension minimale

◇ Profondeur totale de la table de cuisson



Installation

Raccordement du gaz:

Branchez la cuisinière à un tuyau qui est raccordé à l'alimentation principale de gaz du camping car. L'alimentation principale se trouve à l'extérieur, sous le plancher du véhicule. Ne pas utiliser un tuyau de raccordement de gaz existant et déjà utilisé à l'intérieur du véhicule pour alimenter deux appareils en même temps.

Le four et la plaque de cuisson doivent être raccordés séparément, chaque appareil devant avoir sa propre vanne pour rendre les deux appareils indépendants l'un de l'autre.

La plaque de cuisson doit être utilisée uniquement avec du gaz propane. La plaque de cuisson est équipée d'une pièce mâle filetée de type 5 / 8-18UNF. Pour l'installation, utiliser des tuyaux de cuivre et des connecteurs certifiés conformes au CSA ou à l'UL, lesquels sont conformes aux normes de sécurité canadiennes, et américaines.

Il est impératif que la conduite flexible d'alimentation de gaz ne touche aucune pièce mobile une fois que la plaque de cuisson est installée. Prévoir aussi suffisamment d'espace libre, de sorte que le tuyau d'alimentation ne soit pas plié ou endommagé après l'installation.

Vérifier que la connexion en gaz est étanche

Une fois l'installation faite, et avant le montage final, vérifier tous les raccords de tuyauterie pour de possibles fuites de gaz. Ceci est effectué en mettant le système sous pression jusqu'à 13.8WCI, puis en utilisant une solution savonneuse ou un détecteur de fuites de gaz agréé pour vérifier s'il y a des fuites.

Fiche Technique

BTU/HR (,)	Gauche: 7,200 Droite:5,200
Carburant	Gaz Propane (LP Gaz)
Pression d'entrée	10" WCI Minimum à 13,8" WCI Maximum

Dépannage

Important

Consulter cette fiche avant d'appeler un service d'entretien. Ceci vous économisera du temps et de l'argent. Les problèmes courants sont décrits ci-dessous. Ces situations ne sont pas causées par un défaut de fabrication ni par des matériaux défectueux.

Problem	Possible cause/solution
Le brûleur ne s'allume pas	Le bouton de la plaque de cuisson n'est pas exactement sur position LITE. Pousser et tourner le bouton sur la position LITE jusqu'à l'allumage du brûleur, puis tourner le bouton pour ajuster la taille de la flamme.
	Vérifier que le robinet d'alimentation en gaz est ouvert.
	Les orifices du brûleur sont obstrués. Utiliser un fil de petit calibre ou une aiguille pour nettoyer les ports et les fentes du brûleur.
	Vérifier le niveau d'alimentation en gaz de la bouteille de gaz t LP
La pile d'allumage électrique est vide. Dévisser le collier du bouton d'allumage et remplacer la pile AA.	
La flamme ne couvre que la moitié du brûleur	Le brûleur est humide. Sécher complètement.
La flamme ne couvre que la moitié du brûleur	Les orifices du brûleur sont obstrués. Utiliser un fil de petit calibre ou une aiguille pour nettoyer les fentes du brûleur.
	Le brûleur est encore humide après un nettoyage. Ventiler légèrement la flamme et laisser le brûleur fonctionner jusqu'à ce que la flamme couvre complètement le brûleur. Suivre les instructions de la section « entretien » et sécher le brûleur.
La flamme du brûleur est orange	Le brûleur est encore humide après un nettoyage. Ventiler légèrement la flamme et laisser le brûleur fonctionner jusqu'à ce que la flamme couvre complètement le brûleur. Suivre les instructions de la section « entretien » et sécher le brûleur.
	Une flamme légèrement orange est normale en zone côtières, à cause de l'air salé.

Garantie

Votre appareil est couvert par une garantie limitée de un an. A compter de la date d'achat originale et pour une période de un an, YSN Imports paiera les frais de réparation ou de remplacement les pièces de cet appareil qui se révèlent être défectueuses de part des défauts de matériaux ou dans la fabrication lorsque cet appareil est installé, utilisé et entretenu conformément aux instructions fournies.

Exclusions

Cette garantie ne couvre pas les situations suivantes:

1. Les produits dont les numéros de série d'origine ont été enlevés, modifiés ou ne peuvent être identifiés.
2. Les produits qui ont été transférés par leur propriétaire d'origine à une autre partie ou sont situés en dehors des États-Unis ou du Canada.
3. La rouille à l'intérieur ou à l'extérieur de l'appareil.
4. Les produits achetés d'occasion ne sont pas couverts par cette garantie.
5. Les produits utilisés dans un cadre commercial.
6. Les appels de dépannage ne concernant pas un mauvais fonctionnement ou des défauts dans les matériaux ou la fabrication, ou les appareils qui ne sont pas à usage domestique ou ne sont pas utilisés conformément aux instructions fournies.
7. Les appels de dépannage pour changer l'installation de l'appareil ou pour conseiller sur l'utilisation de l'appareil.
8. Les dépenses rendant l'appareil accessible à la réparation, comme enlever des pièces, des étagères, etc., qui ne font pas partie de l'appareil lorsque celui-ci est expédié à l'usine.
9. Les appels pour réparer les boutons, les poignées ou d'autres pièces à usage esthétique.
10. Les frais supplémentaires comprenant, mais sans s'y limiter, toute intervention hors des heures normales de travail, le week-end ou un jour férié, le coût des appels, les péages, les frais de voyage en ferry, ou les frais de déplacement dans des régions éloignées, y compris l'état de l'Alaska.
11. Les dommages causés à l'appareil ou à l'habitation lors de l'installation, y compris, mais sans s'y limiter, les planchers, les cabinets de cuisine, les murs, etc.
12. Les dommages causés par: les services rendus par une entreprise de service non autorisée; l'utilisation de pièces autres que des pièces originelles Flame King ou des pièces obtenues auprès de personnes autres que les sociétés de service autorisées; ou des causes externes telles qu'une mauvaise utilisation, les alimentations gaz ou électrique inadéquates, les accidents, les incendies, ou les cas de force majeure..

Garantie

Le seul et unique recours du client en vertu de cette garantie limitée est seulement la réparation du produit ou son remplacement comme détaillé dans cette garantie. Les demandes basées implicitement sur les garanties, y compris les garanties de qualité marchande ou de mise en usage particulier, sont limitées à un an ou à la période la plus courte autorisée par la loi, tant que celle-ci ne couvre pas moins d'un an. YSN Imports ne sera pas responsable pour les endommagements indirects ou les endommagements accessoires tels que les endommagements matériels et les frais accessoires résultant de toute violation de cette garantie limitée comme écrite, ou de toute garantie implicite. Certains états et provinces ne permettent pas l'exclusion ou la limitation des dommages accessoires ou consécutifs ou de limitations sur la durée d'application des garanties implicites, de sorte que vous n'êtes pas assujetti à ces limitations ou exclusions citées ci-dessus. Cette garantie écrite vous garantit des droits juridiques spécifiques. Ces droits varient d'un état ou d'une province à l'autre.

Conservez votre facture, le bordereau de livraison, ou toute autre preuve de paiement pour établir la période de garantie si une réparation devient nécessaire. Si le service est effectué, il est dans votre intérêt d'obtenir et de conserver tous les reçus. Le service sous garantie doit être obtenu en contactant YSN Imports Inc., DBA Flame King (www.flameking.com)

Les caractéristiques et les spécifications du produit, comme décrites ou illustrées, sont sujettes à changement sans préavis.

Description des pièces

1	Composante trachéale	13	Portoir rond
2	Valve électronique	14	Stand de casserole ovale
3	Fond carré	15	pare-brise
4	Assemblage du brûleur court	16	Charnière longue
5	Valve électronique	17	Et 3.5x3 rivet
6	Assemblage du brûleur long	18	Couverture noire
7	Vanne de régulation	19	Charnière courte
8	Couvercle de soupape de régulation	20	Crochet gauche
9	Panneau de fer inoxydable	21	Crochet droit
10	Tapis en plastique	22	Aiguille d'allumage
11	Vis M5x12	23	Vis M5x6
12	Bouton noir	24	Vis M4x6

Description des pièces

