

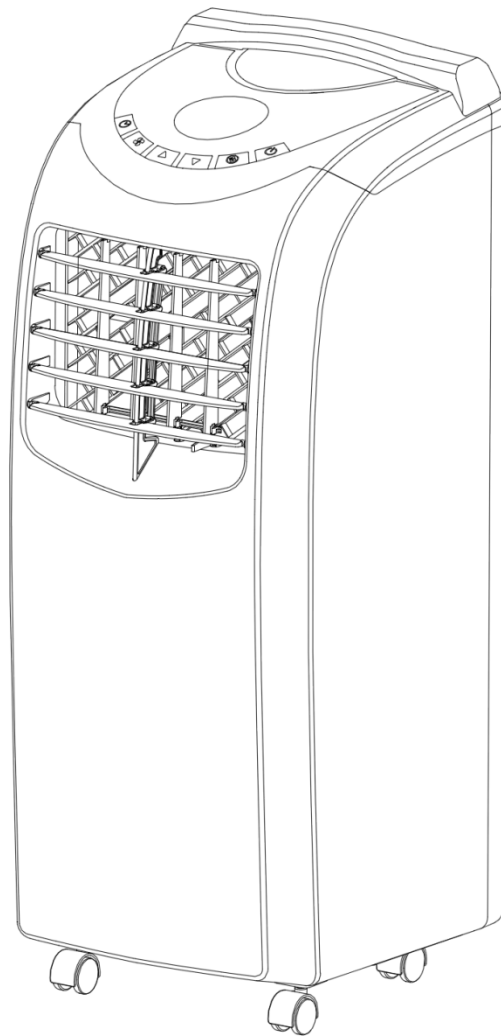


**AIREMAX**

**Portable Air-conditioner**

**APA112C**

**Use and Care Manual**



Thank you very much for selecting this new model of Portable Air Conditioner, please read this Use and Care Manual carefully before installing and using this appliance. Please keep this Use and Care Manual properly for future reference.

# Contents

Safety Instructions.....	2
Functions and Technical Specification.....	4
Features and Identification of Parts.....	4
Operation and Settings.....	5
Protection.....	9
Handling and Transportation.....	10
Installation and Adjustment .....	10
Drainage Instruction.....	13
Maintenance and Service.....	14
End of Season Storage .....	15
Troubleshooting.....	16
Appendix.....	17
Warranty terms and conditions.....	18

# Safety Instructions

## 1. Electrical Specifications

1. All wiring must comply with local and national electrical codes and be installed by a qualified electrician. If you have any questions regarding to the following instructions, contact a qualified electrician.
2. The unit must be installed in accordance with national wiring regulations. Check available power supply and resolve any wiring problems before installation and operation of this unit.
3. For your safety and protection, this unit will be grounded through the power cord plug when plugging into a matching wall outlet. If you are not sure whether the wall outlet at your home are properly grounded, please consult an electrician. If supply cord is damaged, it must be replaced by the manufacturer, its service agent or similarly qualified person in order to avoid any hazards.
4. This appliance is not intended for people (including children) with reduced physical, sensory or mental capabilities, or lack of experience and knowledge, unless they have been given supervision or instruction concerning use of the appliance by a person responsible for their safety. Young children should be supervised to ensure that they do not play with the appliance

## 2. WARNING:

To reduce the risk of fire, electrical shock or injury when using your air conditioner, follow up these basic precautions:

- ※ Indoor use only, it is prohibited to use this unit outdoors or in humid environment such as bathroom etc.
- ※ Do not remove ground prong.
- ※ Do not use an adapter.
- ※ Do not use an extension code.
- ※ Never share the power outlet with other appliances.
- ※ Never connect or disconnect the power plug with wet hands to avoid electric shocks.
- ※ Never turn off the unit by unplugging.
- ※ Unplug air conditioner before servicing.
- ※ Never dismantle, repair or modify the unit without authorization to avoid body injury or property damage, be sure it repaired by manufacturer or professionals.
- ※ Never put any objects into the unit.
- ※ Never cover or obstruct air inlet or outlet to prevent overheating.
- ※ Never hit or shake the unit to prevent damage.
- ※ Never spray water or place the unit near water to prevent electric shocks.
- ※ Never place the unit near gas appliances, fire or flammable liquids.
- ※ Move and install the unit by two or more people.
- ※ Keep children away from the unit.
- ※ This appliance can be used by children aged from 8 years and above and persons with reduced physical, sensory or mental capabilities or lack of experience and knowledge if they have been given supervision or instruction concerning use of the appliance in a safe way and understand the hazards involved. Children shall not play with the appliance. Cleaning and user maintenance shall not be made by children without supervision

### **3. Cautions:**

- ※ Keep the unit at least 1 meter away from TV or radios to avoid electromagnetic interference.
- ※ Do not expose the unit under direct sun light to avoid surface color fading.
- ※ Do not tilt the unit for more than 35 degrees or upside-down while transporting.
- ※ Place the unit on a flat surface and upright with less than 5 degrees inclination.
- ※ The unit operates more efficiently in certain room locations (see Installation and Adjustment).
- ※ Keep the drain hose in good condition without flexure then connect with unit.
- ※ Manually adjust the vertical and horizontal louvers slightly to protect louvers from any damage.
- ※ Empty the condensed drainage pan before putting the unit in storage to prolong the unit lifetime end of the season.
- ※ Do not use chemical solvents (e.g. benzene, alcohol-glazer) to clean the unit surface, do not scratch or damage the unit.
- ※ Make sure to cut off the power before disassembling or installing the filter.

## Function and Technical Specification

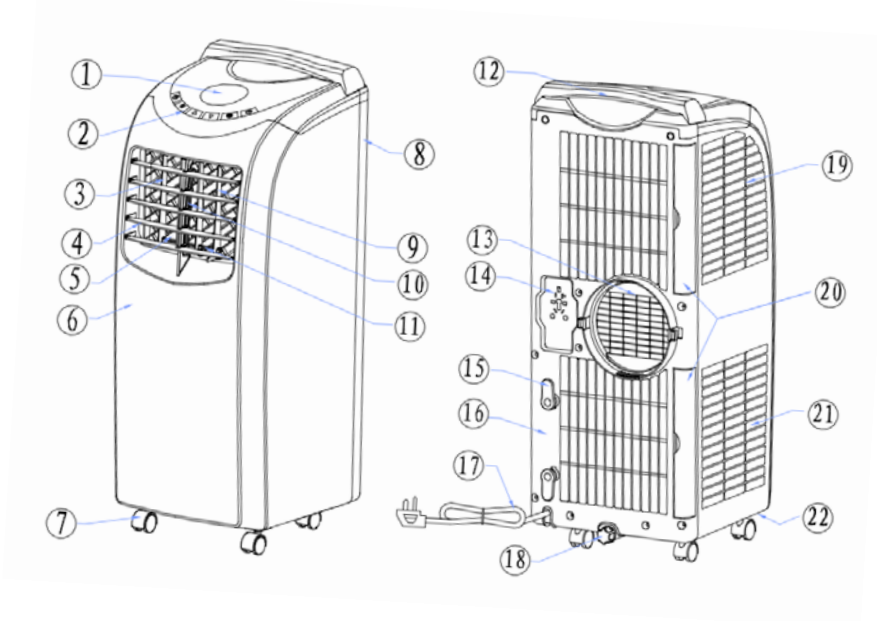
- ※ This unit offers cooling, dry, fan and sleep modes, idea for home and office use;
- ※ This unit is with two fan-speed levels accessible by panel control and remote control.
- ※ Temperature setting range of this unit is 62.6-86°F(17-30°C).
- ※ This unit is designed with various protection functions such as 24-hour programmable timer, auto condenser circle, super intelligent temperature sensor and water-full control and warning etc.

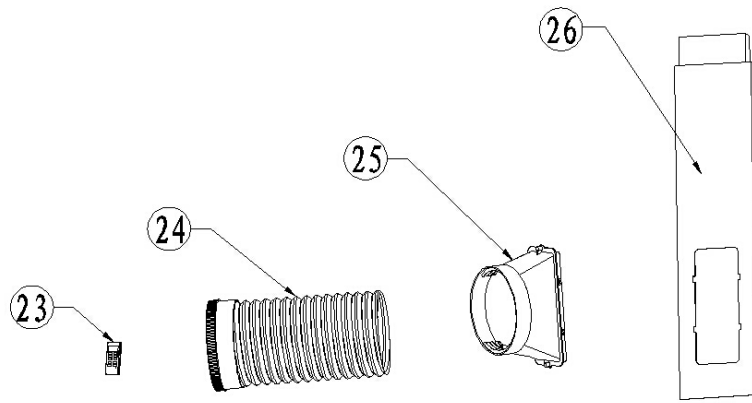
## Features and Identification of Parts

### 1. Features

- ※ New appearance and compact design.
- ※ Both horizontal and vertical louvers can be manually adjusted to enhance cooling performance.
- ※ Humanized pushing handle design.
- ※ Remote control and LED panel control, more visualized.
- ※ Power cord winding pillar with universal plug fixing holes to well protect the power cord.
- ※ High position of exhaust air outlet, easy assembly and exhaust air venting quickly.
- ※ 24-hour timer function, unique on/off reminding music.
- ※ 3-minute delay re-starting protection to compressor and other multiple protection functions.
- ※ Unique exhaust hose and fasteners design, convenient installation.

### 2. Identification of Parts:



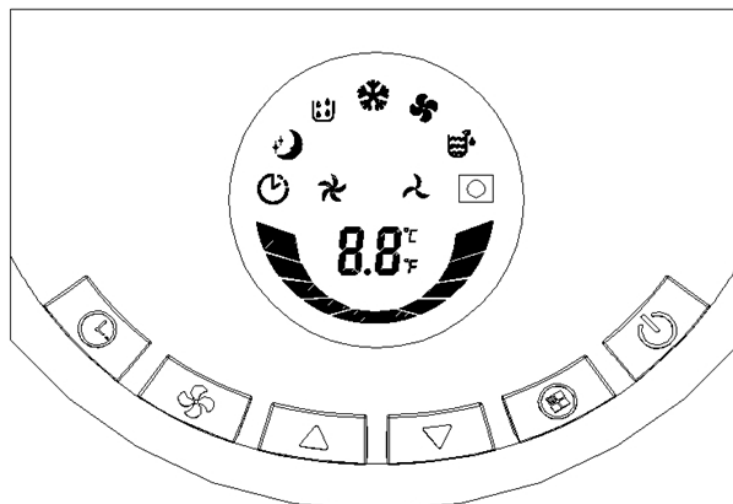

















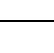
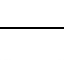
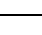
- |   |                                 |
|---|---------------------------------|
| 1. LED Display                            | 14. Universal plug fixing holes |
| 2. Operational Buttons                    | 15. Wire winding pillar         |
| 3. Vertical louvers                       | 16. Back Panel                  |
| 4. Horizontal louvers                     | 17. Power cord                  |
| 5. Air Outlet Window                      | 18. Drain hole and cover        |
| 6. Front Panel                            | 19. Filter                      |
| 7. Universal Wheel                        | 20. Filters                     |
| 8. Back Panel                             | 21. Filter                      |
| 9. Main Vertical Louver                   | 22. Chassis                     |
| 10. Horizontal louvers connecting rod     | 23. Remote controller           |
| 11. Vertical louvers connecting rod       | 24. Exhaust hose assembly       |
| 12. Handle                                | 25. Exhaust hose adapter        |
| 13. Protective Grid of exhaust air outlet | 26. Window Seal-Plate Assembly  |

## Operation and Setting

This section explains proper mobile air conditioner operation



1. Control Panel




	On/Off button		Mode button		Up button
	Timer button		Fan speed button		Down button
	Timer indicator		High speed indicator		Low speed indicator
	Water-full indicator		Fan mode indicator		Dehumidify mode indicator
	Cool mode indicator		Sleep mode indicator		Remote control signal receiving window
	LED display window		Operation indicator		Celsius/ Fahrenheit temperature indicator

2. Control Panel Operation: This unit is with Cool, Dehumidifying, Fan and Sleep modes operations.

1) Turn on the unit.

- Plug in and all indicators light up on control panel and reminding music will be on, LED display window will show ambient temperature with range 50-95°F(10- 35°C), unit is standby for operation.
- Press  button, unit is on with reminding music sounded, and operates in Cool mode automatically, temperature set 75.2°F(24°C), fan runs at high speed, and  will light up.

2) Select operating mode

Press  button to select a desired mode shown below, and its corresponding indicator will light up.





Under cooling mode, press “Timer” + “” buttons together, the unit auto run in “Sleep” mode.

3) Adjust temperature

The temperature can be set within range of 62.6-86°F(17-30°C).

Press  or  button to increase or decrease the temperature 1.8°F(1°C) by pressing once.

Press  and  buttons together to convert Celsius degrees and Fahrenheit degrees and corresponding indicator will light up.

4) Adjust fan speed

Press  button to select a desired fan speed shown below



5) Stand-by

Press  button once again, the unit will stop working with reminding music sounded.

**Notice: working principle and function of each mode:**

1. Cool mode:

- When room temperature is 1.8°F(1°C) higher than set temperature, the compressor and fan will start to run.
- When room temperature is 1.8°F(1°C) lower than set temperature, the compressor will stop working and fan keep running at original speed.
- The temperature can be set within a range of 62.6-86°F ( 17-30°C ) and fan speed can be adjusted to high or low level.
- Unit On/Off time can be set.
- E1, E2 & E4 protection available (see Troubleshooting).
- Water-full warning function.

## 2. Fan mode:

- Fan runs at set speed, and compressor will not work.
- Fan speed can be adjusted.
- Room temperature will automatically show in LED display with range 50-95°F ( 10-35°C ) .
- Room temperature can't be adjusted.
- Unit On/Off time can be set.

## 3. Dehumidify mode:

- Fan will run at low speed automatically, and fan speed can't be adjusted.
- Room temperature can't be adjusted.
- Room temperature will automatically show in LED display with range 50-95°F ( 10-35°C ) .
- Unit On/off time can be set.
- E1、 E2 & E4 protection available (see Troubleshooting).
- Water-full warning function.

## 4. Sleep mode:

- Under cooling mode, press “Timer” + “ ▼ ” buttons together, unit will auto run “Sleep” mode.
- Fan will be to low speed automatically and can't be adjusted.
- Room temperature is adjustable. Set temperature will increase 1.8°F ( 1°C ) when unit running after 2 hours, increase 1.8°F ( 1°C ) again after another 2-hour working, then temperature will be unchanged further.
- Room temperature will automatically show in LED display with range 50-95°F ( 10-35°C ) .
- On/Off time can be set.
- E1, E2 & E4 protection available (see Troubleshooting).
- Water-full warning protection.

## 5. Timer Operation

- Press “Timer” button to set automatic OFF time when unit is running, Timer indicator will light up.
- Unit will be off automatically when the set time is ready, and timer indicator is off, room temperature will show on LED display window.
- Press “timer” button to set automatic ON time when unit is off, Timer indicator is will light up.
- Unit will turn on automatically and working at original mode when the set time is ready, timer indicator will be off, room temperature is show on LED display window.
- When press “Timer”, Timer indicator will light up, 88 in LED display window will flash at 0.5 second frequency, press ▲ or ▼ button within 5 seconds to finish timer setting, set time will flash 5 seconds for confirmation,

then room temperature will show in LED display window.

- Press “Timer” to check time remained when “Timer” function is on; Press “Timer” twice within 5 seconds to cancel timer.
- Only final time setting is effective if repeated setting.
- The time can be adjusted within a range of 1-24 hours, press ▲ or ▼ buttons, to increase or decrease 1 hour by pressing once.
- Unit will not change working mode after timer set. Timer will not stop by other functions.
- Timer will be ineffective if any operation from control panel or remote control to turn on or turn of the unit.

### 3. Remote Control Operation

The Remote control transmits the signal to system.

**Power Button**, press this button to start unit when it is energized or stop the unit when it is in operation.

**Timer Button**, press this button to set unit automatic on and off time

**High Button**, press this button to select high speed of fan running (except dry and sleep modes)

**Low Button**, press this button to select low speed of fan running.

**TEMP UP Button**, press this button to increase temperature or timer setting.

**TEMP Down Button**, press this button decrease temperature or timer setting.

**°C/°F Button**, press this button to make Celsius degrees and Fahrenheit degrees interchange.

**Cool Button**, press this button to select “Cool” mode.

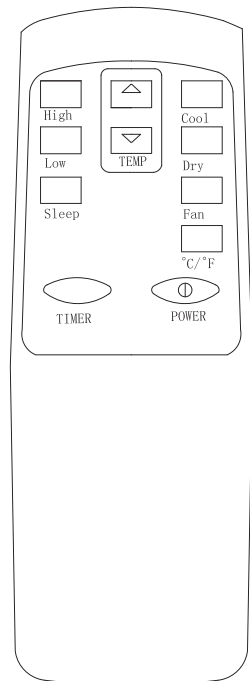
**Fan Button**, press this button to select “Fan” mode

**Dry Button**, press this button to select “Dry” or “dehumidifying” mode

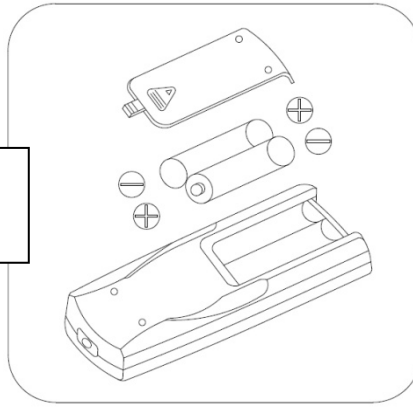
**Sleep Button**, press this button to select “Sleep” function under cooling mode.

### Before using your remote, install the AAA batteries into remote control.

1. Press and slide the battery cover on the back of the remote control, then you can remove the cover.
2. Insert two new alkaline AAA batteries into the battery compartment. Be sure to note the proper polarity.
3. Reattach the battery cover and make sure the locking tab clicks into place.



Be sure to note proper polarity of batteries



#### Notes:

- Use alkaline batteries only. Do not use rechargeable batteries.
- When replace batteries, always replace both batteries with new batteries, do not mix old and new batteries.
- If air conditioner will not be used for an extended period of time, remove the batteries from the remote control.

#### CAUTION:

- If the liquid from the batteries gets onto your skin or clothes, wash it well with clean water, do not use the remote control if the batteries have any leakage.
- If you eat the liquid from the batteries, brush your teeth and see doctor. The chemicals in batteries could cause burns or other health hazards.


## Multiple Protection Functions

### 1. Anti-freeze protection function:

Compressor, water spraying motor will turn off under cooling mode when compressor continuously running over 10 minutes and tube temperature (Tp) is continuously  $\cong 35.6^{\circ}\text{F}$  ( $2^{\circ}\text{C}$ ) for 20 seconds under cooling mode, E4 will show in LED display window, the unit initiates the anti-frost protection process and all buttons (except for power button) are inactive.

Once the tube temperature  $\cong 46.4^{\circ}\text{F}$  ( $8^{\circ}\text{C}$ ), the protection is relieved to recover into original status, and compressor apply to 3-minute delay protection.

### 2. Water-full safety alarm and shut –off protection function:

Warning sounds when the water volume reached its alarm level in water tank, and unit is automatically stop working, water-full mark  and “FL” is flashing on LED window. You need to drain the condensate for unit to automatically recover operation. (For more information about how to drain, refer to the “Drainage Instruction” please).

### 3. Delay protection function of compressor

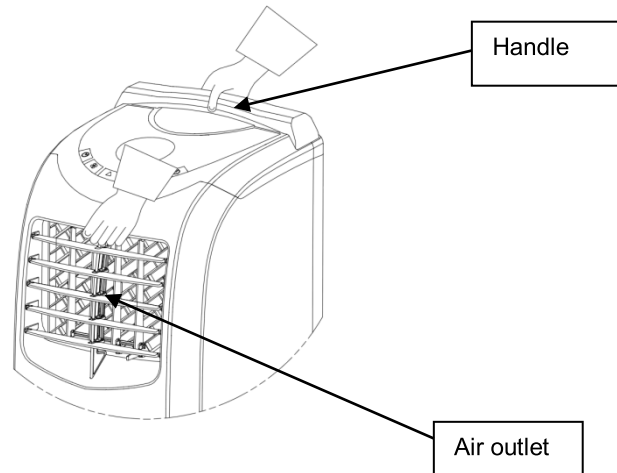
This unit offers restart protection to compressor. Except that the compressor may start immediately when the unit is energized first time, there is 3-minute delay restart protection after compressor is shut down.

## Handling and Transportation

Hold the top of the air outlet in front panel with one hand and the handle at the top of back panel with another hand to move the unit in upright position

Notes:

- Do not hold the horizontal louvers by hand.
- Make the unit in the upright position whatever handling or moving it.
- Drain the water in the unit completely to prevent water leakage or wet the floor or carpet before handling or moving the unit.



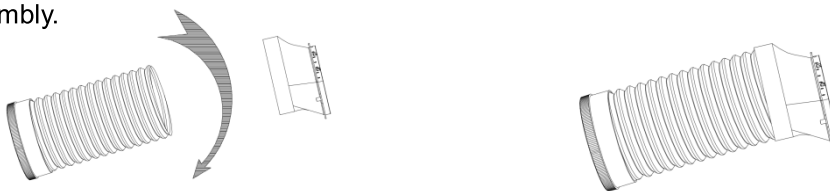
## Installation & Adjustment

**Warning:**

- Keep this mobile air-conditioner in upright position at least 2 hours before first installation.
- Keep the unit in upright position while moving it. The air-conditioner shall be placed at flat surface.
- Do not install or operate this air-conditioner in bathroom or other wet environments.

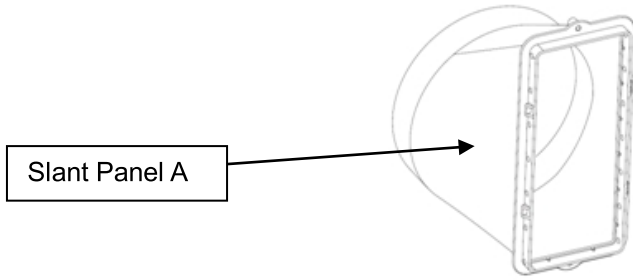
### 1 Installation of exhaust hose assembly.

- Extend the exhaust hose, screw the round connector and adapter into exhaust hose by counter clockwise direction.
- Screw connector and adapter into right positions, at least 3 laps, to keep good connection of exhaust hose assembly.

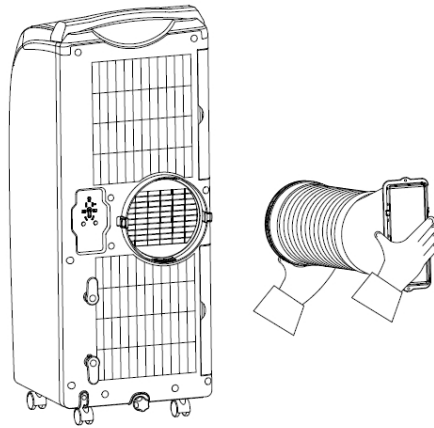


### 2 Installation of the exhaust hose assembly into unit

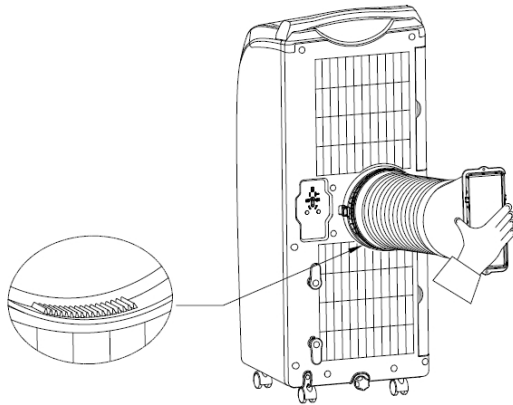
- Determine window seal-plate position, vertical or horizontal direction.
- If window seal-plate will be in horizontal position, the slant panel A of adapter should be up towards.
- If window seal-plate will be in vertical position, and will be at left side of window, the slant panel A of adapter should be at right direction
- If window seal-plate will be in vertical position, and will be at right side of window, the slant panel A of adapter should be at left direction.



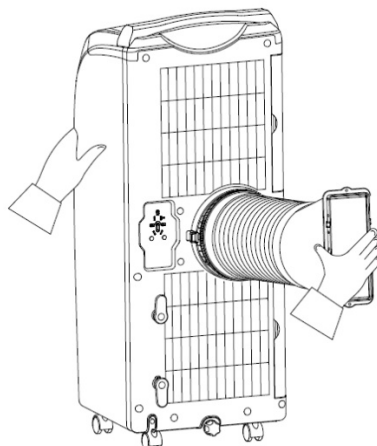
- Take two ends of exhaust hose and adapter assembly.



- Put front end of exhaust hose onto jugged position of exhaust outlet of back panel.



- Hold the unit by one hand, carry the exhaust hose assembly with another hand and push it into unit gently, fasteners will lock automatically.



### 3 Installation of window seal-plate

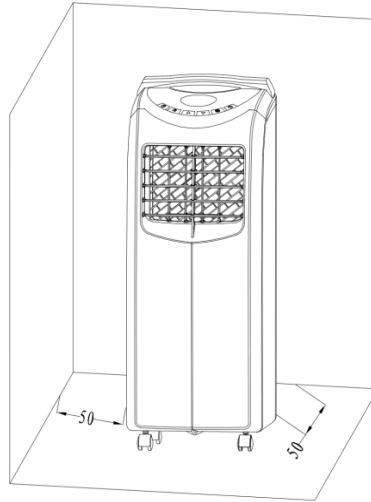
- Open the window in half, put the seal-plate into window,
- Extend seal plate parts and adjust it to the length of window, fix it with screws then.

#### Remarks:

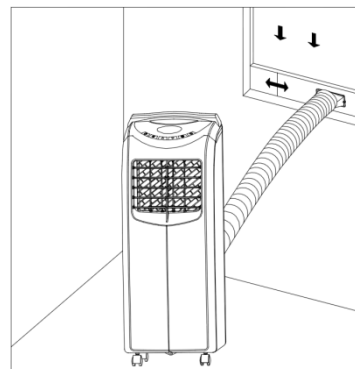
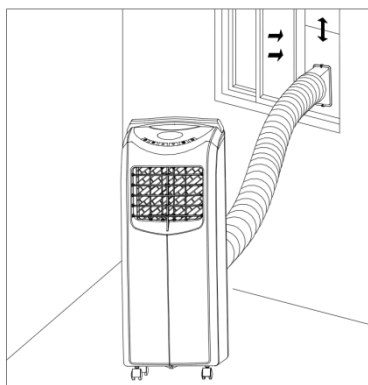
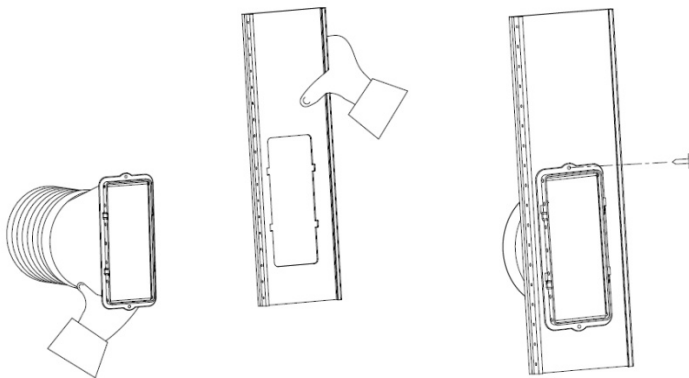
- Keep two ends of window seal-plate to meet the window edges well, to assure seal effect.
- Turn the screw in good position.

### 4. Installation of the unit

- Move the unit installed exhaust hose assembly in front of the window and keep the unit at least 50cm away from the walls or other objects.



- Install the rectangle end of exhaust hose assembly into the corresponding rectangular hole in window seal-plate, then fix with screw and close the window.



### Remarks:

- Slide the adapter downwards and assure adapter installed in good position.
- Lock the screw tightly to avoid fall off.
- Exhaust hose can't be bent or with flexure higher than 45°, in order to keep good ventilation.


### Important notes:

The exhaust hose is 280mm-1500mm long and which is determined by the specification of the air-conditioner (s). Do not use prolonged the hose or replace it with other different hoses as this may affect the functions of the air-conditioner. The exhaust hose must be smooth or it may lead air-conditioner overheat and trip because exhaust hose is obstructed.

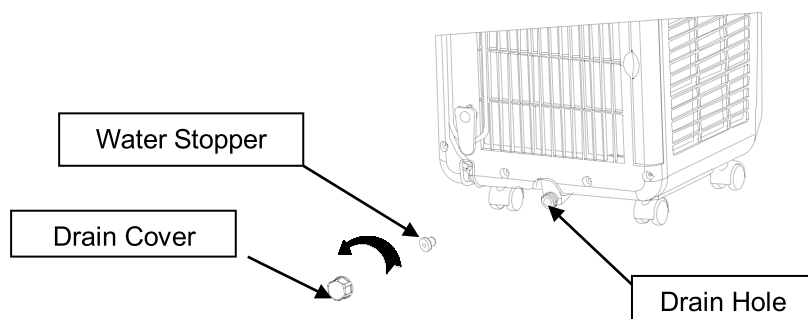
## Drainage Instruction

### 1. Manual drain:

When the water volume reached its alarm level in water tank, warning sounds and unit is automatically stop working,

water-full mark  and "FL" is flashing on LED window. Please drain the condensate according to below instruction for unit to automatically recover operation.

- 1) Put the tray below water outlet at the back of the unit.
- 2) Screw off the drain cover, unplug the water stopper for water flow into the tray.
- 3) Plug in stopper and screw the water cover tightly onto water outlet after drainage.

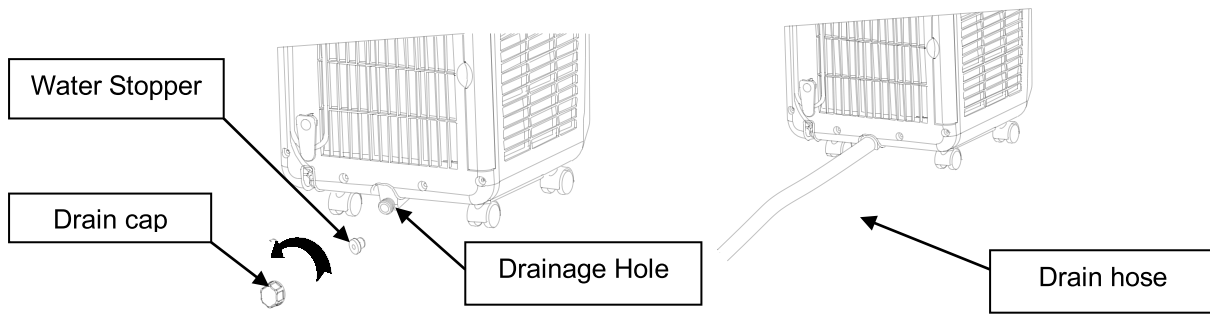


### Notes:

- Protect the drain cover and water stopper properly.
- Move the unit carefully to avoid the leakage if it is necessary.
- Tilt the unit slightly backwards when draining.
- Block the drain hole as soon as possible before the tray is full if it can't hold all water in the unit to prevent the water leakage and wet the floor or carpet.
- Water stopper and drain cover must be tightly installed, to avoid new condensate to wet the floor or carpet when the unit re-starts working.

### 2. Continuous drain

- 1) Screw off the drain cover and unplug the water stopper.
- 2) Connect drain-hole with  $\phi 13\text{mm}$  PVC drain hose, as deep as possible to avoid leakage.
- 3) Pull the drain hose to bathroom or outdoor.



Notes:

- Drain hose must be installed before unit starts working.
- It is suggested to use manual drainage when unit in cooling mode, to ensure enough water to recycle in the unit to cool condenser and enhance cooling performance.
- Put the drain hose in an inaccessible place, not higher than drainage hole and keep drain hose straight without any flexure.
- Keep the drain cover and its stopper properly installed when continuous drainage is adopted.

## Maintenance and Service

**Remark: Turn off the unit and pull out the plug before maintain or send the unit to service center.**

### 1. Surface cleaning

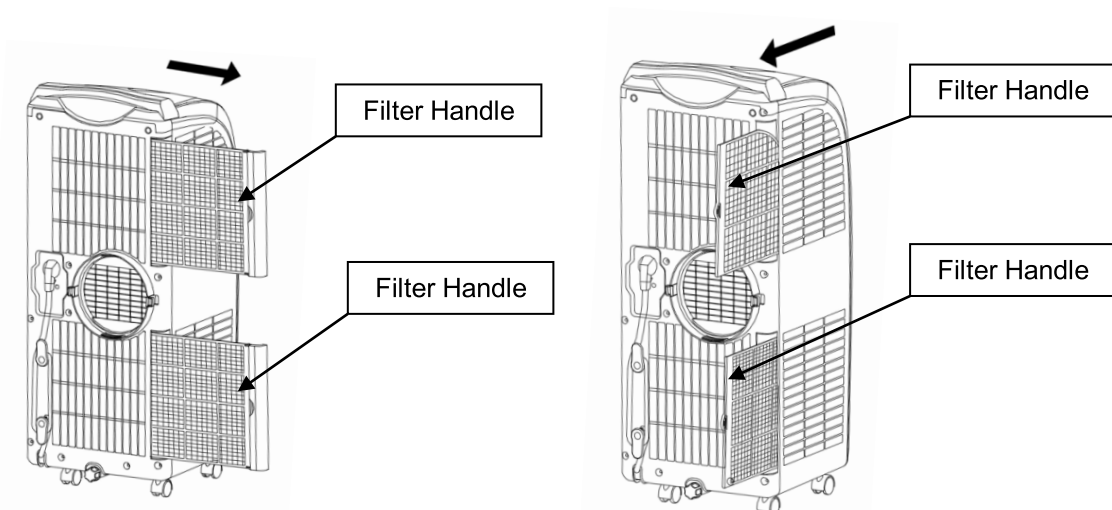
Clean the unit surface with wet and soft cloth, but do not use chemical solvents such as alcohol or gasoline to avoid damage to unit.

### 2. Filter cleaning

Clean the filter every two weeks, otherwise it would influence the unit function if filter clogged with dust.

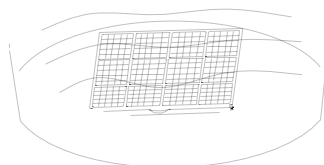
#### 2.1. How to clean filter

- 1) Grip the filter handle and take it out gently in correct direction shown by the arrow.



Notes:

- Use even force to take out the filter.
  - Filters at back panel at priority then filter at side panel, to avoid any twist or damage to filter.
- 2) Clean the filters gently in warm water (about 104°F (40°C) ) mixed with detergent then dry them in the shade.



Notes:

- Do not squash the mesh.
- Do not hit the mesh with sharp objects or brush.

## 2.2 Installation of the filter

Aim the end of the filter toward to slot then push it gently into slot in even force.

### **Special note:**

- **Be sure to install the filters to side panel at first then install the filter into back panel.**
- Install the filter with opposite direction of removal.
- Install the filter into place gently to avoid any damage to filter.

## **End of Season Storage**

1. Screw off the drain cover, pull out the stopper to drain water completely.
2. Keep unit running in fan mode with half day to dry inside completely to prevent it from going mouldy.
3. Turn off the unit, pull out plug then wrap the power cord around the wire-winding pillar, insert the plug into the universal fixing hole at the back panel of the unit, install the water plug and drain cap.
4. Remove the heat exhaust hose assembly, clean and keep it properly.
5. Pack the air-conditioner properly with soft plastic bag and put it in dry place with appropriate dust-proof measures, and keep the unit away from children.
6. Take out the batteries from the remote control and keep it properly.

Note:

- The tilt angle of unit must be less than 30degrees.
- Hold the exhaust hose assembly with both hands when removal.
- Push the fasteners aside on exhaust air outlet using your thumbs, then pull out exhaust hose assembly.
- Assure the unit is stored in a dry place. All accessories of the unit shall be properly protected together.

## Troubleshooting

Please check unit and suggestions below before asking for professional service, but never dismantle or repair the unit by yourself, it may cause harm to you and your property.

Trouble	Cause	Remedy
The unit fails to start up	Power supply failure	Connect the unit to a live socket and turn it on.
	Water-full and its indicator lighting	Drain the water stored in the unit.
	Ambient temperature too low or too high?	It is recommended to use this unit between 50-95°F (10-35°C) .
	The room temperature is lower than the set temperature in cooling mode.	Change the set temperature
Bad cooling effects	There is direct sunlight	Close the curtain
	The doors and windows are open, the room is crowded or there are other heat sources	Close the door and window, remove other heat sources, and add new air-conditioners
	Dirty filter	Clean or replace the filter mesh
	Air inlet or air outlet clogged	Remove the obstruction
High noise level	The unit is being placed at uneven surface.	Put the unit at a flat and firm place (may reduce noise)
The compressor does not work	Initiation of overheat protection.	Wait until the temperature decrease, the unit will re-start automatically
The remote control does not work	Too long distance	Bring the remote control close to the air-conditioner and ensure aims at signal receptor on unit.
	The remote control didn't aim at signal receptor on unit.	
	The batteries have no electricity	Replace the batteries
LED displays error code "E1"	Tube temperature sensor failure	Check the tube temperature sensor and related circuits
LED displays error code "E2"	Room temperature sensor failure	Check the room temperature sensor and related circuits
LED displays error code "E4"	Anti-freeze protection	Restore the functions automatically once anti-freeze protection is over.
Water-full indicator lights	The water in chassis is full	Drain the water and re-start he unit

## Appendix

For specific technical parameters of the model, refer to rating label on the product.



### Correct Disposal of this product

This marking indicates that the product should not be disposed with other household wastes throughout the USA. To prevent possible harm to the environment or human health from uncontrolled waste disposal, recycle it responsibly to promote the sustainable reuse of material resources. To return your used device, please use the return and collection systems or contact the retailer where the product was purchased. They can take this product for environmental safe recycling.



**AIREMAX**

## **Warranty Terms & Conditions**

Question about your product? We are here to help.

Visit us at: [www.airemaxusa.com](http://www.airemaxusa.com)

Or call our Customer service hot-line: **1-855 475 9647**

### **PRODUCT WARRANTY INFORMATION**

**Under normal operations, the product will guarantee a 1-year full warranty provided by AIREMAX (effective from the date of purchase).**

In Order to Make a Warranty Claim During the First 90 Days from the Date of Original Purchase:

1. Properly pack your unit. We recommend using the original carton and packing materials.
2. Include in the package a copy of the sales receipt or other evidence of date of original purchase. Also print your name and address and a description of the defect.
3. Pictures may be required for some returns to ensure an item is not damaged prior to its return.

Customer should always follow the operating instructions. The warranty does not apply to:

1. Labor costs for on-site installation, check-up, repair, replacement of parts and other transportation costs.
2. Damages caused by accidents of any kind (including material transfer and others)
3. Operating failures resulting from applying incorrect voltage, improper usage, and unauthorized installations or repairs.

This warranty is invalid if:

1. The product is used for any commercial or or industrial purposes.
2. The product is repaired or modified by unauthorized personnel, or unauthorized parts are installed.
3. The serial No. is modified, damaged, or removed from the product.

### **⚠ WARNING**

**Manufacturer and seller expressly disclaim any and all liability for personal injury, property damage or loss, whether direct, indirect, or incidental, resulting from the incorrect attachment, improper use, inadequate maintenance, or neglect of this product.**