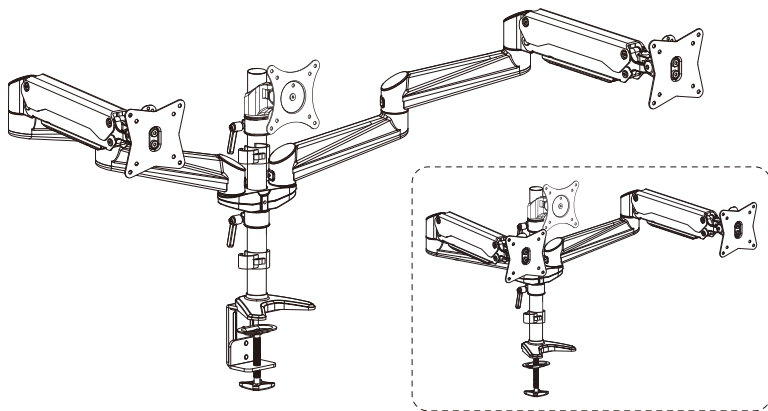


HUANUO

Gas Spring Aluminum Monitor Desk Mount Instruction Manual

V10.0(A)



Model: HNTS3S/HNTS3B/HNTS3W

Thank you for choosing this HUANUO product! At HUANUO we strive to provide you with the best quality products and services in the industry. Should you have any issues, please don't hesitate to contact us at

Technical Support:

(US/CA)1-800-556-0533 Mon-Fri 8am – 8pm(CST)

(UK)44-808-196-3874 Mon-Fri 2pm – 10pm(UTC)

Other Info:

support@huanuoav.com

Website: www.huanuoav.com

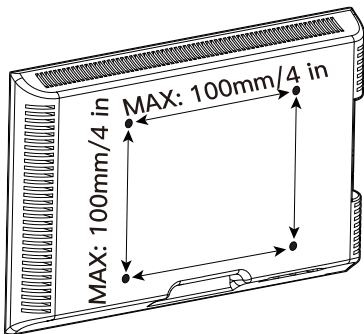
IMPORTANT SAFETY INFORMATION

• Please carefully read all instructions before attempting installation. If you do not understand the instructions or have any concerns or questions, please contact our customer service at support@huanuoav.com.

CAUTION: Avoid potential personal injuries and property damage!

- Do not use this product for any purpose that is not explicitly specified in this manual. Do not exceed weight capacity. We are not liable for damage or injury caused by improper mounting, incorrect assembly or inappropriate use.
- This product contains a high pressure gas spring, fire and percussion prohibited. Also it is strictly prohibited to dismantle without professionals. Please return to the manufacturer or hand over to professional agencies if the product is abandoned.
- The desk must be capable of supporting three times the weight of the total load (the mount, the monitor and all accessories weight). Don't use the product on particle board.

Check the VESA Pattern of Monitor before the Installation



75 mm \approx 2 7/8 in
100 mm \approx 4 in

Minimum VESA Pattern:
75mm/3 in (W) x 75mm/3 in (H)

Weight Restrictions

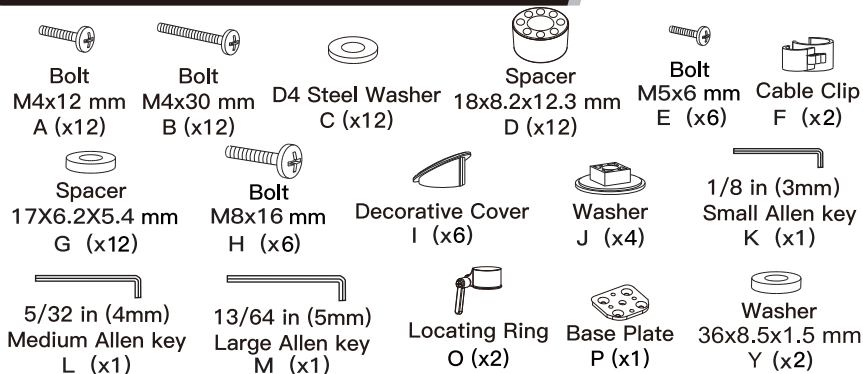


⚠ WARNING:

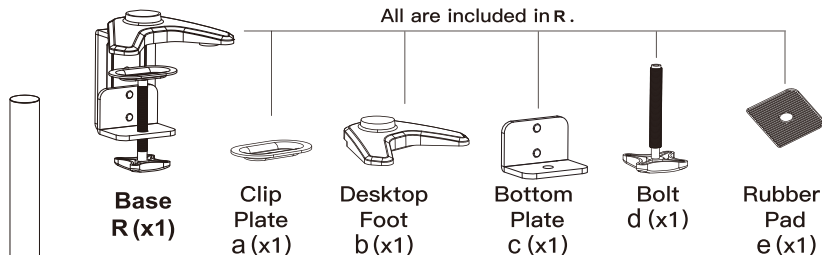
DO NOT exceed the maximum weight indicated. This mounting system is intended for use only within the maximum weights indicated. Use with products heavier than the maximum weights indicated may result in failure of the mount and its accessories, causing possible injury.


If your monitor weighs more, this mount is NOT compatible.

SUPPLIED PARTS AND HARDWARE

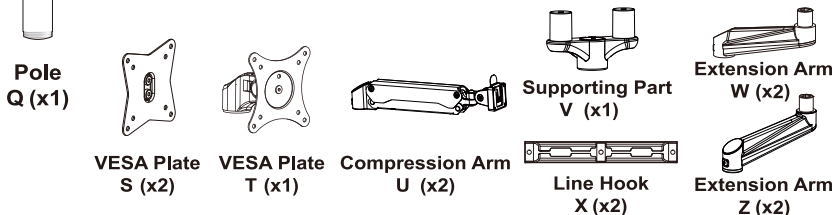


All are included in R.

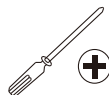



Set Screw (Spare)
M6x6 mm
N (x2)

Note: The set screws [N] are spare screws which can be used if the preassembled set screws on the arms [W] and compression arms [U] are missing.



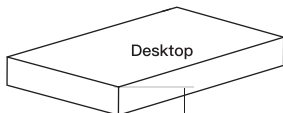
TOOL REQUIRED NOT INCLUDED



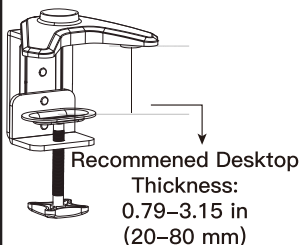
Step 1 Install the Base

A For Clamp Mounting

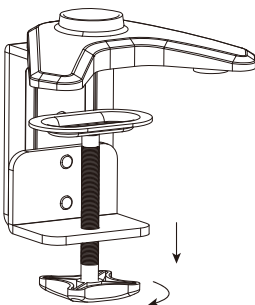
1. Measure the thickness of desktop



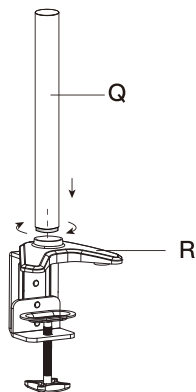
2. For desktop with thickness within 0.79–3.15 in (20–80 mm)



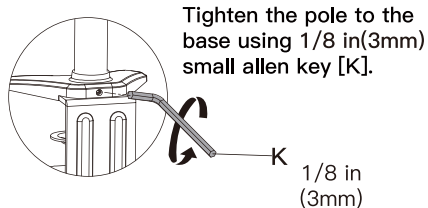
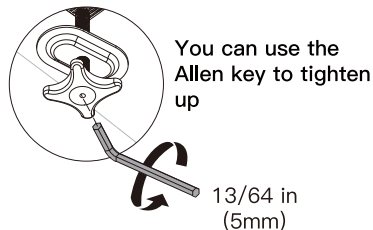
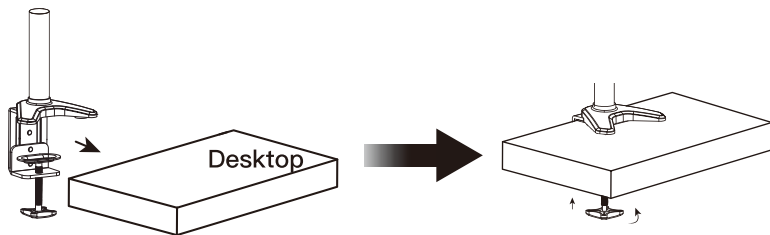
2-1. Adjust the base according to the thickness of desktop



2-2. Connect the pole [Q] to the base [R]

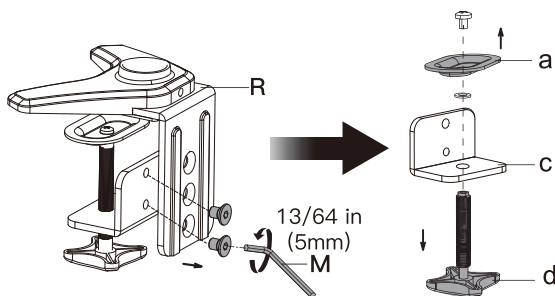


3. Secure the base assembly to the desktop

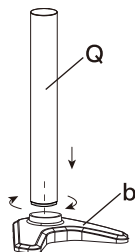


B For Grommet Mounting

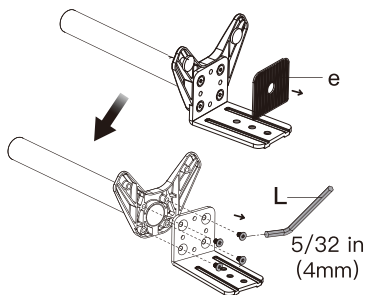
1. Detach the base [R] entirely



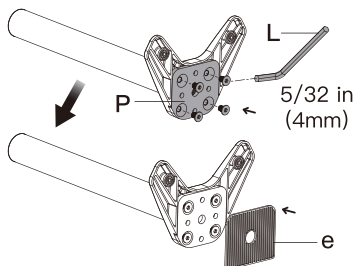
2. Connect the pole [Q] to the desktop foot [b]



3. Keep the rubber pad [e] and 4pcs preassembled bolts for next step when detaching the base

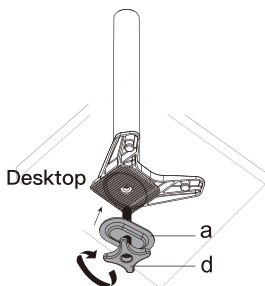


4. Install base plate [P] and rubber pad [e] to desktop foot with 4pcs bolts

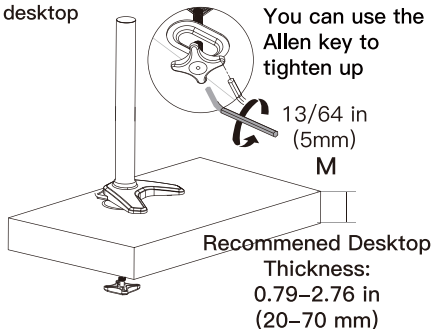


Attach rubber pad [e] to bottom plate.

5. Install the pole assembly with bolt [d] and clip plate [a]

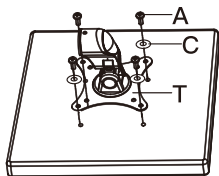


6. Secure the pole assembly to the desktop

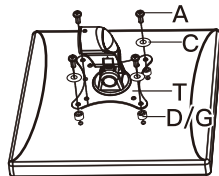


Step 2 Secure the Arm Assembly to the Pole Assembly

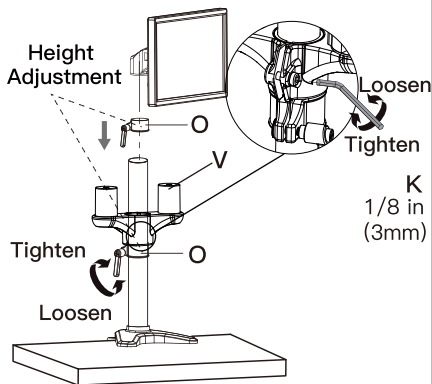
Flat back monitor



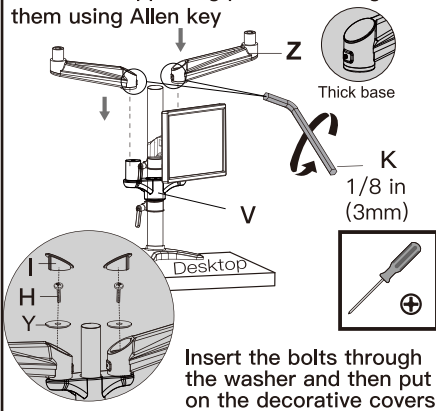
Round back monitor



Step 2-1 Slide the locating ring [O], supporting part [V], locating ring [O] and monitor in sequence to the pole

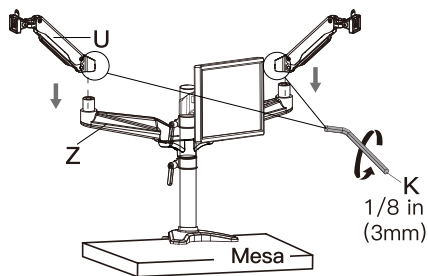


Step 2-2 Slide the two extension arms [Z] to the supporting part [V] and tighten them using Allen key



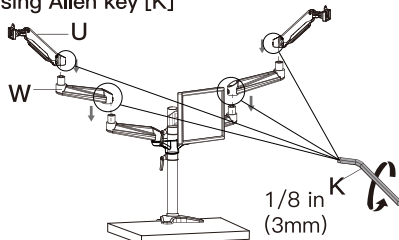
If the monitors are 24 in or smaller

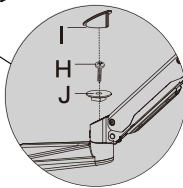
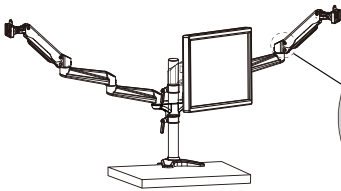
Attach the two compression arms [U] to the two extension arms [Z] and tighten them using Allen key [K]



If the monitors are larger than 24 in

Attach the other two extension arms [W] to the preassembled extension arms, then attach the compression arms [U] to the extension arms [W] and tighten them using Allen key [K]





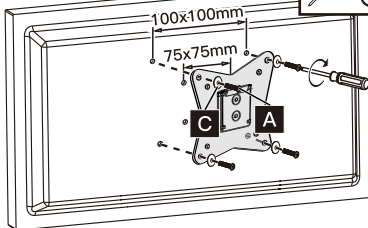
Insert the bolts through the washers and then put on the decorative covers.



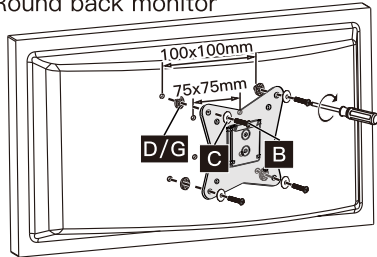
Step 3 Attach the VESA Plates to the Monitors

3-1 Choose Proper bolts

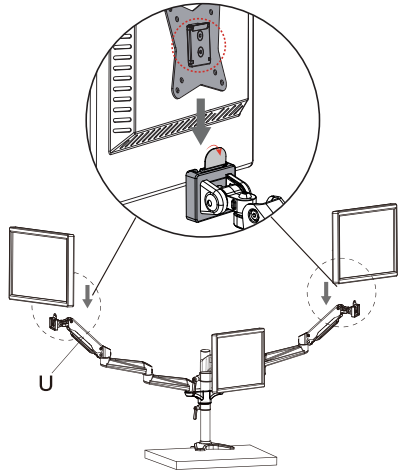
Flat back monitor



Round back monitor

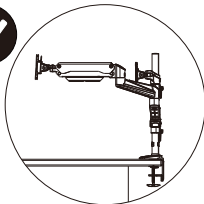


3-2 Install Monitors to the compression arms [U]

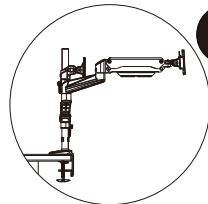
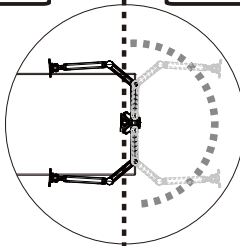


Step 4 Rotation Restriction

Proper usage directions

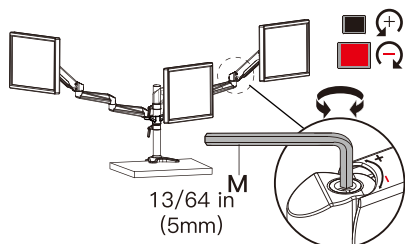


Non-proper usage directions



Step 5 Adjustments

Gas Spring Adjustment

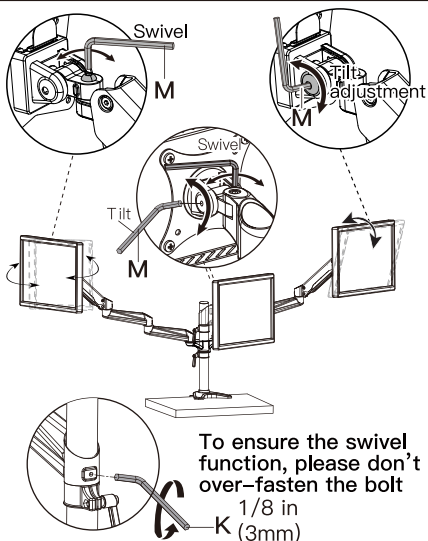


NOTE: Turn clockwise to reduce tension for lighter monitors and counter-clockwise to increase tension for heavier monitors. Keep adjusting until monitor can keep still at any position.

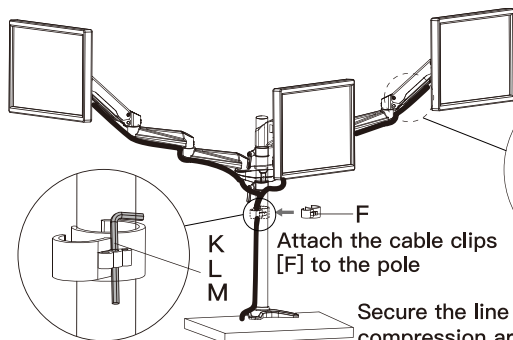


Be sure to keep the arm in horizontal position during adjustment. Or else, it would be difficult to adjust the mount.

Tilt and Swivel Adjustments



Step 6 Route the Cables



Store the Allen keys into the cable clip

Attach the cable clips [F] to the pole

Secure the line hooks [X] to the compression arms [U], then route the cables into line hooks [X] on the compression arms [U] and the line hooks preassembled on the extension arms [W]