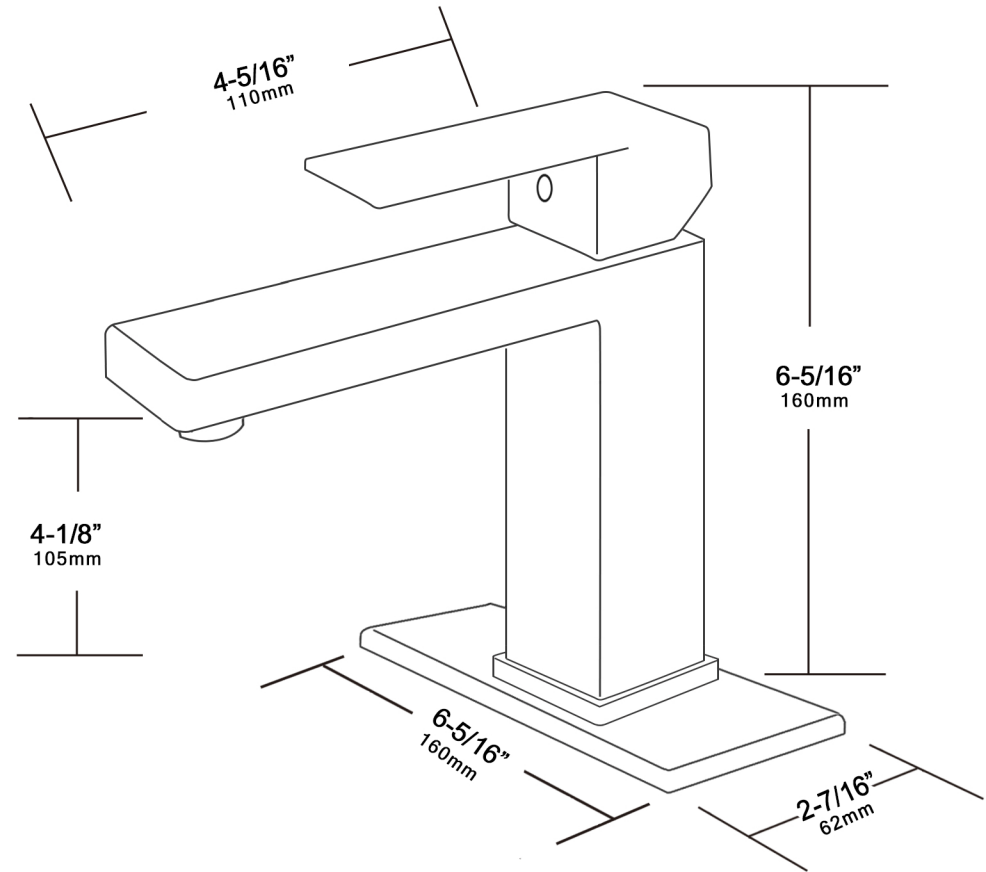


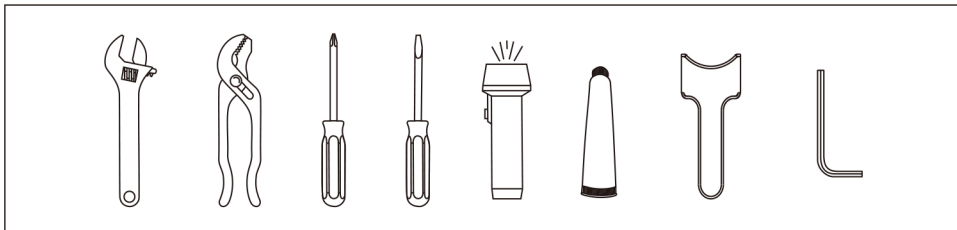
Bathroom Faucet



DIMENSION DRAWINGS:



YOU MAY NEED

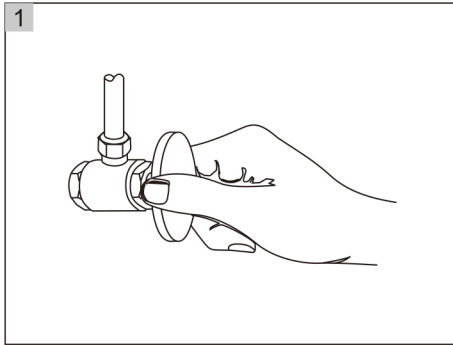


TROUBLE-SHOOTING

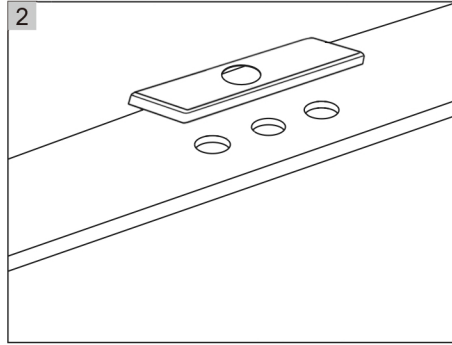
If you've followed the instruction carefully and your faucet still does not work properly, take these corrective steps.

Problem	Cause	Action
Leaks underneath handle.	Cartridge has come loose.	Tighten the cartridge.
Aerator leaks or has an inconsistent water flow pattern.	Aerator is dirty or worn out or misfitted.	Unscrew the aerator to clean or replace washer, or replace the aerator.
Water will not shut off completely.	Dirty or worn out washer in cartridge.	Remove handle and cartridge to check if the washer is damaged permanently or dirty. Re-install cartridge.

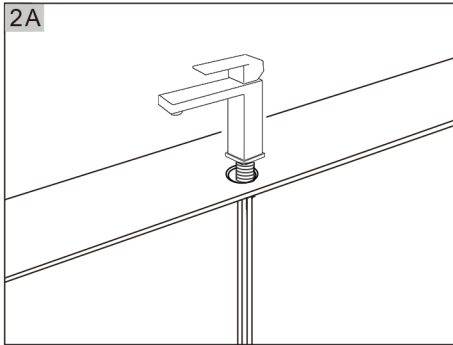
INSTALLATION PROCEDURES



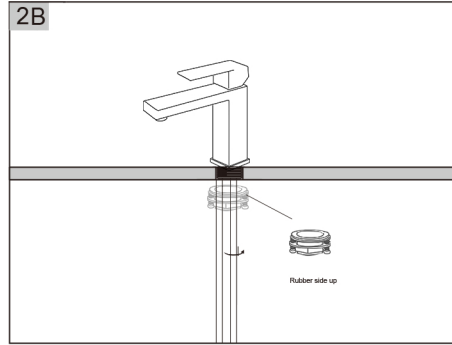
You should clean all the dirt from valve outlets. Turning off the water supply valves. This is usually found near the water meter. If you are replacing an existing faucet, remove the faucet from the sink and clean the sink surface thoroughly.



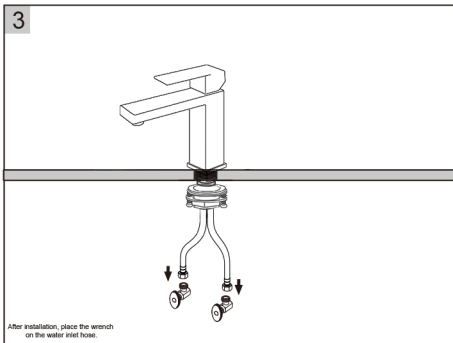
If necessary, you can install it with a deck plate. And place deck plate over the three holes of sink.



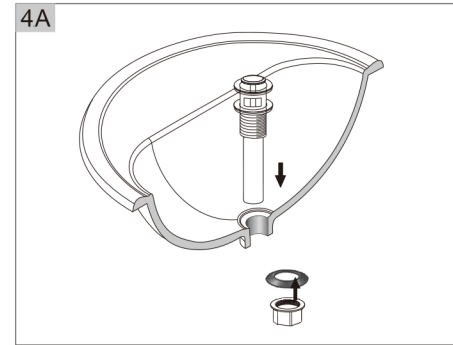
Please remove the rubber washer, metal washer and mounting nut that are pre-installed on the bottom of the faucet. Then pass the hoses through the mounting hole of the sink.



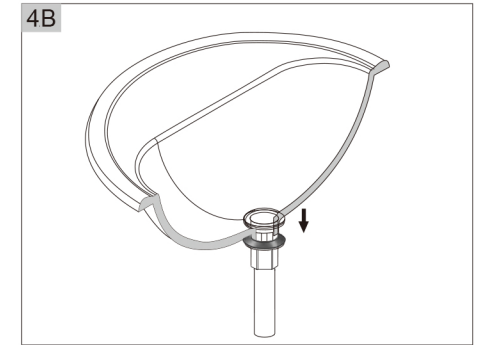
Position the faucet on the sink properly. From the underside sink, fit the rubber washer and metal washer then tighten the mounting nut.



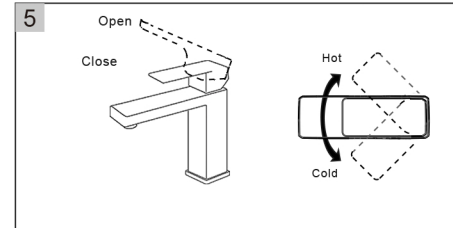
After installation, place the wrench on the water inlet hose.
Connect hot and cold water supply lines to the water supply valves. After installation, tighten the nut to fix the faucet.



Unscrew the locking nut. Make sure the rubber washer is aligned with the sink drain hole. Then insert the pop-up drain into the sink drain hole. From underneath, tighten with the lockset.

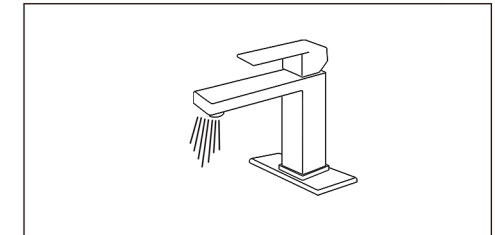


After the installation is complete, press down to check whether it can be used normally.



Lift the handle up, the cartridge will be activated allowing water to flow. The water flow will increase by continuing to rotate handle. By rotating the handle to the right, the water temperature will decrease to cold flow only. By rotating the handle to the left, the water temperature will increase to hot flow only.

Faucet Start Up



After installation is complete, rotate handle to the closed position. Turn on the water supply valves, and check all connections for a leak. Turn on your faucet and allow both hot and cold water to run at least one minute each.



NOTIFICATION

Long-term use of the water outlet will form scale, wipe it with a soft towel. Prohibit the use of hard objects cleaning products.