

WIRELESS CHIME/PAGER

USER MANUAL



IP55
WATERPROOF



55
RINGTONES



1000 Feet
300 Meters



0-110 dB
5 Levels

FEATURES:

- Modern & Stylish design
- Easy installation
- Approx. 1000ft/300mtrs operation range (open air)
- 5 levels of volume
- IP55 Waterproof
- 55 Ringtones
- Low power consumption

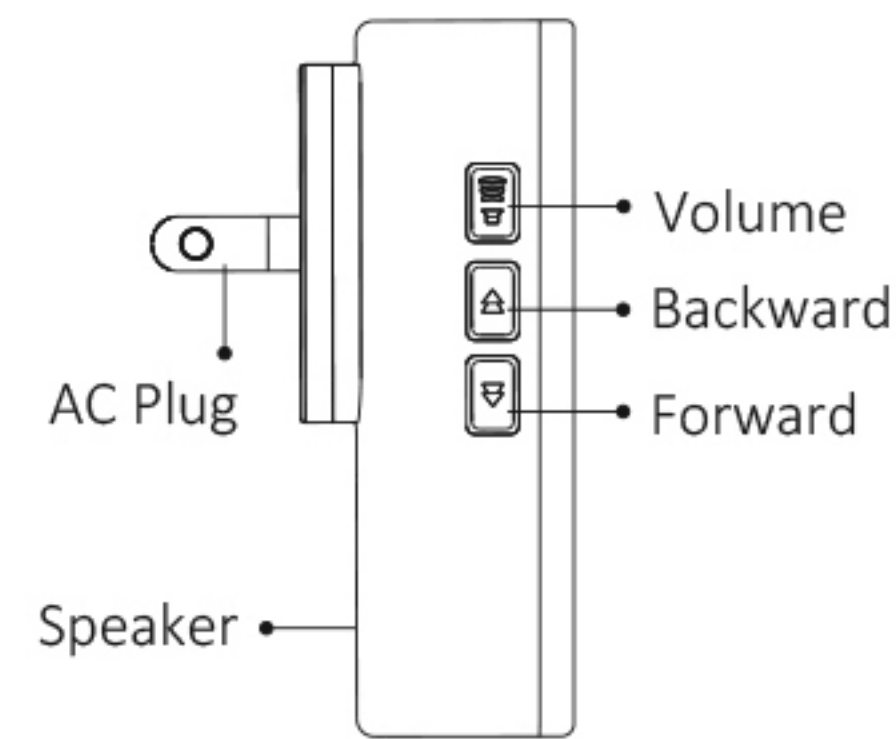
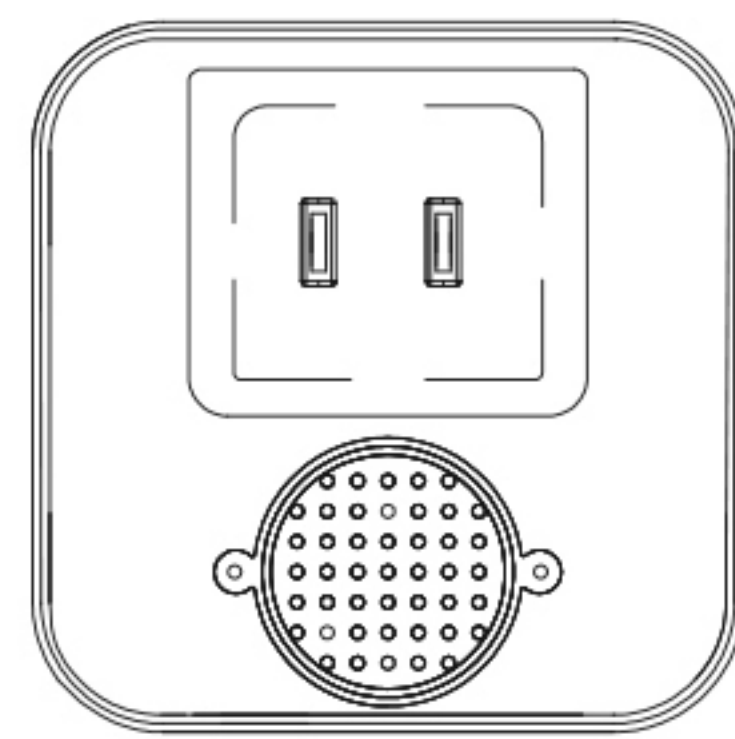
SPECIFICATIONS:

Working voltage of plug-in receiver	110-260V
Battery in transmitter	12V/23A Alkaline battery
Working temperature	-30C-70C/-22F-158F

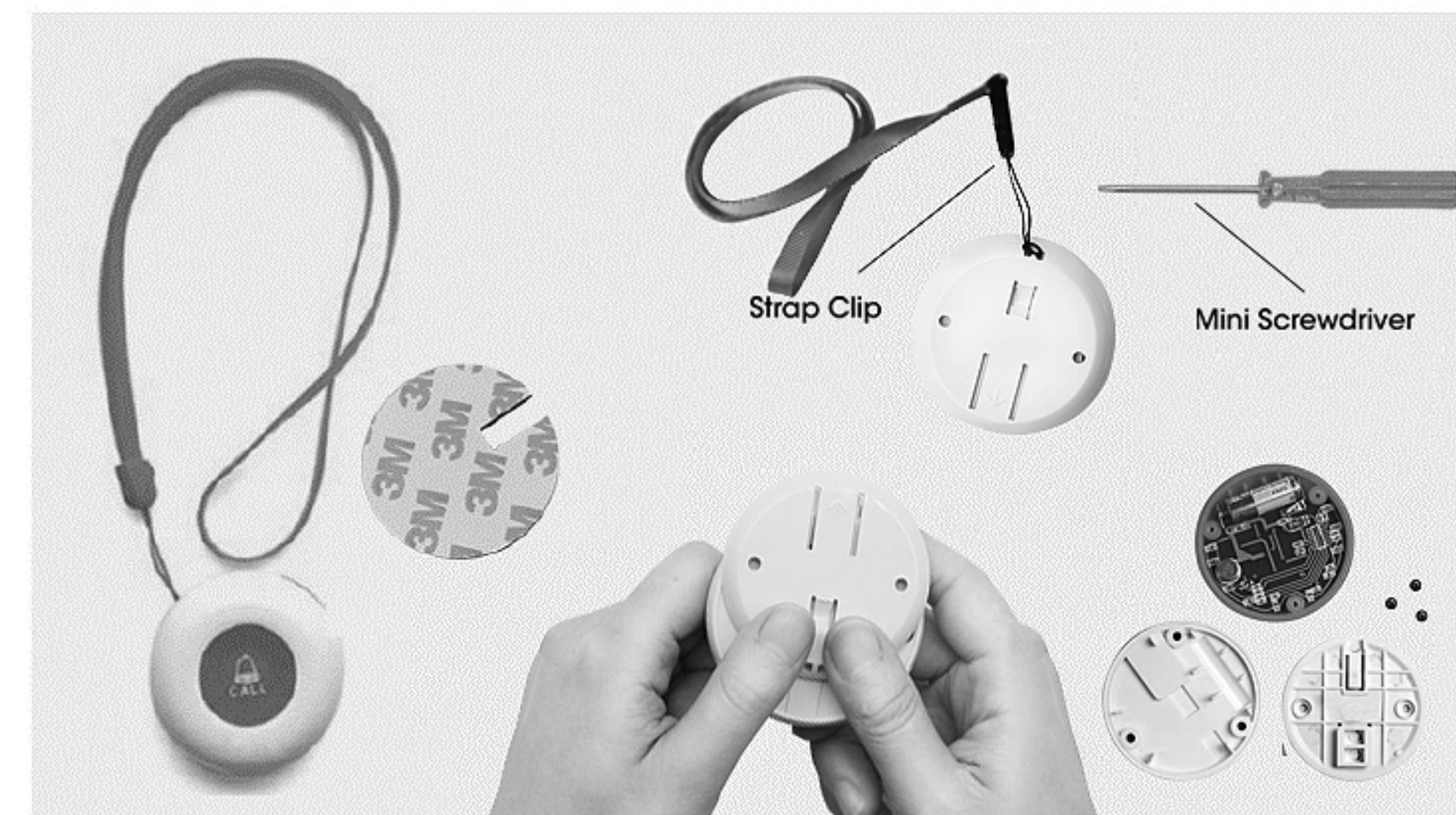
PACKAGE LIST:

- Receiver
- Transmitter (Optional)
- Double sided adhesive tape
- User manual
- 12V/23A Battery

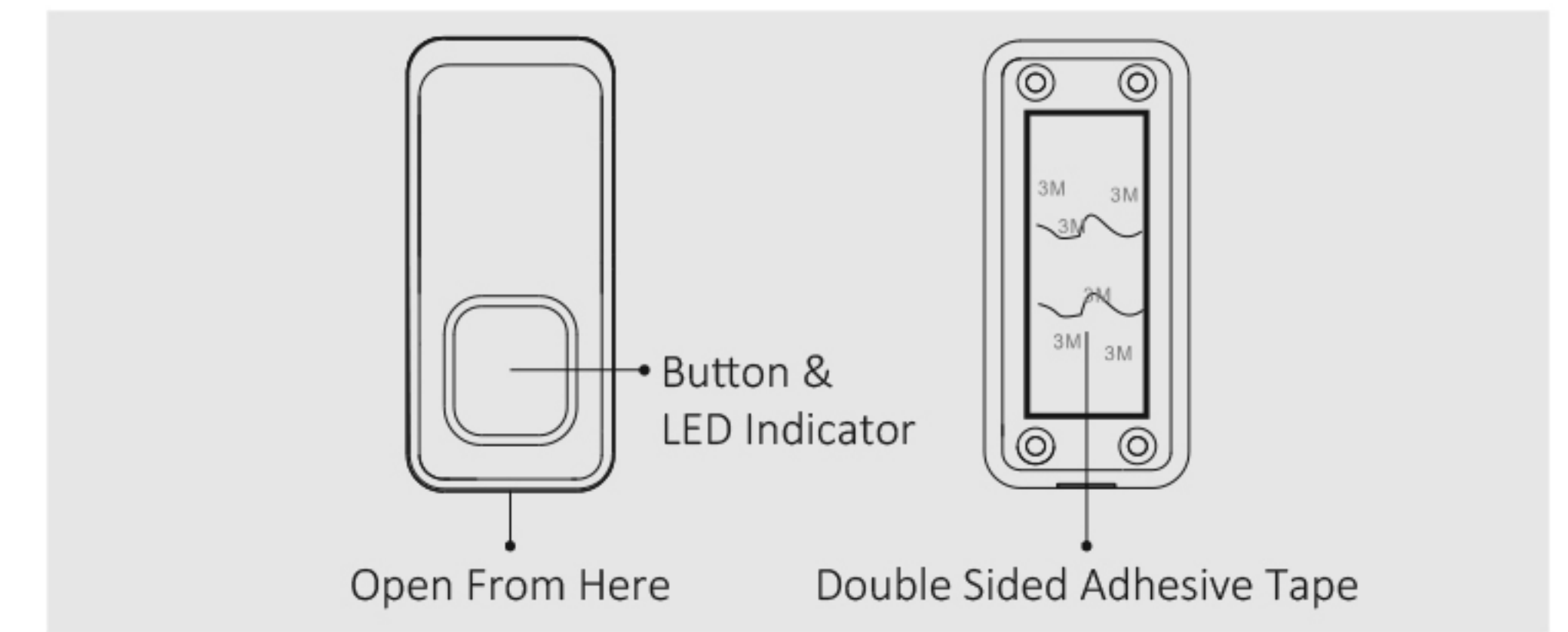
PRODUCT DIAGRAM:



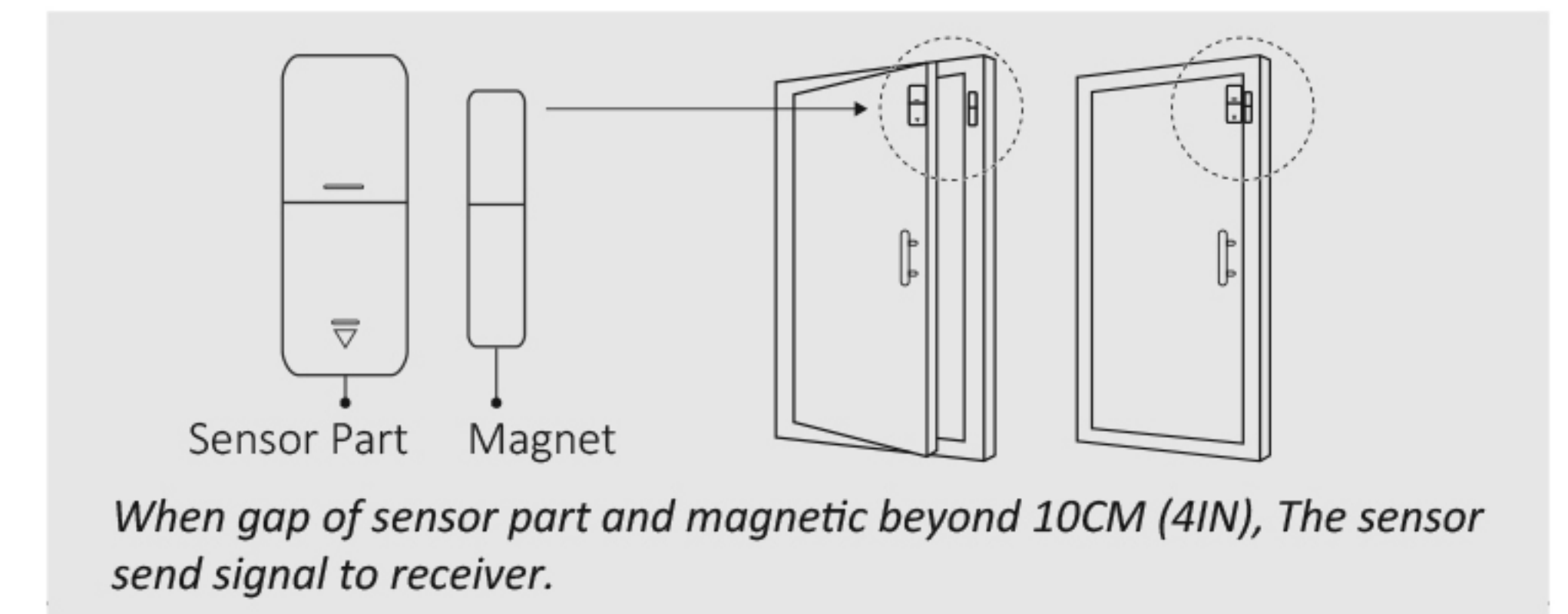
RECEIVER



TRANSMITTER 1: Call Button



TRANSMITTER 2: Push Button of Doorbell



TRANSMITTER 3: Door Sensor

THE FIRST USE GUIDE:

1. Plug the receiver into a mains socket and switch the socket on.
2. Press the transmitter push button and confirm that the transmitter indicator flashes, the doorbell receiver sounds "Ding-Ding" and the receiver

indicator flashes. The doorbell is paired. The default ringtone is "Ding-Dong". Users can change the ringtone easily, just refer to the "CHANGING THE RINGTONE" steps.

CHANGING THE RINGTONE / PAIRING:

Step 1: Press the (Forward) or (Backward) button on the receiver to choose your favorite melody.

Step 2: Press and hold down the (Volume) button on the receiver for 5 seconds, until it makes a "Ding" sound and the receiver indicator flashes (that means the doorbell entered into the Pairing Mode, the pairing mode will only last 8 seconds, then it will automatically exit).

Step 3: Press the button on the transmitter quickly, it will makes a "Ding-Ding" sound and the receiver indicator flashes.

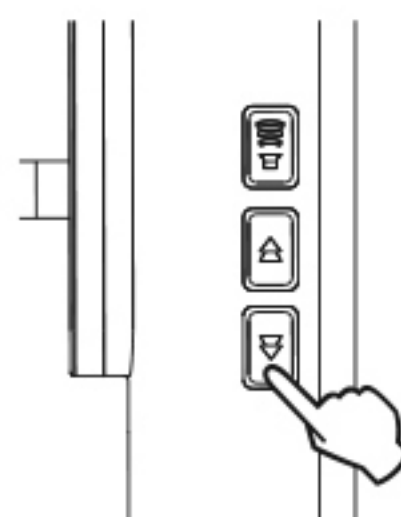
Step 4: Press the button on the transmitter again to confirm whether the current ringtone is the one you have set, if yes, the pairing is completed.

Remark:

1. This method is also suitable for adding/pairing additional Transmitters.
2. If Pairing door sensor, let Gap between sensor part and magnet beyond 10cm (to send out the signal) instead of Pressing the button.

CLEARING THE SETTINGS:

Press and hold down the Forward button on the receiver for 5 seconds, until it makes a "Ding" sound and the receiver indicator flashes, all the settings will be cleared, the doorbell will back to the factory default settings (it means that the ringtone you have set and the transmitters you have added/paired will be cleared).



INSTALLATION:

1. Plug the receiver into a mains socket and switch the socket on.
2. Place the transmitter exactly where you intend to fix and, with the doors closed, confirm that the doorbell receiver still sounds when you press the transmitter push button (If the doorbell receiver does not sound, this may be due to metal within the fixing surface and you may need to reposition the transmitter).
3. Fix the transmitter in place with (supplied) double sided adhesive tape.

ADJUSTMENTS:

1. The volume of the doorbell may be adjusted to one of five levels. Press the Volume button on the receiver to increase the volume by one level, the receiver will sound to indicate the selected level. If the maximum level is already set, the doorbell will switch to the minimum level, which is the Silent Mode.
2. The melody played by the doorbell may be set to any one of 55 different selections. Press the Backward or Forward button to select the next available melody, the receiver will sound to indicate the selected melody. To set the doorbell ringtone to the selected melody, please refer to the "CHANGING THE RINGTONE" steps.

CHANGING THE BATTERY:

1. Insert the (supplied) Mini Screwdriver in the cover slot at the bottom of the transmitter and twist to release the transmitter from the cover.
2. Remove the exhausted battery and dispose of properly.
3. Insert the new battery into the battery compartment. Observe correct battery polarity (+ve and -ve), or the unit will not function and may be

damaged.

4. Refit the transmitter to the cover, with the push button at the bottom.

PROBLEMS?

If the doorbell does not sound, the following are possible causes:

1. The battery in the transmitter may be run down (the transmitter indicator will not flash). Replace the battery.
2. The battery may be inserted the wrong way round (polarity reversed). Insert the battery correctly, but be aware the reverse polarity may damage the unit.
3. Ensure that the doorbell receiver is switched on at the mains.
4. Check that neither the transmitter nor the receiver are near to possible sources of electrical interference, such as a power adaptor, or other wireless devices.
5. The range will be reduced by obstacles such as walls, although this will have been checked during setup. Check that nothing, particularly a metal object, has been placed between the transmitter and the receiver. You may need to reposition the doorbell.

CAUTIONS:

1. Check that your mains supply is correct for the doorbell receiver.
2. The receiver is for indoor use only. Do not use outside or allow to become wet.
3. There are no user-serviceable parts. Do not attempt to repair either the transmitter or the receiver by yourself.