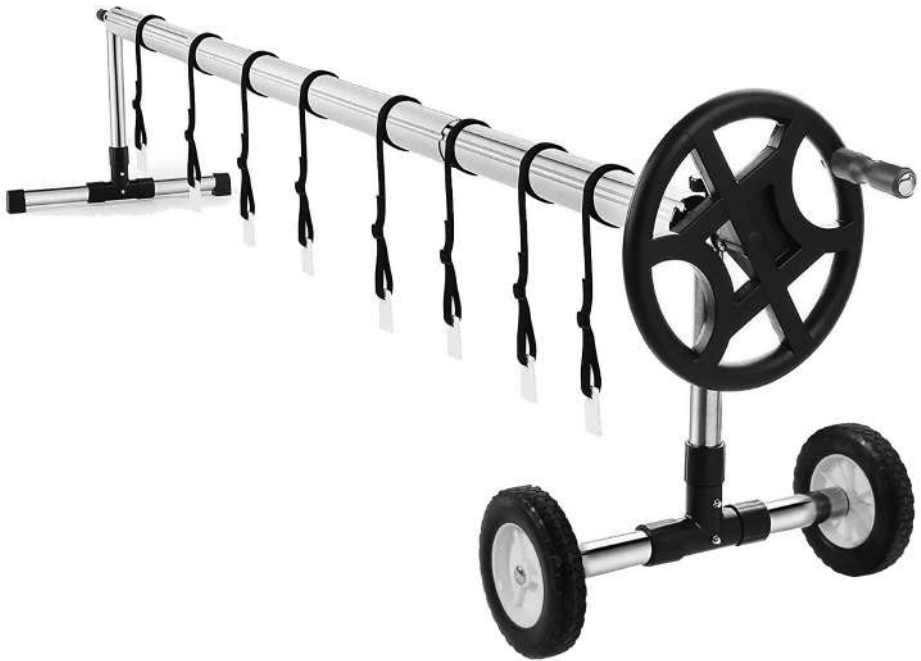


**boldworks**

# **Pool Cover Reel**

## **Instruction Manual**



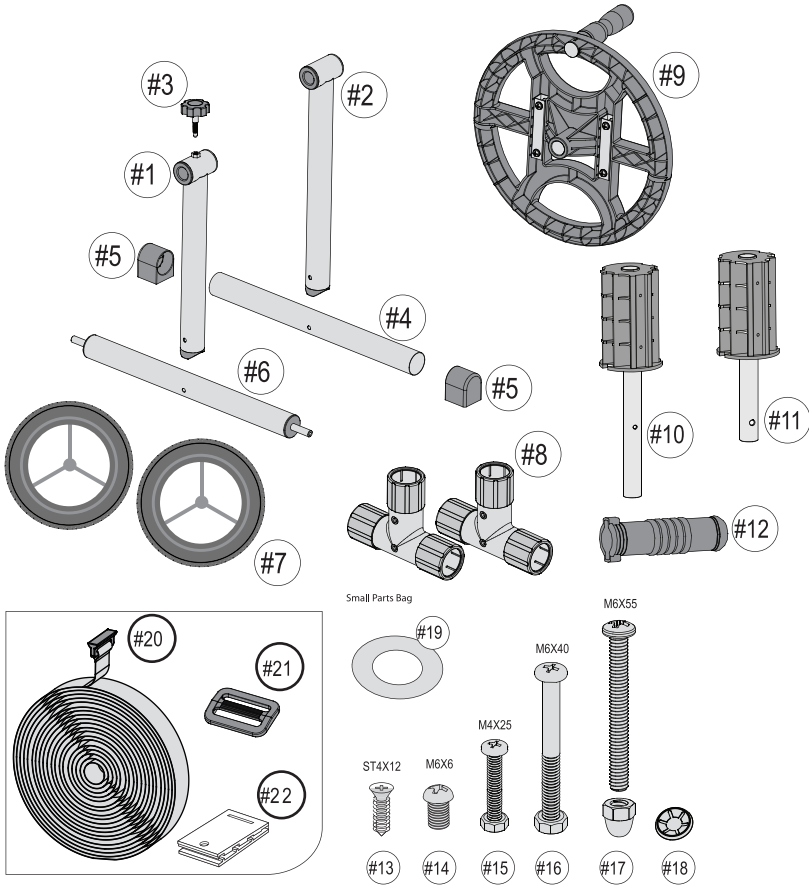
### **IMPORTANT**

The manufacturer, sellers, and resellers of this product make no representations and/or warranties, regarding the product, including without limitation, any warranties as to quality, merchantability, or fitness for a particular purpose. The manufacturer, sellers, and resellers shall not be held liable in any way whatsoever for special, indirect, consequential, or incidental damages, whether based on breach of contract, breach of warranty, tort (including negligence), product liability or otherwise, even if they have been advised of the possibility of such damages. The buyer of the product and the user agree that his or her full remedy against the manufacturer, sellers, and resellers for any liability, claims, or damages, shall be limited to the purchase price of the product, and irrevocably waive all claims for any other damages that they may have.

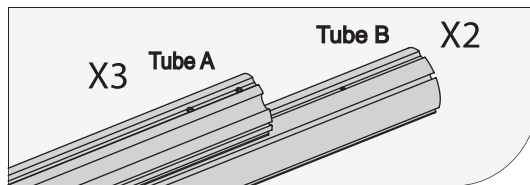
---

# CONTENTS

**boldworks**



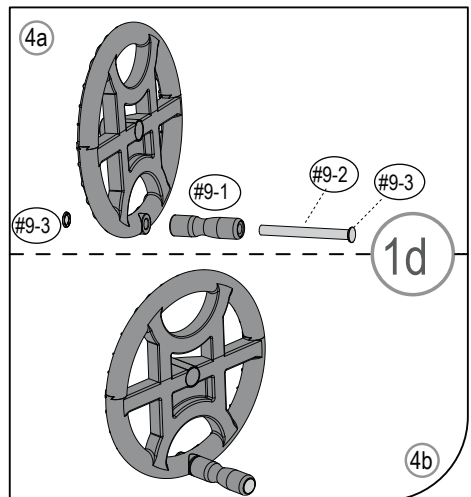
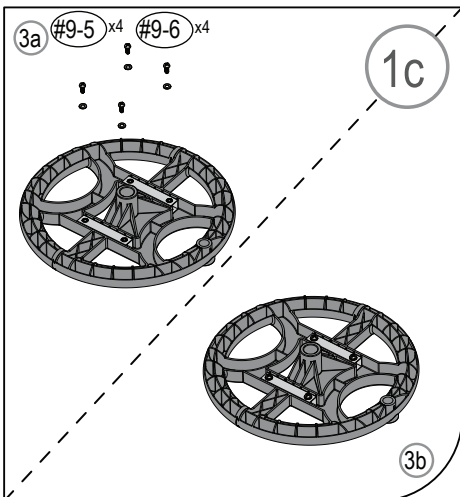
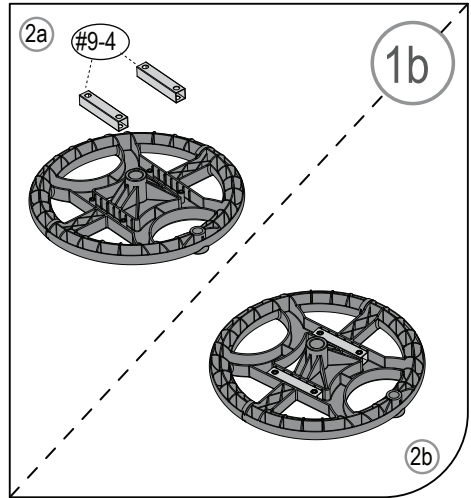
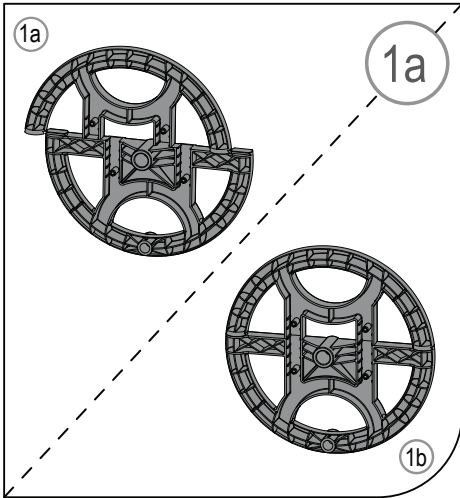
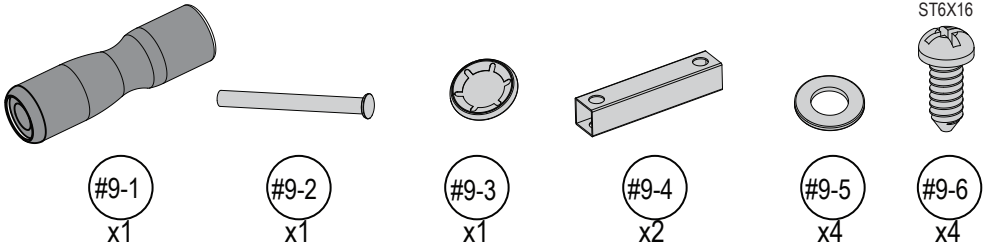
Ref	Qty
#1	1
#2	1
#3	1
#4	1
#5	2
#6	1
#7	2
#8	2
#9	1
#10	1
#11	1
#12	1
#13	4
#14	12
#15	1
#16	1
#17	4
#18	2
#19	1
#20	8
#21	8
#22	8



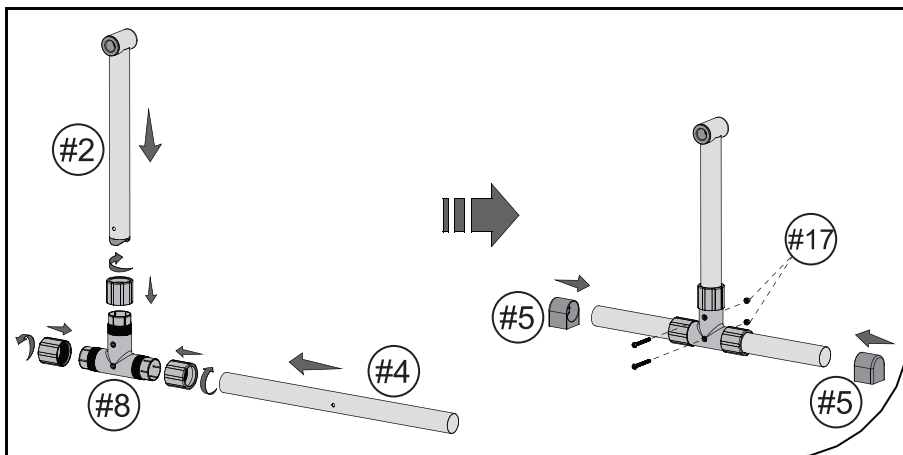
# CONTENTS

boldworks

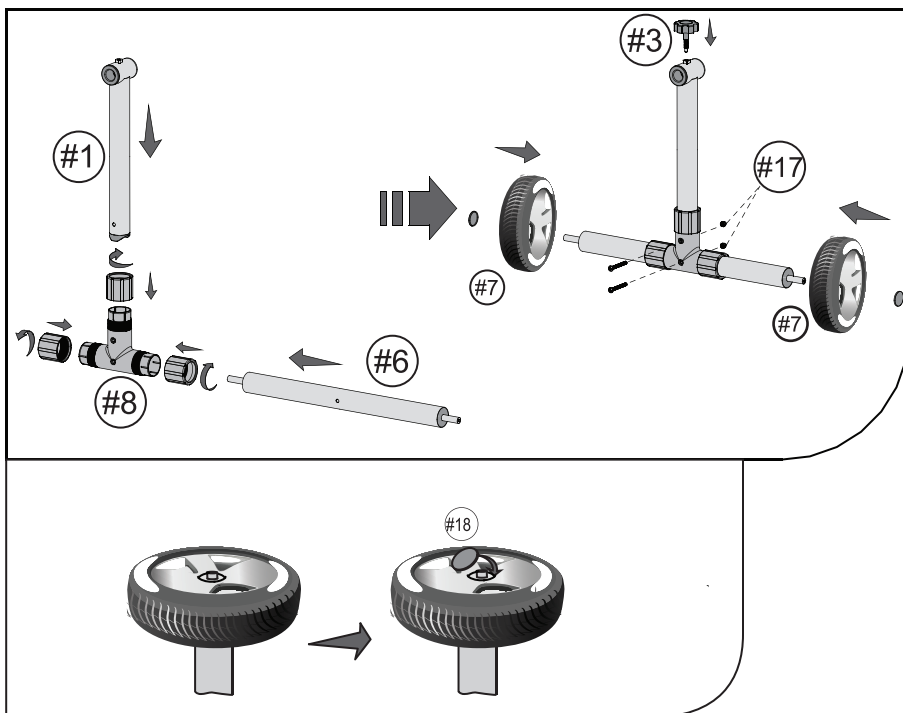
## Step1



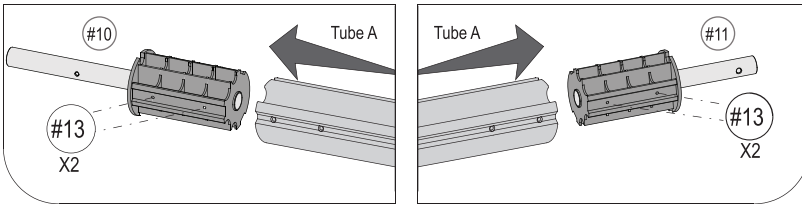
## Step 2



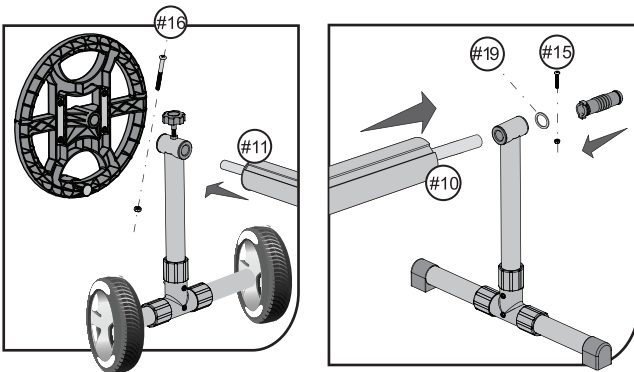
## Step 3



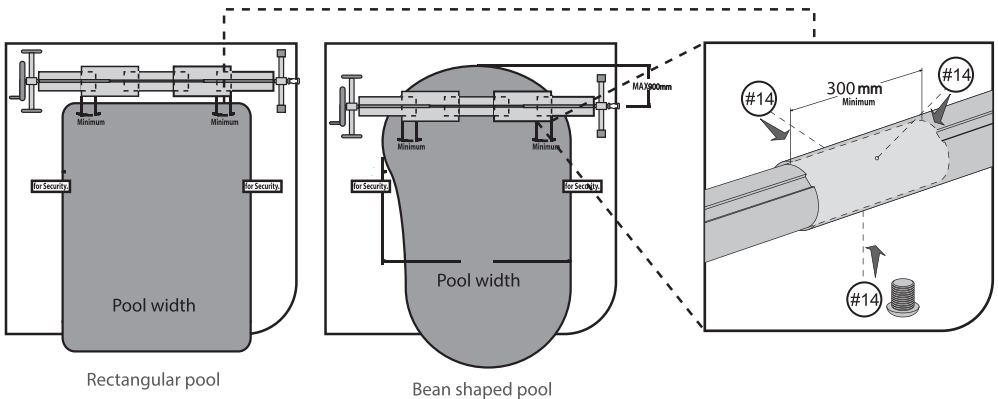
## Step 4



## Step 5

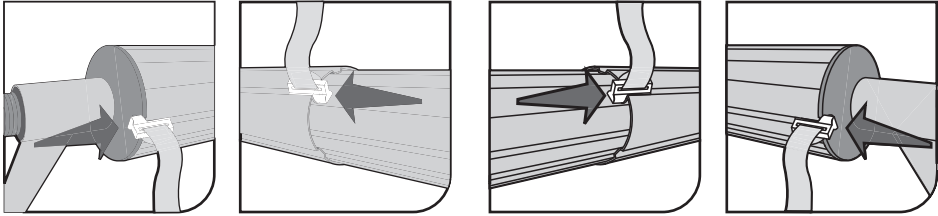


## Step 6

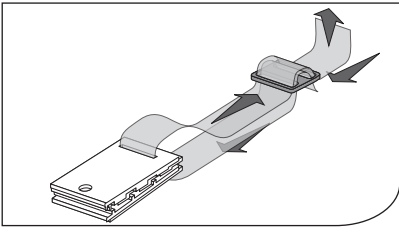


Connect all the aluminum tubes by inserting the smaller tube inside the larger tube and adjusting the intersection length between the tubes to get the desired pool reel length. Please ensure that there is a minimum intersection distance of 300 mm between the tubes at each intersection for smooth operation

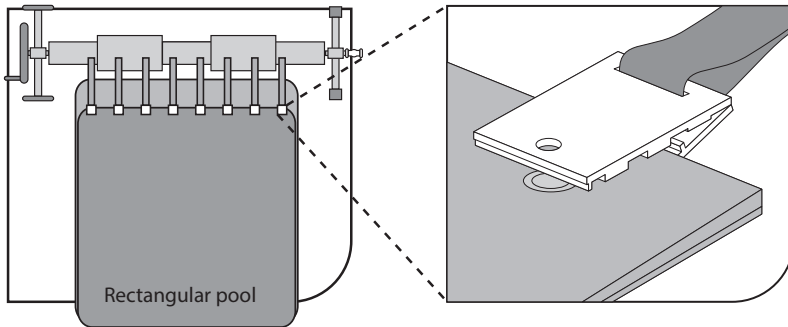
Step 7



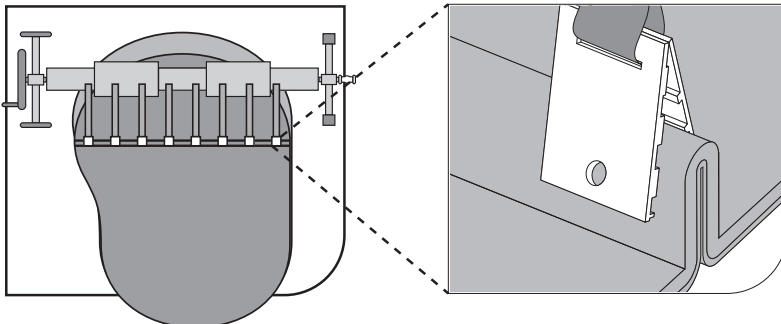
Step 8



Step 9



9a



9b

Bean shaped pool