

Assembly Guide



Bush
FURNITURE

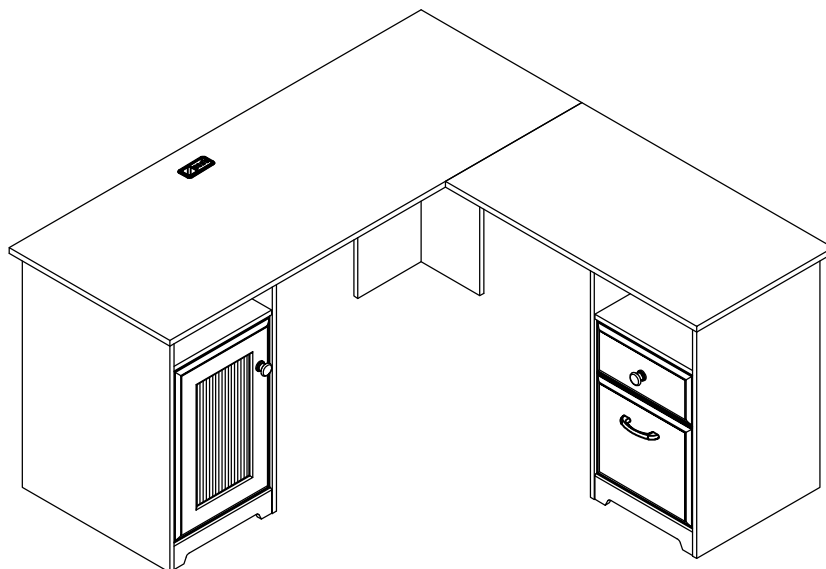


If you're having any difficulty during assembly of this product, don't hesitate to call us at **1-800-950-4782.**

Our customer service experts are trained to provide step-by-step instruction and can easily replace any missing or damaged parts.

Representatives are available Monday-Friday from 8:30 a.m. to 7:30 p.m. (ET)

60W L Desk



Lot Code #

Part Number A199247B

Keep manual for future reference.

For best results, keep these tips in mind:

- ① We know you want to finish this assembly as quickly as possible, but trust us: you'll have a better experience if you take it one step at a time.
- ② Give yourself some room to work near where you want the fully assembled product.
- ③ If your floor isn't carpeted, assemble this product on the empty carton to avoid scratching.
- ④ Do you have a friend who owes you a favor? Some steps may go a little easier with a second set of hands.

DOs

- ✔ Use a #2 Phillips head screwdriver (or other handheld tools as indicated)
- ✔ Wear safety glasses at all times during assembly
- ✔ Carefully follow the instructions in this guide and complete all steps in order
- ✔ Give us a call if you're having trouble with a particularly tricky step

DON'Ts

- ✘ We know power tools are quick and easy, but you shouldn't use them when assembling this product (unless otherwise specified)
- ✘ Never move your furniture with items inside or resting on the surface
- ✘ Do not attempt to use this product before all steps have been completed

**Watch assembly videos right on your phone or computer!**

Some steps include QR codes that link to helpful videos. Watch out for the icon below! Simply open up your smartphone camera to scan the code.

(Users of older smartphones may need to install a QR Reader.)

SCAN HERE**FOR VIDEOS**

Or visit <https://bushfurniture.com/help-faq/#assembling>

IMPORTANT SAFETY INFORMATION



PLEASE READ WARNINGS

Improper use can cause safety hazards, or damage to your furniture and household items.

Warning	Do	Don't	Why it's important
Serious injury may occur.	<ul style="list-style-type: none">Assemble following all instructions using all indicated parts and hardware provided.	<ul style="list-style-type: none">Do not move unit when loaded.Do not load with a television or other heavy equipment.Do not exceed the maximum load limits stated in the instructions.	Improper assembly, use or loading can lead to product instability, tip-over or collapse.

Advertencia	Hacer	No	Por qué es importante
Se pueden producir lesiones graves.	<ul style="list-style-type: none">Ensamble siguiendo todas las instrucciones utilizando todas las piezas y ferretería indicados provistos.	<ul style="list-style-type: none">No mueva la unidad cuando esté cargada.No cargue con un televisor u otro equipo pesado.No exceda los límites máximos de carga establecidos en las instrucciones.	El ensamblaje, uso o carga inadecuados pueden provocar inestabilidad del producto, vuelco o colapso.

Avertissement	Faire	Ne le fais pas	Pourquoi c'est important
Des blessures graves peuvent survenir.	<ul style="list-style-type: none">Assemblez en suivant toutes les instructions en utilisant toutes les pièces et le matériel indiqués fournis.	<ul style="list-style-type: none">Ne déplacez pas l'unité lorsqu'elle est chargée.Ne chargez pas avec un téléviseur ou un autre équipement lourd.Ne dépassez pas les limites de charge maximale indiquées dans les instructions.	Un assemblage, une utilisation ou un chargement incorrects peuvent entraîner une instabilité du produit, un renversement ou un effondrement.

IMPORTANT SAFETY INFORMATION



PLEASE READ WARNINGS

Improper use can cause safety hazards, or damage to your furniture and household items.

Caution	Do	Don't	Why it's important
Injury may occur.	<ul style="list-style-type: none">• Handle glass carefully during assembly.• Use proper eye and hand protection.	<ul style="list-style-type: none">• Do not exceed maximum load limits stated in the instructions.	<ul style="list-style-type: none">• Improper handling or loading may result in glass breakage.

Atención	Hacer	No	Por qué es importante
Se pueden producir lesiones.	<ul style="list-style-type: none">• Manipule el vidrio con cuidado durante el montaje.• Use protección adecuada para los ojos y las manos.	<ul style="list-style-type: none">• No exceda los límites máximos de carga establecidos en las instrucciones.	<ul style="list-style-type: none">• La manipulación o carga inadecuadas pueden provocar la rotura del vidrio.

Attention	Faire	Ne le fais pas	Pourquoi c'est important
Des blessures peuvent survenir.	<ul style="list-style-type: none">• Manipulez le verre avec précaution lors du montage.• Utilisez une protection appropriée pour les yeux et les mains.	<ul style="list-style-type: none">• Ne dépassez pas les limites de charge maximale indiquées dans les instructions.	<ul style="list-style-type: none">• Une manipulation ou un chargement incorrect peut entraîner la rupture du verre.

NOTICE !

This product contains a USB charging HUB with pass through capability. It receives power from a USB port. Use of other power sources such as universal type power adaptors will cause damage to the HUB and any devices plugged into the HUB, and void the warranty.

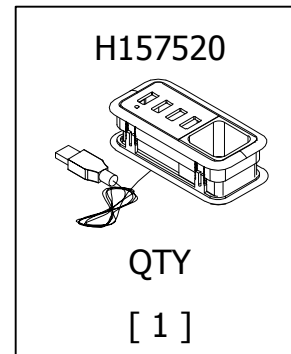
- DO NOT alter or modify this device.
- DO NOT use power sources other than 127 USB port with a maximum of **2.0 amp** output.
- DO NOT use universal type power adaptors to power this device.

FEATURES:

- 4 ports that support 1.5Mbps, 12Mbps, or 480Mbps data transfer.
- USB 2.0 specifications compatible
- Connects devices having USB ports through cascading multiple hubs

SPECIFICATIONS:

- Voltage output per port: **5V**
- Operational temperature: 5 deg C to 40 deg C (41 deg F to 104 deg F)
- Storage temperature: -20 deg C to 60 deg C (-4 deg F to 140 deg F)
- Humidity: 20% to 80% RH



INSTRUCTION STATEMENT: This equipment has been tested and found to comply with the limits for Class B digital devices, pursuant to part 15 of the FCC Rules. These limits are designed to provide reasonable protection against harmful interference in a residential installation. This equipment generates, uses, and can radiate radio frequency energy and if not installed and used in accordance with the instructions, may cause harmful interference to radio communications. However, there is no guarantee that the interference will not occur in a particular installation. If this equipment does cause harmful interference to radio or television reception, which can be determined by turning the equipment off and on, the user is encouraged to try to correct the interference by one or more of the following measures;

- Reorient or relocate the receiver antenna.
- Increase the separation between the equipment and receiver.
- Connect the equipment into an outlet on a circuit different from that of the receiver.
- Consult the dealer or an experienced radio/TV technician for help.

¡ AVISO !

Este producto contiene un HUB (CONCENTRADOR) de carga USB con capacidad de paso de señal. Recibe alimentación desde un puerto USB. El uso de otras fuentes de alimentación, tales como adaptadores de alimentación de tipo universal causará daños al HUB y todos los dispositivos conectados al HUB, y anulará la garantía.

- NO altere ni modifique este dispositivo.
- NO use otras fuentes de alimentación diferentes al Puerto USB 127 con un máximo de **2.0 amperios** de salida.
- NO use adaptadores de alimentación de tipo universal para alimentar este dispositivo.

CARACTERÍSTICAS

- 4 puertos que soportan 1.5 Mbps, 12 Mbps o 480 Mbps de transferencia de datos.
- Compatible con las especificaciones USB 2.0
- Conecta dispositivos con puertos USB en cascada a través de varios hubs

ESPECIFICACIONES

- Tensión de salida por puerto: **5V**
- Temperatura de funcionamiento: 5 °C a 40 °C (41 °F a 104 °F)
- Temperatura de almacenamiento: -20 °C a 60 °C (-4 °F a 140 °F)
- Humedad: 20% a 80% HR

DECLARACIÓN DE INSTRUCCIONES: Luego de probar este equipo, se determinó que cumple con los límites para los dispositivos digitales clase B conforme a la Sección 15 de las reglas de la FCC. Estos límites están diseñados para brindar una protección razonable contra interferencias dañinas en una instalación residencial. Debido a que este equipo produce, emplea y puede emitir energía de radiofrecuencia, si no se instala y utiliza de acuerdo con las instrucciones, puede ocasionar interferencias nocivas a las comunicaciones vía radio. Sin embargo, no hay garantía de que no habrá interferencia en una instalación en particular. Si este equipo causa interferencia perjudicial a la recepción de radio o televisión, lo cual puede ser determinado apagando y encendiendo el equipo, se sugiere al usuario tratar de corregir la interferencia con una o más de las siguientes acciones:

- Reorientar o reubicar la antena receptora.
- Incrementar la separación entre el equipo y el receptor.
- Conectar el equipo en un enchufe eléctrico en un circuito diferente al que está conectado el receptor.
- Consultar con el distribuidor o con un técnico de radio/TV experimentado para solicitar ayuda.

! MISE EN GARDE

Ce produit contient un CONCENTRATEUR de chargement USB avec possibilité de transfert. Il reçoit de l'énergie depuis un port USB. L'utilisation d'autres sources d'alimentation, telles que des adaptateurs d'alimentation de type universel, endommagera le CONCENTRATEUR et tous les périphériques branchés sur celui-ci, et annulera la garantie.

- NE PAS altérer ou modifier ce périphérique.
- NE PAS utiliser de sources d'alimentation autres qu'un port USB de type 127 avec une sortie maximale de **2,0 ampères**.
- NE PAS utiliser d'adaptateurs d'alimentation de type universel pour alimenter ce périphérique.

CARACTÉRISTIQUES

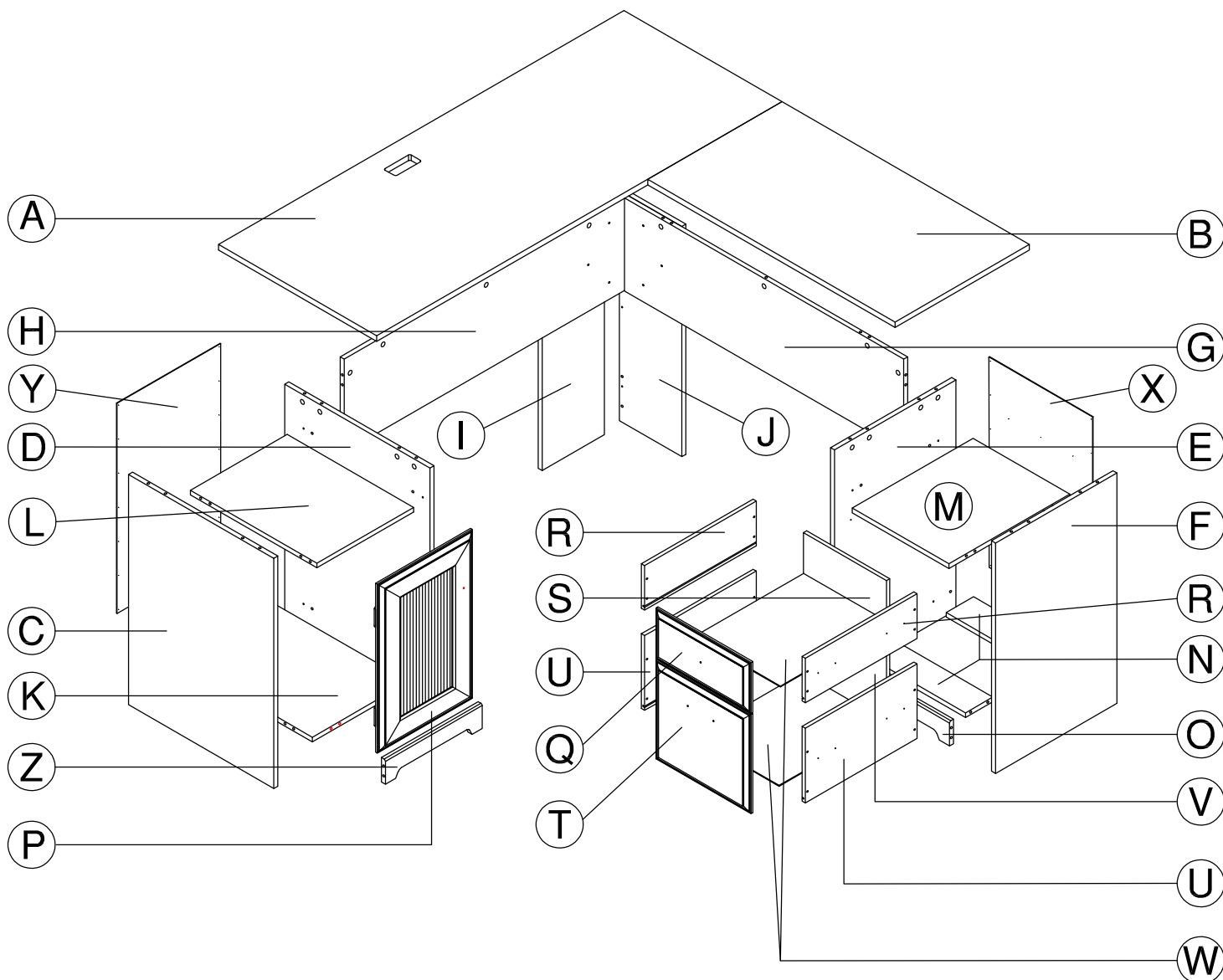
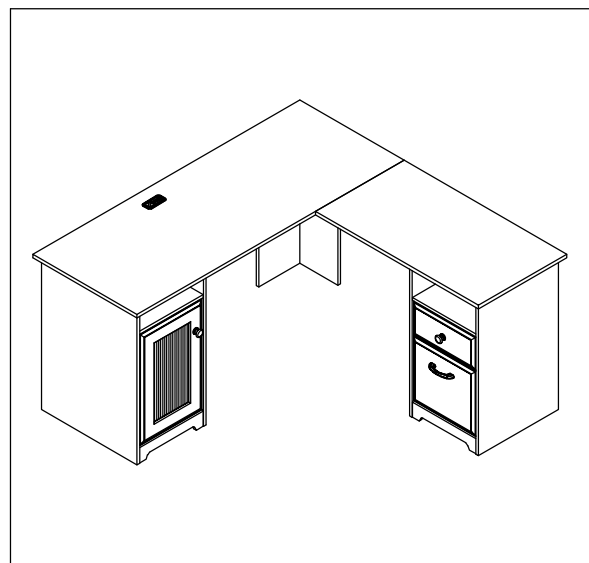
- 4 ports prenant en charge le transfert de données à 1,5 Mbit/s, 12 Mbit/s ou 480 Mbit/s.
- Compatible avec les spécifications USB 2.0
- Permet de connecter des périphériques dotés de ports USB via la mise en cascade de plusieurs concentrateurs.

SPÉCIFICATIONS

- Tension de sortie par port : **5V**
- Température de fonctionnement : de 5 °C à 40 °C (41 °F à 104 °F)
- Température de stockage : de -20 °C à 60 °C (-4 °F à 140 °F)
- Humidité : de 20 % à 80 % RH

INSTRUCTIONS : Cet équipement a été testé et déclaré conforme aux limites des périphériques numériques de classe B, conformément à la partie 15 des règles de la FCC. Ces limites sont conçues pour fournir une protection raisonnable contre les interférences nuisibles dans une installation résidentielle. Cet équipement génère, utilise et peut émettre de l'énergie radiofréquence et, s'il n'est pas installé et utilisé conformément aux instructions, peut causer des interférences nuisibles aux communications radio. Cependant, il n'y a aucune garantie que des interférences ne se produiront pas dans une installation particulière. Si cet équipement provoque des interférences nuisibles à la réception de la radio ou de la télévision, ce qui peut être déterminé en allumant et éteignant l'équipement, l'utilisateur est encouragé à essayer de corriger les interférences en prenant l'une des mesures suivantes :

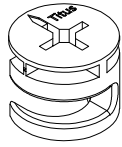
- Réorienter ou déplacer l'antenne du récepteur.
- Augmenter la séparation entre l'équipement et le récepteur.
- Connecter l'équipement à une prise de courant sur un circuit différent que celui du récepteur.
- Consulter le revendeur ou un technicien en radio / télévision expérimenté pour obtenir de l'aide.



Have an assembly question or need a replacement part? Just call
1-800-950-4782, we are here to help.

Fasteners are shown actual size.

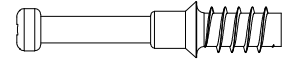
H181468



KD Cam

[49]

H180604



KD Bolt

[49]

H124395



#6 x 1/2"

[12]

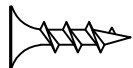
H38169



Wood Dowel
8 x 30mm

[33]

H153242



#8 x 5/8"

[8]

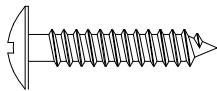
H101725



#6 x 1/2"

[22]

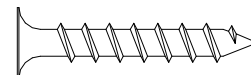
H23682



#10 x 1"

[6]

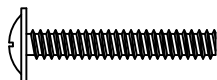
H26053



#10 x 1-1/4"

[8]

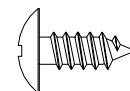
H158943



M4 x 25mm

[4]

H35251



#10 x 1/2"

[16]



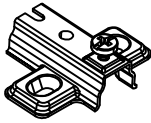
#3 x 3/4"

[40]

Have an assembly question or need a replacement part? Just call
1-800-950-4782, we are here to help.

Hardware not to scale.

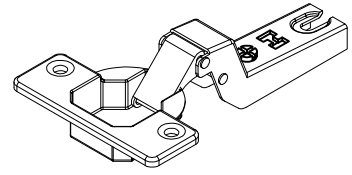
H166306



[2]

Mounting Plate

H166299



[2]

Hinge

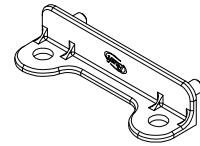
H100446



[2]

Drawer Bracket

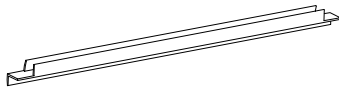
H100445



[2]

Drawer Bracket

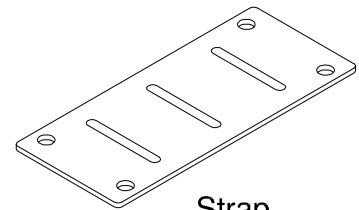
H158581



[2]

File Extrusion
16-3/8" (416mm)

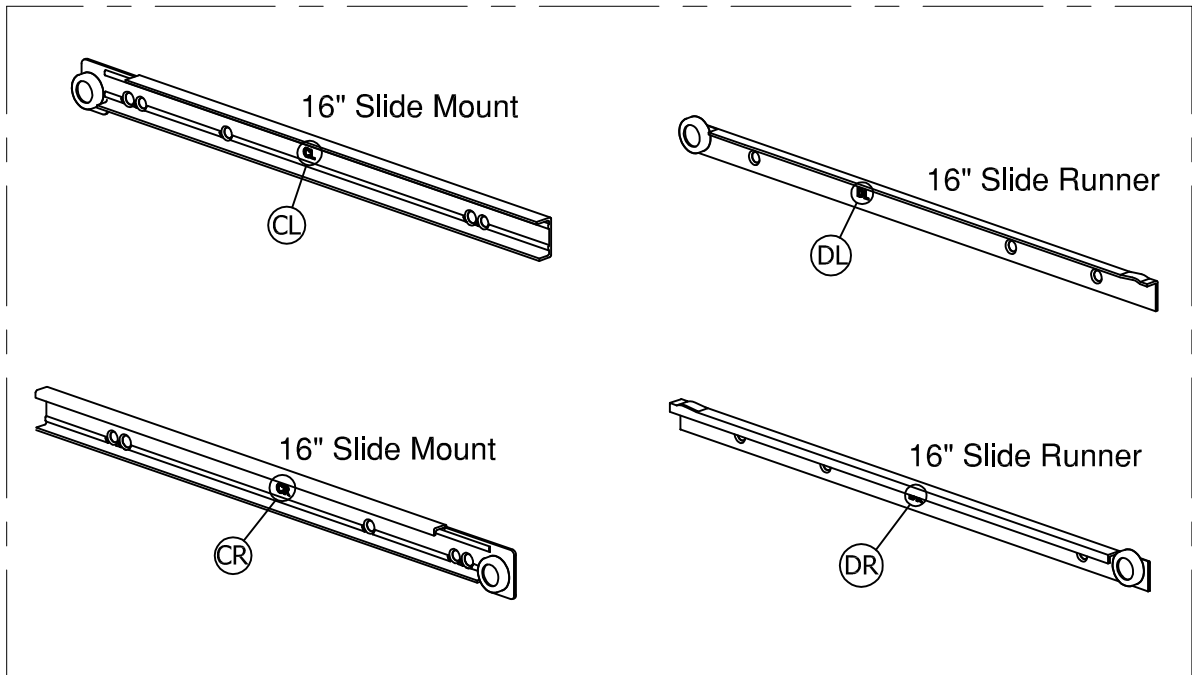
H39922



[2]

Strap

Q89897



[1]

Have an assembly question or need a replacement part? Just call
1-800-950-4782, we are here to help.

Hardware not to scale.

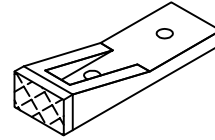
H89793



File Bar
12-1/2" (318mm)

[1]

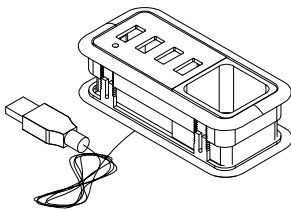
H153233



Stopper

[1]

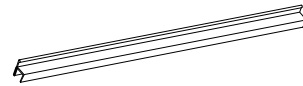
H157520



USB Port

[1]

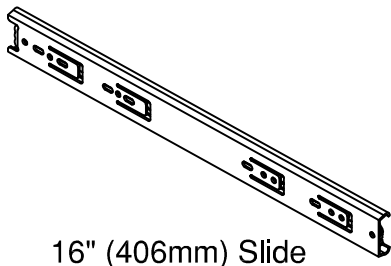
H153475



File Extrusion
12" (308mm)

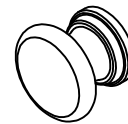
[1]

H167909



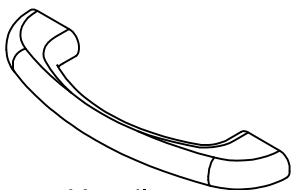
16" (406mm) Slide

[2]



Knob

[2]



Handle

[1]



Cover Cap

[29]

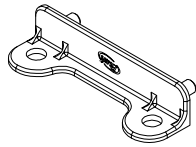
Have an assembly question or need a replacement part? Just call
1-800-950-4782, we are here to help.

STEP 1

Prepare Panels

A199247B

H100445



[2]

Drawer Bracket

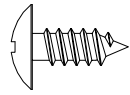
H100446



[2]

Drawer Bracket

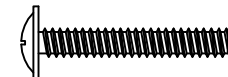
H35251



[8]

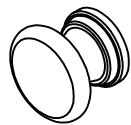
#10 x 1/2"

H158943



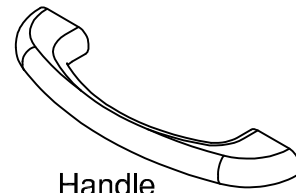
[3]

M4 x 25mm



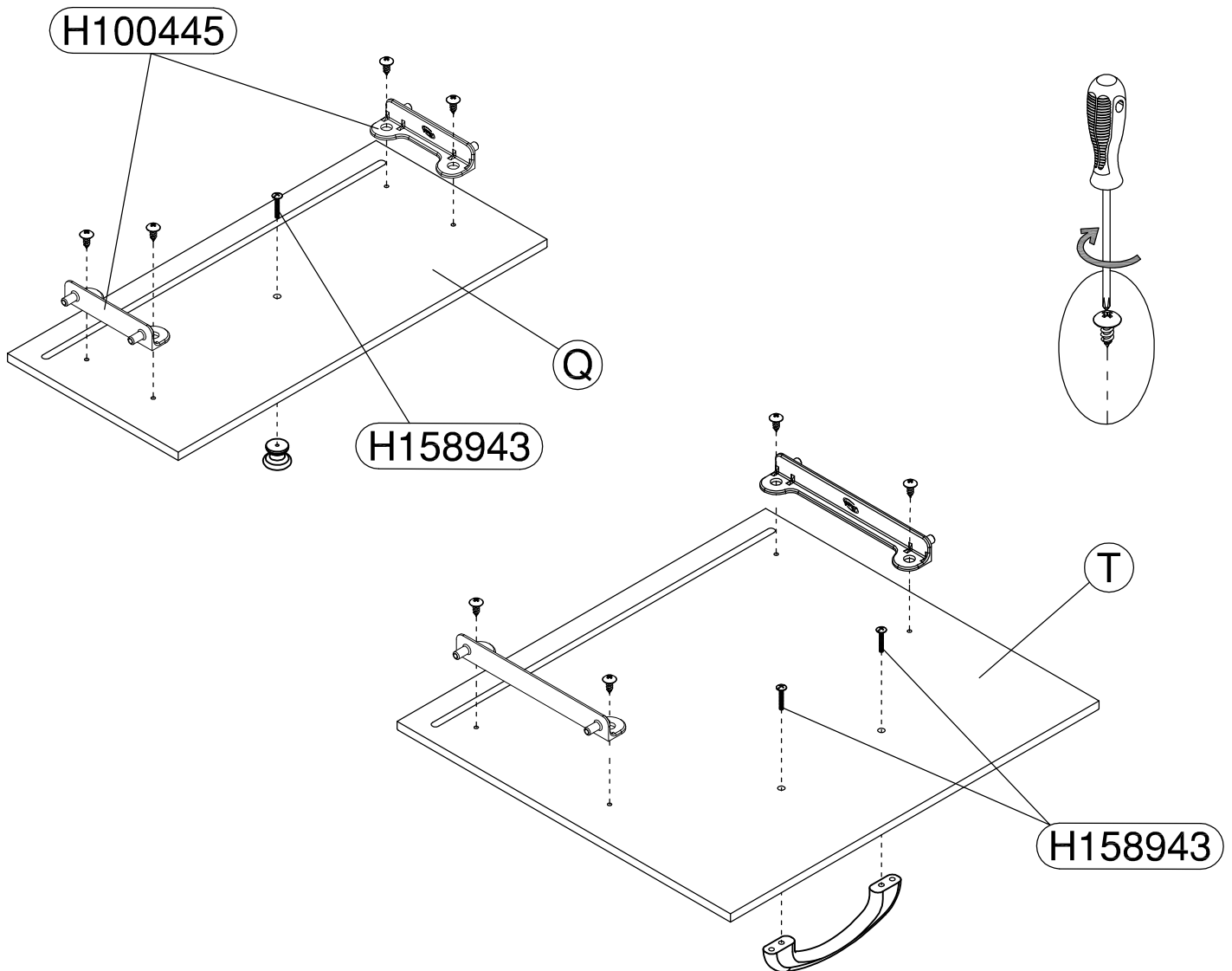
[1]

Knob



[1]

Handle



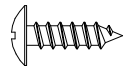
Have an assembly question or need a replacement part? Just call
1-800-950-4782, we are here to help.

STEP 2

Assemble Panels

A199247B

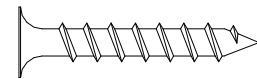
H101725



#6 x 1/2"

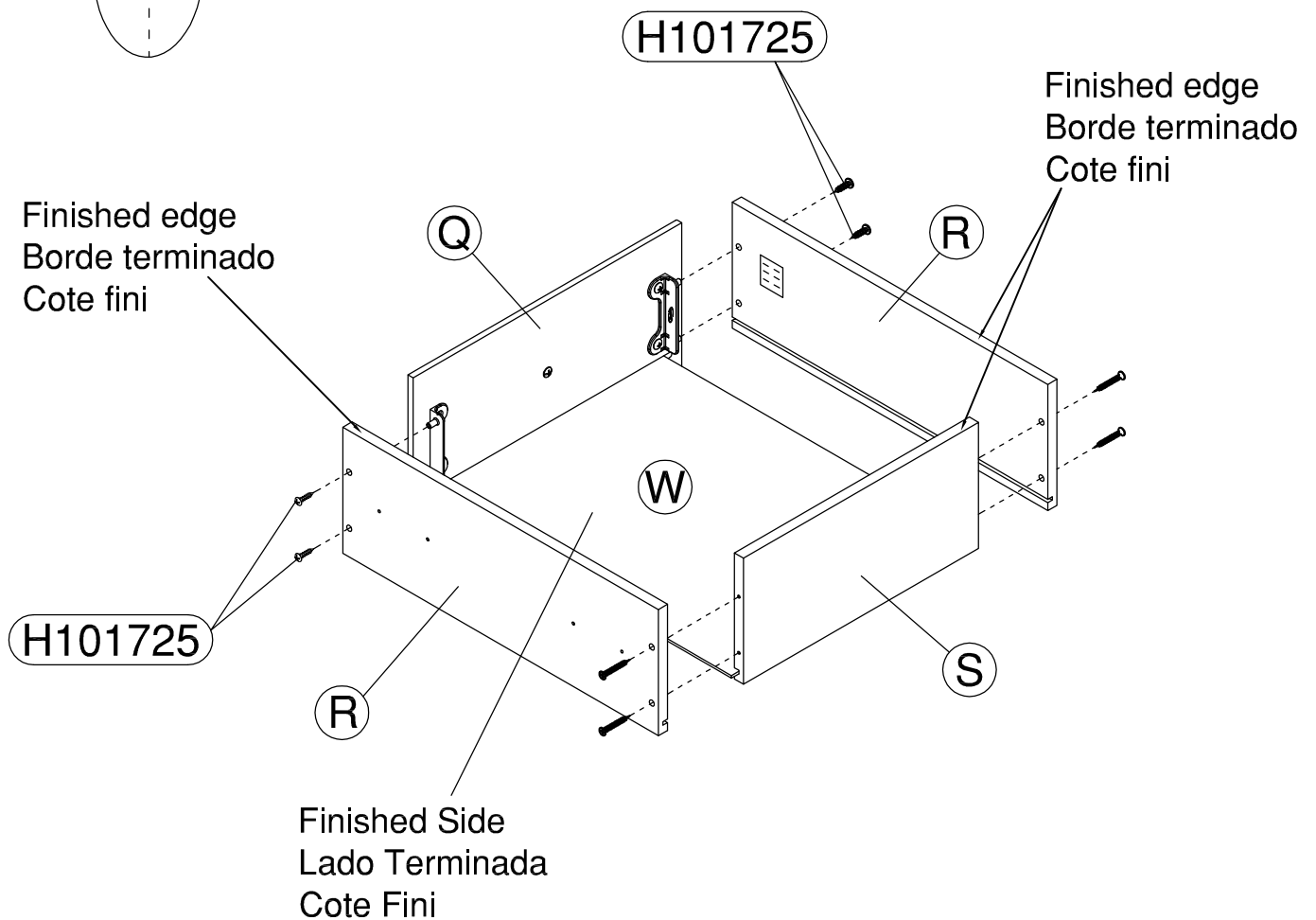
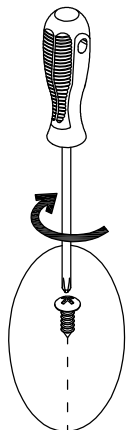
[4]

H26053



#10 x 1-1/4"

[4]

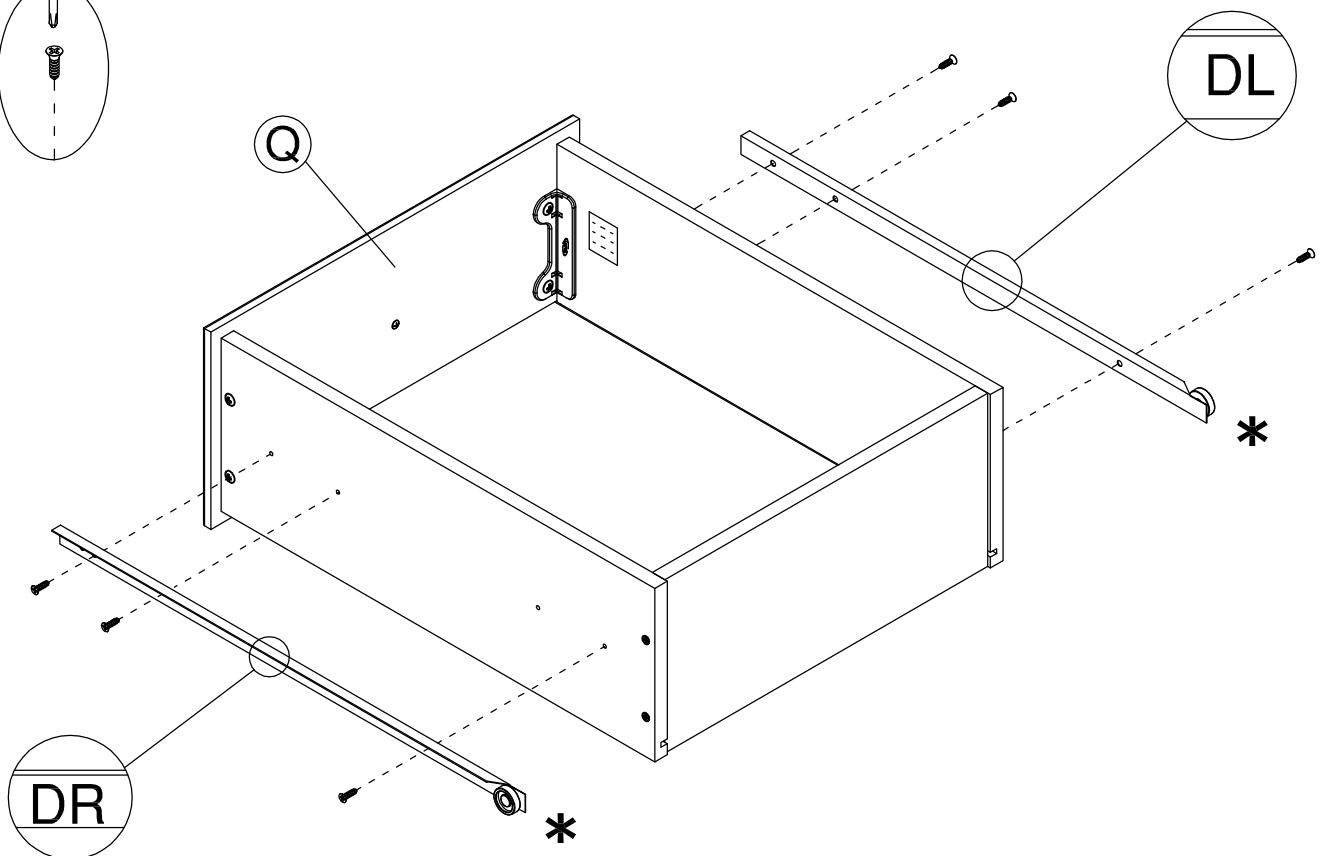
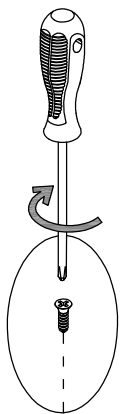
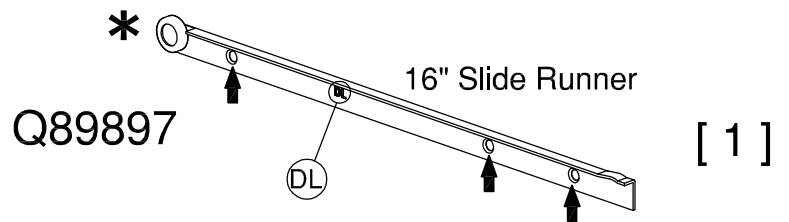
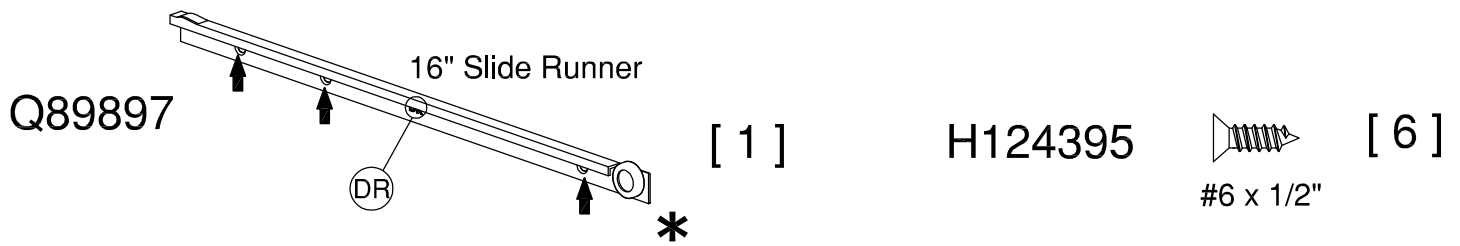


Have an assembly question or need a replacement part? Just call
1-800-950-4782, we are here to help.

STEP 3

Install Slide Runners

A199247B



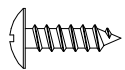
Have an assembly question or need a replacement part? Just call
1-800-950-4782, we are here to help.

STEP 4

Assemble Panels

A199247B

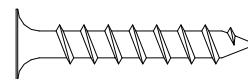
H101725



[4]

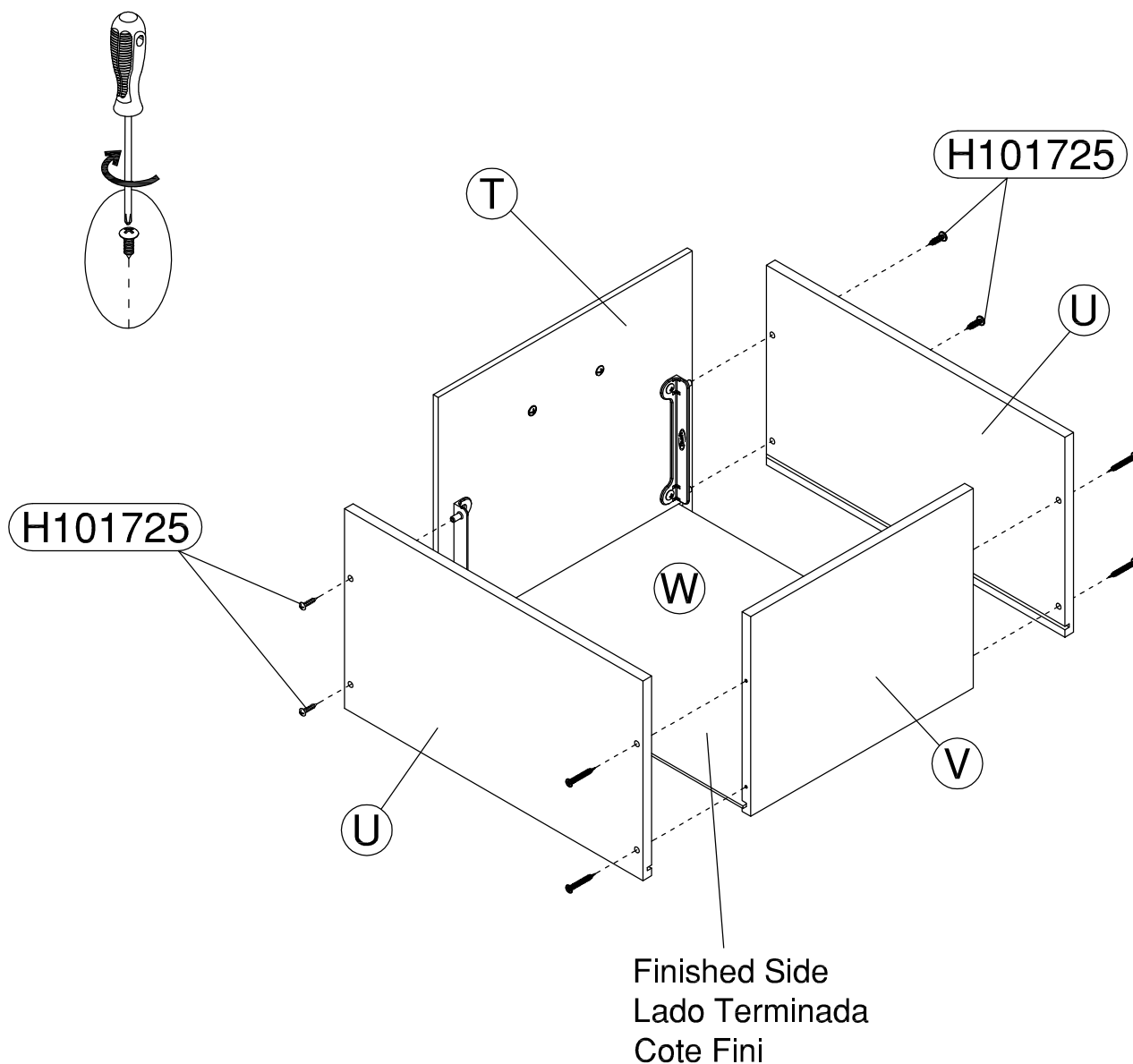
#6 x 1/2"

H26053



[4]

#10 x 1-1/4"



Have an assembly question or need a replacement part? Just call
1-800-950-4782, we are here to help.

Scan QR Code to Watch Video on:

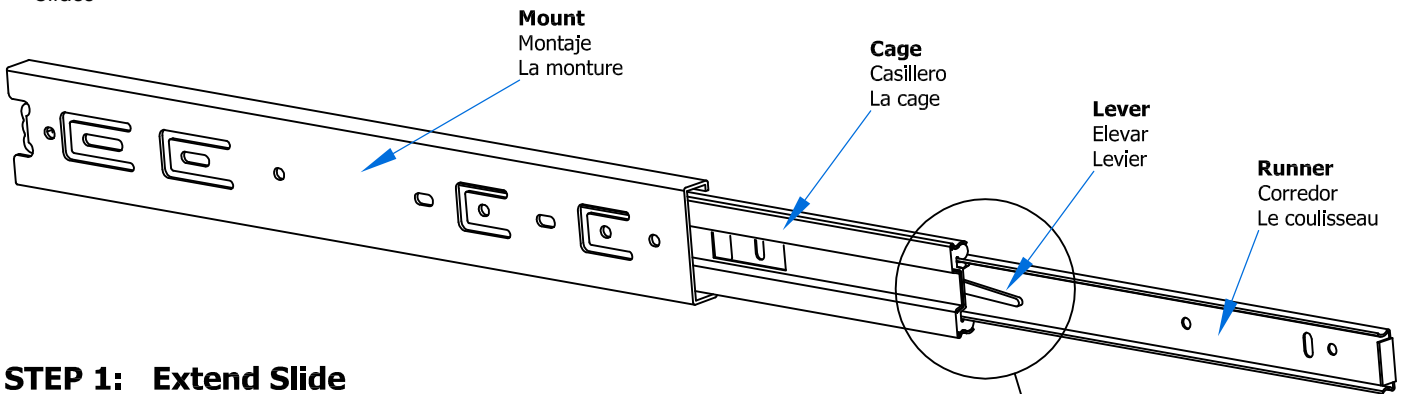


How to Separate and Install Drawer Slides

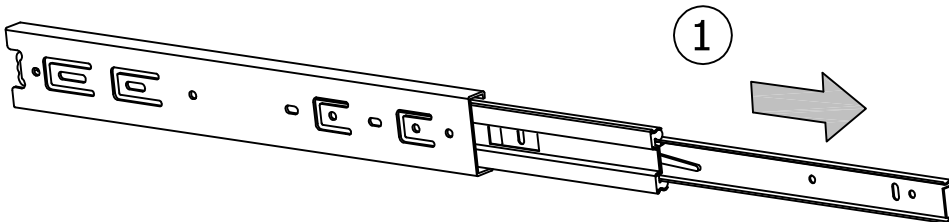
Slides Must Be Separated Before Assembly. After Separated, Set Aside Until Needed for Assembly.

Las diapositivas deben separarse antes del montaje.
Después de la separación, déjelo a un lado hasta que sea necesario.

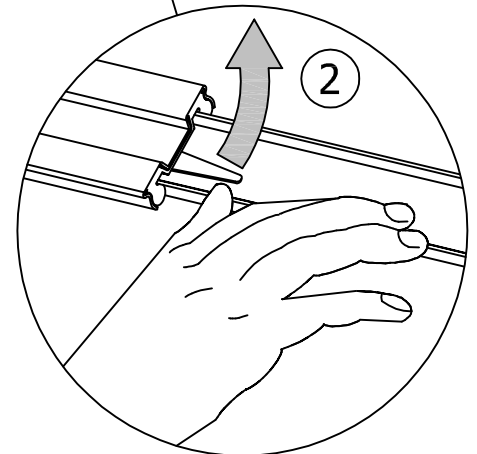
Les glissières doivent être séparées avant l'assemblage.
Après la séparation, mettez de côté jusqu'au moment de l'assemblage.



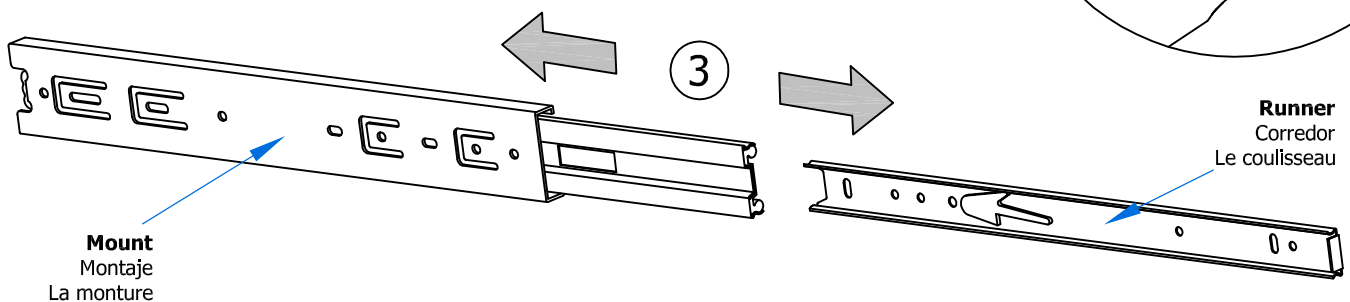
STEP 1: Extend Slide
Extender la diapositiva
Extendre la diapositive



STEP 2: Push Lever UP
Empujar hacia arriba
Lever le levier



STEP 3: Remove Runner
Quitar el corredor
Enlever le coureur



Have an assembly question or need a replacement part? Just call **1-800-950-4782**, we are here to help.

STEP 6

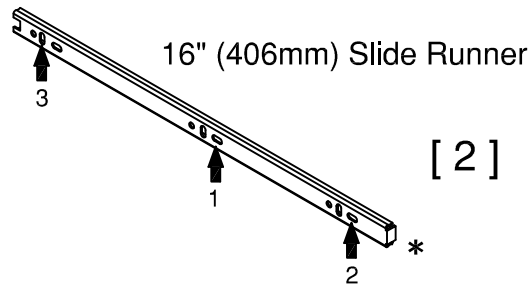
Install Slide Runners

A199247B

Scan QR Code to Watch Video on:



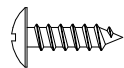
How to Separate and Install Drawer Slides



H167909

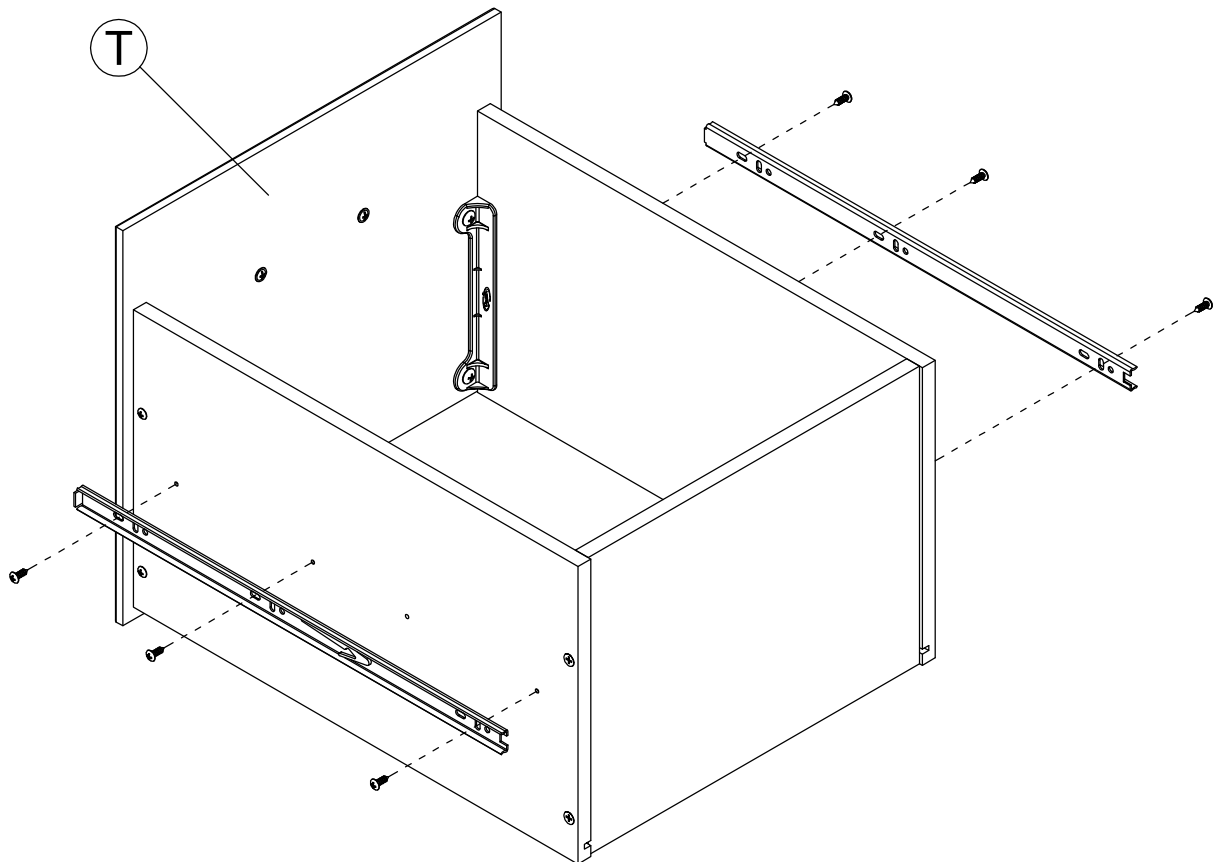
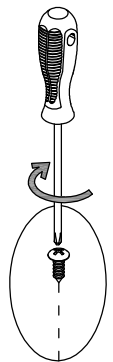
[2]

H101725



[6]

#6 x 1/2"



Have an assembly question or need a replacement part? Just call **1-800-950-4782**, we are here to help.

STEP 7

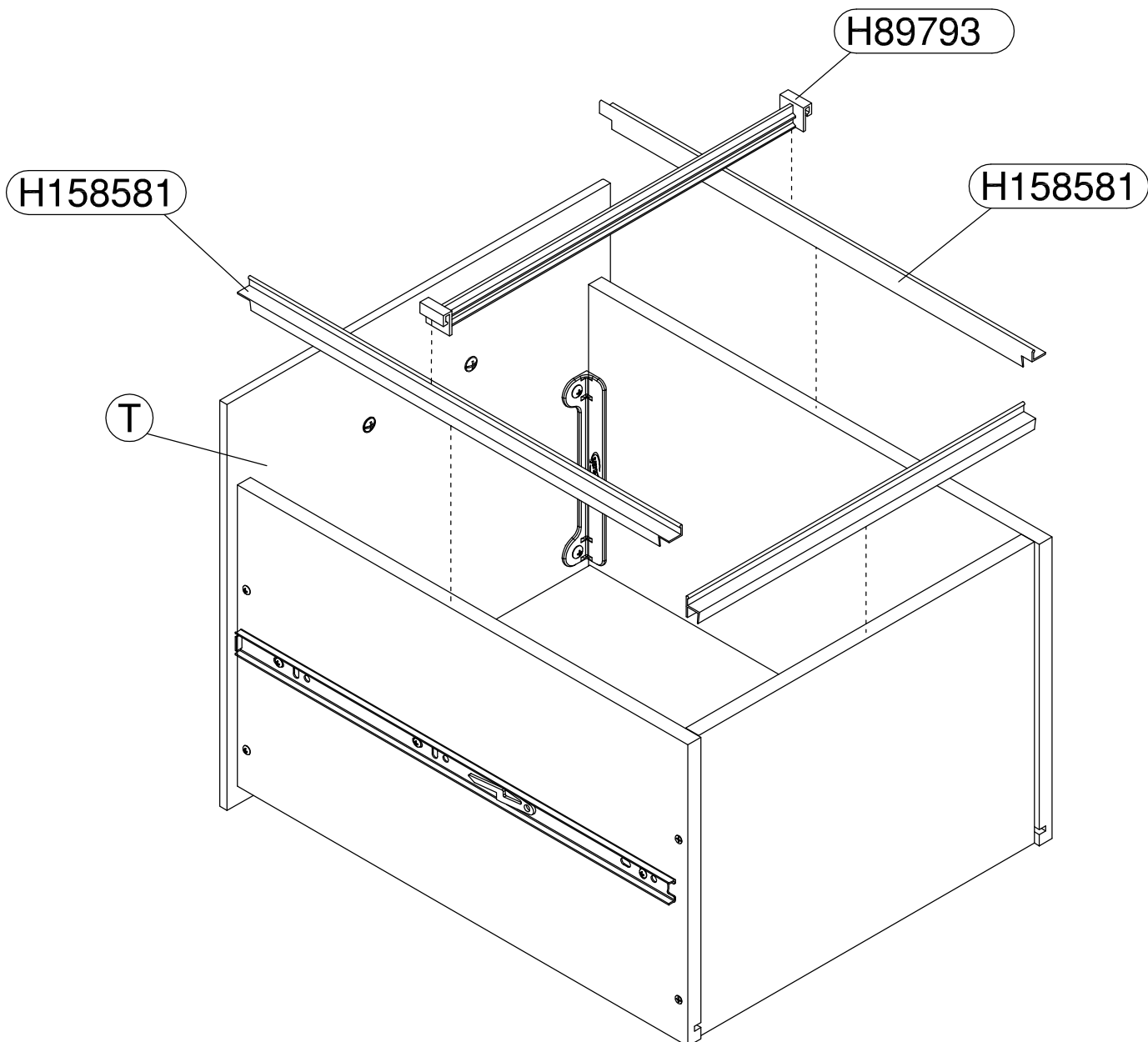
Install Hardware

A199247B

H89793 [1]
File Bar
12-1/2" (318mm)

H153475 [1]
File Extrusion
12" (308mm)

H158581 [2]
File Extrusion
16-3/8" (416mm)



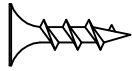
Have an assembly question or need a replacement part? Just call
1-800-950-4782, we are here to help.

STEP 8

Prepare Panel

A199247B

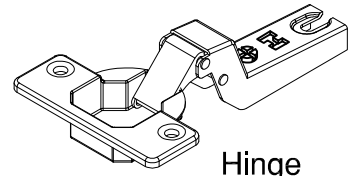
H153242



#8 x 5/8"

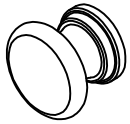
[4]

H166299



Hinge

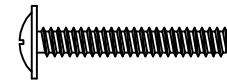
[2]



Knob

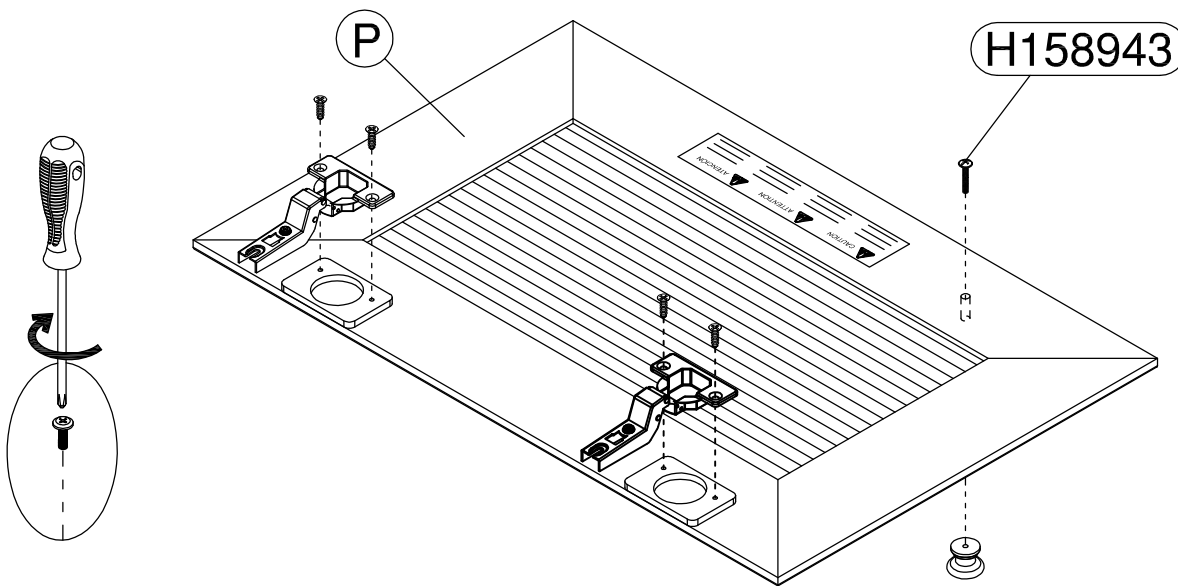
[1]

H158943



M4 x 25mm

[1]



CAUTION

Electronic equipment may overheat causing damage. Do Not store electronic equipment behind doors.



ATTENTION

El equipo electrónico puede sobrecalentarse y causar daños. No almacene equipos electrónicos detrás de las puertas.



ATENCIÓN

L'équipement électronique peut surchauffer et causer des dommages. Ne stockez pas d'équipement électronique derrière des portes.

C190252



CAUTION



Risk of breaking glass. Handle glass carefully during assembly. Use eye and hand protection. Improper handling can result in cuts or lacerations.

Riesgo de romper el vidrio. Maneje el vidrio con cuidado al ensamblar esta unidad. Use protección para sus ojos y sus manos. El manejo inapropiado del vidrio puede causarle cortaduras o laceraciones.

Risque de bris de verre. Faites attention lors de la manipulation du verre pendant l'assemblage. Utilisez des protections pour les yeux et les mains. Une mauvaise manipulation peut provoquer des coupures ou des lacerations.

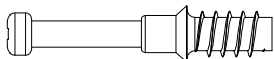
Have an assembly question or need a replacement part? Just call **1-800-950-4782**, we are here to help.

STEP 9

Prepare Panels

A199247B

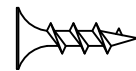
H180604



KD Bolt

[5]

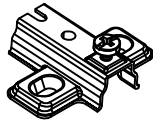
H153242



#8 x 5/8"

[4]

H166306



Mounting Plate

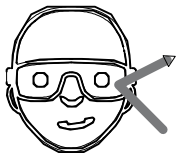
[2]

H38169

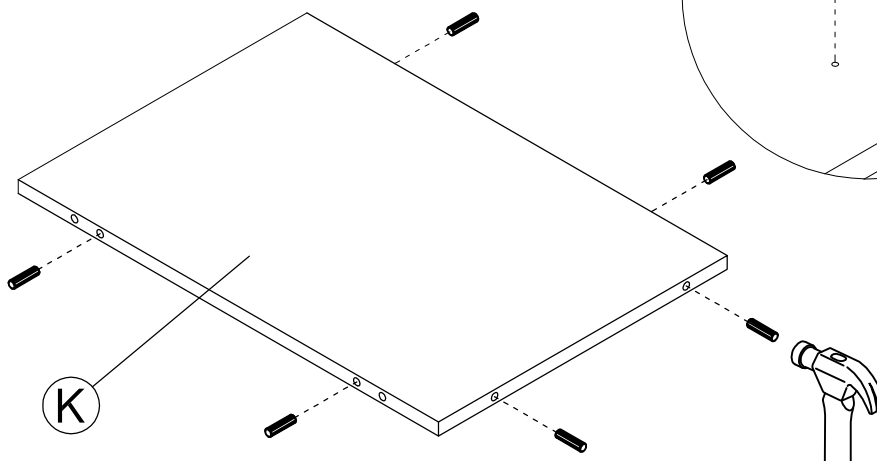
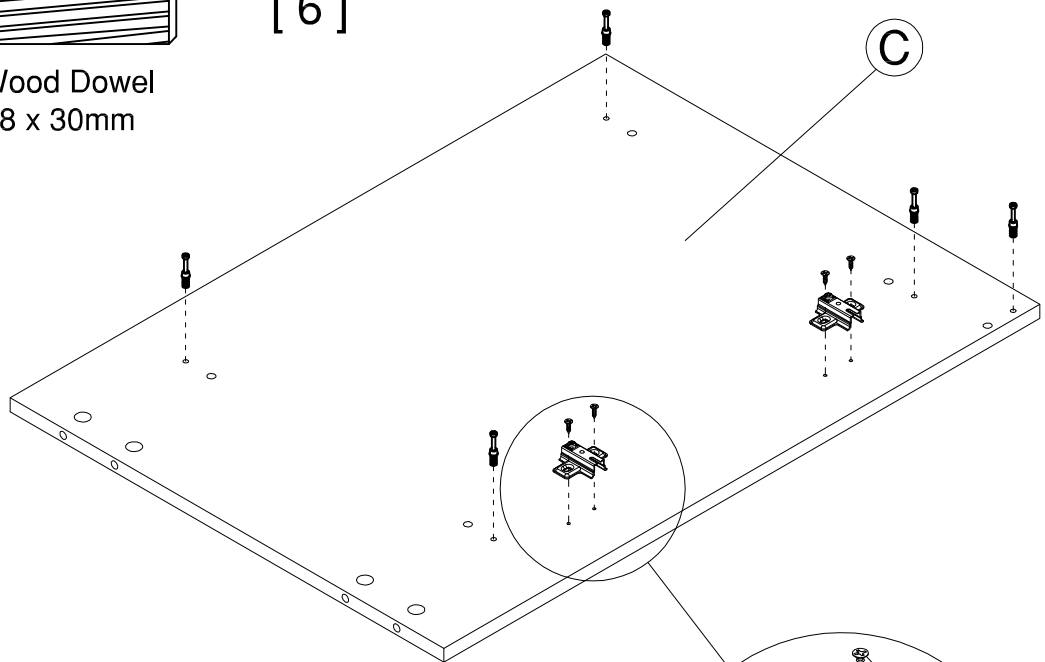


Wood Dowel
8 x 30mm

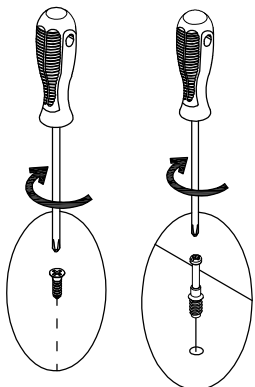
[6]



Safety glasses
Gafas de seguridad
Lunettes de protection



H153242



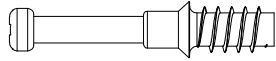
Have an assembly question or need a replacement part? Just call
1-800-950-4782, we are here to help.

STEP 10

Prepare Panel

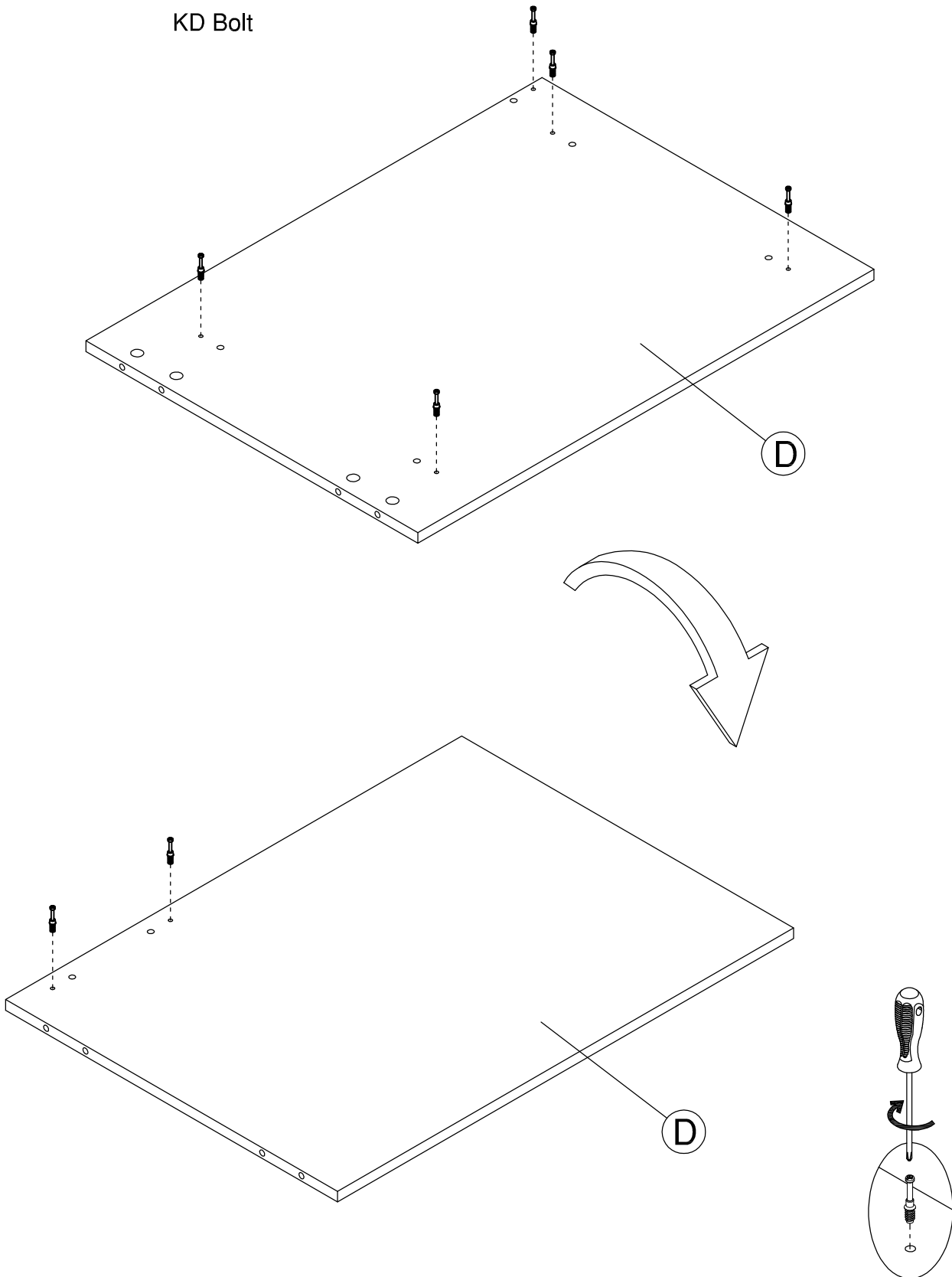
A199247B

H180604



KD Bolt

[7]



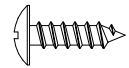
Have an assembly question or need a replacement part? Just call
1-800-950-4782, we are here to help.

STEP 11

Prepare Panels

A199247B

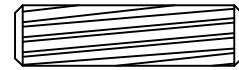
H101725



#6 x 1/2"

[2]

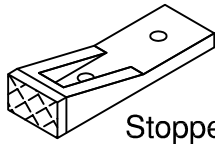
H38169



Wood Dowel
8 x 30mm

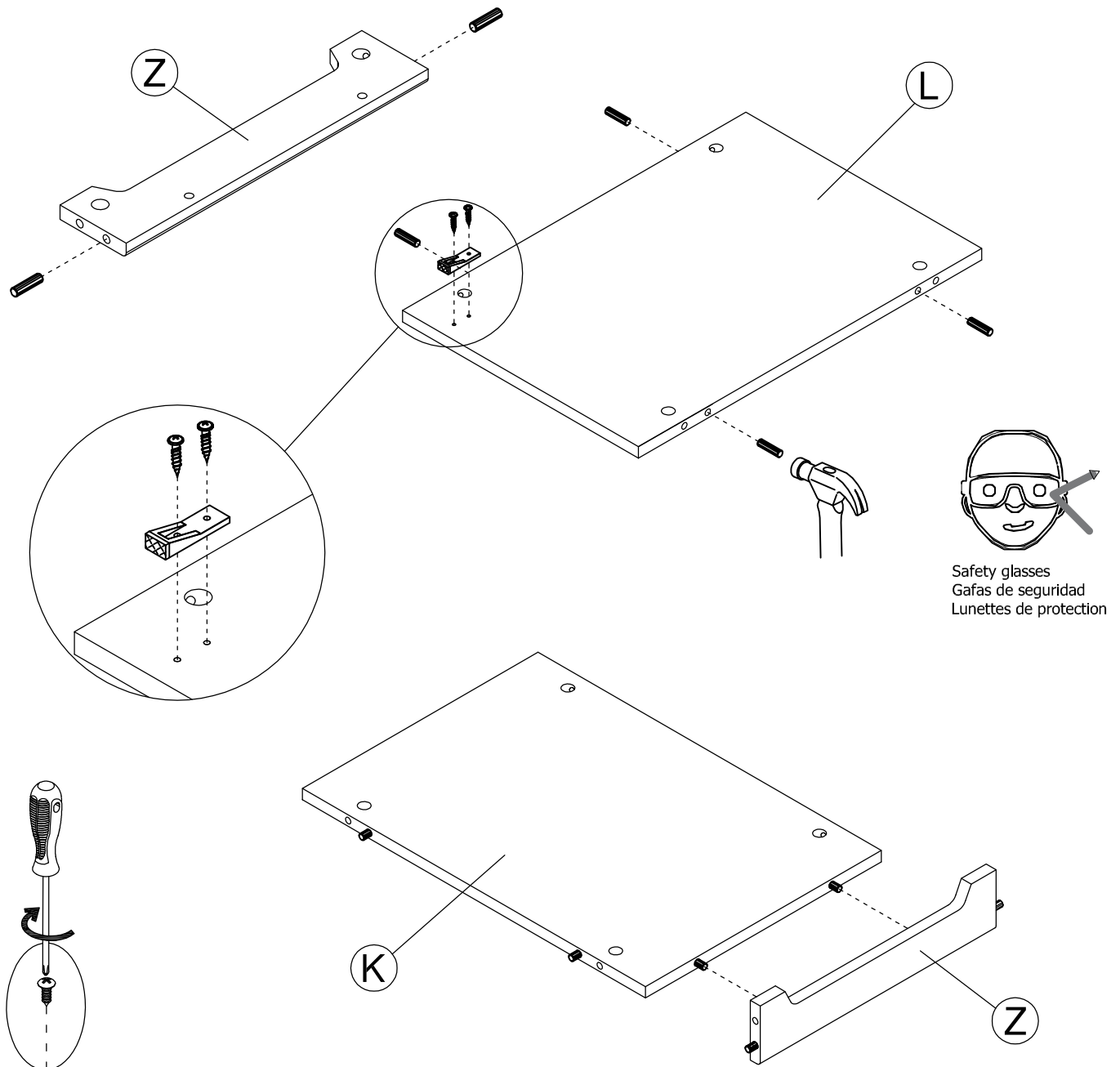
[6]

H153233



Stopper

[1]



Have an assembly question or need a replacement part? Just call
1-800-950-4782, we are here to help.

STEP 12

Assemble Panels

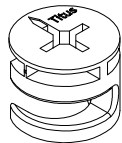
A199247B

Scan QR Code to Watch Video on:



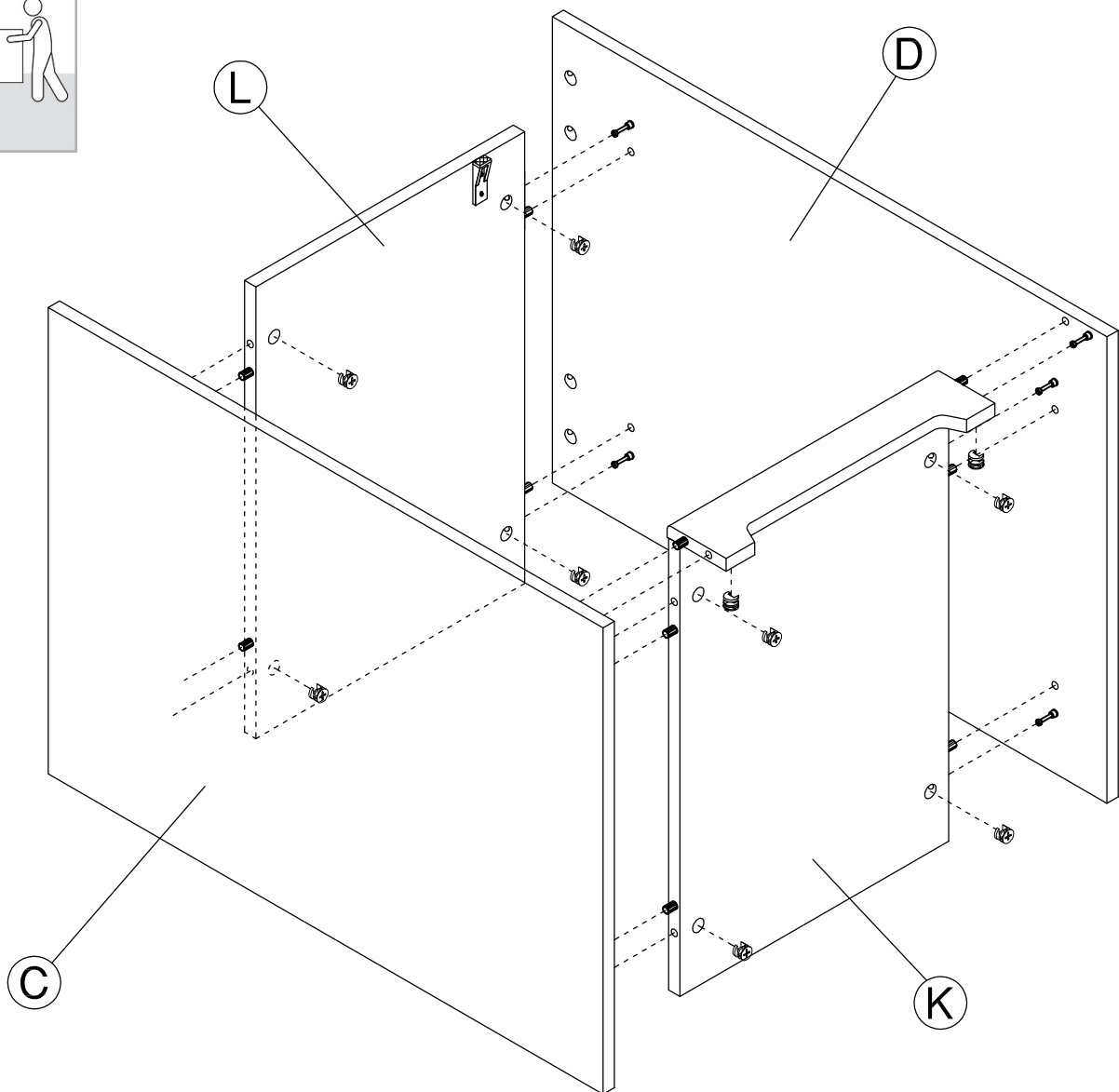
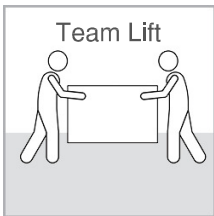
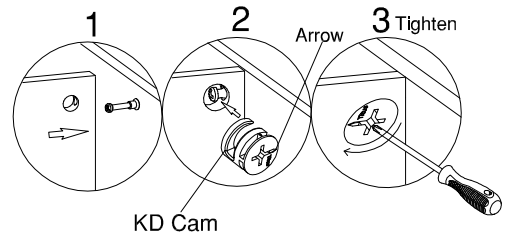
How to Tighten KD Cams

H181468



KD Cam

[10]



Have an assembly question or need a replacement part? Just call **1-800-950-4782**, we are here to help.

STEP 13


Prepare Panel


A199247B

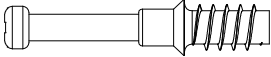
Scan QR Code to Watch Video on:

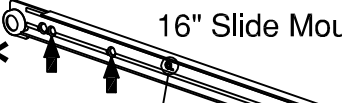


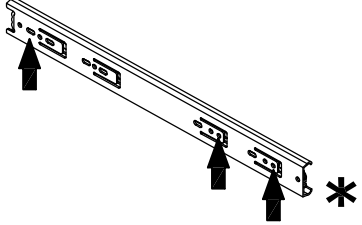
How to Separate and Install Drawer Slides

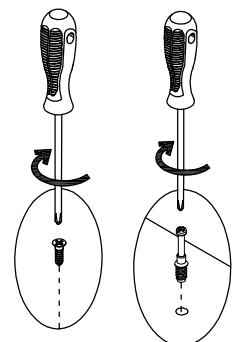
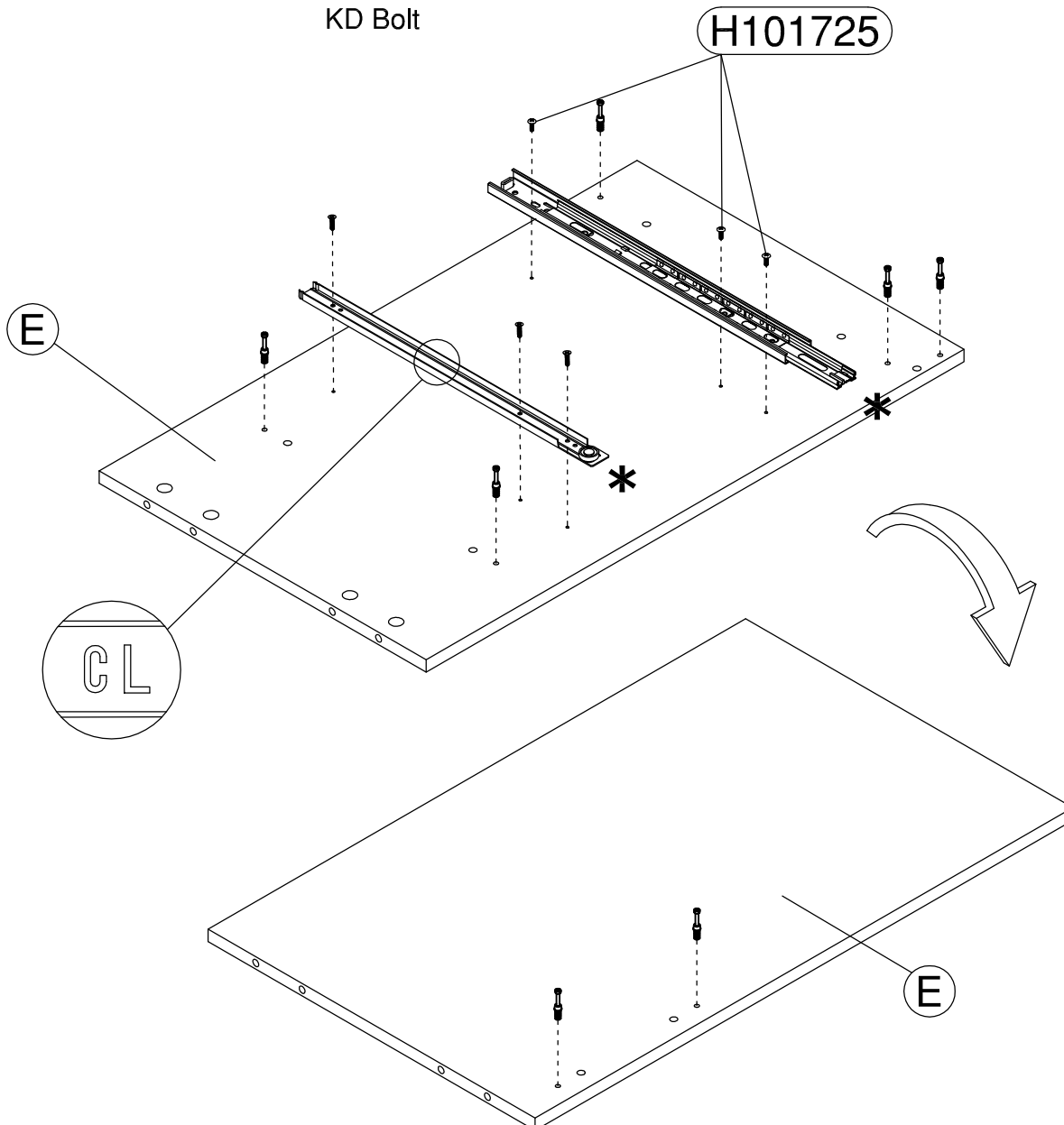
H124395  [3]
#6 x 1/2"

H101725  [3]
#6 x 1/2"

H180604  [7]
KD Bolt

Q89897 *  16" Slide Mount [1]

H167909  16" (406mm) Slide Mount [1]



Have an assembly question or need a replacement part? Just call **1-800-950-4782**, we are here to help.

STEP 14

Prepare Panel

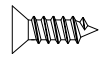
A199247B

Scan QR Code to Watch Video on:



How to Separate and Install Drawer Slides

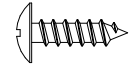
H124395



[3]

#6 x 1/2"

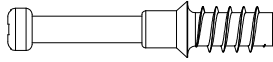
H101725



[3]

#6 x 1/2"

H180604



[5]

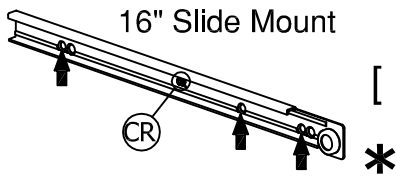
KD Bolt

Q89897

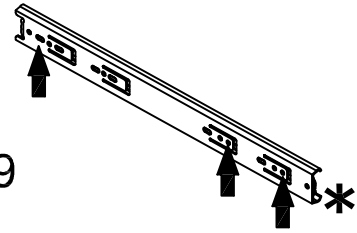
16" Slide Mount

[1]

CR



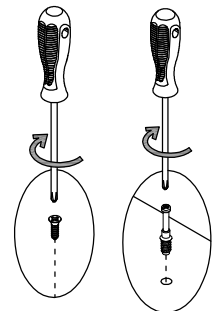
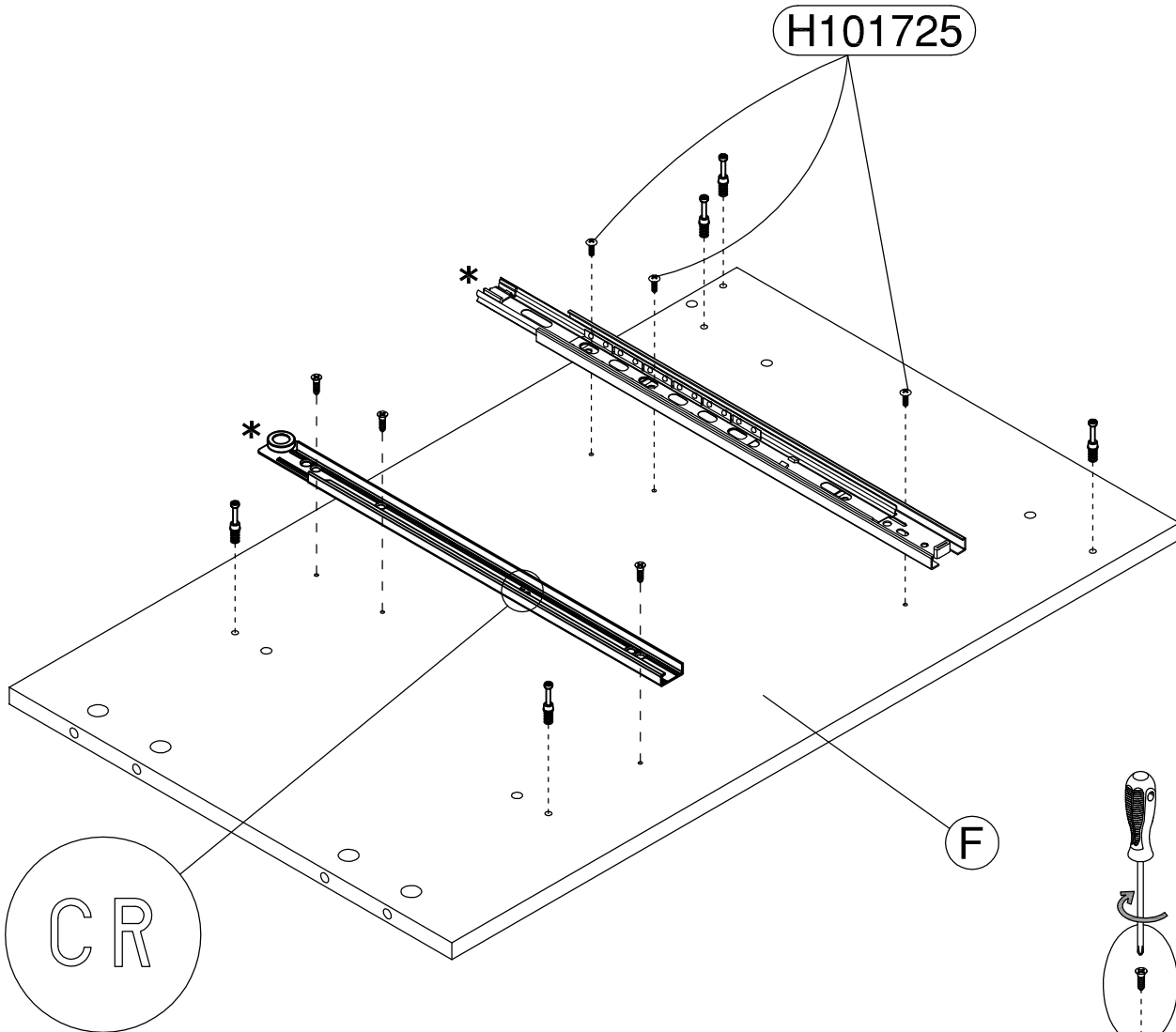
H167909



[1]

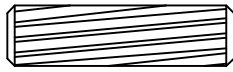
16" (406mm) Slide Mount

H101725



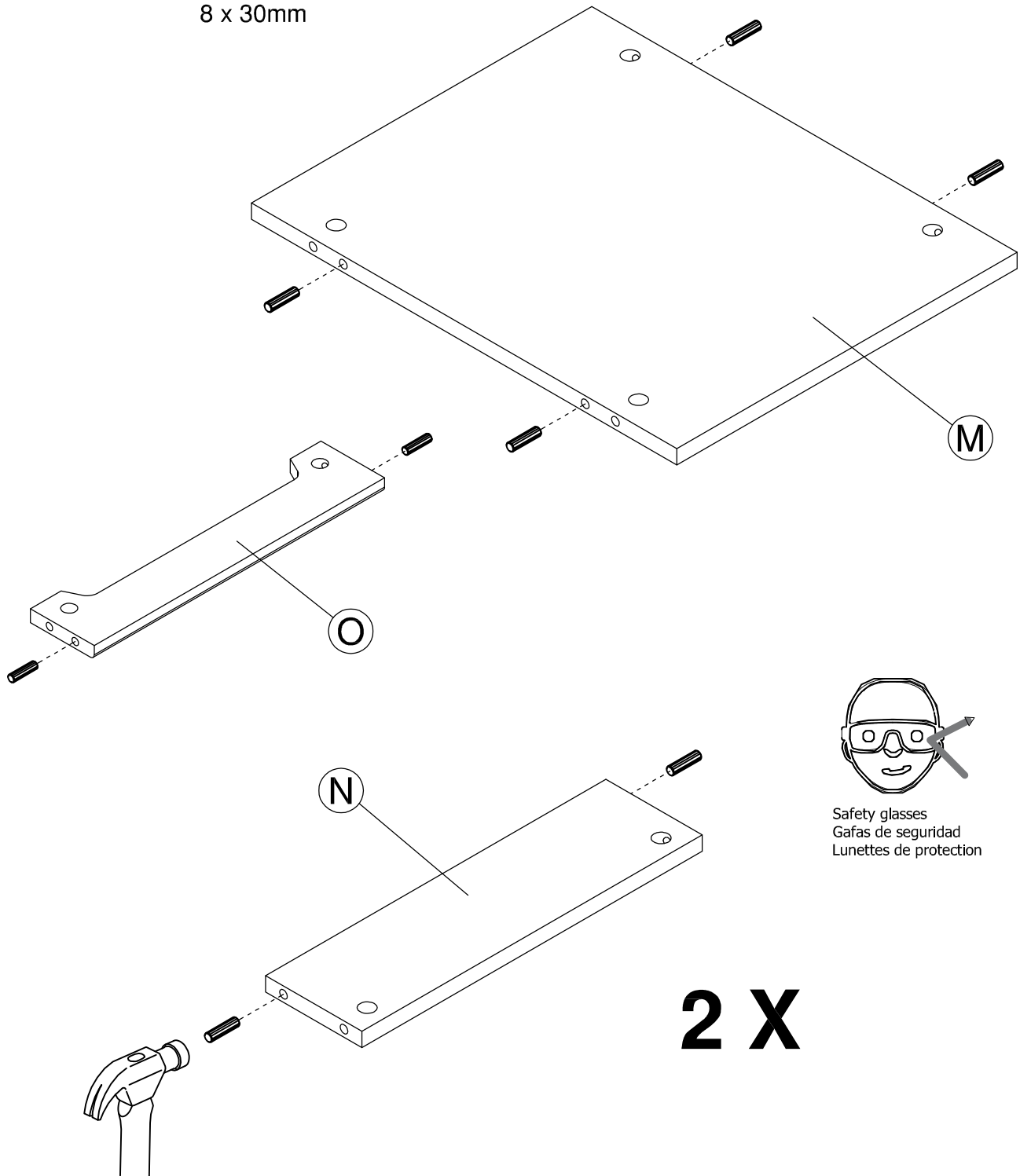
Have an assembly question or need a replacement part? Just call **1-800-950-4782**, we are here to help.

H38169



[10]

Wood Dowel
8 x 30mm



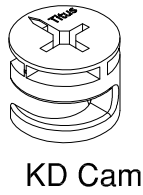
Have an assembly question or need a replacement part? Just call
1-800-950-4782, we are here to help.

Scan QR Code to Watch Video on:

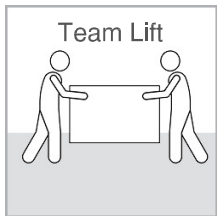
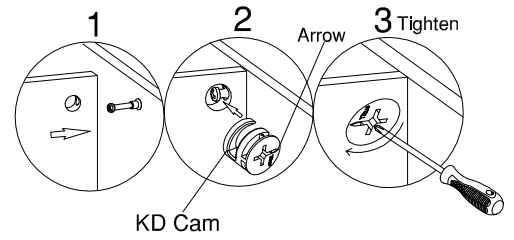


How to Tighten KD Cams

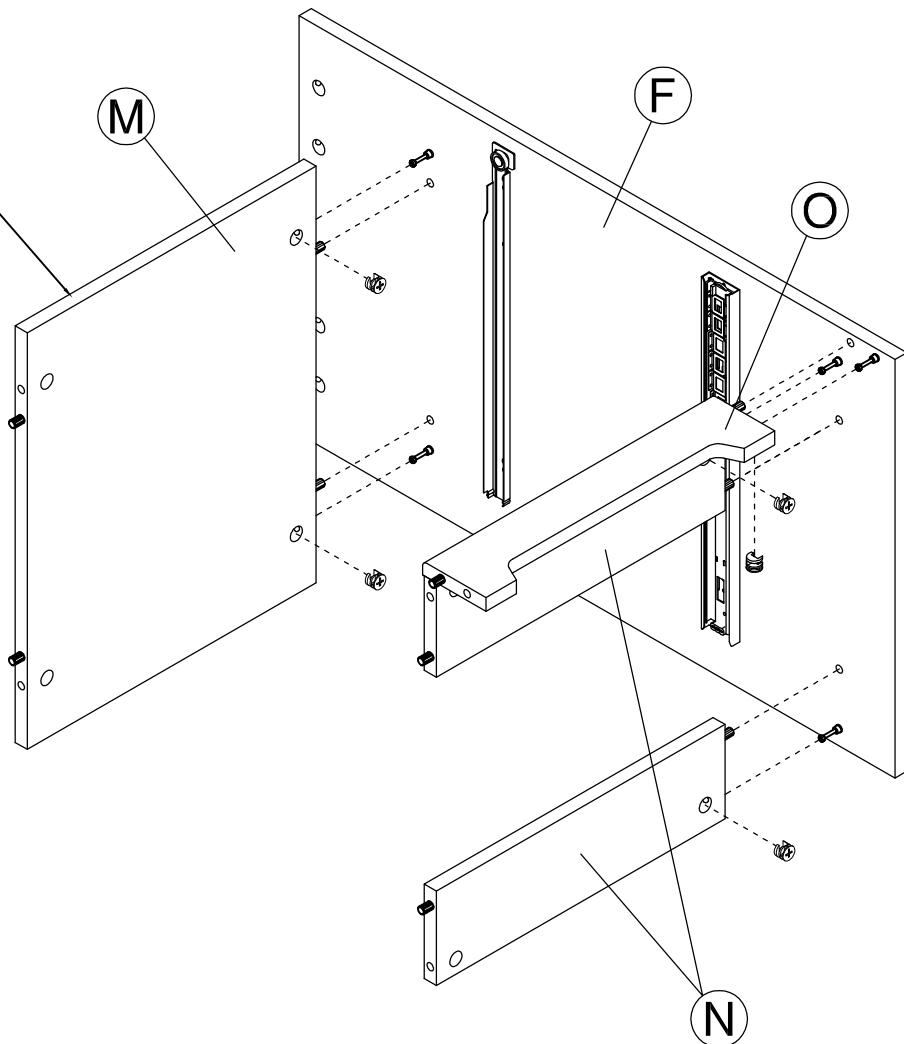
H181468



[5]



Finished edge
Borde terminado
Cote fini



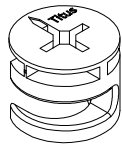
Have an assembly question or need a replacement part? Just call **1-800-950-4782**, we are here to help.

Scan QR Code to Watch Video on:



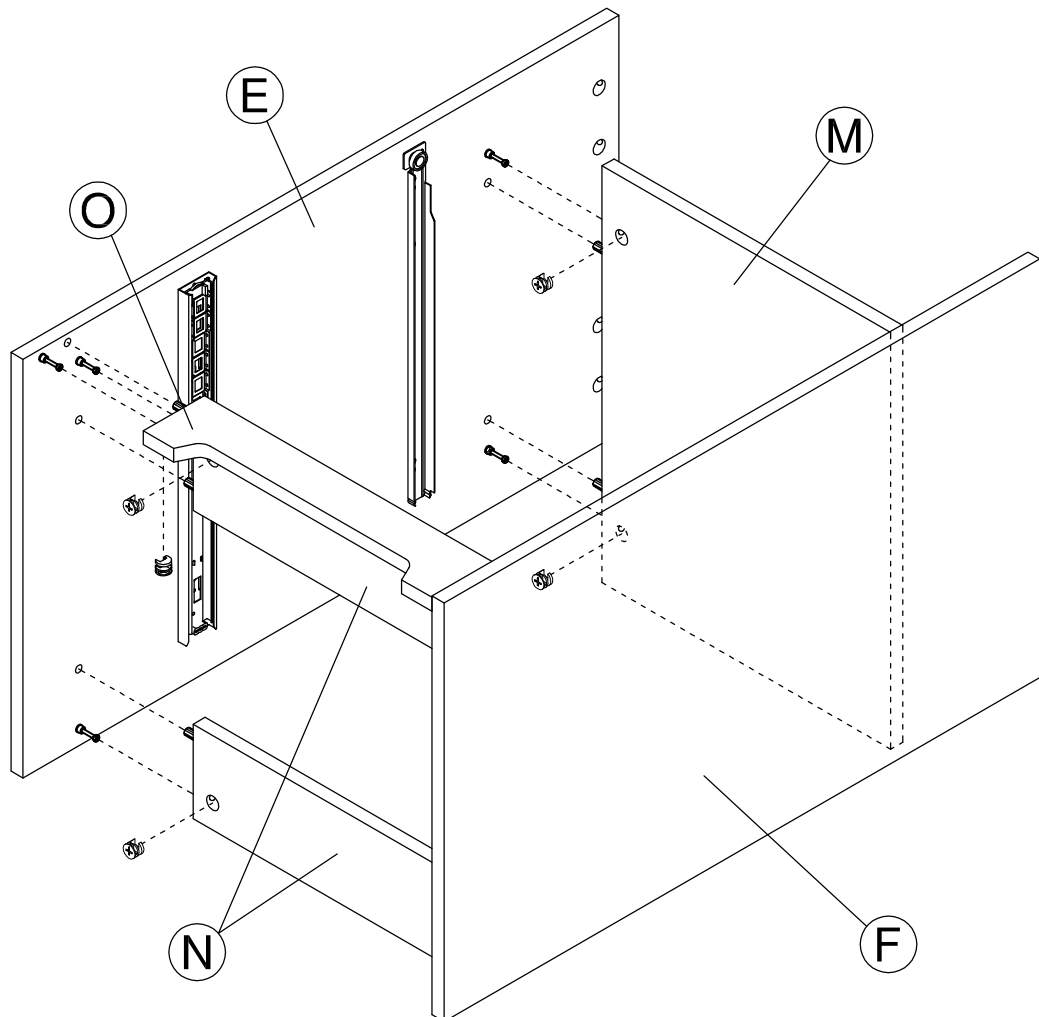
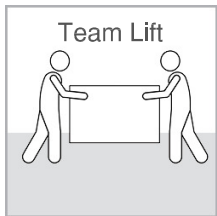
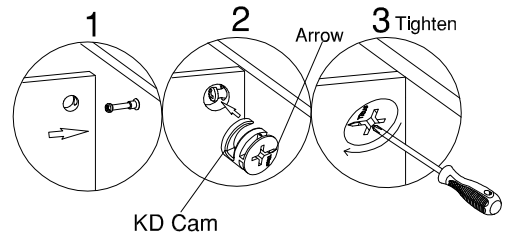
How to Tighten KD Cams

H181468



KD Cam

[5]



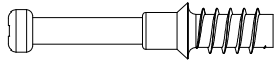
Have an assembly question or need a replacement part? Just call **1-800-950-4782**, we are here to help.

STEP 18

Prepare Panels

A199247B

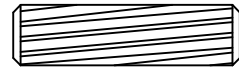
H180604



[3]

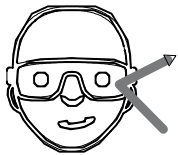
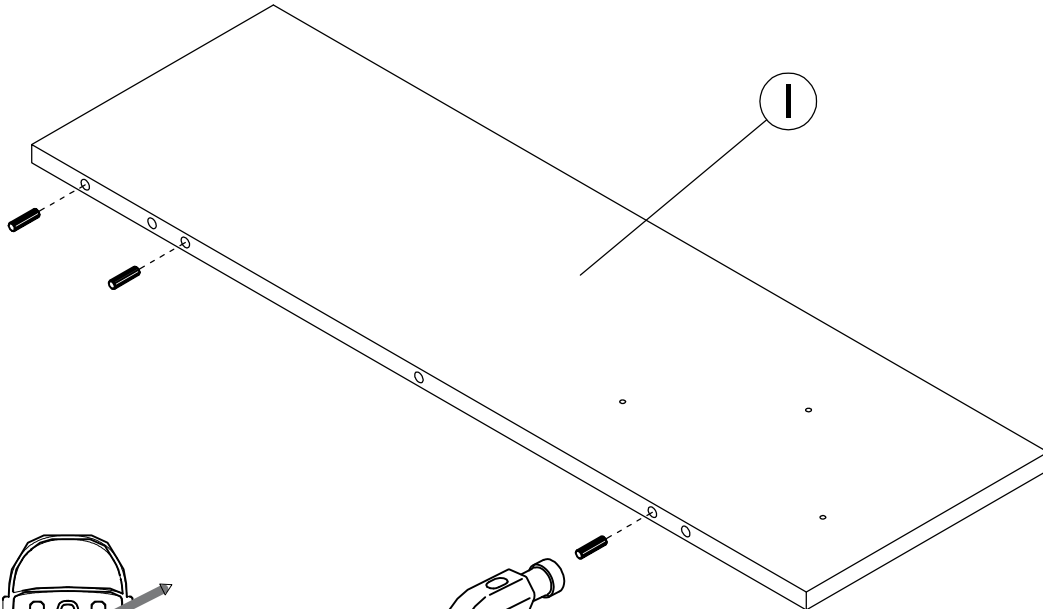
KD Bolt

H38169

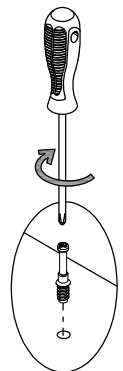
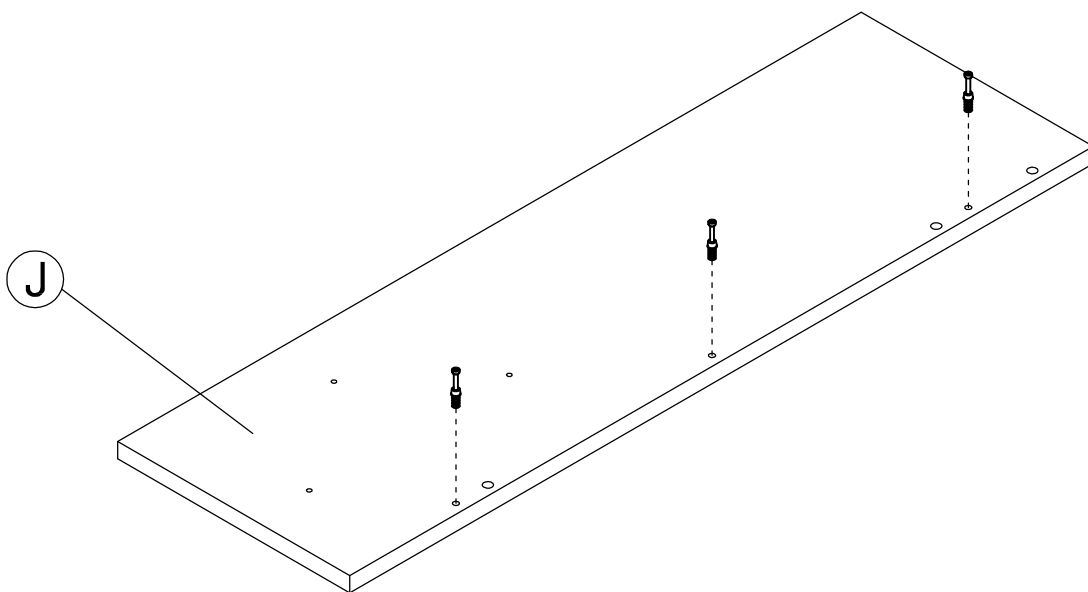
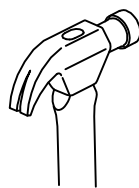


[3]

Wood Dowel
8 x 30mm



Safety glasses
Gafas de seguridad
Lunettes de protection

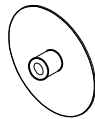
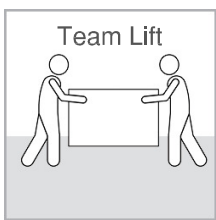


Have an assembly question or need a replacement part? Just call
1-800-950-4782, we are here to help.

Scan QR Code to Watch Video on:

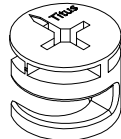


How to Tighten KD Cams



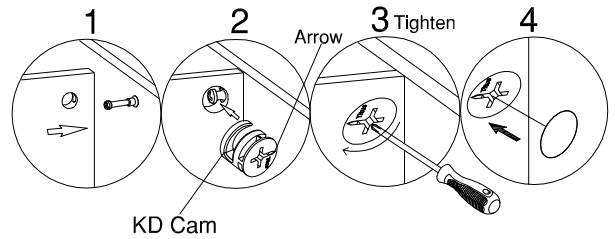
Cover Cap

[3]

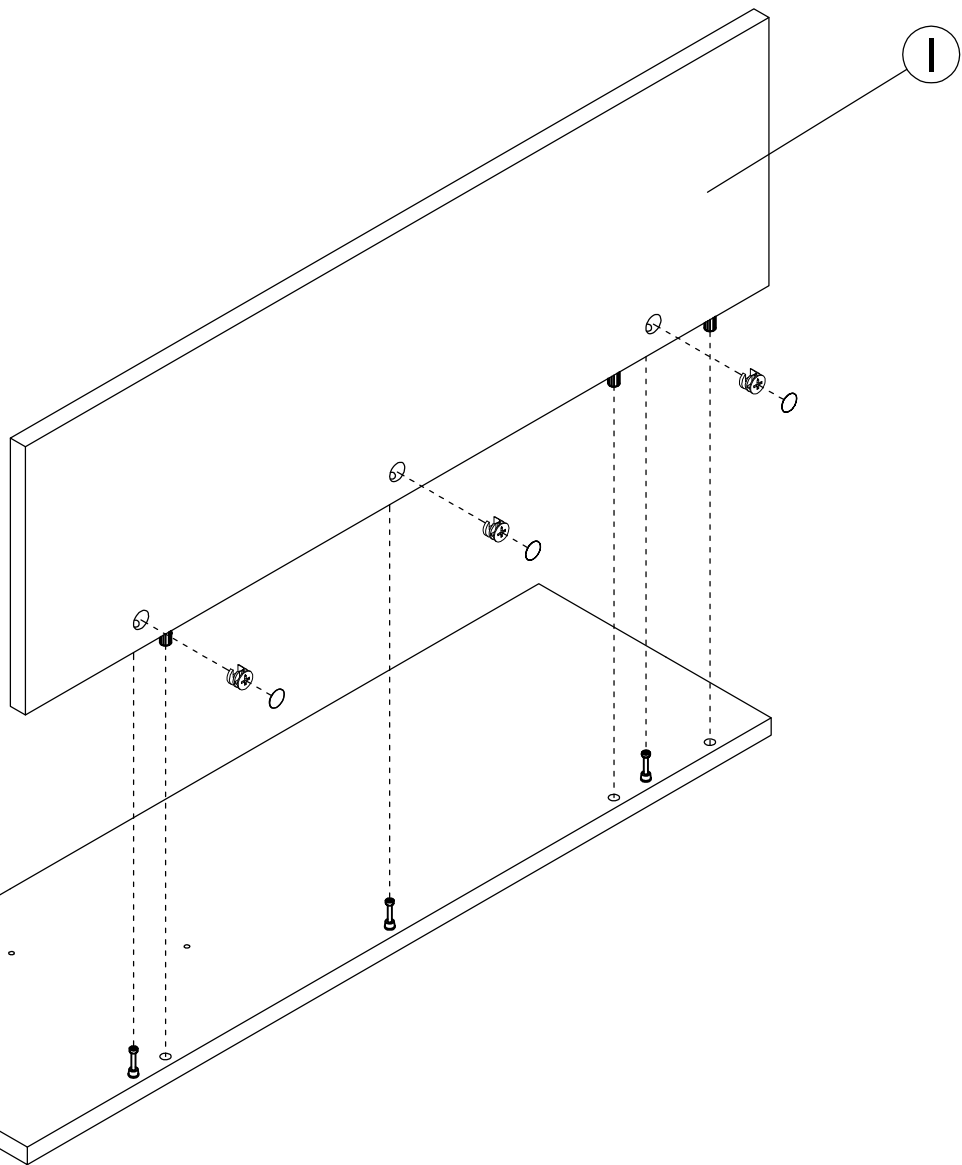


KD Cam

[3]

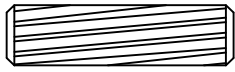


H181468



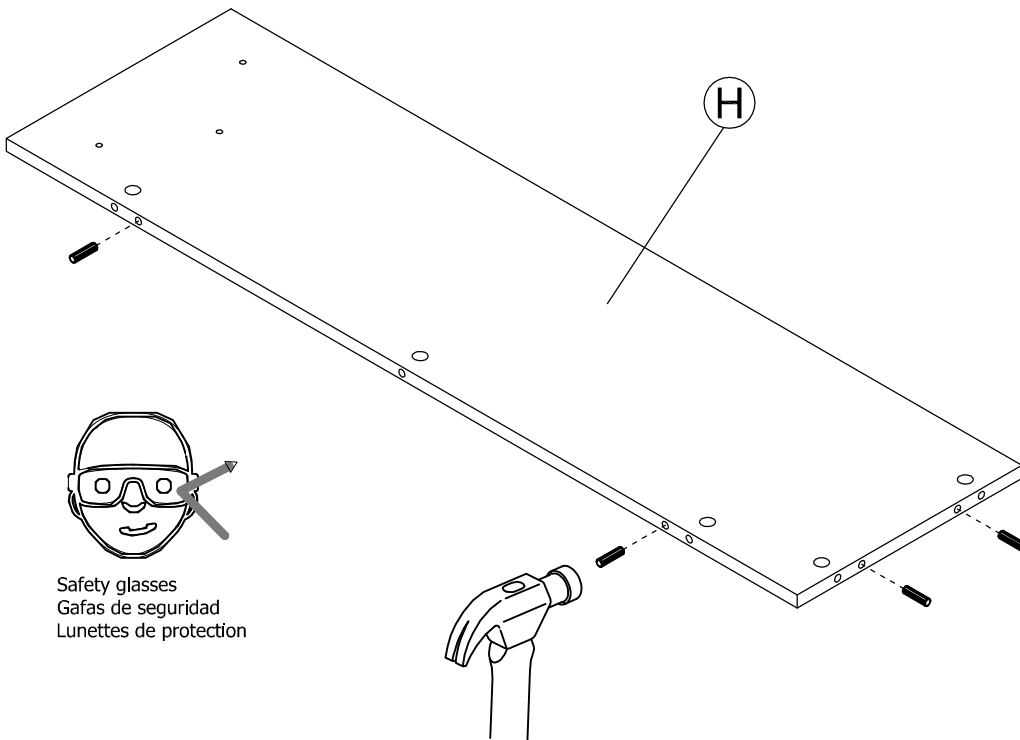
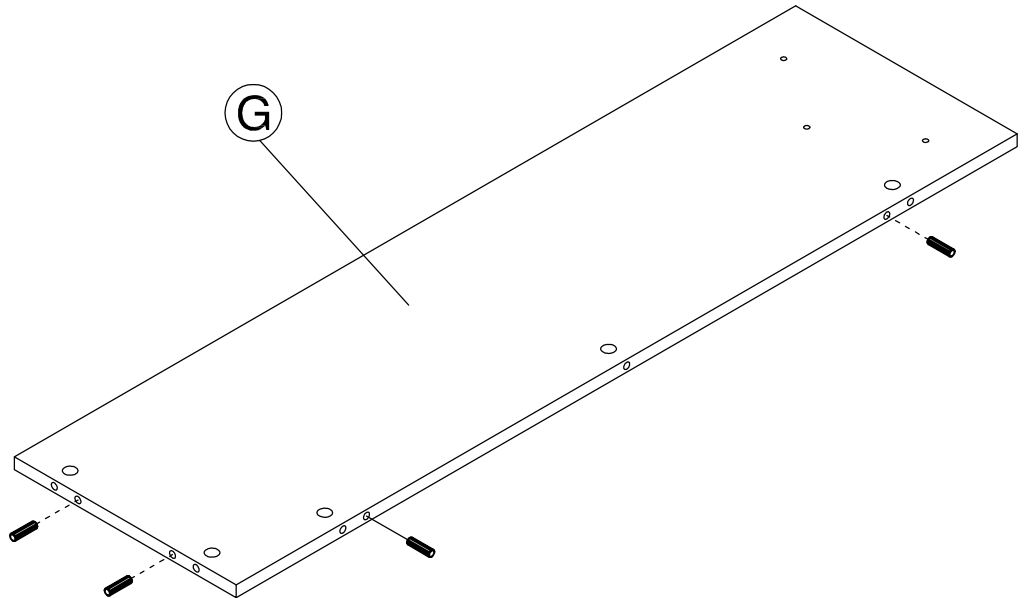
Have an assembly question or need a replacement part? Just call **1-800-950-4782**, we are here to help.

H38169



[8]

Wood Dowel
8 x 30mm




Safety glasses
Gafas de seguridad
Lunettes de protection

Have an assembly question or need a replacement part? Just call
1-800-950-4782, we are here to help.

STEP 21

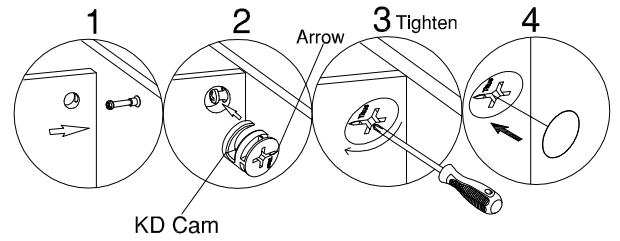
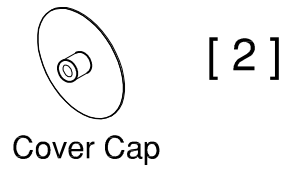
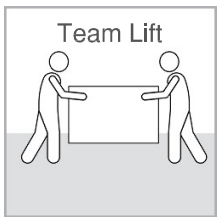
Assemble Panel

A199247B

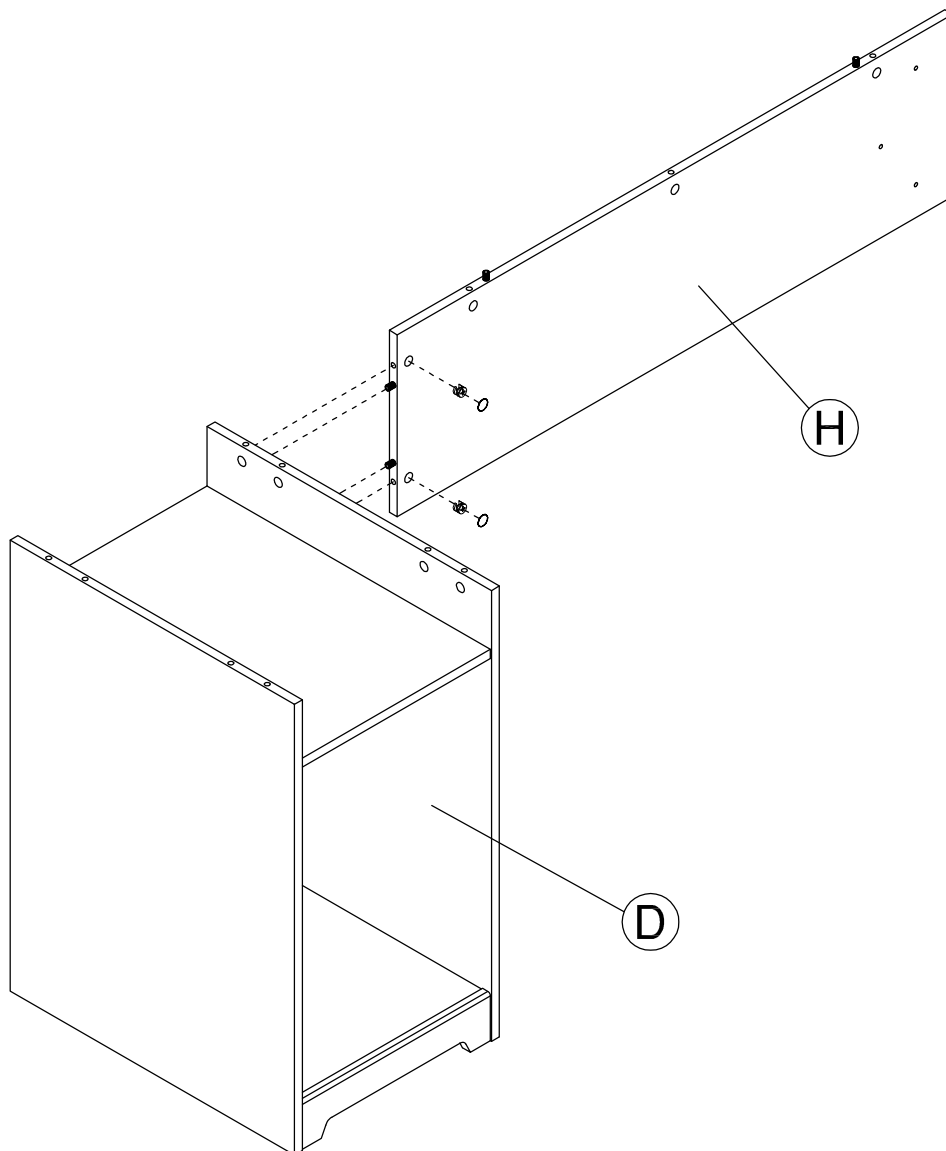
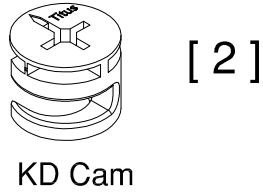
Scan QR Code to Watch Video on:



How to Tighten KD Cams



H181468

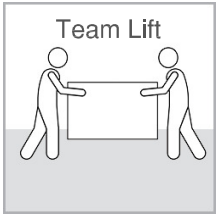


Have an assembly question or need a replacement part? Just call **1-800-950-4782**, we are here to help.

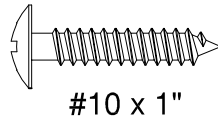
STEP 22

Assemble Panel

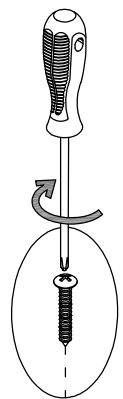
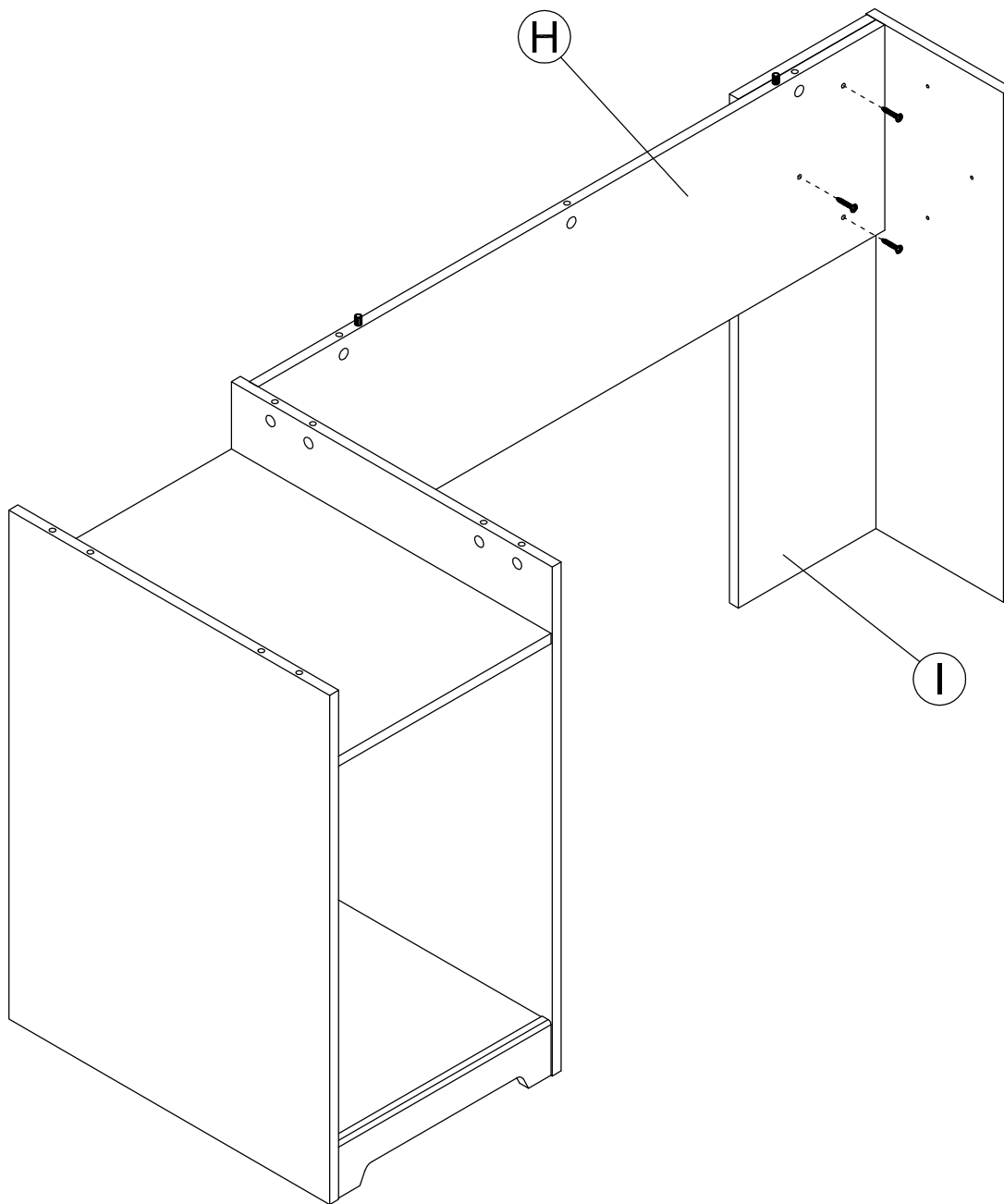
A199247B



H23682



[3]



Have an assembly question or need a replacement part? Just call
1-800-950-4782, we are here to help.

STEP 23

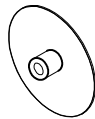
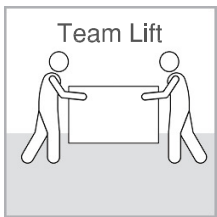
Assemble Panel

A199247B

Scan QR Code to Watch Video on:

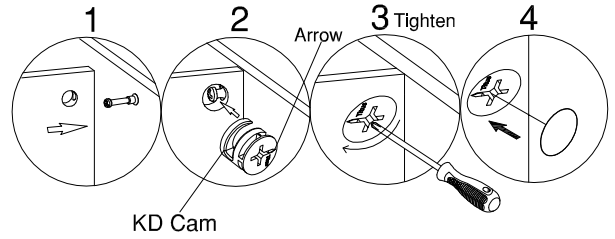


How to Tighten KD Cams



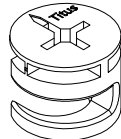
Cover Cap

[2]



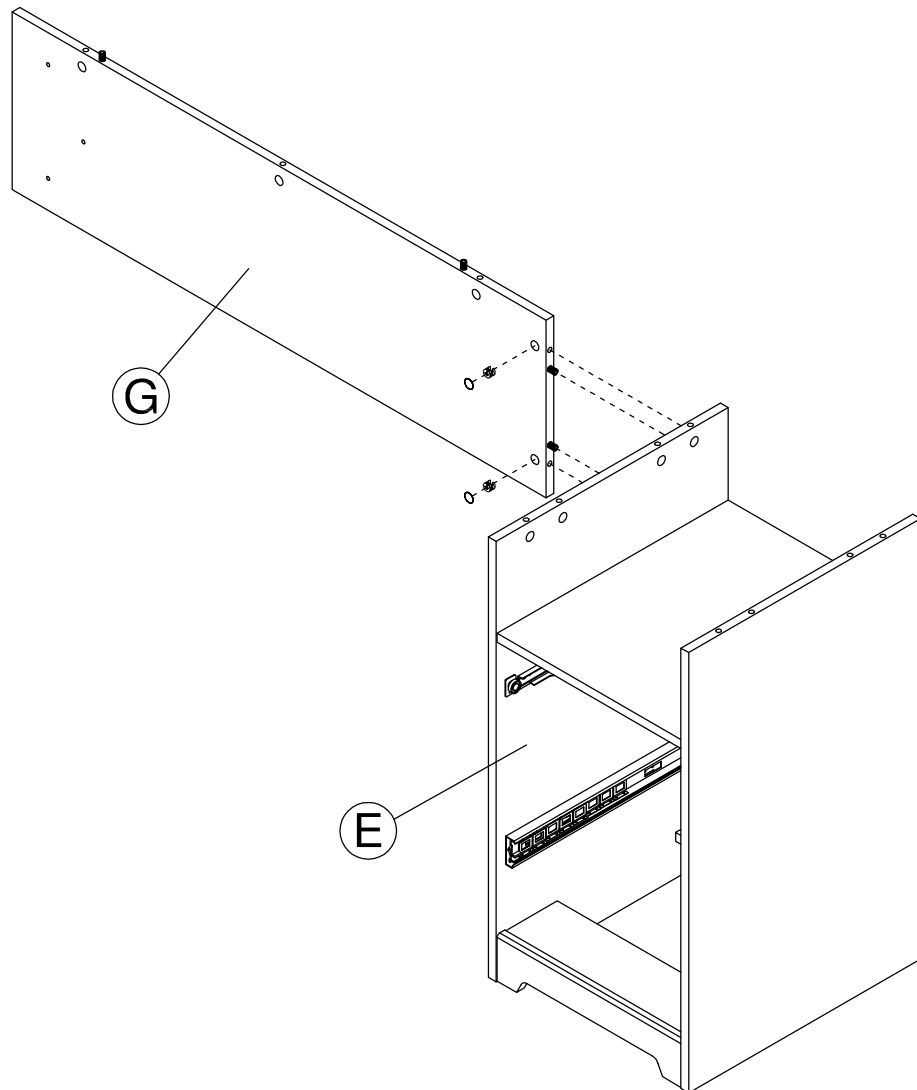
KD Cam

H181468



KD Cam

[2]

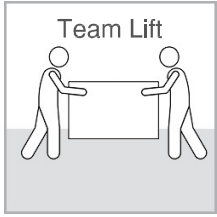


Have an assembly question or need a replacement part? Just call **1-800-950-4782**, we are here to help.

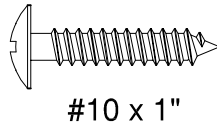
STEP 24

Assemble Panel

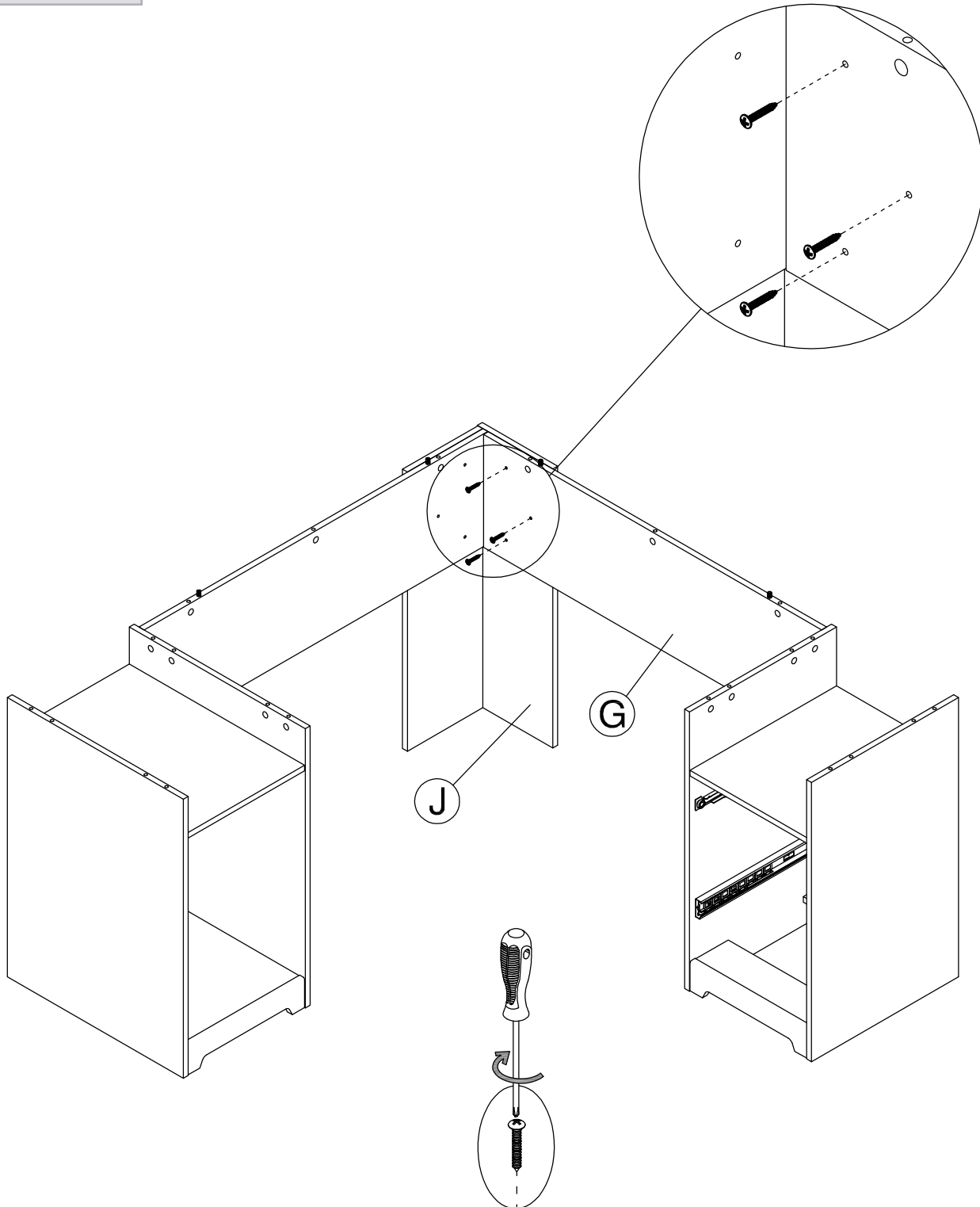
A199247B



H23682



[3]



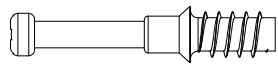
Have an assembly question or need a replacement part? Just call
1-800-950-4782, we are here to help.

STEP 25

Prepare Panels

A199247B

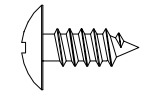
H180604



KD Bolt

[22]

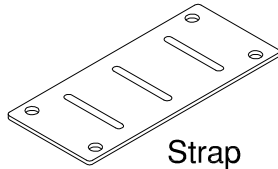
H35251



#10 x 1/2"

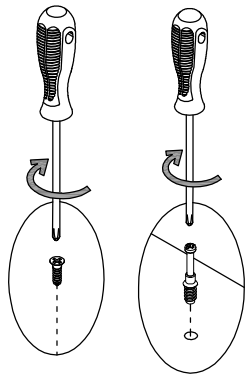
[4]

H39922

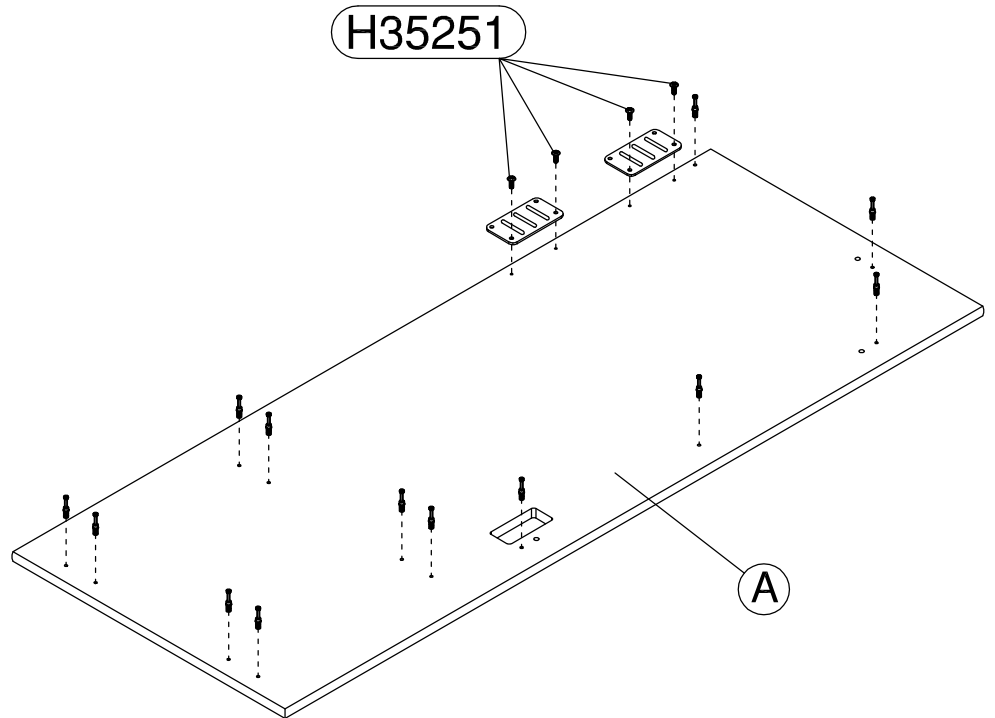


Strap

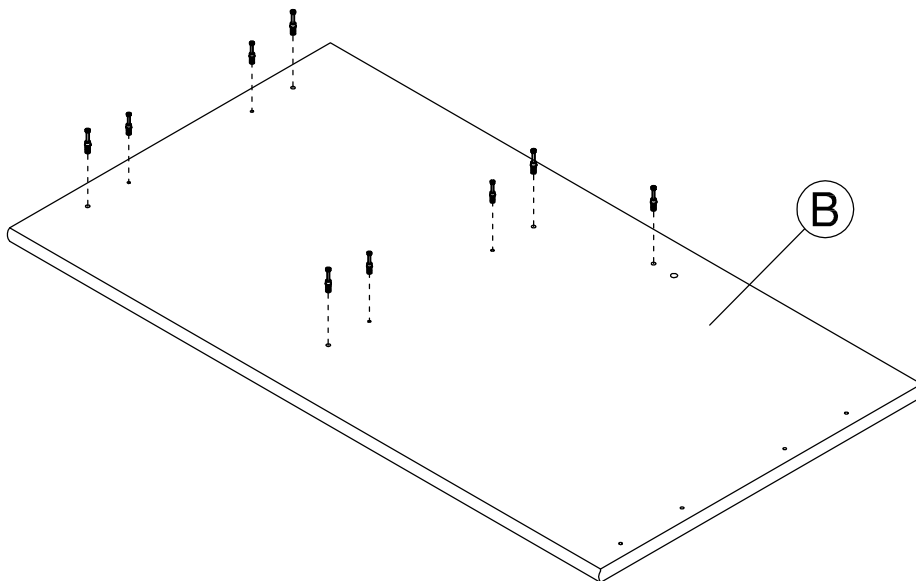
[2]



H35251



A



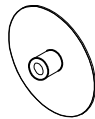
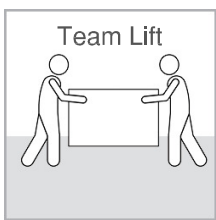
B

Have an assembly question or need a replacement part? Just call
1-800-950-4782, we are here to help.

Scan QR Code to Watch Video on:

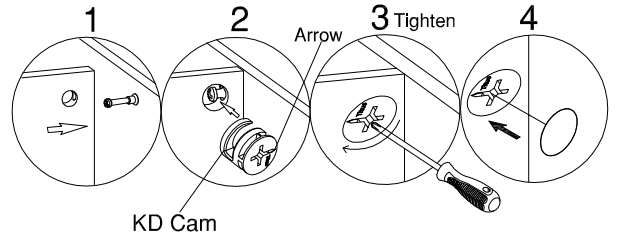


How to Tighten KD Cams



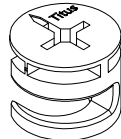
[13]

Cover Cap



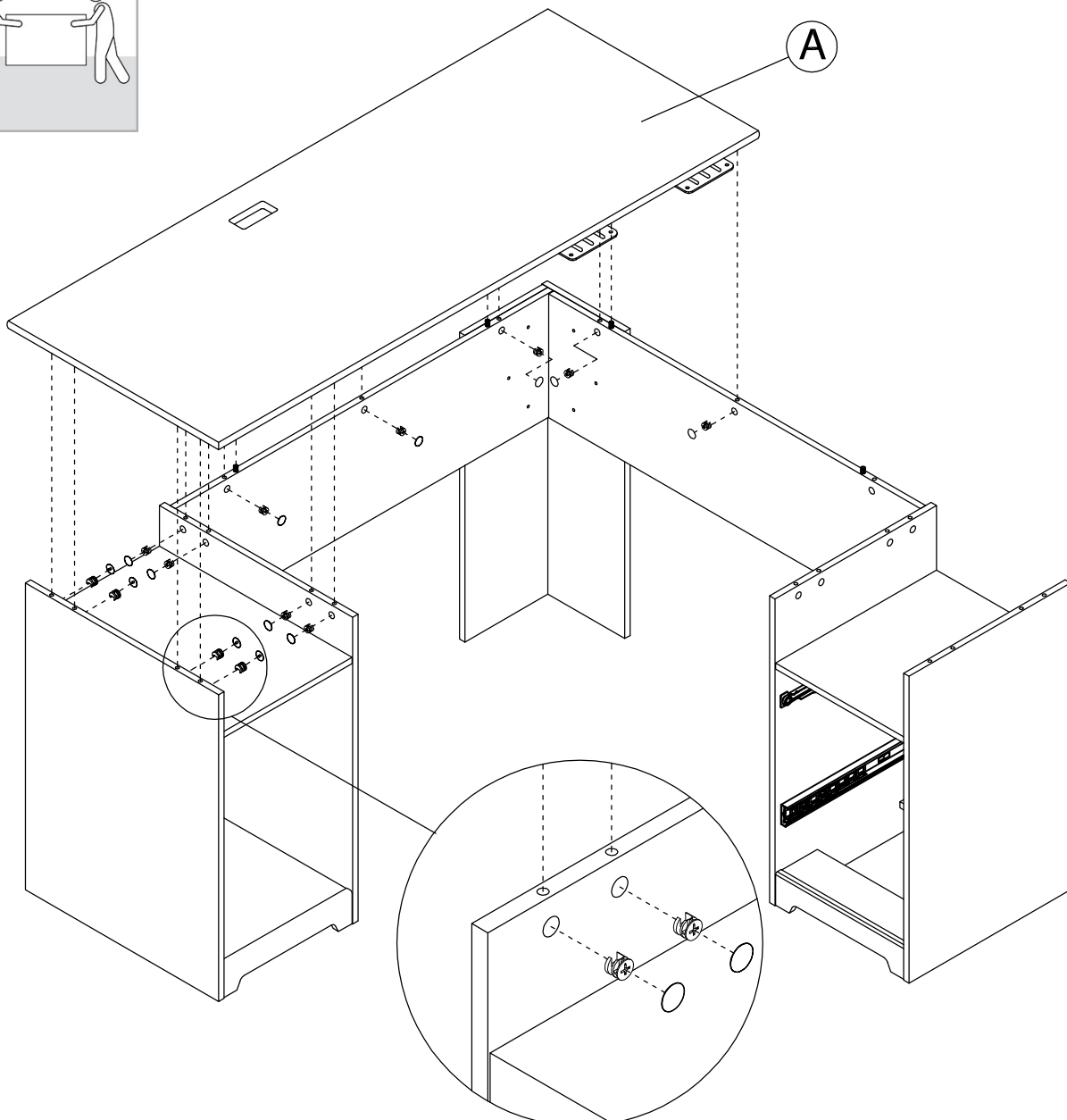
KD Cam

H181468



[13]

KD Cam



Have an assembly question or need a replacement part? Just call **1-800-950-4782**, we are here to help.

STEP 27

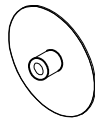
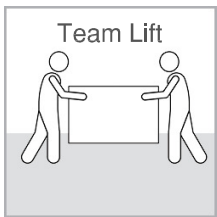
Assemble Panel

A199247B

Scan QR Code to Watch Video on:

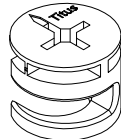


How to Tighten KD Cams



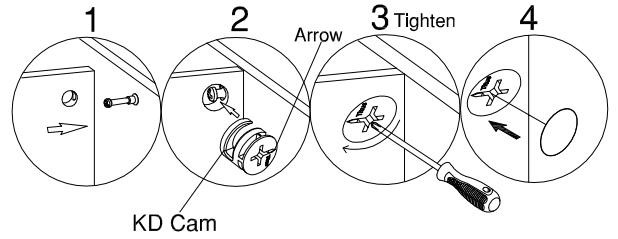
Cover Cap

[9]

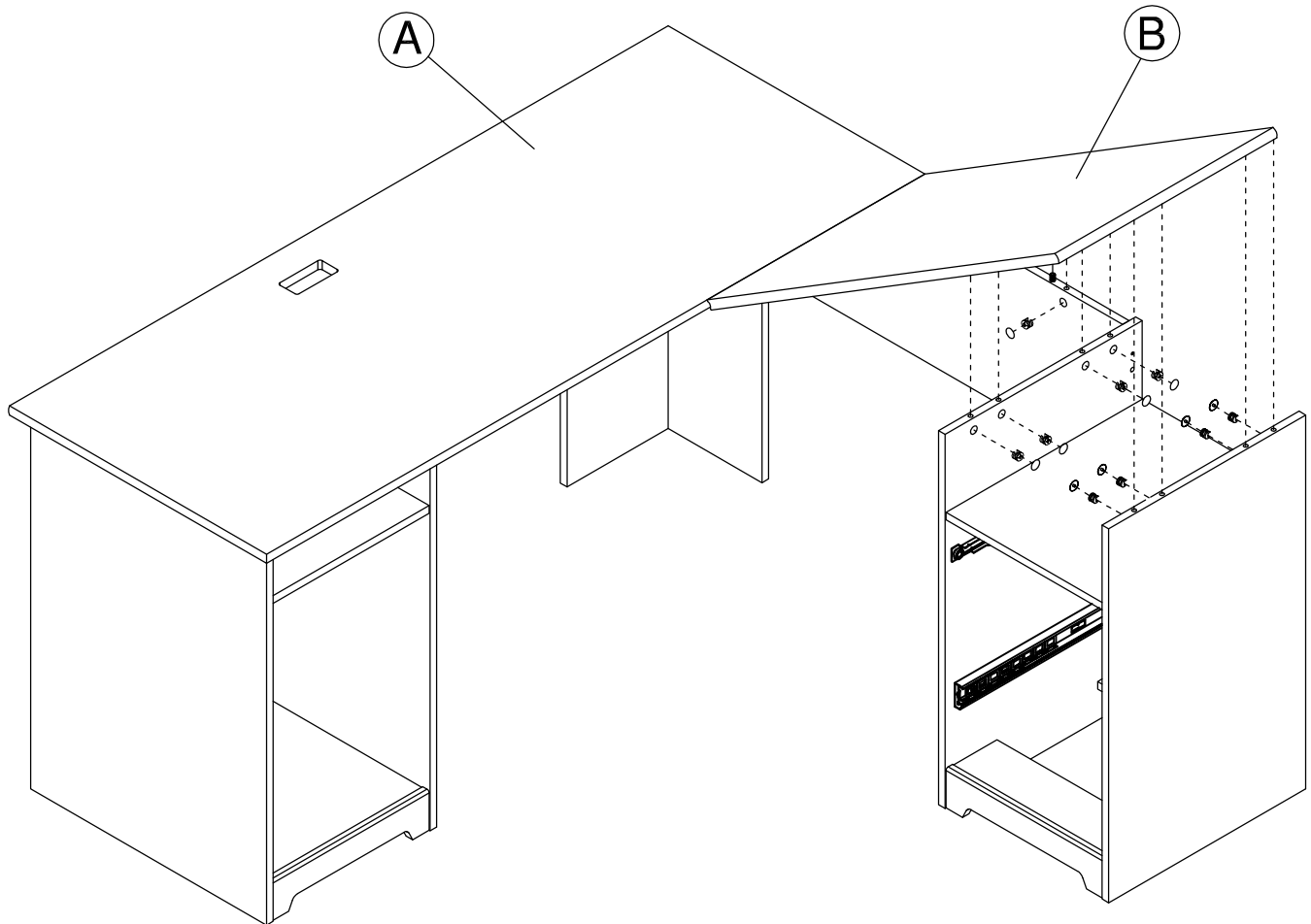


KD Cam

[9]



KD Cam

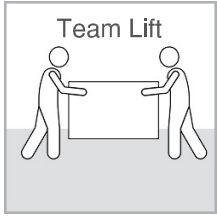


Have an assembly question or need a replacement part? Just call **1-800-950-4782**, we are here to help.

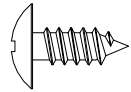
STEP 28

Assemble Panel

A199247B

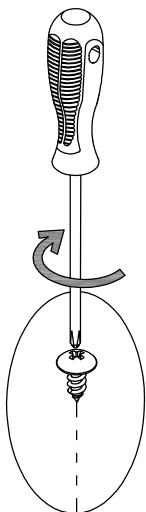
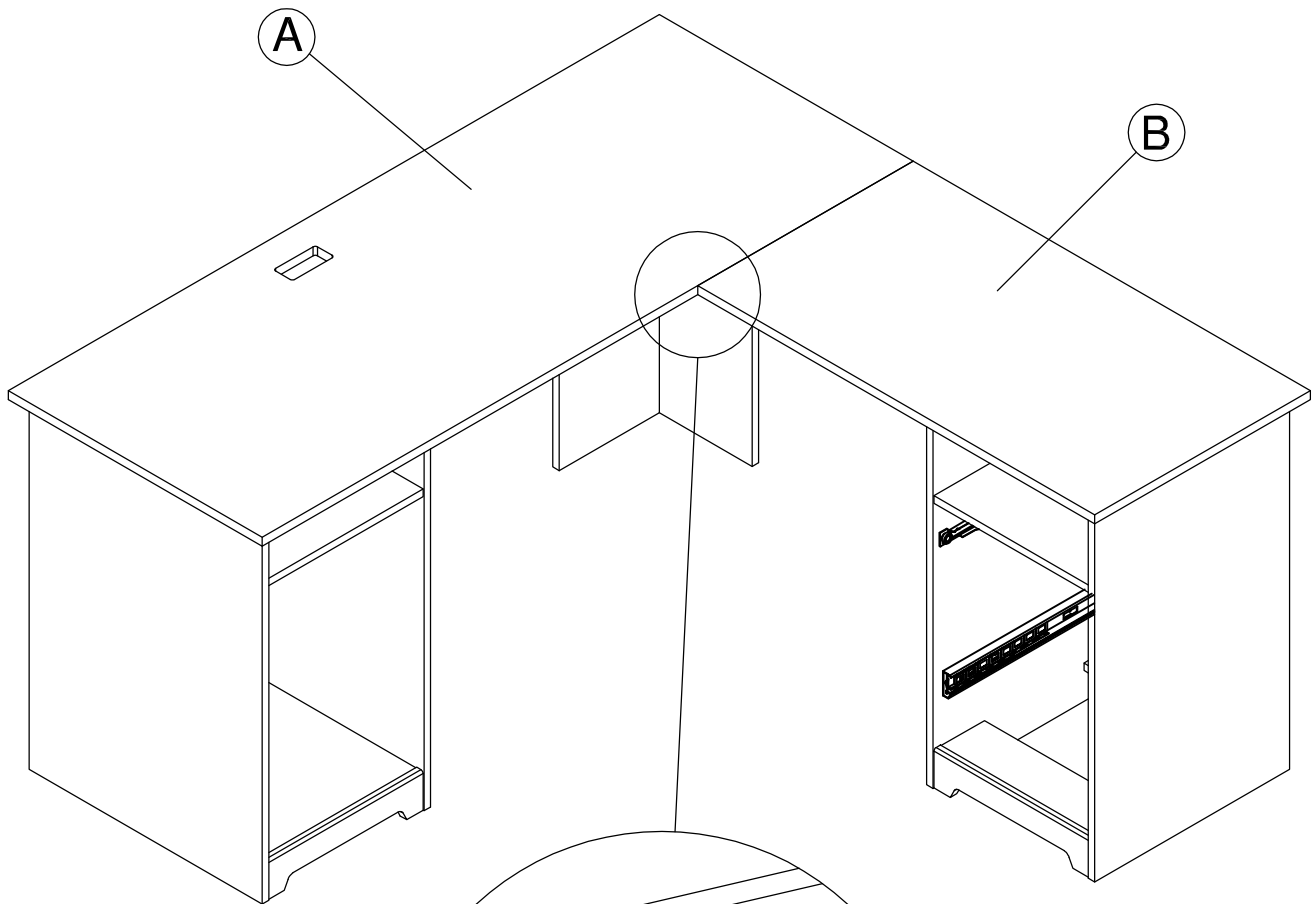


H35251



[4]

#10 x 1/2"

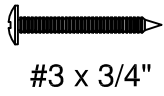
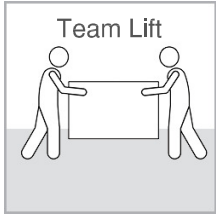


Have an assembly question or need a replacement part? Just call
1-800-950-4782, we are here to help.

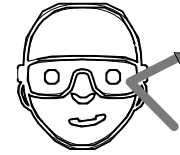
STEP 29

Attach Back Panels

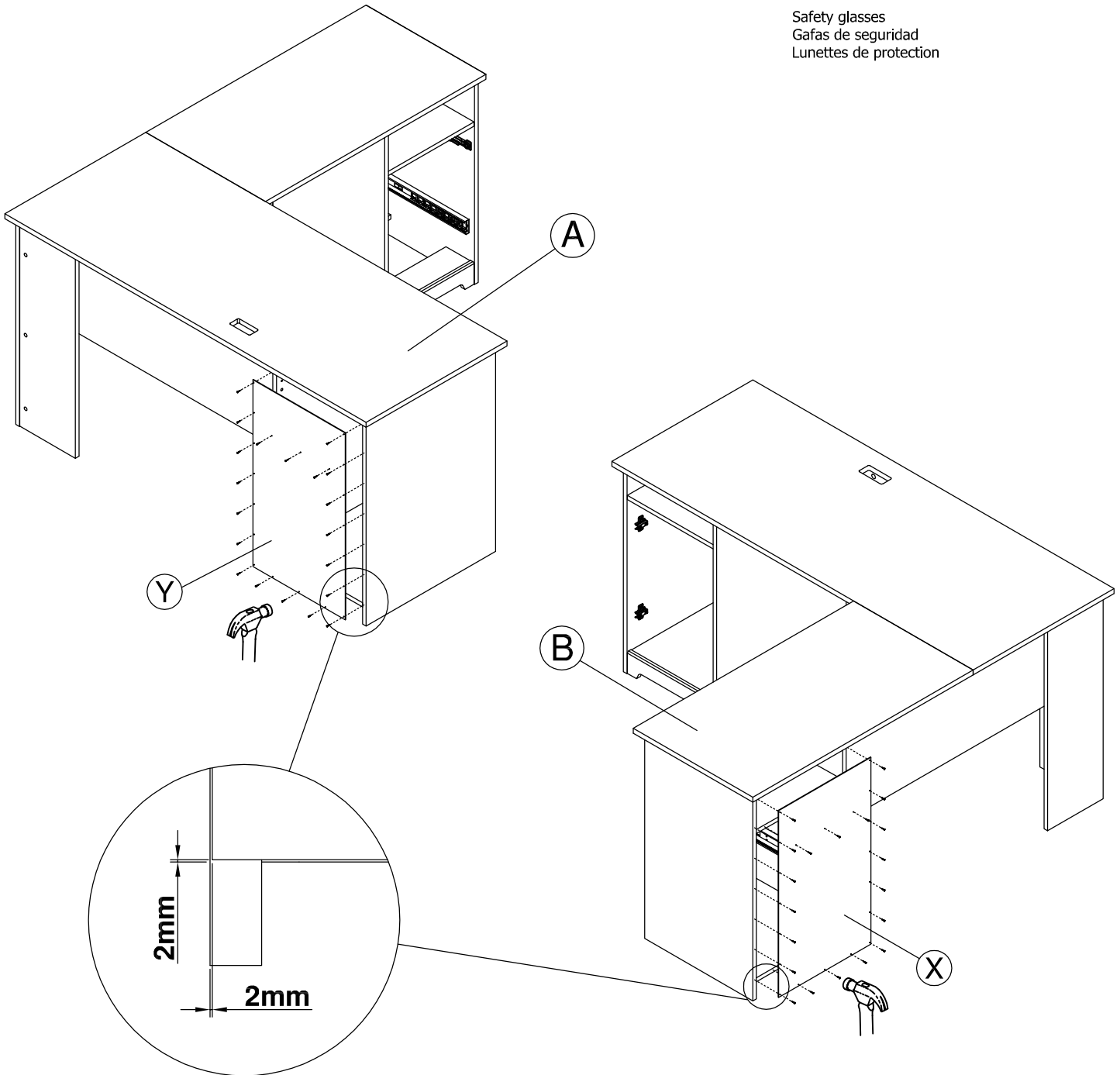
A199247B



[40]



Safety glasses
Gafas de seguridad
Lunettes de protection



Have an assembly question or need a replacement part? Just call
1-800-950-4782, we are here to help.

STEP 30

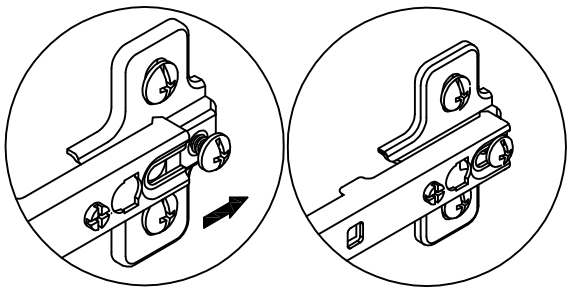
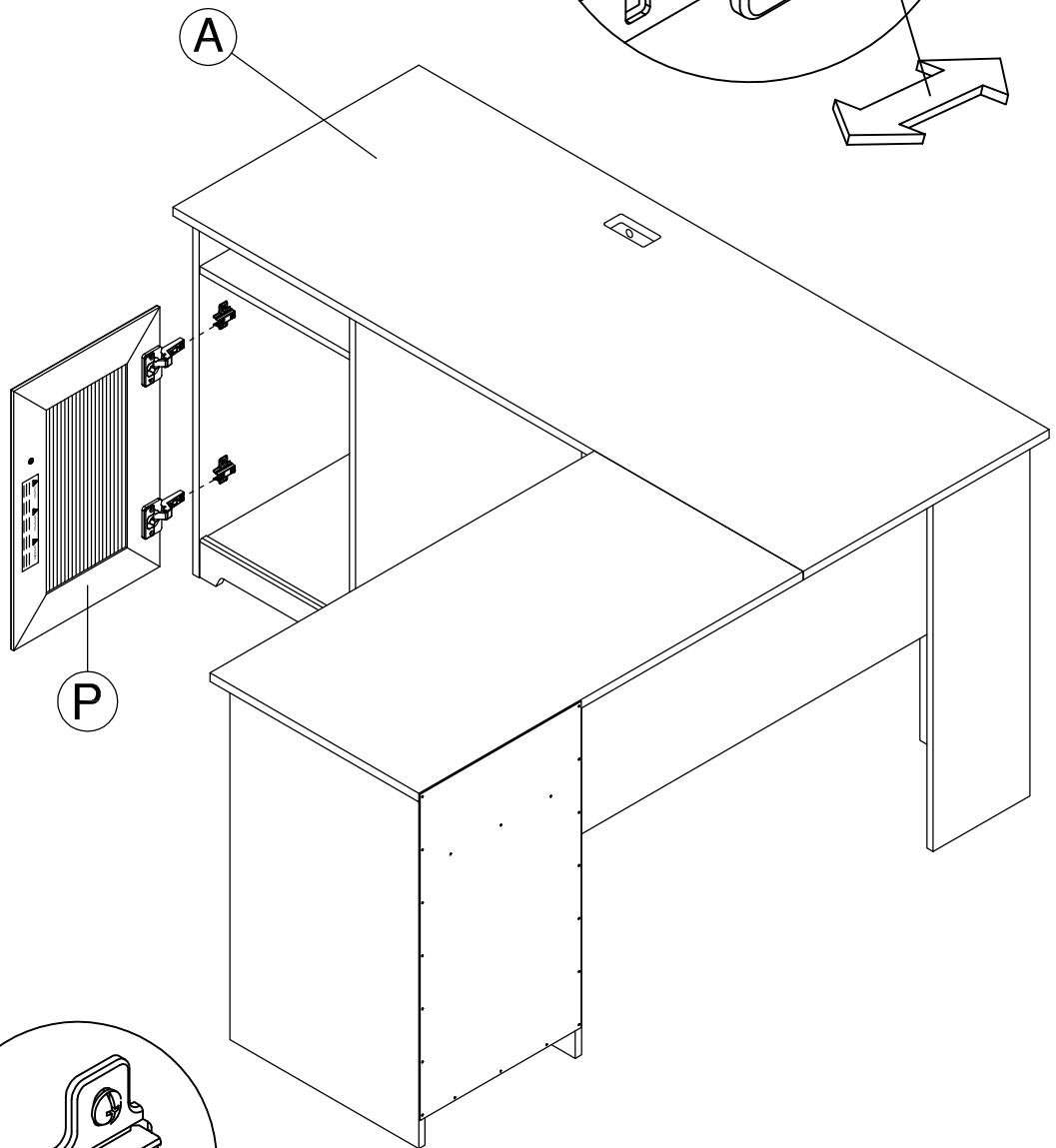
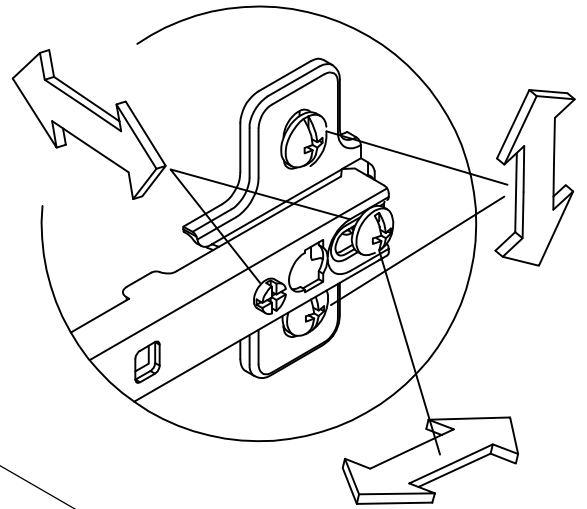
Attach Door

A199247B

Scan QR Code to
Watch Video on:



How to Adjust
Door Hinges



Have an assembly question or need a replacement part? Just call
1-800-950-4782, we are here to help.

STEP 31

Install Drawers

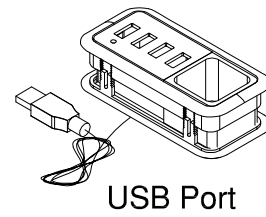
A199247B

Scan QR Code to Watch Video on:

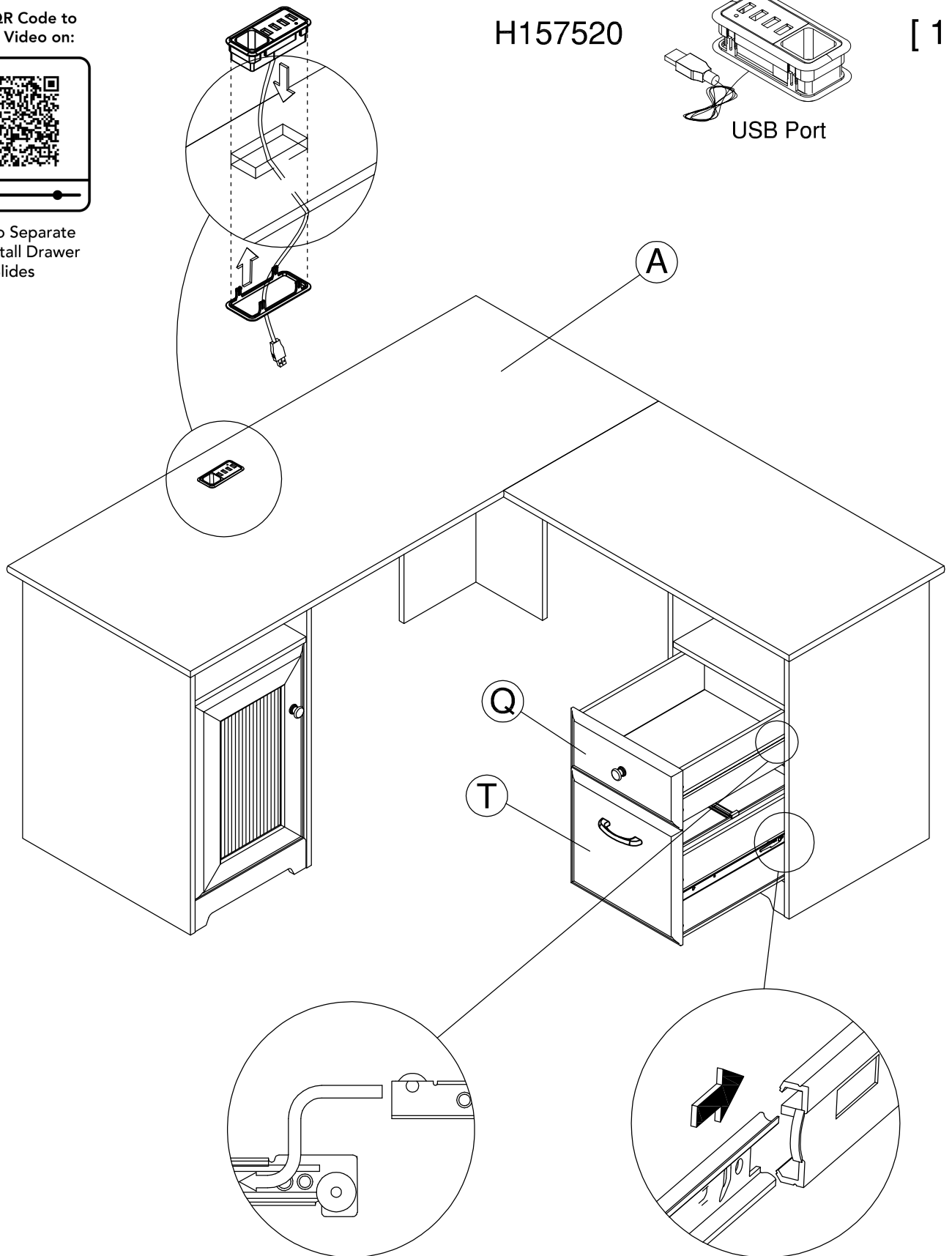


How to Separate and Install Drawer Slides

H157520



[1]



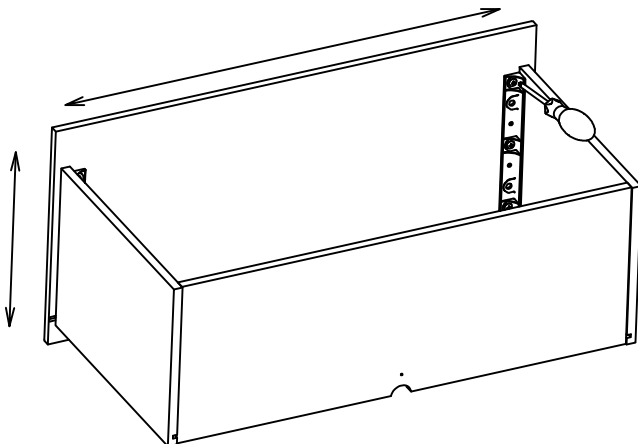
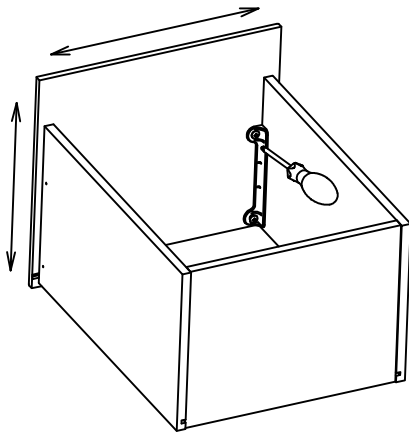
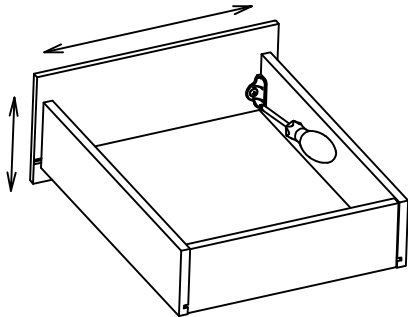
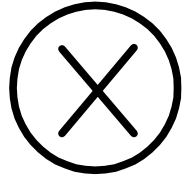
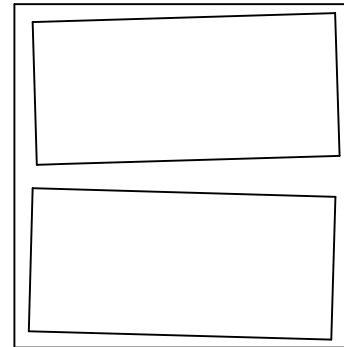
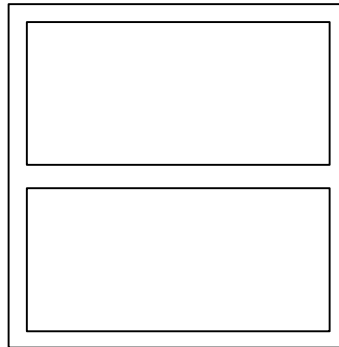
Have an assembly question or need a replacement part? Just call **1-800-950-4782**, we are here to help.

Scan QR Code to Watch Video on:



How to Adjust Drawer Fronts

DRAWER FRONT VIEW



REQUIRED TOOL: PHILLIPS SCREWDRIVER

HERRAMIENTA REQUERIDA: DESTORNILLADOR PHILLIPS
OUTIL REQUIS: TOURNEVIS CRUCIFORME



- 1. LOOSEN SCREWS.
- 2. ADJUST DRAWER FRONTS.
- 3. TIGHTEN SCREWS.

- 1. Afloje los tornillos
- 2. Ajustar frentes de cajón
- 3. Apriete los tornillos

- 1. Desserrer les vis
- 2. Ajuster les façades des tiroirs
- 3. Serrer les vis

Have an assembly question or need a replacement part? Just call **1-800-950-4782**, we are here to help.

Scan QR Code to Watch Video on:

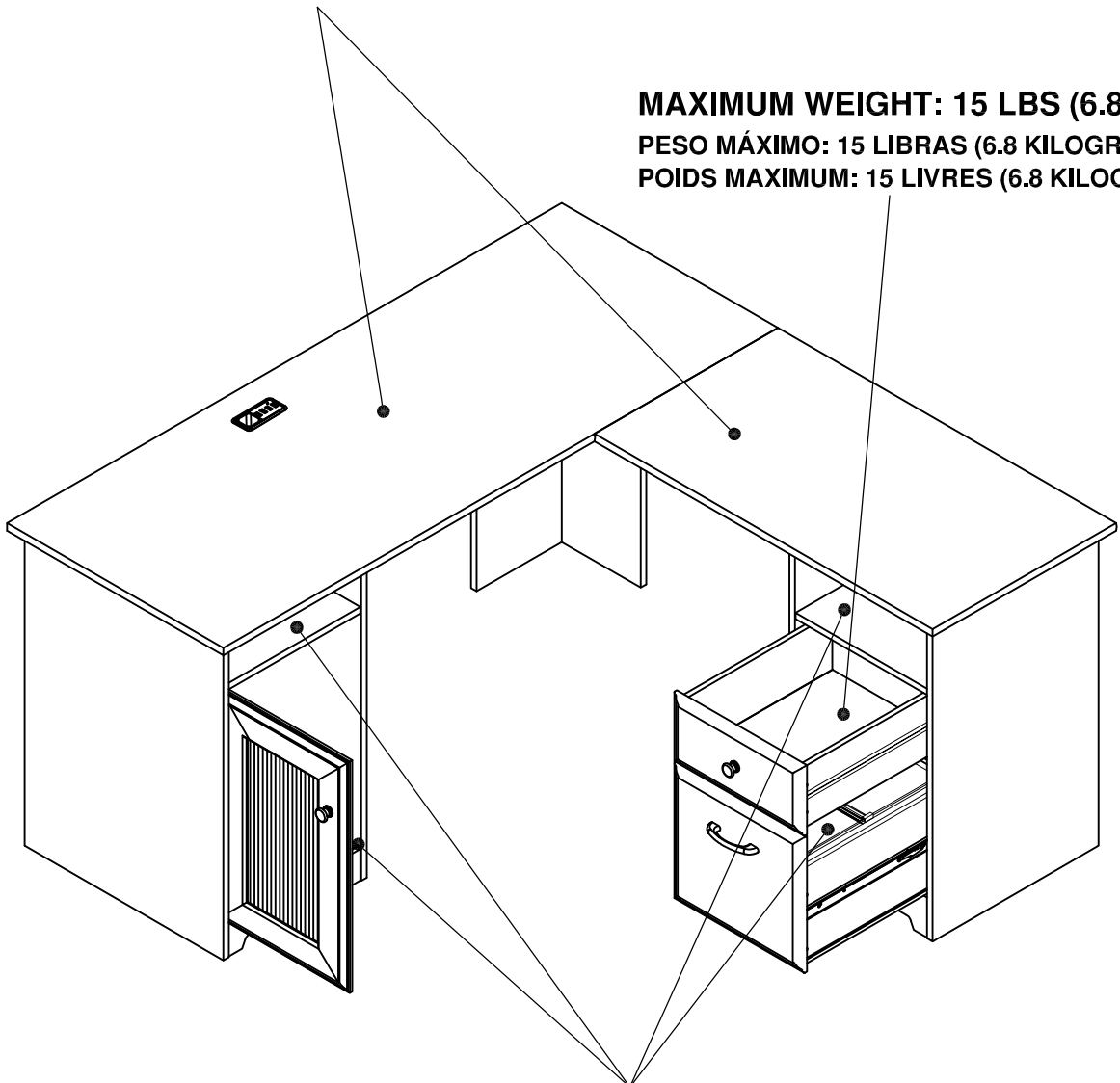


How to Clean the Surface

Gently clean surfaces with a damp sponge eraser.

MAXIMUM WEIGHT: 200 LBS (90.72 KG)
PESO MÁXIMO: 200 LIBRAS (90.72 KILOGRAMO)
POIDS MAXIMUM: 200 LIVRES (90.72 KILOGRAMME)

MAXIMUM WEIGHT: 15 LBS (6.8 KG)
PESO MÁXIMO: 15 LIBRAS (6.8 KILOGRAMO)
POIDS MAXIMUM: 15 LIVRES (6.8 KILOGRAMME)



MAXIMUM WEIGHT: 30 LBS (13.6 KG)
PESO MÁXIMO: 30 LIBRAS (13.6 KILOGRAMO)
POIDS MAXIMUM: 30 LIVRES (13.6 KILOGRAMME)

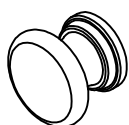
Congratulations! You are all done. If you have any questions or concerns, please call.

Have an assembly question or need a replacement part? Just call **1-800-950-4782**, we are here to help.

WC31030

A	[1]	W199131	N	[2]	W199144
B	[1]	W199132	O	[1]	W199145
C	[1]	W199133	P	[1]	S199146
D	[1]	W199134	Q	[1]	W199147
E	[1]	W199135	R	[2]	W199148
F	[1]	W199136	S	[1]	W199149
G	[1]	W199137	T	[1]	W199150
H	[1]	W199138	U	[2]	W199151
I	[1]	W199139	V	[1]	W199152
J	[1]	W199140	W	[2]	W199153
K	[1]	W199141	X	[1]	W199154
L	[1]	W199142	Y	[1]	W199155
M	[1]	W199143	Z	[1]	W199156

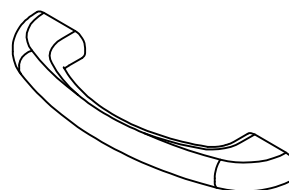
H200220



Knob

[2]

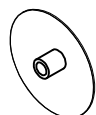
H200221



Handle

[1]

H193336



Cover Cap

[29]

H34174



#3 x 3/4"

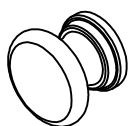
[40]

Have an assembly question or need a replacement part? Just call
1-800-950-4782, we are here to help.

WC31130

A	[1]	W199157	N	[2]	W199170
B	[1]	W199158	O	[1]	W199171
C	[1]	W199159	P	[1]	S199172
D	[1]	W199160	Q	[1]	W199173
E	[1]	W199161	R	[2]	W199174
F	[1]	W199162	S	[1]	W199175
G	[1]	W199163	T	[1]	W199176
H	[1]	W199164	U	[2]	W199177
I	[1]	W199165	V	[1]	W199178
J	[1]	W199166	W	[2]	W199179
K	[1]	W199167	X	[1]	W199180
L	[1]	W199168	Y	[1]	W199181
M	[1]	W199169	Z	[1]	W199182

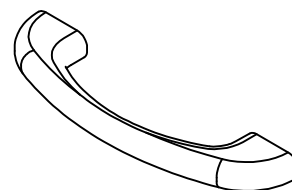
H188981



Knob

[2]

H192372



Handle

[1]

H200203



Cover Cap

[29]

H186726



#3 x 3/4" (Zinc)

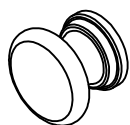
[40]

Have an assembly question or need a replacement part? Just call
1-800-950-4782, we are here to help.

WC31330

A	[1]	W199183	N	[2]	W199196
B	[1]	W199184	O	[1]	W199197
C	[1]	W199185	P	[1]	S199198
D	[1]	W199186	Q	[1]	W199199
E	[1]	W199187	R	[2]	W199200
F	[1]	W199188	S	[1]	W199201
G	[1]	W199189	T	[1]	W199202
H	[1]	W199190	U	[2]	W199203
I	[1]	W199191	V	[1]	W199204
J	[1]	W199192	W	[2]	W199205
K	[1]	W199193	X	[1]	W199206
L	[1]	W199194	Y	[1]	W199207
M	[1]	W199195	Z	[1]	W199208

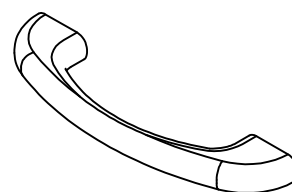
H160869



Knob

[2]

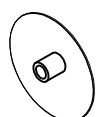
H160870



Handle

[1]

H194048



Cover Cap

[29]

H34174



#3 x 3/4"

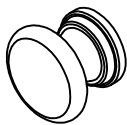
[40]

Have an assembly question or need a replacement part? Just call
1-800-950-4782, we are here to help.

WC31530

A	[1]	W199209	N	[2]	W199222
B	[1]	W199210	O	[1]	W199223
C	[1]	W199211	P	[1]	S199224
D	[1]	W199212	Q	[1]	W199225
E	[1]	W199213	R	[2]	W199226
F	[1]	W199214	S	[1]	W199227
G	[1]	W199215	T	[1]	W199228
H	[1]	W199216	U	[2]	W199229
I	[1]	W199217	V	[1]	W199230
J	[1]	W199218	W	[2]	W199231
K	[1]	W199219	X	[1]	W199232
L	[1]	W199220	Y	[1]	W199233
M	[1]	W199221	Z	[1]	W199234

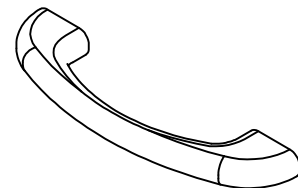
H200220



Knob

[2]

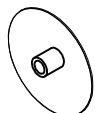
H200221



Handle

[1]

H200199



Cover Cap

[29]

H34174



#3 x 3/4"

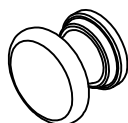
[40]

Have an assembly question or need a replacement part? Just call
1-800-950-4782, we are here to help.

WC31430

A	[1]	W200104	N	[2]	W170345
B	[1]	W175317	O	[1]	W170346
C	[1]	W200105	P	[1]	S170347
D	[1]	W200106	Q	[1]	W170348
E	[1]	W175320	R	[2]	W170349
F	[1]	W175321	S	[1]	W170350
G	[1]	W170338	T	[1]	W170351
H	[1]	W170339	U	[2]	W170352
I	[1]	W175322	V	[1]	W170353
J	[1]	W175323	W	[2]	W170354
K	[1]	W170342	X	[1]	W200108
L	[1]	W200107	Y	[1]	W200109
M	[1]	W170344	Z	[1]	W170357

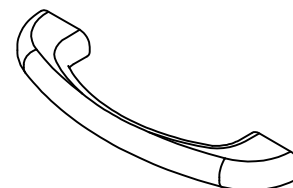
H160869



Knob

[2]

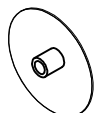
H160870



Handle

[1]

H158961



Cover Cap

[29]

H34174



#3 x 3/4"

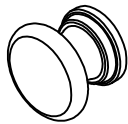
[40]

Have an assembly question or need a replacement part? Just call
1-800-950-4782, we are here to help.

WC31830

A	[1]	W200098	N	[2]	W166246
B	[1]	W175308	O	[1]	W166242
C	[1]	W200099	P	[1]	S166248
D	[1]	W200100	Q	[1]	W166260
E	[1]	W175311	R	[2]	W166261
F	[1]	W175312	S	[1]	W166264
G	[1]	W166252	T	[1]	W166255
H	[1]	W166251	U	[2]	W166256
I	[1]	W175313	V	[1]	W166259
J	[1]	W175314	W	[2]	W166258
K	[1]	W166239	X	[1]	W200102
L	[1]	W200101	Y	[1]	W200103
M	[1]	W166250	Z	[1]	W166257

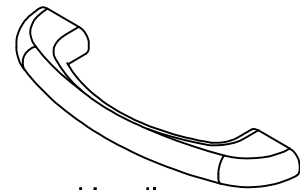
H160869



Knob

[2]

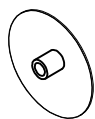
H160870



Handle

[1]

H166305



Cover Cap

[29]

H34174



#3 x 3/4"

[40]

Have an assembly question or need a replacement part? Just call
1-800-950-4782, we are here to help.

THIS PAGE INTENTIONALLY LEFT BLANK

THIS PAGE INTENTIONALLY LEFT BLANK

THIS PAGE INTENTIONALLY LEFT BLANK

WARRANTY INFORMATION/INFORMATIONS POUR LA GARANTIE/INFORMACIÓN DE GARANTÍA

BUSH FURNITURE'S WRITTEN WARRANTY TO YOU

In order to provide you with timely assistance, please thoroughly inspect your furniture for missing or defective parts immediately after opening the carton. To receive replacement or missing parts under this warranty, call our Consumer Service Department TOLL-FREE at 1-800-950-4782. Please have the Model, Part, and Lot Numbers found in the instruction manual available for your reference. You will also need your sales receipt or other proof of purchase. Replacement part(s) will be shipped to you at no charge with Bush Industries assuming all shipping and handling charges.

This Bush Furniture product is warranted to the original purchaser at the time of purchase and for a period of one year thereafter.

We warrant to you, the original purchaser, that our furniture and all its parts and components are free of defects in material or workmanship. "Defects," as used in this warranty, is defined as any imperfection which impairs the use of the furniture product.

Our warranty is expressly limited to the replacement of furniture parts and components. For one year after the date of purchase, Bush will replace any parts that are defective in material or workmanship.

This warranty applies under conditions of normal use. Our Bush Furniture products are not intended for outdoor use. This warranty does not cover: 1) defects caused by improper assembly or disassembly; 2) defects occurring after purchase due to product modification, intentional damage, accident, misuse, abuse, negligence or exposure to the elements; and 3) labor or assembly costs. Batteries not included in warranty

IMPLIED WARRANTIES, INCLUDING THE WARRANTY OF MERCHANTABILITY, SHALL NOT EXTEND BEYOND THE DURATION OF THE WRITTEN WARRANTY STATED ABOVE, AND IN NO EVENT SHALL BUSH BE LIABLE FOR INCIDENTAL OR CONSEQUENTIAL DAMAGES RESULTING FROM USE OF THE PRODUCT. Some states do not allow a limitation on how long an implied warranty lasts or the exclusion or limitation of incidental or consequential damages, so the above limitation and exclusion may not apply to you.

This warranty gives you specific legal rights. You may also have other rights that may vary from state to state.

VOTRE GARANTIE BUSH FURNITURE

Afin de vous assister rapidement, veuillez inspecter votre mobilier en détail immédiatement après l'ouverture du carton en cas de pièces manquantes ou défectueuses. Pour recevoir une pièce de rechange ou manquante couverte par cette garantie, appelez notre département de service clientèle GRATUITEMENT au 1-800-950-4782. Veuillez tenir à disposition les numéros de modèle, de pièce et de lot qui se trouvent dans le manuel d'instruction pour votre référence. Vous aurez également besoin de votre reçu ou d'une autre preuve d'achat. La (les) pièce(s) de rechange vous sera (seront) envoyée(s) sans frais, Bush Industries se chargeant de tous les frais d'expédition.

Tout le produit Bush Furniture est garanti à l'acheteur original à partir de la date d'achat pour une période d'un an.

Nous vous garantissons, à vous l'acheteur original, que notre mobilier et toutes ses pièces et composants sont sans défaut de matériau ou de fabrication. Le terme "défauts" utilisé dans cette garantie, est défini comme étant toutes les imperfections qui compromettent l'utilisation du meuble.

Notre garantie est expressément limitée au remplacement des pièces et des composants du mobilier. Pendant un an après la date d'achat, Bush remplacera toute pièce défectueuse dans le matériau ou sa fabrication.

Cette garantie d'applique sous des conditions d'utilisation normale. Nos produits ne sont pas destinés à être utilisés en plein air. Cette garantie ne couvre pas: 1) les défauts causés par un mauvais assemblage ou démontage, 2) les défauts ayant lieu après l'achat et dus à la modification du produit, des dommages intentionnels, des accidents, une mauvaise utilisation, un mauvais traitement, la négligence ou l'exposition aux éléments, et 3) les frais de main d'œuvre ou d'assemblage. Piles non incluses dans la garantie.

LES GARANTIES TACITES, Y COMPRIS LA GARANTIE DE QUALITE MARCHANDE, NE S'ETENDRONT PAS AU-DELA DE LA DUREE ECRITE CITEE CI-DESSUS, ET BUSH NE SERA EN AUCUN CAS RESPONSABLE DES DOMMAGES ACCESSOIRES OU INDIRECTS RESULTANT DE L'UTILISATION DU PRODUIT. Certains états ne permettent pas d'appliquer une limite à la durée de la garantie tacite, ni une exclusion ou limitation des dommages accessoires ou indirects; dans ce cas les limitations ou exclusion ci-dessus peuvent ne pas s'appliquer à vous.

Cette garantie vous donne des droits légaux spécifiques. Il se peut que vous ayez également d'autres droits qui peuvent varier d'un état à l'autre.

GARANTIA ESCRITA DE BUSH FURNITURE PARA USTED

Para brindarle asistencia oportuna, por favor, verifique detalladamente que a su mueble no le falte o tenga piezas defectuosas inmediatamente después de abrir la caja. Para recibir un reemplazo o la parte faltante bajo esta garantía, llame a nuestro Departamento de Servicio al Consumidor GRATIS al 1-800-950-4782. Sírvase traer los números de modelo, parte y lote que se encuentran en el manual de instrucciones disponible para su referencia. Además, necesitará el recibo de su compra u otra prueba de compra. La(s) pieza(s) de reemplazo le será(n) enviada(s) sin recargo por Bush Industries asumiendo los gastos de envío y manipuleo.

Todo mueble de Bush Furniture es garantizado al comprador original al momento de la compra y por un periodo de uno año en adelante.

Le garantizamos a usted, el comprador original, que nuestros muebles sus partes y componentes están libres de defectos en materiales o trabajo. "Defectos", según se usa en esta garantía, se define como una imperfección que perjudica el uso del producto mobiliario.

Nuestra garantía se limita expresamente al reemplazo de partes y componentes mobiliarios. Durante uno año después de la fecha de compra, Bush reemplazará cualquier parte defectuosa en material o trabajo.

Esta garantía se aplica bajo condiciones de uso normal. Nuestros productos de Bush Furniture no son para uso en exteriores. Esta garantía no cubre: 1) defectos causados por un ensamblaje o desensamblaje inadecuado; 2) defectos que ocurran después de la compra debido a modificación del producto, daño intencional, accidente, mal uso, abuso, negligencia o exposición a los elementos; y 3) costos de trabajo o ensamblaje. Baterías no incluidas en la garantía.

LAS GARANTÍAS IMPLICADAS, INCLUYENDO LA GARANTÍA DE COMERCIABILIDAD, NO SE EXTENDERÁN MÁS ALLÁ DE LA DURACIÓN DE LA GARANTÍA ESCRITA MENCIONADA, Y EN NINGÚN CASO BUSH SERÁ RESPONSABLE POR DAÑOS INCIDENTALES O CONSIGUIENTES COMO RESULTADO DEL USO DEL PRODUCTO. Algunos estados no permiten una limitación sobre el tiempo de duración de la garantía implicada o la exclusión o limitación de daños incidentales o consiguientes, de manera que la limitación y exclusión mencionadas pueden no aplicarse para usted.

Esta garantía le otorga derechos legales específicos. Puede también tener otros derechos que pueden variar según los estados.

1-Year
Manufacturer's
Warranty

Register your product online:

Scan the QR Code or go to
[https://bushfurniture.com/
activate-warranty/](https://bushfurniture.com/activate-warranty/)



Assembly tips & how to videos:

Scan the QR Code to access our video
guides [https://bushfurniture.com/
help-faq/#assembling](https://bushfurniture.com/help-faq/#assembling)

