

Display Instruction:
 Rotate the button to choose the right function and the press the center to confirm

 /DMX address=/Address=XXX
 /Exit/
 DMX /Address/ DMX Address=XXX
 Parameter setting --back
 Control mode --Standard mode
 Model choice --(model serous)

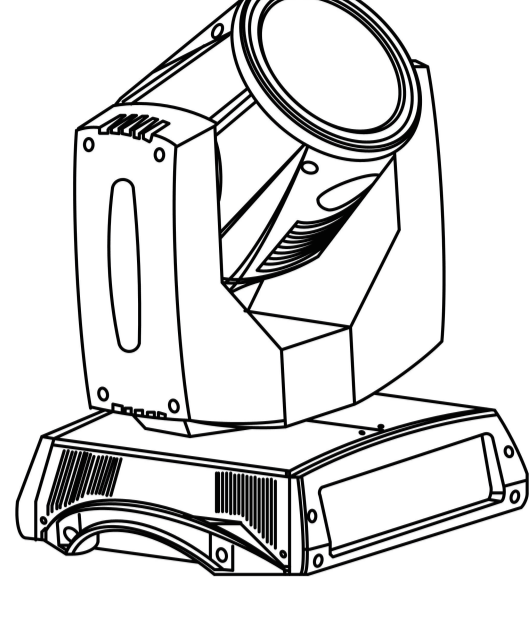
 Option --back
 --/X Reverse --No
 --/Y Reverse --Yes
 --/XY Exchange --No
 --/Dimmer Reverse --No
 --iris Reverse --No
 --turn shortest --No
 --DMX/DMX reset --No
 /Display --/back
 --/Language --Chinese

 Manual Control --/back(some model have this function)
 --ch1 0-255
 --ch2 0-255
 --ch3 0-255
 --ch4 0-255
 --ch5 0-255
 --ch6 0-255
 --ch7 0-255
 --ch8 0-255
 --ch9 0-255
 --ch10 0-255
 --ch11 0-255
 --ch12 0-255
 --ch13 0-255
 --ch14 0-255
 --ch15 0-255
 --ch16 0-255

 /Test operation --/back
 --/Sound --/program run
 --/Auto --/program run
 /Resume default --/back
 --/enter
 /Fixture reset --/back
 --/enter

 Prompt message:
 /Li error
 /system reset

230W BEAM LIGHT USER MANUAL



PLEASE READ THIS CAREFULLY BEFORE USE!

Safety Instructions

Precautions before Operation



Note: Improper operation may be life-threatening! Cause a fire! Cause a short circuit!

Before using this product for the first time, please note the following:

- Please read this User Manual carefully;
- Check every instruction carefully;
- Ensure that the installation, operation, handling, storage and other personnel of this product are qualified;
- Observe whether the product is damaged during transportation. If there are any damage, please contact your supplier immediately and do not use it with electricity.

Use Environment



Note: Improper operation may be life-threatening! Cause a fire! Cause a short circuit!

This product is suitable for AC 110V-AC265V, 50/60Hz power supply environment. Do not use this product during thunder and lightning. The storage and use place of this product must be kept dry, and the relative humidity should not exceed 50% at 45°C. The operating temperature range is: -5°C to 45°C. Pay attention to dust. The distance between this product and the object being projected by the light must be more than 1.5 meters.

! Precautions

- Note/Computer moving head lights are used only by professionals. Non-professionals should not use it without authorization to avoid danger.
- Due to improper use of computer moving head lights, the following undesirable phenomena may occur: The power supply is not well grounded, resulting in leakage of the chassis, ultraviolet radiation from the light source, explosion of the bulb, and the lamp body falling from a height due to a defective lamp holder.
- Before turning on the power or installing the computer moving head light, please read the manual carefully, follow all safety precautions, and follow the manual and all warnings printed on the computer moving head light.
- Protect you and others from electric shocks.
- When replacing the bulb, fuse or any other parts and it is not in use, please disconnect the AC power.
- Always keep the ground wire of the power supply in a good grounding state.
- The power supply used should comply with the power standards required by the instructions and be equipped with overload protection devices and grounding facilities.
- Protect you and others from ultraviolet radiation and bulb explosions.
- Do not operate the computer moving head light that can directly illuminate the strong light of the bulb without being filtered by the optical lens.
- When replacing the bulb, pay attention: the power supply of the lamp body is completely disconnected, and the surface temperature of the lamp body is not significantly higher than the temperature environment. After the bulb is on, do not look directly at the light outlet of the computer light.
- Prevent you and others from being burned or the venue is on fire.

1

- Do not short-circuit the temperature control switch or fuse directly. When replacing a defective temperature control switch or fuse, you must replace it according to the original manufacturer's original model and parameters.
- Keep flammable materials (alcohol, gasoline, paper) at least 1 meter away from the lamp body to prevent the high temperature of the lamp surface from igniting other flammable materials.
- The computer moving head light is not a non-combustible object, so it cannot be close to the fire source within one meter of the surface.
- No filters or other items can be placed on the 3 lenses in the lamp body.
- The outer surface of the computer moving head light becomes very hot when it is used for a long time, so it is necessary to cool to room temperature before replacing the bulb or other accessories.
- Do not use accessories that are not approved by the original manufacturer to repair or install computer moving head lights.
- Do not operate the computer moving head light when the ambient temperature exceeds 104°F
- Prevent you and others from being injured by the computer moving head light.
- Do not lift or lift this moving head light alone.
- Do not use lamp hooks and lamp stands that do not meet the requirements of this manual. Whenever installing or removing the moving head light of the computer, obstacles should be set up around the working area to prevent non-operators from entering.

Safe Operation

If you don't understand the operation method, do not operate it by yourself based on your own judgment. You must read the information carefully or consult a professional to operate it in the correct way.

- Non-professionals should not disassemble or replace the internal parts (mechanical parts and circuit board electronic components) of the computer moving head without authorization. For difficult technical issues and maintenance, please contact your dealer.
- The company is not responsible for any accidents or malfunctions caused by unauthorized operation without following the regulations.

Light bulb

About the light bulb

- The computer moving head light bulb uses Philip MSD Platinum SR bulbs. This high-energy short-arc light source provides a fairly stable 8200K color temperature, with a color reproduction index greater than 90, and the normal service life of imported bulbs can be as high as 750 hours.
- Caution! Any irregular installation of light bulbs may have potential safety hazards or damage the computer moving head light.
- The average life of the bulb is 2000 hours. In order to reduce the risk of damaging the computer lamp by bursting the bulb, the bulb must be replaced before the average life of the bulb exceeds 125% (that is, more than 2500 hours). In order to achieve the best operating results, do not remove the bulb before it has completely cooled down.

Bulb Replacement

Note: Do not touch the quartz glass body of the bulb directly with your hands. The correct method of installing the bulb can be obtained from the dealer. When cleaning the bulb, your fingers must be clean and oil-free. After wiping the bulb with alcohol, polish it with a clean cloth. Be careful not to accidentally touch the bulb. Wait until the alcohol is completely volatilized before installing the bulb. You can learn the correct way to install the bulb from the dealer.

How to Replace the Bulb



Note: Improper operation may be life-threatening! Cause a fire! Cause a short circuit!

2

- During operation, the light bulb emits high temperature. Do not allow any objects to come into contact with high-temperature bulbs. After turning off the operation, please let the lamp body cool down for at least 15 minutes before proceeding to the next step.
- Before installing or replacing the bulb, be sure to cut the power first. Do not touch the bulb directly with your hands at any time, please wear gloves when installing or replacing it. This product uses Philip MSD Platinum SR bulbs, please use the same model when replacing.
- Loosen the fixing screw marked A on the rear panel of the bulb, and then the rear panel of the bulb can be removed for replacement. The three screws marked X, Y and Z on the rear panel of the bulb are used to adjust the position of the bulb. Precise adjustment of the bulb position can achieve a more ideal light effect

Link

- Attention!**
- Use one data input line and one data output line when connecting.
- The computer moving head light has DMX output and connecting sockets. In all output sockets, pin 1 is grounded, pin 2 is connected to the negative pole, and pin 3 is connected to the positive pole.
- The signal line socket is connected in parallel: One input and one output.

● Link

- DMX512 signal transmission uses shielded twisted pair cables. For standard cables, it is recommended to use large cables or strengthen signal amplifiers during long-term operation.
- Do not split the output signal line into two signal lines for output.
- Don't overload the link. A signal line can only link up to 32 computer moving head lights.
- It is better to plug a signal terminator into the output socket of the moving head light of the last computer connected with the signal line. The signal terminator is a male signal line card, and a 1/4W 120 ohm resistor is welded to the 2 and 3 pins to absorb the control signal so that it will not reflect and cause interference.

● Link data transmission line

- Insert the DMX data input line from the 3-pin input socket of the computer moving head light shape.
- Use the data synchronization transmission cable that matches the socket to link the output end of the computer moving head light, and link the input end of the next computer moving head light to the similar socket.
- Connect a signal terminator to the signal output end of the moving head light of the last computer connected. In order to prevent the reflection and interference of the signal, a 120 ohm resistor is connected between the XLR of the last device and the Singal- and Singal+ of the output port.

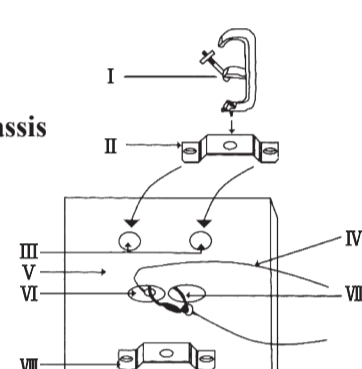
3



Note: Improper operation may cause danger!

Installation at the bottom of the chassis

- Hook (optional accessory)
- Hanger
- Hanging screw hole
- Safety rope (optional accessory)
- Chassis
- Safety rope hole
- Safety rope buckle (optional accessory)



Note: The safety rope must be able to withstand 12 times the weight of the lamp, and the extension cannot exceed 20cm.

Maintenance

Note

- Regularly carry out the three-level maintenance of the computer moving head light
- Check the tightness of the fastening screws of the moving parts in the computer moving head light (the fixing screws of the color wheel)
- Clean up the dust and debris in the lamp, keep the computer moving head clean and clean
- Cleaning of the glass in the computer moving head lamp (reflector, color film, corrugated mirror, etc.)
- Excessive dust, smoke and particles can corrode the appearance of the computer moving head light, and even cause overheating and damage the device
- Be sure to disconnect the power before disassembling the computer moving head light shell

Danger

Please disconnect the lamp power before maintenance

4

The PCB board needs to be cleaned once every three months (excessive dust and dirt will cause the PCB board to work abnormally)

When cleaning, please use a soft brush or air compressor to remove dust (the air pressure should not be too high).

The lamp has nothing useful except for the bulb and the fuse.

Please install and replace the bulb according to the method described in the instruction manual.

● Replace the fuse

- If you want to replace the fuse, please replace the same fuse as the original machine (including current and voltage, etc.) Before replacing the fuse, please pull out the power plug to avoid danger!!!

● Cleaning

Disconnect the power supply, allow the lamp to cool down completely, and remove the lamp cover. Use a vacuum cleaner or air compressor to remove dust particles on the surface of the lamp.

The front optics needs to be cleaned once a week, otherwise it will reduce the brightness.

The cooling fan needs to be cleaned once a month. Ensure that the fan's vent is smooth to ensure the cooling effect of the bulb. Check the air filter regularly, clean up if it is blocked, and replace the air filter when it needs to be replaced.

The pattern must be cleaned with a soft brush, and the inside of the lamp body must be cleaned at least once every six months. When cleaning, you can use a vacuum cleaner or use the gas generated by an air compressor to remove dust.

The color sheet/pattern of the pattern disc and the optical lens inside the lamp body need to be cleaned once a month.

Clean the optical components carefully. The surface of the optical components is easy to be scratched and damaged. Do not wipe with solution, it may damage the coating layer of the optical lens.

In order to ensure the normal function of the pattern plate and focusing, we recommend adding proper lubricating oil to the bearings at intervals of six months.

Remember: Not too much lubricant, especially the pattern plate, otherwise the lubricant will flow when the pattern plate or pattern rotates, causing other problems

5

WARNINGS: please read these instructions carefully before installation

- Inspect the device carefully before installation in case of loose during transportation.
- Don't put the product on the shakable or moist place.
- Please keep the voltage stable, otherwise it will destroy the parts easily.
- Check the voltage before turning on lamp. While power off, it needs 15minutes to cool before reconnecting the power.
- Please keep the lamp dry and cool, avoid working at 40°C or above to guarantee its lifespan.
- Disconnect the power before installation or removing and ask professional technician to repair in case of malfunction.

Skill parameters

- Voltage: 110V-245V 50/60Hz 350W/400W
- Light source: Philips MSD 200W/230W
- Power consumption: 350W/400W
- Channel: 16CHs
- Color: 14 colors & white
- Gobo: 17 gobos & white
- Strobe: 0-10 times/second
- X axis: 540 degrees
- Y axis: 270 degrees
- LCD display: ON/OFF
- Protection: IP20 over heat protection
- Prism: 8-facet prism
- Ballast: electronic ballast

6

16CH Channels Control Illustration

Item	Channels	DMX Address	Content
1	Pan	0-255	0-540 degree
		0-255	0-270 degree
2	Tilt	0-255	0-2.1°
		0-255	0-1.0°
3	Pan fine	0-255	Fast-slow
		0-255	Fast-slow
4	Tilt fine	0-255	Fast-slow
		0-255	Fast-slow
5	Speed of pan/tilt	0-255	Fast-slow
		0-255	Fast-slow
6	Foggy lens	0-255	No function to foggy effect
		0	off
7	Strobe	1-50	on
		51-240	Strobe from slow to fast
8	Dimmer	241-255	on
		0-255	Off light
9	Color	0-8	White light
		8-15	Color 1
		16-23	Color 2
		24-31	Color 3
		32-39	Color 4
		40-47	Color 5
		48-55	Color 6
		56-63	Color 7
		64-71	Color 8
		72-79	Color 9
		80-87	Color 10
		88-95	Color 11
		96-103	Color 12
		104-111	Color 13
112-127	Color 14		
10	Color adjustment	128-191	Rainbow effect, clockwise from fast to slow
		192-255	Rainbow effect, anticlockwise from slow to fast
11	Gobo	0-6	Color adjustment
		7-13	White light
		14-20	Gobo 1
		21-27	Gobo 2
		28-34	Gobo 3
		35-41	Gobo 4
		42-48	Gobo 5
		49-55	Gobo 6
		56-62	Gobo 7
		63-69	Gobo 8
		70-76	Gobo 9
77-83	Gobo 10		

7

16CH Channels Control Illustration

Item	Channels	DMX Address	Content
11	Gobo	84-90	Gobo 12
		91-97	Gobo 13
		98-104	Gobo 14
		105-111	Gobo 15
		112-118	Gobo 16
12	Gobo shake	119-127	Gobo 17
		128-191	Rainbow effect, clockwise from slow to fast
13	Focus	192-255	Rainbow effect, anti clockwise from slow to fast
		0-255	0-400°
14	Prism	0-191	Near to far
		0-31	No prism
15	Prism rotation	32-255	prism angle
		0-127	angle
16	Reset	128-191	Clockwise from fast to slow
		192-255	Anti clockwise from slow to fast
16	Reset	0-99	No function
		100-105	Off light
		106-199	No function
		200-254	No light
		206-254	On light
16	Reset	255	No function
		255	Reset after 3 to 5 seconds

8

326 说明书

成品尺寸: 142x210 (mm)

材质工艺: 157g双铜纸 装订方式: 骑马钉

版本日期: 2021.7.27 A0

设计师: Seven

备注: 请先打样确认后生产大货。

所有内容, 包括文字、图片, 包装方式, 均为原创。对未经许可擅自使用者, 本公司保留追究其法律责任的权利。

序号	版本	变更标记	变更描述	变更者	审核	日期
1	A1					
2						
3						