

USER MANUAL

36LEDS RGB PAR LIGHTS



Lalice Natz
THE NATURE LIGHT

@2025 LaluceNatz all rights reserved. Information, specifications, diagrams, images, and instructions herein are subject to change without notice. LaluceNatz logo and identifying product names and numbers herein are trademarks of LaluceNatz. Copyright protection claimed includes all forms and matters of copyrightable materials and information now allowed by statutory or judicial law or hereinafter granted. Product names used in this document may be trademarks or registered trademarks of their respective companies and are hereby acknowledged. All non-LaluceNatz brands and product names are trademarks or registered trademarks of their respective companies.

LaluceNatz and all affiliated companies hereby disclaim any and all liabilities for property, equipment, building, and electrical damages, injuries to any persons, and direct or indirect economic loss associated with the use or reliance of any information contained within this document, and/or as a result of the improper, unsafe, insufficient and negligent assembly, installation, rigging, and operation of this product.

Europe Energy Saving Notice

Energy Saving Matters(EuP 2009/125/EC)

Saving electric energy is a key to help protecting the environment. Please turn off all electrical products when they are not in use. To avoid power consumption in idle mode, disconnect all electrical equipment from power when not in use. Thank you!

INTRODUCTION

Unpacking: Thank you for purchasing the 36LEDs par lights by LaluceNatz. Every 36LEDs par lights have been thoroughly tested and has been shipped in perfect operating condition. Carefully check the shipping carton for damage that may have occurred during shipping. If the carton appears to be damaged, carefully inspect your fixture for any damage and be sure all accessories necessary to operate the unit have arrived intact. In the event that damage has been found or parts are missing, please contact our toll free customer support number for further instructions. Do not return this unit to your dealer without first contacting customer support.

Introduction: The 36LEDs par lights are a DMX intelligent, LED par fixture. This fixture can be used in a stand alone mode or connected in a primary/secondary configuration. This par has operating modes as below: Sound Active mode, Program mode, RGB Static Color mode, Strobe Mode and DMX control mode. The 36LEDs par lights have 6 DMX channel mode.

Customer Support: LaluceNatz provides a customer support line to provide set up help and to answer any question that may arise during your set up or initial operation. You may also visit us on the web at www.lalucenatzonline.com for any comments or suggestions. Service Hours are Monday through Saturday 9:00 a.m. to 6:00 p.m. Pacific Standard Time.

Voice: +86-180-9898-6330
E-mail: info@lalucenatzonline.com

Warning! To prevent or reduce the risk of electrical shock or fire, do not expose this unit to rain or moisture.

Caution! There are no user serviceable parts inside this unit. Do not attempt any repairs yourself, as doing so will void your manufacturer's warranty. In the unlikely event that your unit requires service, please contact LaluceNatz.

PLEASE recycle the shipping carton when ever possible.

IFEATURES

- Multi-Colors
- Five Operating Modes
- Built in Microphone
- DMX-512 protocol
- DMX Mode: 6 Channel Mode.
- RF remote control compatible (Included 1pc)

WARRANTY REGISTRATION

The 36LEDs par light carries a 1 year limited warranty. All returned service items, whether under warranty or not. please A brief description of the problem also be written down on a piece of paper by yourself included in the shipping carton. If the unit is under warranty, please provide order ID of purchase. You may contact our customer support team on our customer support number and email.

INSTALLATION

The unit should be mounted using a mounting clamp (not provided), affixing it to the mounting bracket that is provided with the unit. Always ensure that the unit is firmly fixed to avoid vibration and slippage while operating. Always ensure that the structure to which you are attaching the unit is secure. The equipment must be installed by a professional, and it must be installed in a place where it is out of the reach of people's grasp.mail.

SAFETY PRECAUTIONS

- To reduce the risk of electrical shock or fire, do not expose this unit to rain or moisture.
- Do not spill water or other liquids into or on to your unit.
- Do not attempt to operate this unit if the power cord has been frayed or broken.
- Do not attempt to remove or break off the ground prong from the electrical cord. This prong is used to reduce the risk of electrical shock and fire in case of an internal short.
- Disconnect from main power before making any type of connection.

- Do not remove the cover for any reason. There are no user serviceable parts inside.
 - Never operate this unit with the cover removed.
 - Never plug this unit in to a dimmer pack.
 - Always be sure to mount this unit in an area that will allow proper ventilation.
 - Do not attempt to operate this unit if it has been damaged in any way.
 - This unit is intended for indoor use only. Use of this product outdoors voids all warranties.
 - During long periods of non-use, disconnect the unit's main power.
 - Always mount this unit in a safe and stable matter.
 - Power supply cords should be routed so that they are not likely to be walked on or pinched by items placed upon or against them, paying particular attention to the point at which they exit from the unit.
 - Cleaning - The fixture should be cleaned only as recommended by the manufacturer. See the **Cleaning** section of this manual for details.
 - Heat - The appliance should be situated away from heat sources, such as radiators, heat registers, stoves, or other appliances (including amplifiers) that produce heat.
- The fixture should be serviced by qualified service personnel when:
 - A. The power supply cord or the plug has been damaged.
 - B. Objects have fallen onto, or liquid has been spilled into, the appliance.
 - C. The appliance has been exposed to rain or water.
 - D. The appliance does not appear to operate normally or exhibits a marked change in performance.
- If you encounter a product questions, please follow these troubleshooting steps:
 - A. Check the appearance - Ensure all external parts are intact and complete.
 - B. Inspect LEDs & front panel - Make sure all components are securely in place.
 - C. Check the back panel display - Ensure it is functioning properly.
 - D. Examine the power cord - Confirm it is properly connected and in good condition.
 - E. Power test - Plug in the light and check if it powers on correctly. Does the display screen light up normally?
- If have any questions after performing these checks, please contact our support team, we're happy to assist you!

SET UP

Power Supply: The 36LEDs par light supports wide voltage, which voltage range of 100 to 240 VAC, 50/60 Hz, no need to worry about the correct power voltage, and this unit can be plugged in anywhere.

DMX-512: DMX is short for Digital Multiplex. This is a universal protocol used as a form of communication between intelligent fixtures and controllers. A DMX controller sends DMX data instructions from the controller to the fixture. DMX data is sent as serial data that travels from fixture to fixture via the DATA "IN" and DATA "OUT" XLR terminals located on all DMX fixtures.

DMX Linking: DMX is a language allowing all makes and models of different manufacturers to be linked together and operate from a single controller, as long as all fixtures and the controller are DMX compliant. To ensure proper DMX data transmission, try to use the shortest cable path possible when linking several DMX fixtures. The order in which fixtures are connected in a DMX line does not influence the DMX addressing. For example, a fixture assigned a DMX address of 1 may be placed anywhere in a DMX line: at the beginning, at the end, or anywhere in the middle. When a fixture is assigned a DMX address of 1, the DMX controller knows to send DATA assigned to address 1 to that unit, no matter where it is located in the DMX chain.

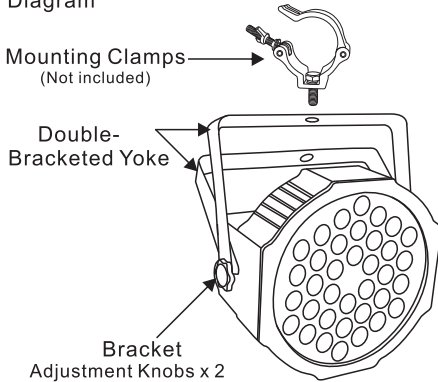
Data Cable (DMX Cable) Requirements (For DMX Operation):

Data Cable (DMX Cable) Requirements (For DMX Operation):
The 36LEDs par light can be controlled via DMX protocol. The 36LEDs par light has 6 DMX channels. Your unit and your DMX controller can accept either a standard 3-pin XLR connector for data input and data output. Be sure to use standard 110-120 Ohm shielded cable (This cable may be purchased at almost all pro lighting stores). Your cables should be made with a male XLR connector at one end of the cable and a female XLR connector at the other.

Orientation:

The 36W LED RGB Par Light can be mounted in any position, however, make sure adequate ventilation is provided around the product.

Mounting Diagram



SET UP

Control Panel Operation

To access the control panel functions, use the four buttons located underneath the display.

Button	Function
<MENU>	Select an operation mode or back out of the current menu option
<UP>	Scroll up the list of option or select a higher value
<DOWN>	Scroll down the list of option or select a lower value
<ENTER>	Activate a menu option or a selected value

Menu Map

Mode	Display	Description
Red light	r 000-255	Red
Green light	g 000-255	Green
Blue light	b 000-255	Blue
Auto Play	Auto	Auto Program
Sound Activated Mode	Sound	Up and Down to select the sensitivity.
Sound Sensitivity	UoL 1-9	Sound Sensitivity Adjustment(weak to strong)
Background Color on	bA on	No light voice control
	bA oF	Automatic color change without
Master/Slave	A001-A512	Do not exceed 64pcs slave units
Static Colors	Au01	Red
	Au02	Green
	Au03	Blue
	Au04	Amber
	Au05	Cyan
	Au06	Rose
	Au07	White

Hopping	FF-01-99	Select auto program speed(slow to fast)
Fade Changing	CC01-99	Select fade speed (slow to fast)
Pulse	EE01-99	Select auto program speed(slow to fast)
Strobe Mode	F000-255	Strobe speed (slow to fast)

OPERATING INSTRUCTIONS

Operating Modes: The 36LEDs par light has five operating modes:

- DMX control mode - This function will allow you to control each individual fixtures traits with a standard DMX 512 controller.
- RGB Mode - Choose one of the 3 colors to remain static or adjust the intensity of each color to create your own custom color.
- Sound Active Mode - The unit will react to sound, chasing through the built in programs. The sound sensitivity is adjustable.
- Program Mode - There are 5 built in programs to choose from. Color change and color fade speeds are adjustable.
- Static Color Mode - There are 7 colors to choose from.

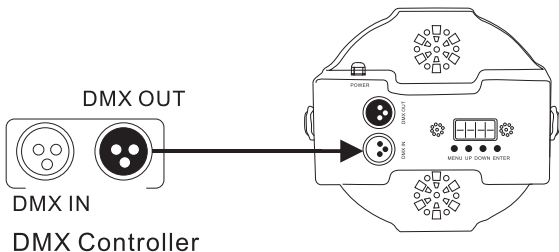
DMX Mode: Operating through a DMX controller gives the user the freedom to create their own programs tailored to their own individual needs. The 36leds par light has 6 DMX Channel mode. See the DMX Traits section of this manual for detailed information.

1. This function will allow you to control each individual fixture's traits with a standard DMX 512 controller.
2. To run your fixture in DMX mode press the MODE button until "Axxx" is displayed. "xxx" represents the currently selected address. Use the UP or DOWN buttons to select your desired DMX address.

DMX Connection:

Set the product in DMX mode/A001 to control with a DMX controller.

- Connect the product to a suitable power outlet
- Connect a DMX cable from the DMX output of the DMX controller to the DMX input socket on the product.



OPERATING INSTRUCTIONS

Static Color Mode:

1. Plug the fixture in and press the MODE button until “Au-xx” is displayed. “xx” is the number of currently selected color.
2. There are 7 colors to choose from. Select your desired color by pressing the UP and DOWN buttons.

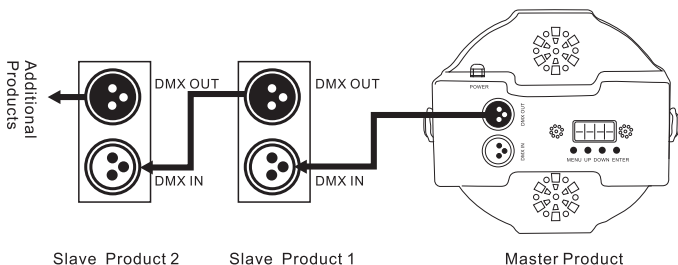
Program Mode: In this mode you can choose Hopping, Fade Changing, Pulse programs to run. The fade speed and program speed are both adjustable.

- 1.Hopping: Plug the fixture in and press the MODE button until “FF-xx” is displayed. “xx” is the currently selected program speed from “01-99”.
- 2.Fade: Plug the fixture in and press the MODE button until “CC-xx” is displayed. “xx” is the currently selected program speed from “01-99”.
- 3.Pulse: Plug the fixture in and press the MODE button until “EE-xx” is displayed. “xx” is the currently selected program speed from “01-99”.

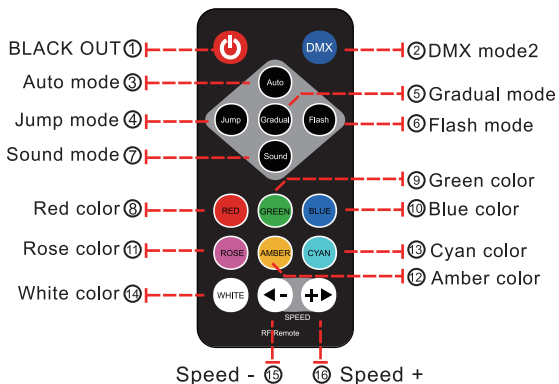
Sound Active Mode: In this mode the 36LEDs par light will react to sound, and chase through the different colors.

1. Plug the fixture in and press the MODE button until “Soud” is displayed. “uol1-9” represents the sound sensitivity level.
2. Use the UP and DOWN buttons to adjust the sensitivity. “01” is the lowest sensitivity, “09” is the highest.

Master-Slave Mode: In this mode the 36LEDs par light allows you to link units together, one unit will act as the controlling unit and the others will react to the controlling unit’s built-in programs. Any unit can act as a Primary or as a Secondary, but only one unit can be programmed to act as the “Master”



RF REMOTE OPERATION



Icon	Button Function	Display on Panel	Function Description
1	ON/OFF		Press this button to turn on or off the light
2	DMX Mode	A001	Press this button to run DMX or Master/Slave
3	Auto Mode	Auto	Press this button to run auto mode
4	Jump Mode	FF01-99	Speed Press +/- to adjust hopping speed
5	Gradual Mode	CC01-99	Speed Press +/- to adjust fade speed
6	Flash Mode	F0-255	Speed Press +/- to adjust strobe rate

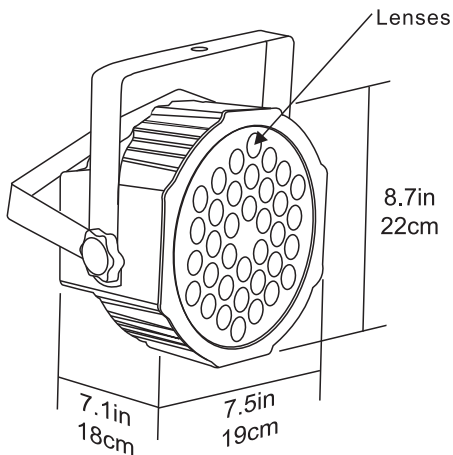
7	Sound-Mode	UoL1-9	Speed Press +/-to adjust the sensitivity
8	Red	Au 1	press this button for Red
9	Green	Au 2	press this button for Green
10	Blue	Au 3	press this button for Blue
11	Rose	Au 6	press this button for Rose
12	Amber	Au 4	press this button for Amber
13	Cyan	Au 5	press this button for Cyan
14	White	Au 7	press this button for White
15	Speed-		Slow down Jump/Gradual/ Flash speed & Sound sensitivity, Select Static Color
16	Speed+		Increase Jump/Gradual/ Flash speed & Sound sensitivity, Select Static Color

DMX TRAITS

Channel	Function	Value	Description
CH1	Bright Adjustment	0-255	0 to 100%
CH2	Red	0-255	
CH3	Green	0-255	
CH4	Blue	0-255	
CH5	Strobe	0-9	
		10-255	

CH6	No Function	0-50
	Hopping	51-100
	Fade	101-150
	Pulse	151-200
	Auto	201-250
	Sound	251-255

Note: CH1 is the brightness adjustment for CH2-6.



SPECIFICATIONS

Model: 36LEDs Par Lights x 1

Voltage:	100V ~ 240V / 50~60 Hz
LEDs:	36 x 1W RGB LEDs
Working Position:	Any safe working position
Power Draw:	36W
Weight:	3.3 lbs. / 1.5 Kgs.
Dimensions:	8.7x7.5x7.1 in / 22x19x18 cm
Colors:	RGB Color Mixing
DMX Channels:	6-Channel DMX Mode
Warranty:	1 Year (365 Days)
Control:	DMX / RF Remote
Battery:	7500mAH

Please Note: Specifications and improvements in the design of this unit and this manual are subject to change without any prior written notice.

LaluceNatz

Voice: +86-180-9898-6330

Email: info@lalucenatzonline.com

Website: www.lalucenatzonline.com