

User Manual of Product 1:

Husqvarna Automower® 115H (1st Generation) Connect
Robotic Lawn Mower

User Manual of Product 2:

Worx Edger Lawn Tool, Electric Lawn Edger 12 Amp 7.5",
Grass Edger & Trencher WG896



Operator's manual 115H

Read the operator's manual carefully and make sure that you understand the instructions before you use the product.



EN, English

Contents

1 Introduction	
1.1 Introduction.....	3
1.2 Product overview.....	4
1.3 Symbols on the product.....	5
1.4 Symbols on the display.....	5
1.5 Symbols on the battery.....	5
1.6 Menu structure overview.....	7
1.7 Display.....	8
1.8 Keypad	8
2 Safety	
2.1 Safety definitions.....	9
2.2 General safety instructions.....	9
2.3 Safety instructions for operation.....	11
3 Installation	
3.1 Introduction - Installation.....	14
3.2 Before the installation of the wires.....	14
3.3 Before the installation of the product.....	14
3.4 Installation of the product.....	19
3.5 To put the wire into position with stakes...20	
3.6 To bury the boundary wire or the guide wire.....	20
3.7 To extend the boundary wire or the guide wire.....	20
3.8 After the installation of the product.....	21
3.9 To do the product settings.....	21
4 Operation	
4.1 The ON/OFF button.....	27
4.2 To start the product.....	27
4.3 Operating modes.....	27
4.4 To stop the product.....	28
4.5 Switch off.....	28
4.6 To charge the battery.....	29
4.7 Adjust the cutting height.....	29
5 Maintenance	
5.1 Introduction - maintenance.....	30
5.2 Clean the product.....	30
5.3 Replace the blades.....	31
5.4 Firmware update.....	31
5.5 Battery.....	32
5.6 Winter service.....	33
6 Troubleshooting	
6.1 Introduction - troubleshooting.....	34
6.2 Fault messages.....	34
6.3 Information messages.....	38
6.4 Indicator lamp in the charging station.....	39
6.5 Symptoms.....	40
6.6 Find breaks in the loop wire.....	41
7 Transportation, storage and disposal	
7.1 Transportation.....	44
7.2 Storage.....	44
7.3 Disposal.....	44
8 Technical data	
8.1 Technical data.....	45
8.2 Registered trademarks.....	47
9 Warranty	
9.1 Warranty terms.....	48
10 Applicable to US/CA market	
10.1 Supplier's Declaration of Conformity.....	49
10.2 Compliance requirements.....	49

1 Introduction

1.1 Introduction

Serial number:
PIN code:
Product registration key:

The serial number is on the product rating plate and on the product carton.

- Use the serial number to register your product on www.husqvarna.com.

1.1.1 Support

For support about the Husqvarna product, speak to your servicing dealer.

1.1.2 Product description

Note: Husqvarna regularly updates the appearance and function of the products. Refer to *Support on page 3*.

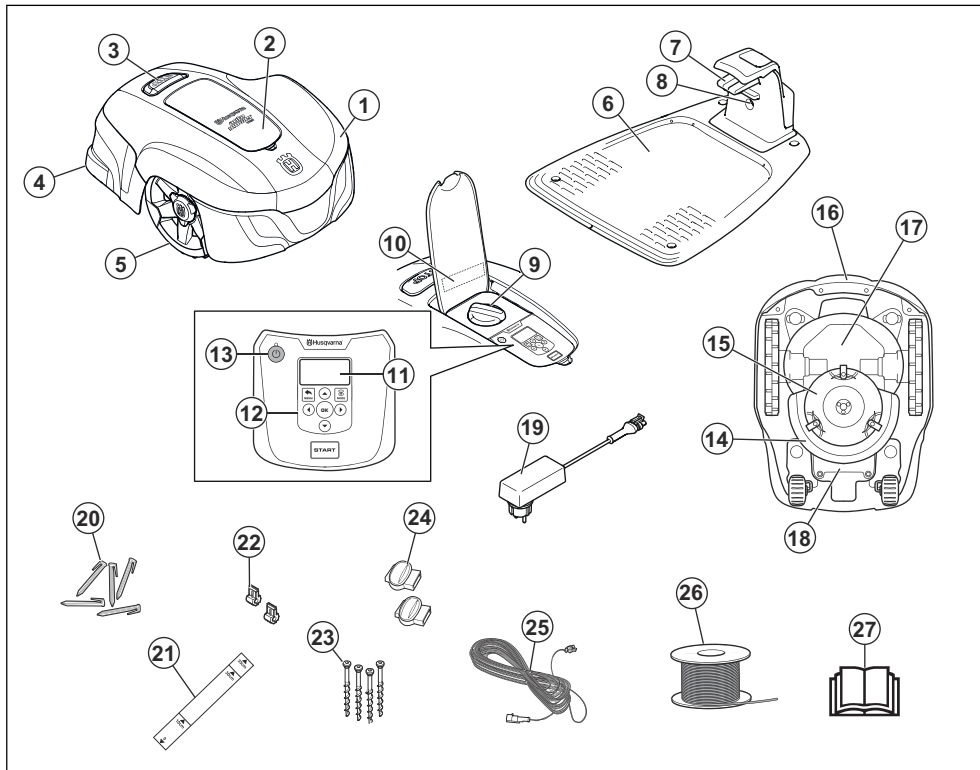
automatically. Collection of grass is not necessary.

The operator selects the operation settings with the keys on the keypad. The display shows the selected and possible operation settings, and the operating mode of the product.

The boundary wire and the guide wire controls the movement of the product within the work area.

The product is a robotic lawn mower. The product has a battery power source and cuts the grass

1.2 Product overview



The numbers in the figure represent:

- | | |
|--|---|
| 1. Body | 16. Handle |
| 2. Hatch to display and keypad | 17. Chassis box with electronics, battery and motors |
| 3. Stop button | 18. Battery cover |
| 4. Rear wheels | 19. Power supply (the appearance of the power supply may differ depending on market) |
| 5. Front wheels | 20. Stakes |
| 6. Charging station | 21. Measurement gauge for help when installing the boundary wire (the measurement gauge is broken loose from the box) |
| 7. Contact strips | 22. Connector for the loop wire |
| 8. LED for operation check of the charging station, boundary wire and guide wire | 23. Screws for securing the charging station |
| 9. Cutting height adjustment | 24. Couplers for loop wire |
| 10. Rating plate | 25. Low voltage cable |
| 11. Display | 26. Loop wire for boundary loop and guide wire |
| 12. Keypad | 27. Operator's Manual and Quick Guide |
| 13. ON/OFF button | |
| 14. Cutting system | |
| 15. Blade disc | |

1.3 Symbols on the product

These symbols can be found on the product. Study them carefully.



WARNING: Read the user instructions before operating the product.



WARNING: Operate the disabling device before working on or lifting the product.

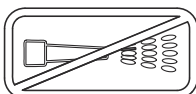
The product can only start if the **ON/OFF** button is pressed and the indicator lamp is lit. Also, the correct PIN code must be entered. Before any inspections or maintenance is done, turn off the product and check that the indicator lamp on the **ON/OFF** button is not lit.



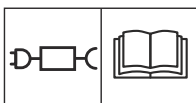
WARNING: Keep a safe distance from the product when operating. Keep your hands and feet away from the rotating blades.



WARNING: Do not ride on the product. Never put your hands or feet close to or under the product.



Do not use a high-pressure washer.



Use a detachable power supply as defined on the rating label next to the symbol.



This product conforms to the applicable EC Directives.



Noise emission to surroundings. The product's emissions are set out in *Technical data on page 45* and on the rating plate.



It is not permitted to dispose this product as normal household waste. Ensure that the product is recycled in accordance with local legal requirements.



The low voltage cable must not be shortened, extended or spliced. Do not use a trimmer nearby the low voltage cable. Be careful when trimming edges where the cables are placed.

1.4 Symbols on the display



The schedule function controls when the product cuts the lawn.



The settings function is where the general settings for the products are set.



The product will not cut the grass due to the schedule function.



The product overrides the schedule function.



The battery indicator shows the charge level of the battery. When the product charges the symbol flashes.



The product is put in the charging station but do not charge the battery.



The product is set in ECO-mode.

1.5 Symbols on the battery



Read the user instructions.

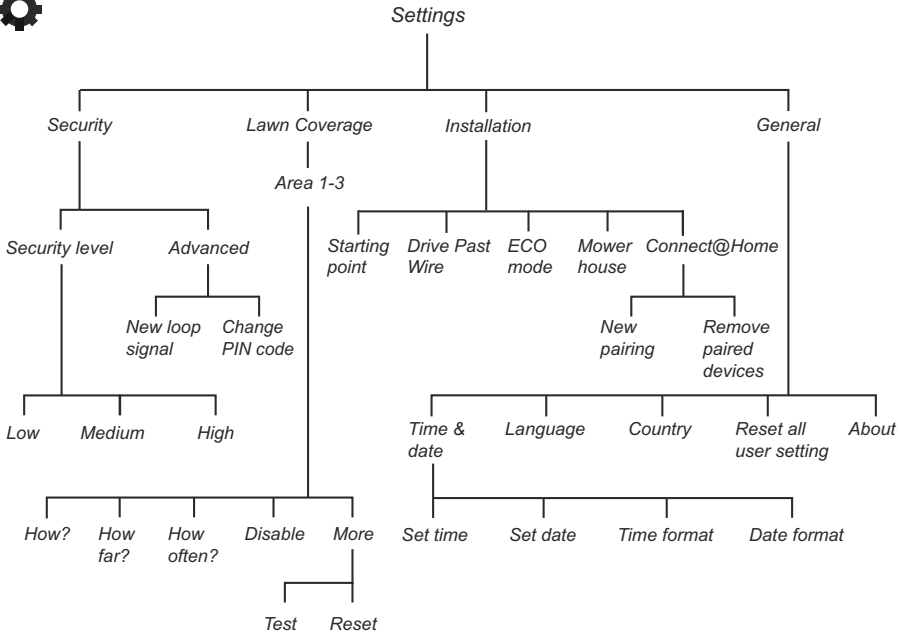
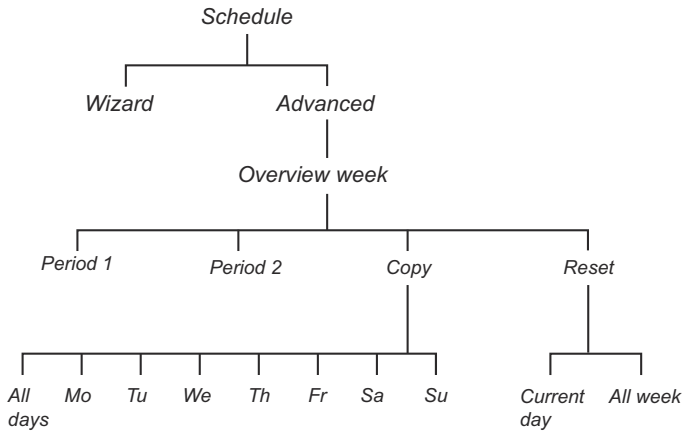


Do not discard the battery into fire and do not expose the battery to a heat source.



Do not immerse the battery into water.

1.6 Menu structure overview



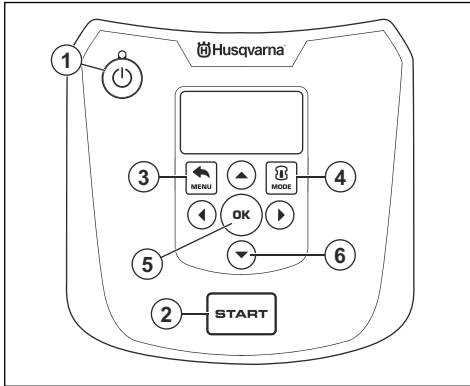
1.7 Display

The display on the product shows information and settings of the product.

To access the display, push the **STOP** button.

1.8 Keypad

The keypad consists of these buttons:



1. The **ON/OFF** button is used to turn the product **ON/OFF**. The indicator lamp on the **ON/OFF** button is an important status indicator. Refer to *The indicator lamp on page 27*.
2. The **Start** button is used to start the operation of the product.
3. The **Menu** button is used to go to the main menu.

Note: The **Menu** button is also used as a **Back** button, that is, when moving back up in the menu lists.
4. The **Mode** button is used to choose operating mode, for example, *Main area* or *Park*.
5. The **OK** button is used to confirm the chosen settings in the menus.
6. The **arrow keys** are used to navigate in the menu. The **up/down arrow keys** are also used to enter digits, for example, PIN code, time and date

2 Safety

2.1 Safety definitions

Warnings, cautions and notes are used to point out specially important parts of the manual.



WARNING: Used if there is a risk of injury or death for the operator or bystanders if the instructions in the manual are not obeyed.



CAUTION: Used if there is a risk of damage to the product, other materials or the adjacent area if the instructions in the manual are not obeyed.

Note: Used to give more information that is necessary in a given situation.

2.2 General safety instructions

The following system is used in the Operator's Manual to make it easier to use:

- Text written in *italics* is a text that is shown on the display of the product or is a reference to another section in the Operator's Manual.
- Text written in **bold** is one of the buttons on the keypad of the product.
- Text written in *UPPERCASE* and *italics* refer to the different operating modes available in the product.

2.2.1 IMPORTANT. READ CAREFULLY BEFORE USE. KEEP FOR FUTURE REFERENCE

The operator is responsible for accidents or hazards occurring to other people or property.

This appliance is not intended for use by persons (including children) with reduced physical, sensory or mental capabilities (that could affect a safe handling of the product), or lack of experience and knowledge, unless they have been given supervision or instruction concerning use of the appliance by a person responsible for their safety.

This appliance can be used by children aged from 8 years and above and persons with reduced physical, sensory or mental capabilities or lack of experience and knowledge if they have been given supervision or instruction concerning use of the appliance in a safe way and understand the hazards involved. Local regulations may restrict the age of the operator. Cleaning and maintenance shall not be made by children without supervision.

Never connect the power supply to an outlet if the plug or cord is damaged. Worn or damaged cord increase the risk of electric shock.

Only charge the battery in the included charging station. Incorrect use may result in electric shock, overheating or leaking of corrosive liquid from the battery. In the event of leakage of electrolyte, flush with water/neutralizing agent. Seek medical help if it comes in contact with the eyes.

Use only original batteries recommended by the manufacturer. Product safety cannot be guaranteed with other than original batteries. Do not use non-rechargeable batteries.

The appliance must be disconnected from the supply mains when removing the battery.



WARNING: The product can be dangerous if used incorrectly.



WARNING: Do not use the product when persons, especially children, or animals, are in the work area.

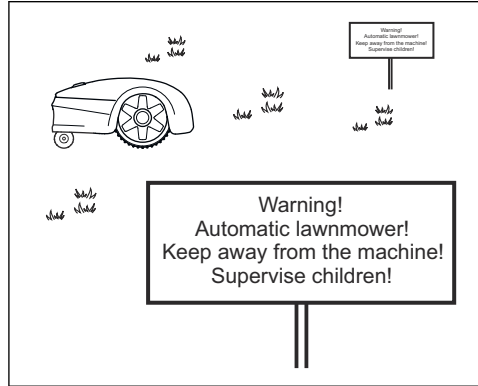


WARNING: Keep your hands and feet away from the rotating blades. Never put your hands or feet close to or under the product when the motor is running.

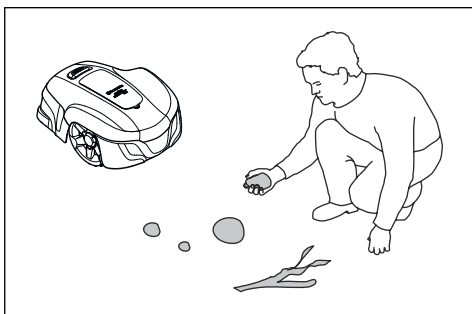
2.3 Safety instructions for operation

2.3.1 Use

- The product is designed to mow grass in open and level ground areas. It may only be used with the equipment recommended by the manufacturer. All other types of use are incorrect. The manufacturer's instructions with regard to operation/maintenance must be followed precisely.
- Warning signs shall be placed around the work area of the product if it is used in public areas. The signs shall have the following text: **Warning! Automatic lawnmower! Keep away from the machine! Supervise children!**



- Use the operating mode *Park* or turn off the product when persons, especially children, or animals, are in the work area. It is recommended to program the product for use during hours when the area is free from activity, e.g. at night. Refer to *To set the schedule on page 22*. Consider that certain species, e.g. hedgehogs, are active at night. They can potentially be harmed by the product.
- The product may only be operated, maintained and repaired by persons that are fully conversant with its special characteristics and safety regulations. Please read the Operator's Manual carefully and make sure you understand the instructions before using the product.
- It is not permitted to modify the original design of the product. All modifications are made at your own risk.
- Check that there are no stones, branches, tools, toys or other objects on the lawn that can damage the blades. Objects on the lawn can also lead to the product getting stuck. Help may be required to remove the object before the product can continue mowing. Always turn off the product using the **ON/OFF** button before clearing a blockage.



- Start the product according to the instructions. When the product is turned on, make sure to keep your hands and feet away from the rotating blades. Never put your hands and feet under the product.
- Never touch moving hazardous parts, such as the blade disc, before it has come to a complete stop.
- Never lift up the product or carry it around when it is turned on.
- Do not let persons who do not know how the product works and behaves use it.
- The product must never be allowed to collide with persons or other living creatures. If a person or other living creature comes in the product's way it shall be stopped immediately. Refer to *To stop the product on page 28*.
- Do not put anything on top of the product or its charging station.
- Do not allow the product to be used with a defective guard, blade disc or body. Neither should it be used with defective blades, screws, nuts or cables. Never connect a damaged cable, or touch a damaged cable before it is disconnected from the supply.
- Do not use the product if the **ON/OFF** button does not work.
- Always switch off the product using the **ON/OFF** button when the product is not in use. The product can only start when the **ON/OFF** button has been turned on and the correct PIN code has been entered.
- HUSQVARNA does not guarantee full compatibility between the product and other types of wireless systems such as remote controls, radio transmitters, hearing loops, underground electric animal fencing or similar.

- Metal objects in the ground (for example reinforced concrete or anti-mole nets) can result in a stoppage. The metal objects can cause interference with the loop signal which then can lead to a stoppage.
- Operation and storage temperature is 0-50 °C / 32-122 °F. Temperature range for charging is 0-45 °C / 32-113 °F. Too high temperatures might cause damage to the product.

2.3.2 Battery safety



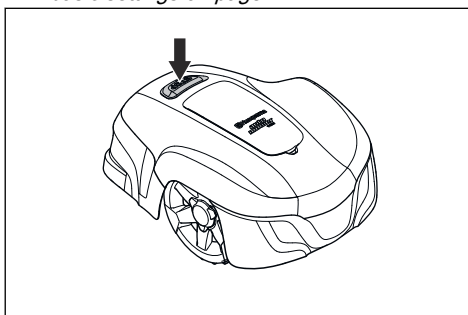
WARNING: Lithium-ion batteries can explode or cause fire if disassembled, short-circuited, exposed to water, fire, or high temperatures. Handle carefully, do not dismantle, open the battery or use any type of electrical/mechanical abuse. Avoid storage in direct sunlight.

For more information about the battery, refer to *Battery on page 32*

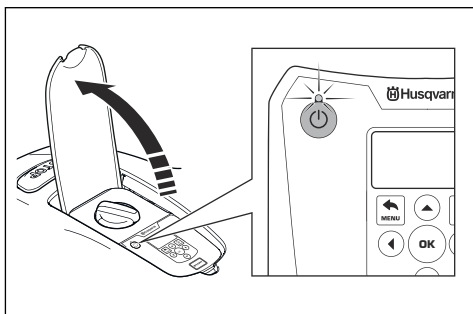
2.3.3 How to lift and move the product

To safely move from or within the work area:

1. Press the **STOP** button to stop the product. If security is set to high level (refer to *To set the security level on page 23*) the PIN code has to be entered. The PIN code contains four digits and is selected when you start the product for the first time. Refer to *To do the basic settings on page 21*.



2. Press the **ON/OFF** button and make sure the product is turned off. Check that the indicator lamp on the **ON/OFF** button is not lit. This means that the product is disabled. Refer to *The indicator lamp on page 27*.



3. Carry the product by the handle with the blade disc away from the body.



WARNING: The product must be turned off before lifting it. The product is disabled when the indicator lamp on the **ON/OFF** button is not lit.

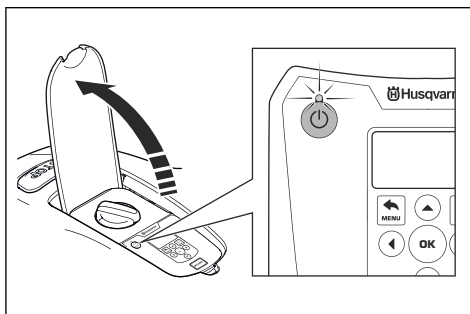


CAUTION: Do not lift the product when it is parked in the charging station. It can damage the charging station and/or the product. Press **STOP** and pull the product out of the charging station before lifting it.

2.3.4 Maintenance



WARNING: The product must be turned off before any maintenance is done. The product is disabled when the indicator lamp on the **ON/OFF** button is not lit.



CAUTION: Never use a high-pressure washer to clean the product. Never use solvents for cleaning.

Inspect the product weekly and replace any damaged or worn parts. Refer to *Introduction - maintenance* on page 30.

2.3.5 In the event of a thunderstorm

To reduce the risk of damage to electrical components in the product and the charging station, we recommend that all connections to the charging station are disconnected (power supply, boundary wire and guide wire) if there is a risk of a thunderstorm.

1. Mark the wires to simplify reconnecting. The charging station's connections are marked R, L and GUIDE.
2. Disconnect all connected wires and the power supply.
3. Connect all the wires and the power supply if there is no longer a risk of thunder. It is important that each wire is connected to the right place.

3 Installation

3.1 Introduction - Installation



WARNING: Read and understand the safety chapter before you install the product.



CAUTION: Use original spare parts and installation material.

Note: Refer to www.husqvarna.com for more information about installation.

3.2 Before the installation of the wires

You can select to attach the wires with stakes or bury them. You can use the 2 procedures for the same work area.

- Bury the boundary wire or the guide wire if you are going to use a dethatcher on the work area. If not, attach the boundary wire or guide wire with stakes.
- Cut the grass before you install the product. Make sure that the grass is maximum 4 cm / 1.6 in.

Note: The first weeks after installation the perceived sound level when cutting the grass may be higher than expected. When the product has cut the grass for some time, the perceived sound level is much lower.

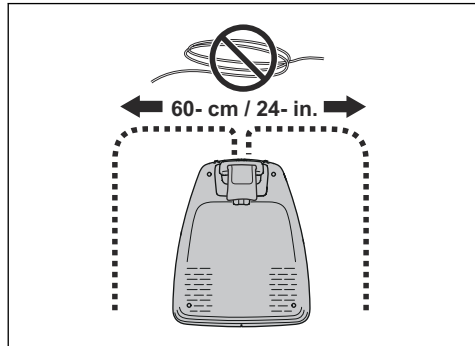
3.3 Before the installation of the product

- Make a blueprint of the work area and include all obstacles.
- Make a mark on the blueprint where to put the charging station, the boundary wire and the guide wire.
- Make an eyelet on the blueprint where the guide wire connects to the boundary wire. Refer to *To install the guide wire on page 19*.
- Fill in holes in the lawn.

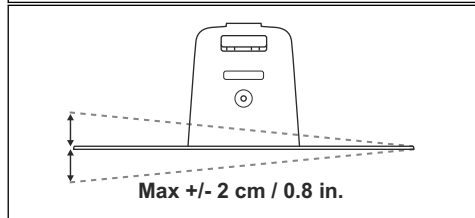
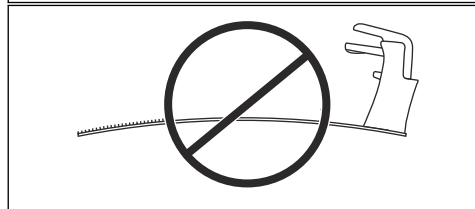
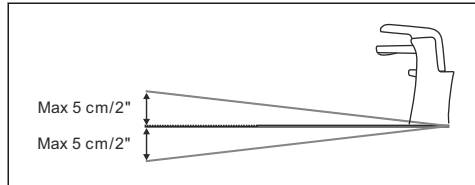
Note: Holes with water in the lawn can cause damage to the product.

3.3.1 To examine where to put the charging station

- Keep a minimum 2 m / 6.6 ft. of free space in front of the charging station.
- Keep a minimum of 30 cm / 12 in. of free space to the right and left of the center of the charging station.

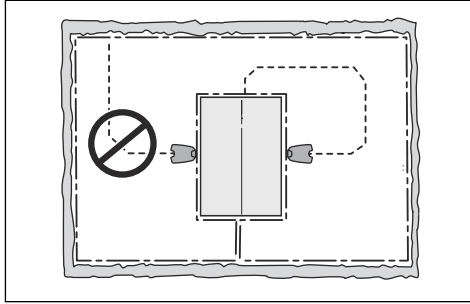


- Put the charging station near an outdoor power outlet.
- Put the charging station on a level surface.



- Put the charging station in the lowest possible section of the work area.

- Put the charging station in an area with protection from the sun.
- If the charging station is installed on an island, make sure to connect the guide wire to the island. Refer to *To make an island on page 17.*



3.3.2 To examine where to put the power supply

- Put the power supply in an area with a roof and protection from the sun and rain.
- Put the power supply in an area with good airflow.
- Use a residual-current device (RCD) when you connect the power supply to the power outlet.



WARNING: Do not change the power supply. Do not cut or extend the low-voltage cable. There is a risk of electrical shock.

Low-voltage cables of different lengths are available as accessories.



CAUTION: Make sure that the blades on the product do not cut the low-voltage cable.



CAUTION: Do not put the low-voltage cable in a coil or below the charging station plate. The coil causes interference with the signal from the charging station.



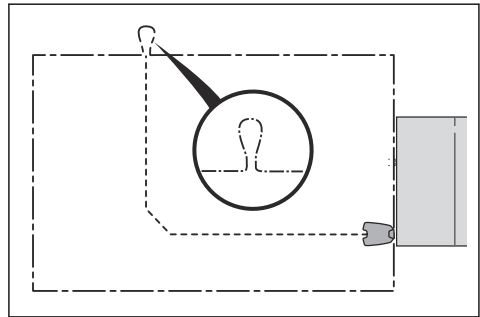
3.3.3 To examine where to put the boundary wire

The boundary wire should be put as a loop around the work area. Sensors in the product senses when the product approaches the boundary wire, and the product selects another direction.

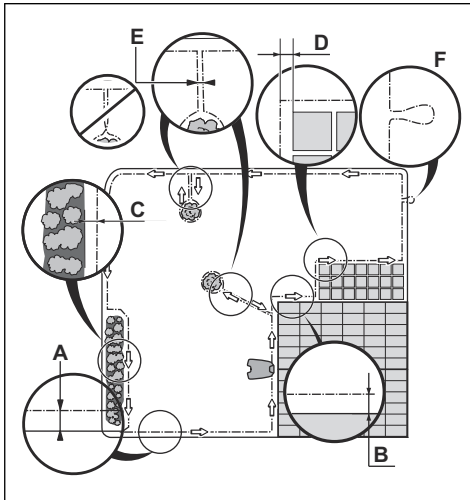


CAUTION: If the work area is adjacent to water bodies, slopes, precipices or a public road, the boundary wire must have a protective wall. The wall must be minimum 15 cm / 6 in. in height.

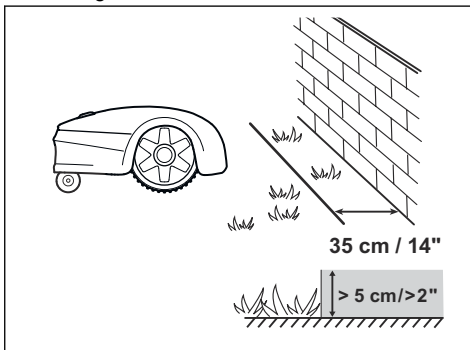
To make the connection easier between the guide wire and the boundary wire, it is recommended to make an eyelet where the guide wire will be connected. Make the eyelet with approximately 20 cm / 8 in. of the boundary wire.



Note: Make a blueprint of the work area before you install the boundary wire and guide wire.



- Put the boundary wire around all of the work area (A). Adapt the distance between the boundary wire and obstacles.
- Put the boundary wire 35 cm / 14 in. (B) from an obstacle that is more than 5 cm / 2 in. high.



- Put the boundary wire 30 cm / 12 in. (C) from an obstacle that is 1-5 cm / 0.4-2 in. high.
- Put the boundary wire 10 cm / 4 in. (D) from an obstacle that is less than 1 cm / 0.4 in.
- If you have a paving stone path that is in level with the lawn, put the boundary wire below the paving stone.

Note: If the paving stone is minimum 30 cm / 12 in. wide, use the factory setting for the

Drive Past Wire function to cut all the grass adjacent to the paving stone.



CAUTION: Do not let the product operate on gravel.

- If you make an island, put the boundary wire that runs to and from the island near together (E). Put the wires in the same stake.
- Make an eyelet (F) where the guide wire is to be connected to the boundary wire.



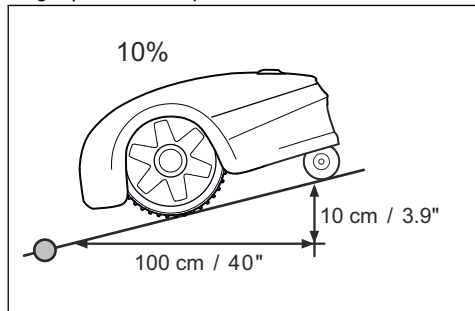
CAUTION: Do not make sharp bends when you install the boundary wire.



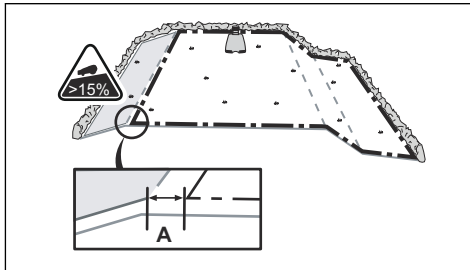
CAUTION: For careful operation without noise, isolate all obstacles such as trees, roots and stones.

3.3.3.1 To put the boundary wire in a slope

The product can operate in 30% slopes. Slopes that are too steep must be isolated with the boundary wire. The gradient (%) is calculated as height per m. Example: 10 cm / 100 cm = 10%.



- For slopes steeper than 30% inside the work area, isolate the slope with boundary wire.
- For slopes steeper than 15% along the outer edge of the lawn, put the boundary wire 20 cm / 8 in. (A) from the edge.



- Slopes adjacent to a public road must be isolated with boundary wire. Put a fence or a protective wall along the outer edge of the slope.

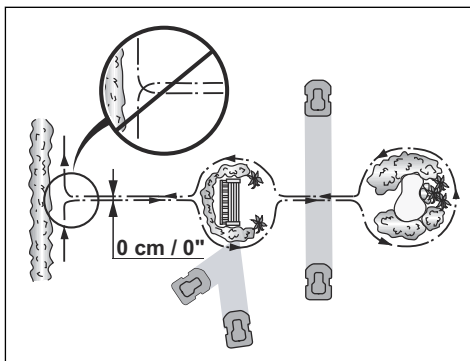
3.3.3.2 Passages

A passage is a section that has boundary wire on each side and that connects 2 work areas. The passage must be a minimum of 60 cm / 24 in. wide.

Note: If a passage is less than 2 m / 6.5 ft. wide, install a guide wire through the passage.

3.3.3.3 To make an island

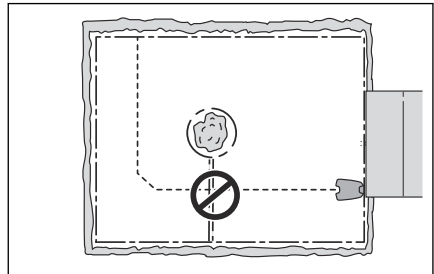
- Put the boundary wire to and around the obstacle to make an island.
- Put the 2 sections of boundary wire that run to and from the obstacle together.
- Put the 2 sections of boundary wire in the same stake.



CAUTION: Do not put a section of boundary wire across the other. The sections of boundary wire must be parallel.



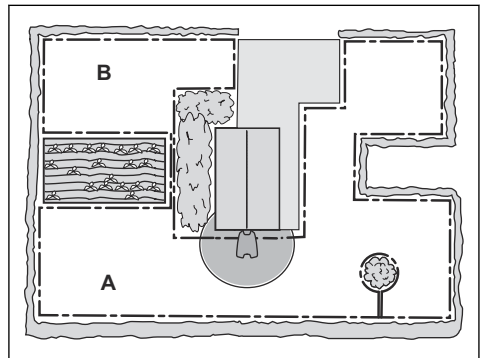
CAUTION: Do not put the guide wire across the boundary wire, for example a boundary wire that goes to an island.



3.3.3.4 To make a secondary area

Make a secondary area (B) if the work area has 2 areas that are not connected with a passage. The work area with the charging station is the main area (A).

Note: The product must be manually moved between the main area and the secondary area.



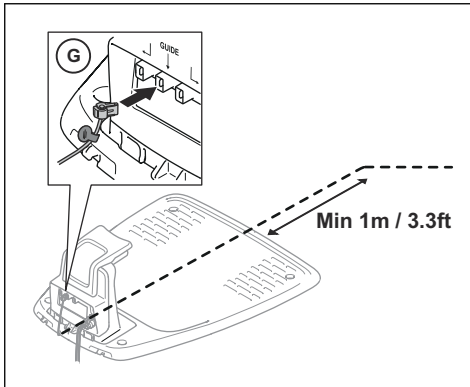
- Put the boundary wire around the secondary area (B) to make an island. Refer to *To make an island on page 17*.

Note: The boundary wire must be put as 1 loop around all of the work area (A + B).

Note: When the product cuts grass in the secondary area, the *Secondary area mode* must be selected. Refer to *2nd area on page 28*.

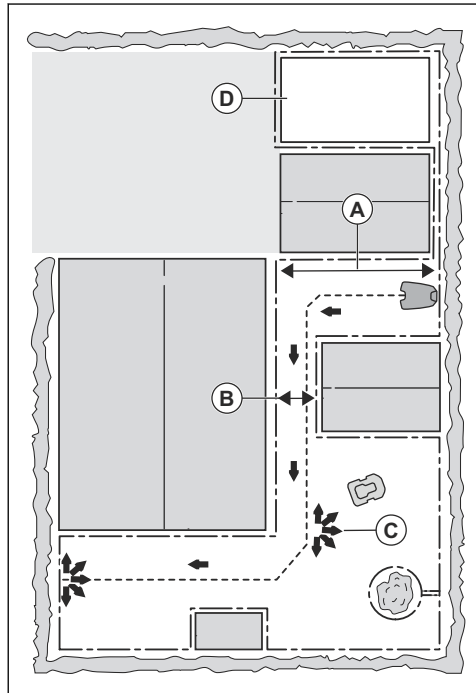
3.3.4 To examine where to put the guide wire

- Put the guide wire in a line at a minimum of 1 m / 3.3 ft. in front of the charging station.



- Make sure that the guide wire has as much free area as possible to the left of the guide wire when facing the charging station. Refer to *Guide calibration on page 21*.
- Put the guide wire minimum 30 cm / 12 in. from the boundary wire.
- Do not make sharp bends when you install the guide wire.
- If the work area has a slope, put the guide wire diagonally across the slope.

3.3.5 Work area examples



- If the charging station is put in a small area (A), make sure that the distance to the boundary wire is at a minimum 2 m / 6.6 ft.
- If the work area has a passage (B), make sure that the distance to the boundary wire is at a minimum 2 m / 6.5 ft. If the passage is smaller than 2 m / 6.5 ft., install a guide wire through the passage. Minimum passage between the boundary wire is 60 cm / 24 in.
- If the work area has areas which are connected by a narrow passage (B), you can set the product to leave the guide wire after a certain distance (C). The settings can be changed in *Lawn Coverage*. Refer to *To set the Lawn Coverage function on page 23*.
- If the work area includes a secondary area (D), refer to *To make a secondary area on page 17*. Put the product in the secondary area and select *Secondary area mode*.

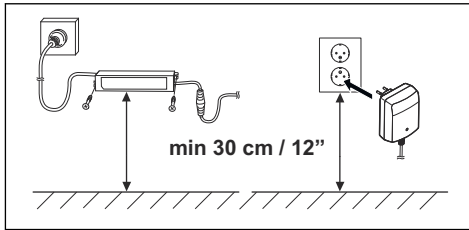
3.4 Installation of the product

3.4.1 To install the charging station



WARNING: Obey national regulations about electrical safety.

1. Read and understand the instructions about the charging station. Refer to *To examine where to put the charging station on page 14*.
2. Put the charging station in the selected area.
3. Connect the low-voltage cable to the charging station.
4. Put the power supply at a minimum height of 30 cm / 12 in.



WARNING: Do not put the power supply at a height where there is a risk it can be put in water. Do not put the power supply on the ground.



WARNING: Do not encapsulate the power supply. Condensed water can harm the power supply and increase the risk of electrical shock.

5. Connect the power supply cable to a 100-240V outdoor power outlet.



WARNING: Applicable to USA/ Canada. If power supply is installed outdoors: Risk of Electric Shock. Install only to a covered Class A GFCI receptacle (RCD) that has an enclosure that is weatherproof with the attachment plug cap inserted or removed.

6. Put the low-voltage cable in the ground with stakes or bury the cable. Refer to *To put the wire into position with stakes on page 20* or *To bury the boundary wire or the guide wire on page 20*.
7. Connect the wires to the charging station. Refer to *To install the boundary wire on page 19* and *To install the guide wire on page 19*.
8. Attach the charging station to the ground with the supplied screws.



CAUTION: Do not make new holes in the charging station plate.



CAUTION: Do not put your feet on the charging station.

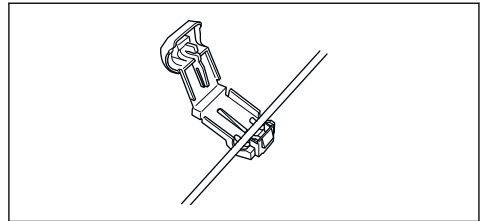
3.4.2 To install the boundary wire

1. Put the boundary wire around all of the work area. Start and complete the installation behind the charging station.



CAUTION: Do not put unwanted wire in a coil. The coil causes interference with the product.

2. Open the connector and put the boundary wire in the connector.

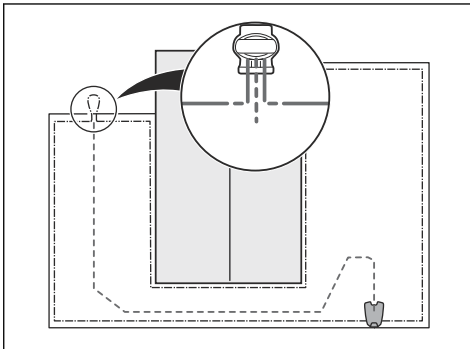


3. Close the connector with a pair of pliers.
4. Cut the boundary wire 1-2 cm / 0.4-0.8 in. above each connector.
5. Push the right connector onto the metal pin on the charging station with the mark "R".
6. Push the left connector onto the metal pin on the charging station with the mark "L".

3.4.3 To install the guide wire

1. Open the connector and put the wire in the connector.
2. Close the connector with a pair of pliers.

3. Cut the guide wire 1-2 cm / 0.4-0.8 in. above each connector.
4. Push the guide wire through the slot in the charging station plate.
5. Push the connector onto the metal pin on the charging station with the mark "G".
6. Put the end of the guide wire at the eyelet on the boundary wire.
7. Cut the boundary wire with a pair of wire cutters.
8. Connect the guide wire to the boundary wire with a coupler.



- a) Put the 2 ends of the boundary wire and the end of the guide wire into the coupler.

Note: Make sure that you can see the end of the guide wire through the transparent area of the coupler.

- b) Push the button on the coupler with an adjustable pliers.



CAUTION: Twinned cables, or a screw terminal block that is insulated with insulation tape are not satisfactory splices. Soil moisture will cause the wire to oxidize and after a time result in a broken circuit.

9. Attach the guide wire to the ground with stakes or bury the guide wire in the ground. Refer to *To put the wire into position with stakes on page 20* or *To bury the boundary wire or the guide wire on page 20*.

3.5 To put the wire into position with stakes

- Put the boundary wire and the guide wire on the ground.
- Put the stakes at a maximum of 75 cm / 30 in. distance from each other.
- Attach the stakes to the ground with a hammer or a plastic mallet.



CAUTION: Make sure that the stakes hold the boundary wire and the guide wire against the ground.

Note: The wire is overgrown with grass and not visible after a few weeks.

3.6 To bury the boundary wire or the guide wire

- Cut a groove in the ground with an edge cutter or a straight shovel.
- Put the boundary wire or the guide wire 1-20 cm / 0.4-8 in. into the ground.

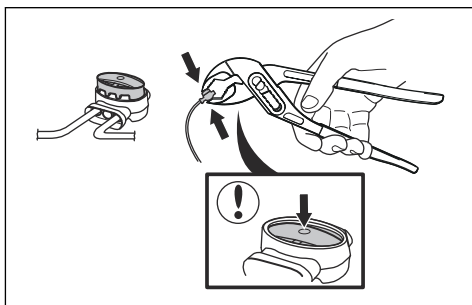
3.7 To extend the boundary wire or the guide wire

Note: Extend the boundary wire or the guide wire if it is too short for the work area. Use original spare parts, for example couplers.

1. Cut the boundary wire or the guide wire with a pair of wire cutters where it is necessary to install the extension.
2. Add wire where it is necessary to install the extension.
3. Put the boundary wire or the guide wire into position.
4. Put the wire ends into a coupler.

Note: Make sure that you can see the ends of the boundary wire or the guide wire through the transparent area of the coupler.

5. Push the button on the coupler with an adjustable pliers.



- Put the boundary wire or the guide wire into position with stakes.

3.8 After the installation of the product

3.8.1 To do a visual check of the charging station

- Make sure that the indicator LED lamp on the charging station has a green light.
- If the indicator LED lamp does not have a green light, do a check of the installation. Refer to *Indicator lamp in the charging station on page 39* and *To install the charging station on page 19*.

3.8.2 To do the basic settings

Before you start the product for the first time, you must do the basic settings.

- Push the **ON/OFF** button.
- Push the **arrow buttons** and the **OK** button. Select *language, country, date, time* and set a PIN code.

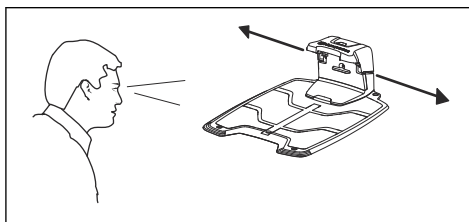
Note: It is not possible to use 0000 as PIN code.

- Put the product in the charging station.
- Push the **START** button and close the hatch.

3.8.3 Guide calibration

The calibration process sets as wide guide corridor as possible to reduce the risk of tracks forming on the lawn. Refer to *To set the starting point on page 24*.

Note: The product always runs to the left of the guide wire (as seen facing the charging station).



If the distance on the left side of the starting point is less than 0.6 m / 2 ft. the calibration process is interrupted. For the widest possible guide corridor, make sure that the distance from the starting point to the boundary wire is minimum 1.35 m / 4.5 ft. (perpendicular to the guide wire).

3.9 To do the product settings

The product has factory settings but the settings can be adapted to each work area.

3.9.1 To get access to the menu

- Push the **STOP** button.
- Use the **up/down arrow buttons** and the **OK** button to enter the PIN code.
- Push the **MENU** button.

3.9.2 To do the schedule settings



3.9.2.1 Wizard

The wizard is a quick tool to find suitable schedule settings for your lawn.

- Enter your estimated lawn size. It is not possible to enter a larger lawn size than the maximum work capacity.
- Push the **OK** button to confirm the lawn size. By entering your lawn size the wizard suggests either a suitable daily schedule (go to step 4) or need input for inactive days.
- Choose what day(s) the product should be inactive. Use the up/down **arrow buttons** to shift between days.
- Push the **OK** button to confirm the chosen inactive day(s).
- The wizard suggests a daily schedule for the active days. If you want to move the schedule interval to earlier or later in the day then push the **arrow buttons** up or down.

- Push the **OK** button to confirm the daily schedule. An overview of the daily schedule is presented. Push the **OK** button to go back to main menu.

Note: To change the schedule settings for individual work days use the *Schedule - Advanced* menu.

3.9.2.2 To calculate the schedule setting

- Calculate the dimension of your lawn in m^2 / yd^2 .
- Divide the m^2 / yd^2 of the lawn with the approximate operation capacity. Refer to table below.
- The result is equal to the number of hours that the product must operate each day. The number of hours includes both operation and charging time.

Note: The operation capacity is approximate and schedule settings can be adjusted.

Model	Approximate operation capacity, m^2 / yd^2 / h
115H	67 / 80

Example: A lawn of $1000 m^2$ / $1200 yd^2$, cut with a 115H.

$$1000 m^2 / 67 \approx 15 h.$$

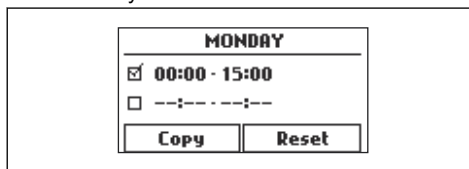
$$1200 yd^2 / 80 \approx 15 h.$$

Days / week	h / day	Schedule settings
7	15	07:00 - 22:00 / 7 am - 10 pm

3.9.2.3 To set the schedule

- Do steps 1–3 in *To get access to the menu on page 21*.
- Use the **arrow buttons** and the **OK** button to move through the menu structure *Schedule > Advanced > Overview*.
- Use the **arrow buttons** and the **OK** button to select the day.
- Use the left **arrow button** to select the period.

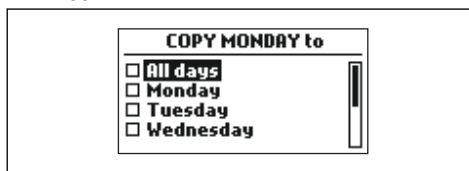
- Push the **OK** button.
- Enter the time with the **arrow buttons**. The product can cut the grass 1 or 2 periods each day.



- If the product must not cut grass on a specified day, unselect the box adjacent to the 2 time periods.

3.9.2.4 To copy the schedule setting

- Do steps 1–3 in *To get access to the menu on page 21*.
- Use the **arrow buttons** and the **OK** button to move through the menu structure *Schedule > Advanced > Overview > Copy*.
- Use the **arrow buttons** and the **OK** button to copy the schedule setting. You can copy the schedule settings day to day or for the full week.



3.9.2.5 To reset the schedule setting

You can remove all schedule settings and use the factory setting.

- Do steps 1–3 in *To get access to the menu on page 21*.
- Use the **arrow buttons** and the **OK** button to move through the menu structure *Schedule > Advanced > Overview > Reset*.
 - Push the **arrow buttons** to select *Current day* to only set the current day to factory settings.
 - Push the **arrow buttons** to select *All week* to reset all schedule settings to factory settings.
- Push the **OK** button.

3.9.3 Security level



There are 3 security levels for the product.

Function	Low	Medium	High
Alarm			X
PIN-code		X	X
Time lock	X	X	X

- **Alarm** - An alarm goes off if the PIN-code is not entered within 10 seconds after the **STOP** button is pushed. The alarm also goes off when the product is lifted. The alarm stops when the PIN-code is entered.
- **PIN-code** - The correct PIN-code must be entered to get access to the Menu structure of the product. If the incorrect PIN-code is entered 5 times, the product is locked for a time. The lock is extended for each new incorrect try.
- **Time lock** - The product locks if the PIN-code has not been entered in 30 days. Enter the PIN-code to get access to the product.

3.9.3.1 To set the security level

Select 1 of 3 security levels for your product.

1. Do steps 1–3 in *To get access to the menu on page 21*.
2. Use the **arrow buttons** and the **OK** button to move through the menu structure *Settings > Security > Security level*.
3. Use the **arrow buttons** and the **OK** button to select the level of security.
4. Push the **OK** button.

3.9.3.2 To change the PIN-code

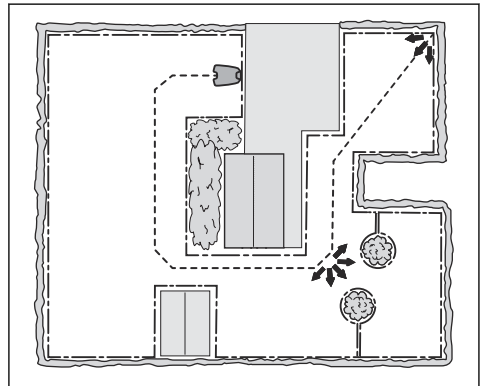
1. Do steps 1–3 in *To get access to the menu on page 21*.
2. Use the **arrow buttons** and the **OK** button to move through the menu structure *Settings > Security > Advanced > Change PIN-code*.
3. Enter the new PIN code.
4. Push the **OK** button.
5. Enter the new PIN code.
6. Push the **OK** button.

7. Make a note of the new PIN code. Refer to *Introduction on page 3*.

3.9.4 Lawn Coverage

The *Lawn Coverage* function is used to guide the product to remote parts of the work area. If the work area includes areas that are connected with narrow passages, the *Lawn Coverage* function is useful to be able to maintain a well-cut lawn in all parts of the yard. The product begins to mow when it reaches the remote area. At all other times, the product leaves the charging station in the standard manner and starts to mow.

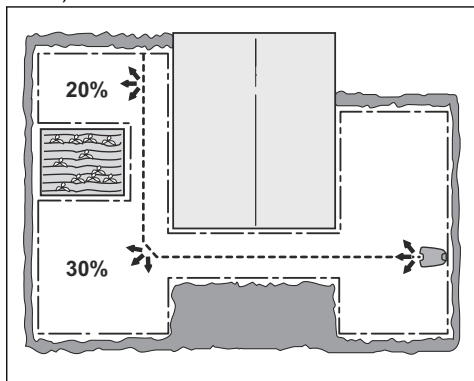
Note: You can use up to 3 remote areas but the sum of Proportion for Area 1-3 cannot exceed 100%.



3.9.4.1 To set the Lawn Coverage function

1. Do steps 1–3 in *To get access to the menu on page 21*.
2. Use the **arrow buttons** and the **OK** button to move through the menu structure *Settings > Lawn Coverage > Area 1-3*.
3. Use the **arrow button** to select the area.
4. Push the **OK** button.
5. Measure the distance from the charging station to the start of the area. Measure along the guide wire. Refer to *To measure the distance from the charging station on page 24*.
6. Push the **arrow buttons** to select the distance, measured in m.
7. Push the **OK** button.

8. Use the **arrow buttons** to select the % of the cutting time the product must cut the area. The % is equal to the % of the area in relation to the complete work area.
 - a) Measure the area.
 - b) Divide the area with the work area.
 - c) Convert the result to %.



9. Push the **BACK** button.

3.9.4.2 To do a test of the Lawn Coverage function

1. Put the product in the charging station.
2. Do step 1-3 in *To get access to the menu on page 21*.
3. Use the **arrow buttons** and the **OK** button to move through the menu structure *Settings > Lawn Coverage > Area 1-3 > More > Test*.
4. Push the **OK** button.
5. Push the **START** button.
6. Close the hatch.
7. Make sure the product can find the area.

3.9.4.3 To measure the distance from the charging station

1. Put the product in the charging station.
2. Do steps 1-3 in *To get access to the menu on page 21*.
3. Use the **arrow buttons** and the **OK** button to move through the menu structure *Settings > Lawn Coverage > Area 1-3 > How far?*
4. Use the **arrow buttons** to set 500 m as a distance.
5. Push the **OK** button.

6. Use the **arrow buttons** and the **OK** button to move through the menu structure *Settings > Lawn Coverage > Area 1-3 > More > Test*.
7. Push the **OK** button.
8. Push the **STOP** button when the product is at the distance you select to measure. The distance shows in the display.

3.9.4.4 To disable or enable the Lawn Coverage function

Disable or enable the *Lawn Coverage* function for each area.

1. Do steps 1-3 in *To get access to the menu on page 21*.
2. Use the **arrow buttons** and the **OK** button to move through the menu structure *Settings > Lawn Coverage > Area 1-3 > Disable*.
3. Push the **OK** button.
4. Push the **BACK** button.

3.9.4.5 To reset the Lawn Coverage settings

You can reset the *Lawn Coverage* settings for each area and use the factory setting.

1. Do steps 1-3 in *To get access to the menu on page 21*.
2. Use the **arrow buttons** and the **OK** button to move through the menu structure *Settings > Lawn Coverage > Area 1-3 > More > Reset*.
3. Push the **OK** button.

3.9.5 To set the starting point

This function allows you to control how far the product drives along the guide wire from the charging station before it starts operating. The factory setting is 60 cm and the maximum distance is 300 cm.

Note: This is a useful function if the charging station is placed below a veranda or in another limited space area. If the charging station is placed in an open area, the factory setting can be used. Choosing a good starting point is important so that the guide calibration process is optimized.

1. Do steps 1-3 in *To get access to the menu on page 21*.
2. Use the **arrow button** and the **OK** button to move through the menu structure *Settings > Installation > Starting point*.

3. Use the **arrow buttons** to specify the distance in cm.
4. Push the **BACK** button.

3.9.6 To set the Drive Past Wire function

The front of the product always moves past the boundary wire by a specified distance before the product moves back into the work area. The factory setting is 32 cm. You can select a distance of 20-30 cm.

1. Do steps 1–3 in *To get access to the menu on page 21*.
2. Use the **arrow button** and the **OK** button to move through the menu structure *Settings > Installation > Drive Past Wire*.
3. Use the **arrow buttons** to set the distance in cm.
4. Push the **BACK** button.

3.9.7 ECO mode

ECO mode stops the signal in the boundary loop, the guide wire and the charging station, when the product is parked or is charging.

Note: Use *ECO mode* to save energy and avoid interference with other equipment, for example hearing loops or garage doors.

Note: Push the **STOP** button before you remove the product from the charging station. If not, the product can not be started in the work area.

3.9.7.1 To set the ECO mode

1. Do steps 1–3 in *To get access to the menu on page 21*.
2. Use the arrow buttons and the **OK** button to move through the menu structure *Settings > Installation > ECO mode*.
3. Push the **OK** button to select the *ECO mode*.
4. Push the **BACK** button.

3.9.8 To avoid collisions with the mower house

If you have installed a mower house (accessory), the wear on the product and the mower house decreases when you select *Avoid house collisions*.

1. Do steps 1–3 in *To get access to the menu on page 21*.
2. Use the arrow buttons and the **OK** button to move through the menu structure *Settings > Installation > Mower house > Avoid house collisions*.
3. Push the **BACK** button.

Note: If *Avoid house collisions* is selected it can result in grass that is not cut around the charging station.

3.9.9 Automower® Connect@Home

The product can connect to mobile devices that have the Automower® Connect app installed. Automower® Connect is a free app for your mobile device. The short-range interaction with the product is called Automower® Connect@Home. When pairing between the product and app has been confirmed, you have access to the menus and functions as long as you are within short-range (Bluetooth®).

3.9.9.1 To install the Automower® Connect app

1. Download the Automower® Connect app on your mobile device.
2. Register in the Automower® Connect app.
3. Log in to your Husqvarna account in the Automower® Connect app.

3.9.9.2 To pair Automower® Connect and the product

1. Do steps 1–3 in *To get access to the menu on page 21*.
2. Use the **arrow buttons** and the **OK** button to move through the menu structure *Settings > Installation > Connect@Home > New pairing*.
3. Select *My mowers* in the Automower® Connect app.
4. Select the plus sign (+).
5. Follow the instructions in the app.

3.9.10 General

In *General* you can change the general settings of the product.

3.9.10.1 To set the time & date

1. Do steps 1–3 in *To get access to the menu on page 21*.

2. Use the **arrow buttons** and the **OK** button to move through the menu structure *Settings > General > Time & Date*.
3. Use the **arrow buttons** to set the time and then push the **BACK** button.
4. Use the **arrow buttons** to set the date and then push the **BACK** button.
5. Use the **arrow buttons** to set the time format and then push the **BACK** button.
6. Use the **arrow buttons** to set the date format and then push the **BACK** button.

3.9.10.2 To set the language

1. Do steps 1–3 in *To get access to the menu on page 21*.
2. Use the **arrow buttons** and the **OK** button to move through the menu structure *Settings > General > Language*.
3. Use the **arrow buttons** to select language and then push the **BACK** button.

3.9.10.3 To set the country

1. Do steps 1–3 in *To get access to the menu on page 21*.
2. Use the **arrow buttons** and the **OK** button to move through the menu structure *Settings > General > Country*.
3. Use the **arrow buttons** to select country and then push the **BACK** button.

3.9.10.4 To reset all user settings

1. Do steps 1–3 in *To get access to the menu on page 21*.
2. Use the **arrow buttons** and the **OK** button to move through the menu structure *Settings > General > Reset all user settings*.
3. Use the **right arrow button** to select *Proceed with reset of all user settings?*
4. Push the **OK** button to reset all the user settings.

Note: *Security level, PIN code, Loop signal, Messages, Date & Time, Language and Country settings* are not reset.

3.9.10.5 The About menu

The *About* menu displays information about the product, for example serial number and firmware versions.

4 Operation

4.1 The ON/OFF button



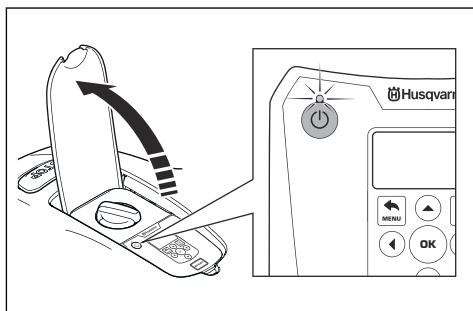
WARNING: Read the safety instructions carefully before you start the product.



WARNING: Keep your hands and feet away from the rotating blades. Never put your hands or feet close to or under the machine when the motor is running.



WARNING: Do not use the product when persons, especially children, or animals, are in the work area.



- Press the **ON/OFF** button to turn the product on. The product is active when the indicator lamp on the **ON/OFF** button is lit.
- Press the **ON/OFF** button to turn the product off.

4.1.1 The indicator lamp

The indicator lamp on the **ON/OFF** button is an important status indicator:

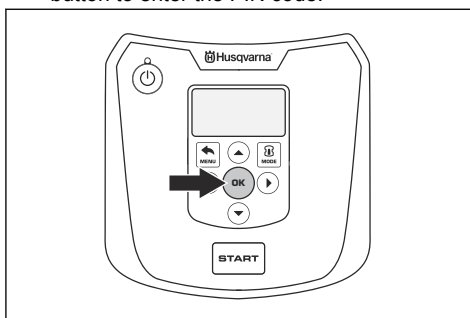
- The product is active if the indicator lamp lights continuously.
- The product is in standby if the indicator lamp flashes. This means that the operator must press the **ON/OFF** button to make the product active again.
- The product is disabled when the indicator lamp is not lit.



WARNING: It is only safe to carry out inspection or maintenance on the product when the product is disabled. The product is disabled when the lamp on the **ON/OFF** button is not lit.

4.2 To start the product

1. Open the hatch to the keypad.
2. Push the **ON/OFF** button. The display is lit up.
3. Use the **up/down arrow buttons** and the **OK** button to enter the PIN code.



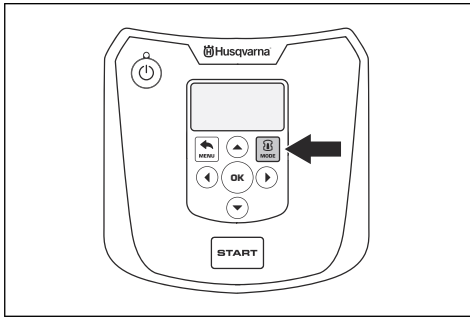
4. Select the desired operating mode and confirm with the **OK** button. Refer to *Operating modes on page 27*.
5. Close the hatch.

Note: If the product is parked in the charging station, the product will only leave the charging station when the battery is fully charged and if the schedule allows the product to operate.

4.3 Operating modes

When the **Mode** button is pressed the following operating modes can be selected:

- Main area
- Secondary area (2nd area)
- Park
- Park / Schedule
- Override schedule
- Spot cutting



4.3.1 Main area

Main area is the standard operating mode where the product mows and charges automatically.

4.3.2 2nd area

To mow secondary areas the operating mode *2nd area* must be chosen. In the *2nd area* mode, the operator must move the product manually between the main area and the secondary area. The product mows until the battery is empty. When the battery is empty, the product stops and the message *Needs manual charging* shows in the product display. Put the product in the charging station to charge the battery. When the battery is charged, the product moves out of the charging station and stops. The product is now prepared to start operation, but needs confirmation from the operator first.

Note: If you want to cut the main area after the battery is charged, set the product to *Main area* mode before placing it in the charging station.

4.3.3 Park

Operating mode *Park* means that the product remains in the charging station until a different operating mode is selected.

4.3.4 Park / Schedule

Operating mode Park / Schedule means that the product remains in the charging station until the next schedule or standby permits operation. Refer to *To set the schedule on page 22*.

4.3.5 Override schedule

The schedule settings can be temporarily overridden by selecting *Override schedule*. It is possible to override the schedule for 3 h. It is not possible to override a standby period.

4.3.6 Spot cutting

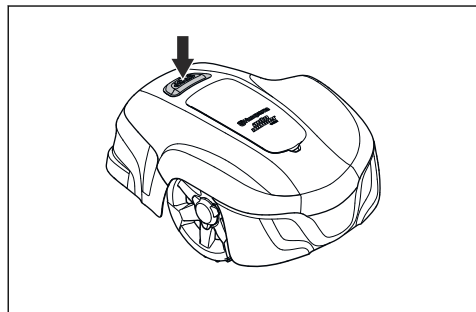
The *Spot cutting* function is activated with the **START** button and is useful for quickly mowing an area where the grass has been mown less than in other parts of the yard. You must manually move the product to the chosen area.

Spot cutting means that the product mows in a spiral pattern in order to cut the grass in the area where it was started. When this is done, the product automatically switches back to *Main area* or *Secondary area*.

4.4 To stop the product

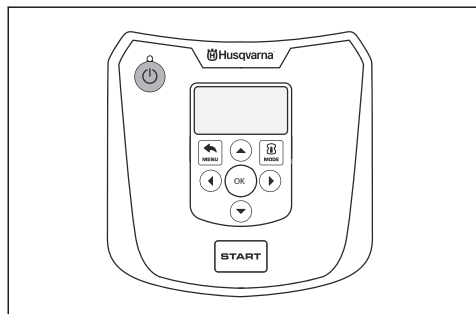
1. Press the **STOP** button on top of the product.

The product stops and the blade motor stops.



4.5 Switch off

1. Press the **STOP** button.
2. Open the hatch.
3. Press the **ON/OFF** button for 3 seconds.



4. The product shuts down.
5. Check that the indicator lamp on the **ON/OFF** button is not lit.

4.6 To charge the battery

When the product is new or has been stored for a long period, the battery can be empty and needs to be charged before starting. In the *Main area* mode, the product automatically alternates between mowing and charging.



WARNING: Only charge the product using a charging station which is intended for it. Incorrect use may result in electric shock, overheating or leakage of corrosive liquid from the battery.

In the event of leakage of electrolyte flush with water and seek medical help if it comes in contact with the eyes etc.

1. Press the **ON/OFF** button to start the product.
2. Place the product in the charging station. Slide the product in as far as possible to ensure proper contact between the product and the charging station. Refer to contact and charging strips in *Product overview on page 4*
3. The display shows a message that charging is in progress.

4.7 Adjust the cutting height

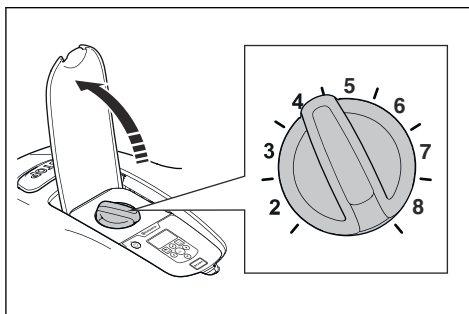
The cutting height can be varied from MIN (5 cm / 2 in.) to MAX (9 cm / 3.6 in.).



CAUTION: During the first weeks after a new installation, the cutting height must be set to MAX to avoid damaging the loop wire. After this, the cutting height can be lowered step by step every week until the desired cutting height has been reached.

4.7.1 To adjust the cutting height

1. Press the **STOP** button to stop the product.
2. Open the hatch.



3. Turn the knob to the required position.
 - Turn clockwise to increase the cutting height.
 - Turn counter-clockwise to decrease the cutting height.
4. Close the hatch.

5 Maintenance

5.1 Introduction - maintenance

For better operating reliability and longer service life: check and clean the product regularly and replace worn parts if necessary. All maintenance and servicing must be done according to Husqvarna's instructions. Refer to *Warranty terms on page 48*.

When the product is first used, the blade disc and blades should be inspected once a week. If the amount of wear during this period has been low, the inspection interval can be increased.

It is important that the blade disc rotates easily. The edges of the blades should not be damaged. The lifetime of the blades varies immensely and depends for instance on:

- Operating time and size of the work area.
- Type of grass and seasonal growth.
- Soil, sand and use of fertilizers.
- The presence of objects such as cones, windfalls, toys, tools, stones, roots and the like.

The normal life is 4 to 7 weeks when used under favorable conditions. Refer to *To replace the blades on page 31* on how to replace the blades.

Note: Working with blunt blades gives a poorer mowing result. The grass is not cut cleanly and more energy is needed resulting in the product not mowing such a large area.



WARNING: The product must be turned off before any maintenance is done. The product is disabled when the indicator lamp on the **ON/OFF** button is not lit.



WARNING: Wear protective gloves.

5.2 Clean the product

It is important to keep the product clean. A product with large amounts of grass stuck to it will not cope as well with slopes. It is recommended to clean using a brush.

Husqvarna offers a special cleaning and maintenance kit as an accessory. Contact your Husqvarna central service.

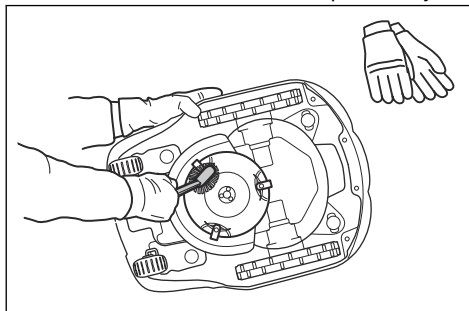


CAUTION: Never use a high-pressure washer to clean the product. Never use solvents for cleaning.

5.2.1 Chassis and blade disc

Inspect the blade disc and blades once a week.

1. Press the **STOP** button.
2. Press the **ON/OFF** button for 3 seconds to turn off the product.
3. Check that the indicator lamp on the **ON/OFF** button is not lit.
4. If the product is very dirty, clean it by using a dish brush or a garden hose. Do not use a high-pressure washer.
5. Lift the product onto its side.
6. Clean the blade disc and chassis using for example a dish brush. At the same time, check that the blade disc rotates freely in relation to the foot guard. Also, check that the blades are intact and can pivot freely.



5.2.2 Wheels

Clean around the front wheels and rear wheel as well as the rear wheel bracket. Grass on the wheels can impact on how the product performs in slopes.

5.2.3 Cover

Use a damp, soft sponge or cloth to clean the cover. If the cover is very dirty it may be necessary to use a soap solution or washing-up liquid.

5.2.4 Charging station

Clean the charging station regularly from grass, leaves, twigs and other objects that may impede docking.



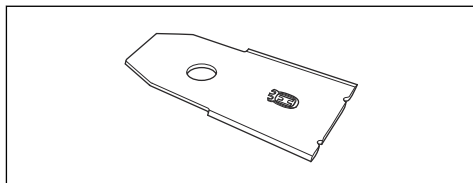
WARNING: Use the plug to disconnect the charging station before any maintenance, or cleaning of charging station or power supply.

5.3 Replace the blades



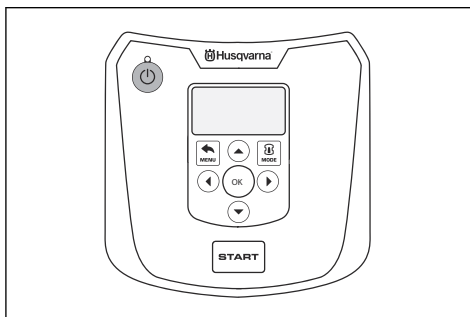
WARNING: Use blades and screws of the right type. Husqvarna can only guarantee safety when using original blades. Only replacing the blades and reusing the screw can result in a screw wearing during mowing. The blades can then be propelled from under the body and cause serious injury.

Replace worn or damaged parts for safety reasons. Even if the blades are intact, they should be replaced on a regular basis for the best mowing result and low energy usage. All 3 blades and screws must be replaced at the same time to obtain a balanced cutting system. Use Husqvarna original blades embossed with the crowned H-mark logotype, refer to *Warranty terms on page 48*.

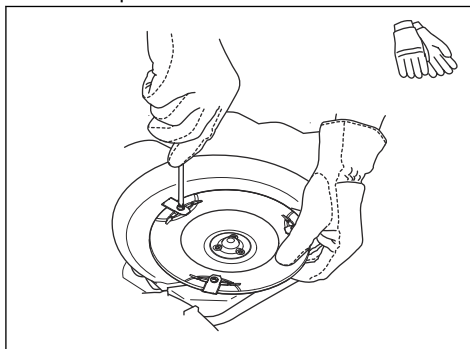


5.3.1 To replace the blades

1. Press the **STOP** button.
2. Open the hatch.
3. Press the **ON/OFF** button for 3 seconds to turn off the product.



4. Check that the indicator lamp on the **ON/OFF** button is not lit.
5. Turn the product upside down. Place the product on a soft and clean surface to avoid scratching the body and the hatch.
6. Remove the 3 screws. Use a straight slot or cross-tip screwdriver.



7. Remove each blade and screw.
8. Fasten new blades and screws.
9. Check that the blades can pivot freely.

5.4 Firmware update

If service is done by Husqvarna customer service then available firmware updates are downloaded to the product by the service technician. Owners of Husqvarna products can update the firmware if this is initiated by Husqvarna. Registered users are in that case notified.

5.5 Battery



WARNING: Only charge the product using a charging station which is intended for it. Incorrect use may result in electric shock, overheating or leakage of corrosive liquid from the battery. In the event of leakage of electrolyte flush with water and seek medical help if it comes in contact with the eyes etc.



WARNING: Use only original batteries recommended by the manufacturer. Product safety cannot be guaranteed with other batteries. Do not use non-rechargeable batteries.



CAUTION: The battery must be charged fully before winter storage. If the battery is not fully charged it can be damaged and in certain cases be rendered useless.

If the operating times for the product are shorter than normal between charges, this indicates that the battery is getting old and eventually needs replacing.

Note: Battery life is dependent on the length of the season and how many hours a day the product is operating. A long season or many hours of use a day means that the battery must be replaced more regularly. The battery is fine as long as the product maintains a well-cut lawn.

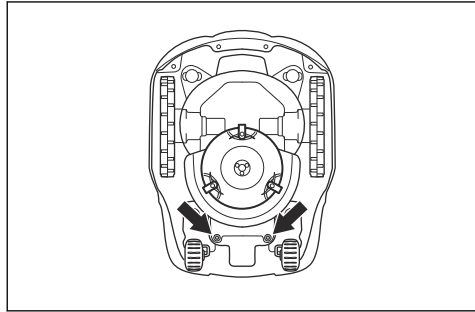
5.5.1 To replace the battery



WARNING: Use only original batteries recommended by the manufacturer. Product safety cannot be guaranteed with other batteries. Do not use non-rechargeable batteries. The appliance must be disconnected from the supply mains when removing the battery.

1. Press the **ON/OFF** button for 3 seconds to turn off the product. Check that the indicator lamp on the **ON/OFF** button is not lit.

2. Set the cutting height to MIN.
3. Turn the product upside down. Place the product on a soft and clean surface to avoid scratching the body and the display cover.
4. Clean around the battery cover.
5. Unscrew the screws to the battery cover (Torx 20) and remove the battery cover.

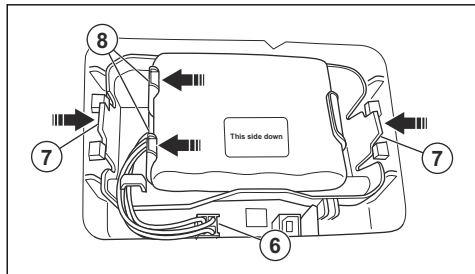


6. Release the latch of the connector and pull it upwards.



CAUTION: Do not pull the cables.

7. Release the latch of the battery holder and lift up the battery holder (including the battery) from the product. If the new battery is encapsulated in a hard plastic shell, go to number 10.



8. Release the latch of the battery and lift up the battery from the battery holder.
9. Place the new battery into the battery holder.

Note: The sticker "This side down" must be facing up when you place it into position. This means that "This side down" will be facing downwards when the product is standing on its wheels.

10. Place the battery holder (including the battery) back into place in the product.
11. Connect the cable
12. Fit the battery cover without clamping the cables. If the seal on the battery cover is visibly damaged, the entire battery cover must be replaced.
13. Carefully cross-tighten the 4 screws for the battery cover (Torx 20).

5.6 Winter service

Take your product to your local Husqvarna representative for service prior to winter storage. Regular winter service will maintain the product in good condition and create the best conditions for a new season without any disruptions.

Service usually includes the following:

- Thorough cleaning of the body, the chassis, the blade disc and all other moving parts.
- Testing of the products's function and components.
- Checking and, if required, replacing wear items such as blades and bearings.
- Testing the products's battery capacity as well as a recommendation to replace battery if necessary.
- If new firmware is available, the product is updated.

6 Troubleshooting

6.1 Introduction - troubleshooting

In this chapter, faults and symptoms are described and can guide you if the product does not operate as expected. More suggestions for steps to take in the event of malfunction or symptoms can be found on www.husqvarna.com.

6.2 Fault messages

Below a number of fault messages are listed which may be shown in the display of the product. Contact Husqvarna customer service if the same message appears often.

Message	Cause	Action
<i>Wheel motor blocked, left/right</i>	Grass or other object has wrapped around the drive wheel.	Check the drive wheel and remove the grass or other object.
<i>Cutting system blocked</i>	Grass or other object has wrapped around the blade disc.	Check the drive wheel and remove the grass or other object.
	The blade disc lies in a pool of water.	Move the product and prevent the collection of water in the work area.
<i>Trapped</i>	The product has got caught in something.	Free the product and rectify the reason for it becoming trapped.
	The product is stuck behind a number of obstacles.	Check if there are any obstacles which make it hard for the product to move on from this location.
<i>Outside working area</i>	The boundary wire connections to the charging station are crossed.	Check that the boundary wire is connected correctly.
	The boundary wire is too close to the edge of the work area.	Check that the boundary wire has been laid according to the instructions. Refer to <i>To install the boundary wire on page 19</i> .
	The work area slopes too much by the boundary loop.	
	The boundary wire is laid in the wrong direction around an island.	
	Disturbances from metal objects (fences, reinforcement steel) or buried cables close by.	Try moving the boundary wire.
	The product finds it hard to distinguish the signal from another product installation close by.	Place the product in the charging station and generate a new loop signal.

Message	Cause	Action
<i>Empty battery</i>	The product cannot find the charging station.	Check that the charging station and the guide wire are installed in accordance with the instructions. Refer to <i>To install the guide wire on page 19</i> .
	The guide wire is broken or not connected.	Find out where the break is and rectify it.
	The battery is spent.	Replace the battery. Refer to <i>Battery on page 32</i> .
	The charging station's antenna is defective.	Check if the indicator lamp in the charging station flashes red. Refer to <i>Indicator lamp in the charging station on page 39</i> .
<i>Wrong PIN code</i>	Wrong PIN code has been entered. Five attempts are permitted, and the keypad is then blocked for five minutes.	Enter the correct PIN code. Contact Husqvarna customer service if you forget the PIN code.
<i>No drive</i>	The product has got caught in something.	Free the product and rectify the reason for the lack of drive. If it is due to wet grass, wait until the lawn has dried before using the product.
	The work area includes a steep slope.	Steep slopes should be isolated. Refer to <i>To examine where to put the guide wire on page 18</i> .
	The guide wire is not laid at an angle on a slope.	If the guide wire is laid on a slope, it must be laid at an angle across the slope. Refer to <i>To examine where to put the guide wire on page 18</i> .
<i>Wheel motor overloaded, right/left</i>	The product has got caught in something.	Free the product and rectify the reason for the lack of drive. If it is due to wet grass, wait until the lawn has dried before using the product.
<i>Charging station blocked</i>	The contact between the charging strips and contact strips may be poor and the product has made a number of attempts to charge.	Put the product in the charging station and check that the charging strips and contact strips make good contact.
	An object is obstructing the product.	Remove the object.
	The charging station is tilted or bent.	Confirm that the charging station is placed on a fully flat and horizontal ground. The charging station must not be tilted or bent.
<i>Stuck in charging station</i>	There is an object in the way of the product preventing it from leaving the charging station.	Remove the object.

Message	Cause	Action
<i>Upside down</i>	The product is leaning too much or has turned over.	Turn the product the right way up.
<i>Needs manual charging</i>	The product is set to the <i>Secondary area</i> operating mode.	Place the product in the charging station. This behavior is normal and no action is required.
<i>Next start hh:mm</i>	The timer setting prevents the product from operating.	Change the timer settings. Refer to <i>To do the schedule settings on page 21</i> .
	The rest period is in progress. The product has an inbuilt standby period according to the Standby time table.	This behavior is normal and no action is required.
	The clock on the product is not correct.	Set the time. Refer to <i>To set the time & date on page 25</i> .
<i>Today's mowing completed</i>	The rest period is in progress. The product has an inbuilt standby period according to the Standby time table.	This behavior is normal and no action is required.
<i>Lifted</i>	The lift sensor has been activated as the product has become trapped.	Free the product.
<i>Wheel drive problem, right/left</i>	Grass or other object is wrapped around the drive wheel.	Clean the wheels and around the wheels.
<i>Safety function faulty</i>	Temporary electronic or firmware related issue in the product.	Restart the product.
<i>Electronic problem</i>		If the problem remains, the message requires action by authorized service technician.
<i>Loop sensor problem, front/rear</i>		
<i>Charging system problem</i>		
<i>Tilt sensor problem</i>		
<i>Temporary problem</i>		
<i>Temporary battery problem</i>	Temporary battery or firmware related issue in the product.	Restart the product.
<i>Battery problem</i>		Disconnect and reconnect the battery.
		If the problem remains, the message requires action by authorized service technician.
<i>Charging current too high</i>	Wrong or faulty power supply unit.	Restart the product.
		If the problem remains, the message requires action by authorized service technician.

Message	Cause	Action
<i>No loop signal</i>	The power supply is not connected.	Check the wall socket connection and whether an earth-fault breaker has tripped or not. Check that the low voltage cable is connected to the charging station.
	The low voltage cable is damaged or not connected.	Check that the low voltage cable is not damaged. Check that it is also properly connected to the charging station and to the power supply.
	The boundary wire is not connected to the charging station.	Check that the boundary wire connectors are fitted properly to the charging station. Replace connectors if damaged. Refer to <i>To install the boundary wire on page 19</i> .
	Boundary wire broken.	Find out where the break is. Replace the damaged section of the loop with a new loop wire and splice using an original coupler. Refer to <i>Find breaks in the loop wire on page 41</i> .
	<i>ECO mode</i> is activated and the product has attempted to start outside the charging station.	Place the product in the charging station and press the STOP button. Refer to <i>ECO mode on page 25</i> .
	The boundary wire is crossed on its way to and from an island.	Check that the boundary wire is laid according to instructions, e.g. in the right direction around the island. Refer to <i>To install the boundary wire on page 19</i> .
	The connection between the product and the charging station has been broken.	Place the product in the charging station and generate a new loop signal.
	Disturbances from metal objects (fences, reinforcement steel) or buried cables close by.	Try moving the boundary wire.

6.3 Information messages

Below a number of information messages are listed which may be shown in the display of the product. Contact Husqvarna customer service if the same message appears often.

Message	Cause	Action
<i>Low battery</i>	The product cannot find the charging station.	Check that the charging station and the guide wire are installed in accordance with the instructions. Refer to <i>To install the guide wire on page 19</i> .
	The guide wire is broken or not connected.	Find out where the break is and rectify it.
	The battery is spent.	Replace the battery. Refer to <i>Battery on page 32</i> .
	The charging station's antenna is defective.	Check if the indicator lamp in the charging station flashes red. Refer to <i>Indicator lamp in the charging station on page 39</i> .
<i>Settings restored</i>	Confirmation that a <i>Reset all user settings</i> has been carried out.	This is normal. No action required.
<i>Guide not found</i>	The guide wire is not connected to the charging station.	Check that the guide wire connector is tightly connected to the charging station. Refer to <i>To install the guide wire on page 19</i> .
	Break in the guide wire.	Find out where the break is. Replace the damaged section of the guide wire with a new loop wire and splice using an original coupler.
	The guide wire is not connected to the boundary loop.	Check that the guide wire is connected correctly to the boundary loop. Refer to <i>To install the guide wire on page 19</i> .
<i>Guide calibration failed</i>	The product has failed to calibrate the guide wire.	Check that the guide wire is installed according to the instructions. Refer to <i>To install the guide wire on page 19</i> . Also, check that the minimum distance to the left of the guide wire is met. Refer to <i>To examine where to put the guide wire on page 18</i> .
<i>Guide calibration accomplished</i>	The product has succeeded to calibrate the guide wire.	No action required.

6.4 Indicator lamp in the charging station

For a fully functional installation, the indicator lamp in the charging station must emit a solid or flashing green light. If something else appears, follow the troubleshooting guide below.

There is more help on www.husqvarna.com. If you still need help, please contact Husqvarna customer service.

Light	Cause	Action
<i>Solid green light</i>	Good signals	No action required
<i>Green flashing light</i>	The signals are good and <i>ECO mode</i> is activated.	No action required. For more information on <i>ECO mode</i> . Refer to <i>ECO mode on page 25</i> .
<i>Blue flashing light</i>	The boundary loop is not connected to the charging station.	Check that the boundary wire connectors are fitted properly to the charging station. Refer to <i>To install the guide wire on page 19</i> .
	Break in the boundary loop.	Find out where the break is. Replace the damaged section of the loop with a new loop wire and splice using an original coupler.
<i>Yellow flashing light</i>	The guide wire is not connected to the charging station.	Check that the guide wire connector is properly connected to the charging station. Refer to <i>To install the guide wire on page 19</i>
	Break in the guide wire.	Find out where the break is. Replace the damaged section of the guide wire with a new loop wire and splice using an original coupler.
<i>Red flashing light</i>	Interruption in the charging station's antenna.	Contact Husqvarna customer service.
<i>Solid red light</i>	Fault in the circuit board or incorrect power supply in the charging station. The fault should be rectified by an authorized service technician.	Contact Husqvarna customer service.

6.5 Symptoms

If your product does not work as expected, follow the symptoms guide below.

There is a FAQ (Frequently Asked Questions) on www.husqvarna.com which provides more detailed answers to a number of standard questions. Contact Husqvarna customer service if you still cannot find the reason for the fault.

Symptoms	Cause	Action
The product has difficulty docking.	The guide wire is not laid in a long straight line that is far enough out from the charging station.	Check that the charging station has been installed according to the instructions in <i>To install the charging station on page 19</i>
	The guide wire is not inserted in the slot under the charging station.	It is absolutely critical for operation that the guide wire is perfectly straight and is in the correct position under the charging station. Therefore make sure that the guide wire is always in its slot in the charging station. Refer to <i>To install the guide wire on page 19</i> .
	The charging station is on a slope.	Place the charging station on a surface that is entirely level. Refer to <i>To examine where to put the charging station on page 14</i> .
The product runs at the wrong time	The product clock needs to be set.	Set the clock. Refer to <i>To set the time & date on page 25</i> .
	The start and stop times for mowing are incorrect.	Reset the start time and stop time settings for mowing. Refer to <i>To reset the schedule setting on page 22</i> .
The product vibrates.	Damaged blades lead to imbalance in the cutting system.	Inspect the blades and screws and replace them if necessary. Refer to <i>To replace the blades on page 31</i> .
	Too many blades in the same position lead to imbalance in the cutting system.	Check that only one blade is fitted at each screw.
	Different versions (thickness) of Husqvarna blades are used.	Check if the blades are of different versions.
The product runs, but the blade disc does not rotate.	The product searches for the charging station, or is driving to the starting point.	No action. The blade disc does not rotate when the product is searching for the charging station.
The product mows for shorter periods than usual between charges.	Grass or other foreign object blocks the blade disc.	Remove and clean the blade disc. Refer to <i>Clean the product on page 30</i> .
	The battery is spent.	Replace the battery. Refer to <i>Battery on page 32</i> .

Symptoms	Cause	Action
Both the mowing and charging times are shorter than usual.	The battery is spent.	Replace the battery. Refer to <i>Battery on page 32</i> .
The product is parked for hours in the charging station.	The product has an inbuilt standby period according to the Standby time table. Refer to <i>To set the schedule on page 22</i> .	No action.
	The STOP button has been activated.	Open the hatch, enter the PIN code and confirm with the OK button. Press the Start button and then close the hatch.
Uneven mowing results.	The product works too few hours per day.	Increase the mowing time. Refer to <i>To calculate the schedule setting on page 22</i> .
	The shape of the work area requires the use of <i>Area 1-3</i> for the product to find its way to all remote areas.	Steer the product to a remote area. Refer to <i>To set the Lawn Coverage function on page 23</i> .
	The <i>How often?</i> setting is incorrect in relation to the layout of the work area.	Check that the correct <i>How often?</i> value is selected.
	Work area too large.	Try limiting the work area or extending the work time. Refer to <i>To set the schedule on page 22</i> .
	Dull blades.	Replace all the blades. Refer to <i>To replace the blades on page 31</i> .
	Long grass in relation to the set cutting height.	Increase the cutting height and then successively lower it.
	Accumulation of grass by the blade disc or around the motor shaft.	Check that the blade disc rotates freely and easily. If not, screw off the blade disc and remove grass and foreign objects. Refer to <i>Clean the product on page 30</i> .

6.6 Find breaks in the loop wire

Breaks in the loop wire are usually the result of unintentional physical damage to the wire such as when gardening with a shovel. In countries with ground frost, also sharp stones that move in the ground can damage the wire. Breaks can also occur due to the wire being stretched excessively during installation.

Mowing the grass too low right after the installation can damage wire insulation. Damage to the insulation may not cause disruptions until several weeks or months later. To avoid this,

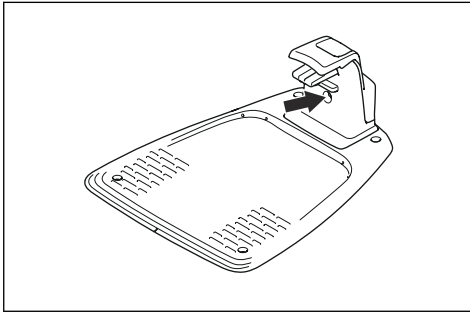
always select the maximum cutting height the first weeks after installation and then lower the height one step at a time every second week until the desired cutting height has been reached.

A defective splicing of the loop wire can also lead to disruptions several weeks after the splice was done. A faulty splice can, for example, be the result of the original coupler not being pressed together hard enough with a pair of pliers, or that a coupler of lower quality than the original coupler has been used. Please first check all known splices before further troubleshooting is done.

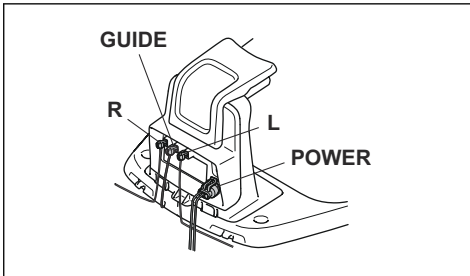
A wire break can be located by gradually halving the distance of the loop where the break may have occurred until there is only a very short section of the wire left.

The following method does not work if *ECO mode* is activated. Make sure first that *ECO mode* is turned off. Refer to *ECO mode on page 25*.

1. Check that the indicator lamp in the charging station flashes blue, which indicates a break in the boundary loop. Refer to *Indicator lamp in the charging station on page 39*.



2. Check that the boundary wire connections to the charging station are properly connected and not damaged. Check that the indicator lamp in the charging station is still flashing blue.

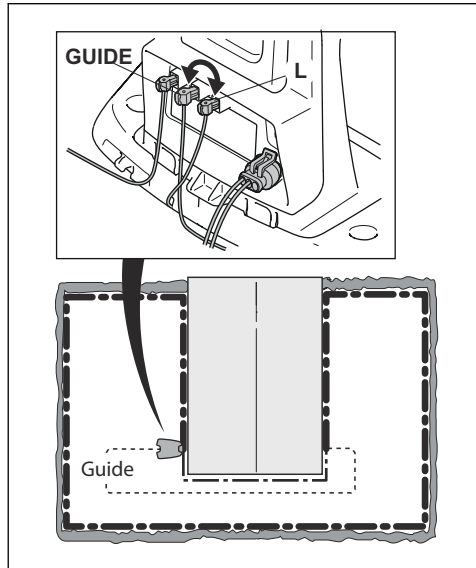


3. Switch the connections between the guide wire and the boundary wire in the charging station.

Start by switching connection L and GUIDE.

If the indicator lamp is lit with a solid green light, then the break is somewhere on the boundary wire between L and the point where the guide wire is connected to the

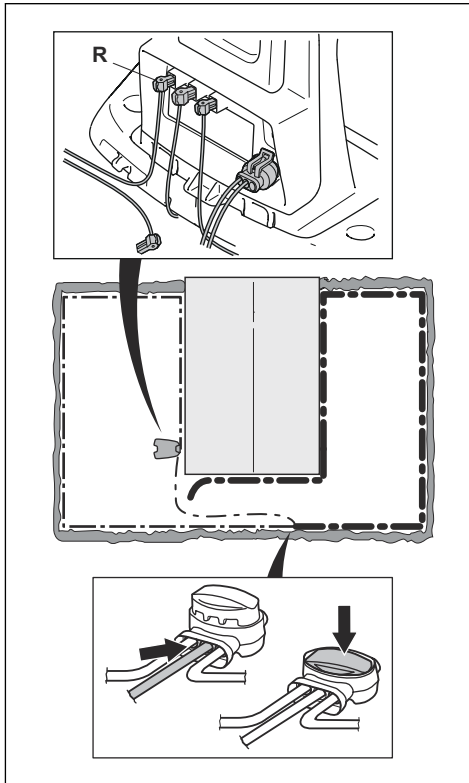
boundary wire (thick black line in the illustration).



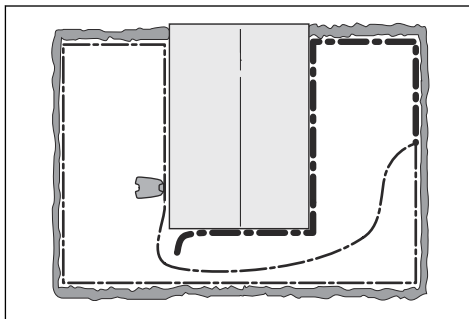
To rectify the fault you will need boundary wire, connector(s) and coupler(s):

a) If the suspected boundary wire is short then it is easiest to exchange all of the boundary wire between L and the point where the guide wire is connected to the boundary wire (thick black line).

b) If the suspected boundary wire is long (thick black line) then do as follows: Put L and GUIDE back to their original positions. Then disconnect R. Connect a new loop wire to R. Connect the other end of this new loop wire at the middle of the suspected wire section.

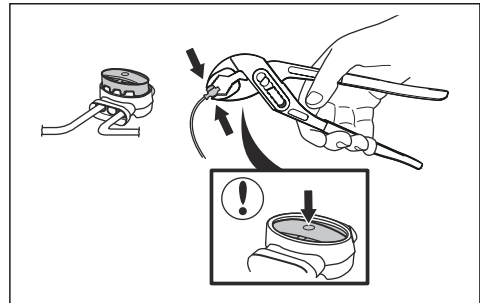


If the indicator lamp now is green, then the break is somewhere in the wire between the disconnected end to the point where the new wire is connected (thick black line below). In that case, move the connection for the new wire closer to the disconnected end (roughly at the middle of the suspected wire section) and check again if the indicator lamp is green.



Continue until only a very short section of the wire remains which is the difference between a solid green light and a flashing blue light. Then follow instruction in step 5 below.

4. If indicator lamp still flashes blue in step 3 above: Put L and GUIDE back in their original positions. Then switch R and GUIDE. If indicator lamp now is lit with a solid green light then disconnect L and connect a new boundary wire to L. Connect the other end of this new wire at the middle of the suspected wire section. Follow the same approach as in 3a) and 3b) above.
5. When the break is found, the damaged section must be replaced with a new wire. Always use original couplers.



7 Transportation, storage and disposal

7.1 Transportation

The supplied Li-ion batteries obey the Dangerous Goods Legislation requirements.

- Obey all applicable national regulations.
- Obey the special requirement on package and labels for commercial transportations, including by third parties and forwarding agents.

7.2 Storage

- Fully charge the product. Refer to *To charge the battery on page 29*.
- Disconnect the product with the **ON/OFF** button. Refer to *The ON/OFF button on page 27*.
- Clean the product. Refer to *Clean the product on page 30*.
- Keep the product in a dry, frost free space.
- Keep the product with all wheels on level ground during storage, or use a Husqvarna wall hanger.
- If you keep the charging station indoors, disconnect and remove the power supply and all the connectors from the charging station. Put the end of each connector wire in a container with grease.

Note: If you keep the charging station outdoors, do not disconnect the power supply and the connectors.

7.3 Disposal

- Obey the local recycling requirements and applicable regulations.
- For questions about how to remove the battery, refer to *To replace the battery on page 32*.

8 Technical data

8.1 Technical data

Data	115H
Dimensions	
Length, cm / in.	59 / 23
Width, cm / in.	45 / 18
Height, cm / in.	27 / 11
Weight, kg / lbs	9.4 / 20.7
Electrical system	
Battery, Lithium-Ion 18 V/2.1 Ah Art.No	584 85 28-01, 584 85 28-02
Battery, Lithium-Ion 18 V/2.0 Ah Art.No	590 21 42-02
Battery, Lithium-Ion 18.25 V/2.0 Ah Art.No	590 21 42-03
Power supply, V/28 V DC	100-240
Low voltage cable length, m / ft	5 / 16.5
Mean energy consumption at maximum use	8 kWh/month in a 1600 m ² / 1900 yd ² work area
Charge current, A DC	1.3
Average mowing time, min	60
Average charging time, min	60
Boundary wire antenna	
Operating Frequency Band, Hz	300-80000
Maximum Radio-frequency power, mW @60m ¹	<25

¹ Maximum active output power to antennas in the frequency band in which the radio equipment operates.

Noise emissions measured in the environment as sound power²	115H
Measured sound power noise level, dB (A)	56
Guaranteed sound power noise level, dB (A)	59
Sound pressure noise level at the operator's ear, dB (A) ³	45

The noise emission declarations conforms to EN 50636-2-107:2015

Mowing	115H
Cutting system	3 pivoted cutting blades
Blade motor speed, rpm	2500
Power consumption during cutting, W +/- 20 %	20
Cutting height, cm / in.	5-9 / 2-3.6
Cutting width, cm / in.	22 / 8.6
Narrowest possible passage, cm / in.	60 / 23.6
Maximum slope for work area, %	30
Maximum slope for boundary wire, %	15
Maximum length boundary wire, m / ft.	500 / 1640
Maximum length guide loop, m / ft.	250 / 820

IP-classification	115H
Product	IPX5
Charging station	IPX5
Power supply	IPX4

Bluetooth®	115H
Operating frequency band, MHz	2400 - 2484
Maximum transmitted power, dBm	8

Husqvarna AB does not guarantee full compatibility between the product and other types of wireless systems such as remote controls, radio transmitters, hearing loops, underground electric animal fencing or similar.

² Noise emissions in the environment measured as sound power (L_{WA}) in conformity with EC directive 2000/14/EC and New South Wales legislation (Protection of the Environment Operations Regulation 2017, Noise Control). The guaranteed sound power level includes variation in production as well as variation from the test code with 1-3 dB(A). Noise emission data can be found on the rating label and in the Technical data chapter.

³ Sound pressure noise uncertainties K_{pA} , 2-4 dB (A)

The products are made in England or the Czech Republic. See information on the rating plate. Refer to *Introduction on page 3*.

8.2 Registered trademarks

The *Bluetooth*[®] word mark and logos are registered trademarks owned by *Bluetooth SIG, inc.* and any use of such marks by Husqvarna is under license.

9 Warranty

9.1 Warranty terms

Husqvarna® warranty covers this product's functionality for a period of 2 years from date of purchase. The warranty covers serious faults relating to materials or manufacturing faults. Within the warranty period, we will replace the product or repair it at no charge if the following terms are met:

- The product and the charging station may only be used in compliance with the instructions in this Operator's Manual. This manufacturer's warranty does not affect warranty entitlements against the dealer/retailer.
- End-users or non-authorized third parties must not attempt to repair the product.

Examples of faults which are not included in the warranty:

- Damage caused by water seepage from using a high-pressure washer, or from being submerged under water, for example when heavy rain forms pools of water.
- Damage caused by lightning.
- Damage caused by improper battery storage or battery handling.
- Damage caused by using a battery that is not a Husqvarna original battery.
- Damage caused by not using Husqvarna original spare parts and accessories, such as blades and installation material.
- Damage to the loop wire.
- Damage caused by non-authorized changing or tampering with the product or its power supply.

The blades and wheels are seen as disposable and are not covered by the warranty.

If an error occurs with your Husqvarna product, please contact Husqvarna customer service for further instructions. Please have the receipt and the product's serial number at hand when contacting Husqvarna customer service.

10 Applicable to US/CA market

10.1 Supplier's Declaration of Conformity

Issuer: Husqvarna AB, Drottninggatan 2, S-561 82 Huskvarna, Sweden
www.husqvarnagroup.com.

Responsible party: Husqvarna Professional Products, Inc. 9335 Harris Corners Parkway Suite 500 Charlotte, NC 28269 United States U.S. Contact information: James McNew, Manager Product Compliance, Telephone: +1 704 597 5000.

10.2 Compliance requirements

FCC ID: ZASHQ-BLE-1A (the Bluetooth® module).

The Bluetooth® module is located on the HMIboard (PCBA) in the upper chassis. It must only be accessed by an authorized service technician.

The device complies with part 15 of the FCC Rules. Operation is subjected to the following 2 conditions:

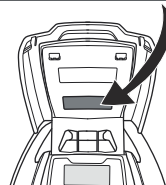
1. This device may not cause harmful interference.
2. This device must accept any interference received, including interference that may cause undesired operation.



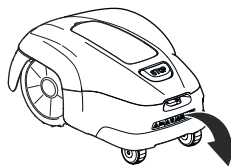
WARNING: To comply with RF exposure requirements, please maintain a separation distance of at least 20 cm/ 7 inches from any part of the product.

Models with a hatch: The supplied label shall be attached to the product according to figure below.

This device contains the module
FCC ID: XXX1YYYY2ZZZ



Models without a hatch: The supplied label shall be attached to the product according to figure below



This device contains the module
FCC ID: XXX1YYYY2ZZZ

Note: Changes or modifications made to this equipment not expressly approved by Husqvarna may void the FCC authorization to operate this equipment.

Note: This device complies with Part 15 of the FCC Rules [and with Industry Canada licenceexempt RSS standard(s)]. Operation is subject to the following two conditions: this device may not cause harmful interference, and this device must accept any interference received, including interference that may cause undesired operation.

Note: This equipment has been tested and found to comply with the limits for a Class B digital device, pursuant to part 15 of the FCC Rules. These limits are designed to provide reasonable protection against harmful interference in a residential installation. This equipment generates, uses and can radiate radio frequency energy and, if not installed and used in accordance with the instructions, may cause harmful interference to radio communications. However, there is no guarantee that interference will not occur in a particular installation. If this equipment does cause harmful interference to radio or television reception, which can be determined by turning the equipment off and on, the user is encouraged to try to correct the interference by one or more of the following measures:

- Reorient or relocate the receiving antenna.
- Increase the separation between the equipment and receiver.
- Connect the equipment into an outlet on a circuit different from that to which the receiver is connected.
- Consult the dealer or an experienced radio/TV technician for help.



WARNING: Cancer and Reproductive Harm - www.P65Warnings.ca.gov



Husqvarna[®]

AUTOMOWER[®] is a trademark owned by Husqvarna AB.
Copyright[®] 2019 HUSQVARNA. All rights reserved.

www.husqvarna.com

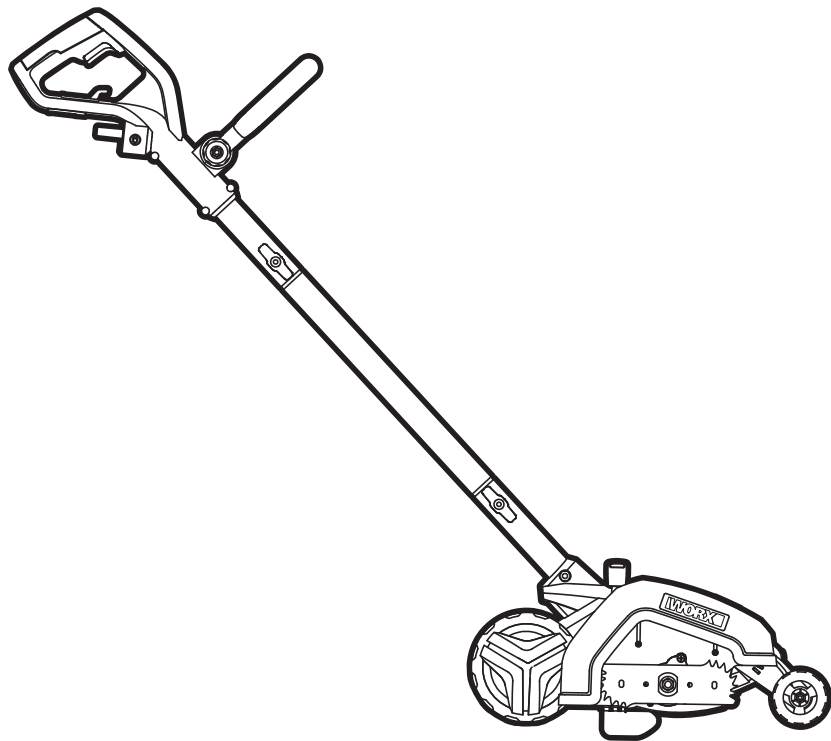
Original instructions

1140739-95



2019-05-16

WORX®



12AMP 2-in-1 Lawn Edger/Trencher

EN P06

Coupe-bordure/ tailleur de tranchées deux-en-un de 12A

F P12

Bordeadora/zanjadora de jardín 2 en 1 de 12AMP

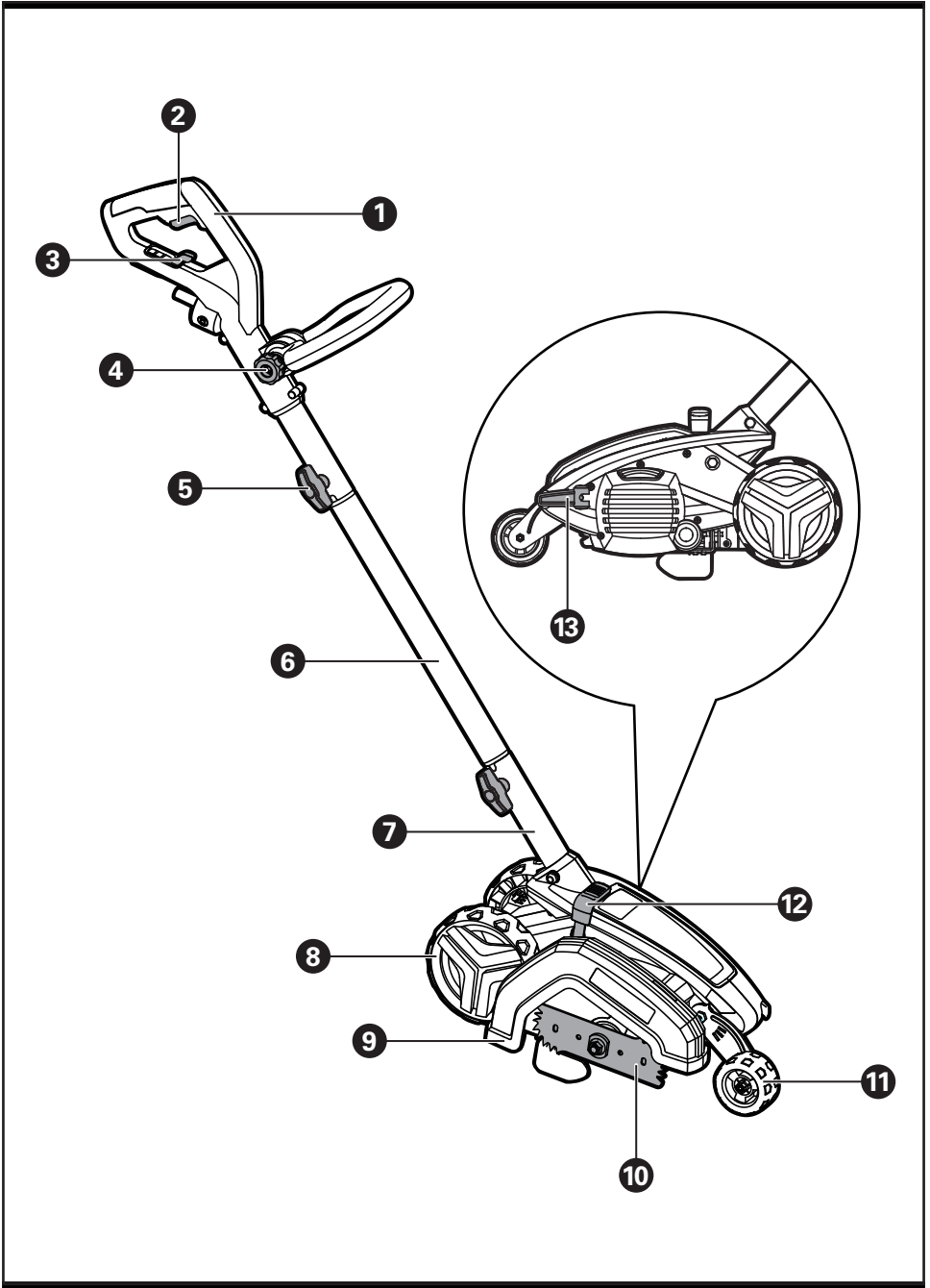
ES P19

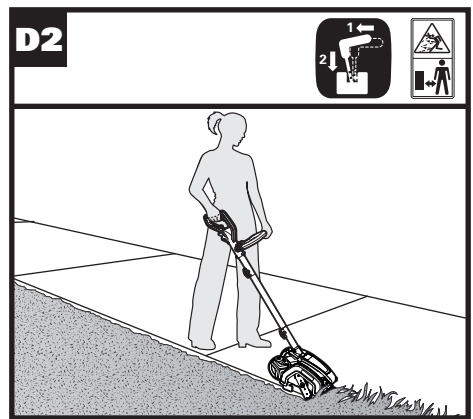
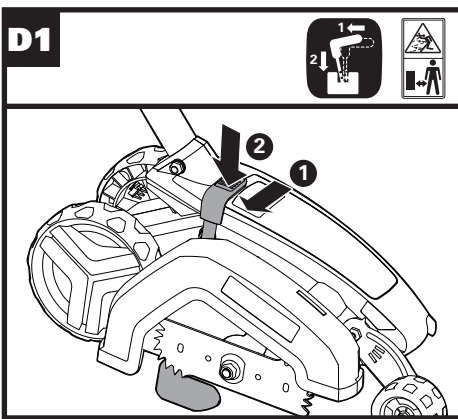
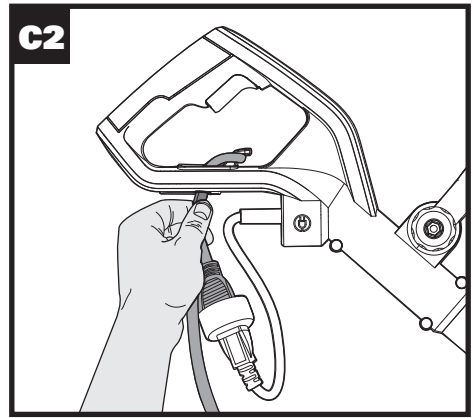
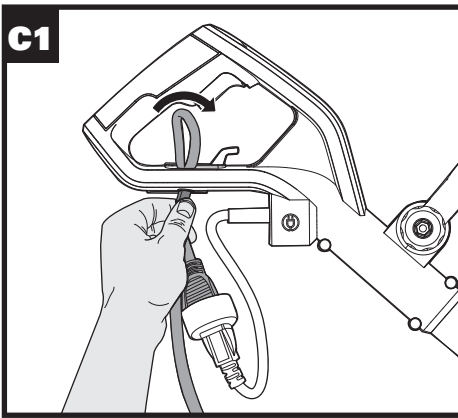
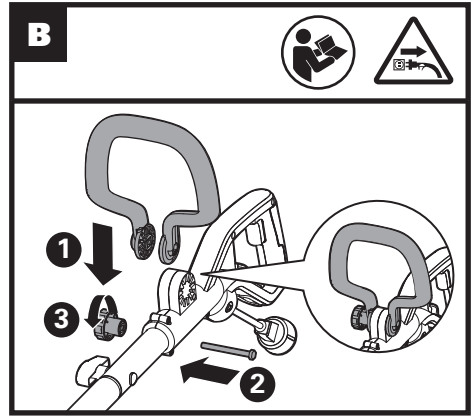
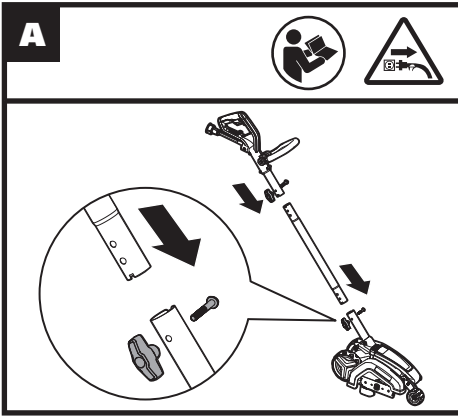


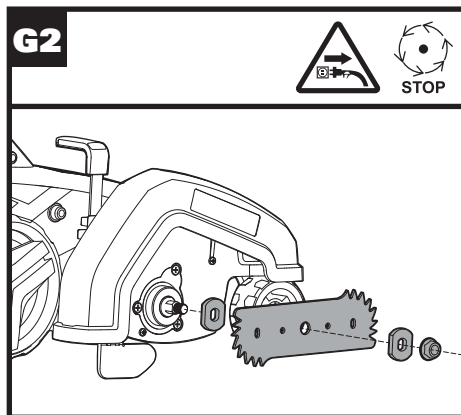
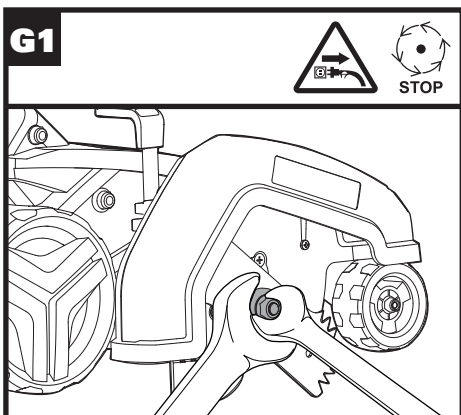
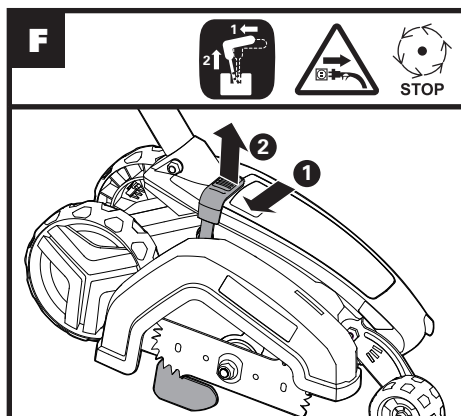
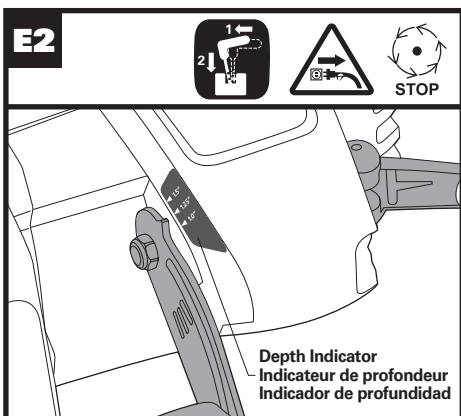
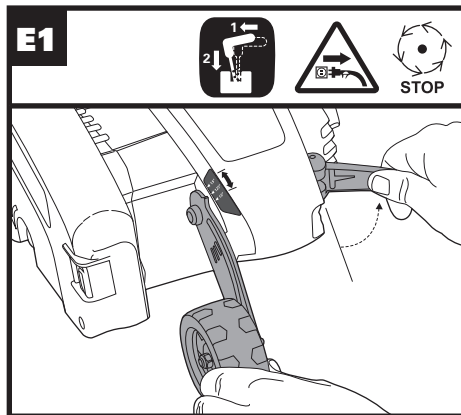
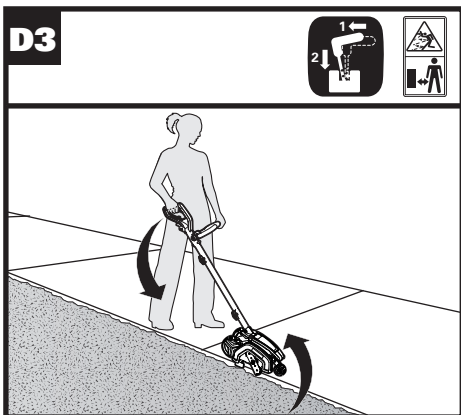
**HELPLINE NUMBER
NUMERO DU SERVICE D'ASSISTANCE
NUMERO DE LINEA DE AYUDA
1-866-354-WORX (9679)**

WG896









- 1. AUXILIARY HANDLE**
- 2. ON/OFF SWITCH**
- 3. EXTENSION CORD RETAINER**
- 4. HANDLE ADJUSTMENT KNOB**
- 5. LOCKING KNOB**
- 6. UPPER SHAFT**
- 7. LOWER SHAFT**
- 8. REAR WHEEL**
- 9. BLADE GUARD**
- 10. BLADE**
- 11. FRONT WHEEL**
- 12. EDGE GUIDE KNOB**
- 13. CUT DEPTH KNOB**

TECHNICAL DATA

6	Rated Voltage	120V~60Hz
	Rated Power	12A
	Rated No-load speed	4700/min
	Protection class	 /II
	Blade diameter	7-1/2"
	Blade cutting depth	1"; 1-1/4"; 1-1/2"
	Machine weight	14 lbs


ACCESSORIES

7-1/2" Blade (WA0034)


1

We recommend that you purchase your accessories from the same store that sold you the tool. Use good quality accessories marked with a well-known brand name. Choose the type according to the work you intend to undertake. Refer to the accessory packaging for further details. Store personnel can assist you and offer advice.

IMPORTANT SAFETY INSTRUCTIONS

 **WARNING:** When using electric gardening appliances, basic safety precautions should always be followed to reduce the risk of fire, electric shock, and personal injury, including the following:


 **WARNING: Read all instructions**

 **WARNING: Some dust created by power sanding, sawing, grinding, drilling and other construction activities contains chemicals known to the state of California to cause cancer, birth defects or other reproductive harm.**

Some examples of these chemicals are:

- Lead from lead-based paints;
- Crystalline silica from bricks and cement and other masonry products
- Arsenic and chromium from chemically-treated lumber.

Your risk from these exposures varies, depending on how often you do this type of work. To reduce your exposure to these chemical: work in a well ventilated area, and work with approved safety equipment, such as those dust masks that are specially designed to filter out microscopic particles.


 **WARNING: This product maybe contains lead, phthalate or other chemicals known to the State of California to cause cancer, birth defects and other reproductive harm. Please wash your hands after use.**

FOR ALL APPLIANCES

- 1) Avoid Dangerous Environment** - Don't use appliances in damp or wet locations.
- 2) Don't Use In Rain.**
- 3) Keep Children Away** - All visitors should be kept at a distance from work area.
- 4) Dress Properly** - Do not wear loose clothing or jewelry. They can be caught in moving parts. Use of rubber

gloves and substantial footwear is recommended when working outdoors.

Wear protective hair covering to contain long hair.

- 5) Use Safety Glasses** - Always use face or dust mask if operation is dusty.
- 6) Use Right Appliance** - Do not use appliance for any job except that for which it is intended.
- 7) Ground Fault Circuit Interrupter (GFCI) protection should be provided on the circuit(s) or outlet(s) to be used for the gardening appliance.** Receptacles are available having built-in GFCI protection and may be used for this measure of safety.
- 8)  WARNING** -To reduce the risk of electric shock, use only with an extension cord intended for outdoor use, such as an extension cord of cord type SW-A, SOW-A, STW-A, STOW-A, SJW-A, SJOW-A, SJTW-A. or SJTOW-A.
- 9) Extension Cord** - Make sure your extension cord is in good condition. When using an extension cord, be sure to use one heavy enough to carry the current your product will draw. An undersized extension cord will cause a drop in line voltage resulting in loss of power and overheating. Table 1 shows the correct size to use depending on cord length and nameplate ampere rating. If in doubt, use the next heavier gage. The smaller the gage number, the heavier the cord. To reduce the risk of disconnection of appliance cord from the extension cord during operating:
 - i) Make a knot as shown in Figure 1; or
 - ii) Use one of the plug-receptacle retaining straps or connectors described in this manual.
- 10) Avoid Unintentional Starting** - Don't carry plugged-in appliance with finger on switch. Be sure switch is off when plugging in.
- 11) Don't Abuse Cord** - Never carry appliance by cord or yank it to disconnect from receptacle. Keep cord from heat, oil, and sharp edges.

12) Don't grasp the exposed cutting blades or cutting edges when picking up or holding the appliance.

13) Don't Force Appliance - It will do the job better and with less likelihood of a risk of injury at the rate for which it was designed.

14) Don't Overreach - Keep proper footing and balance at all times.

15) Stay Alert - Watch what you are doing. Use common sense. Do not operate appliance when you are tired.

16) Disconnect Appliance - Disconnect the appliance from the power supply when not in use, before servicing, when changing accessories such as blades, and the like.

17) Store Idle Appliances Indoors - When not in use, appliances should be stored indoors in dry, and high or locked-up place - out of reach of children.

18) Maintain Appliance With Care - Keep cutting edge sharp and clean for best performance and to reduce the risk of injury. Follow instructions for lubricating and changing accessories. Inspect appliance cord periodically, and if damaged, have it repaired by an authorized service facility. Inspect extension cords periodically and replace if damaged. Keep handles dry, clean, and free from oil and grease.

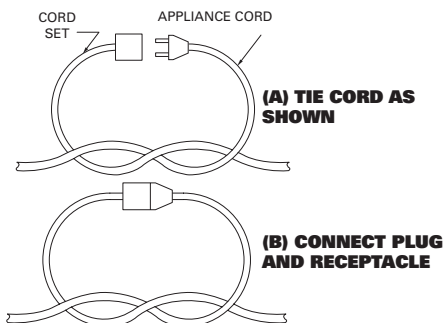
19) Check Damaged Parts - Before further use of the appliance, a guard or other part that is damaged should be carefully checked to determine that it will operate properly and perform its intended function. Check for alignment of moving parts, binding of moving parts, breakage of parts, mounting, and any other condition that may affect its operation. A guard or other part that is damaged should be properly repaired or replaced by an authorized service center unless indicated elsewhere in this manual.

SAVE THESE INSTRUCTIONS

Volts	Total length of cord in feet			
	25	50	100	150
120V	25	50	100	150
240V	50	100	200	300
Ampere rating more than not more than	AWG			
0-6	18	16	16	14
6-10	18	16	14	12
10-12	16	16	14	12
12-16	14	12	Not recommended	

NOTE: Only the applicable parts of the Table need to be included. For instance, a 120-volt product need not include the 240-volt heading.

Figure 1
Method of securing extension cord



FOR ALL DOUBLE-INSULATED APPLIANCES

1) Replacement Parts

When servicing use only identical replacement parts.

2) Polarized Appliance Connections

To reduce the risk of electric shock, this appliance has a polarized plug (one









blade is wider than the other) and will require the use of a polarized extension cord. The appliance plug will fit into a polarized extension cord only one way. If the plug does not fit fully into the extension cord, reverse the plug. If the plug still does not fit, obtain a correct polarized extension cord. A polarized extension cord will require the use of a polarized wall outlet. This plug will fit into the polarized wall outlet only one way. If the plug does not fit fully into the wall outlet, reverse the plug. If the plug still does not fit, contact a qualified electrician to install the proper wall outlet. Do not change the equipment plug, extension cord receptacle, or extension cord plug in any way.

SAVE THESE INSTRUCTIONS

ADDITIONAL SAFETY RULES FOR EDGER-TRIMMERS

1. Keep guards in place and in working order
2. Keep blades sharp.
3. Keep hands and feet away from cutting area.


SYMBOLS

	To reduce the risk of injury, user must read instruction manual
	Warning
	Double insulation
	Edging position
	Trenching position
	Before any work on the machine itself, pull the power plug from the outlet
	Blade continues to rotate after the machine is switched off. Wait until all machines components have completely stopped before touching them
	Keep bystanders away

ASSEMBLY & OPERATION

Action	Figure
Assembly	
Assembling the Shaft	See Fig. A
Assembling the Auxiliary Handle	See Fig. B
Attaching the Extension Cord	See Fig. C1 & C2
Operation	
Setting to the edging position	See Fig. D1
Edging	See Fig. D2 & D3
Adjusting cut depth	See Fig. E1 & E2
Setting to the trenching/landscaping position	See Fig. F
Trenching and landscaping operation	
Removing and attaching the blade	See Fig. G1 & G2

finding the edge of the paved surface and start edging. Then move tool forward slowly along edge of paved surface, keeping the edge guide pressed lightly against the pavement edge. For the first edging each season, it is best to move forward slowly because grass is thickest then. Subsequent edging will be completed more rapidly. If the tool slows down, back it up an inch or two until the blade comes up to normal speed. During edging some sparks may be generated from hitting stones. This is normal. Do not attempt to edge when the grass or soil is wet or moist—for electrical safety and to prevent clogging of the blade chamber. If you must edge under conditions that cause the blade chamber to become clogged, release trigger, wait for blade to come to complete stop! **UNPLUG TOOL!** open door and remove clogged material with a stick. To continue to operate the tool in a clogged condition will seriously overload the motor.

 **CAUTION: Do not attempt to unclog the blade chamber by dropping or tapping the tool on the ground. This can damage the unit. Keep hands clear of edge guide and blade when cleaning as these wear to a very sharp point during edging.**

OPERATION INSTRUCTION

NOTE: The edger is a major appliance and should not be operated simultaneously with other major appliances on the same household circuit.

 **WARNING: Make sure that other persons and pets are at least 100 feet away.**

EDGING

1. Before starting the edger, line up the tool so the edge guide rests against the edge of the paved surface. Both rear wheels should be on the paved surface when edging. (See Fig. D2)
2. To avoid kickback of edger, tilt the handle down so the blade is above the ground (See Fig. D3).
3. Turn switch ON and allow blade to spin without moving tool.
4. Slowly lift the handle to lower the blade,

TRENCHING AND LANDSCAPING OPERATION

The Edger can also be used for Trenching. The blade will leave a small trench for placing Wire underground.

Because of the direction of the Blade rotation the Edger can kickback towards the operator if it hits an obstruction such as thick, matted grass. Keep a firm grasp on the Handle, especially when trenching in thick, matted material.

The Edger can be used in Landscaping applications, including cutting along the edges of flower and shrubbery beds, around trees, and cutting in preparation for sod removal. Before trenching, inspect and ensure there are no exposed or buried cables, pipes or other objects that may create a hazard or interfere

with operating the Edger.
Set depth to only that required for the job.

REMOVING AND ATTACHING THE BLADE

The blade, two spacers and hex head nut with conical washer should be attached to your Edger in the order shown. Check that the blade has been properly mounted before using your Edger.

The Edger Blade has two wear indicators that show when the original blade needs to be replaced. When the blade wears to the small holes, it should be replaced. (See Fig. G1 & G2)

STORAGE

 **WARNING! Be sure the tool is unplugged.**

Remove and clean any debris from the outside of the edger and inside of guard before storage. See **MAINTENANCE** section. If necessary, the edger may be stored by hanging on a hook by its handle.

 **CAUTION: DO NOT HANG EDGER ON THE SWITCH TRIGGER OR POWER CORD!**

NOTE: Do not store the tool on or adjacent to fertilizers or chemicals. Such storage can cause rapid corrosion.


MAINTENANCE

Use only mild soap and damp cloth to clean the tool. Never let any liquid get inside the tool; never immerse any part of the tool into a liquid.

IMPORTANT: To assure product SAFETY and RELIABILITY, repairs, maintenance and adjustment should be performed by authorized service centers or other qualified service organizations. Use only identical replacement parts. Inspect and thoroughly clean your edger at the beginning of each edging season for longer life and better performance.

- 1. POIGNÉE AUXILIAIRE**
- 2. INTERRUPTEUR MARCHE/ARRÊT**
- 3. SUPPORT DE RALLONGE**
- 4. BOUTON DE RÉGLAGE DE LA POIGNÉE**
- 5. BOUTON DE VERROUILLAGE**
- 6. PARTIE SUPÉRIEURE DU MANCHE**
- 7. PARTIE INFÉRIEURE DU MANCHE**
- 8. ROUE ARRIÈRE**
- 9. PROTECTION DE LA LAME**
- 10. LAME**
- 11. ROUE AVANT**
- 12. BOUTON DU GUIDE DE LA BORDURE**
- 13. BOUTON DE PROFONDEUR DE COUPE**

DONNÉES TECHNIQUES

12 Tension	120V~60Hz
Ampérage nominal	12A
Vitesse à vide	4700/min
Double isolation	 /II
Diamètre de la lame	190mm(7-1/2po)
Profondeur de coupe de la lame	25mm,32mm,38mm(1po, 1-1/4po, 1-1/2po)
Poids de la machine	6.3kg(14 lbs)

ACCESSOIRES

190mm(7-1/2po) Lame (WA0034)

1

Nous vous recommandons d'acheter tous vos accessoires du même magasin qui vous a vendu l'outil. N'utilisez que des accessoires de bonne qualité de marque renommée. Choisissez le type d'outil approprié au travail que vous désirez entreprendre. Pour de plus amples renseignements, consultez l'emballage de l'accessoire. Le personnel du magasin peut également vous conseiller.

CONSIGNES DE SÉCURITÉ

AVERTISSEMENT! Lors de l'utilisation d'appareils électriques de jardinage, des précautions de base doivent être observées afin de réduire les risques de feu, choc électrique, et blessure grave, incluant ce qui suit:

AVERTISSEMENT ! LISEZ TOUTES LES INSTRUCTIONS

AVERTISSEMENT! Certaines des poussières produites en utilisant des outils électriques sont considérées par l'État de Californie comme susceptibles de provoquer le cancer, des anomalies congénitales et d'autres problèmes de reproduction. Voici des exemples de ces produits chimiques:

- Plomb issu de peinture à base de plomb
- Silice cristalline issue de briques et du ciment et autres produits de maçonnerie
- Arsenic et chrome issus de bois traité chimiquement

Votre risque de ces expositions varie en fonction de la fréquence à laquelle vous effectuez ce travail. Pour réduire votre exposition à ces produits chimiques : travaillez dans une zone bien ventilée; portez un équipement de sécurité approuvé, tel que des masques antipoussières spécialement conçus pour éliminer les particules microscopiques par filtrage.

AVERTISSEMENT: Ce produit peut contenir du plomb, des phtalates ou d'autres agents chimiques connus dans l'État de Californie pour causer le cancer, des malformations congénitales et d'autres problèmes liés à la reproduction. Lavez vos mains après chaque utilisation.

POUR TOUS LES APPAREILS

- 1) Évitez les environnements dangereux.** N'utilisez pas les appareils dans des environnements très humides ou mouillés.
- 2) N'utilisez pas sous la pluie.**
- 3) Tenez les enfants éloignés.** Tous les

visiteurs devraient se tenir éloignés de l'aire de travail.

- 4) Habillez-vous convenablement.** Ne portez pas des vêtements lâches ou des bijoux. Ils peuvent se prendre dans les pièces en mouvement. L'utilisation de gants de caoutchouc et chaussures épaisses est recommandée lors de travaux extérieurs. **Portez une protection pour cheveux afin de contenir les cheveux longs.**
- 5) Utilisez des lunettes de sécurité** Toujours porter un masque pour le visage ou pour la poussière si l'opération est poussiéreuse.
- 6) Utilisez le bon appareil.** N'utilisez pas l'appareil pour tout autre travail que pour celui auquel il est destiné.
- 7) Un disjoncteur différentiel devrait être utilisé sur le(s) circuit(s) et prise(s) murale(s) destinée(s) à l'appareil de jardinage.** Des prises de défaut à la terre sont disponibles et peuvent être utilisées également.
- 8) AVERTISSEMENT!** Afin de réduire le risque de choc électrique, utilisez seulement avec une rallonge électrique destinée à un usage extérieur, tel que les rallonges de types SW-A, SOW-A, STW-A, STOW-A, SJW-A, SJOW-A, SJTW-A. ou SJTOW-A.
- 9) Rallonge électrique!** Assurez-vous que votre rallonge électrique est en bon état. Lorsque vous utilisez une rallonge électrique, assurez-vous qu'elle puisse soutenir l'intensité du courant demandé par votre produit. Une rallonge électrique trop petite cause une baisse de la tension d'alimentation, entraînant une perte de puissance et une surchauffe. Le tableau 1 montre le calibre approprié en fonction de la longueur de la rallonge électrique et de l'ampérage indiqué sur la plaque signalétique. Dans le doute, utilisez le calibre supérieur. Plus le calibre est petit, plus la rallonge électrique est grosse. Afin de réduire le risque de déconnexion de l'appareil et de la rallonge électrique alors qu'il est en fonction :
i-1) Faites un nœud tel qu'illustré en Figure 1

i-2) Utilisez une courroie de retenue ou les connecteurs décrits dans ce manuel.

- 10) Évitez les démarrages non intentionnels.** Ne transportez pas les appareils alors qu'ils sont connectés et que vous avez le doigt sur le commutateur. Soyez certain que le commutateur est en position « OFF » lorsque connecté.
- 11) Ne soumettez pas le cordon d'alimentation électrique à des abus.** Ne transportez jamais l'appareil par le cordon d'alimentation électrique et ne tirez pas d'un coup sec pour le déconnecter. Tenez le cordon d'alimentation électrique éloigné de la chaleur, de l'huile, et des arêtes tranchantes.
- 12) Ne saisissez pas les lames de coupe exposées ou les arêtes de coupe lorsque vous soulevez ou tenez l'appareil.**
- 13) Ne forcez pas l'appareil.** Il fera un meilleur travail et sera moins dangereux en travaillant à la charge pour laquelle il est conçu.
- 14) N'essayez pas d'utiliser l'appareil hors de votre portée normale.** Gardez votre équilibre et les pieds bien ancrés au sol.
- 15) Restez alerte. Faites attention à ce que vous faites.** Utilisez votre bon sens. N'utilisez pas l'appareil lorsque vous êtes fatigué.
- 16) Déconnectez l'appareil.** Déconnectez l'appareil de l'alimentation électrique lorsqu'il n'est pas utilisé, avant d'en faire l'entretien, lors du changement d'accessoires tels que lames, et autres accessoires du même genre.
- 17) Entrez l'appareil à l'intérieur des appareils qui ne sont pas utilisés fréquemment.** Lorsqu'inutilisés, les appareils devraient être entreposés à l'intérieur dans un endroit sec, élevé et gardé sous clef, hors de la portée des enfants.
- 18) Entretenez les appareils avec soin. Gardez les arêtes de coupe aiguisées et propres pour une**

meilleure performance et risque réduit de blessure. Suivez les instructions pour lubrifier et changer les accessoires. Inspectez le cordon d'alimentation électrique de l'appareil périodiquement, et si endommagé, faites le réparer par un dépôt de service autorisé. Inspectez les cordons prolongateurs périodiquement et remplacez si endommagés. Gardez les poignées sèches, propres, et libres d'huile et de graisse.

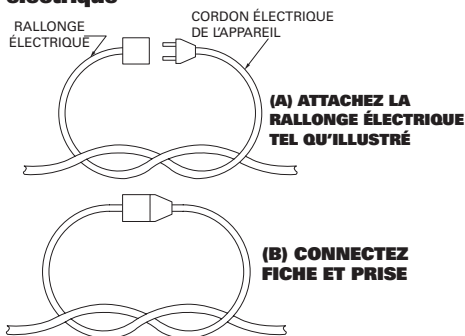
- 19) Vérifier les pièces endommagées.** Avant d'employer l'appareil, une garde ou autre pièce endommagée devrait être soigneusement vérifiée afin de déterminer qu'elle fonctionnera correctement et exécutera la fonction pour laquelle elle a été conçue. Vérifier l'alignement des parties mobiles, leur pincement, la brisure de pièces, montage, et toute autre condition qui peut affecter son opération. Une garde ou autre pièce endommagée devrait être correctement réparée ou remplacée par un centre de service autorisé à moins d'avis contraire ailleurs dans ce manuel.

GARDEZ CES INSTRUCTIONS

Tension électrique	Longueur totale de la rallonge électrique, en pieds			
120V	25	50	100	150
240V	50	100	200	300
Ampérage supporté (A)	AWG			
0-6	18	16	16	14
6-10	18	16	14	12
10-12	16	16	14	12
12-16	14	12	Déconseillé	

REMARQUE - Seuls les éléments applicables du tableau doivent être inclus. Par exemple, un produit de 120 Volts peut ne pas figurer dans la rubrique 240 Volts.

Figure 1
Méthode pour sécuriser la rallonge électrique



l'équipement, ou l'une des fiches de la rallonge électrique, de quelque façon que ce soit.

GARDEZ CES INSTRUCTIONS

RÈGLES DE SÉCURITÉ SUPPLÉMENTAIRES POUR TONDEUSES COUPE-BORDURES

1. Gardez les carters en place et en bon état de fonctionnement.
2. Gardez les lames aiguisées.
3. Gardez les mains et les pieds éloignés de la zone de coupe.

POUR TOUS LES APPAREILS ÉLECTRIQUES À DOUBLE ISOLATION









1) Pièces de remplacement

Lors de l'entretien de l'appareil, n'utilisez que des pièces identiques de remplacement.

2) Connexions polarisées des appareils électriques

Afin de réduire le risque de choc électrique, cet outil a une fiche de connexion polarisée (une des lames est plus large que l'autre) et requiert l'utilisation d'une rallonge électrique polarisée. La fiche de l'appareil s'accouple seulement dans un sens avec une rallonge électrique polarisée. Si la fiche ne s'accouple pas complètement avec la rallonge électrique, tournez la fiche. Si la fiche ne s'accouple toujours pas, utilisez une rallonge électrique polarisée. Une rallonge électrique polarisée nécessite une prise murale polarisée. Cette fiche entre seulement d'une seule façon à la prise murale polarisée. Si la fiche ne rentre pas complètement dans la prise murale, tournez la fiche. Si la fiche ne rentre toujours pas, contactez un électricien qualifié afin d'installer une prise murale appropriée. Ne changez pas la fiche de

SYMBOLES


	Afin de réduire les risques de blessure, l'utilisateur doit lire ce mode d'emploi.
	Avertissement
	Double isolation
	Position de délignage
	Position de sciage
	Avant de commencer de travailler avec l'appareil, débranchez l'appareil.
	La turbine poursuit sa rotation après l'arrêt de l'appareil. Attendez que tous les composants de l'appareil soient entièrement arrêtés avant d'y toucher.
	Ne laisser personne aux alentours

ASSEMBLAGE & FONCTIONNEMENT

Action	Schéma
Assemblage	
Montage du manche	Voir Fig. A
Montage de la poignée auxiliaire	Voir Fig. B
Branchement de la rallonge électrique	Voir Fig. C1&C2
Fonctionnement	
Réglage en position d'affilage de bordures	Voir Fig. D1
Alignement	Voir Fig. D2&D3
Ajustement de la profondeur de coupe	Voir Fig. E1&E2
Réglage en position d'excavation de tranchées/aménagement paysager	Voir Fig. F
Processus d'affilage de bordures et d'aménagement paysager	
Retrait et fixation de la lame	Voir Fig. G1&G2

OPERATION INSTRUCTION

REMARQUE: le taille-bordure est un outil majeur et ne doit pas être utilisé simultanément avec d'autres appareils sur le même circuit domestique.


 **AVERTISSEMENT: Assurez-vous qu'il n'y a aucune personne ou aucun animal domestique à moins de 100 pieds.**

ALIGNEMENT

- Avant de démarrer le taille-bordure, alignez-le de sorte que le guide d'alignement repose contre le bord de la surface pavée. Les deux roues arrière doivent se trouver sur la surface pavée quand vous effectuez l'alignement. (Voir Fig. D2)
- Pour éviter un rebond du taille-bordure, pivotez la poignée vers le bas de sorte que

la lame se trouve au-dessus du sol (Voir Fig. D3).

3. Tournez l'interrupteur sur MARCHE et laissez la lame tourner sans déplacer l'outil.
4. Lentement levez la poignée pour abaisser la lame, en trouvant le bord de la surface pavée et commencez à tailler. Ensuite déplacez lentement l'outil vers l'avant le long du bord de la surface pavée, en gardant le guide d'alignement pressé légèrement contre le bord de la chaussée. Chaque saison pour la première taille, il vaut mieux aller de l'avant lentement car l'herbe est épaisse ensuite les coupes ultérieures seront effectuées plus rapidement. Si l'outil ralentit, ramenez-le en arrière de 1 ou 2 pouces jusqu'à ce que la lame retourne à la vitesse normale. Durant la taille des étincelles peuvent être générés lorsque vous heurtez des pierres. C'est normal. Ne tentez pas de tailler quand l'herbe ou la terre est mouillée — pour la sécurité électrique et pour prévenir de boucher la chambre de la lame. Si vous devez tailler dans ces conditions cela peut entraîner que la chambre de la lame devienne boucher, libérez la gâchette, attendez que la lame s'arrête totalement ! DÉBRANCHEZ L'OUTIL ! Ouvrez la porte et retirez le matériel bouché avec un bâton. Continuer de faire fonctionner l'outil dans une condition bouchée va sérieusement endommager le moteur.

 **ATTENTION: Ne tentez pas de déboucher la chambre de la lame en faisant tomber ou en tapant l'outil sur le sol. Ceci peut endommager l'outil. Gardez vos mains éloignées du guide d'alignement et de la lame lors du nettoyage car ils s'usent à un point très tranchant durant la taille.**

PROCESSUS D'EXCAVATION DE TRANCHÉES ET D'AMÉNAGEMENT PAYSAGER.

Le coupe-bordures peut également être utilisé pour l'excavation de tranchées. La lame laisse une petite tranchée pour la mise en place d'un câble souterrain.

En raison de la direction de rotation de la lame, le coupe-bordures peut rebondir vers l'utilisateur

S'il se heurte à un obstacle tel qu'une herbe épaisse ou emmêlée. Tenez fermement la poignée, surtout lorsque la tranchée s'effectue sur des matériaux épais ou emmêlés.

Le coupe-bordures peut être utilisé dans des applications d'aménagement paysager, notamment les coupes des bordures de fleurs et des lits d'arbustes, les coupes autour des arbres et en préparation du retrait du gazon. Avant d'effectuer l'aménagement paysager ou le creusement, inspectez et assurez-vous qu'il n'y a aucun câble, tuyau qui est exposé ou enterré, ou d'autres objets qui peuvent créer des dangers ou interférer avec le fonctionnement du taille-bordure. Réglez la profondeur à seulement ce qui est requis pour le travail.

RETRAIT ET FIXATION DE LA LAME

La lame, équipée de deux entretoises et d'une tête d'écrou hexagonal avec rondelle conique, doit être fixée au coupe-bordures dans l'ordre indiqué. Veuillez vérifier que la lame a été bien montée avant d'utiliser votre taille-bordure. La lame Edge a deux témoins d'usure qui indiquent quand la lame a besoin d'être remplacée. Lorsque la lame présente de petits trous, remplacez-la. (Voir Fig. G1&G2)

ENTREPOSAGE

 **AVERTISSEMENT! Assurez-vous que l'outil est débranché.**

Retirez et nettoyez tous les débris depuis l'extérieur du taille-bordure et de l'intérieur de la protection and avant l'entreposage. Voir Section **MAINTENANCE**. Si nécessaire, le taille-bordure peut être entreposé en le suspendant à un crochet par sa poignée.

 **ATTENTION: NE PAS SUSPENDRE LE TAILLE-BORDURE SUR L'INTERUPTEUR - GÂCHETTE OU LE CORDON D'ALIMENTATION!**

REMARQUE: N'entreposez pas l'outil sur ou à côté d'engrais et de produits chimiques. Un tel entreposage peut entraîner une corrosion rapide.


ENTRETIEN

N'utilisez que du savon doux et un chiffon humide pour nettoyer l'outil. Ne jamais laisser de liquide pénétrer à l'intérieur de l'outil; ne jamais immerger une partie quelconque de l'outil dans un liquide.

IMPORTANT: Pour assurer la SÉCURITÉ et la FIABILITÉ du produit, les réparations, la maintenance et les réglages doivent être effectués par un service après-vente agréé ou d'autres organisations professionnelles d'entretien. N'utilisez que des pièces de rechange identiques. Inspectez et nettoyez complètement votre taille-bordure au début de chaque saison de taille pour une durée de vie plus longue et une meilleure performance.

- 1. MANGO AUXILIAR**
- 2. INTERRUPTOR DE ENCENDIDO/APAGADO**
- 3. SOPORTE DEL CABLE DE EXTENSIÓN**
- 4. PERILLA DE AJUSTE DEL MANGO**
- 5. PERILLA DE BLOQUEO**
- 6. EJE SUPERIOR**
- 7. EJE INFERIOR**
- 8. RUEDA TRASERA**
- 9. GUARDA DE LA CUCHILLA**
- 10. CUCHILLA**
- 11. RUEDA DELANTERA**
- 12. MANDO DE GUÍA DE ORILLA**
- 13. MANDO DE AJUSTE DE PROFUNDIDAD DE CORTE**

DATOS TÉCNICOS

Voltios	120V~60Hz
Potencia Nominal	12A
Velocidad nominal en vacío	4700/min
Doble Aislamiento	 /II
Díámetro de corte	7-1/2plug.(190mm)
Profundidad de corte de la cuchilla	1plug, 1-1/4plug, 1-1/2plug(25mm,32mm,38mm)
Peso de la máquina	14 lbs(6.3kg)


ACCESORIOS

7-1/2plug.(190mm) Cuchilla (WA0034)


1

Le recomendamos que compre todos los accesorios en la tienda donde adquirió la herramienta. Use accesorios de buena calidad una marca bien conocida. Seleccione los que más convengan al trabajo que intenta hacer. Consulte el empaque de los accesorios para obtener más detalles. El personal de la tienda también puede ayudarle y aconsejarle.

INSTRUCCIONES DE SEGURIDAD


 **¡ADVERTENCIA!** Cuando se emplean herramientas eléctricas para jardinería, siempre deben seguirse ciertas pautas básicas de seguridad a fin de reducir el riesgo de incendio, descarga eléctrica o lesión seria, incluyendo las siguientes:

 **¡ADVERTENCIA: LEA TODAS LAS INSTRUCCIONES**

 **¡ADVERTENCIA! El polvo originado por la utilización de herramientas motorizadas contiene químicos que, según el Estado de California, causan cáncer, defectos congénitos y otros daños reproductivos. Algunos ejemplos de esos productos químicos son:**


- El plomo de las pinturas a base de plomo
- La sílice cristalina de los ladrillos, del cemento y de otros productos de albañilería
- El arsénico y el cromo de la madera tratada químicamente

El riesgo que se corre a causa del contacto con esos productos varía según la frecuencia con que usted realice este tipo de trabajos. Con el fin de reducir su exposición a esas sustancias químicas: trabaje en un área bien ventilada; utilice un equipo de seguridad adecuado, tal como una máscara contra el polvo especialmente diseñada para filtrar partículas microscópicas.

 **¡ADVERTENCIA: Este producto podría contener plomo, ftalato y otros químicos identificados por el Estado de California como causantes de cáncer, defectos congénitos y otras lesiones reproductivas. Lávese las manos después de utilizar.**

PARA TODAS LAS HERRAMIENTAS

- 1) Evite ambientes peligrosos.** No utilice las herramientas en lugares húmedos o mojados.
- 2) No trabaje bajo la lluvia.**

- 3) Mantenga alejados a los niños.** Todos los visitantes deben mantenerse a distancia del área de trabajo.
- 4) Vístase apropiadamente.** No use ropas sueltas o alhajas, ya que pueden quedar atrapadas en las piezas móviles. Cuando se trabaja al aire libre se recomienda el uso de guantes de goma y calzado resistente. **Emplee protección adecuada para contener el cabello largo.**
- 5) Utilice gafas de seguridad.** Emplee siempre máscara para la cara o máscara anti-polvo en operaciones donde se emite mucho polvo.
- 6) Utilice la herramienta correcta.** Emplee la herramienta únicamente para la finalidad para la cual fue diseñada.
- 7) La protección de interruptores de circuito con polo a tierra (GFCI) debe ser proporcionada en todos los circuitos o tomacorrientes a ser empleados para herramientas de jardinería.** Se encuentran disponibles receptáculos con protección incorporada GFCI que pueden utilizarse para esta medida de seguridad.
- 8)  ¡ADVERTENCIA!** Para reducir el riesgo de descarga eléctrica, utilice únicamente cables prolongadores diseñados para uso al aire libre, del tipo SW-A, SOW-A, STW-A, STOW-A, SJW-A, SJOW-A, SJTW-A o SJTOW-A. Excepción N° 2: Los tipos SW, SOW, STW, STOW, SJW, SJOW, SJTW. y SJTOW son designaciones alternativas de los tipos SW-A, SOW-A, STW-A, STOW-A, SJW-A, SJOW-A, SJTW-A. y SJTOW-A, respectivamente.
- 9) ¡Cable prolongador!** Cerciórese de que su cable prolongador esté en buenas condiciones. Asegúrese de utilizar un prolongador lo suficientemente resistente como para soportar la corriente que requiere su producto. Un cable pequeño causará una caída de corriente en la línea de voltaje, dando por resultado recalentamiento y pérdida de potencia. La Tabla 1 muestra el calibre correcto a utilizar, dependiendo

de la longitud del cable y del amperaje indicado en la placa de identificación. En caso de duda, utilice el tamaño mayor siguiente. Cuanto menor es el calibre, mayor es la capacidad del cable. A fin de evitar la desconexión del cable de la herramienta del prolongador durante el funcionamiento:

i) Haga un nudo como se muestra en la Figura 1; ó

ii) Utilice una de las bandas de sujeción del enchufe-receptáculo o conectores descritos en este manual.

10) Evite el arranque accidental. No transporte la herramienta enchufada con el dedo en el interruptor. Cerciórese de que el interruptor esté apagado cuando enchufe la máquina.

11) No abuse del cable. Nunca transporte la herramienta por el cable ni tire de éste para desconectarla del tomacorriente. Proteja el cable del calor, el aceite y los bordes agudos.

12) No toque las hojas o los bordes filosos expuestos al tomar o sostener la herramienta.

13) No fuerce la herramienta. Hará un trabajo mejor y más seguro a la velocidad para la cual fue diseñada.

14) No se extralimite. Manténgase firme y con buen equilibrio en todo momento.

15) Permanezca alerta. Ponga siempre atención en lo que está haciendo. Utilice el sentido común. No opere la herramienta cuando esté cansado.

16) Desconecte la herramienta. Cuando no se encuentre en uso, antes de hacer mantenimiento o al cambiar accesorios tales como hojas de corte o similares, desenchufe la herramienta del tomacorriente.

17) Guarde las herramientas que no usa en lugares cerrados. Cuando no se encuentran en uso, las herramientas deben guardarse en un lugar seco, elevado o cerrado con llave, lejos del alcance de los niños.

18) Mantenga la herramienta con cuidado. Conserve los bordes cortantes limpios y bien afilados, a fin de obtener

el mejor rendimiento y reducir los riegos de lesiones. Siga las instrucciones para la lubricación y el cambio de accesorios. Examine periódicamente el cable de la herramienta y si está dañado hágalo reparar por un agente autorizado. Examine periódicamente los prolongadores y sustitúyalos si están dañados. Mantenga los mangos secos, limpios y libres de aceite y grasa.

19) Verifique las piezas dañadas.

Las guardas protectoras u otras partes dañadas deben verificarse cuidadosamente antes de cualquier uso futuro de la herramienta, a fin de determinar si funcionarán correctamente y realizarán la función prevista. Compruebe que las piezas móviles se encuentren alineadas y correctamente ajustadas, que no haya rotura de piezas, de montaje o cualquier otra condición que pueda afectar su funcionamiento. Una guarda protectora u otra pieza que se encuentre dañada debe ser reparada o sustituida correctamente en un centro de servicio autorizado, a menos que en este manual de instrucciones se indique lo contrario.

CONSERVE ESTAS INSTRUCCIONES.

PARA TODAS LAS HERRAMIENTAS DE DOBLE AISLACIÓN

1) Piezas de repuesto.

Toda vez que efectúe un servicio técnico emplee piezas de repuesto idénticas.

2) Conexiones polarizadas de la herramienta.

Para reducir el riesgo de descarga eléctrica, esta herramienta posee un enchufe polarizado (un perno es más ancho que el otro) y requerirá el uso de un cable prolongador polarizado. El enchufe de la herramienta se inserta en el cable prolongador polarizado de un único modo. Si no encaja completamente, invierta el enchufe. Si aún así no se inserta, adquiera un prolongador polarizado adecuado. Este tipo de prolongadores requiere el uso de un tomacorriente polarizado. El enchufe del prolongador se inserta en el tomacorriente polarizado de un único modo. Si no encaja completamente, invierta el enchufe. Si aún así no se inserta, acuda a un electricista calificado para instalar el tomacorriente apropiado. Bajo ningún concepto cambie el enchufe del equipo ni el enchufe o el receptáculo del prolongador.

CONSERVE ESTAS INSTRUCCIONES.

REGLAS DE SEGURIDAD ADICIONALES PARA BORDEADORAS DE CÉSPED

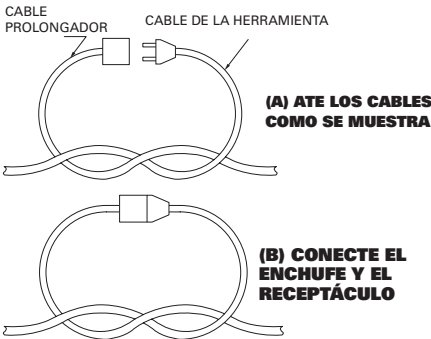
1. Mantenga las guardas en su ubicación y en condiciones de funcionamiento.
2. Mantenga afiladas las hojas de corte.
3. Mantenga las manos y pies alejados del área de corte.

Tabla 1
Calibre mínimo para los cables prolongadores









Voltaje	Longitud total del cable en metros			
	120V	25	50	100
240V	50	100	200	300
Amperaje Mayor de - No Mayor de	AWG			
	0-6	18	16	16
6-10	18	16	14	12
10-12	16	16	14	12
12-16	14	12	No recomendado	

NOTA-Sólo se necesitan incluir las partes aplicables de la Tabla. Por ejemplo, un producto de 120 voltios no necesita incluir el encabezado de 240 voltios

Figura 1
Método para asegurar el cable prolongador



SYMBOLS

	Para reducir el riesgo de lesiones, el usuario deberá leer el manual de instrucciones
	Advertencia
	Doble aislamiento
	Posición de bordeado
	Posición de zanjado
	Antes de realizar cualquier trabajo en la máquina, extraiga el enchufe de alimentación del tomacorriente.
	El impulsor continúa girando después de apagada la máquina. Espere a que todos los componentes se hayan parado completamente antes de tocarlos.
	Mantenga alejadas a las personas que se encuentran cerca.

ENSAMBLE & FUNCIONAMIENTO

Acción	Figura
Ensamble	
Armado del Eje	Consulte la Figura A
Armado del mango auxiliar	Consulte la Figura B
Colocación del cable de extensión	Consulte la Figura C1&C2
Funcionamiento	
Ajuste a la posición de bord	Consulte la Figura D1
Bordeado	Consulte la Figura D2&D3
Ajuste de profundidad de corte	Consulte la Figura E1&E2
Ajuste a posición de trinchera/paisajismo	Consulte la Figura F
Operación de zanjas y jardinería	
Remover y colocar la cuchilla	Consulte la Figura G1&G2

INSTRUCCIONES DE USO

NOTA: Su orilladora es un aparato mayor y no debe operarse simultáneamente con otros aparatos mayores en el mismo circuito doméstico.


ADVERTENCIA: Asegúrese que otras personas y mascotas estén alejadas por lo menos a 30 metros.

ORILLADO

1. Antes de encender la orilladora, coloque la herramienta de manera que la guía para bordes descansa contra la orilla de la superficie pavimentada. Ambas ruedas traseras deben quedar sobre la superficie

- pavimentada al orillar. (Figura D2)
2. Para evitar un contragolpe por parte de la orilladora, incline el mango hacia abajo de manera que la cuchilla quede sobre la tierra (Figura D3).
 3. ENCIENDA el interruptor y permita que la cuchilla gire sin mover la herramienta.
 4. Levante lentamente el mango para bajar la cuchilla, encontrando la orilla de la superficie pavimentada y comience a orillar. Mueva a continuación la herramienta lentamente hacia adelante a lo largo de la superficie pavimentada, conservando la guía para bordes presionando ligeramente contra la orilla del pavimento.

Para el primer orillado de cada temporada, es mejor moverse hacia adelante lentamente debido a que el pasto es más grueso entonces. Los orillados subsiguientes se completarán más rápidamente. Si la herramienta funciona más lento, regrese una o dos pulgadas hasta que la cuchilla alcance la velocidad normal. Durante el orillado se pueden generar algunas chispas cuando la cuchilla golpea algunas piedras. Esto es normal. No intente orillar cuando el pasto o el suelo estén húmedos o mojados—por seguridad eléctrica y para evitar que la cámara de la cuchilla se bloquee. Si debe trabajar en condiciones que ocasionen que la cámara de la cuchilla se bloquee, DESCONECTE la herramienta y retire el material atascado con una vara. Continuar operando la herramienta con la cámara bloqueada sobrecargará seriamente el motor.

 **PRECAUCION: No intente destapar la cámara de la cuchilla dejando caer o golpeando la herramienta en el suelo. Esto puede dañar la unidad. Conserve sus manos fuera de la zona de la guía de bordes y la cuchilla cuando limpie, ya que estas partes se desgastan a un punto muy afilado con el orillado.**

OPERACIÓN DE ZANJAS Y JARDINERÍA

La Bordeadora también se puede utilizar para zanjas. La cuchilla dejará una pequeña zanja

para colocar el cableado subterráneo. Debido a la dirección de la rotación de la cuchilla si golpea un obstáculo como hierba espesa y enmarañada, la Bordeadora puede dar un contragolpe hacia el operador. Agarre firmemente el mango, especialmente cuando las zanjas son espesas o con material enmarañado.

La Bordeadora puede ser utilizada en aplicaciones de jardinería, incluyendo el corte a lo largo de los bordes de arbustos y macizos de flores, alrededor de los árboles y el corte para la remoción de tierra.

Antes de abrir zanjas, inspeccione y compruebe que no hay cables expuestos o enterrados, tubos u otros objetos que puedan crear un peligro o interferir con el funcionamiento de la Bordeadora. Ajuste la profundidad sólo a lo que es requerido para el trabajo.

REMOVER Y COLOCAR LA CUCHILLA

La cuchilla, dos separadores y la tuerca de cabeza hexagonal con arandela cónica deben ser conectados a su Bordeadora en el orden que se muestra. Compruebe que la cuchilla ha sido correctamente instalada antes de usarla. La cuchilla de la Bordeadora tiene dos indicadores de desgaste que le muestra cuando la cuchilla original tiene que ser reemplazada. Cuando la cuchilla tiene pequeños orificios, debe ser reemplazada. (Figura G1&G2)

GUARDADO

 **¡ADVERTENCIA! Asegúrese que la herramienta esté desconectada.**

Retire y limpie cualquier desecho del exterior de la orilladora y del interior de la guarda antes de guardarla. Consulte la sección de **MANTENIMIENTO**. En caso necesario, la orilladora debe guardarse colgando el mango de un gancho.

 **PRECAUCION: ¡NO CUELGUE LA ORILLADORA DEL INTERRUPTOR NI DEL CABLE DE ALIMENTACION!**

NOTA: No guarde la herramienta cerca de fertilizantes y otros productos químicos, ya que hacerlo ocasionará una rápida corrosión.

MANTENIMIENTO

Utilice únicamente jabón suave y un trapo húmedo para limpiar la herramienta. No permita nunca que lleguen líquidos al interior de la herramienta, ni sumerja ninguna parte en ningún líquido.

IMPORTANTE: Para garantizar la SEGURIDAD y la CONFIABILIDAD del producto, las reparaciones, el mantenimiento y los ajustes deben ser realizados por centros de servicio autorizados u otras organizaciones de servicio calificadas, que siempre utilicen partes de repuesto idénticas. Inspecciones y limpie a conciencia su orilladora al principio de cada temporada de orillado para obtener mayor durabilidad y mejor rendimiento.

WORX
it's your nature

www.worx.com

Copyright © 2014, Positec. All Rights Reserved.
2GLE01DPK11000A0